

Negative to Positive Conversion Made Simple with TPS61089 Boost Converter

Helen Chen

ABSTRACT

Some applications need to convert a negative input voltage to a positive output voltage. This application note is a simple, cost effective and high efficiency solution for a -5 V to +5 V conversion.

Contents

1	Introduction	2
2	Design Process	2

List of Figures

1	TPS61088Q1EVM-037 Schematic	2
2	Efficiency vs Current	3
3	Line Regulation Voltage	3
4	Load Regulation Voltage.....	3

List of Tables

Trademarks

All trademarks are the property of their respective owners.

1 Introduction

The TPS61089 is a fully-integrated synchronous boost converter with a 19-mΩ main power switch and a 27-mΩ rectifier switch. The device provides a high efficiency and small size power solution for portable equipment. The TPS61089 features wide input voltage range from 2.7 V to 12 V to support applications powered with single cell or two cell Lithium ion/polymer batteries. The TPS61089 has 7-A continuous switch current capability and provides output voltage up to 12.6 V.

This application note is a simple and low cost solution for a -4 V to -6 V input, 5 V output and 2 A load current application by using the TPS61089 boost converter.

2 Design Process

2.1 Schematic

Figure 1 shows the schematic for this application note. The ground of the IC is referenced to the negative input voltage. To obtain a positive output, a level shifter is implemented. It uses a current mirror built with two inexpensive PNP transistors to regulate the output voltage. For best performance and tighter regulation accuracy, a matched pair can be used so that the two VBE are cancelled out. The current flowing through R12 is $V_{REF}/R12$, so the TPS61089 output voltage is $V_{REF} \times R10/R12$.

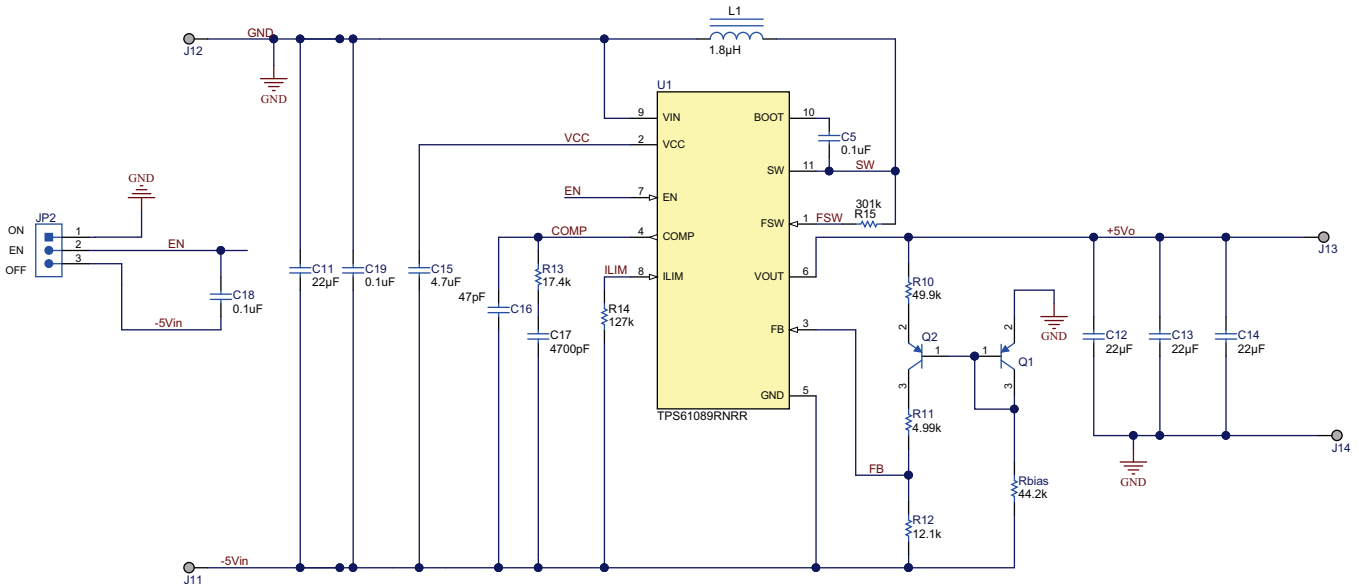


Figure 1. TPS61089Q1EVM-037 Schematic

2.2 Parameter Calculation

The emitter of Q1 is connected to the ground, the base of both transistors is one diode drop below ground. So the current flowing through Q2 can be derived by Equation 1:

$$I_{C_Q2} = \frac{V_{OUT} + V_{BE_Q2} - V_{BE_Q1}}{R10} = \frac{V_{REF}}{R12} = 0.1mA \tag{1}$$

Where:

- V_{OUT} is the output voltage, $V_{OUT} = 5\text{ V}$
- V_{BE_Q1} and V_{BE_Q2} are the base to emitter voltage drop of Q1 and Q2
- V_{REF} is the reference voltage of TPS61089

If the two transistors are perfectly matched to each other, then V_{BE_Q1} equals to V_{BE_Q2} . The output voltage is calculated by Equation 2:

$$V_{OUT} = \frac{V_{REF} \times R10}{R12} \tag{2}$$

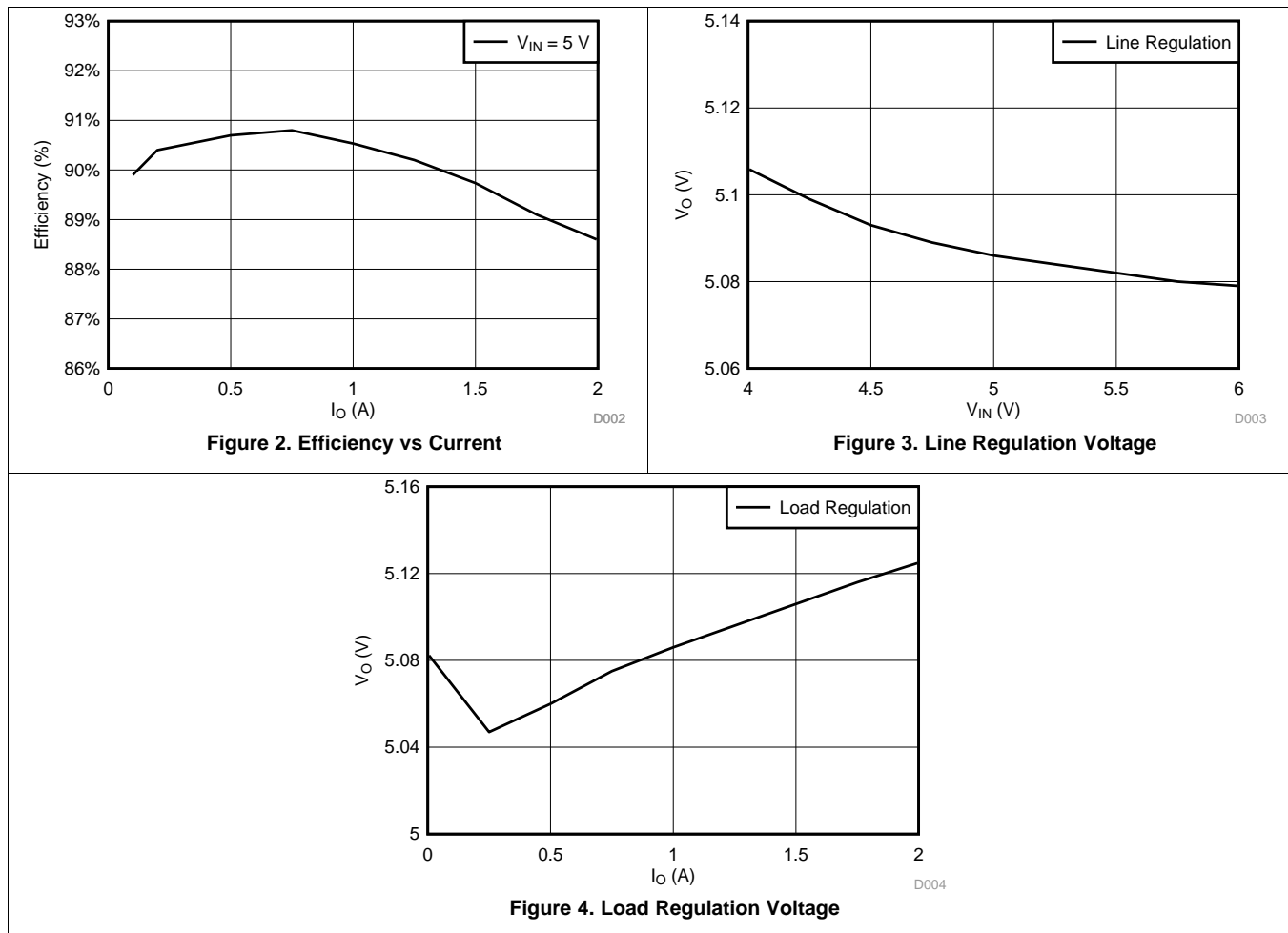
The V_{BE} of the transistor depends on the collector current. Changing the collector current makes the V_{BE} changes accordingly. If the collector current of Q1 equals to the collector current of Q2, then the V_{BE} of the two transistors are well matched.

$$I_{C_Q1} = \frac{V_{IN} + V_{BE}}{R_{BIAS}} = \frac{-5 + 0.6}{R_{BIAS}} = 0.1mA \tag{3}$$

When input voltage is -5 V, R_{BIAS} is chosen to be 44.2 k Ω .

2.3 Test Result

Figure 2 through Figure 4 shows the efficiency, line regulation and load regulation curves for this application note.



IMPORTANT NOTICE AND DISCLAIMER

TI PROVIDES TECHNICAL AND RELIABILITY DATA (INCLUDING DATASHEETS), DESIGN RESOURCES (INCLUDING REFERENCE DESIGNS), APPLICATION OR OTHER DESIGN ADVICE, WEB TOOLS, SAFETY INFORMATION, AND OTHER RESOURCES "AS IS" AND WITH ALL FAULTS, AND DISCLAIMS ALL WARRANTIES, EXPRESS AND IMPLIED, INCLUDING WITHOUT LIMITATION ANY IMPLIED WARRANTIES OF MERCHANTABILITY, FITNESS FOR A PARTICULAR PURPOSE OR NON-INFRINGEMENT OF THIRD PARTY INTELLECTUAL PROPERTY RIGHTS.

These resources are intended for skilled developers designing with TI products. You are solely responsible for (1) selecting the appropriate TI products for your application, (2) designing, validating and testing your application, and (3) ensuring your application meets applicable standards, and any other safety, security, or other requirements. These resources are subject to change without notice. TI grants you permission to use these resources only for development of an application that uses the TI products described in the resource. Other reproduction and display of these resources is prohibited. No license is granted to any other TI intellectual property right or to any third party intellectual property right. TI disclaims responsibility for, and you will fully indemnify TI and its representatives against, any claims, damages, costs, losses, and liabilities arising out of your use of these resources.

TI's products are provided subject to TI's Terms of Sale (www.ti.com/legal/termsofsale.html) or other applicable terms available either on ti.com or provided in conjunction with such TI products. TI's provision of these resources does not expand or otherwise alter TI's applicable warranties or warranty disclaimers for TI products.

Mailing Address: Texas Instruments, Post Office Box 655303, Dallas, Texas 75265
Copyright © 2018, Texas Instruments Incorporated