



## ABSTRACT

This user's guide describes the characteristics, operation, and use of the TPS22992 adjustable rise time load switch Evaluation Module (EVM). This document contains the complete EVM schematic diagram, printed-circuit board layouts, bill of materials, and necessary instructions on how to operate the EVM.

## Table of Contents

<b>1 Introduction</b> .....	1
1.1 Description.....	1
1.2 Features.....	1
<b>2 Electrical Performance</b> .....	2
<b>3 Schematic</b> .....	2
<b>4 PCB Layout</b> .....	2
4.1 Setup.....	3
<b>5 Operation</b> .....	4
<b>6 Test Configurations</b> .....	4
6.1 On-Resistance ( $R_{ON}$ ) Test Setup.....	4
6.2 Rise Time Test Setup.....	4
<b>7 Bill of Materials (BOM)</b> .....	5

## Trademarks

All trademarks are the property of their respective owners.

## 1 Introduction

The TPS22992 EVM is a two-layer PCB containing the TPS22992 load switch device. The VIN and VOUT connections to the device and the PCB layout routing are capable of handling high continuous currents and provide a low-resistance pathway into and out of the device under test. Test point connections allow the EVM user to control the device with user-defined test conditions and make accurate  $R_{ON}$  measurements.

### 1.1 Description

Table 1 lists a short description of the TPS22992 load switch performance specification. For additional details on load switch performance, application notes, and data sheet, see [www.ti.com/loadswitch](http://www.ti.com/loadswitch).

**Table 1-1. TPS22992 Characteristics**

EVM	Device	Rise Time Typical ( $\mu$ s)	$V_{BIAS}$ (V)	$V_{IN}$ (V)	Enable (ON Pin)	Quick Output Discharge
PSIL151	TPS22992	Adjustable	1.5 V to 5.5 V	0.1 V to 5.5 V	Active High	Adjustable

### 1.2 Features

This EVM has the following features:

- $V_{IN}$  input voltage range: 0.1 V to 5.5 V
- Access to the VIN, VOUT, ON, PG, GND, and QOD pins of the TPS22992 load switch
- Onboard CIN and COUT capacitors
- Adjustable rise timing

## 2 Electrical Performance

See the [TPS22992x 5 V, 8.7-mΩ, 6-A Load Switch with Adjustable Rise Time data sheet](#) for detailed electrical characteristics of the TPS22992.

## 3 Schematic

Figure 1 illustrates the TPS22992EVM schematic.

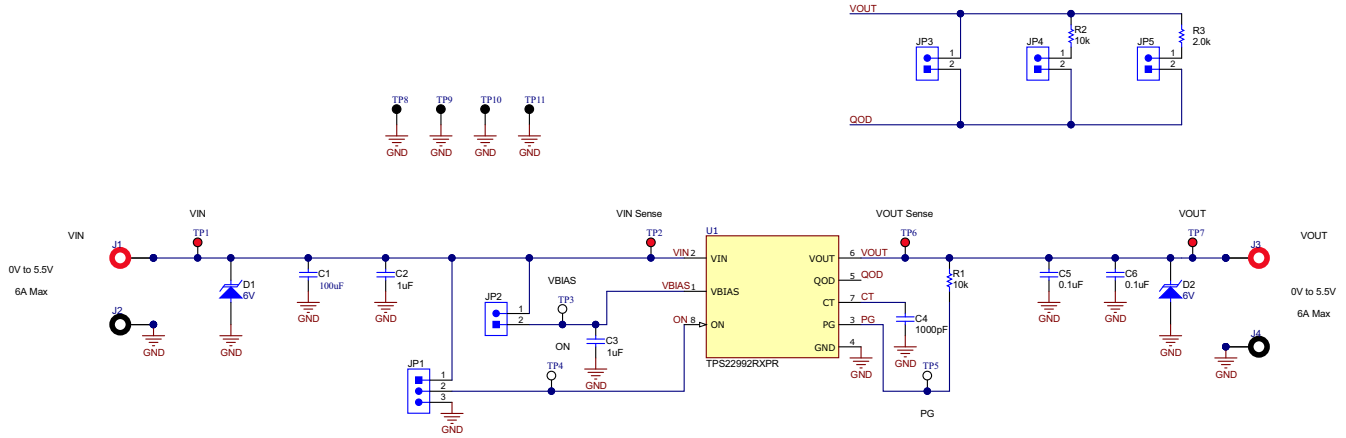


Figure 3-1. TPS22992EVM Schematic

## 4 PCB Layout

Figure 2 and Figure3 show the PCB layout images.

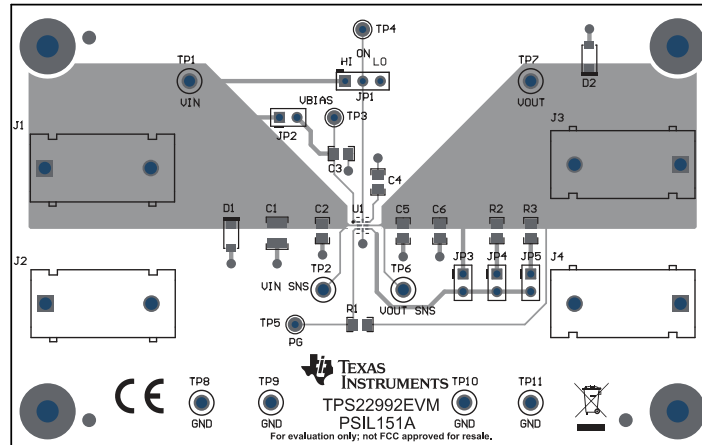


Figure 4-1. TPS22992EVM Top Layout

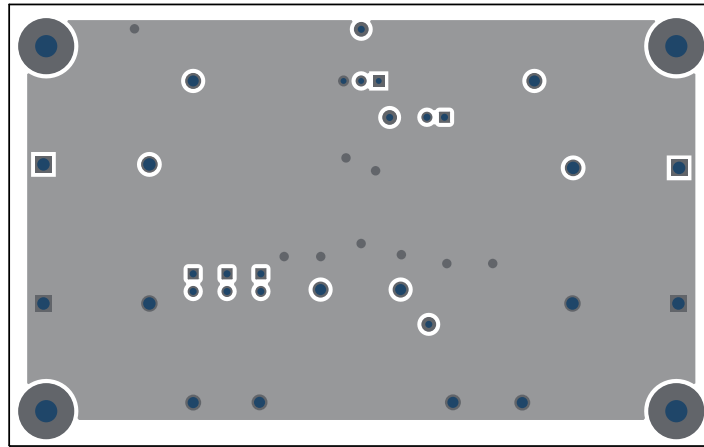


Figure 4-2. TPS22992EVM Bottom Layout

### 4.1 Setup

This section describes the jumpers and connectors on the EVM as well as how to properly connect, set up and use the EVM. [Table 1](#) describes the input and output connectors and jumpers. [Table 2](#) describes the different test points and functionality. [Table 3](#) describes the jumper functionality and configurations.

**Table 4-1. TPS22992EVM Input and Output Connector Functionality**

Input	Connector and Test Point	Label	Description
VIN	J1	J1	Input banana connector for VIN
	TP1	VIN	Input test point for VIN
	TP3	VIN SNS	Sense test point for VIN
VOUT	J2	J3	Output banana connector for VOUT
	TP7	VOUT	Output test point for VOUT
	TP6	VOUT SNS	Sense test point for VOUT
GND	TP8, TP9, TP10, TP11	GND	Test point for GND
	J2, J4	J2, J4	Banana connector for GND

**Table 4-2. TPS22992EVM Test Point Description**

Pin	Test Point	Label	Description
ON	TP4	ON	Enable signal test point
VBIAS	TP3	VBIAS	Bias Voltage test point
PG	TP5	PG	Power good signal test point

**Table 4-3. TPS22992EVM Jumper Configuration**

Input	Jumper	Label	Description
VIN	JP2	VBIAS	BIAS voltage pull up to VIN
	JP1	ON	ON-pin enable signal <ul style="list-style-type: none"> <li>Position 1 and 2 sets ON-pin HI</li> <li>Position 2 and 3 sets ON-pin LO</li> </ul>
VOUT	JP3, JP4, JP5	JP3, JP4, JP5	Quick output discharge setting <ul style="list-style-type: none"> <li>JP3 Sets device to use internal QOD</li> <li>JP4 sets device to use internal QOD + 10 k<math>\Omega</math></li> <li>JP5 sets device to use internal QOD + 2 k<math>\Omega</math></li> </ul>

## 5 Operation

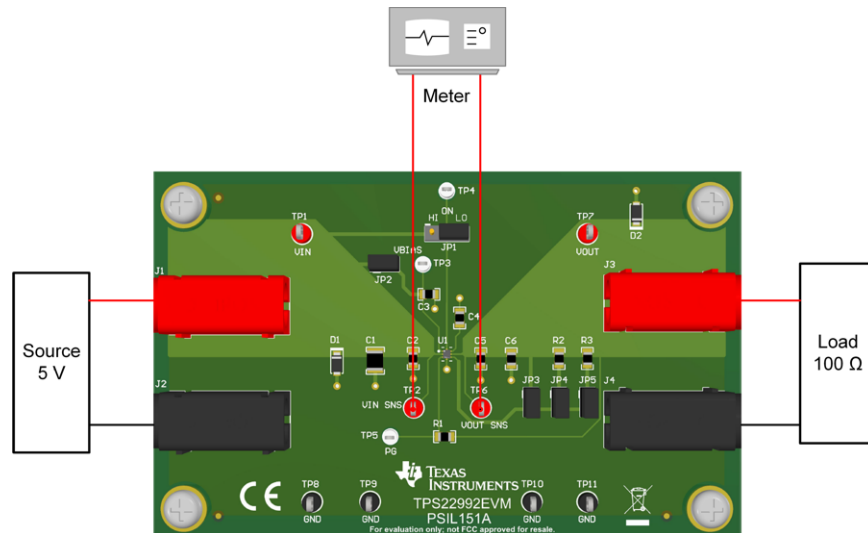
Connect the VIN power supply to the J1 terminal. The input voltage range of the TPS22992EVM is 0.1 V to 5.5 V. Connect an acceptable bias voltage to TP3 or populate JP2 to use VIN as VBIAS. The bias voltage range of TPS22992EVM is 1.5 V to 5.5 V. Note that VIN cannot be greater than VBIAS for correct operation of the device.

External output loads can be applied to the switch by using the J2 terminal. Adjust the quick output discharge on the TPS22992EVM if required. When the ON pin is asserted high, the output of the TPS22992 is enabled.

## 6 Test Configurations

### 6.1 On-Resistance ( $R_{on}$ ) Test Setup

Figure 4 shows the typical setup for measuring on-resistance. The voltage drop across the switch is measured using the sense connections, and this can be divided by the load current to calculate the  $R_{on}$  resistance.


**Figure 6-1.  $R_{on}$  Test Setup**

### 6.2 Rise Time Test Setup

Figure 5 shows the test setup for measuring the rise time of the TPS22992. Apply a squarewave to the ON pin of the switch using a function generator and apply a voltage to the VIN terminal using a power supply. Observe the waveform at VOUT Sense with an oscilloscope to measure the slew rate and rise time of the switch with a given input voltage.

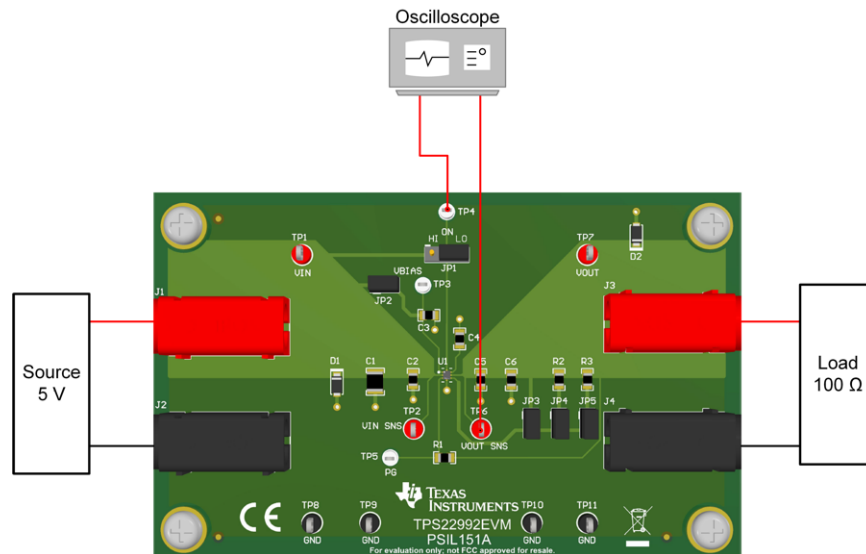


Figure 6-2. Rise Time Test Setup

## 7 Bill of Materials (BOM)

Table 7-1 lists the TPS22992EVM BOM.

Table 7-1. TPS22992EVM BOM

Designator	Quantity	Value	Description	Package Reference	Part Number	Manufacturer
!PCB	1		Printed Circuit Board		PSIL151	Any
C1	1	100uF	CAP, CERM, 100 uF, 16 V, +/- 20%, X5R, 1210	1210	C1210C107M4PA C7800	Kemet
C2, C3	2	1uF	CAP, CERM, 1 uF, 50 V, +/- 10%, X7R, 0805	0805	C0805C105K5RA CTU	Kemet
C4	1	1000pF	CAP, CERM, 1000 pF, 50 V, +/- 5%, X7R, 0805	0805	C0805C102J5RA CTU	Kemet
C5, C6	2	0.1uF	CAP, CERM, 0.1 uF, 25 V, +/- 5%, X7R, 0805	0805	08053C104JAT2A	AVX
D1, D2	2	6V	Diode, TVS, Uni, 6 V, 10.3 Vc, SOD-123FL	SOD-123FL	SMF6A	Littelfuse
FID1, FID2, FID3	3		Fiducial mark. There is nothing to buy or mount.	N/A	N/A	N/A
H1, H2, H3, H4	4		Machine Screw, Round, #4-40 x 1/4, Nylon, Phillips panhead	Screw	NY PMS 440 0025 PH	B&F Fastener Supply
H5, H6, H7, H8	4		Standoff, Hex, 0.5"L #4-40 Nylon	Standoff	1902C	Keystone

**Table 7-1. TPS22992EVM BOM (continued)**

Designator	Quantity	Value	Description	Package Reference	Part Number	Manufacturer
J1, J3	2		Standard Banana Jack, insulated, 10A, red	571-0500	571-0500	DEM Manufacturing
J2, J4	2		Standard Banana Jack, insulated, 10A, black	571-0100	571-0100	DEM Manufacturing
JP1	1		Header, 100mil, 3x1, TH	Header, 3x1, 100mil, TH	800-10-003-10-001000	Mill-Max
JP2, JP3, JP4, JP5	4		Header, 100mil, 2x1, Tin, TH	Header, 2 PIN, 100mil, Tin	PEC02SAAN	Sullins Connector Solutions
R1, R2	2	10k	RES, 10 k, 5%, 0.125 W, 0805	0805	ERJ-6GEYJ103V	Panasonic
R3	1	2.0k	RES, 2.0 k, 5%, 0.125 W, 0805	0805	ERJ-6GEYJ202V	Panasonic
SH-J1, SH-J2, SH-J3, SH-J4, SH-J5	5	1x2	Shunt, 100mil, Flash Gold, Black	Closed Top 100mil Shunt	SPC02SYAN	Sullins Connector Solutions
TP1, TP2, TP6, TP7	4		Test Point, Multipurpose, Red, TH	Red Multipurpose Testpoint	5010	Keystone
TP3, TP4, TP5	3		Test Point, Miniature, White, TH	White Miniature Testpoint	5002	Keystone
TP8, TP9, TP10, TP11	4		Test Point, Multipurpose, Black, TH	Black Multipurpose Testpoint	5011	Keystone
U1	1		5V, 8.7mΩ, 6A Load Switch with Adjustable Rise Time	WQFN-HR-8	TPS22992RXPR	Texas Instruments

## IMPORTANT NOTICE AND DISCLAIMER

TI PROVIDES TECHNICAL AND RELIABILITY DATA (INCLUDING DATA SHEETS), DESIGN RESOURCES (INCLUDING REFERENCE DESIGNS), APPLICATION OR OTHER DESIGN ADVICE, WEB TOOLS, SAFETY INFORMATION, AND OTHER RESOURCES "AS IS" AND WITH ALL FAULTS, AND DISCLAIMS ALL WARRANTIES, EXPRESS AND IMPLIED, INCLUDING WITHOUT LIMITATION ANY IMPLIED WARRANTIES OF MERCHANTABILITY, FITNESS FOR A PARTICULAR PURPOSE OR NON-INFRINGEMENT OF THIRD PARTY INTELLECTUAL PROPERTY RIGHTS.

These resources are intended for skilled developers designing with TI products. You are solely responsible for (1) selecting the appropriate TI products for your application, (2) designing, validating and testing your application, and (3) ensuring your application meets applicable standards, and any other safety, security, regulatory or other requirements.

These resources are subject to change without notice. TI grants you permission to use these resources only for development of an application that uses the TI products described in the resource. Other reproduction and display of these resources is prohibited. No license is granted to any other TI intellectual property right or to any third party intellectual property right. TI disclaims responsibility for, and you will fully indemnify TI and its representatives against, any claims, damages, costs, losses, and liabilities arising out of your use of these resources.

TI's products are provided subject to [TI's Terms of Sale](#) or other applicable terms available either on [ti.com](http://ti.com) or provided in conjunction with such TI products. TI's provision of these resources does not expand or otherwise alter TI's applicable warranties or warranty disclaimers for TI products.

TI objects to and rejects any additional or different terms you may have proposed.

Mailing Address: Texas Instruments, Post Office Box 655303, Dallas, Texas 75265  
Copyright © 2022, Texas Instruments Incorporated