

LDO white-LED driver TPS7510x provides incredibly small solution size

By William Hadden (Email: willhadden@ti.com)

Applications Engineer, High Performance Analog, Low Power dc/dc

Introduction

Use of white-LED drivers has increased in recent years due to the popularity of color LCD screens on most portable electronic equipment. The white backlight required to bring out the color in these screens is most often provided by white LEDs. In applications powered by a one-cell Li-ion battery, charge pumps or boost converters have been required to drive these LEDs because of their high forward voltage (4 V typical). As white-LED technology has advanced, the forward voltage required has significantly dropped. Today, white LEDs such as Nichia's NHSW046 or NSSW100C are available with a typical forward voltage of less than 3 V. The lower forward voltage eliminates the need for voltage boosting, permitting the use of linear regulation topologies that reduce costs and solution size and increase efficiency across the battery-discharge range. Figure 1 compares the efficiency and battery voltage of the Texas Instruments TPS7510x and a typical series LED boost converter.

TPS7510x family

The TPS7510x low-dropout (LDO) matching LED current source is a highly integrated white-LED driver optimized for low-power keypad and navigation pad LED backlighting applications. The device provides a constant, matched current for up to four unmatched LEDs organized into two banks of two LEDs, each in a common-cathode topology. Inputting a PWM signal on each EN pin allows brightness to be varied from off to full brightness. Each bank has independent enable control, but all four channels are concurrently current-matched. The input supply range is ideally suited to single-cell Li-ion battery supplies and provides up to 25 mA of current per LED over the entire input range. The typical 70-mV dropout voltage allows the circuit to drive the white LEDs from a standard one-cell Li-ion battery. No internal switching signals are used, eliminating troublesome EMI. The TPS7510x is offered in an ultra-small 9-ball, 0.4-mm ball-pitch wafer chip scale package

Figure 1. Efficiency versus battery voltage of TPS7510x and typical LED boost converter

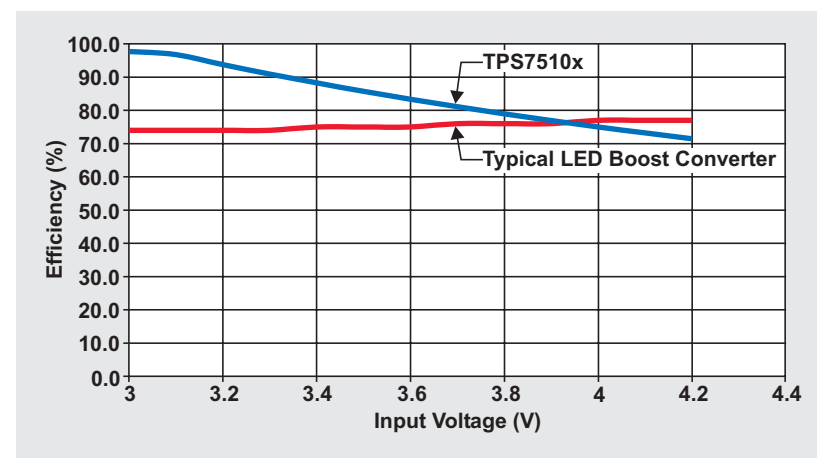
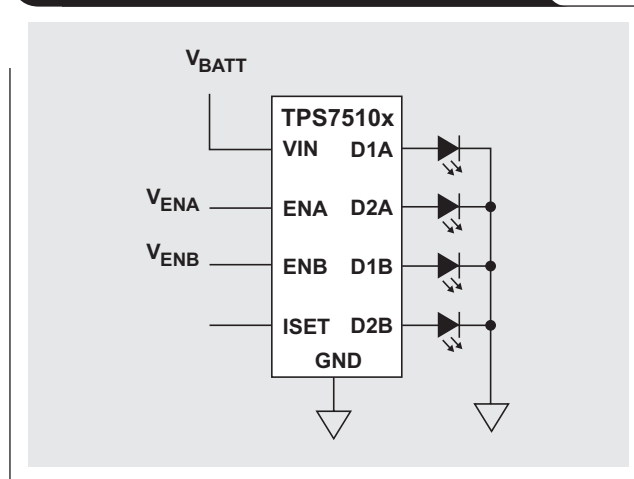


Figure 2. TPS75105 LDO white-LED driver



(WCSP) and a 3 × 3-mm QFN package. The package size coupled with the high integration yields a very small solution footprint. Figure 2 shows the typical operating circuit for the TPS7510x.

The output of each LED is regulated independently, and all of the outputs are typically within 2% of each other. The ISET input allows the user to program any LED current up to 25 mA. If ISET is unconnected, the TPS7510x uses the factory default current setting. The default current settings available in the general catalog are 3 mA (TPS75103) and 5 mA (TPS75105). Default settings are available between 1 and 10 mA in 1-mA increments but may require minimum order quantities.

The TPS7510x does not require input or output capacitors for stability. If the default current setting is used, no external parts other than the LEDs are required. This results in a solution size of less than 1.5 mm². A photograph of the EVM layout, including pads for the optional set resistor and input capacitor, is shown in Figure 3. The solution size for this layout with the extra components is still only 25 mm².

Conclusion

Historically, charge pumps or inductor boost converters have been used to drive white LEDs in most backlighting applications. As the LED technology has improved, forward voltages have dropped. In many low-power applications, the LED forward voltage is less than 3 V. In these applications, the TPS7510x LDO white-LED driver IC provides an excellent solution. The LDO topology eliminates EMI and, with no required external components and the ultrasmall WCSP or QFN package, the total solution size is drastically reduced to just 1.5 mm² or 9 mm², respectively.

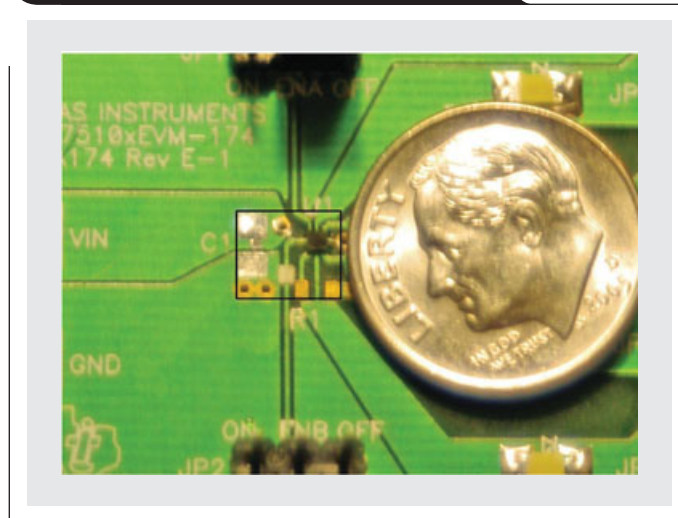
Related Web sites

power.ti.com

www.ti.com/sc/device/TPS75103

www.ti.com/sc/device/TPS75105

Figure 3. EVM solution layout (25 mm²)



IMPORTANT NOTICE

Texas Instruments Incorporated and its subsidiaries (TI) reserve the right to make corrections, modifications, enhancements, improvements, and other changes to its products and services at any time and to discontinue any product or service without notice. Customers should obtain the latest relevant information before placing orders and should verify that such information is current and complete. All products are sold subject to TI's terms and conditions of sale supplied at the time of order acknowledgment.

TI warrants performance of its hardware products to the specifications applicable at the time of sale in accordance with TI's standard warranty. Testing and other quality control techniques are used to the extent TI deems necessary to support this warranty. Except where mandated by government requirements, testing of all parameters of each product is not necessarily performed.

TI assumes no liability for applications assistance or customer product design. Customers are responsible for their products and applications using TI components. To minimize the risks associated with customer products and applications, customers should provide adequate design and operating safeguards.

TI does not warrant or represent that any license, either express or implied, is granted under any TI patent right, copyright, mask work right, or other TI intellectual property right relating to any combination, machine, or process in which TI products or services are used. Information published by TI regarding third-party products or services does not constitute a license from TI to use such products or services or a warranty or endorsement thereof. Use of such information may require a license from a third party under the patents or other intellectual property of the third party, or a license from TI under the patents or other intellectual property of TI.

Reproduction of information in TI data books or data sheets is permissible only if reproduction is without alteration and is accompanied by all associated warranties, conditions, limitations, and notices. Reproduction of this information with alteration is an unfair and deceptive business practice. TI is not responsible or liable for such altered documentation.

Resale of TI products or services with statements different from or beyond the parameters stated by TI for that product or service voids all express and any implied warranties for the associated TI product or service and is an unfair and deceptive business practice. TI is not responsible or liable for any such statements.

Following are URLs where you can obtain information on other Texas Instruments products and application solutions:

Products

Amplifiers	amplifier.ti.com
Data Converters	dataconverter.ti.com
DSP	dsp.ti.com
Interface	interface.ti.com
Logic	logic.ti.com
Power Management	power.ti.com
Microcontrollers	microcontroller.ti.com

Applications

Audio	www.ti.com/audio
Automotive	www.ti.com/automotive
Broadband	www.ti.com/broadband
Digital control	www.ti.com/digitalcontrol
Military	www.ti.com/military
Optical Networking	www.ti.com/opticalnetwork
Security	www.ti.com/security
Telephony	www.ti.com/telephony
Video & Imaging	www.ti.com/video
Wireless	www.ti.com/wireless

TI Worldwide Technical Support

Internet

TI Semiconductor Product Information Center Home Page
support.ti.com

TI Semiconductor KnowledgeBase Home Page
support.ti.com/sc/knowledgebase

Product Information Centers

Americas

Phone	+1(972) 644-5580	Fax	+1(972) 927-6377
Internet/Email	support.ti.com/sc/pic/americas.htm		

Europe, Middle East, and Africa

Phone			
Belgium (English)	+32 (0) 27 45 54 32	Netherlands (English)	+31 (0) 546 87 95 45
Finland (English)	+358 (0) 9 25173948	Russia	+7 (4) 95 98 10 701
France	+33 (0) 1 30 70 11 64	Spain	+34 902 35 40 28
Germany	+49 (0) 8161 80 33 11	Sweden (English)	+46 (0) 8587 555 22
Israel (English)	180 949 0107	United Kingdom	+44 (0) 1604 66 33 99
Italy	800 79 11 37		
Fax	+(49) (0) 8161 80 2045		
Internet	support.ti.com/sc/pic/euro.htm		

Japan

Fax			
International	+81-3-3344-5317	Domestic	0120-81-0036
Internet/Email			
International	support.ti.com/sc/pic/japan.htm		
Domestic	www.tij.co.jp/pic		

Asia

Phone			
International	+886-2-23786800		
Domestic	Toll-Free Number		
Australia	1-800-999-084	Malaysia	1-800-80-3973
China	800-820-8682	New Zealand	0800-446-934
Hong Kong	800-96-5941	Philippines	1-800-765-7404
India	+91-80-41381665 (Toll)	Singapore	800-886-1028
Indonesia	001-803-8861-1006	Taiwan	0800-006800
Korea	080-551-2804	Thailand	001-800-886-0010
Fax	+886-2-2378-6808	Email	tiasia@ti.com
Internet	support.ti.com/sc/pic/asia.htm		
			ti-china@ti.com

C010307

Safe Harbor Statement: This publication may contain forward-looking statements that involve a number of risks and uncertainties. These "forward-looking statements" are intended to qualify for the safe harbor from liability established by the Private Securities Litigation Reform Act of 1995. These forward-looking statements generally can be identified by phrases such as "TI or its management believes," "expects," "anticipates," "foresees," "forecasts," "estimates" or other words or phrases of similar import. Similarly, such statements herein that describe the company's products, business strategy, outlook, objectives, plans, intentions or goals also are forward-looking statements. All such forward-looking statements are subject to certain risks and uncertainties that could cause actual results to differ materially from those in forward-looking statements. Please refer to TI's most recent Form 10-K for more information on the risks and uncertainties that could materially affect future results of operations. We disclaim any intention or obligation to update any forward-looking statements as a result of developments occurring after the date of this publication.

Trademarks: All trademarks are the property of their respective owners.

Mailing Address: Texas Instruments
Post Office Box 655303
Dallas, Texas 75265

© 2007 Texas Instruments Incorporated