

Cell balancing buys extra run time and battery life

By Sihua Wen

Applications Engineer, Battery Management Solutions

Introduction

Common to every battery system with series cells is the problem of cell imbalance. Cell balancing is a method of designing safer battery solutions that extends battery run time as well as battery life. The latest battery-protection and fuel-gauging ICs from Texas Instruments (TI)—the bq2084, the bq20zxx family, the bq77PL900, and the bq78PL114—present a wealthy lineup for cell-balancing needs.

What is cell imbalance?

If overheated or overcharged, Li-Ion cells are prone to accelerated cell degradation and can catch fire or even explode. Hardware and software protection is in place to mitigate these immediate dangers. In a multicell battery pack, which is commonly used in laptop computers and medical equipment, placing cells in series opens up the possibility of cell imbalance, a slower but persistent degradation of the battery.

No two cells are identical. There are always slight differences in the state of charge (SOC), self-discharge rate, capacity, impedance, and temperature characteristics, even for cells that are the same model from the same manufacturer and even from the same batch of production. When building multicell packs, manufacturers usually sort cells with similar SOCs by voltage. However, variations in an individual cell's impedance, capacity, and self-discharge rate can still lead to a divergence in its voltage over time. Since most battery chargers detect full charge by checking whether the voltage of the entire string of cells has reached the voltage-regulation point, individual cell voltages can vary as long as they do not exceed the limits for overvoltage (OV) protection. However, weak cells—i.e., cells with lower capacity or higher internal impedance—tend to exhibit higher voltage than the rest of the series cells at full charge termination. These cells are weakened further by continuous overcharge cycles. The higher voltage of weak cells at charge completion causes accelerated capacity degradation.

On the other hand, in discharge, the weak cells tend to have lower voltage than the other cells, due to either higher internal resistance or the faster rate of discharge that results from their smaller capacity. This means that if any of the weak cells hits the cell undervoltage-protection limit while the pack voltage is still sufficient to power the system, the full capacity of the battery will not be used.

Cell-balancing techniques

The impact of cell imbalance on run-time performance and battery life in applications using series-connected cells is certainly undesirable. The fundamental solution of cell balancing equalizes the voltage and SOC among the cells when they are at full charge. Cell balancing is usually categorized into two types—passive and active. The passive cell-balancing method, also known as “resistor bleeding balancing,” is simple and straightforward: Discharge the cells that need balancing through a dissipative bypass route. This bypass can be either integrated or external to the IC. Such an approach is favorable in low-cost system applications.

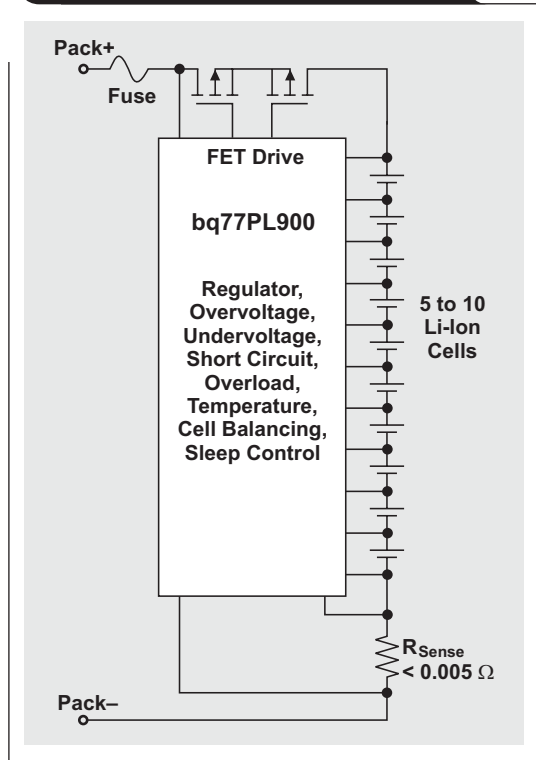
The fact that 100% of the excess energy from a higher-energy cell is dissipated as heat makes the passive method less preferable to use during discharge because of the obvious impact on battery run time. Active cell balancing, which utilizes capacitive or inductive charge shuttling to transfer charge between battery cells, is significantly more efficient because energy is transferred to where it is needed instead of being bled off. Of course, the trade-off for this improved efficiency is the need for additional components at higher cost.

Passive cell balancing

The easiest approach to cell balancing is to equalize cell voltages. For example, the bq77PL900, a battery-pack protector for 5 to 10 Li-Ion series cells, is used in cordless power tools, power-assisted bicycles and scooters, uninteruptible power supplies, and medical equipment. The bq77PL900 can act as a stand-alone battery-protection

system (see Figure 1), comparing cell voltages with programmable thresholds to determine if cell balancing is needed. Figure 2 shows the operation principle. If any particular cell hits the threshold, charging is halted and an internal bypass is enabled. The charging is halted until the high-voltage cell hits the recovery limit, when the cell balancing will stop.

Figure 1. The bq77PL900 acting as stand-alone battery protector



Cell-balancing algorithms that use only voltage divergence as a balancing criterion have the disadvantage of overbalancing or underbalancing because of the different impedance between cells (see Figure 3). The problem is that cell impedance also contributes to voltage divergence during charging. The pack protector using simple voltage-based cell balancing cannot tell if the voltage difference is caused by the capacity or the impedance imbalance. Therefore, this type of balancing cannot guarantee that all cells will reach 100% capacity at full charge.

The bq2084 is a fuel gauge with an improved version of voltage-based balancing. To minimize the effect of impedance differences between cells, the bq2084 balances only near the end of charge, where the current tapers off. In addition, the bq2084 is a more efficient implementation

Figure 2. Simple passive cell balancing based on voltage

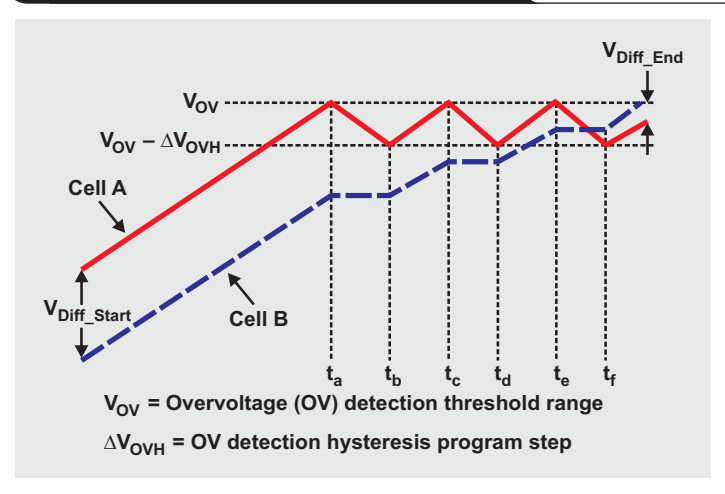
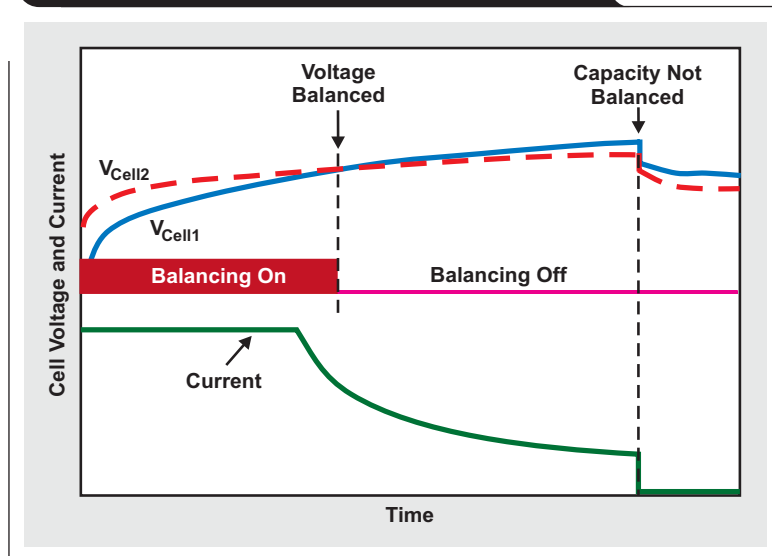


Figure 3. Simple voltage-based cell balancing may not effectively balance capacity



because it makes the balancing decision based on all cell voltages. Despite the improvements, this technique limits the balancing to high-SOC regions and can be performed only during charging.

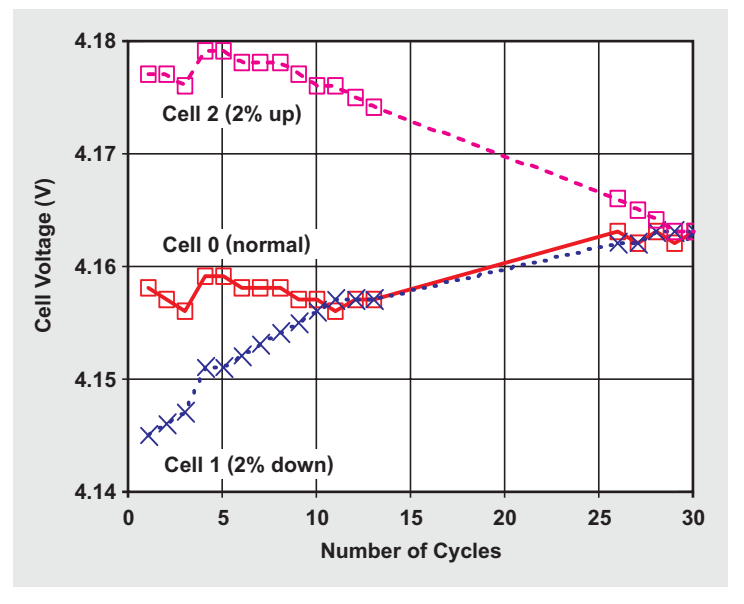
The bq20zxx family of Impedance Track™ fuel gauges uses a different balancing strategy based on cell SOC and capacity. Instead of balancing voltage divergence, the bq20zxx gauges calculate the charge, Q_{need} , that each cell needs to reach a full-charge state, then find the difference, ΔQ , between the Q_{need} of each cell. The balancing algorithm turns on the cell-balancing FETs during charging to zero out ΔQ . The Impedance Track fuel gauges implement these tasks with ease because the total capacity, Q_{max} , and the SOC are readily available from the gauging function. Furthermore, since this method of cell balancing is not compromised by cell impedance (it actually monitors cell impedance), it can be performed at any time, during charge or discharge or even at idle. More important, it achieves the best passive-balancing accuracy (see Figure 4).

Active cell balancing

Active cell balancing overcomes the energy loss of the passive method by using capacitive or inductive charge storage and shuttling to deliver energy to where it is needed most, and with little loss. Thus it is preferable for efficiency-conscious designs and for applications where delivering maximum run time is top priority.

The bq78PL114 PowerPump™ cell-balancing technology is TI's latest implementation of active cell balancing using inductive charge transfer. PowerPump uses an n- and p-channel MOSFET pair and a power inductor to complete a charge-transfer circuit between an adjacent pair of cells. Shown in Figure 5, the MOSFETs and the power inductor form a buck/boost circuit. If the bq78PL114 determines that the top cell needs to transfer energy to the lower cell, the P3S signal, running at about 200 kHz with a duty cycle of 30%, triggers the energy to transfer from the top cell to the inductor through the top p-channel MOSFET, Q1. When the P3S signal resets, Q1 is turned off, and the energy stored in the inductor reaches a maximum. Because the

Figure 4. Passive cell balancing based on SOC and capacity

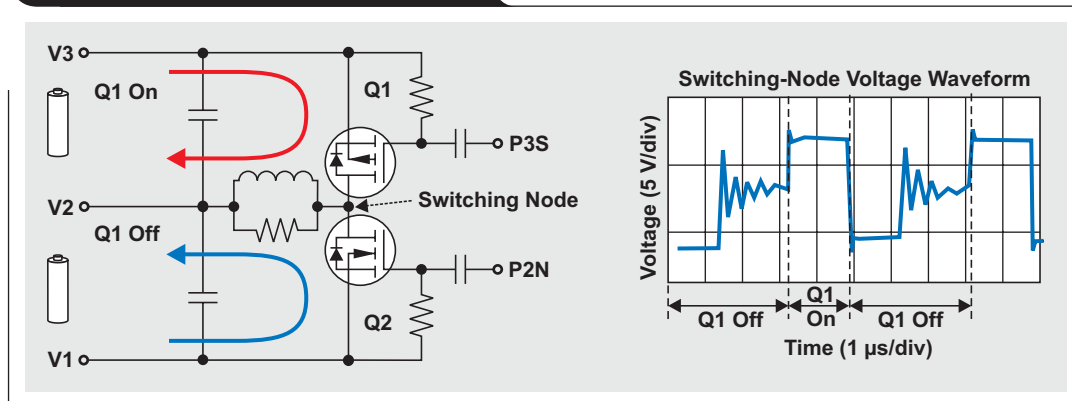


inductor current must flow continuously, the body diode of Q2 is forward-biased, completing the charge transfer from the inductor to the lower cell. In this process, energy is stored in the inductor with only minor loss due to the series resistance of the inductor and the ON resistance of the body diode.

The bq78PL114 features three selectable balancing algorithms:

- *Terminal-voltage pumping* is just like the voltage-based passive cell balancing described earlier.
- *Open-circuit voltage (OCV) pumping* compensates for impedance differences by estimating the OCV based on measurements of the pack current and cell impedance.
- *SOC pumping (predictive balancing)* is like the bq20zxx family's passive cell-balancing method based on SOC and capacity. The SOC-pumping algorithm

Figure 5. PowerPump cell balancing



determines the exact charge that needs to be transferred between cells so that cell capacities are balanced at the end of charge. This method therefore achieves the best active-balancing accuracy, as shown in Figure 6.

Because of the higher balancing current, PowerPump technology corrects cell imbalance much better than conventional integrated, passive balancing with internal bypass FETs. Adjustable by changing component values, the typical effective balancing current for a notebook PC is about 25 to 50 mA, which is about 12 to 20 times better than the internal IC bypass balancing. With this strength, most typical capacity imbalances (of less than 5%) can be overcome in one or two cycles.

Apart from the obvious advantages, the beauty of the PowerPump cell-balancing technology is that balancing is achievable regardless of the individual cell voltages. Balancing can happen during any battery operation—charge, discharge, or rest—and even if the cell that provides the charge has a lower voltage than the cell that receives it! Compared with passive cell balancing, little energy is lost as heat.

Performance considerations for passive and active cell balancing

PowerPump cell balancing is fast by nature. A 2% capacity imbalance from a 2200-mAh cell can be balanced within a charge cycle or two. However, as previously mentioned, passive cell balancing using integrated FETs is limited by low balancing current and therefore may require multiple cycles to correct a typical imbalance. The balancing may even be overpowered by the rate of cell divergence/imbalance. To improve the speed of passive cell balancing, an external bypass can be established to utilize existing hardware. A typical implementation, shown in Figure 7, can be used with the bq77PL900, the bq2084, or the bq20zxx family. The internal balancing MOSFET for a particular cell is first turned on, creating a low-level bias current through the external filter resistors, R_{Ext1} and R_{Ext2} , that connect the cell terminals to the IC. The gate-to-source voltage is thus established across R_{Ext2} , and the external MOSFET is turned on. The $R_{DS(on)}$ of the external MOSFET is negligible, and the external balancing current, I_{Bal} , is governed by cell voltage and R_{Bal} .

Figure 6. Active cell balancing with SOC-pumping algorithm

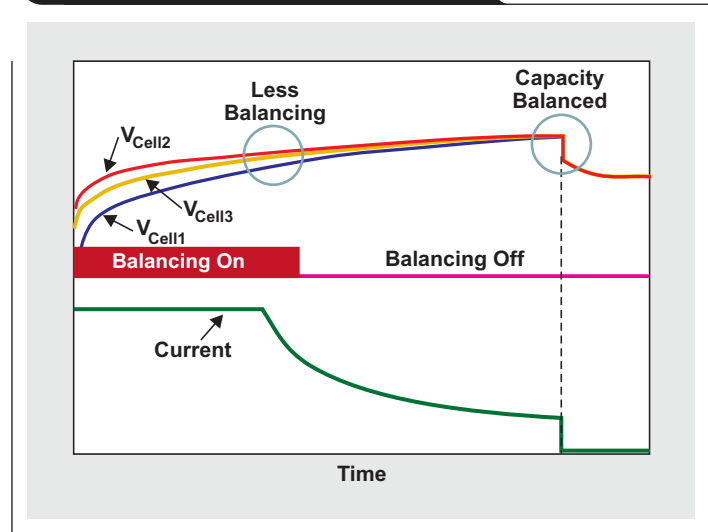
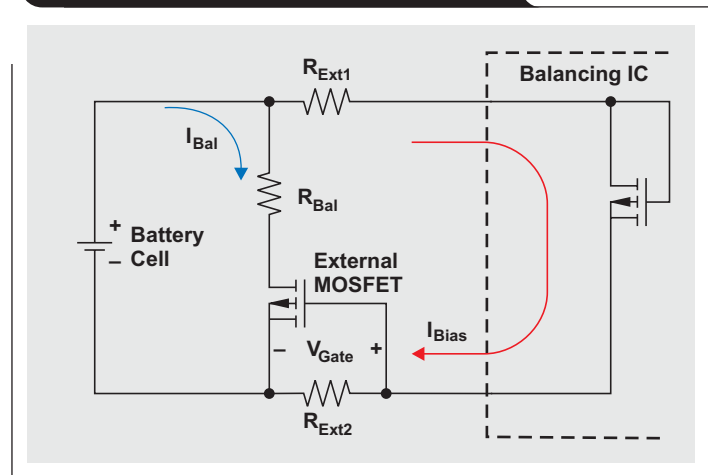


Figure 7. Principle of external passive cell balancing



The drawback of this method is that balancing cannot be performed on adjacent cells at the same time (see Figure 8a). This is because, when adjacent internal FETs are turned on, there is no current flowing through R_{Ext2} , so Q1 remains off even when the internal switch is enabled. In practice, this is not an issue because the fast external cell balancing can quickly balance the cell associated with Q2, and then the cell associated with Q1 will be balanced.

Another issue is the stress from the high drain-to-source voltage, V_{DS} , that occurs when every other cell is balanced. In Figure 8b, the top and bottom cells are being balanced. Due to the cell-balancing bias, there is a high V_{DS} at the middle internal switching that may exceed what the switch can sustain. The solution to this problem is to limit the maximum value of R_{Ext} or exclude simultaneous balancing of every other cell.

Fast cell balancing is a new way of thinking about enhancing battery safety and performance. In passive balancing, the practical goal is to achieve capacity balance at the end of charge; but, due to the low balancing current, little can be done to also correct voltage imbalance at the end of discharge. In other words, overcharging weak cells can be avoided, but it may not be possible to improve battery run time because the extra energy is wasted in the bypass resistance as heat. With fast PowerPump active balancing, the two goals—achieving capacity balance at the end of charge, and minimizing voltage differences among cells at the end of discharge—can potentially be achieved at the same time. Energy is conserved and transferred to weaker cells, which increases discharge capacity.

Conclusion

One of the emerging technologies for enhancing battery safety and extending battery life is advanced cell balancing. Since new cell balancing technologies track the amount of balancing needed by individual cells, the usable life of battery packs is increased, and overall battery safety is enhanced. In fast PowerPump active balancing, battery run time can also be maximized by balancing at high efficiency at the end of discharge in every cycle.

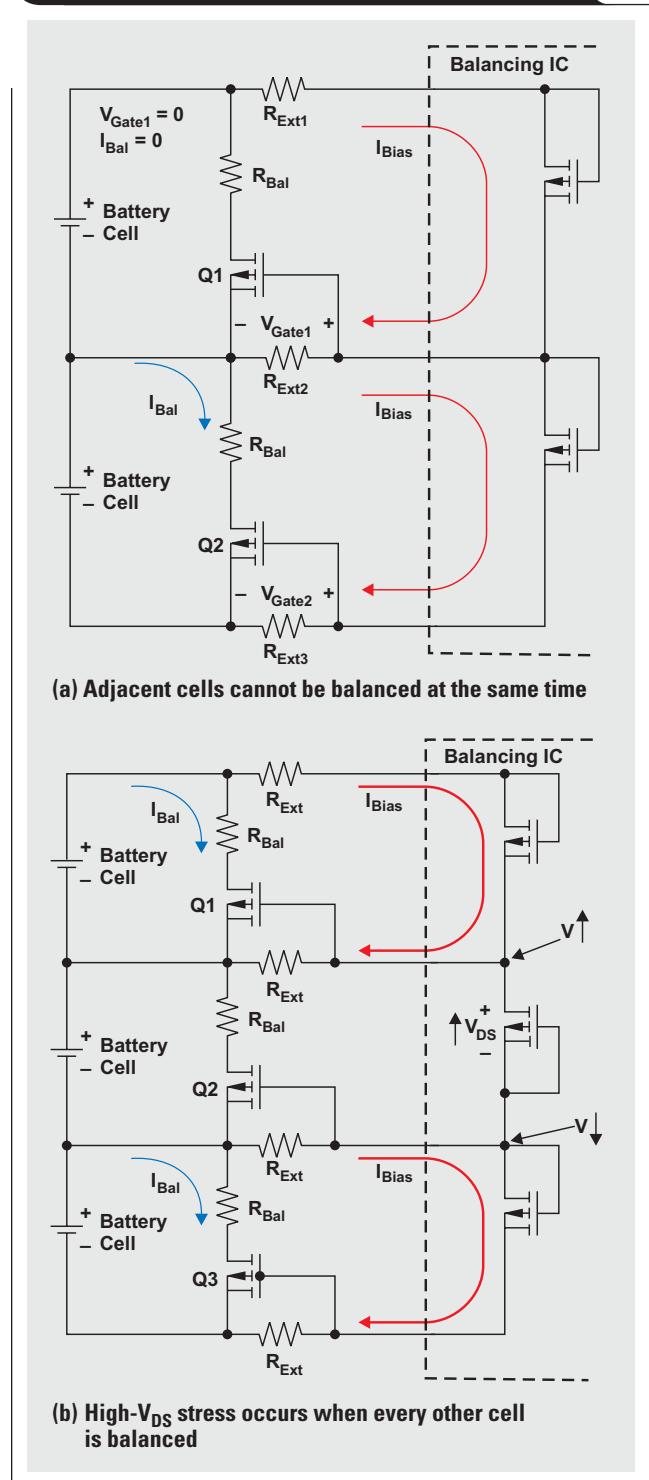
Related Web sites

power.ti.com

www.ti.com/sc/device/partnumber

Replace *partnumber* with bq2084-V143, bq20z90-V110, bq77PL900, or bq78PL114

Figure 8. Issues with internal-FET balancing



IMPORTANT NOTICE

Texas Instruments Incorporated and its subsidiaries (TI) reserve the right to make corrections, modifications, enhancements, improvements, and other changes to its products and services at any time and to discontinue any product or service without notice. Customers should obtain the latest relevant information before placing orders and should verify that such information is current and complete. All products are sold subject to TI's terms and conditions of sale supplied at the time of order acknowledgment.

TI warrants performance of its hardware products to the specifications applicable at the time of sale in accordance with TI's standard warranty. Testing and other quality control techniques are used to the extent TI deems necessary to support this warranty. Except where mandated by government requirements, testing of all parameters of each product is not necessarily performed.

TI assumes no liability for applications assistance or customer product design. Customers are responsible for their products and applications using TI components. To minimize the risks associated with customer products and applications, customers should provide adequate design and operating safeguards.

TI does not warrant or represent that any license, either express or implied, is granted under any TI patent right, copyright, mask work right, or other TI intellectual property right relating to any combination, machine, or process in which TI products or services are used. Information published by TI regarding third-party products or services does not constitute a license from TI to use such products or services or a warranty or endorsement thereof. Use of such information may require a license from a third party under the patents or other intellectual property of the third party, or a license from TI under the patents or other intellectual property of TI.

Reproduction of information in TI data books or data sheets is permissible only if reproduction is without alteration and is accompanied by all associated warranties, conditions, limitations, and notices. Reproduction of this information with alteration is an unfair and deceptive business practice. TI is not responsible or liable for such altered documentation. Information of third parties may be subject to additional restrictions.

Resale of TI products or services with statements different from or beyond the parameters stated by TI for that product or service voids all express and any implied warranties for the associated TI product or service and is an unfair and deceptive business practice. TI is not responsible or liable for any such statements.

TI products are not authorized for use in safety-critical applications (such as life support) where a failure of the TI product would reasonably be expected to cause severe personal injury or death, unless officers of the parties have executed an agreement specifically governing such use. Buyers represent that they have all necessary expertise in the safety and regulatory ramifications of their applications, and acknowledge and agree that they are solely responsible for all legal, regulatory and safety-related requirements concerning their products and any use of TI products in such safety-critical applications, notwithstanding any applications-related information or support that may be provided by TI. Further, Buyers must fully indemnify TI and its representatives against any damages arising out of the use of TI products in such safety-critical applications.

TI products are neither designed nor intended for use in military/aerospace applications or environments unless the TI products are specifically designated by TI as military-grade or "enhanced plastic." Only products designated by TI as military-grade meet military specifications. Buyers acknowledge and agree that any such use of TI products which TI has not designated as military-grade is solely at the Buyer's risk, and that they are solely responsible for compliance with all legal and regulatory requirements in connection with such use.

TI products are neither designed nor intended for use in automotive applications or environments unless the specific TI products are designated by TI as compliant with ISO/TS 16949 requirements. Buyers acknowledge and agree that, if they use any non-designated products in automotive applications, TI will not be responsible for any failure to meet such requirements.

Following are URLs where you can obtain information on other Texas Instruments products and application solutions:

Products		Applications	
Amplifiers	amplifier.ti.com	Audio	www.ti.com/audio
Data Converters	dataconverter.ti.com	Automotive	www.ti.com/automotive
DLP® Products	www.dlp.com	Broadband	www.ti.com/broadband
DSP	dsp.ti.com	Digital Control	www.ti.com/digitalcontrol
Clocks and Timers	www.ti.com/clocks	Medical	www.ti.com/medical
Interface	interface.ti.com	Military	www.ti.com/military
Logic	logic.ti.com	Optical Networking	www.ti.com/opticalnetwork
Power Mgmt	power.ti.com	Security	www.ti.com/security
Microcontrollers	microcontroller.ti.com	Telephony	www.ti.com/telephony
RFID	www.ti-rfid.com	Video & Imaging	www.ti.com/video
RF/IF and ZigBee® Solutions	www.ti.com/lprf	Wireless	www.ti.com/wireless

Mailing Address: Texas Instruments
Post Office Box 655303
Dallas, Texas 75265

TI Worldwide Technical Support

Internet

TI Semiconductor Product Information Center Home Page

support.ti.com

TI Semiconductor KnowledgeBase Home Page

support.ti.com/sc/knowledgebase

Product Information Centers

Americas	Phone	+1(972) 644-5580
Brazil	Phone	0800-891-2616
Mexico	Phone	0800-670-7544
	Fax	+1(972) 927-6377
	Internet/Email	support.ti.com/sc/pic/americas.htm

Europe, Middle East, and Africa

Phone	
European Free Call	00800-ASK-TEXAS (00800 275 83927)
International	+49 (0) 8161 80 2121
Russian Support	+7 (4) 95 98 10 701

Note: The European Free Call (Toll Free) number is not active in all countries. If you have technical difficulty calling the free call number, please use the international number above.

Fax	+ (49) (0) 8161 80 2045
Internet	support.ti.com/sc/pic/euro.htm

Japan

Fax	International	+81-3-3344-5317
	Domestic	0120-81-0036
Internet/Email	International	support.ti.com/sc/pic/japan.htm
	Domestic	www.tij.co.jp/pic

Asia

Phone	
International	+91-80-41381665
Domestic	<u>Toll-Free Number</u>
Australia	1-800-999-084
China	800-820-8682
Hong Kong	800-96-5941
India	1-800-425-7888
Indonesia	001-803-8861-1006
Korea	080-551-2804
Malaysia	1-800-80-3973
New Zealand	0800-446-934
Philippines	1-800-765-7404
Singapore	800-886-1028
Taiwan	0800-006800
Thailand	001-800-886-0010
Fax	+886-2-2378-6808
Email	tiasia@ti.com or ti-china@ti.com
Internet	support.ti.com/sc/pic/asia.htm

Safe Harbor Statement: This publication may contain forward-looking statements that involve a number of risks and uncertainties. These "forward-looking statements" are intended to qualify for the safe harbor from liability established by the Private Securities Litigation Reform Act of 1995. These forward-looking statements generally can be identified by phrases such as TI or its management "believes," "expects," "anticipates," "foresees," "forecasts," "estimates" or other words or phrases of similar import. Similarly, such statements herein that describe the company's products, business strategy, outlook, objectives, plans, intentions or goals also are forward-looking statements. All such forward-looking statements are subject to certain risks and uncertainties that could cause actual results to differ materially from those in forward-looking statements. Please refer to TI's most recent Form 10-K for more information on the risks and uncertainties that could materially affect future results of operations. We disclaim any intention or obligation to update any forward-looking statements as a result of developments occurring after the date of this publication.

E093008

Impedance Track and PowerPump are trademarks of Texas Instruments. All other trademarks are the property of their respective owners.

IMPORTANT NOTICE

Texas Instruments Incorporated and its subsidiaries (TI) reserve the right to make corrections, modifications, enhancements, improvements, and other changes to its products and services at any time and to discontinue any product or service without notice. Customers should obtain the latest relevant information before placing orders and should verify that such information is current and complete. All products are sold subject to TI's terms and conditions of sale supplied at the time of order acknowledgment.

TI warrants performance of its hardware products to the specifications applicable at the time of sale in accordance with TI's standard warranty. Testing and other quality control techniques are used to the extent TI deems necessary to support this warranty. Except where mandated by government requirements, testing of all parameters of each product is not necessarily performed.

TI assumes no liability for applications assistance or customer product design. Customers are responsible for their products and applications using TI components. To minimize the risks associated with customer products and applications, customers should provide adequate design and operating safeguards.

TI does not warrant or represent that any license, either express or implied, is granted under any TI patent right, copyright, mask work right, or other TI intellectual property right relating to any combination, machine, or process in which TI products or services are used. Information published by TI regarding third-party products or services does not constitute a license from TI to use such products or services or a warranty or endorsement thereof. Use of such information may require a license from a third party under the patents or other intellectual property of the third party, or a license from TI under the patents or other intellectual property of TI.

Reproduction of TI information in TI data books or data sheets is permissible only if reproduction is without alteration and is accompanied by all associated warranties, conditions, limitations, and notices. Reproduction of this information with alteration is an unfair and deceptive business practice. TI is not responsible or liable for such altered documentation. Information of third parties may be subject to additional restrictions.

Resale of TI products or services with statements different from or beyond the parameters stated by TI for that product or service voids all express and any implied warranties for the associated TI product or service and is an unfair and deceptive business practice. TI is not responsible or liable for any such statements.

TI products are not authorized for use in safety-critical applications (such as life support) where a failure of the TI product would reasonably be expected to cause severe personal injury or death, unless officers of the parties have executed an agreement specifically governing such use. Buyers represent that they have all necessary expertise in the safety and regulatory ramifications of their applications, and acknowledge and agree that they are solely responsible for all legal, regulatory and safety-related requirements concerning their products and any use of TI products in such safety-critical applications, notwithstanding any applications-related information or support that may be provided by TI. Further, Buyers must fully indemnify TI and its representatives against any damages arising out of the use of TI products in such safety-critical applications.

TI products are neither designed nor intended for use in military/aerospace applications or environments unless the TI products are specifically designated by TI as military-grade or "enhanced plastic." Only products designated by TI as military-grade meet military specifications. Buyers acknowledge and agree that any such use of TI products which TI has not designated as military-grade is solely at the Buyer's risk, and that they are solely responsible for compliance with all legal and regulatory requirements in connection with such use.

TI products are neither designed nor intended for use in automotive applications or environments unless the specific TI products are designated by TI as compliant with ISO/TS 16949 requirements. Buyers acknowledge and agree that, if they use any non-designated products in automotive applications, TI will not be responsible for any failure to meet such requirements.

Following are URLs where you can obtain information on other Texas Instruments products and application solutions:

Products

Amplifiers	amplifier.ti.com
Data Converters	dataconverter.ti.com
DLP® Products	www.dlp.com
DSP	dsp.ti.com
Clocks and Timers	www.ti.com/clocks
Interface	interface.ti.com
Logic	logic.ti.com
Power Mgmt	power.ti.com
Microcontrollers	microcontroller.ti.com
RFID	www.ti-rfid.com
RF/IF and ZigBee® Solutions	www.ti.com/lprf

Applications

Audio	www.ti.com/audio
Automotive	www.ti.com/automotive
Broadband	www.ti.com/broadband
Digital Control	www.ti.com/digitalcontrol
Medical	www.ti.com/medical
Military	www.ti.com/military
Optical Networking	www.ti.com/opticalnetwork
Security	www.ti.com/security
Telephony	www.ti.com/telephony
Video & Imaging	www.ti.com/video
Wireless	www.ti.com/wireless

Mailing Address: Texas Instruments, Post Office Box 655303, Dallas, Texas 75265
Copyright © 2009, Texas Instruments Incorporated