

# Extract maximum power from the supply when charging a battery

By **Jing Ye**, *Systems Engineer, High-Power Charging*

**Jeff Falin**, *Applications Engineer, Wireless and Low-Power Charging*

**KK Rushil**, *Field Applications Engineer*

## Introduction

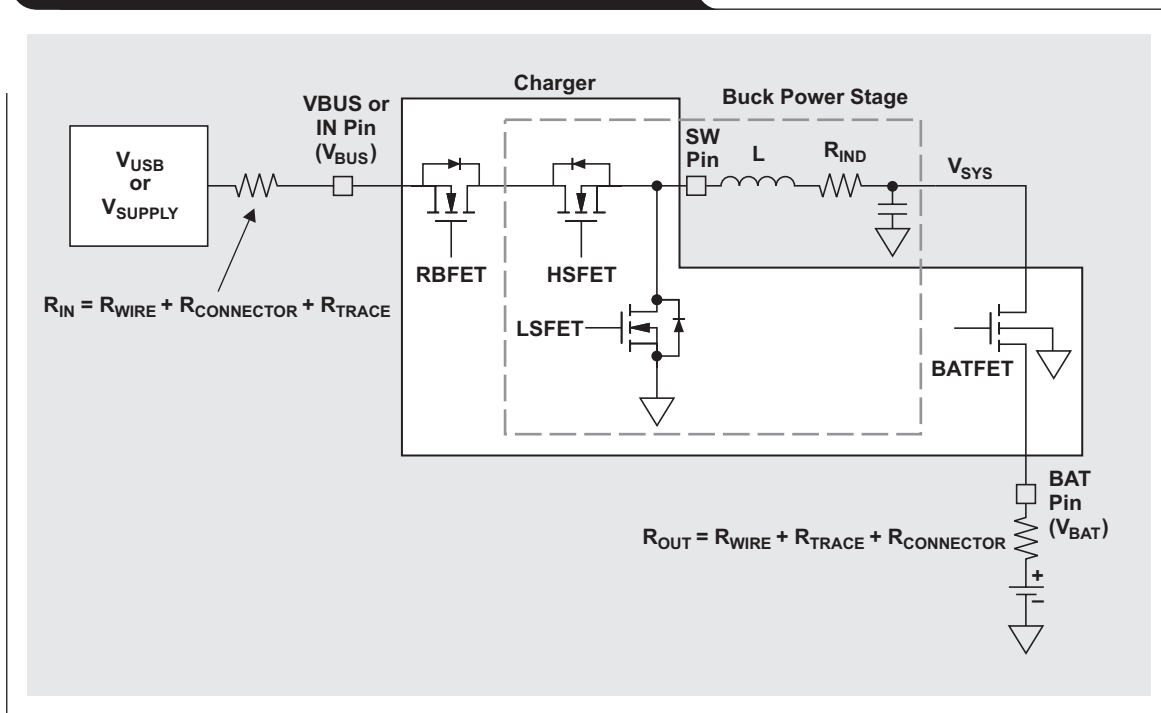
Designers of rechargeable battery-powered equipment want a charger that minimizes charge time with maximum charge current by maximizing the power taken from the supply without collapsing the supply. Resistances between the supply and the battery present a challenge. This article explains how to design the charging circuit to achieve the maximum power from the adapter despite the undesired resistances between the supply and battery.

## General operation of a switch-mode charger

Figure 1 contains a circuit model of the buck converter-based charger that shows all of the non-ideal resistances, including the inductor's DC resistance ( $R_{IND}$ ).

The input supply voltage to the charger IC at its VBUS or IN pin is from a typical USB port or a wall adapter. For this article, voltage at this pin is  $V_{BUS}$ . This model will be used to derive the minimum supply voltage for a given battery regulation threshold.

**Figure 1. Switching charger model with resistances**



## Review of Li-Ion charger operation

As shown in Figure 2, the charger works in three main phases of operation, depending on the battery voltage:

1. Low battery voltage signifies a deeply discharged battery. Hence, it must be charged by a low value of current until it is brought to the threshold value,  $V_{PRECHG}$ . This is known as precharge phase.
2. Once the battery voltage increases to a certain threshold ( $V_{PRECHG}$ ), the prescribed maximum charge current is allowed to flow. This current is maintained by a regulation loop known as the current-regulation/constant-current phase.
3. After the battery voltage increases to the set regulation voltage and the charge current has tapered down, the battery is fully charged. While the charge current is tapering down, the charger operates in voltage-regulation/constant-voltage phase. The typical regulation voltage is 4.2 V for Lithium-Ion (Li-Ion) cells.

For fastest charge time, the charger must provide the maximum charge current for which it has been set, until  $V_{BAT} = 4.2$  V.

To determine the minimum value of the input voltage ( $V_{BUS\_MIN}$ ) permissible, the designer must consider the following:

1. Operation headroom between  $V_{BUS}$  and  $V_{BAT}$  to reach a target charge current
2. Switching regulator's maximum duty cycle

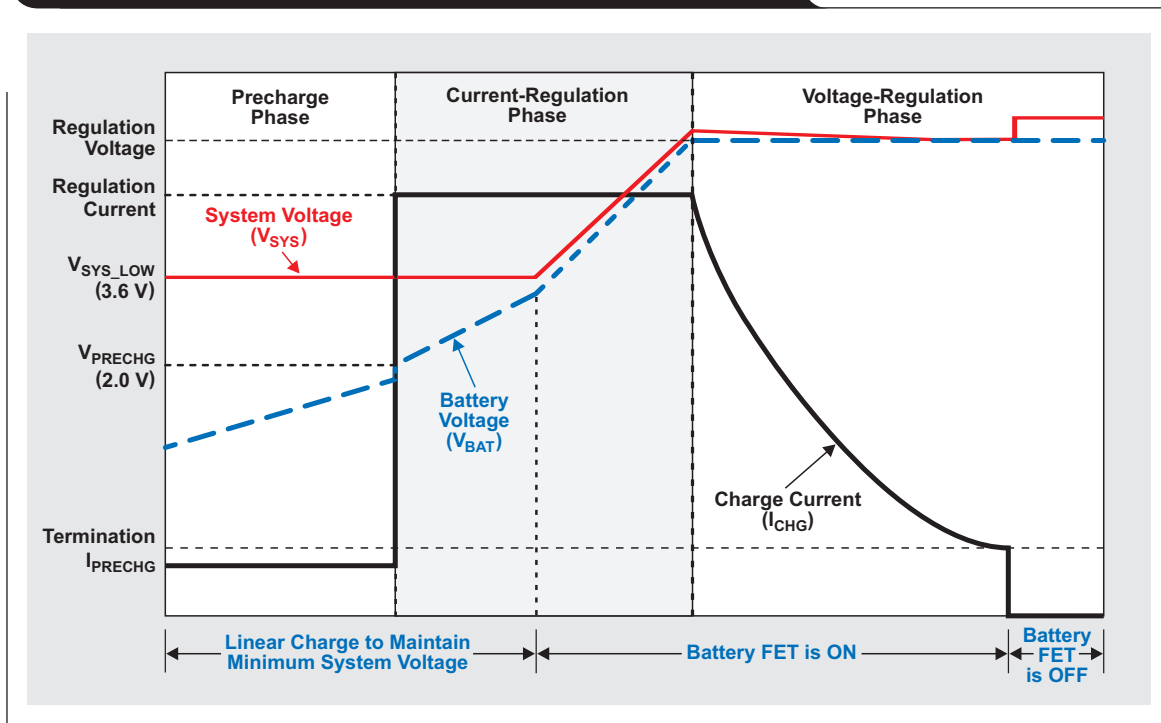
### Operation headroom

The resistance in the MOSFETs and the inductor generates voltage drop as current flows. If the voltage difference between  $V_{BUS}$  and  $V_{BAT}$  is too small, the target charge current cannot be achieved. For example, if  $V_{BUS}$  is 4.3 V,  $V_{BAT}$  is 4.2 V and total resistance from BUS input to battery is 150 m $\Omega$ , the maximum current to the battery is 660 mA.

### Switching regulator maximum duty cycle

Realistically, no high-side NMOS buck converter can reach 100% duty cycle. There is always dead time to avoid shoot-through during HSFET/LSFET turn-on/turn-off. If the duty cycle exceeds the maximum value, the switching regulator will skip some LSFET turn-on pulses to maintain average output current/voltage.

**Figure 2. Charge profile for the BQ2419x/25x/26x/29x charger**



## Calculating $V_{BUS\_MIN}$ threshold

The  $V_{BUS\_MIN}$  threshold is the minimum BUS pin voltage required to support the target maximum charge current and keep the duty cycle below the buck converter's maximum duty cycle. Figure 3 shows the inductor current and switch-node voltage of a buck converter operating in the continuous-conduction mode (CCM).  $V_{BUS}$  can be derived as follows via ripple-current calculations for the inductor.

$$I_{RIPPLE} = \frac{\Delta V \times \Delta T}{L} \quad (1)$$

On the inductor current rising edge:

$$I_{RIPPLE} = \frac{[V_{BUS} - I_{CHG} \times (R_{RBFET} + R_{HSFET}) - I_{CHG} \times (R_{IND} + R_{BATFET}) - V_{BAT}] \times D \times T}{L} \quad (2)$$

On the inductor current falling edge:

$$I_{RIPPLE} = \frac{[V_{BAT} - I_{CHG} \times (R_{IND} + R_{BATFET}) - I_{CHG} \times R_{LSFET}] \times (1 - D) \times T}{L} \quad (3)$$

Since the ripple current is the same, the  $V_{BUS}$  equation can be derived.

$$V_{BUS} = \frac{1}{D} V_{BAT} + I_{CHG} \times (R_{RBFET} + R_{HSFET} + R_{IND} + R_{BATFET}) - \frac{1 - D}{D} \times I_{CHG} \times (R_{BATFET} + R_{IND} + R_{LSFET}) \quad (4)$$

Equation 4 can be simplified with a few assumptions:

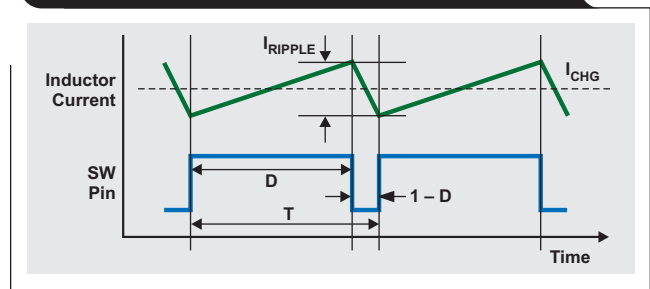
- With  $L = 2.2 \mu\text{H}$ , the ripple current at 96% duty cycle is less than 300 mA. (One is considered as average current.)
- With maximum duty cycle of 96%,  $(1 - D) / D$  is only 4.2% compared to the second item in the equation. Therefore, the third item can be ignored.

The  $V_{BUS\_MIN}$  threshold is the  $V_{BUS}$  voltage at maximum duty cycle.

$$V_{BUS\_MIN} = \frac{V_{BAT}}{D_{MAX}} + I_{CHG} \times (R_{RBFET} + R_{HSFET} + R_{IND} + R_{BATFET}) \quad (5)$$

If  $V_{BUS}$  falls below calculated  $V_{BUS\_MIN}$  threshold, then the battery will not fully charge.

**Figure 3. Inductor current versus operation duty cycle in CCM**



## Minimum USB supply voltage

This section shows how the input voltage to the charger can fall below the permissible value when USB adapters are used due to input line resistance. The USB specification states that the output to the device from a low-power port can be as low as 4.1 V under full load, after passing through all hubs and cables.

Assume that the input supply in Figure 1 is a USB port providing  $V_{USB}$  of 5 V with zero resistance in series.  $R_{IN}$  is the lumped resistance of the cable, connector and PCB trace. The charger is modeled as an ideal buck converter that can reach 100% duty cycle.

The input voltage ( $V_{BUS}$ ) at the charger must be above the battery charging regulation threshold  $V_{BATREG}$  (typically 4.2 V). Assume that the minimum to which  $V_{USB}$  falls is 4.75 V.

$$V_{BUS} = V_{USB\_MIN} - I_{USB\_MAX} \times R_{IN} > V_{BATREG} \quad (6)$$

With resistance from the USB supply to BUS pin of  $R_{IN} = 400 \text{ m}\Omega$ , Table 1 shows the minimum  $V_{BUS}$  voltage from USB2.0 port and USB 1.5-A adapter.

**Table 1. USB Supply Comparison**

	$V_{USB\_MIN}$	$I_{USB\_MAX}$	$V_{BUS}$	BELOW $V_{BUS\_MIN}$ ?
USB 2.0	4.75 V	0.5 A	4.55 V	No
USB 1.5-A Adapter	4.75 V	1.5 A	4.15 V	Yes

At maximum duty cycle,  $V_{BUS}$  is close to  $V_{BAT}$ , so  $I_{USB} \approx I_{CHG}$ . Equation 5 can now be expanded to determine the minimum input supply voltage for a given charge current.

$$V_{SUPPLY\_MIN} = \frac{V_{BAT}}{D_{MAX}} + I_{CHG} \times (R_{IN} + R_{RBFET} + R_{HSFET} + R_{IND} + R_{BATFET}) \quad (7)$$

Equation 7 can be used to determine how low to make the cable resistance and connector (for instance, select a higher quality cable and connector), or how wide/thick to make the PCB trace to avoid excessive voltage drop at the charger's BUS pin. This maximizes the adapter's power for charging the battery.

## Input voltage-based dynamic power management ( $V_{IN}$ -DPM)

If multiple adapters and/or cables and/or connectors are expected to be used, it may be difficult to design for all line-resistance scenarios. A charger with  $V_{IN}$ -DPM prevents the input voltage from crashing regardless of input line resistance.

### What is $V_{IN}$ -DPM?

$V_{IN}$ -DPM is an analog loop included in many TI chargers. The purpose of the loop is to extract the maximum amount of current available from the supply without crashing the adapter, i.e., the input current (and therefore the resulting charge current) is limited in order to maintain supply voltage at  $V_{IN}$ -DPM. This feature can be used when a USB port is one of the input power sources.

### Operation without $V_{IN}$ -DPM

Consider using a charger without the  $V_{IN}$ -DPM protection as shown in Figure 4. As the system load current and battery charge current increase, the input current also increases. Hence, the drop across the supply resistance increases. The voltage seen at the charger's input pin is less than the rated output voltage offered by the supply. Also, the supply (voltage source) has a compliance limit on the amount of current it can produce. When a load current is drawn such that the input current required to maintain

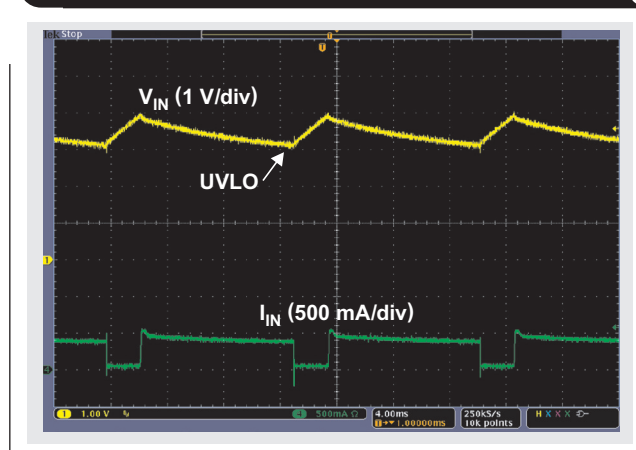
the sum of charge current and load current is beyond the capability of the supply, the input voltage starts to fall because the input capacitor discharges due to the high current demanded. When the input voltage hits the under-voltage threshold, the charger turns off. During this off time, the input voltage recovers as the input capacitor recharges. Once it rises above the UVLO, charging begins again. Once the charger turns on, the same cycle repeats, resulting in the non-ideal on/off pulsing in the charge current.

### Benefits of $V_{IN}$ -DPM

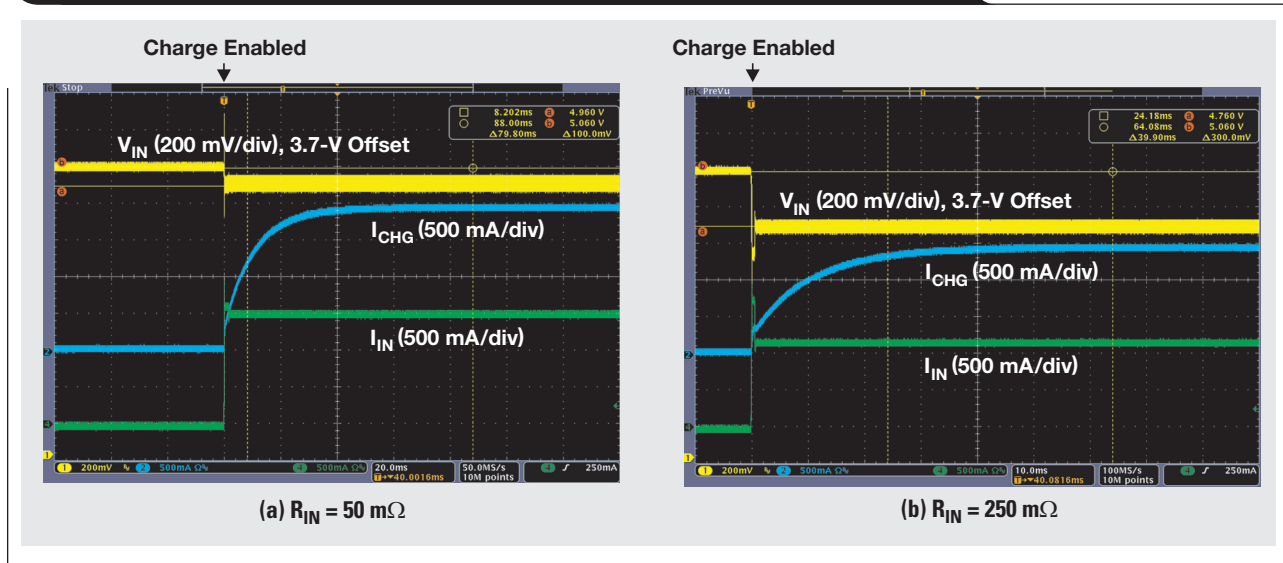
A charger with the  $V_{IN}$ -DPM feature prevents the non-ideal pulsing of charge current by limiting input current. Specifically, as the input voltage reduces and hits the set  $V_{IN}$ -DPM threshold, the  $V_{IN}$ -DPM function activates to reduce the input current to a smaller value. This prevents the input voltage from crashing to the undervoltage point.

Adapters typically supply currents between 100 mA to several amperes, and the latest USB ports can supply up to 1.5 A and higher. When using a charger with  $V_{IN}$ -DPM, portable-equipment manufacturers can optimize the charger for adapters and USB ports having a certain output power limit, such as a current limit.  $V_{IN}$ -DPM allows operation with other lower cost adapters, USB ports and/or the cables in between. For example, a smartphone with a charger having  $V_{IN}$ -DPM would be able to extract

**Figure 4. Non-ideal pulse charging by charger with high input line resistance and no  $V_{IN}$ -DPM**



**Figure 5. Example of a battery charger without and with  $V_{IN}$ -DPM engaged**



maximum power from a 1.5-A USB port without collapsing the port, even if a low-cost, highly-resistive USB charging cable is used. Figure 5 shows the effects of two different input resistances from the power supply to the IC. The evaluation circuit was a battery charger like the bq24192, bq24250, bq24260 or bq24295, that was configured for 1.5-A input current limit, 2.0-A charge current and 4.76-V  $V_{IN}$ -DPM threshold.

In both cases, charging continues and the adapter does not crash. However, in Figure 5(b), the  $V_{IN}$ -DPM circuit reduces the input current limit in response to the voltage drop across the series resistance. With reduced input current, the charger will reduce first the charge current and then the system load current.

## Conclusion

Resistances between the supply and charger can prevent the charger from pulling the maximum power from its supply without collapsing the supply and hitting the charger's undervoltage lockout. An equation for determining the minimum supply voltage required for a charger to provide the maximum charge current from given supply adapter was developed. Additionally, the  $V_{IN}$ -DPM feature allows the use of a variety of adapters and/or power connections without fear of collapsing the adapter voltage as it dynamically reduces the charger's input current limit.

## Related Web sites

[www.ti.com/2q14-bq24192](http://www.ti.com/2q14-bq24192)

[www.ti.com/2q14-bq24250](http://www.ti.com/2q14-bq24250)

[www.ti.com/2q14-bq24260](http://www.ti.com/2q14-bq24260)

[www.ti.com/2q14-bq24295](http://www.ti.com/2q14-bq24295)

Subscribe to the AAJ:

[www.ti.com/subscribe-aaaj](http://www.ti.com/subscribe-aaaj)

# TI Worldwide Technical Support

---

## Internet

### TI Semiconductor Product Information Center Home Page

[support.ti.com](http://support.ti.com)

### TI E2E™ Community Home Page

[e2e.ti.com](http://e2e.ti.com)

## Product Information Centers

**Americas** Phone +1(512) 434-1560

**Brazil** Phone 0800-891-2616

**Mexico** Phone 0800-670-7544

Fax +1(972) 927-6377  
Internet/Email [support.ti.com/sc/pic/americas.htm](http://support.ti.com/sc/pic/americas.htm)

### Europe, Middle East, and Africa

Phone

European Free Call 00800-ASK-TEXAS  
(00800 275 83927)  
International +49 (0) 8161 80 2121  
Russian Support +7 (4) 95 98 10 701

**Note:** The European Free Call (Toll Free) number is not active in all countries. If you have technical difficulty calling the free call number, please use the international number above.

Fax +49 (0) 8161 80 2045  
Internet [www.ti.com/asktexas](http://www.ti.com/asktexas)  
Direct Email [asktexas@ti.com](mailto:asktexas@ti.com)

### Japan

Fax International +81-3-3344-5317  
Domestic 0120-81-0036  
Internet/Email International [support.ti.com/sc/pic/japan.htm](http://support.ti.com/sc/pic/japan.htm)  
Domestic [www.tij.co.jp/pic](http://www.tij.co.jp/pic)

### Asia

Phone Toll-Free Number

**Note:** Toll-free numbers may not support mobile and IP phones.

Australia 1-800-999-084  
China 800-820-8682  
Hong Kong 800-96-5941  
India 000-800-100-8888  
Indonesia 001-803-8861-1006  
Korea 080-551-2804  
Malaysia 1-800-80-3973  
New Zealand 0800-446-934  
Philippines 1-800-765-7404  
Singapore 800-886-1028  
Taiwan 0800-006800  
Thailand 001-800-886-0010

International +86-21-23073444  
Fax +86-21-23073686  
Email [tiasia@ti.com](mailto:tiasia@ti.com) or [ti-china@ti.com](mailto:ti-china@ti.com)  
Internet [support.ti.com/sc/pic/asia.htm](http://support.ti.com/sc/pic/asia.htm)

**Important Notice:** The products and services of Texas Instruments Incorporated and its subsidiaries described herein are sold subject to TI's standard terms and conditions of sale. Customers are advised to obtain the most current and complete information about TI products and services before placing orders. TI assumes no liability for applications assistance, customer's applications or product designs, software performance, or infringement of patents. The publication of information regarding any other company's products or services does not constitute TI's approval, warranty or endorsement thereof.

**A021014**

E2E and OMAP are trademarks and DLP is a registered trademark of Texas Instruments. All other trademarks are the property of their respective owners.

## IMPORTANT NOTICE

Texas Instruments Incorporated and its subsidiaries (TI) reserve the right to make corrections, enhancements, improvements and other changes to its semiconductor products and services per JESD46, latest issue, and to discontinue any product or service per JESD48, latest issue. Buyers should obtain the latest relevant information before placing orders and should verify that such information is current and complete. All semiconductor products (also referred to herein as "components") are sold subject to TI's terms and conditions of sale supplied at the time of order acknowledgment.

TI warrants performance of its components to the specifications applicable at the time of sale, in accordance with the warranty in TI's terms and conditions of sale of semiconductor products. Testing and other quality control techniques are used to the extent TI deems necessary to support this warranty. Except where mandated by applicable law, testing of all parameters of each component is not necessarily performed.

TI assumes no liability for applications assistance or the design of Buyers' products. Buyers are responsible for their products and applications using TI components. To minimize the risks associated with Buyers' products and applications, Buyers should provide adequate design and operating safeguards.

TI does not warrant or represent that any license, either express or implied, is granted under any patent right, copyright, mask work right, or other intellectual property right relating to any combination, machine, or process in which TI components or services are used. Information published by TI regarding third-party products or services does not constitute a license to use such products or services or a warranty or endorsement thereof. Use of such information may require a license from a third party under the patents or other intellectual property of the third party, or a license from TI under the patents or other intellectual property of TI.

Reproduction of significant portions of TI information in TI data books or data sheets is permissible only if reproduction is without alteration and is accompanied by all associated warranties, conditions, limitations, and notices. TI is not responsible or liable for such altered documentation. Information of third parties may be subject to additional restrictions.

Resale of TI components or services with statements different from or beyond the parameters stated by TI for that component or service voids all express and any implied warranties for the associated TI component or service and is an unfair and deceptive business practice. TI is not responsible or liable for any such statements.

Buyer acknowledges and agrees that it is solely responsible for compliance with all legal, regulatory and safety-related requirements concerning its products, and any use of TI components in its applications, notwithstanding any applications-related information or support that may be provided by TI. Buyer represents and agrees that it has all the necessary expertise to create and implement safeguards which anticipate dangerous consequences of failures, monitor failures and their consequences, lessen the likelihood of failures that might cause harm and take appropriate remedial actions. Buyer will fully indemnify TI and its representatives against any damages arising out of the use of any TI components in safety-critical applications.

In some cases, TI components may be promoted specifically to facilitate safety-related applications. With such components, TI's goal is to help enable customers to design and create their own end-product solutions that meet applicable functional safety standards and requirements. Nonetheless, such components are subject to these terms.

No TI components are authorized for use in FDA Class III (or similar life-critical medical equipment) unless authorized officers of the parties have executed a special agreement specifically governing such use.

Only those TI components which TI has specifically designated as military grade or "enhanced plastic" are designed and intended for use in military/aerospace applications or environments. Buyer acknowledges and agrees that any military or aerospace use of TI components which have **not** been so designated is solely at the Buyer's risk, and that Buyer is solely responsible for compliance with all legal and regulatory requirements in connection with such use.

TI has specifically designated certain components as meeting ISO/TS16949 requirements, mainly for automotive use. In any case of use of non-designated products, TI will not be responsible for any failure to meet ISO/TS16949.

### Products

Audio	<a href="http://www.ti.com/audio">www.ti.com/audio</a>
Amplifiers	<a href="http://amplifier.ti.com">amplifier.ti.com</a>
Data Converters	<a href="http://dataconverter.ti.com">dataconverter.ti.com</a>
DLP® Products	<a href="http://www.dlp.com">www.dlp.com</a>
DSP	<a href="http://dsp.ti.com">dsp.ti.com</a>
Clocks and Timers	<a href="http://www.ti.com/clocks">www.ti.com/clocks</a>
Interface	<a href="http://interface.ti.com">interface.ti.com</a>
Logic	<a href="http://logic.ti.com">logic.ti.com</a>
Power Mgmt	<a href="http://power.ti.com">power.ti.com</a>
Microcontrollers	<a href="http://microcontroller.ti.com">microcontroller.ti.com</a>
RFID	<a href="http://www.ti-rfid.com">www.ti-rfid.com</a>
OMAP Applications Processors	<a href="http://www.ti.com/omap">www.ti.com/omap</a>
Wireless Connectivity	<a href="http://www.ti.com/wirelessconnectivity">www.ti.com/wirelessconnectivity</a>

### Applications

Automotive and Transportation	<a href="http://www.ti.com/automotive">www.ti.com/automotive</a>
Communications and Telecom	<a href="http://www.ti.com/communications">www.ti.com/communications</a>
Computers and Peripherals	<a href="http://www.ti.com/computers">www.ti.com/computers</a>
Consumer Electronics	<a href="http://www.ti.com/consumer-apps">www.ti.com/consumer-apps</a>
Energy and Lighting	<a href="http://www.ti.com/energy">www.ti.com/energy</a>
Industrial	<a href="http://www.ti.com/industrial">www.ti.com/industrial</a>
Medical	<a href="http://www.ti.com/medical">www.ti.com/medical</a>
Security	<a href="http://www.ti.com/security">www.ti.com/security</a>
Space, Avionics and Defense	<a href="http://www.ti.com/space-avionics-defense">www.ti.com/space-avionics-defense</a>
Video and Imaging	<a href="http://www.ti.com/video">www.ti.com/video</a>

### TI E2E Community

[e2e.ti.com](http://e2e.ti.com)