

System telemetry: What, why and how?

By Sureena Gupta

Worldwide Analog Marketing

Sami Sirhan

Analog Systems Engineering

Introduction

There has been a recent increase in demand for telemetry in many end-equipment applications using FPGAs or ASICs. The primary market segments with the largest increase in this demand have been in the computing, communications, defense, avionics and industrial markets. This article describes what telemetry is and examines several options for implementation.

First off, what is telemetry? As referred to in this article, telemetry is the measurement, control and automatic transmission of data through a digital interface such as PMBus, I²C or SPI. Why is telemetry needed in a power supply? Many end applications require voltage, current, temperature, power and several other device parameters to be monitored, and even controlled dynamically. For example, in a FPGA application with a multi-phase supply, telemetry could be used to add or shed one phase to adjust the solution for optimal performance. Other typical applications include servers, base stations, routers, defense applications, and test and measurement equipment.

How can telemetry be applied to your applications? There are several ways to incorporate telemetry into a system that gives the designer options for maximum control, flexibility and simplicity. For a maximum level of control, a digital power controller offers the advantage of integrated data converters with a microcontroller (MCU)

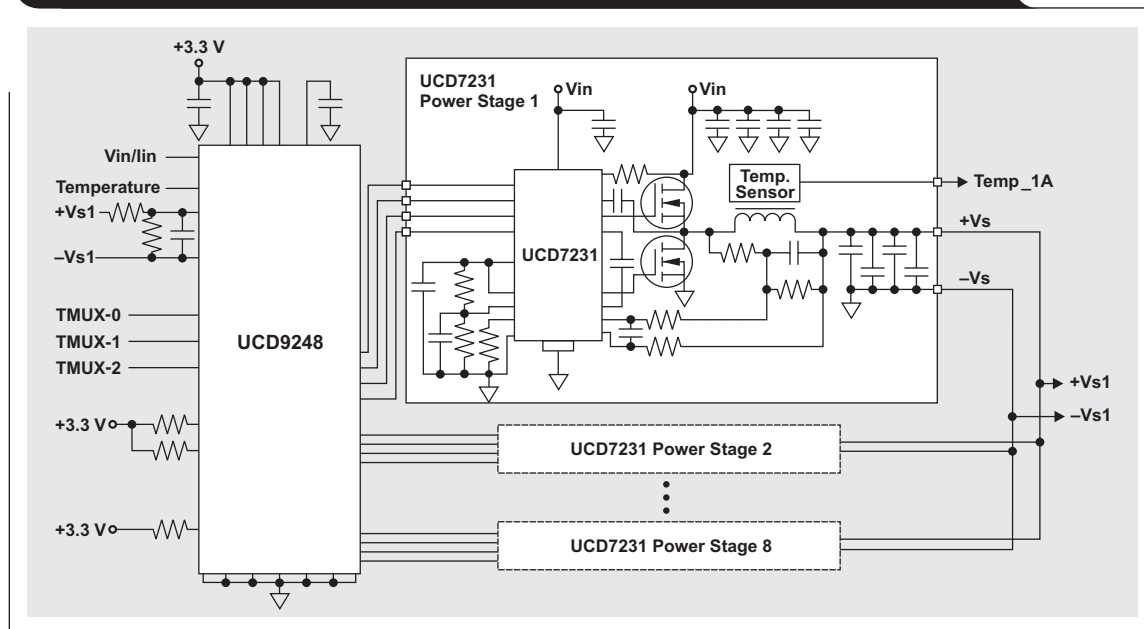
in addition to an extensive register set that can be used to capture and process the sensed data to manipulate the solution. If simplicity is desired for controlling the basic features, a controller with integrated PMBus (or I²C, SPI, and others) telemetry functions can be a good fit for your application. An alternative to power controllers with a digital interface would be a digital sequencer or system health monitor that can be used in combination with discrete analog controllers and converters.

Option 1: Maximum level of control

Digital power controller

Digital power solutions with an built-in precision analog-to-digital converter (ADC) help measure the input and output voltage and current to capture the telemetric data. This data can be used to set the fault conditions for protection and can be logged into non-volatile memory to help understand the cause of the fault. Additional features that can be incorporated in a digital power solution includes voltage tracking, margining, sequencing, soft-start timing, current balancing and phase adding/shedding, among others. Typically, digital power solutions come with a graphical user interface (GUI) that makes it easier for the end user to configure and track real-time data measurements. An example of a digital power solution is shown in Figure 1.

Figure 1: Digital Controller used with a Fusion GUI to control the power stages



Digital power solutions provide the utmost control and flexibility in terms of scalability, monitoring real-time data, and setting up consequences to certain fault conditions. However, the solution comes with a level of complexity and higher cost. While this makes it the right solution for certain applications, it is in excess for others.

Option 2: Simplicity

PMBus converters with integrated telemetry

If the objective is to simplify the solution compared to a digital power controller, an analog power IC with an integrated digital interface is another option. This option offers the key parameters and control of telemetry, but it lacks the extensive list of controls offered by a digital power controller. Here are a few PMBus registers that are commonly found in this type of solution to store data for measurement and system control.

- Output voltage margining and adjustment
- Soft-start time
- V_{DD} undervoltage lockout (UVLO) level
- Overcurrent protection/current limit setting
- Switching frequency

This solution can be more cost-effective and less complex than a purely digital power solution. The drawback, however, is that the solution is not as flexible due to a limited register set.

Option 3: Flexibility

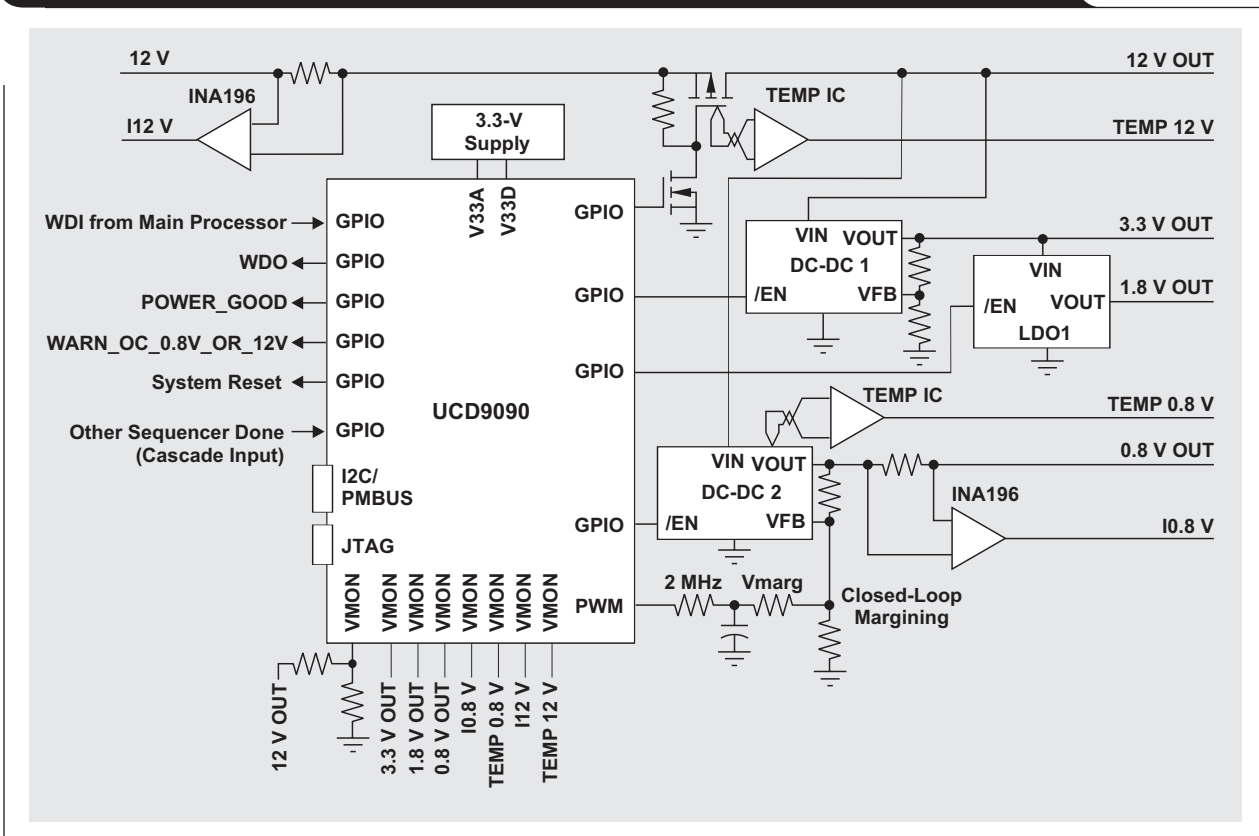
External digital-system health monitor + current sensor + temperature sensor

Another option for adding telemetry to a system is the addition of external ICs, such as a digital-system health monitor with high-precision current sensors and temperature sensors. This option provides the flexibility to use any power management IC in the industry (with or without digital interface). It also can be paired with these external ICs to provide telemetry.

A digital-system health monitor is an IC that includes rail sequencing, margining, UVLO, overvoltage protection (OVP), and a digital-communication interface. It captures and logs data that can be utilized for controlling the fault conditions and other system controls. If current and temperature also need to be monitored, the system health monitor can be used in conjunction with a current-sense amplifier and temperature sensor as shown in the Figure 2.

To accurately sense current, the current first must be converted to a voltage by placing a small-value, low-tolerance sense resistor in the current path. The voltage across the resistor can then be amplified through a current shunt monitor IC such as the INA196. This IC provides the necessary gain to provide an output voltage that can be sent to an ADC input of the digital health monitor and then to the FPGA.

Figure 2: System health monitor with current-sense amplifier and temperature sensor



There are some applications that require such high precision in measurements that an external high-resolution ADC is required, which comes with added cost. To save the cost of an independent ADC, power monitoring ICs (INA226) are available with an integrated precision ADC that can monitor voltage and current, calculate power and provide I²C telemetry (Figure 3).

Temperature monitoring is another common telemetry application that is similar to current monitoring. Some ICs, such as digital sequencers, are equipped with internal temperature sensors on the die to provide temperature monitoring. However, this limits temperature reading to only one point in the system; at the die. To monitor the temperatures at several points in a system, such as local to each power supply, remote temperature-monitoring ICs are available to convert temperature to voltage and provide telemetry interface.

Conclusion

There are many methods for measuring and controlling a system via telemetry. As a starting point, this article presented three options for integrating telemetry into your system. Digital power provides the utmost level of control, while an analog power solution with digital interface provides simplicity. The external system monitor provides the most flexibility in picking the right parts for the solution.

Related Web sites

Analog for Altera FPGAs:

www.ti.com/2q14-altera

Analog for Xilinx FPGAs:

www.ti.com/2q14-xilinx

www.ti.com/2q14-ucd7231

www.ti.com/2q14-ucd9090

www.ti.com/2q14-ucd9248

www.ti.com/2q14-ina196

www.ti.com/2q14-ina226

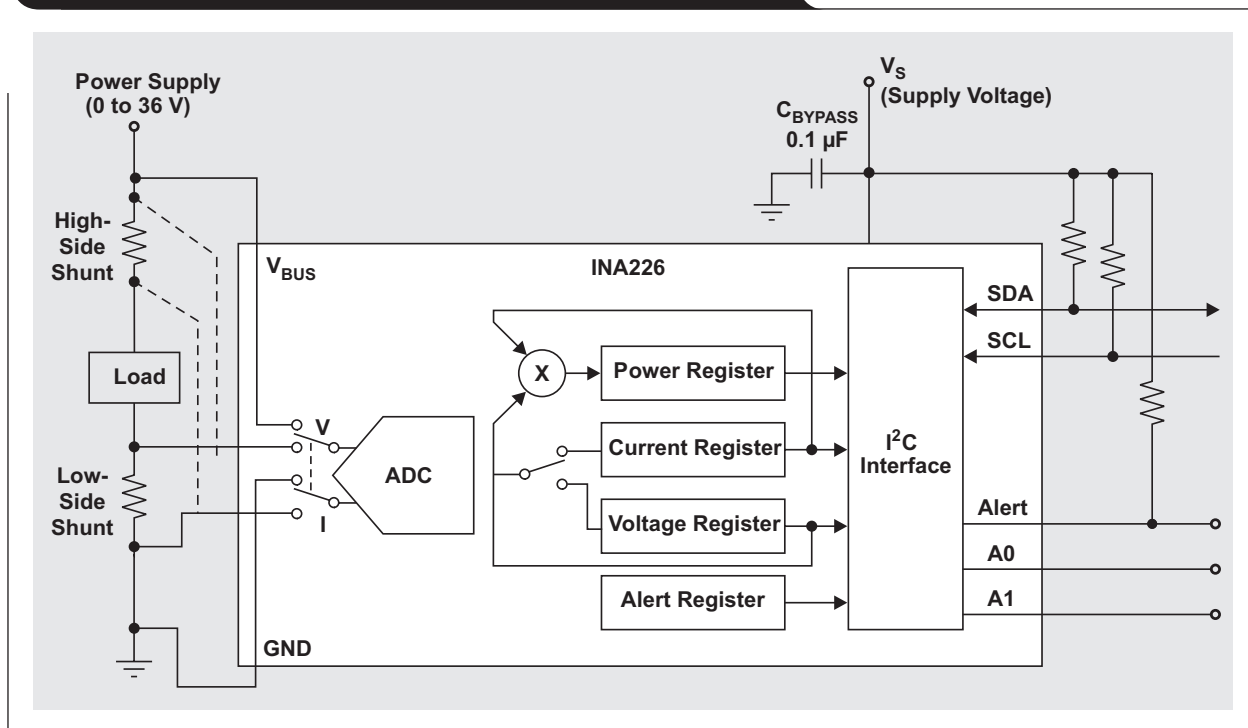
www.ti.com/2q14-tps544b20

www.ti.com/2q14-tmp75

Subscribe to the AAJ:

www.ti.com/subscribe-aaaj

Figure 3: Power monitor with integrated ADC and telemetry



TI Worldwide Technical Support

Internet

TI Semiconductor Product Information Center Home Page

support.ti.com

TI E2E™ Community Home Page

e2e.ti.com

Product Information Centers

Americas Phone +1(512) 434-1560

Brazil Phone 0800-891-2616

Mexico Phone 0800-670-7544

Fax +1(972) 927-6377
Internet/Email support.ti.com/sc/pic/americas.htm

Europe, Middle East, and Africa

Phone

European Free Call 00800-ASK-TEXAS
(00800 275 83927)
International +49 (0) 8161 80 2121
Russian Support +7 (4) 95 98 10 701

Note: The European Free Call (Toll Free) number is not active in all countries. If you have technical difficulty calling the free call number, please use the international number above.

Fax +49 (0) 8161 80 2045
Internet www.ti.com/asktexas
Direct Email asktexas@ti.com

Japan

Fax International +81-3-3344-5317
Domestic 0120-81-0036
Internet/Email International support.ti.com/sc/pic/japan.htm
Domestic www.tij.co.jp/pic

Asia

Phone Toll-Free Number

Note: Toll-free numbers may not support mobile and IP phones.

Australia 1-800-999-084
China 800-820-8682
Hong Kong 800-96-5941
India 000-800-100-8888
Indonesia 001-803-8861-1006
Korea 080-551-2804
Malaysia 1-800-80-3973
New Zealand 800-446-934
Philippines 1-800-765-7404
Singapore 800-886-1028
Taiwan 0800-006800
Thailand 001-800-886-0010

International +86-21-23073444
Fax +86-21-23073686
Email tiasia@ti.com or ti-china@ti.com
Internet support.ti.com/sc/pic/asia.htm

Important Notice: The products and services of Texas Instruments Incorporated and its subsidiaries described herein are sold subject to TI's standard terms and conditions of sale. Customers are advised to obtain the most current and complete information about TI products and services before placing orders. TI assumes no liability for applications assistance, customer's applications or product designs, software performance, or infringement of patents. The publication of information regarding any other company's products or services does not constitute TI's approval, warranty or endorsement thereof.

A021014

E2E and OMAP are trademarks and DLP is a registered trademark of Texas Instruments. All other trademarks are the property of their respective owners.

IMPORTANT NOTICE

Texas Instruments Incorporated and its subsidiaries (TI) reserve the right to make corrections, enhancements, improvements and other changes to its semiconductor products and services per JESD46, latest issue, and to discontinue any product or service per JESD48, latest issue. Buyers should obtain the latest relevant information before placing orders and should verify that such information is current and complete. All semiconductor products (also referred to herein as "components") are sold subject to TI's terms and conditions of sale supplied at the time of order acknowledgment.

TI warrants performance of its components to the specifications applicable at the time of sale, in accordance with the warranty in TI's terms and conditions of sale of semiconductor products. Testing and other quality control techniques are used to the extent TI deems necessary to support this warranty. Except where mandated by applicable law, testing of all parameters of each component is not necessarily performed.

TI assumes no liability for applications assistance or the design of Buyers' products. Buyers are responsible for their products and applications using TI components. To minimize the risks associated with Buyers' products and applications, Buyers should provide adequate design and operating safeguards.

TI does not warrant or represent that any license, either express or implied, is granted under any patent right, copyright, mask work right, or other intellectual property right relating to any combination, machine, or process in which TI components or services are used. Information published by TI regarding third-party products or services does not constitute a license to use such products or services or a warranty or endorsement thereof. Use of such information may require a license from a third party under the patents or other intellectual property of the third party, or a license from TI under the patents or other intellectual property of TI.

Reproduction of significant portions of TI information in TI data books or data sheets is permissible only if reproduction is without alteration and is accompanied by all associated warranties, conditions, limitations, and notices. TI is not responsible or liable for such altered documentation. Information of third parties may be subject to additional restrictions.

Resale of TI components or services with statements different from or beyond the parameters stated by TI for that component or service voids all express and any implied warranties for the associated TI component or service and is an unfair and deceptive business practice. TI is not responsible or liable for any such statements.

Buyer acknowledges and agrees that it is solely responsible for compliance with all legal, regulatory and safety-related requirements concerning its products, and any use of TI components in its applications, notwithstanding any applications-related information or support that may be provided by TI. Buyer represents and agrees that it has all the necessary expertise to create and implement safeguards which anticipate dangerous consequences of failures, monitor failures and their consequences, lessen the likelihood of failures that might cause harm and take appropriate remedial actions. Buyer will fully indemnify TI and its representatives against any damages arising out of the use of any TI components in safety-critical applications.

In some cases, TI components may be promoted specifically to facilitate safety-related applications. With such components, TI's goal is to help enable customers to design and create their own end-product solutions that meet applicable functional safety standards and requirements. Nonetheless, such components are subject to these terms.

No TI components are authorized for use in FDA Class III (or similar life-critical medical equipment) unless authorized officers of the parties have executed a special agreement specifically governing such use.

Only those TI components which TI has specifically designated as military grade or "enhanced plastic" are designed and intended for use in military/aerospace applications or environments. Buyer acknowledges and agrees that any military or aerospace use of TI components which have **not** been so designated is solely at the Buyer's risk, and that Buyer is solely responsible for compliance with all legal and regulatory requirements in connection with such use.

TI has specifically designated certain components as meeting ISO/TS16949 requirements, mainly for automotive use. In any case of use of non-designated products, TI will not be responsible for any failure to meet ISO/TS16949.

Products

Audio	www.ti.com/audio
Amplifiers	amplifier.ti.com
Data Converters	dataconverter.ti.com
DLP® Products	www.dlp.com
DSP	dsp.ti.com
Clocks and Timers	www.ti.com/clocks
Interface	interface.ti.com
Logic	logic.ti.com
Power Mgmt	power.ti.com
Microcontrollers	microcontroller.ti.com
RFID	www.ti-rfid.com
OMAP Applications Processors	www.ti.com/omap
Wireless Connectivity	www.ti.com/wirelessconnectivity

Applications

Automotive and Transportation	www.ti.com/automotive
Communications and Telecom	www.ti.com/communications
Computers and Peripherals	www.ti.com/computers
Consumer Electronics	www.ti.com/consumer-apps
Energy and Lighting	www.ti.com/energy
Industrial	www.ti.com/industrial
Medical	www.ti.com/medical
Security	www.ti.com/security
Space, Avionics and Defense	www.ti.com/space-avionics-defense
Video and Imaging	www.ti.com/video

TI E2E Community

e2e.ti.com