

DS15MB200,DS90LV004

Overcoming Impedance Discontinuities in High-Speed Signal Paths by Using LVDS (Signal Conditioners)



Literature Number: SNLA175



Overcoming Impedance Discontinuities in High-Speed Signal Paths by Using LVDS

by Brian Stearns, Principal Engineer

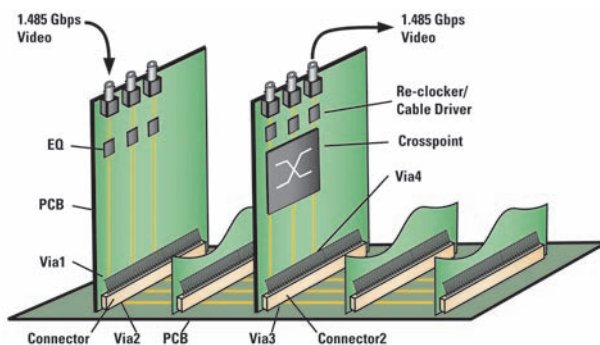


Figure 1. HD Video Router Diagram

At data rates from 400 Mbps to 1.5 Gbps, data signal paths become transmission lines. At these speeds the signal path model must include the reactive parasitic components in the cable or backplane. It is not just the data rate itself—the fast edge rates contain even higher frequency energy that react worse in distributed impedance environments. Ignoring parasitic impedances and impedance discontinuities above 200 Mbps will cause added noise in the transmission line, and data bit errors will occur.

Consider a basic High-Definition (HD) digital video router as an example of this challenge: HD video routers manage multiple HD source streams for distribution in broadcast, studio, or production video facilities. HD video channels operate from 270 Mbps up to 1.485 Gbps, demanding careful layout and consistent design practices to ensure the switching router system does not degrade the integrity of the video data.

In this system (Figure 1), an Adaptive Equalizer (EQ) receives the HD signal directly from the BNC connector.

A common backplane connects the signals from the input card to the switch card for output to the desired destination channel. The signals travel point-to-point from the EQ across the PCB approximately 8 inches to the backplane connector, then across ~3 to 15 inches of backplane (depending on the slot used) to a second connector, then across another 8 inches of PCB to the inputs of the crosspoint switch device. A re-clocker/cable driver connects directly to the outputs of the crosspoint switch to drive the signals across cables. These HD video router systems are modular and may have anywhere from 8 to 1000 input/output channels. Therefore, signal density can be very high.



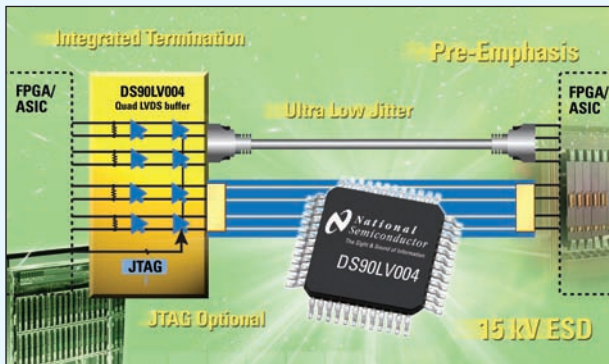
Figure 2. Example TDR Plot of Impedance Across the Signal Path (See Figure 1 for discontinuity locations)

The common FR4 circuit board materials are a consistent impedance environment, but the distributed parasitic impedances will have a negative effect on the signal quality. Most affected are the fast edge rates as a result of the numerous frequency components operating higher than the fundamental data rate, causing signal losses and sluggish transition times. In addition, all the interconnections between the components (such as the BNC connectors, integrated circuits, vias between board layers, or the connectors between boards) can cause impedance mismatches from the characteristic impedance (Z_0), which will also affect signal quality (Figure 2). The dense backplane connectors inductively load the signal path,

NEXT ISSUE:

Voltage-Controlled Filter

Featured Products



Four-Channel LVDS Repeater with Pre-Emphasis

The DS90LV004 is a four channel 1.5 Gbps LVDS buffer/repeater. High-speed data paths and flow-through pinout minimize internal device jitter and simplify board layout, while configurable pre-emphasis overcomes ISI jitter effects from lossy backplanes and cables. The differential inputs interface to LVDS, and Bus LVDS signals such as those on National's 10-, 16-, and 18-bit Bus LVDS SerDes, as well as CML and LVPECL. The differential inputs and outputs are internally terminated with a 100Ω resistor to improve performance and minimize board space. The repeater function is especially useful for boosting signals for longer distance transmission over lossy cables and backplanes.

Features

- Hot-plug protection
- LVDS/CML/LVPECL compatible input, LVDS output
- On-chip 100Ω input and output termination
- 15 kV ESD protection on LVDS inputs and outputs
- Single 3.3V supply
- Very low power consumption

The DS90LV004 operates over a wide temperature range (-40 to +85°C) making it ideal for telecom, datacom, industrial, medical, automotive, and office imaging applications applications. It is available in a TQFP-48 package.

For FREE samples, datasheets, and more, visit www.national.com/pf/DS/DS90LV004.html

Dual 1.5 Gbps 2:1/1:2 LVDS Mux/Buffer with Pre-Emphasis

The DS15MB200 is a dual-port 2 to 1 multiplexer and 1 to 2 repeater/buffer. High-speed data paths and flow-through pinout minimize internal device jitter and simplify board layout, while pre-emphasis overcomes ISI jitter effects from lossy backplanes and cables. The differential inputs and outputs interface to LVDS or Bus LVDS signals such as those on National's 10-, 16-, and 18-bit Bus LVDS SerDes, or to CML or LVPECL signals

Features

- 1.5 Gbps data rate per channel
- Configurable off/on pre-emphasis drives lossy back planes and cables
- Low output skew and jitter
- On-chip 100Ω input and output termination
- 15 kV ESD protection on LVDS inputs/outputs
- Hot-plug protection



The DS15MB200 features a 3.3V supply, CMOS process, and robust I/O ensure high performance at low power over a wide temperature range (-40 to +85°C) making it ideal for base-stations, DSLAMs, routers, switches, and industrial systems applications. It is available in LLP-48 packaging.

For FREE samples, datasheets, and more, visit www.national.com/pf/DS/DS15MB200.html

Overcoming Impedance Discontinuities in High-Speed Signal Paths by Using LVDS

while vias in the PCB capacitively load the signal path. Signal reflections will occur at any location along a transmission path where a change in impedance exists. These reflections and parasitic impedances will cause loss of signal amplitude, ringing, rise time degradation, and EMI.

In this example system there can be up to 31 inches of FR4 from the EQ outputs to the input of the crosspoint switch, with several impedance discontinuities along the way. If the speed of the incident edge is 175 to 200 ps/inch down this path, and the data rate is 1.485 Gbps (half-wavelength = 343 ps), then there can be as many as 18 transitional edges on the path at any given time. Reflections caused by the incident edge at impedance mismatches will affect all the edges present on the signal path. Reflections from edges 1 through 17 will greatly distort edge number 18 by the time it arrives at the end of the signal path. The resulting eye pattern (Figure 3) shows the loss of amplitude, excessive jitter, and rise/fall time degradation.

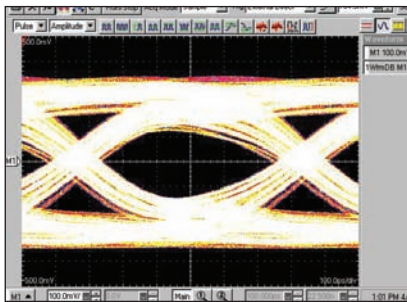


Figure 3. Eye Pattern at Input to Crosspoint Switch After 31" of FR4

One possible solution to this challenge is to use higher quality connectors between the daughter cards and the backplane. This will minimize the discontinuities of the connectors. Better via design will further flatten the TDR measurement plots so that the apparent impedance over the length of the signal path stays much closer to Z_0 .

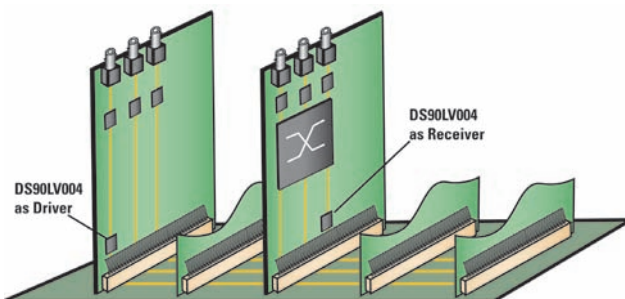


Figure 4. Buffer Locations to Overcome Impedance Discontinuities

Another, more cost-effective solution is to use a simple LVDS buffer, such as the DS90LV004, to drive and receive the signal across the backplane. This effectively breaks the transmission path into smaller segments to mask the impedance mismatch and diminish signal attenuation. Place a buffer at the edge of the daughter card to drive the connector and backplane, a second buffer on the switch daughter card to receive the signals (Figure 4), and re-drive them to the input of the crosspoint switch to effectively hide the impedance discontinuities between the two buffers (Figure 5). Proper terminations also ensure that the receiver absorbs all the energy in the line and none reflects back to the source.

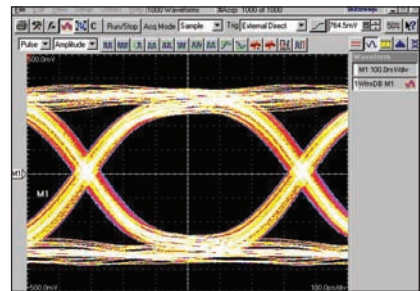


Figure 5. Eye Pattern at the Crosspoint Input with DS90LV004 Buffers Isolating the Backplane Connections

In addition, the buffers typically offer additional signal quality enhancements to improve the original signal. For example, buffers featuring input equalization will remove the deterministic jitter from the media losses before delivery across the backplane. Output pre-emphasis can boost the amplitude of the signal, further opening the eye pattern at the crosspoint inputs or receiver. High ESD ratings on the buffer I/O protect the other components on the daughter cards from ESD events elsewhere on the backplane.

Summary

High-speed interfaces across backplanes require impedance control along the entire signal path. Using simple LVDS buffers to isolate impedance discontinuities or to shorten the interconnect lengths can reduce system costs and enhance the interface performance by eliminating the need for expensive high-frequency connectors. ■

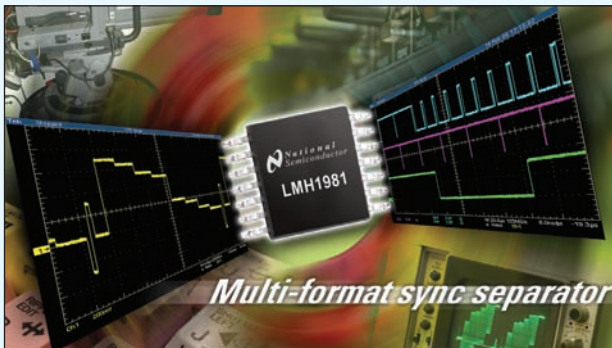
Sign-up for email alerts of new issues at edge.national.com

Featured Products

Multi-Format Video Sync Separator

The LMH1981 is a multi-format sync separator for high-definition broadcast and professional video systems. The device automatically detects the input video format and performs all the necessary sync separation to generate low-jitter horizontal and vertical sync signals for standard and high-definition video formats, including NTSC, PAL, SECAM, 480i, 480p, 576i, 576p, 720p, 1080i, and 1080p.

The LMH1981 features the timing outputs needed for any video system, including horizontal, vertical and composite sync, odd/even field, burst/back porch clamp, and a patented automatic video-format detection feature. The device accepts both bi- and tri-level sync video inputs and features 50% slicing to ensure accurate separation of signals that vary in amplitude, offset, and noise. The device has a wide input range, allowing the inputs to accept video signals from 500 mV_{P-P} to 2 V_{P-P}.



Features

- 50% Sync slicing
- Low jitter horizontal sync outputs
- Supports NTSC, PAL, SECAM, 480i, 480p, 576i, 576p, 720p, 1080i, and 1080p
- Accepts video signals from 500 mV_{P-P} to 2 V_{P-P}
- No external programming with μ C required
- Horizontal sync output propagation delay <50 ns

The LMH1981 is ideal for use in a wide range of video applications such as, broadcast video equipment, video distribution, DTV and HDTV systems, and is available in TSSOP-14 packaging.

For FREE samples, datasheets, and more, visit www.national.com/pf/LM/LMH1981.html



Analog Crosspoint Switches for High-Resolution Video Applications



The LMH[®] family of high speed amplifiers is joined by the LMH6582 and LMH6583 16 x 8 analog crosspoint switches. The devices are available in a gain of 1 (LMH6582) and gain of 2 (LMH6583) options and are completely non-blocking. Allowing an output to be connected to any input, including an input that is already selected. The devices can be used in distribution applications where each output is connected to the same input, also known as broadcast mode. The inputs and outputs are also fully-buffered, allowing impedance matching to any source at the inputs and capability to drive up to two back terminated 75 Ω video loads on the outputs.

Designed on National's proprietary VIP10 process, both devices offer significant speed and crosstalk performance over competitive solutions. The 500 MHz of bandwidth and 0.1 dB gain flatness out to 100 MHz support high resolution video formats to QXGA (2048 x 1536) and beyond.

Features

- 500 MHz, -3 dB Bandwidth
- Fast slew rate: 3000 V/ μ s
- 100 MHz, 0.1 dB gain flatness
- Low crosstalk:
 - -70 dBc at 5 MHz
 - -50 dBc at 100 MHz
- Gain =1 and gain =2 options available
- Serial programming

The LMH6582 and LMH6583 are ideal for use in wideband routers and switchers, conference room systems, keyboard/video/mouse systems, multimedia video systems, and professional A/V systems. These products are available in a unique TQFP-64 package.

For FREE samples, datasheets, and more, visit www.national.com/pf/LM/LMH6582.html
www.national.com/pf/LM/LMH6583.html

IMPORTANT NOTICE

Texas Instruments Incorporated and its subsidiaries (TI) reserve the right to make corrections, modifications, enhancements, improvements, and other changes to its products and services at any time and to discontinue any product or service without notice. Customers should obtain the latest relevant information before placing orders and should verify that such information is current and complete. All products are sold subject to TI's terms and conditions of sale supplied at the time of order acknowledgment.

TI warrants performance of its hardware products to the specifications applicable at the time of sale in accordance with TI's standard warranty. Testing and other quality control techniques are used to the extent TI deems necessary to support this warranty. Except where mandated by government requirements, testing of all parameters of each product is not necessarily performed.

TI assumes no liability for applications assistance or customer product design. Customers are responsible for their products and applications using TI components. To minimize the risks associated with customer products and applications, customers should provide adequate design and operating safeguards.

TI does not warrant or represent that any license, either express or implied, is granted under any TI patent right, copyright, mask work right, or other TI intellectual property right relating to any combination, machine, or process in which TI products or services are used. Information published by TI regarding third-party products or services does not constitute a license from TI to use such products or services or a warranty or endorsement thereof. Use of such information may require a license from a third party under the patents or other intellectual property of the third party, or a license from TI under the patents or other intellectual property of TI.

Reproduction of TI information in TI data books or data sheets is permissible only if reproduction is without alteration and is accompanied by all associated warranties, conditions, limitations, and notices. Reproduction of this information with alteration is an unfair and deceptive business practice. TI is not responsible or liable for such altered documentation. Information of third parties may be subject to additional restrictions.

Resale of TI products or services with statements different from or beyond the parameters stated by TI for that product or service voids all express and any implied warranties for the associated TI product or service and is an unfair and deceptive business practice. TI is not responsible or liable for any such statements.

TI products are not authorized for use in safety-critical applications (such as life support) where a failure of the TI product would reasonably be expected to cause severe personal injury or death, unless officers of the parties have executed an agreement specifically governing such use. Buyers represent that they have all necessary expertise in the safety and regulatory ramifications of their applications, and acknowledge and agree that they are solely responsible for all legal, regulatory and safety-related requirements concerning their products and any use of TI products in such safety-critical applications, notwithstanding any applications-related information or support that may be provided by TI. Further, Buyers must fully indemnify TI and its representatives against any damages arising out of the use of TI products in such safety-critical applications.

TI products are neither designed nor intended for use in military/aerospace applications or environments unless the TI products are specifically designated by TI as military-grade or "enhanced plastic." Only products designated by TI as military-grade meet military specifications. Buyers acknowledge and agree that any such use of TI products which TI has not designated as military-grade is solely at the Buyer's risk, and that they are solely responsible for compliance with all legal and regulatory requirements in connection with such use.

TI products are neither designed nor intended for use in automotive applications or environments unless the specific TI products are designated by TI as compliant with ISO/TS 16949 requirements. Buyers acknowledge and agree that, if they use any non-designated products in automotive applications, TI will not be responsible for any failure to meet such requirements.

Following are URLs where you can obtain information on other Texas Instruments products and application solutions:

Products

Audio	www.ti.com/audio
Amplifiers	amplifier.ti.com
Data Converters	dataconverter.ti.com
DLP® Products	www.dlp.com
DSP	dsp.ti.com
Clocks and Timers	www.ti.com/clocks
Interface	interface.ti.com
Logic	logic.ti.com
Power Mgmt	power.ti.com
Microcontrollers	microcontroller.ti.com
RFID	www.ti-rfid.com
OMAP Mobile Processors	www.ti.com/omap
Wireless Connectivity	www.ti.com/wirelessconnectivity

Applications

Communications and Telecom	www.ti.com/communications
Computers and Peripherals	www.ti.com/computers
Consumer Electronics	www.ti.com/consumer-apps
Energy and Lighting	www.ti.com/energy
Industrial	www.ti.com/industrial
Medical	www.ti.com/medical
Security	www.ti.com/security
Space, Avionics and Defense	www.ti.com/space-avionics-defense
Transportation and Automotive	www.ti.com/automotive
Video and Imaging	www.ti.com/video

TI E2E Community Home Page

e2e.ti.com

Mailing Address: Texas Instruments, Post Office Box 655303, Dallas, Texas 75265
Copyright © 2011, Texas Instruments Incorporated