

How to Use the LM8342 VCOM Calibrator

ABSTRACT

This application report explains how to use the LM8342 programmable VCOM calibrator device in AMLCD applications. It recommends circuit configurations for unipolar (AVDD) and bipolar (\pm AVDD) displays, explains how to set the output voltage adjustment range, and how to add a positive or negative offset voltage. Worked examples are included for each case.

This application report is aimed at electronic design engineers who develop the electronics for AMLCDs such as those used in TVs, monitors, notebook or tablet PCs, and industrial and automotive applications.

Contents

1	Introduction	1
2	Principle of Operation	2
3	Using the LM8342 With Unipolar Displays	3
4	Using the LM8342 With Bipolar Displays	5
5	Summary and Conclusion	9
6	References	9

List of Figures

1	LM8342 Internal Block Diagram	2
2	Recommended Application Circuit for Unipolar Displays	3
3	Final Application Circuit for Design Example 1	5
4	Recommended Application Circuit for Bipolar Displays	5
5	Final Application Circuit for Design Example 2	7
6	Final Application Circuit for Design Example 3	8
7	Final Application Circuit for Design Example 4	9

1 Introduction

The LM8342 VCOM calibrator device was developed at a time when almost all liquid crystal displays (LCDs) were unipolar. Unipolar displays use one positive AV_{DD} supply and a V_{COM} voltage just below half of AV_{DD}. For example, AV_{DD} might be 10 V and V_{COM} from 4.5 V to 5 V. Many modern displays, however, are bipolar, and use a \pm AV_{DD} supply and a V_{COM} voltage that is slightly negative. For example, AV_{DD} might be \pm 5 V and V_{COM} from -0.5 V to 0 V.

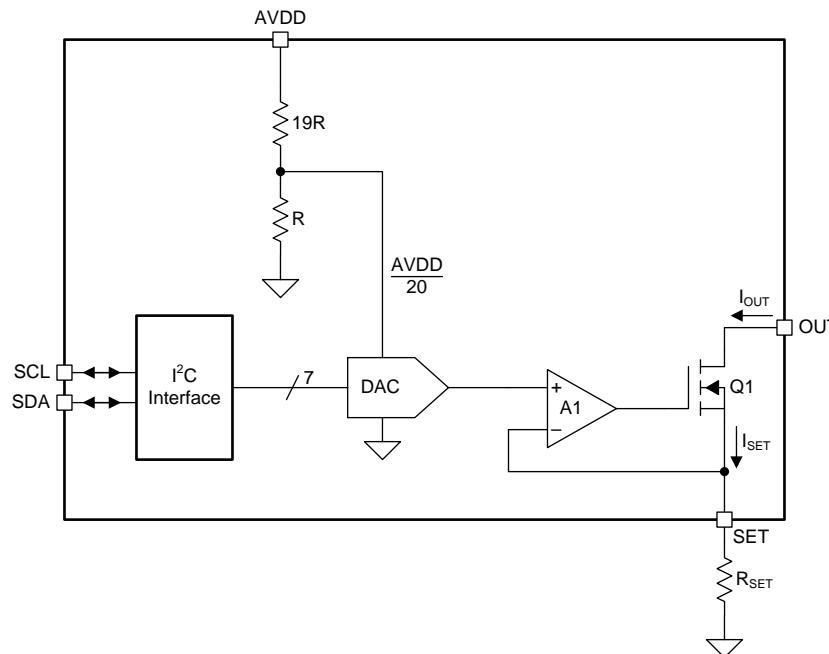
This application report explains how to use the LM8342 device to generate V_{COM} voltages for both unipolar and bipolar display applications. Note that all design examples in this application note use the E96 series of standard resistor values. The E48 or E24 resistor series can be used, but the V_{COM} range will be less accurately defined.

NOTE: Texas Instruments has developed a Microsoft® Excel® spreadsheet allowing easy calculation of the external component values for the LM8342. The spreadsheet is available free of charge from the [LM8342](#) product folder on ti.com.

2 Principle of Operation

Figure 1 shows a simplified block diagram of the internal circuitry of the LM8342. The main functional blocks of this device are:

- A 7-bit digital-to-analog converter (DAC)
- An I²C interface
- An operational amplifier
- An NMOS output transistor



Copyright © 2018, Texas Instruments Incorporated

Figure 1. LM8342 Internal Block Diagram

Amplifier A1 adjusts the gate voltage of transistor Q1 so that the voltage on the SET pin equals the output voltage of the DAC. When this happens:

$$V_{(\text{SET})} = V_{(\text{DAC})} = \left(\frac{V_{(\text{AVDD})}}{20} \right) \left(\frac{N + 1}{128} \right)$$

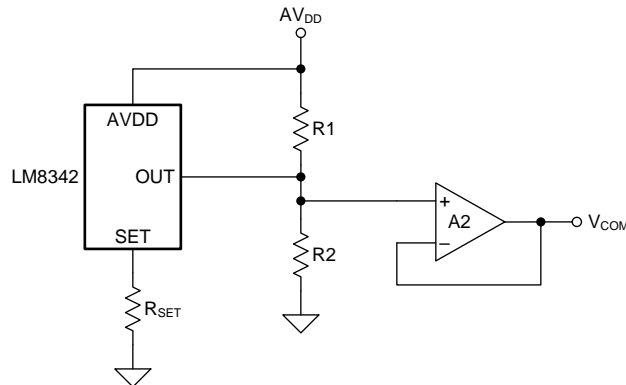
where

- N is the 7-bit digital input of the DAC
- $V_{(\text{DAC})}$ is the output voltage of the DAC
- $V_{(\text{SET})}$ is the voltage on the SET pin
- $V_{(\text{AVDD})}$ is the voltage on the AVDD pin

(1)

3 Using the LM8342 With Unipolar Displays

Figure 2 shows the recommended application circuit for unipolar display applications.



Copyright © 2018, Texas Instruments Incorporated

Figure 2. Recommended Application Circuit for Unipolar Displays

An external resistor connected between the SET pin and ground sets the current flowing through Q1 so that:

$$I_{(OUT)} = \left(\frac{AV_{DD}}{20} \right) \left(\frac{N+1}{128} \right) \left(\frac{1}{R_{SET}} \right)$$

where

- $I_{(OUT)}$ is the current flowing into the OUT pin
- R_{SET} is the resistance between the SET pin and ground

The minimum output current is generated when $N = 0$ and is given by Equation 3:

$$I_{(OUT) \min} = \frac{AV_{DD}}{2560 \times R_{SET}} \quad (3)$$

The maximum output current is generated when $N = 127$ and is given by Equation 4:

$$I_{(OUT) \max} = \frac{AV_{DD}}{20 \times R_{SET}} \quad (4)$$

The output current adjustment range is the difference between the minimum and maximum output currents and is:

$$\Delta I_{(OUT)} = \frac{127 \times AV_{DD}}{2560 \times R_{SET}} \quad (5)$$

The LM8342 is specified for full-scale output currents from 5 μA to 100 μA . For most applications TI recommends choosing a maximum value for $I_{(OUT)}$ close to, but not greater than 100 μA . To minimize current consumption, use a smaller value, but be aware that circuits that use smaller currents can be more susceptible to noise.

Rearranging Equation 4 provides:

$$R_{SET} = \frac{AV_{DD}}{20 \times I_{(OUT) \max}} \quad (6)$$

The maximum V_{COM} voltage of this circuit is generated with the minimum $I_{\text{(OUT)}}$ and is given by Equation 7:

$$V_{\text{COM max}} = AV_{\text{DD}} \left(\frac{R2}{R1 + R2} \right) \left(1 - \frac{R1}{2560 \times R_{\text{SET}}} \right) \quad (7)$$

The minimum V_{COM} voltage is generated with the maximum $I_{\text{(OUT)}}$ and is given by Equation 8:

$$V_{\text{COM min}} = AV_{\text{DD}} \left(\frac{R2}{R1 + R2} \right) \left(1 - \frac{R1}{20 \times R_{\text{SET}}} \right) \quad (8)$$

The V_{COM} adjustment range is the difference between the minimum and maximum values of V_{COM} and is given by Equation 9:

$$\Delta V_{\text{COM}} = \left(\frac{R1 \times R2}{R1 + R2} \right) \left(\frac{127 \times AV_{\text{DD}}}{2560 \times R_{\text{SET}}} \right) \quad (9)$$

Rearranging Equation 7, Equation 8, and Equation 9 provides Equation 10:

$$R1 = \frac{\Delta V_{\text{COM}} \times 2560 \times R_{\text{SET}}}{(127 \times V_{\text{COM max}}) + \Delta V_{\text{COM}}} \quad (10)$$

and

$$R2 = \frac{R1}{\left(\frac{127 \times R1 \times AV_{\text{DD}}}{\Delta V_{\text{COM}} \times 2560 \times R_{\text{SET}}} \right) - 1} \quad (11)$$

Equation 6, Equation 10, and Equation 11 are all that is needed to design the application circuit for a unipolar display.

3.1 Design Example 1 – Unipolar Display

Consider these design requirements:

- $AV_{\text{DD}} = 12 \text{ V}$
- $V_{\text{COM min}} = 5 \text{ V}$
- $V_{\text{COM max}} = 6 \text{ V}$
- $\Delta V_{\text{COM}} = 1 \text{ V}$

First, use Equation 6 to calculate the value of R_{SET} :

$$R_{\text{SET}} = \frac{12 \text{ V}}{20 \times 100 \times 10^{-6}} = 6 \text{ k}\Omega$$

The closest standard value greater than or equal to 6 k Ω is 6.04 k Ω , which will generate a full-scale current of 99.3 μA .

Next, use Equation 10 to calculate the value of R1:

$$R1 = \frac{1 \times 2560 \times 6040}{(127 \times 6) + 1} = 20.27 \text{ k}\Omega$$

The standard value closest to 20.27 k Ω is 20.5 k Ω .

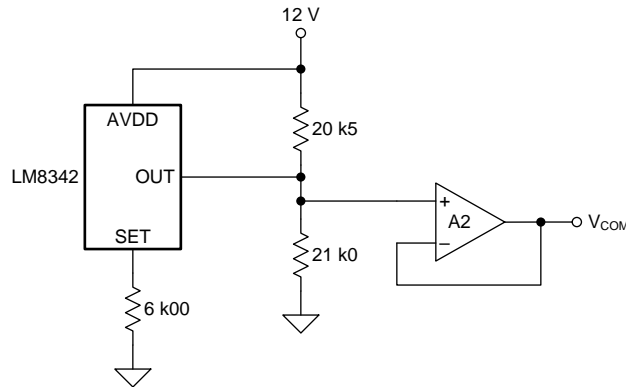
Finally, use Equation 11 to calculate the value of R2:

$$R2 = \frac{20500}{\left(\frac{127 \times 20500 \times 12}{1 \times 2560 \times 6040} \right) - 1} = 20.09 \text{ k}\Omega$$

The standard value closest to 20.09 k Ω is 21 k Ω .

Figure 3 shows the final circuit, which has the following performance:

- $V_{COMmin} = 5.042\text{ V}$
- $V_{COMmax} = 6.064\text{ V}$
- $\Delta V_{COM} = 1.022\text{ V}$



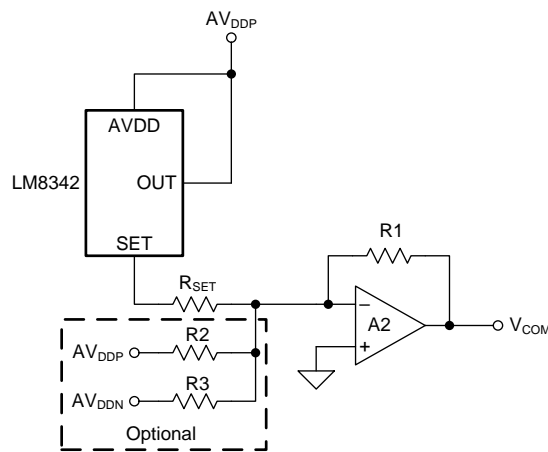
Copyright © 2018, Texas Instruments Incorporated

Figure 3. Final Application Circuit for Design Example 1

4 Using the LM8342 With Bipolar Displays

Figure 4 shows the application circuit TI recommends for bipolar displays. This circuit uses Q1 as a source follower, with its drain (the OUT pin) connected to the positive supply and the output voltage taken from the SET pin. The positive voltage on the SET pin is inverted and amplified by amplifier A2 to generate a negative V_{COM} voltage. Resistors R2 and R3 are optional:

- Include R2 and leave R3 open when adding a *negative* offset to the output voltage
- Include R3 and leave R2 open when adding a *positive* offset to the output voltage



Copyright © 2018, Texas Instruments Incorporated

Figure 4. Recommended Application Circuit for Bipolar Displays

The circuit of Figure 4 generates an output voltage of:

$$V_{COM} = - \left(\frac{AV_{DDP}}{20 \times R_{SET}} \right) \left(\frac{N+1}{128} \right) R1 \tag{12}$$

The minimum (most negative) output voltage is:

$$V_{\text{COM min}} = - \left(\frac{AV_{\text{DDP}}}{20 \times R_{\text{SET}}} \right) R1 \quad (13)$$

The maximum (least negative) output voltage is:

$$V_{\text{COM max}} = - \left(\frac{AV_{\text{DDP}}}{2560 \times R_{\text{SET}}} \right) R1 \quad (14)$$

The output voltage adjustment range is:

$$\Delta V_{\text{COM}} = - \left(\frac{127 \times AV_{\text{DDP}}}{2560 \times R_{\text{SET}}} \right) R1 \quad (15)$$

Rearranging Equation 15 provides Equation 16:

$$R1 = \frac{\Delta V_{\text{COM}} \times 2560 \times R_{\text{SET}}}{127 \times AV_{\text{DDP}}} \quad (16)$$

4.1 Design Example 2 – Bipolar Display Without Offset

Consider these design requirements:

- $AV_{\text{DD}} = \pm 5 \text{ V}$
- $V_{\text{COM max}} = 0 \text{ V}$
- $V_{\text{COM min}} = -0.45 \text{ V}$
- $\Delta V_{\text{COM}} = 0.45 \text{ V}$

First, choose a value for the full-scale output current. TI recommends a value close to, but not greater than, 100 μA . Use Equation 6 to calculate the value of R_{SET} :

$$R_{\text{SET}} = \frac{5 \text{ V}}{20 \times 100 \times 10^{-6}} = 2.5 \text{ k}\Omega$$

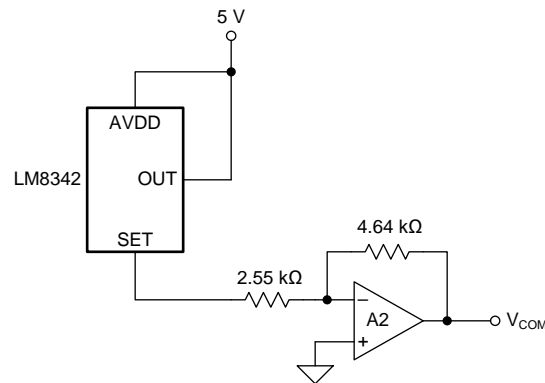
The standard value closest to, but not less than 2.5 k Ω , is 2.55 k Ω .

Next, use Equation 16 to calculate the value of R1.

$$R1 = \frac{0.45 \times 2560 \times 2550}{127 \times 5} = 4.626 \text{ k}\Omega$$

The standard value closest to 4.626 k Ω is 4.64 k Ω . With the standard values chosen, the performance of the final circuit is:

- $V_{\text{COM max}} = -0.004 \text{ V}$
- $V_{\text{COM min}} = -0.455 \text{ V}$
- $\Delta V_{\text{COM}} = 0.451 \text{ V}$



Copyright © 2018, Texas Instruments Incorporated

Figure 5. Final Application Circuit for Design Example 2

Because the minimum output voltage is not zero but 1/128 of the full-scale value, the maximum output voltage of this configuration is never exactly zero. If the maximum V_{COM} voltage in the application must be zero, an additional resistor must be used to generate a positive offset voltage. To add a positive offset to the V_{COM} voltage, connect a resistor between the inverting input of the V_{COM} buffer and the AV_{DDN} supply. This will add an offset voltage of:

$$V_{COM \text{ offset}} = -AV_{DDN} \times \frac{R1}{R3} \quad (17)$$

Rearranging Equation 17 produces Equation 18:

$$R3 = - \frac{R1 \times AV_{DDN}}{V_{COM \text{ offset}}} \quad (18)$$

Similarly, for a negative offset, use Equation 19:

$$R2 = - \frac{R1 \times AV_{DDP}}{V_{COM \text{ offset}}} \quad (19)$$

4.2 Design Example 3 – Bipolar Display With Positive Offset

Consider these design requirements:

- $AV_{DD} = \pm 5.6 \text{ V}$
- $V_{COM \text{ max}} = 0.25 \text{ V}$
- $V_{COM \text{ min}} = -0.5 \text{ V}$
- $\Delta V_{COM} = 0.75 \text{ V}$

First, choose a value for the full-scale output current. TI recommends a value close to, but not greater than, 100 μA . Use Equation 6 to calculate the value of R_{SET} :

$$R_{SET} = \frac{5.6 \text{ V}}{20 \times 100 \times 10^{-6}} = 2.8 \text{ k}\Omega$$

The value, 2.8 k Ω is a standard value, use that for R_{SET} .

Next, use Equation 16 to calculate the value of R1:

$$R1 = \frac{0.75 \times 2560 \times 2800}{127 \times 5.6} = 7.559 \text{ k}\Omega$$

The standard value closest to 7.559 k Ω is 7.5 k Ω .

Next, use Equation 14 to calculate the maximum (least negative) V_{COM} voltage without R3:

$$V_{COM\ max} = -\left(\frac{5.6}{2560 \times 2800}\right)7500 = -5.9\ mV$$

R3, therefore, must add a positive offset of $0.25\ V + 5.9\ mV = 256\ mV$.

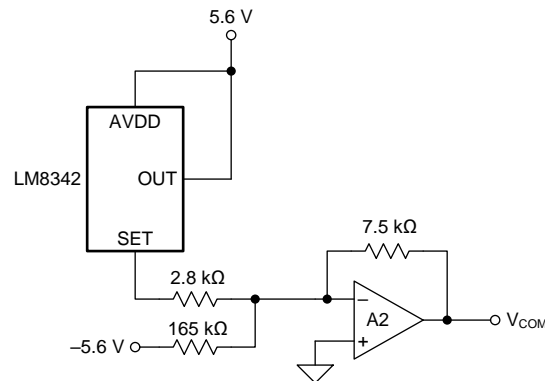
Finally, use Equation 18 to calculate the value of R3 needed to generate the desired offset voltage:

$$R3 = -\frac{7500(-5.6)}{0.256} = 164.1\ k\Omega$$

The standard value closest to 164.1 kΩ is 165 kΩ.

With the standard values chosen, the performance of the final circuit is:

- $V_{COM\ max} = 0.249\ V$
- $V_{COM\ min} = -0.496\ V$
- $\Delta V_{COM} = 0.745\ V$



Copyright © 2018, Texas Instruments Incorporated

Figure 6. Final Application Circuit for Design Example 3

4.3 Design Example 4 – Bipolar Display With Negative Offset

Consider these design requirements:

- $AV_{DD} = \pm 6.3\ V$
- $V_{COM\ max} = -0.25\ V$
- $V_{COM\ min} = -0.75\ V$
- $\Delta V_{COM} = 0.5\ V$

To generate a negative offset voltage, an additional resistor R2 must be connected between the inverting input of the VCOM buffer and the AV_{DDP} supply.

First, choose a value for the full-scale output current. TI recommends a value close to, but not greater than, 100 μA. Use Equation 6 to calculate the value of R_{SET} :

$$R_{SET} = \frac{6.3}{20 \times 100 \times 10^{-6}} = 3.15\ k\Omega$$

The closest standard value greater than or equal to 3.15 kΩ is 3.16 kΩ, which will generate a full-scale current of 99.68 μA.

Next, use Equation 16 to calculate the value of R1:

$$R1 = \frac{0.5 \times 2560 \times 3160}{127 \times 6.3} = 5.055\ k\Omega$$

The standard value closest to 5.055 kΩ is 5.11 kΩ.

Next, use Equation 14 to calculate the maximum (least negative) VCOM voltage without R3:

$$V_{\text{COM max}} = -\left(\frac{6.3}{2560 \times 3150}\right) 5110 = -4 \text{ mV}$$

R2, therefore, must add a negative offset of $0.25 \text{ V} - 4 \text{ mV} = -246 \text{ mV}$.

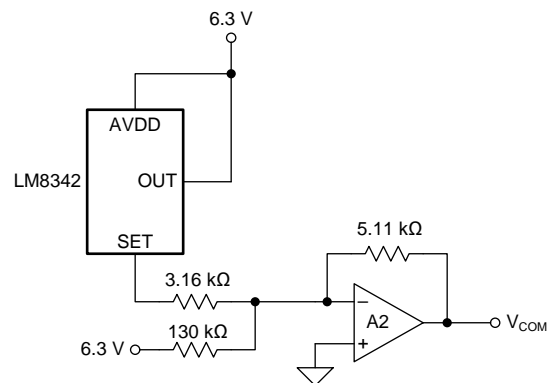
Finally, use Equation 19 to calculate the value of R2 needed to generate the desired offset voltage:

$$R2 = -\frac{5110 \times 6.3}{0.246} = 130.9 \text{ k}\Omega$$

The standard value closest to 130.9 kΩ is 130 kΩ.

With the standard values chosen, the performance of the final circuit is:

- $V_{\text{COM max}} = -0.252 \text{ V}$
- $V_{\text{COM min}} = -0.757 \text{ V}$
- $\Delta V_{\text{COM}} = 0.505 \text{ V}$



Copyright © 2018, Texas Instruments Incorporated

Figure 7. Final Application Circuit for Design Example 4

5 Summary and Conclusion

The LM8342 is a 7-bit VCOM calibrator device that can be used in unipolar and bipolar applications. If the resistors in the application circuit are selected correctly, the VCOM adjustment range can be changed to suit any application.

6 References

- Texas Instruments, [LM8342 Programmable TFT VCOM Calibrator with Non-Volatile Memory Data Sheet](#)

IMPORTANT NOTICE FOR TI DESIGN INFORMATION AND RESOURCES

Texas Instruments Incorporated ("TI") technical, application or other design advice, services or information, including, but not limited to, reference designs and materials relating to evaluation modules, (collectively, "TI Resources") are intended to assist designers who are developing applications that incorporate TI products; by downloading, accessing or using any particular TI Resource in any way, you (individually or, if you are acting on behalf of a company, your company) agree to use it solely for this purpose and subject to the terms of this Notice.

TI's provision of TI Resources does not expand or otherwise alter TI's applicable published warranties or warranty disclaimers for TI products, and no additional obligations or liabilities arise from TI providing such TI Resources. TI reserves the right to make corrections, enhancements, improvements and other changes to its TI Resources.

You understand and agree that you remain responsible for using your independent analysis, evaluation and judgment in designing your applications and that you have full and exclusive responsibility to assure the safety of your applications and compliance of your applications (and of all TI products used in or for your applications) with all applicable regulations, laws and other applicable requirements. You represent that, with respect to your applications, you have all the necessary expertise to create and implement safeguards that (1) anticipate dangerous consequences of failures, (2) monitor failures and their consequences, and (3) lessen the likelihood of failures that might cause harm and take appropriate actions. You agree that prior to using or distributing any applications that include TI products, you will thoroughly test such applications and the functionality of such TI products as used in such applications. TI has not conducted any testing other than that specifically described in the published documentation for a particular TI Resource.

You are authorized to use, copy and modify any individual TI Resource only in connection with the development of applications that include the TI product(s) identified in such TI Resource. NO OTHER LICENSE, EXPRESS OR IMPLIED, BY ESTOPPEL OR OTHERWISE TO ANY OTHER TI INTELLECTUAL PROPERTY RIGHT, AND NO LICENSE TO ANY TECHNOLOGY OR INTELLECTUAL PROPERTY RIGHT OF TI OR ANY THIRD PARTY IS GRANTED HEREIN, including but not limited to any patent right, copyright, mask work right, or other intellectual property right relating to any combination, machine, or process in which TI products or services are used. Information regarding or referencing third-party products or services does not constitute a license to use such products or services, or a warranty or endorsement thereof. Use of TI Resources may require a license from a third party under the patents or other intellectual property of the third party, or a license from TI under the patents or other intellectual property of TI.

TI RESOURCES ARE PROVIDED "AS IS" AND WITH ALL FAULTS. TI DISCLAIMS ALL OTHER WARRANTIES OR REPRESENTATIONS, EXPRESS OR IMPLIED, REGARDING TI RESOURCES OR USE THEREOF, INCLUDING BUT NOT LIMITED TO ACCURACY OR COMPLETENESS, TITLE, ANY EPIDEMIC FAILURE WARRANTY AND ANY IMPLIED WARRANTIES OF MERCHANTABILITY, FITNESS FOR A PARTICULAR PURPOSE, AND NON-INFRINGEMENT OF ANY THIRD PARTY INTELLECTUAL PROPERTY RIGHTS.

TI SHALL NOT BE LIABLE FOR AND SHALL NOT DEFEND OR INDEMNIFY YOU AGAINST ANY CLAIM, INCLUDING BUT NOT LIMITED TO ANY INFRINGEMENT CLAIM THAT RELATES TO OR IS BASED ON ANY COMBINATION OF PRODUCTS EVEN IF DESCRIBED IN TI RESOURCES OR OTHERWISE. IN NO EVENT SHALL TI BE LIABLE FOR ANY ACTUAL, DIRECT, SPECIAL, COLLATERAL, INDIRECT, PUNITIVE, INCIDENTAL, CONSEQUENTIAL OR EXEMPLARY DAMAGES IN CONNECTION WITH OR ARISING OUT OF TI RESOURCES OR USE THEREOF, AND REGARDLESS OF WHETHER TI HAS BEEN ADVISED OF THE POSSIBILITY OF SUCH DAMAGES.

You agree to fully indemnify TI and its representatives against any damages, costs, losses, and/or liabilities arising out of your non-compliance with the terms and provisions of this Notice.

This Notice applies to TI Resources. Additional terms apply to the use and purchase of certain types of materials, TI products and services. These include; without limitation, TI's standard terms for semiconductor products (<http://www.ti.com/sc/docs/stdterms.htm>), [evaluation modules](#), and [samples](http://www.ti.com/sc/docs/sampterm.htm) (<http://www.ti.com/sc/docs/sampterm.htm>).

Mailing Address: Texas Instruments, Post Office Box 655303, Dallas, Texas 75265
Copyright © 2018, Texas Instruments Incorporated