

AN-777 LM2577 Three Output, Isolated Flyback Regulator

ABSTRACT

Many voltage regulator applications require multiple outputs, such as a computer's power supply or a regulator used to meet the voltage requirements inside an automobile. Some of these applications require isolation between the regulator's input and output for protection and separate ground specifications. Using these criteria, a LM2577 simple switcher flyback regulator has been designed with multiple (3) outputs and input-to-output isolation. The three outputs are: 1) 5V @ 150 mA, 2) 7.5V @ 100 mA, and 3) -7.5V @ 70 mA. The table below gives the electrical specifications.

Contents

1	Overview	2
---	----------------	---

List of Figures

1	LM2577 Three Output, Isolated Flyback Regulator	2
2	Load Transient Response	3
3	Output Ripple Voltage	3

List of Tables

1	Electrical Test Test Data $V_i = 16V-36V$	3
---	---	---

1 Overview

The LM2577 flyback regulator uses a 4N27 optocoupler to provide a galvanic isolation. The base resistor of the optocoupler is chosen so that it is large enough (47 k Ω) to supply a minimum base current—which in turn, demands a lower drive current to the optocoupler's diode—but not so large as to produce a pole in the regulator's frequency response. If the pole's frequency is below the regulator loop's crossover frequency, stability problems will occur. Thus, a zero must be developed, requiring extra circuitry, to compensate for the extra pole in the loop.

An LM385 Adjustable Voltage Reference, along with resistors R_{O1} and R_{O2} , set the main output voltage to $5V \pm 4\%$ by the equation: $V_O = 1.24V (1 + R_{O2}/R_{O1})$. The LM385 supplies a drive current to the optocoupler (about 10 mA) proportional to the output voltage. Due to the high gain of the LM385, the LM2577's error amplifier is bypassed, and the feedback signal is fed directly to the compensation pin. Employing the error amplifier's gain block in the loop would add with the LM385 gain (the optocoupler's gain is around unity) to produce a very large overall loop gain. Such a large loop gain makes the loop too difficult to stabilize—thus the bypassed error amplifier. With the regulator input voltage of 26V and full load on all outputs, the frequency response has a crossover frequency at 1 kHz and phase margin of 90°.

The flyback regulator's mode of operation is continuous, so a large primary inductance ($L_p = 300 \mu H$) is needed for the transformer. Using a Ferroxcube 812E250-3C8 E core, the primary winding requires about 50 turns. With the turns ratios as they are shown on the schematic and the small core size, the transformer windings must be wound tightly so that they fit the core windows. Interlayering the primary winding between the secondary windings improves the transformers coupling.

The zener diode circuit (V_Z , R_Z , R_1) is added to provide the optocoupler transistor with about 20 μA of bias current, on top of the current sourced from the compensation pin (about 7 μA). The isolation resistor, between the compensation pin and the zener diode, needs to be as large as 100 k Ω , or at start-up, the compensation pin will see a voltage that is too large, turning the power switch fully on—thus forcing the LM2577 into current limit. Also, to ensure good line regulation, the dynamic impedance of the zener diode must be very good.

Test data for this regulator follows the schematic. Because feedback is taken from Output 1, its load and line regulation are better than that of the other two outputs, which rely on feedback through the transformer coupling. The output ripple voltage of all three outputs is largely dependent on the filter capacitors used, and could be reduced by the use of additional high-quality filter capacitors or an additional L-C filter section.

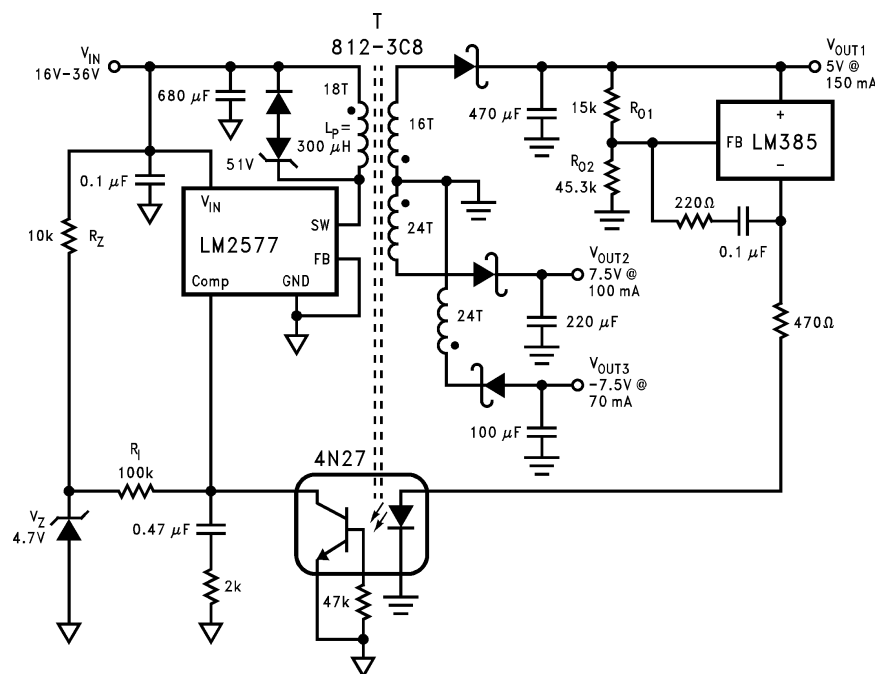
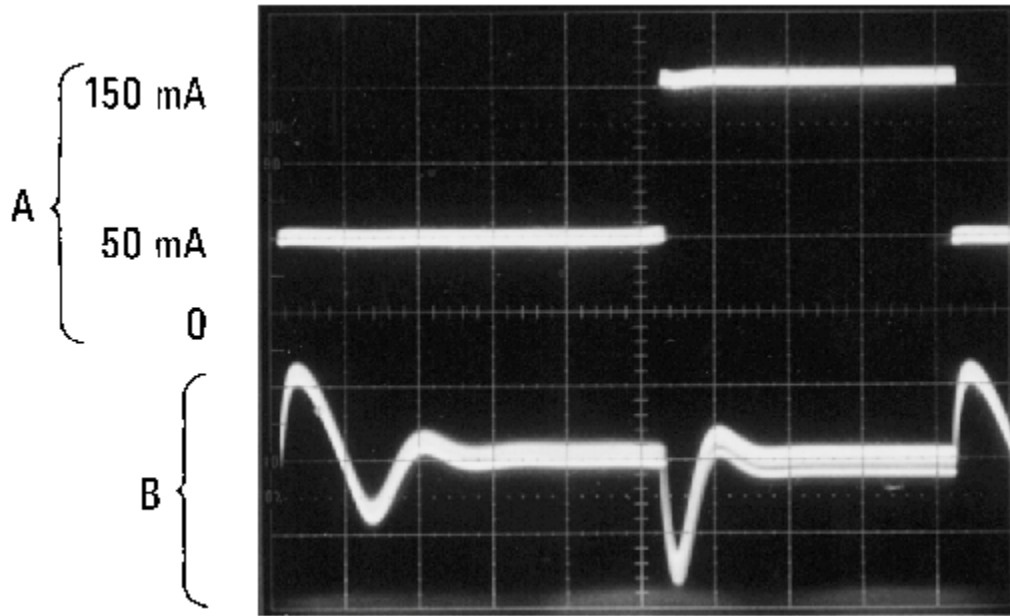


Figure 1. LM2577 Three Output, Isolated Flyback Regulator

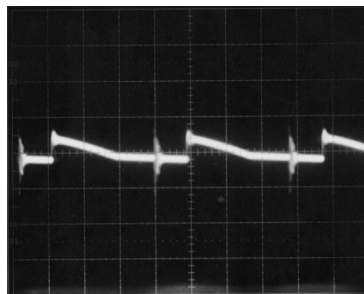
Table 1. Electrical Test Test Data $V_i = 16V-36V$

Output Voltages	Line Regulation ($I_o = \text{Full Load}$)	Load Regulation ($V_i = 26V$)	Output Ripple Voltage ($T_A = 25^\circ C$)
$V_{O1} = 5V$	0.2%	0.04%	50 mV
		30 mA–150 mA	
$V_{O2} = 7.5V$	0.3%	3%	50 mV
		20 mA–100 mA	
$V_{O3} = 7.5V$	0.3%	2%	50 mV
		12 mA–70 mA	



A. Load Current, 50 mA/div
 B. Output Voltage Change 50 mV/div (AC-Coupled)
 Horizontal: 5 ms/div

Figure 2. Load Transient Response



20 mV/div (AC-Coupled)
 Horizontal: 5 ms/div

Figure 3. Output Ripple Voltage

IMPORTANT NOTICE

Texas Instruments Incorporated and its subsidiaries (TI) reserve the right to make corrections, enhancements, improvements and other changes to its semiconductor products and services per JESD46, latest issue, and to discontinue any product or service per JESD48, latest issue. Buyers should obtain the latest relevant information before placing orders and should verify that such information is current and complete. All semiconductor products (also referred to herein as "components") are sold subject to TI's terms and conditions of sale supplied at the time of order acknowledgment.

TI warrants performance of its components to the specifications applicable at the time of sale, in accordance with the warranty in TI's terms and conditions of sale of semiconductor products. Testing and other quality control techniques are used to the extent TI deems necessary to support this warranty. Except where mandated by applicable law, testing of all parameters of each component is not necessarily performed.

TI assumes no liability for applications assistance or the design of Buyers' products. Buyers are responsible for their products and applications using TI components. To minimize the risks associated with Buyers' products and applications, Buyers should provide adequate design and operating safeguards.

TI does not warrant or represent that any license, either express or implied, is granted under any patent right, copyright, mask work right, or other intellectual property right relating to any combination, machine, or process in which TI components or services are used. Information published by TI regarding third-party products or services does not constitute a license to use such products or services or a warranty or endorsement thereof. Use of such information may require a license from a third party under the patents or other intellectual property of the third party, or a license from TI under the patents or other intellectual property of TI.

Reproduction of significant portions of TI information in TI data books or data sheets is permissible only if reproduction is without alteration and is accompanied by all associated warranties, conditions, limitations, and notices. TI is not responsible or liable for such altered documentation. Information of third parties may be subject to additional restrictions.

Resale of TI components or services with statements different from or beyond the parameters stated by TI for that component or service voids all express and any implied warranties for the associated TI component or service and is an unfair and deceptive business practice. TI is not responsible or liable for any such statements.

Buyer acknowledges and agrees that it is solely responsible for compliance with all legal, regulatory and safety-related requirements concerning its products, and any use of TI components in its applications, notwithstanding any applications-related information or support that may be provided by TI. Buyer represents and agrees that it has all the necessary expertise to create and implement safeguards which anticipate dangerous consequences of failures, monitor failures and their consequences, lessen the likelihood of failures that might cause harm and take appropriate remedial actions. Buyer will fully indemnify TI and its representatives against any damages arising out of the use of any TI components in safety-critical applications.

In some cases, TI components may be promoted specifically to facilitate safety-related applications. With such components, TI's goal is to help enable customers to design and create their own end-product solutions that meet applicable functional safety standards and requirements. Nonetheless, such components are subject to these terms.

No TI components are authorized for use in FDA Class III (or similar life-critical medical equipment) unless authorized officers of the parties have executed a special agreement specifically governing such use.

Only those TI components which TI has specifically designated as military grade or "enhanced plastic" are designed and intended for use in military/aerospace applications or environments. Buyer acknowledges and agrees that any military or aerospace use of TI components which have **not** been so designated is solely at the Buyer's risk, and that Buyer is solely responsible for compliance with all legal and regulatory requirements in connection with such use.

TI has specifically designated certain components as meeting ISO/TS16949 requirements, mainly for automotive use. In any case of use of non-designated products, TI will not be responsible for any failure to meet ISO/TS16949.

Products

Audio	www.ti.com/audio
Amplifiers	amplifier.ti.com
Data Converters	dataconverter.ti.com
DLP® Products	www.dlp.com
DSP	dsp.ti.com
Clocks and Timers	www.ti.com/clocks
Interface	interface.ti.com
Logic	logic.ti.com
Power Mgmt	power.ti.com
Microcontrollers	microcontroller.ti.com
RFID	www.ti-rfid.com
OMAP Applications Processors	www.ti.com/omap
Wireless Connectivity	www.ti.com/wirelessconnectivity

Applications

Automotive and Transportation	www.ti.com/automotive
Communications and Telecom	www.ti.com/communications
Computers and Peripherals	www.ti.com/computers
Consumer Electronics	www.ti.com/consumer-apps
Energy and Lighting	www.ti.com/energy
Industrial	www.ti.com/industrial
Medical	www.ti.com/medical
Security	www.ti.com/security
Space, Avionics and Defense	www.ti.com/space-avionics-defense
Video and Imaging	www.ti.com/video

TI E2E Community

e2e.ti.com