

TPS544Bxx/TPS544Cxx Powering TCI6630K2L in Smart Reflex Class 0 TC Mode

ABSTRACT

This application report describes an application circuit example of the TPS544B/Cxx family of power management IC (PMIC) powering the Smart-Reflex digital core supply of the TCI6630K2L SoC. Smart-Reflex Class 0 Temperature Compensation (Class 0 TC) mode of operation of the TCI6630K2L device is emphasized. Assumption is that temperature compensation mode is enabled using the function provided in the [Multi-Core Software Development Kit \(MCSDK\)](#) software release - 3.1.0 or higher version.

In temperature compensated mode of operation, the TCI6630K2L SoC can achieve the best possible power consumption across all operating temperatures. This example power supply solution is also extendable to the 66AK2Lx family of SoC. as well.

Contents

1	Scope.....	1
2	TCI6630K2L and TPS544BXX/TPS544CXX Connectivity for Smart-Reflex Class 0 Only Mode (non TC mode).....	2
3	TCI6630K2L and TPS544BXX/TPS544CXX Connectivity for Smart-Reflex Class 0 TC Mode	4

1 Scope

This document is applicable to the following K2 devices: TCI6630K2L and 66AK2Lx.

1.1 Acronyms Used in This Document

Table 1. Acronyms

Acronym	Definition
TCI6630K2L	Keystone II architecture Device from Texas Instruments: http://www.ti.com/product/TCI6630K2L
66AK20Lx	Family of derivative ARM/DSP SoC based on the TCI6630K2L design http://www.ti.com/product/66ak2i06
PMIC	Power Management IC
SRSS	Smart Reflex Sub System on device
TC	Temperature Compensation
VID	SmartReflex VID Value Mapping KS2 Hardware Design Guide
R	Read Only Register
RW	Read Write Register
TPS544Cxx TPS544Bxx	PMBus compatible voltage regulator and digital controller PMIC from Texas Instruments.
MCSDK	Multi-Core Software Development Kit
CVDD	Smart-Reflex adjustable voltage supply that powers core digital logic on Keystone II devices

All trademarks are the property of their respective owners.

2 TCI6630K2L and TPS544BXX/TPS544CXX Connectivity for Smart-Reflex Class 0 Only Mode (non TC mode)

The core voltage supply generation for the TCI6630K2L device can be done with the TPS544Bxx or TPS544Cxx family of devices. These PMIC devices come in pin compatible packages. In a scenario where TCI6630K2L is intended to be used in Smart-Reflex Class 0 only mode (non TC mode), typical connectivity between these devices is depicted in the schematic for the TCI6630K2L EVM located at [K2LEVM](#).

In the case of the Smart-Reflex Class 0 only mode (non TC mode), the TCI6630K2L device sends out a device-specific voltage value for its CVDD rail. After the device completes the power on reset sequence (after RESETSTATZ has gone high), the VID value is sent over the VCNTL pins. For details, see the *Hardware Design Guide for KeyStone II Devices* ([SPRABV0](#)). This is the device's voltage ID or VID value. The LM10011 device interprets this VID request sent over the VCNTL bus and generates the appropriate feedback current to inject into the TPS544BXX/TPS544CXX feedback loop. The lower the VID value the more current is injected such that the output voltage is negatively offset from its initial starting voltage value. Based on this feedback voltage, TPS544BXX/TPS544CXX generates stable voltage for the CVDD rail of TCI6630K2L. For details of implementation, see the *TCI6630K2L, TPS544BXX/TPS544CXX, LM10011 User's Guides* at <http://www.ti.com/ww/en/analog/swift/products.html>.

Top Avatar, 12v to CVDD, 12v to 1.5v, 3.3v aux -> 1.2v, 3.3v aux -> 1.8v

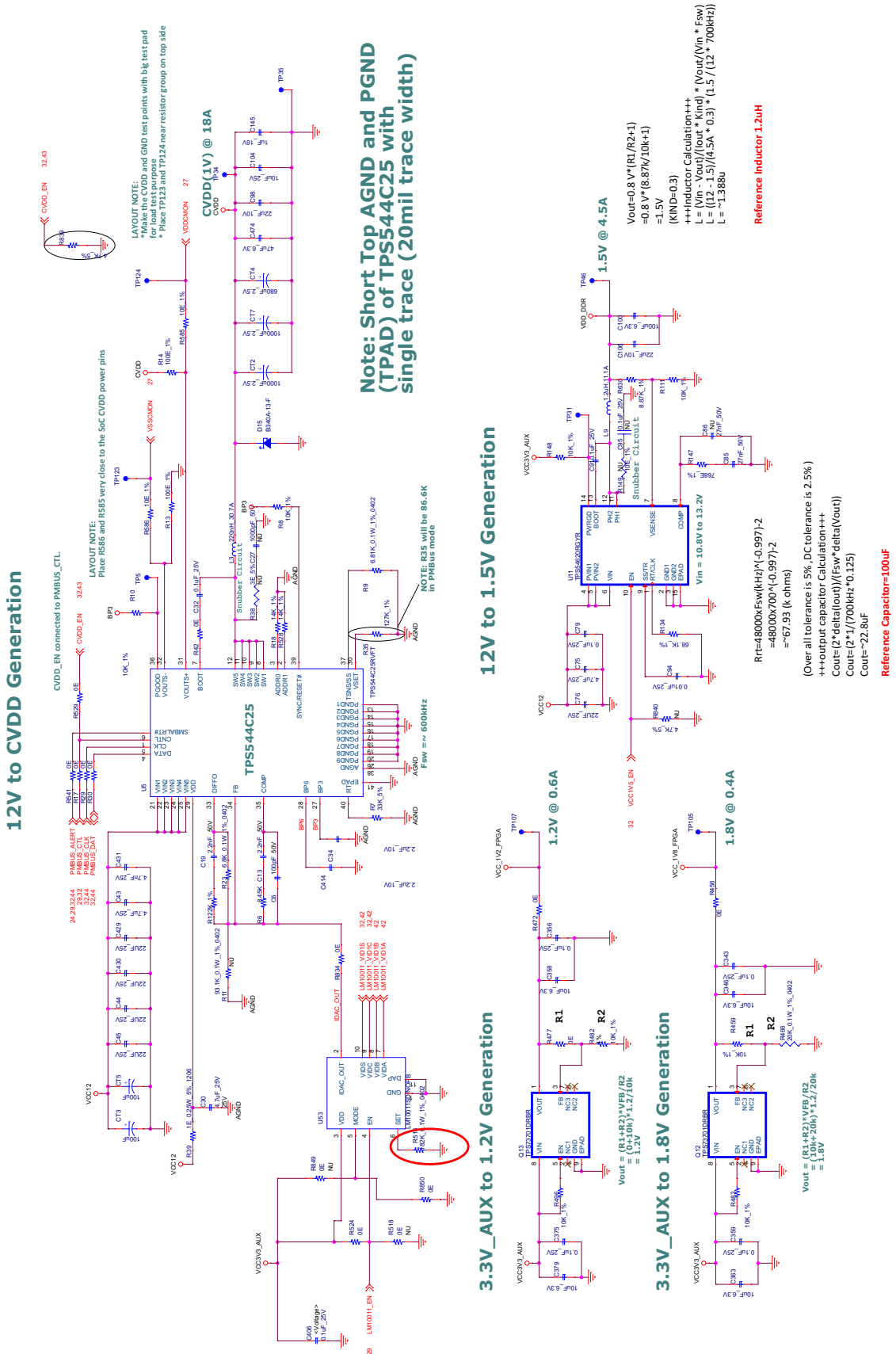


Figure 1. Schematic Excerpt Showing Implementation of TPS544C20 PMIC on the TCI6630K2L EVM

3 TCI6630K2L and TPS544BXX/TPS544CXX Connectivity for Smart-Reflex Class 0 TC Mode

To support Smart-Reflex Class 0 with Temperature Compensation, an I2C-based control solution of the TPS544B/C PMBUS is put in place of the LM10111/VCNTL solution described in [Section 2](#).

3.1 Summary of Changes With Respect to Class 0 Non-TC Mode

In Smart Reflex Class 0 TC mode, the TCI6630K2L device sends out the temperature-specific VID of the CVDD rail. The TC mode software (running as a Linux service) is setup to use the I2C0 port of the K2L to communicate the VID value to the attached TPS544B/C device. Whenever the internal temperature of the TCI6630K2L exceeds pre-programmed temperature thresholds, the temperature monitoring software will trigger and send out an updated VID value over the I2C bus. An example schematic showing the necessary connectivity for the TC mode of operation is shown in [Figure 2](#).

3.1.1 LM10011 Removed

When Smart Reflex Class 0 TC mode is enabled in TCI6630K2L, the CVDD voltage requests are conveyed straight to TPS544BXX/TPS544CXX over the I2C bus. Instead of using the feedback voltage from LM10011 to regulate the CVDD rails voltage, the TPS544BXX/TPS544CXX can regulate it based on the I2C requests. As such, the LM10011 is not utilized. It is worth noting that use of Smart Reflex Class 0 TC mode saves on component cost.

3.1.2 Default/Initial CVDD Voltage

Enabling of the Smart Reflex Class 0 TC mode in TCI6630K2L is done via software. Prior to enabling this mode on TCI6630K2L, the TPS544BXX/TPS544CXX sets a default voltage on the CVDD rail based on the VSET pin resistor value. In [Figure 2](#), R_Vset (R25) is configured to provide 1 V on the CVDD rail of TCI6630K2L as a default CVDD value. TPS544BXX/TPS544CXX will maintain this CVDD rail value until a new output voltage is requested on the I2C bus.

3.1.3 Resistor Feedback Network

Use of the VSET pin to set the default voltage requires the VOUT_SCALE_LOOP term of TPS544BXX/TPS544CXX to be 1. This is achieved with a resistor network that provides feedback voltage to the FB pin of TPS544BXX/TPS544CXX. As shown in [Figure 2](#), there is no Rbottom resistor between the FB pin and ground in this mode of operation.

For details on the resistor and VOUT_SCALE_LOOP, see the data sheets of the TPS544Cxx/ TPS544Bxx devices at [SWIFT Point-of-Load DC/DC Converters](#).

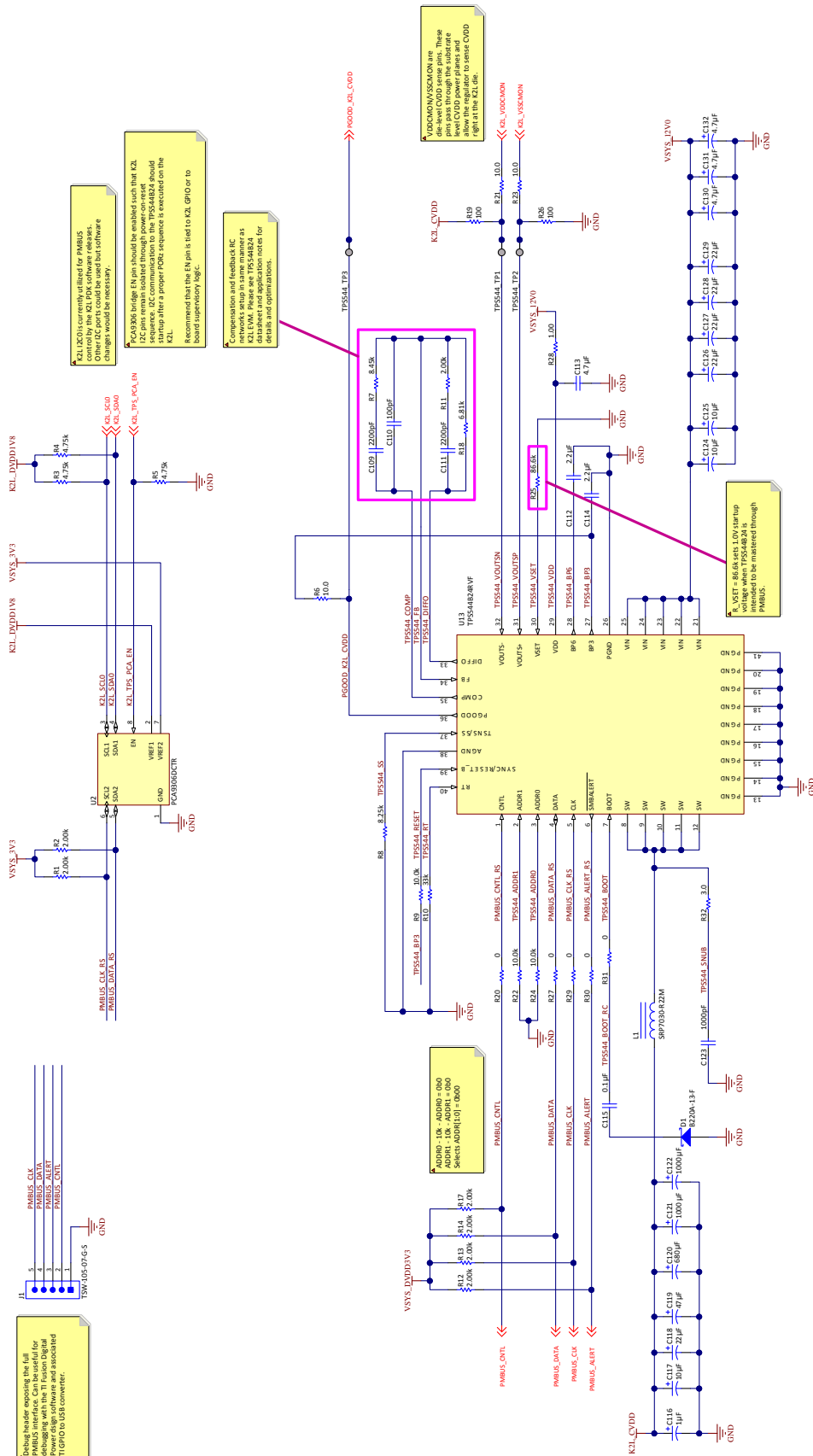


Figure 2. Schematic

IMPORTANT NOTICE

Texas Instruments Incorporated and its subsidiaries (TI) reserve the right to make corrections, enhancements, improvements and other changes to its semiconductor products and services per JESD46, latest issue, and to discontinue any product or service per JESD48, latest issue. Buyers should obtain the latest relevant information before placing orders and should verify that such information is current and complete. All semiconductor products (also referred to herein as "components") are sold subject to TI's terms and conditions of sale supplied at the time of order acknowledgment.

TI warrants performance of its components to the specifications applicable at the time of sale, in accordance with the warranty in TI's terms and conditions of sale of semiconductor products. Testing and other quality control techniques are used to the extent TI deems necessary to support this warranty. Except where mandated by applicable law, testing of all parameters of each component is not necessarily performed.

TI assumes no liability for applications assistance or the design of Buyers' products. Buyers are responsible for their products and applications using TI components. To minimize the risks associated with Buyers' products and applications, Buyers should provide adequate design and operating safeguards.

TI does not warrant or represent that any license, either express or implied, is granted under any patent right, copyright, mask work right, or other intellectual property right relating to any combination, machine, or process in which TI components or services are used. Information published by TI regarding third-party products or services does not constitute a license to use such products or services or a warranty or endorsement thereof. Use of such information may require a license from a third party under the patents or other intellectual property of the third party, or a license from TI under the patents or other intellectual property of TI.

Reproduction of significant portions of TI information in TI data books or data sheets is permissible only if reproduction is without alteration and is accompanied by all associated warranties, conditions, limitations, and notices. TI is not responsible or liable for such altered documentation. Information of third parties may be subject to additional restrictions.

Resale of TI components or services with statements different from or beyond the parameters stated by TI for that component or service voids all express and any implied warranties for the associated TI component or service and is an unfair and deceptive business practice. TI is not responsible or liable for any such statements.

Buyer acknowledges and agrees that it is solely responsible for compliance with all legal, regulatory and safety-related requirements concerning its products, and any use of TI components in its applications, notwithstanding any applications-related information or support that may be provided by TI. Buyer represents and agrees that it has all the necessary expertise to create and implement safeguards which anticipate dangerous consequences of failures, monitor failures and their consequences, lessen the likelihood of failures that might cause harm and take appropriate remedial actions. Buyer will fully indemnify TI and its representatives against any damages arising out of the use of any TI components in safety-critical applications.

In some cases, TI components may be promoted specifically to facilitate safety-related applications. With such components, TI's goal is to help enable customers to design and create their own end-product solutions that meet applicable functional safety standards and requirements. Nonetheless, such components are subject to these terms.

No TI components are authorized for use in FDA Class III (or similar life-critical medical equipment) unless authorized officers of the parties have executed a special agreement specifically governing such use.

Only those TI components which TI has specifically designated as military grade or "enhanced plastic" are designed and intended for use in military/aerospace applications or environments. Buyer acknowledges and agrees that any military or aerospace use of TI components which have **not** been so designated is solely at the Buyer's risk, and that Buyer is solely responsible for compliance with all legal and regulatory requirements in connection with such use.

TI has specifically designated certain components as meeting ISO/TS16949 requirements, mainly for automotive use. In any case of use of non-designated products, TI will not be responsible for any failure to meet ISO/TS16949.

Products

Audio	www.ti.com/audio
Amplifiers	amplifier.ti.com
Data Converters	dataconverter.ti.com
DLP® Products	www.dlp.com
DSP	dsp.ti.com
Clocks and Timers	www.ti.com/clocks
Interface	interface.ti.com
Logic	logic.ti.com
Power Mgmt	power.ti.com
Microcontrollers	microcontroller.ti.com
RFID	www.ti-rfid.com
OMAP Applications Processors	www.ti.com/omap
Wireless Connectivity	www.ti.com/wirelessconnectivity

Applications

Automotive and Transportation	www.ti.com/automotive
Communications and Telecom	www.ti.com/communications
Computers and Peripherals	www.ti.com/computers
Consumer Electronics	www.ti.com/consumer-apps
Energy and Lighting	www.ti.com/energy
Industrial	www.ti.com/industrial
Medical	www.ti.com/medical
Security	www.ti.com/security
Space, Avionics and Defense	www.ti.com/space-avionics-defense
Video and Imaging	www.ti.com/video

TI E2E Community

e2e.ti.com