

TAS3308: Audio System-on-Chip Digital TV Audio Solution

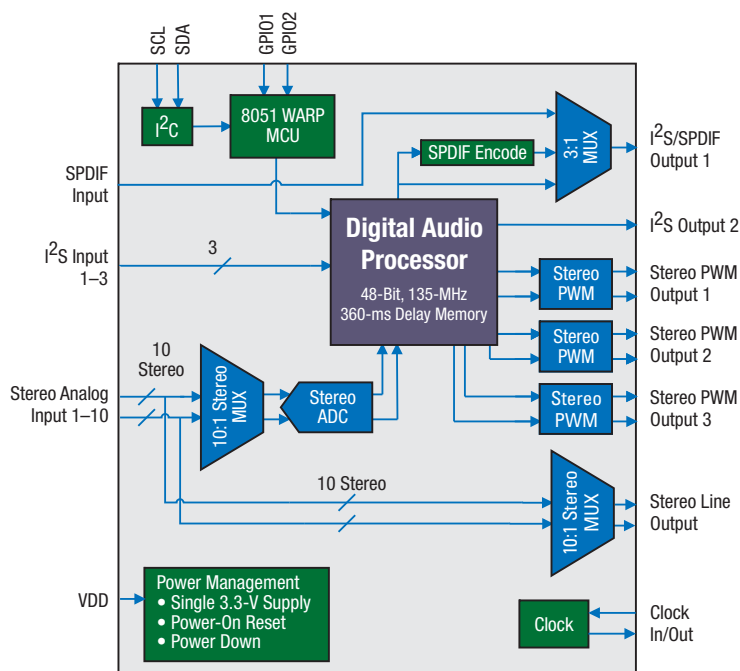
The TAS3308 is a dual-core device consisting of a powerful digital audio processor (DAP) and microcontroller (MCU) integrated with high-performance audio analog-to-digital converters (ADCs) and pulse-width modulators (PWM). The TAS3308 is a highly integrated solution offering analog input, digital processing and PWM output functionality. Operating at 135 MHz, the DAP core is capable of five simultaneous operations per cycle. The MCU is an industry-standard 8051 core that optimizes the TAS3308's system performance by handling the I²C interface and controlling the more advanced audio algorithms.

The DAP's 48-bit data path enables superior high-resolution audio processing

and its unique single-cycle 76-bit (48 × 28) multiply-accumulate operation accelerates the processing of most audio algorithms. The TAS3308 incorporates all the functionality required to perform demanding audio applications. Ten single-ended stereo input channels MUXed to a stereo ADC provide the capability to process audio from up to ten independent sources. Also included are six differential PWM output channels, making the TAS3308 ideal for up to 5.1 speaker solutions. Three I²S inputs, two I²S outputs (one of which can be selected as SPDIF) as well as SPDIF pass-through capability ensures digital compatibility.

Key Features:

- Compatible with PurePath Studio™ graphical programming software
- 135-MHz, 48-bit processor
 - 76-bit accumulator
 - 3K Words program RAM
 - 1K Words coefficient RAM
 - 1K Words data RAM
- 10-channel stereo input MUX
- One stereo single-ended ADC
 - 100 dB DNR (typical)
- Six differential PWM outputs
 - 105 dB DNR (typical)
- Three I²S input channels
- Two I²S output channels
 - One selectable as SPDIF
- 360 ms of delay memory
- Ideal for digital TV audio systems
- Compatible with TI's PurePath Digital family of PWM input audio amplifiers



▲ TAS3308 digital audio processor block diagram.

Enhanced audio faster

High-quality audio systems with lower bill-of-material costs can be implemented with the TAS3308 because of its integrated analog data converters and full suite of audio-enhancing features such as equalization, tone and volume control, loudness and dynamic range compression eliminates the need for discrete devices to support these capabilities.

Developers have full control of audio processing and can implement a range of algorithms such as matrix decoding, sound enhancement and virtualized surround sound. Because the device is supported by leading

third-party IP developers such as Dolby, SRS QSound and others, TAS3308 designs will always have timely access to the latest innovations in audio technology.

The powerful processing supported by the TAS3308's dual-core architecture gives developers the ability to easily add post-processing and proprietary audio algorithms for differentiated features.

Software and development tools

Fully supported by PurePath Studio™, an

efficient drag-and-drop graphical development environment, the TAS3308 will accelerate a new product's time to market and ease the development of differentiated features.

PurePath Studio includes a code editor with contextual help facilities, a simulator for debugging code and other tools. Pre-optimized software components as well as third-party algorithms can be quickly integrated by simply dragging and dropping the software module into PurePath Studio. In addition, the TAS3308

is supported by the traditional assembly-level Integrated Development Environment (IDE). The device's MCU core is fully supported by C compilers, macro assemblers, debuggers and real-time kernels.

For more information

For more information on the TAS3308 contact your local TI field sales office or go to www.ti.com/tas3308.

TI Worldwide Technical Support

Internet

TI Semiconductor Product Information Center Home Page

support.ti.com

TI Semiconductor KnowledgeBase Home Page

support.ti.com/sc/knowledgebase

Product Information Centers

Americas

Phone +1(972) 644-5580
 Fax +1(972) 927-6377
 Internet/Email support.ti.com/sc/pic/americas.htm

Europe, Middle East, and Africa

Phone
 European Free Call 00800-ASK-TEXAS
 (00800 275 83927)
 International +49 (0) 8161 80 2121
 Russian Support +7 (4) 95 98 10 701

Note: The European Free Call (Toll Free) number is not active in all countries. If you have technical difficulty calling the free call number, please use the international number above.

Fax +49 (0) 8161 80 2045
 Internet support.ti.com/sc/pic/euro.htm

Japan

Fax International +81-3-3344-5317
 Domestic 0120-81-0036
 Internet/Email International support.ti.com/sc/pic/japan.htm
 Domestic www.tij.co.jp/pic

Asia

Phone
 International +91-80-41381665
 Domestic [Toll-Free Number](http://support.ti.com/sc/pic/asia.htm)
 Australia 1-800-999-084
 China 800-820-8682
 Hong Kong 800-96-5941
 India 1-800-425-7888
 Indonesia 001-803-8861-1006
 Korea 080-551-2804
 Malaysia 1-800-80-3973
 New Zealand 0800-446-934
 Philippines 1-800-765-7404
 Singapore 800-886-1028
 Taiwan 0800-006800
 Thailand 001-800-886-0010
 Fax +886-2-2378-6808
 Email tiasia@ti.com
ti-china@ti.com
 Internet support.ti.com/sc/pic/asia.htm

Important Notice: The products and services of Texas Instruments Incorporated and its subsidiaries described herein are sold subject to TI's standard terms and conditions of sale. Customers are advised to obtain the most current and complete information about TI products and services before placing orders. TI assumes no liability for applications assistance, customer's applications or product designs, software performance, or infringement of patents. The publication of information regarding any other company's products or services does not constitute TI's approval, warranty or endorsement thereof.

The platform bar and PurePath are trademarks of Texas Instruments. All other trademarks are the property of their respective owners.

© 2008 Texas Instruments Incorporated
 Printed in U.S.A. by (Printer, City, State)

♻️ Printed on recycled paper



B010208

SPRT439B