

TMS320DM335

Digital Media System-on-Chip (DMSoC)

Pulse-Width Modulator (PWM)

User's Guide



Literature Number: SPRUFY6A
July 2008—Revised August 2010

Preface	5
1 Introduction	8
1.1 Purpose of the Peripheral	8
1.2 Features	8
1.3 Industry Standard(s) Compliance Statement	8
2 Peripheral Architecture	9
2.1 Clock Control	9
2.2 Signal Descriptions	9
2.3 Functional Operation	10
2.4 Reset Considerations	12
2.5 Initialization	12
2.6 Interrupt Support	12
2.7 EDMA Event Support	13
2.8 Power Management	13
2.9 Emulation Considerations	13
3 Registers	14
3.1 Pulse Width Modulator (PWM) Peripheral Identification Register (PID)	14
3.2 Pulse Width Modulator (PWM) Peripheral Control Register (PCR)	15
3.3 Pulse Width Modulator (PWM) Configuration Register (CFG)	16
3.4 Pulse Width Modulator (PWM) Start Register (START)	17
3.5 Pulse Width Modulator (PWM) Repeat Count Register (RPT)	18
3.6 Pulse Width Modulator (PWM) Period Register (PER)	18
3.7 Pulse Width Modulator (PWM) First-Phase Duration Register (PH1D)	19
4 Revision History	20

List of Figures

1	PWM Waveform Polarity Control (PWM_RPT = 2, for 3 periods)	9
2	PWM One-Shot Mode Operation (P1OUT = 1, INACTOUT = 0, EVTRIG = 0, PWM_RPT = 2)	10
3	PWM Event-Triggered One-Shot Mode Operation (P1OUT = 1, INACTOUT = 0, EVTRIG = 1, PWM_RPT = 1)	11
4	PWM Continuous Mode Operation (P1OUT = 1, INACTOUT = 0, EVTRIG = 1, PWM_RPT = 0)	12
5	Pulse Width Modulator (PWM) Peripheral Identification Register (PID)	14
6	Pulse Width Modulator (PWM) Peripheral Control Register (PCR)	15
7	Pulse Width Modulator (PWM) Configuration Register (CFG)	16
8	Pulse Width Modulator (PWM) Start Register (START)	17
9	Pulse Width Modulator (PWM) Repeat Count Register (RPT)	18
10	Pulse Width Modulator (PWM) Period Register (PER)	18
11	Pulse Width Modulator (PWM) First-Phase Duration Register (PH1D)	19

List of Tables

1	Pulse Width Modulator (PWM) Registers	14
2	Pulse Width Modulator (PWM) Peripheral Identification Register (PID) Field Descriptions	14
3	Pulse Width Modulator (PWM) Peripheral Control Register (PCR) Field Descriptions	15
4	Pulse Width Modulator (PWM) Configuration Register (CFG) Field Descriptions	16
5	Pulse Width Modulator (PWM) Start Register (START) Field Descriptions	17
6	Pulse Width Modulator (PWM) Repeat Count Register (RPT) Field Descriptions	18
7	Pulse Width Modulator (PWM) Period Register (PER) Field Descriptions	18
8	Pulse Width Modulator (PWM) First-Phase Duration Register (PH1D) Field Descriptions	19
9	Revision History	20

Read This First

This document describes the Pulse-Width Modulator (PWM) on the TMS320DM335 Digital Media System-on-Chip (DMSoC).

Notational Conventions

This document uses the following conventions.

- Hexadecimal numbers are shown with the suffix h. For example, the following number is 40 hexadecimal (decimal 64): 40h.
- Registers in this document are shown in figures and described in tables.
 - Each register figure shows a rectangle divided into fields that represent the fields of the register. Each field is labeled with its bit name, its beginning and ending bit numbers above, and its read/write properties below. A legend explains the notation used for the properties.
 - Reserved bits in a register figure designate a bit that is used for future device expansion.

Related Documentation from Texas Instruments

The following documents describe the TMS320DM335 Digital Media System-on-Chip (DMSoC). Copies of these documents are available on the internet at www.ti.com.

SPRUFX7 — TMS320DM335 Digital Media System-on-Chip (DMSoC) ARM Subsystem Reference

Guide This document describes the ARM Subsystem in the TMS320DM335 Digital Media System-on-Chip (DMSoC). The ARM subsystem is designed to give the ARM926EJ-S (ARM9) master control of the device. In general, the ARM is responsible for configuration and control of the device; including the components of the ARM Subsystem, the peripherals, and the external memories.

SPRUFX8 — TMS320DM335 Digital Media System-on-Chip (DMSoC) Video Processing Front End (VPFE) Reference Guide This document describes the Video Processing Front End (VPFE) in the TMS320DM335 Digital Media System-on-Chip (DMSoC).

SPRUFX9 — TMS320DM335 Digital Media System-on-Chip (DMSoC) Video Processing Back End (VPBE) Reference Guide This document describes the Video Processing Back End (VPBE) in the TMS320DM335 Digital Media System-on-Chip (DMSoC).

SPRUFY0 — TMS320DM335 Digital Media System-on-Chip (DMSoC) 64-bit Timer Reference Guide This document describes the operation of the software-programmable 64-bit timers in the TMS320DM335 Digital Media System-on-Chip (DMSoC). Timer 0, Timer 1, and Timer 3 are used as general-purpose (GP) timers and can be programmed in 64-bit mode, dual 32-bit unchained mode, or dual 32-bit chained mode; Timer 2 is used only as a watchdog timer. The GP timer modes can be used to generate periodic interrupts or enhanced direct memory access (EDMA) synchronization events and Real Time Output (RTO) events (Timer 3 only). The watchdog timer mode is used to provide a recovery mechanism for the device in the event of a fault condition, such as a non-exiting code loop.

SPRUFY1 — TMS320DM335 Digital Media System-on-Chip (DMSoC) Serial Peripheral Interface (SPI) Reference Guide This document describes the serial peripheral interface (SPI) in the TMS320DM335 Digital Media System-on-Chip (DMSoC). The SPI is a high-speed synchronous serial input/output port that allows a serial bit stream of programmed length (1 to 16 bits) to be shifted into and out of the device at a programmed bit-transfer rate. The SPI is normally used for communication between the DMSoC and external peripherals. Typical applications include an interface to external I/O or peripheral expansion via devices such as shift registers, display drivers, SPI EPROMs and analog-to-digital converters.

- [SPRUFY2](#) — TMS320DM335 Digital Media System-on-Chip (DMSoC) Universal Asynchronous Receiver/Transmitter (UART) Reference Guide** This document describes the universal asynchronous receiver/transmitter (UART) peripheral in the TMS320DM335 Digital Media System-on-Chip (DMSoC). The UART peripheral performs serial-to-parallel conversion on data received from a peripheral device, and parallel-to-serial conversion on data received from the CPU.
- [SPRUFY3](#) — TMS320DM335 Digital Media System-on-Chip (DMSoC) Inter-Integrated Circuit (I2C) Peripheral Reference Guide** This document describes the inter-integrated circuit (I2C) peripheral in the TMS320DM335 Digital Media System-on-Chip (DMSoC). The I2C peripheral provides an interface between the DMSoC and other devices compliant with the I2C-bus specification and connected by way of an I2C-bus. External components attached to this 2-wire serial bus can transmit and receive up to 8-bit wide data to and from the DMSoC through the I2C peripheral. This document assumes the reader is familiar with the I2C-bus specification.
- [SPRUFY5](#) — TMS320DM335 Digital Media System-on-Chip (DMSoC) Multimedia Card (MMC)/Secure Digital (SD) Card Controller Reference Guide** This document describes the multimedia card (MMC)/secure digital (SD) card controller in the TMS320DM335 Digital Media System-on-Chip (DMSoC). The MMC/SD card is used in a number of applications to provide removable data storage. The MMC/SD controller provides an interface to external MMC and SD cards. The communication between the MMC/SD controller and MMC/SD card(s) is performed by the MMC/SD protocol.
- [SPRUFY6](#) — TMS320DM335 Digital Media System-on-Chip (DMSoC) Pulse-Width Modulator (PWM) Reference Guide** This document describes the pulse-width modulator (PWM) peripheral in the TMS320DM335 Digital Media System-on-Chip (DMSoC).
- [SPRUFY7](#) — TMS320DM335 Digital Media System-on-Chip (DMSoC) Real-Time Out (RTO) Controller Reference Guide** This document describes the Real Time Out (RTO) controller in the TMS320DM335 Digital Media System-on-Chip (DMSoC).
- [SPRUFY8](#) — TMS320DM335 Digital Media System-on-Chip (DMSoC) General-Purpose Input/Output (GPIO) Reference Guide** This document describes the general-purpose input/output (GPIO) peripheral in the TMS320DM335 Digital Media System-on-Chip (DMSoC). The GPIO peripheral provides dedicated general-purpose pins that can be configured as either inputs or outputs. When configured as an input, you can detect the state of the input by reading the state of an internal register. When configured as an output, you can write to an internal register to control the state driven on the output pin.
- [SPRUFY9](#) — TMS320DM335 Digital Media System-on-Chip (DMSoC) Universal Serial Bus (USB) Controller Reference Guide** This document describes the universal serial bus (USB) controller in the TMS320DM335 Digital Media System-on-Chip (DMSoC). The USB controller supports data throughput rates up to 480 Mbps. It provides a mechanism for data transfer between USB devices and also supports host negotiation.
- [SPRUFZ0](#) — TMS320DM335 Digital Media System-on-Chip (DMSoC) Enhanced Direct Memory Access (EDMA) Controller Reference Guide** This document describes the operation of the enhanced direct memory access (EDMA3) controller in the TMS320DM335 Digital Media System-on-Chip (DMSoC). The EDMA controller's primary purpose is to service user-programmed data transfers between two memory-mapped slave endpoints on the DMSoC.
- [SPRUFZ1](#) — TMS320DM335 Digital Media System-on-Chip (DMSoC) Asynchronous External Memory Interface (EMIF) Reference Guide** This document describes the asynchronous external memory interface (EMIF) in the TMS320DM335 Digital Media System-on-Chip (DMSoC). The EMIF supports a glueless interface to a variety of external devices.
- [SPRUFZ2](#) — TMS320DM335 Digital Media System-on-Chip (DMSoC) DDR2/Mobile DDR (DDR2/mDDR) Memory Controller Reference Guide** This document describes the DDR2/mDDR memory controller in the TMS320DM335 Digital Media System-on-Chip (DMSoC). The DDR2/mDDR memory controller is used to interface with JESD79D-2A standard compliant DDR2 SDRAM and mobile DDR devices.

[SPRUFZ3](#) — TMS320DM335 Digital Media System-on-Chip (DMSoC) Audio Serial Port (ASP)

Reference Guide This document describes the operation of the audio serial port (ASP) audio interface in the TMS320DM335 Digital Media System-on-Chip (DMSoC). The primary audio modes that are supported by the ASP are the AC97 and IIS modes. In addition to the primary audio modes, the ASP supports general serial port receive and transmit operation, but is not intended to be used as a high-speed interface.

Pulse-Width Modulator (PWM) Peripheral

1 Introduction

This document describes the pulse-width modulator (PWM) peripheral in the TMS320DM335 Digital Media System-on-Chip (DMSoC).

1.1 Purpose of the Peripheral

The pulse width modulator (PWM) feature is very common in embedded systems. It provides a way to generate a pulse periodic waveform for motor control or can act as a digital-to-analog converter with some external components. This PWM peripheral is basically a timer with a period counter and a first-phase duration comparator, where bit width of the period and first-phase duration are both programmable.

1.2 Features

The PWM has the following features:

- 32-bit period counter
- 32-bit first-phase duration counter
- 8-bit repeat counter for one-shot operation. One-shot operation will produce $N + 1$ periods of the waveform, where N is the repeat counter value.
- Configurable to operate in either one-shot or continuous mode.
- One-shot operation can be triggered by the CCD VSYNC output of the video processing subsystem to allow any of the PWM instantiations to be used as a CCD timer.
- Configurable PWM output pin inactive state.
- Interrupt and EDMA synchronization events.
- Emulation support for stop or free-run operation.

1.3 Industry Standard(s) Compliance Statement

The PWM does not conform to any recognized industry standards.

2 Peripheral Architecture

2.1 Clock Control

The PWM peripheral is driven by the auxiliary clock of the PLL controller. The frequency of the auxiliary clock is equal to the input reference clock of the PLL controller, and therefore is not affected by the multiplier and divider values of the PLL controller. The PWM timer counts are referenced to this clock. For more information on the PLL controller and device clocking, see the *TMS320DM335 Digital Media System-on-Chip (DMSoC) ARM Subsystem Reference Guide* ([SPRUFX7](#)).

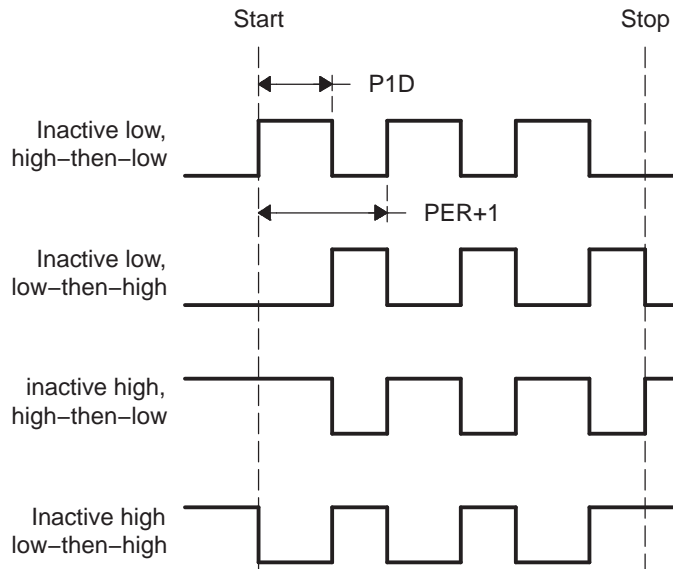
2.2 Signal Descriptions

Each instance of the PWM peripheral has a single output signal, PWM n . The output signal is driven based on the state of the PWM as described below:

- **Inactive state:** When the PWM is idle, the output pin is driven to its inactive output level. This inactive logic state is determined by configuring the INACTOUT bit in the PWM configuration register (CFG).
- **First-phase active state:** During the first phase of an active PWM period, the output signal is driven to the state defined in the P1OUT bit in the PWM configuration register (CFG). The duration of the first phase is controlled by the PWM first-phase duration register (PH1D). The duration of the entire period is controlled by the PWM period register (PER).
- **Second-phase active state:** After the first phase of the period is complete, the output signal is driven to the opposite state of the first phase for the remainder of the period (the second phase).

Figure 1 shows the behavior of PWM n with different combination of active and inactive polarities.

Figure 1. PWM Waveform Polarity Control (PWM_RPT = 2, for 3 periods)



If PH1D value is 0, the first phase has zero time and the opposite of the first-phase output value is driven on PWM n for the entire period. If PH1D is greater than or equal to (PER + 1), the first phase is 100% of the period and the P1OUT output level is sent for the duration of the period.

2.3 Functional Operation

The PWM module can operate in either one-shot or continuous mode. In both modes, the PWM peripheral has a first-phase duration register (PH1D) and a period register (PER) to specify, respectively, the first-phase duration and period of the waveform. The first-phase output level can be configured to be either high or low in the P1OUT bit of the PWM configuration register (CFG) and the second phase output is automatically the opposite polarity of the first-phase level. The inactive state before and after the PWM operation can also be configured to be either a 0 or a 1 in the INACTOUT bit of CFG. For one-shot mode operation, see [Section 2.3.1](#); for continuous mode operation, see [Section 2.3.2](#).

2.3.1 One-Shot Mode Operation

In one-shot mode operation, the PWM produces a series of periods but does not run continuously. The number of periods in the series is controlled by the repeat count contained in the PWM repeat count register (RPT). To select one-shot mode, configure the MODE bit in the PWM configuration register (CFG) to 1h.

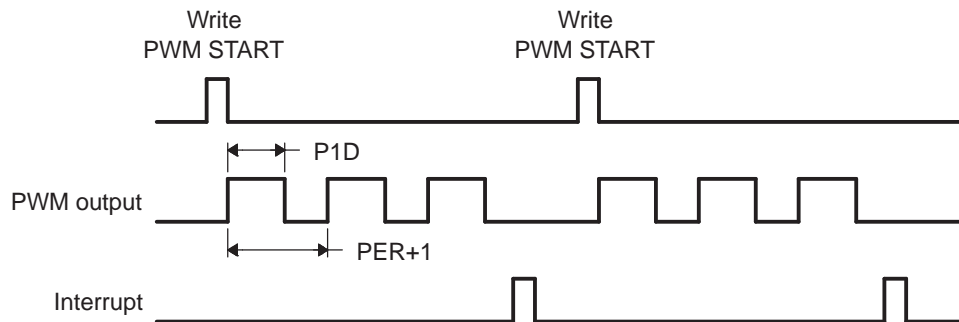
For one-shot mode operation, the PWM should first be configured for mode, period, and first-phase duration, along with other configuration options. The PWM uses the last programmed set of parameters once it is started by writing a 1 to the START bit in the PWM start register (START).

Once started, the PWM asserts/deasserts the output as configured, driving to the first-phase output level during the first phase and the opposite level during the second phase. When the prescribed number of RPT + 1 periods of pulses expire, the peripheral sends an interrupt to the system (if the interrupt is enabled in CFG). The PWM then becomes inactive until the START bit is written a 1 again.

The PWM is stopped during one-shot mode operation by changing the MODE bit to 0 (disable). When the PWM is disabled, the output is immediately driven to the configured inactive state.

[Figure 2](#) shows the one-shot mode operation. The waveform generation is started by writing to the START bit (assuming event triggering is disabled). After RPT + 1 number of periods, the waveform stops and an interrupt is generated. The polarity is configured as inactive low, first phase high-then-low.

Figure 2. PWM One-Shot Mode Operation (P1OUT = 1, INACTOUT = 0, EVTRIG = 0, PWM_RPT = 2)



2.3.1.1 Event-Triggered One-Shot Mode Operation

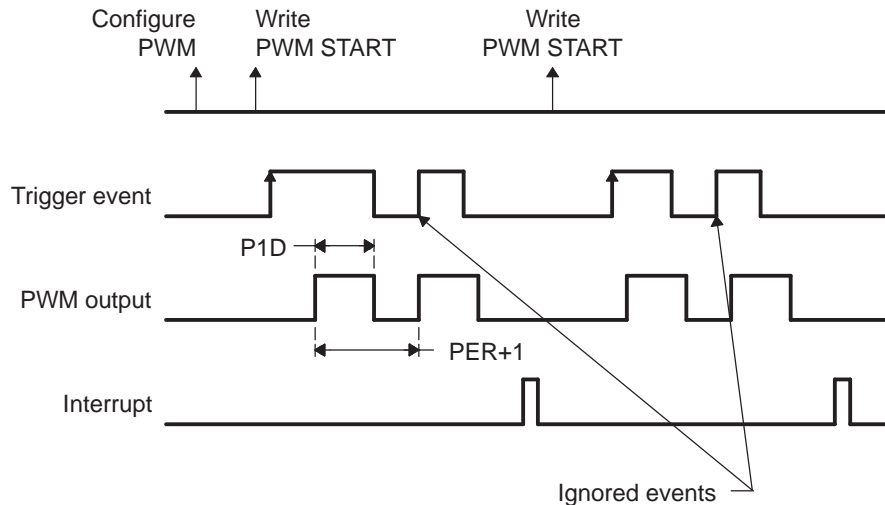
In one-shot mode, the PWM senses a rising or falling transition on an event-trigger input signal to start the operation. This event trigger input is synchronized to the PWM clock inside the module and is driven by the video processing subsystem CCDC_VD output signal. This capability is provided to allow the PWM to be used as a CCD timer.

The trigger event can be detected on the rising edge or the falling edge of CCDC_VD. After event triggering is enabled as part of the configuration process, a write to the PWM START register (START) starts the sensing circuitry in the PWM and after the first event, the PWM starts the period counting.

[Figure 3](#) shows the event-triggered one-shot mode operation. Note that each subsequent event does not restart period counting. It takes another write to the START bit to sense the event signal again. Also note, that events received within the PWM period are ignored as well.

The PWM is stopped from the event-triggered one-shot mode operation by changing the MODE bit to 0 (disable). When the PWM is disabled, the output is immediately driven to the configured inactive state.

Figure 3. PWM Event-Triggered One-Shot Mode Operation (P1OUT = 1, INACTOUT = 0, EVTRIG = 1, PWM_RPT = 1)



2.3.2 Continuous Operation

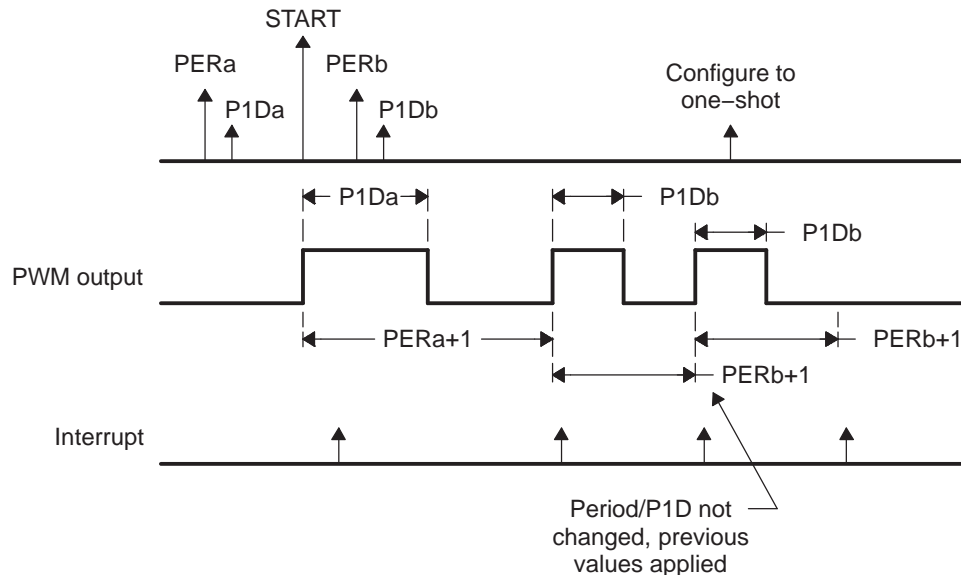
In continuous mode operation, the PWM produces the repeating output waveforms continuously without stopping. For continuous mode operation, the PWM should first be configured for mode, period, and first-phase duration, along with other configuration options. The PWM uses the last programmed set of parameters once it is started by writing a 1 to the START bit in the PWM start register (START). Unlike the one-shot mode, the repeat count does not affect the continuous operation. To select continuous mode, configure the MODE bit in the PWM configuration register (CFG) to 2h.

Once started, the PWM asserts/deasserts the output as configured, driving to first-phase output level during the first phase and the opposite level during the second phase. Once a period expires, the next period starts. When a period starts, the PWM copies the period and first-phase duration registers into a set of internal shadow registers and maintains the counts there. An interrupt is also generated (if enabled) after the registers are copied. This buffering scheme and interrupt timing allows the CPU or EDMA to program the durations for the next period while the current period is running.

The PWM is stopped during the continuous mode operation by either disabling it or by reconfiguring it to one-shot mode using the MODE bit. Whenever the PWM is disabled, the output is immediately driven to the configured inactive state. To allow the PWM to stop gracefully from continuous operation, upon an interrupt, configure the PWM to one-shot mode operation. The PWM then operates for RPT + 1 periods and stops by itself (sending an interrupt, if enabled). Note that unlike normal one-shot mode operation, another write to the START bit is not required for the one-shot mode operation to start.

While operating in continuous mode, the minimum period for the PWM is 8 cycles.

Figure 4 shows programming of period/first-phase-duration, and the resulting output waveform, and interrupt signal for continuous operation.

Figure 4. PWM Continuous Mode Operation (P1OUT = 1, INACTOUT = 0, EVTRIG = 1, PWM_RPT = 0)


2.4 Reset Considerations

2.4.1 Software Reset Considerations

A software reset (such as a reset generated by the emulator) causes the PWM peripheral registers to return to their default state after reset.

2.4.2 Hardware Reset Considerations

A hardware reset of the processor causes the PWM peripheral registers to return to their default values after reset.

2.5 Initialization

To initialize and start the PWM:

1. Write the desired period duration to the PWM period register (PER)
2. Write the desired first-phase duration to the PWM first-phase duration register (PH1D)
3. If one-shot mode will be used, write the desired repeat value to the PWM repeat count register (RPT).
4. Configure the operating mode, inactive output level, first-phase output level, and event trigger behavior in the CFG register.
5. If interrupts will be used, enable interrupts in the PWM configuration register (CFG).
6. Configure how the PWM responds to emulation suspend events in the PWM peripheral control register (PCR). See [Section 2.9](#) for more information.
7. Start the PWM by writing a 1 to the START bit in the PWM start register (START).

2.6 Interrupt Support

There is a single interrupt from the CPU interrupt controller for each PWM instance.

When the PWM is configured in one-shot mode and the interrupt bit (INTEN) in the PWM CFG register is enabled, the peripheral generates an interrupt when RPT+1 number of periods have been completed.

When the PWM is configured in continuous mode and the interrupt bit (INTEN) in the PWM configuration register (CFG) is enabled, the PWM peripheral generates an interrupt every period after the first-phase duration register and period register values have been copied to the associated shadow registers. This event indicates it is safe to program the duration values for the next period.

2.6.1 Interrupt Multiplexing

The interrupts from the PWM peripheral instances are not multiplexed with any other interrupt sources on the device.

2.7 EDMA Event Support

The PWM provides EDMA synchronization events to allow the EDMA to update the values for the first-phase duration and period registers. The EDMA events occur at the same times as the interrupts previously described. For detailed information on EDMA synchronization events, see the device-specific data manual.

2.8 Power Management

The PWM peripheral can be placed in reduced-power modes to conserve power during periods of low activity. The power management of the PWM peripheral is controlled by the processor Power and Sleep Controller (PSC). The PSC acts as a master controller for power management for all of the peripherals on the device. For detailed information on power management procedures using the PSC, see the *TMS320DM335 Digital Media System-on-Chip (DMSoC) ARM Subsystem Reference Guide* ([SPRUFX7](#)).

When the PWM peripheral exits the power-down state, it will resume normal function (no register values are altered), but a write to the START bit is required to restart operation. If the PWM was configured to be event-triggered before power-down, a trigger event will also be required to restart the PWM after it exits the power-down state.

2.9 Emulation Considerations

The PWM implements a FREE bit in the PWM peripheral control register (PCR) to determine operation during an emulation stop. If FREE is set to 1, the PWM continues to run during an emulation stop; if FREE is cleared to 0 (default), then the following occurs:

- Suspend operation immediately.
- Freeze PWM output at its current state.
- Suspend internal counters.
- Suspend interrupt generation.
- Keep the event capture circuitry functional. If the PWM is configured for event-triggered operation and is waiting for an event, an event coming in during suspend is registered and the PWM period starts as soon as the emulation suspend is deasserted.

3 Registers

Table 1 lists the memory-mapped registers for the pulse-width modulator (PWM) controller. See the device-specific data manual for the memory addresses of these registers.

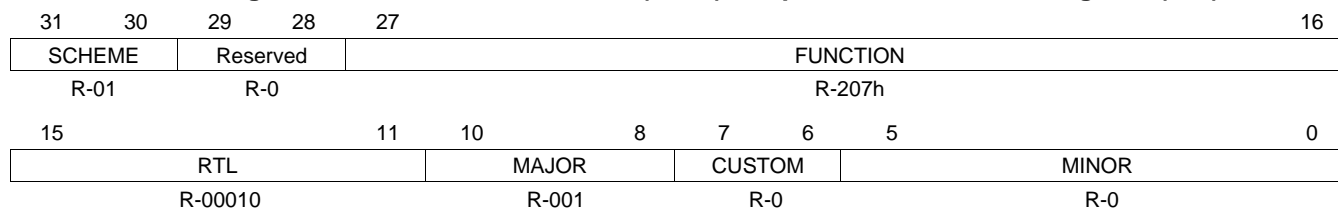
Table 1. Pulse Width Modulator (PWM) Registers

Offset	Acronym	Register Description	Section
00h	PID	PWM Peripheral Identification Register	Section 3.1
04h	PCR	PWM Peripheral Control Register	Section 3.2
08h	CFG	PWM Configuration Register	Section 3.3
0Ch	START	PWM Start Register	Section 3.4
10h	RPT	PWM Repeat Count Register	Section 3.5
14h	PER	PWM Period Register	Section 3.6
18h	PH1D	PWM First-Phase Duration Register	Section 3.7

3.1 Pulse Width Modulator (PWM) Peripheral Identification Register (PID)

The pulse-width modulator (PWM) peripheral identification register (PID) contains identification data (type, class, and revision) for the peripheral. PID is shown in Figure 5 and described in Table 2.

Figure 5. Pulse Width Modulator (PWM) Peripheral Identification Register (PID)



LEGEND: R = Read only; -n = value after reset

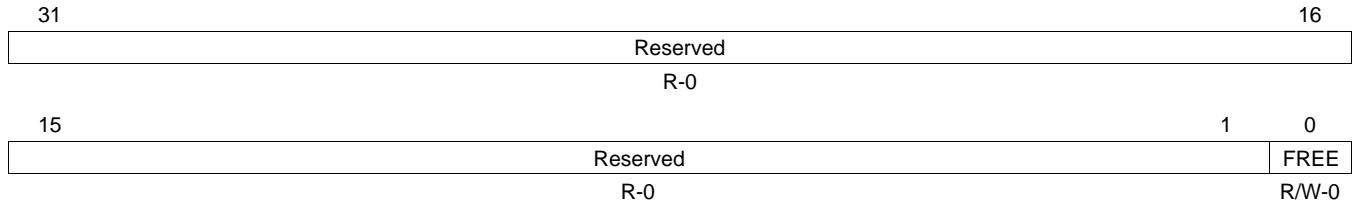
Table 2. Pulse Width Modulator (PWM) Peripheral Identification Register (PID) Field Descriptions

Bit	Field	Value	Description
31-30	SCHEME	0-4 01	Identifies scheme of peripheral identification id encoding. Current scheme of encoding is 01
29-28	Reserved	0	Reserved
27-16	FUNCTION	0-FFFh 207h	Identifies function id of peripheral. Current function id of peripheral.
15-11	RTL	0-1Fh 02h	Identifies RTL revision version of peripheral. Current RTL revision version of peripheral.
10-8	MAJOR	0-7h 001	Identifies MAJOR revision version of peripheral. Current MAJOR revision version of peripheral.
7-6	CUSTOM	0-3h 0	Identifies CUSTOM revision version of peripheral. Current CUSTOM revision version of peripheral.
5-0	MINOR	0-3Fh 0	Identifies MINOR revision version of peripheral. Current MINOR revision version of peripheral.

3.2 Pulse Width Modulator (PWM) Peripheral Control Register (PCR)

The pulse-width modulator (PWM) peripheral control register (PCR) is shown in [Figure 6](#) and described in [Table 3](#).

Figure 6. Pulse Width Modulator (PWM) Peripheral Control Register (PCR)



LEGEND: R/W = Read/Write; R = Read only; -n = value after reset

Table 3. Pulse Width Modulator (PWM) Peripheral Control Register (PCR) Field Descriptions

Bit	Field	Value	Description
31-1	Reserved	0	Reserved
0	FREE	0	Free-running enable mode bit. This bit determines the behavior of the PWM when an emulation suspend event occurs (halt or breakpoint). The PWM stops immediately.
		1	Free-running mode is enabled; the PWM continues to run free.

3.3 Pulse Width Modulator (PWM) Configuration Register (CFG)

The pulse-width modulator (PWM) configuration register (CFG) is shown in [Figure 7](#) and described in [Table 4](#).

Figure 7. Pulse Width Modulator (PWM) Configuration Register (CFG)

31	Reserved										18	17	16	
											OPST	CURLEV		
R-0											R-0	R-0		
15	Reserved						7	6	5	4	3	2	1	0
							INTEN	INACTOUT	P1OUT	EVTRIG	MODE			
R-0							R/W-0	R/W-0	R/W-0	R/W-0	R/W-0			

LEGEND: R/W = Read/Write; R = Read; -n = value at reset

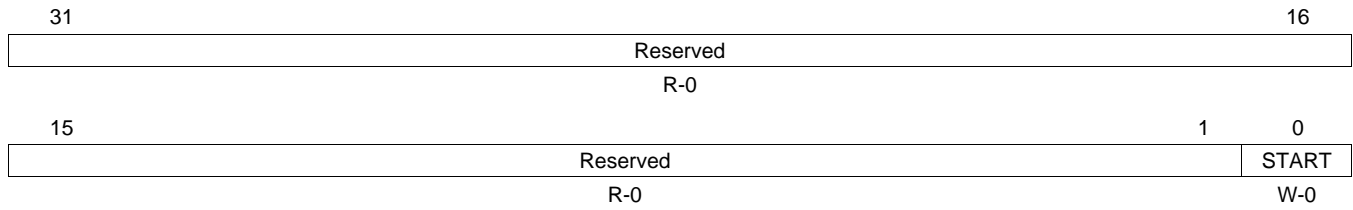
Table 4. Pulse Width Modulator (PWM) Configuration Register (CFG) Field Descriptions

Bit	Field	Value	Description
31-18	Reserved	0	Reserved
17	OPST	0	PWM operation status. Idle mode
		1	Running mode
16	CURLEV	0	PWM output status. Low
		1	High
15-7	Reserved	0	Reserved
6	INTEN	0	Interrupt enable. Disable interrupt
		1	Enable interrupt
5	INACTOUT	0	Inactive output level. Low
		1	High
4	P1OUT	0	First-phase output level. Low
		1	High
3-2	EVTRIG	0-3h	Event trigger.
		0	Disable
		1h	Positive edge triggered
		2h	Negative edge triggered
1-0	MODE	3h	Reserved
		0-3h	Operating mode.
		0	Disable
		1h	One shot mode
		2h	Continuous mode
		3h	Reserved

3.4 Pulse Width Modulator (PWM) Start Register (START)

The pulse-width modulator (PWM) start register (START) is shown in [Figure 8](#) and described in [Table 5](#).

Figure 8. Pulse Width Modulator (PWM) Start Register (START)



LEGEND: R/W = Read/Write; W= Write only; -n = value after reset

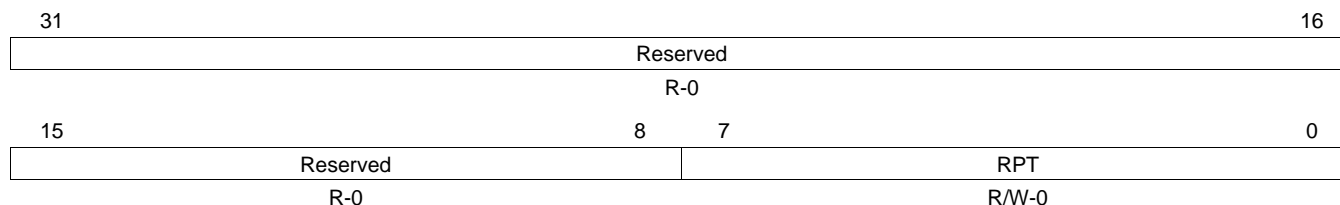
Table 5. Pulse Width Modulator (PWM) Start Register (START) Field Descriptions

Bit	Field	Value	Description
31-1	Reserved	0	Reserved
0	START	0	No effect
		1	Start PWM.

3.5 Pulse Width Modulator (PWM) Repeat Count Register (RPT)

The pulse-width modulator (PWM) repeat count register (RPT) is shown in [Figure 9](#) and described in [Table 6](#).

Figure 9. Pulse Width Modulator (PWM) Repeat Count Register (RPT)



LEGEND: R/W = Read/Write; R = Read only; -n = value after reset

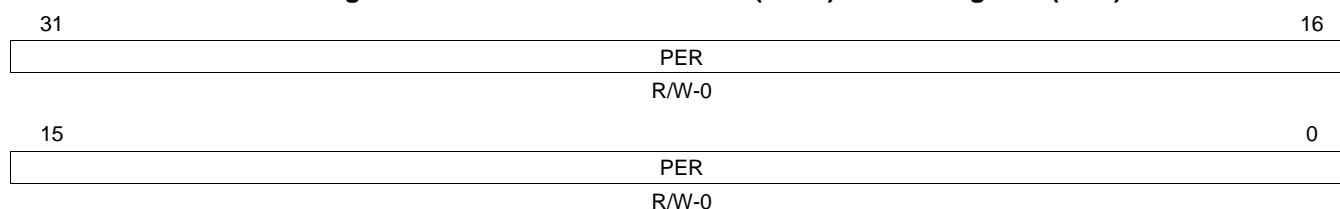
Table 6. Pulse Width Modulator (PWM) Repeat Count Register (RPT) Field Descriptions

Bit	Field	Value	Description
31-8	Reserved	0	Reserved
7-0	RPT	0-FFh	One-shot mode repeat count is RPT + 1.

3.6 Pulse Width Modulator (PWM) Period Register (PER)

The pulse-width modulator (PWM) period register (PER) is shown in [Figure 10](#) and described in [Table 7](#).

Figure 10. Pulse Width Modulator (PWM) Period Register (PER)



LEGEND: R/W = Read/Write; -n = value after reset

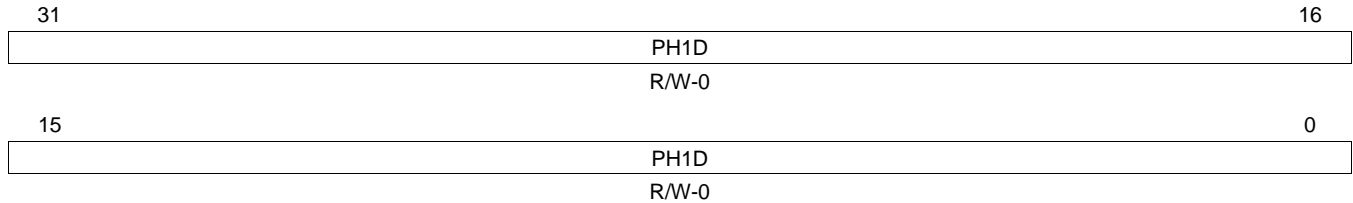
Table 7. Pulse Width Modulator (PWM) Period Register (PER) Field Descriptions

Bit	Field	Value	Description
31-0	PER	0-FFFF FFFFh	Output period is PER + 1 clock cycles.

3.7 Pulse Width Modulator (PWM) First-Phase Duration Register (PH1D)

The pulse-width modulator (PWM) first-phase duration register (PH1D) is shown in [Figure 11](#) and described in [Table 8](#).

Figure 11. Pulse Width Modulator (PWM) First-Phase Duration Register (PH1D)



LEGEND: R/W = Read/Write; -n = value after reset

Table 8. Pulse Width Modulator (PWM) First-Phase Duration Register (PH1D) Field Descriptions

Bit	Field	Value	Description
31-0	PH1D	0-FFFF FFFFh	First-phase duration is PH1D clock cycles.

4 Revision History

[Table 9](#) lists the changes made since the previous version of this document.

Table 9. Revision History

References	Additions, Deletes, and Edits
Section 3.1	Updated register.

IMPORTANT NOTICE

Texas Instruments Incorporated and its subsidiaries (TI) reserve the right to make corrections, modifications, enhancements, improvements, and other changes to its products and services at any time and to discontinue any product or service without notice. Customers should obtain the latest relevant information before placing orders and should verify that such information is current and complete. All products are sold subject to TI's terms and conditions of sale supplied at the time of order acknowledgment.

TI warrants performance of its hardware products to the specifications applicable at the time of sale in accordance with TI's standard warranty. Testing and other quality control techniques are used to the extent TI deems necessary to support this warranty. Except where mandated by government requirements, testing of all parameters of each product is not necessarily performed.

TI assumes no liability for applications assistance or customer product design. Customers are responsible for their products and applications using TI components. To minimize the risks associated with customer products and applications, customers should provide adequate design and operating safeguards.

TI does not warrant or represent that any license, either express or implied, is granted under any TI patent right, copyright, mask work right, or other TI intellectual property right relating to any combination, machine, or process in which TI products or services are used. Information published by TI regarding third-party products or services does not constitute a license from TI to use such products or services or a warranty or endorsement thereof. Use of such information may require a license from a third party under the patents or other intellectual property of the third party, or a license from TI under the patents or other intellectual property of TI.

Reproduction of TI information in TI data books or data sheets is permissible only if reproduction is without alteration and is accompanied by all associated warranties, conditions, limitations, and notices. Reproduction of this information with alteration is an unfair and deceptive business practice. TI is not responsible or liable for such altered documentation. Information of third parties may be subject to additional restrictions.

Resale of TI products or services with statements different from or beyond the parameters stated by TI for that product or service voids all express and any implied warranties for the associated TI product or service and is an unfair and deceptive business practice. TI is not responsible or liable for any such statements.

TI products are not authorized for use in safety-critical applications (such as life support) where a failure of the TI product would reasonably be expected to cause severe personal injury or death, unless officers of the parties have executed an agreement specifically governing such use. Buyers represent that they have all necessary expertise in the safety and regulatory ramifications of their applications, and acknowledge and agree that they are solely responsible for all legal, regulatory and safety-related requirements concerning their products and any use of TI products in such safety-critical applications, notwithstanding any applications-related information or support that may be provided by TI. Further, Buyers must fully indemnify TI and its representatives against any damages arising out of the use of TI products in such safety-critical applications.

TI products are neither designed nor intended for use in military/aerospace applications or environments unless the TI products are specifically designated by TI as military-grade or "enhanced plastic." Only products designated by TI as military-grade meet military specifications. Buyers acknowledge and agree that any such use of TI products which TI has not designated as military-grade is solely at the Buyer's risk, and that they are solely responsible for compliance with all legal and regulatory requirements in connection with such use.

TI products are neither designed nor intended for use in automotive applications or environments unless the specific TI products are designated by TI as compliant with ISO/TS 16949 requirements. Buyers acknowledge and agree that, if they use any non-designated products in automotive applications, TI will not be responsible for any failure to meet such requirements.

Following are URLs where you can obtain information on other Texas Instruments products and application solutions:

Products		Applications	
Amplifiers	amplifier.ti.com	Audio	www.ti.com/audio
Data Converters	dataconverter.ti.com	Automotive	www.ti.com/automotive
DLP® Products	www.dlp.com	Communications and Telecom	www.ti.com/communications
DSP	dsp.ti.com	Computers and Peripherals	www.ti.com/computers
Clocks and Timers	www.ti.com/clocks	Consumer Electronics	www.ti.com/consumer-apps
Interface	interface.ti.com	Energy	www.ti.com/energy
Logic	logic.ti.com	Industrial	www.ti.com/industrial
Power Mgmt	power.ti.com	Medical	www.ti.com/medical
Microcontrollers	microcontroller.ti.com	Security	www.ti.com/security
RFID	www.ti-rfid.com	Space, Avionics & Defense	www.ti.com/space-avionics-defense
RF/IF and ZigBee® Solutions	www.ti.com/lprf	Video and Imaging	www.ti.com/video
		Wireless	www.ti.com/wireless-apps

Mailing Address: Texas Instruments, Post Office Box 655303, Dallas, Texas 75265
Copyright © 2010, Texas Instruments Incorporated