

# AM571x Industrial Development Kit (IDK) Evaluation Module (EVM) Hardware

## User's Guide



Literature Number: SPRUI97D  
May 2017–Revised September 2019

<b>Preface</b> .....	<b>5</b>
<b>1 Introduction</b> .....	<b>6</b>
1.1 Description .....	6
1.2 System View .....	7
<b>2 Functional Description</b> .....	<b>11</b>
2.1 Processor .....	12
2.2 Clocks .....	12
2.3 Reset Signals .....	12
<b>3 Power Supplies</b> .....	<b>13</b>
3.1 Power Source .....	13
3.2 TPS6590377 PMIC .....	13
3.3 AVS Control .....	13
3.4 Other Power Supplies .....	14
<b>4 Configuration/Setup</b> .....	<b>15</b>
4.1 Boot Configuration .....	15
4.2 I2C Address Assignments .....	15
4.3 SEEPROM Header .....	16
4.4 JTAG Emulation .....	16
<b>5 Memories Supported</b> .....	<b>17</b>
5.1 DDR3L SDRAM .....	17
5.2 SPI NOR Flash .....	17
5.3 Board Identity Memory .....	17
5.4 SD/MMC .....	17
5.5 eMMC NAND Flash .....	17
<b>6 Ethernet Ports</b> .....	<b>18</b>
6.1 100Mb Ethernet Ports on PRU-ICSS .....	18
6.2 Gigabit (1000Mb) Ethernet Ports .....	18
<b>7 USB Ports</b> .....	<b>19</b>
7.1 Processor USB Port 1 .....	19
7.2 Processor USB Port 2 .....	19
7.3 FTDI USB Port .....	19
<b>8 PCIe</b> .....	<b>20</b>
<b>9 Video Input and Output</b> .....	<b>20</b>
9.1 Camera .....	20
9.2 HDMI .....	20
9.3 LCD .....	20
<b>10 Industrial Interfaces</b> .....	<b>21</b>
10.1 Profibus .....	21
10.2 DCAN .....	21
10.3 RS-485 .....	21
<b>11 User Interfaces</b> .....	<b>21</b>

11.1	Tri-color LEDs .....	21
11.2	Industrial Inputs .....	21
11.3	Industrial Outputs / LEDs .....	21
<b>12</b>	<b>Pin Use Description .....</b>	<b>22</b>
12.1	Functional Interface Mapping .....	22
12.2	GPIO Pin Mapping.....	22
<b>13</b>	<b>Board Connectors .....</b>	<b>24</b>
<b>14</b>	<b>EVM Important Notice .....</b>	<b>37</b>
<b>Appendix A</b>	<b>Known Deficiencies in AM571x IDK EVM .....</b>	<b>38</b>
A.1	Power solution not sufficient for full PCIe plug-in card compliance.....	38
A.2	Early versions of the AM571x IDK EVM not installed with SOC devices rated for the full industrial temperature range .....	38
A.3	AM571x IDK EVM does not support eMMC HS200 mode.....	38
A.4	PCIe PERSTn line not in proper state at start-up.....	38
A.5	EDIO connectors J4 and J7 should support real-time debugging for both PRU1 and PRU2 .....	38
A.6	HDQ implementation not correct .....	38
A.7	Removing the power plug and inserting it again while the power supply is energized may cause damage .....	38
A.8	Software shutdown of PMIC not operational .....	39
A.9	CCS System Reset fails .....	39
A.10	AM571x IDK EVM design contains 2 clamp circuits that may not be necessary .....	39
A.11	Crystal connected to osc0 needs to have 50ppm or better long term accuracy .....	39
A.12	Software must program the CDCE913 for 0pf load capacitance.....	39
A.13	Protection diode D2 should be rated for 5V .....	39
A.14	PHY address LSB for U9 and U15 can be latched incorrectly .....	40
A.15	3.3-V clamp circuit needs more margin .....	40
A.16	Current PMIC does not provide the mandated power down sequence .....	40
A.17	Power supply droop may cause board reset .....	40
A.18	AM5718 pin N21 must be connected to 1.8 V, as it is VDDS18V_DDR1 and not N/C .....	40
A.19	VOUT1 is used at 3.3 V, which violates erratum i920.....	40
A.20	PMIC OSC16MCAP pin mistakenly grounded .....	40
<b>Revision History</b>	.....	<b>41</b>

## List of Figures

1	AM571x IDK EVM - Top View.....	7
2	AM571x IDK EVM - Bottom View.....	8
3	AM571x IDK EVM with Camera Board Installed.....	9
4	AM571x IDK EVM with LCD Display Assembly Attached .....	10
5	AM571x IDK EVM Block Diagram .....	11
6	Connections from the TPS6590377 PMIC to the AM571x Processor.....	14

## List of Tables

1	I2C1/IND_I2C .....	15
2	I2C2/AM571X_HDMI_DDC .....	15
3	SEEPROM Header.....	16
4	PRU-ICSS Ethernet Ports.....	18
5	GPIO Pin Mapping .....	23
6	Expansion Connector - J21 .....	24
7	I/O Expansion Header Connector - J37 .....	26
8	MicroSD Connector - J15 .....	27
9	Power Jack Connector - J1 .....	27
10	Power Terminal Block Connector - J2.....	27
11	PRU1ETH0 RJ45 Connector - J3.....	28
12	PRU1ETH1 RJ45 Connector - J5.....	28
13	PRU2ETH0 RJ45 Connector - J6.....	29
14	PRU2ETH1 RJ45 Connector - J8.....	29
15	PRU2ETH0 Test Header Connector - J7 .....	30
16	PRU2ETH1 Test Header Connector - J4 .....	30
17	Camera Connector - J9.....	30
18	GigE RJ45 Connector - J10.....	31
19	GigE RJ45 Connector - J12.....	31
20	LCD Module FFC Connector - J16.....	32
21	Touchscreen Controller FFC Connector - J17 .....	32
22	HDMI Standard A-type Connector - J24 .....	33
23	CTI-20 JTAG Connector - J18.....	33
24	JTAG USB Micro-AB Connector - J19 .....	34
25	USB Port 1 USB2.1 Standard A-type Connector - J23.....	34
26	USB Port 2 USB2.1 Micro-AB Connector - J45 .....	34
27	CAN Header Connector - J38 .....	35
28	Profibus DB9F Connector - J14 .....	35
29	RS-485 Header Connector - J39 .....	35
30	PCIe Connector - J52 .....	36

## Read This First

---

---

---

### About This Manual

This document describes the hardware architecture of the AM571x Industrial Development Kit (IDK) Evaluation Module (EVM) (Part# TMDXIDK571x) that supports the Texas Instruments Sitara™ ARM® Cortex®-A15 AM571x processor family.

### Glossary

*TI Glossary*—This glossary lists and explains terms, acronyms, and definitions.

### Related Documentation From Texas Instruments

For product information, visit the Texas Instruments website at <http://www.ti.com>.

**SPRS957**— [AM571x Sitara Processors Silicon Revision 2.0 Data Manual](#)

**SPRZ436**— [AM571x Sitara Processors Silicon Errata](#). Describes the known exceptions to the functional specifications for the device.

**SPRUH27**— [AM571x Sitara Processors Silicon Revision 2.0, 1.0 Technical Reference Manual](#). Details the integration, the environment, the functional description, and the programming models for each peripheral and subsystem in the device.

### Support Resources

[TI E2E™ support forums](#) are an engineer's go-to source for fast, verified answers and design help — straight from the experts. Search existing answers or ask your own question to get the quick design help you need.

Linked content is provided "AS IS" by the respective contributors. They do not constitute TI specifications and do not necessarily reflect TI's views; see TI's [Terms of Use](#).

### Trademarks

Sitara, E2E, Code Composer Studio, SmartReflex are trademarks of Texas Instruments.  
ARM, Cortex are registered trademarks of ARM Limited.  
Windows is a registered trademark of Microsoft Corporation.

# ***AM571x Industrial Development Kit (IDK) Evaluation Module (EVM) Hardware***

---

---

---

## **1 Introduction**

This document describes the hardware architecture of the AM571x Industrial Development Kit (IDK) Evaluation Module (EVM) (Part# TMDXIDK571x) that supports the Texas Instruments Sitara™ ARM® Cortex®-A15 AM571x processor family.

### **1.1 Description**

The AM571x IDK is a standalone test, development, and evaluation module that enables developers to write software and develop hardware for industrial control and industrial communications applications. It has been equipped with a TI AM5718 processor and a defined set of features to allow you to experience industrial communication solutions using various serial or Ethernet based interfaces. Using standard interfaces, the AM571x IDK may interface to other processors or systems and act as a communication gateway or controller. In addition, it can directly operate as a standard remote I/O system or a sensor connected to an industrial communication network.

The AM571x IDK contains embedded emulation circuitry to quickly enable developers to begin using this IDK. The embedded emulation logic allows emulation and debug using standard development tools such as the Texas Instruments Code Composer Studio™ integrated development environment (IDE) by simply connecting a USB cable to a Windows®-based computer.

The standard (4-port Ethernet) configuration for the AM571x IDK EVM provides the following functionality:

- Two Gigabit (1000Mb) metallic ports connected via PHY/RGMII to the on-chip Ethernet switch
- Two 100Mb metallic ports connected via PHY/MII to the PRU-ICSS subsystems
- LCD panel output from Display Parallel Interface (DPI) Video Output 1

Reconfiguration through header shunt removal provides an alternate 6-port Ethernet configuration:

- Two Gigabit (1000Mb) metallic ports connected via PHY/RGMII to the on-chip Ethernet switch
- Four 100Mb metallic ports connected via PHY/MII to the PRU-ICSS subsystems

Software support for the AM571x IDK EVM is provided within the Processor Software Development Kit (SDK) package. This includes both Linux and RTOS support.

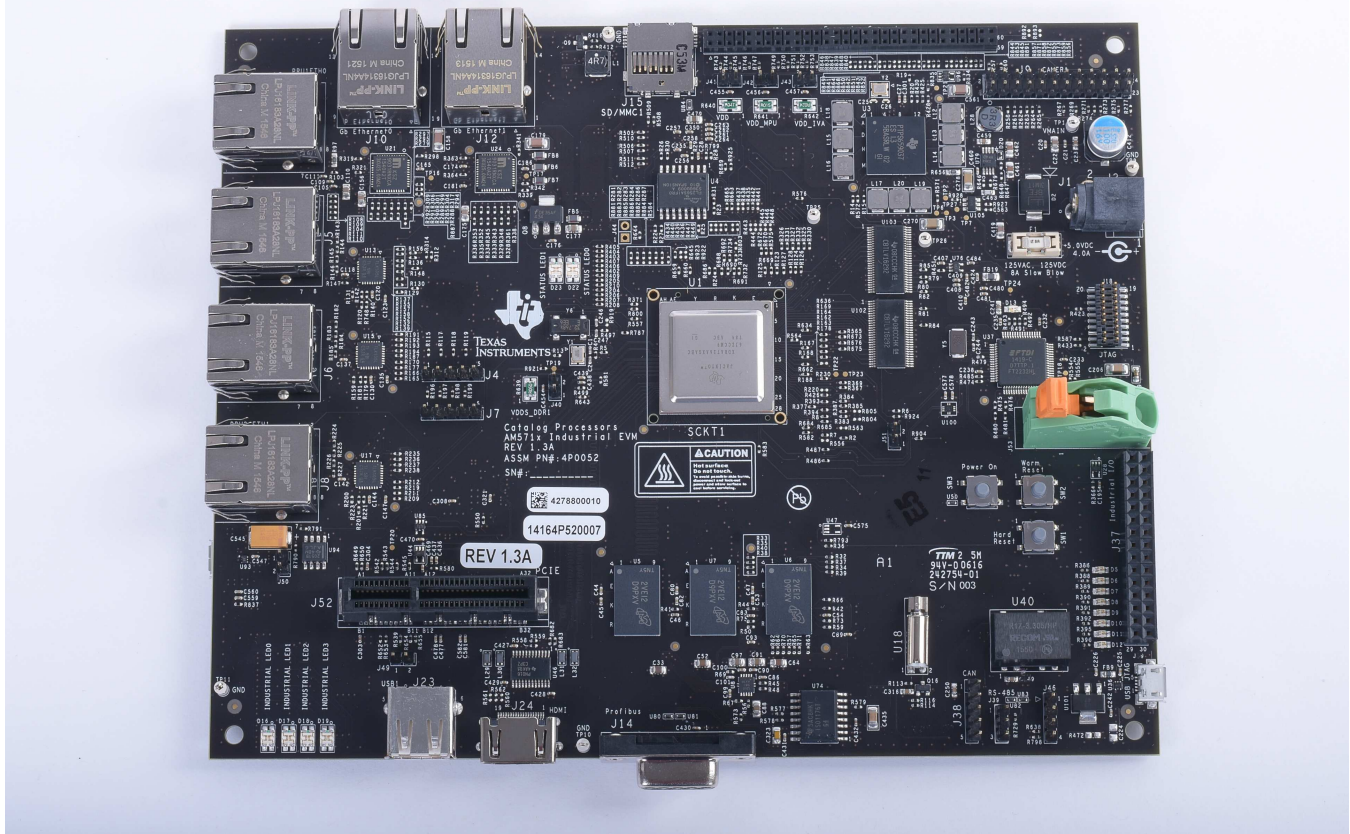
## 1.2 System View

The system view of the AM571x IDK EVM consists of the main board and the camera board. There is also an optional LCD panel and touch screen assembly that can be attached to the AM571x IDK EVM.

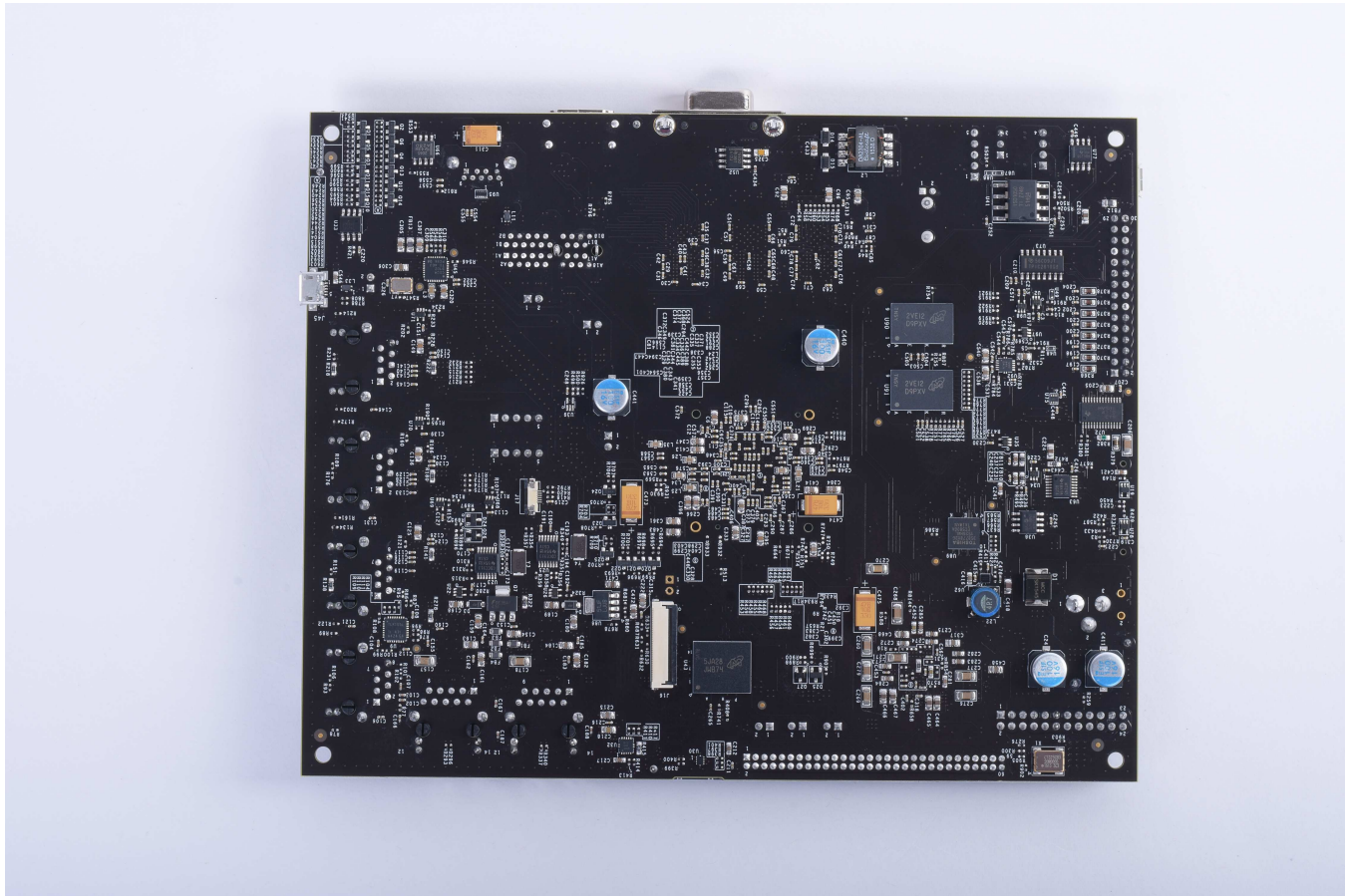
The top and the bottom views of the AM571x IDK EVM are provided in [Figure 1](#) and [Figure 2](#), respectively.

The top view of the AM571x IDK EVM with the camera board installed is provided in [Figure 3](#). The side view of the AM571x IDK EVM with the optional LCD display assembly attached is provided in [Figure 4](#).

**Figure 1. AM571x IDK EVM - Top View**

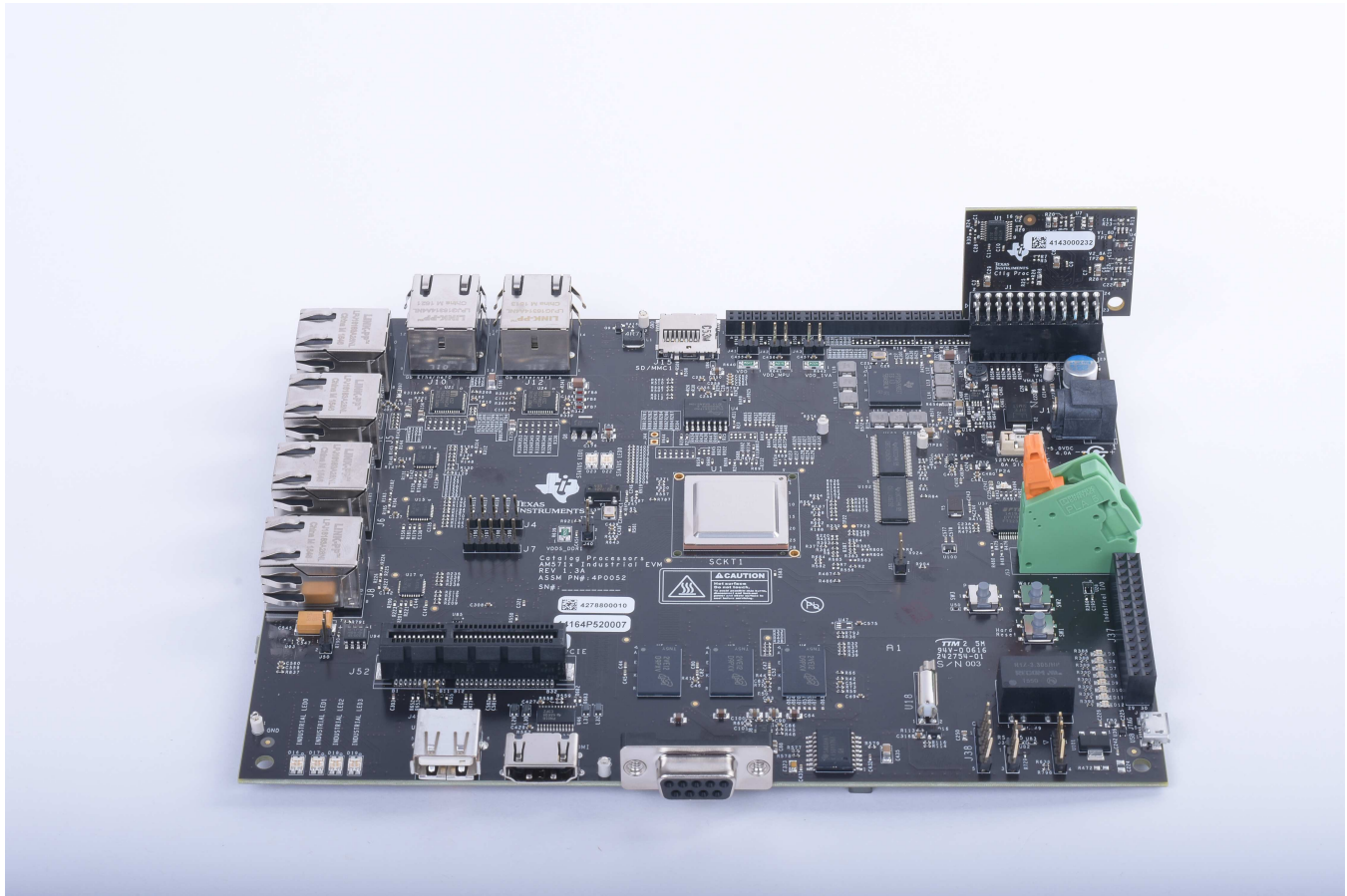


**Figure 2. AM571x IDK EVM - Bottom View**





**Figure 3. AM571x IDK EVM with Camera Board Installed**



**Figure 4. AM571x IDK EVM with LCD Display Assembly Attached**

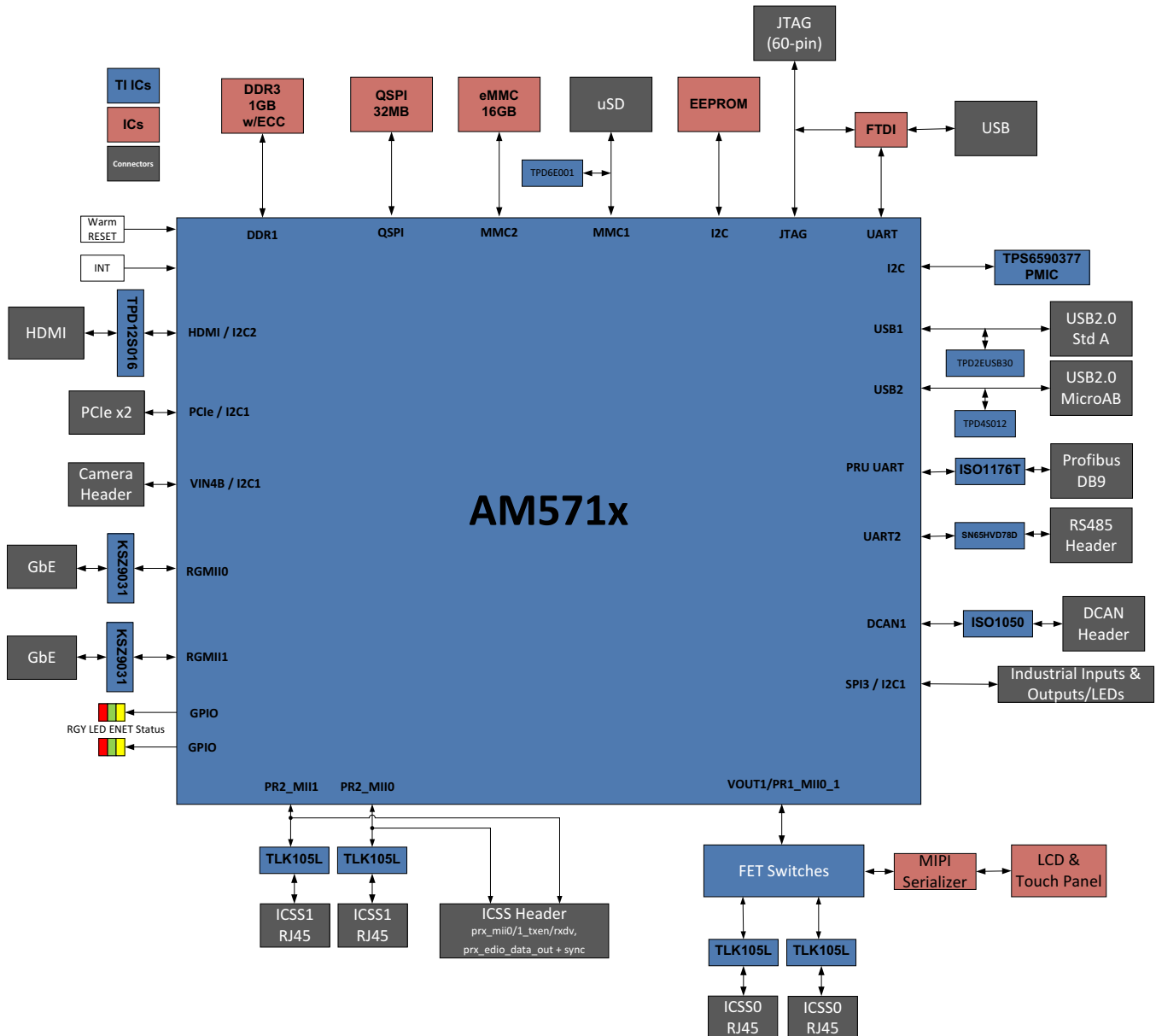


## 2 Functional Description

The AM571x IDK EVM is implemented on a single board with interface circuitry, memory ICs, and connectors around the AM5718 processor. The board also contains power conversion circuitry to efficiently create the needed power supply voltages from a single +5V input. As stated previously, this EVM ships with a separate camera module that plugs in to the main board. An optional LCD panel and touch screen assembly can be purchased separately and mounted on to the main board.

Figure 5 shows the functional block diagram of the AM571x IDK EVM.

Figure 5. AM571x IDK EVM Block Diagram



## 2.1 Processor

The AM5718 processor is the central processing unit for this IDK EVM. The interface circuitry, memory ICs, and connectors implemented on the board around the AM5718 processor provide development support for the many industrial communication interfaces available on this platform. See the [AM571x Sitara Processors Silicon Revision 2.0 Data Manual \(SPRS957\)](#) and the [AM571x Sitara Processors Technical Reference Manual \(SPRUHZ7\)](#) for details about the processor.

The AM571x IDK EVM contains system configuration for the boot mode control inputs SYSBOOT[15..0]. These can be strapped using resistors. The default configuration will meet the needs of most developers. Resistor reconfiguration is supported so that you can explore other boot configurations of the AM571x processor. See [Section 4](#) for more details.

## 2.2 Clocks

The main clock for the processor is derived from a 20-MHz crystal. An on-board oscillator in the AM571x processor generates the base clock and the subsequent module clocks as needed within the AM571x processor. The board design supports a crystal attached to the RTC block, but this is not needed since RTC-only mode is not supported in this device.

## 2.3 Reset Signals

The AM571x processor contains 3 reset inputs and an output indicating a reset is in progress. The reset pins are:

- PORz: PORz is a hard reset that resets everything including emulation logic. It also tri-states most outputs.
- RESETn: RESETn is a device reset commonly driven by control logic or emulation.
- RTC\_PORz: Separate PORz for the RTC module that must be driven at the same time as PORz. (Note that PORz and RTC\_PORz can only be directly connected as long as VDDSHV3 and VDDSHV5 are driven at the same voltage.)
- RSTOUTn: Output signal from SOC indicating that the device has entered reset. This is used to reset other circuits that must be reset at the same time as the processor.

More details about the behavior of these reset pins within the AM571x processor can be found in the [AM571x Sitara Processors Silicon Revision 2.0 Data Manual \(SPRS957\)](#). There are push buttons on the IDK that can initiate either a RESETn or PORz input. SW1 can drive PORz active (low) and SW2 can drive RESETn active (low).

There is a device erratum in all of the AM571x devices that prevents use of RESETn independent from PORz (see i862, Reset Should Use PORz, in the [AM571x Sitara Processors Silicon Errata \(SPRZ436\)](#)). The workaround is to generate PORz whenever a device reset occurs even if it is from an internal initiator. This is accomplished through cooperation with the PMIC paired with the AM571x device on the IDK EVM. The RSTOUTn output from the AM571x device is connected to the NRESWARM input of the PMIC. This initiates a re-start that drives RESET\_OUT low and resets all voltages to their initial values. Since RESET\_OUT from the PMIC is connected to PORz in the AM571x device, a hard reset is forced on the SOC that meets the needs of the erratum workaround.

The AM571x IDK EVM is started by pressing the start-up push button, SW3. The POWERHOLD input can be connected to VRTC\_OUT in customer designs to cause the board to power-on as soon as the main supply is stable.

The configuration of the PMIC to provide RESET\_OUT from the NRESWARM input creates an always-on implementation. This always-on mode of operation prevents software shut-down of the IDK. Customer designs should have power-good monitoring circuitry such as a TPS3808 connected to the main supply to the PMIC that is connected to the PMIC RESET\_IN, as shown in the AM571x IDK EVM schematic (v1.3). The TPS3808 can detect the main supply voltage dropping and then trigger the PMIC to execute a controlled shut-down that meets the requirements in the [AM571x Sitara Processors Silicon Revision 2.0 Data Manual \(SPRS957\)](#).

### 3 Power Supplies

This section describes how the power supplies required for the design are generated.

#### 3.1 Power Source

The AM571x IDK EVM uses an external 5V power supply. The 5V power input is converted into different voltage levels to provide power inputs to the AM571x processor and other circuitry.

Early versions of the AM571x IDK EVM shipped with the GlobTek, Inc. external power supply with the part number TR9CA6500LCP-N, model number GT-43008-3306-1.0-T3. This external power supply is rated for an output voltage of +5VDC with an output current up to 6.5A. This external power supply contains applicable regional product regulatory/safety certification requirements for most worldwide locations. If you cannot use this supply, one with equivalent ratings that is approved for your location must be obtained.

Note that recently sold IDK EVMs do not ship with a power supply in the box due to international concerns. Also note that the power supply listed above is being discontinued. The manufacturer has provided a drop-in replacement. This is the TR9CA8000LCPIM(R6B), which is readily available from distributors such as Digikey.

The AM571x IDK EVM contains a right angle mounted power connector that accepts the +5VDC supply input on the center pin with the outer shell as the common return. The power connector accepts a mating plug with a 2.5-mm ID and a 5.5-mm OD.

Removing the power plug and inserting it again while the power supply is energized may damage the AM571x IDK EVM and/or other devices attached to the board such as emulators that provide an alternate path to ground. Removal of AC power from the external power supply is a safer method, if required.

It is recommended that the external power supply have the common return bonded to earth ground. If this is not possible, a separate connection from the board ground to earth ground may need to be provided. Terminal block J53 is added for this purpose.

#### 3.2 TPS6590377 PMIC

The power requirements of the processor are met by the TPS6590377 Power Management IC (PMIC). The power sequencing requirements of the AM571x processor are also handled by the TPS6590377 PMIC. [Figure 6](#) shows the supply connections from the TPS6590377 PMIC to the AM571x processor.

Refer to the [AM571x Sitara Processors Silicon Revision 2.0 Data Manual \(SPRS957\)](#) for more information about the required supply voltages and supply sequencing. Also refer to the [TPS659037 Power Management Unit \(PMU\) for Processor Data Manual \(SLIS165\)](#) and the [TPS659037 User's Guide to Power AM572x and AM571x User's Guide \(SLIU011\)](#) for details about its operation.

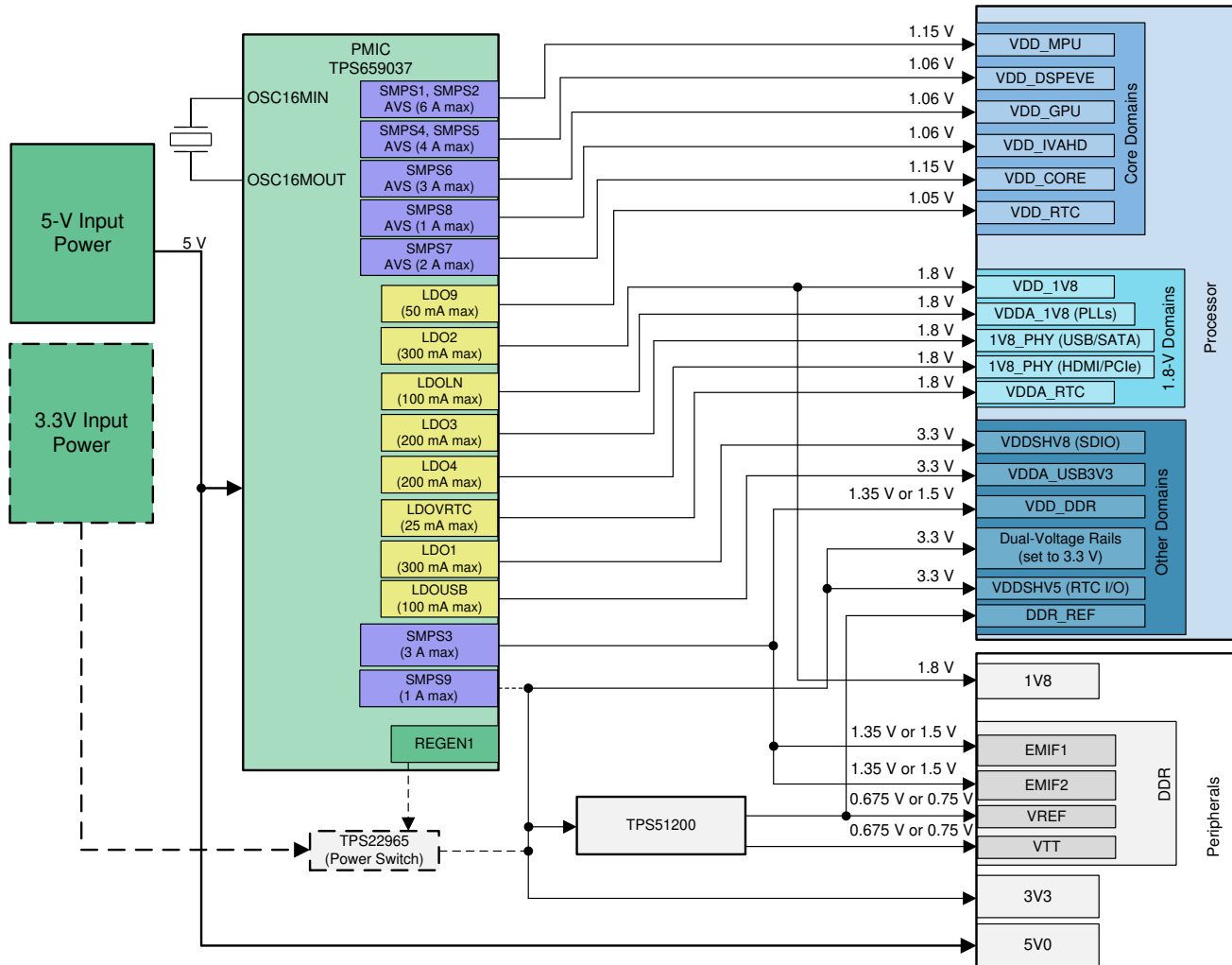
Note that the production version of the AM571x IDK EVM uses the TPS6590377 PMIC that supplies the voltages needed for the latest silicon version of the AM5718 processor. Beta prototype IDK EVM units used the TPS6590375 PMIC and Alpha prototype IDK EVM units used the TPS6590372 PMIC.

#### 3.3 AVS Control

The AM571x processor consumes most of its power in its core logic. Therefore, minimizing the voltage supplied to this core logic can minimize power consumption. SmartReflex™ technology is used to provide this optimized solution.

This core logic is separated into multiple segments that can each be controlled separately. In this way, applications that need more performance in some processing blocks can operate at higher performance levels by increasing the supply voltage, while other processing blocks that do not require the same level of performance can operate at lower voltage thus further optimizing system power consumption.

The TPS6590377 PMIC is connected to the I2C1 on the AM5718 processor. This allows the application software to individually control the AVS supply outputs. It also allows the application to control the voltage generated by LDO1 that is used for the SDIO interface that operates at either 1.8V or 3.3V depending on the operating mode.

**Figure 6. Connections from the TPS6590377 PMIC to the AM571x Processor**


### 3.4 Other Power Supplies

The AM571x IDK EVM contains 8 other power conversion devices that support the interface and memory circuitry:

- **TPS63010 Buck-Boost Converter:** This converter generates 5.0V from the main supply input. It supplies this voltage to the industrial interface circuits, the HDMI interface and to the USB master ports.
- **TPS61085 Boost Converter:** This converter generates 12.0V from the main supply input. It supplies voltage to the industrial interface circuits and the PCIe card connector.
- **TPS51200 DDR Termination Voltage LDO (2 each):** This LDO provides the push/pull termination current required for the DDR3 memory interfaces. There is one implemented for each DDR3 EMIF.
- **LP38693ADJ Low-Dropout Regulator:** This LDO generates the 3.7V LCD bias voltage.
- **TPS61081DRC LCD Backlight Generator:** This Boost converter generates the LCD backlight supply.
- **TPS71712 Low-Dropout Regulator:** This LDO generates the 1.2V supply needed for the LCD driver logic.
- **TPS76650 Low-Dropout Regulator:** This LDO generates the 5.0V supply needed for the Profibus interface.
- **R1Z-3.305HP Isolated DC-DC Supply:** This converter generates 5.0V isolated from the primary 3.3V DC supply on board for the DCAN interface.

## 4 Configuration/Setup

This section discusses the board configuration.

### 4.1 Boot Configuration

Various boot configurations can be set using the pull-up/pull-down resistor combinations provided on the SYSBOOT[15..0] pins. Boot configuration pins are latched upon de-assertion of the PORz pin. Refer to the [AM571x Sitara Processors Silicon Revision 2.0 Data Manual \(SPRS957\)](#) for more details. The AM571x IDK EVM is configured by default to 0x8106 to enable UBOOT/Linux boot from the SDCARD. The secondary boot device selected by this boot mode is QSPI1.

### 4.2 I2C Address Assignments

The AM571x IDK EVM contains multiple I2C buses connected to a master port on the processor. Each bus contains one or more I2C slave devices that must have unique addresses to prevent contention. [Table 1](#) and [Table 2](#) list the addresses of the I2C slave devices attached to buses I2C1 and I2C2, respectively.

**Table 1. I2C1/IND\_I2C**

I2C Slave Device	Address(es)
TPS590377 PMIC, U3	0x58, 0x59, 0x5A, 0x5B, 0x12
Camera Header, J9	Undefined
CDCE913 Ethernet Clock Generator A, U23	0x65
TPIC2810 Industrial Output Driver, U89	0x60
LCD Panel Driver TC358778, U73	0x0E
Touchscreen FPC Connector, J17	—
ID Memory SEEPROM, U33	0x50
PCIe Card Connector, J52	Undefined
Expansion Connector, J21	Undefined

**Table 2. I2C2/AM571X\_HDMI\_DDC**

I2C Slave Device	Address(es)
HDMI Bridge, U46	—
CDCE913 Ethernet Clock Generator B, U25	0x65

**NOTE:** SCL/SDA names are swapped between the HDMI DDC port and I2C2 port on AM57xx devices – I2C2 schematic connections to U25 must be reversed.

### 4.3 SEEPROM Header

Each of the AM571x IDK EVMs has a unique serial number. This serial number is printed on a sticker attached to the IDK and it is programmed into a SEEPROM memory device connected to the AM5718 processor over the I2C bus. The SEEPROM also contains board details such as board type, version, configuration, and so on. This information is stored in a structure at the beginning of the SEEPROM in a known format that can be read by the application software. These values are all stored with the first character or MSB stored at the lowest addressable location in each field. [Table 3](#) lists all of the fields in this header definition.

**Table 3. SEEPROM Header**

Name	Size (bytes)	Contents
Header	4	MSB 0xEE3355AA LSB
Board Name	8	Name for board in ASCII "AM571IDK" = AM571x Industrial Development Kit EVM.
Version	4	Hardware version code for board in ASCII "1.3A" = revision 01.3A
Serial Number	12	Serial number of the board. This is a 12-character string that is: WWYY4P52nnnn, where WW = 2 digit week of the year of production, YY = 2 digit year of production, nnnn = incrementing board number.
Configuration Option	32	Codes to show the configuration setup on this board. Reserved.
Ethernet MAC Address #0	6	Ethernet MAC Address #0 assigned to the AM571x IDK EVM. This is the first of a block of addresses available for the Industrial Interface ports.
Ethernet MAC Address #5	6	Ethernet MAC Address #5 assigned to the AM571x IDK EVM. This is the last of a block of 6 contiguous addresses available for the industrial interface ports.
Available	32696	Available user space for other non-volatile codes/data.

### 4.4 JTAG Emulation

The AM571x IDK EVM supports embedded XDS100V2 USB Emulation through the USB Micro-AB connector, J19, and the FTDI controller. This controller is powered from the USB VBUS, thus the emulator connection to the PC is retained whenever the IDK is power cycled.

The AM571x IDK EVM also has a 20-pin CTI JTAG connector, J18, to support standard external emulators that may operate more efficiently than the embedded XDS100V2 emulation. The AM571x IDK EVM does not support emulation trace capability.



## 5 Memories Supported

The AM571x IDK EVM supports on-board memories including DDR3L SDRAM, SPI NOR Flash, eMMC NAND Flash, and I2C EEPROM. It also supports a MicroSD card socket that can add memory storage.

### 5.1 DDR3L SDRAM

The AM571x IDK EVM design supports a single bank of DDR3L SDRAM that is attached to the EMIF on the AM5718 processor. The EMIF can support up to 2GB of DDR3L SDRAM memory at speeds up to 1333MT/s. The SDRAM implemented on the EMIF on the IDK EVM contains two 4Gbit (256M × 16) SDRAMs for a total of 1GB of DDR3L SDRAM memory. The part number for the DDR3L SDRAM memory used is MT41K256M16HA-125 that contains timing for 1600MT/s operation. The package used is the 96-ball TFBGA package. See the [AM571x Sitara Processors Technical Reference Manual \(SPRUHZ7\)](#) for memory locations for this memory.

The EMIF also contains an SDRAM attached to the ECC byte lane. Use of ECC on the DDR3L interface is currently highly constrained by limitations in the AM571x devices. Refer to the [AM571x Sitara Processors Silicon Errata \(SPRZ436\)](#) for more details.

### 5.2 SPI NOR Flash

The AM571x IDK EVM supports a 256Mbit (32MB) SPI Flash Memory from Spansion (S25FL256S) in a 16-pin SOIC package. It is connected to the QSPI port of the AM5718 device.

### 5.3 Board Identity Memory

Each of the AM571x IDK EVM boards contains a 256Kb (32KB) Serial EEPROM that contains board-specific data. This data allows the application software to automatically detect the type of board that it is running on and also to determine its version and, potentially, optional features. Other hardware specific data can be stored on this memory device as well. The part number of the memory device is CAT24C256WI-G in a SOIC-8 package. Refer to [Section 4](#) for details on the data stored in this memory.

### 5.4 SD/MMC

The SD/MMC connector on the AM571x IDK EVM is a MicroSD connector (part number SCHA5B0200). This is a standard SD/MMC card type of connector. It is connected to the MMC1 port of the AM571x processor that is optimized for this use. Refer to the [AM571x Sitara Processors Silicon Revision 2.0 Data Manual \(SPRS957\)](#) and the [AM571x Sitara Processors Technical Reference Manual \(SPRUHZ7\)](#) for supported card types and densities.

The SDWP input pin to the MMC1 port is connected to a 2-pin header, J44. The default state has the pin pulled high. Shorting the header pulls the pin low. The polarity of this input is programmable; thus, the hardware does not define whether a high or low level indicates Write Protect is active or not.

The transient protection implemented at the SDCARD connector is the TPD6E001.

### 5.5 eMMC NAND Flash

The MMC2 port on the AM571x processor supports eMMC memory devices, since it has 8 data lines. The eMMC footprint is compliant with the JEDEC/MMC standard. Boards have been assembled and successfully tested with the Kingston EMMC16G-S100 and the Micron MTFC16GAKAECN-2M WT. These are 16GB eMMC NAND Flash memories that are standard version 5.0 compliant.

## 6 Ethernet Ports

The AM571x IDK EVM supports up to four 100Mb Industrial Ethernet ports attached to the PRU-ICSS subsystems and up to two Gigabit (1000Mb) Ethernet ports connected to the integrated Ethernet switch. The final number of available ports depends on the configuration selection:

- 4-port Ethernet mode: provides two 100Mb Industrial Ethernet ports and two Gigabit (1000Mb) Ethernet ports.
- 6-port Ethernet mode: provides four 100Mb Industrial Ethernet ports and two Gigabit (1000Mb) Ethernet ports.

Selection between these Ethernet modes is controlled by header J51. Installing a shunt on header J51 that shorts these pins together enables 4-port Ethernet mode. Removing the shunt from these pins enables 6-port Ethernet mode. The LCD output is only available when 4-port Ethernet mode is selected.

### 6.1 100Mb Ethernet Ports on PRU-ICSS

The AM571x IDK EVM contains four 100Mb Ethernet ports that each connect to an industrial PHY/Transceiver (TLK105L), which then connect to RJ45 metallic connectors, with integrated magnetics, J3, J5, J6, and J8. These Ethernet transceivers are connected to the PRU1 and PRU2 subsystems within the AM5718 processor. [Table 4](#) shows the mapping from the PRU-ICSS ports to the RJ45 connectors.

The COL functionality on the MII interface is not used. The TLK105L contains a feature that must be enabled via software that provides rapid link status on the COL pin. Therefore, this pin is connected to the RXLINK input to the PRU-ICSS ports for this purpose.

Test headers J4 and J7 are available to support real-time code development. The signals contained are available for simplified probing.

The reset for the transceivers is driven low coincident with the PORz reset to the AM5718 processor. The reset for each transceiver can also be driven low individually by separate GPIO signals from the processor. A 25-MHz clock is provided into each of the TLK105L industrial transceivers.

**Table 4. PRU-ICSS Ethernet Ports**

Connector	PRU-ICSS Port	MDIO Address	Notes
J3	PRU1ETH0	0x0 on PRU1	Not available in all configuration selections. MII pins multiplexed with VOUT1 to the LCD bridge.
J5	PRU1ETH1	0x1 on PRU1	Not available in all configuration selections. MII pins multiplexed with VOUT1 to the LCD bridge.
J6	PRU2ETH0	0x0 on PRU2	
J8	PRU2ETH1	0x1 on PRU2	

### 6.2 Gigabit (1000Mb) Ethernet Ports

The AM571x IDK EVM contains two Gigabit (1000Mb) Ethernet PHY/Transceivers (KSZ9031RN) interfaced to connectors J10 (RGMII0) and J12 (RGMII1). These Gigabit Ethernet transceivers are connected over RGMII0 and RGMII1 to the Ethernet switch block within the AM5718 processor.

The resets for the transceivers are driven low coincident with the PORz reset to the AM5718 processor. A 25-MHz clock is provided into each of the KSZ9031RN Gigabit transceivers.

## 7 USB Ports

The AM571x IDK EVM contains three USB ports. Two ports are attached to the USB peripherals USB1 and USB2 on the AM5718 processor. The third port provides both XDS100V2 JTAG emulation and UART Console over the USB. This port simplifies the development environment for programmers using computers that support this capability such as Windows®-based computers.

### 7.1 Processor USB Port 1

Processor port USB1 is implemented only as a USB host (master). It supports only the USB2.1 (high speed and lower) data rates. The connector on the board, J23, is a USB2.1 Standard A-type connector. The ESD devices implemented on this USB port are the TPD2EUSB30 for the DP and DM lines.

Since processor USB port 1 supports host mode, it has the capability to drive 5.0V power on the VBUS pin. The TPS2065D load switch is controlled by the USB1\_DRVVBUS pin for this purpose.

### 7.2 Processor USB Port 2

Processor port USB2 is implemented as either USB host (master) or USB device (slave). It supports only the USB2.1 (high speed and lower) data rates. The connector on the board, J45, is a USB2.1 Micro-AB connector. The ESD device implemented on this USB port is the TPD4S012.

Since processor USB port 2 supports host mode, it has the capability to drive 5.0V power on the VBUS pin. The TPS2051 load switch is controlled by the USB2\_DRVVBUS pin for this purpose.

The USB2.1 standard defines different ranges of capacitance for the VBUS pin depending on whether it is host or device. Since this port can do either, the AM571x IDK EVM provides the capability to meet either requirement. The VBUS pin from the connector contains a 4.7µF capacitor that is appropriate for device mode operation. When operating in host mode, 2-pin header J50 can be shorted to add 150µF of additional capacitance to the VBUS pin. The shunt for this header is shown on the schematic as M2. It is not installed on units when shipped as we expect this port to primarily be used in device mode.

### 7.3 FTDI USB Port

The FTDI bridge device provides both XDS100V2 JTAG emulation and UART Console over the USB. The connector on the board, J19, is a USB Micro-AB connector but it only operates in device (slave) mode with the FTDI bridge device. The ESD device implemented on this USB port to the FTDI bridge is the TPD2E001. Refer to [Section 4.4](#) for more details on this functionality.

The FTDI USB device is implemented so that it operates from the VBUS power provided over the USB cable. This allows the FTDI device to remain fully operational during an AM571x IDK EVM power cycle. This in turn allows the console port to the PC to remain active to allow logging from the serial port immediately as the AM5718 device boots. It also provides faster re-connect for the XDS100V2 JTAG emulator.

## 8 PCIe

The AM571x processors contain two lanes of peripheral component interconnect express (PCIe). These can be implemented either as a single, dual-lane port or as two single-lane ports. The PCIe peripheral can be configured to either be a Root Complex (master) or an Endpoint (slave). The AM571x IDK EVM implements a single dual-lane port as a Root Complex. The AM571x IDK EVM terminates this dual-lane port in a x4 PCIe female connector that accepts standard PCIe Endpoint cards.

A 2-pin header, J49, is available to provide the 3V3\_AUX power separate from the primary 3V3 supply. This is needed for some cards and PCIe driver configurations. The shunt, shown on the schematic as M1, should be installed when the board is received since 3V3\_AUX will be needed in most cases. Please refer to the documentation for the card being installed to determine whether this shunt should remain installed.

The PERSTn reset for the connector is driven low coincident with the PORz reset to the AM5718 processor. The PERSTn reset to the connector can also be driven low by a GPIO signal from the processor. This reset can also be blocked by a GPIO signal from the processor.

A 100-MHz clock is provided separately to both the PCIe peripheral and to the PCIe connector. These clocks are buffered outputs from the same low-jitter source.

The AM571x IDK EVM is compatible with standard PCIe plug-in cards but not fully compliant with the PCIe CEM standard. It does not support hot-plug and also does not provide sufficient current on the 3.3V and 12V pins for all plug-in cards. It is currently limited to about 0.5A on each supply.

## 9 Video Input and Output

The AM571x processor family supports industrial video capture and display in addition to its industrial communications capabilities. The AM571x IDK EVM contains a camera header for attaching a module containing a camera sensor as well as support for an LCD panel display and HDMI video output.

### 9.1 Camera

The AM571x IDK EVM supports a camera daughterboard that attaches to a 24-pin (2 × 24) header, J9. The custom-designed camera module from TI, previously designed for the AM437x IDK EVM, mounts on this header. This header is connected to VIN4B on the AM5718 processor.

The 2Mp camera board contains the Darling Industrial camera module (part number DC-OVBD420AH). The camera module contains the OmniVision OV2659 camera sensor. Please contact OmniVision for the latest documentation on this sensor.

### 9.2 HDMI

The AM571x IDK EVM supports an HDMI connector driven from the HDMI port on the AM5718 processor. The connector on the board, J24, is an HDMI Standard A-type connector. It is implemented with the TPD12S016 HDMI companion chip. This companion chip provides I2C level shifting buffers, 5V load switch, and multi-channel ESD protection.

### 9.3 LCD

The AM571x IDK EVM is available with an optional LCD panel that also has a capacitive touch overlay. The video output driven for the LCD panel from the AM5718 processor is on VOUT1. A MIPI bridge device from Toshiba, TC358778, is implemented to convert from the 24-bit RGB presented on the VOUT1 pins to serial MIPI RGB streams. The LCD panel is shipped with FPC cables that plug into J16 for the MIPI video and into J17 for the touchscreen controller. Both the MIPI bridge device and the touchscreen controller are connected to the IND\_I2C chain from processor port I2C1.

The LCD output functionality is available only when the AM571x IDK EVM is configured for the 4-port Ethernet mode. When the AM571x IDK EVM is configured for the 6-port Ethernet mode, the LCD output is no longer available since the same pins on the AM5718 device are used for both functions.

---

**NOTE:** Installing a shunt on header J51 that shorts these pins together enables 4-port Ethernet mode. Removing the shunt from these pins enables 6-port Ethernet mode.

---

## 10 Industrial Interfaces

There are additional industrial interfaces implemented on the AM571x IDK EVM to help showcase the flexibility of the AM57xx line of processors.

### 10.1 Profibus

A compliant Profibus interface is implemented using the ISO1176T isolation device, transformer and TPS76650 LDO regulator. This circuit terminates to a DB9F connector, J14. This Profibus interface is driven by UART0 from the first PRU-ICSS block, PR1.

### 10.2 DCAN

The AM5718 processor contains two Controller Area Network (DCAN) interfaces. DCAN port 1 is routed out to the ISO1050 isolation device and then to the 5-pin header, J38. The R1Z-3.305HP isolated DC-DC supply provides an isolated 3.3V supply for this DCAN interface.

### 10.3 RS-485

The AM571x IDK EVM contains an RS-485 interface on 3-pin header, J39. This is enabled by the SN65HVD78D Half-Duplex RS-485 Transceiver. The transceiver controls the half-duplex communication and also provides high-voltage transient protection. This interface is attached to the SOC-level UART2 port for RX and TX data. The UART TX data line is monitored by PR2\_PRU1, so that PRU code can monitor TX activity and then control the DE and REN lines into the transceiver.

## 11 User Interfaces

The AM571x IDK EVM contains GPIO expanders that provide industrial inputs and outputs to support development. The outputs contain LEDs for immediate feedback. There are also tri-color LEDs connected to GPIOs to support development.

### 11.1 Tri-color LEDs

There are 6 tri-color LEDs connected to SOC GPIO pins that can be used to support development. There is a separate GPIO assigned for each color: red, green, and yellow. Color mixing by turning on more than one GPIO at a time will not provide the expected result since the separate colors have different intensities due to the physics of the LED composition. Tri-color LEDs D16, D17, D18, and D19 are designated Industrial LEDs. Tri-color LEDs D22 and D23 are designated Status LEDs.

### 11.2 Industrial Inputs

For industrial 24v digital inputs, an SN65HVS882 Digital-input Serializer for industrial digital inputs is used to accept standard signals from the 30-pin (15 × 2) I/O Expansion Header, J37. The input values are clocked into the SPI3 port of the AM5718 processor.

### 11.3 Industrial Outputs / LEDs

I2C to 8-bit LED driver TPIC2810 is used to drive the eight Industrial output LEDs D5 to D12. The I2C interface is connected to the I2C1 port of the AM5718 processor along with the other devices on the IND\_I2C bus. The eight LED driver outputs are also driven to the I/O Expansion Header, J37. All the LEDs are green in color.

## 12 Pin Use Description

### 12.1 Functional Interface Mapping

Some signals of the AM5718 device are connected to a fixed device on the EVM where it cannot be changed. However, some of the signals of the AM5718 device are connected to devices on the AM571x IDK EVM based on the profile setting.

### 12.2 GPIO Pin Mapping

The developer can enable GPIO pins individually, as needed, as output, input, or both. Most of the LVCMOS pins not currently allocated for other peripheral use can be defined as GPIO pins. [Table 5](#) is a compliment to the schematic and the recommended settings in the pinmux tool. Each of the defined GPIO pins are listed along with the associated pin name and ball number and mode. The last column lists the available physical pull-up (PU) or pull-down (PD) resistor attached or the recommended internal pull-up or pull-down resistor defined in the pinmux file provided for the AM571x IDK EVM.

**Table 5. GPIO Pin Mapping**

Pin Name	GPIO #	Pin #	IDK Net Name / Function	Direction	Pull Up / Pull Down
MCASP2_AXR4	GPIO1_4	D15	AM57XX_INDEETHER_LED0_YEL	Output	EXT PD
MCASP2_AXR7	GPIO1_5	A17	AM57XX_INDEETHER_LED1_YEL	Output	EXT PD
GPMC_CS0	GPIO2_19	T1	AM57XX_STATUSLED1_YEL	Output	EXT PD
GPMC_CS3	GPIO2_21	P1	AM57XX_STATUSLED1_GRN	Output	EXT PD
GPMC_CLK	GPIO2_22	P7	6PORT_LCDn	Input	EXT PU
GPMC_ADV_N_ALE	GPIO2_23	N1	GPIO_IND_LDn	Output	EXT PU
GPMC_OEN_REN	GPIO2_24	M5	GPIO_VPP_PWR_EN	Output	EXT PD
GPMC_WEN	GPIO2_25	M3	AM57XX_STATUSLED0_RED	Output	EXT PD
GPMC_BEN0	GPIO2_26	N6	AM57XX_STATUSLED0_GRN	Output	EXT PD
GPMC_BEN1	GPIO2_27	M4	AM57XX_STATUSLED0_YEL	Output	EXT PD
GPMC_WAIT0	GPIO2_28	N2	AM57XX_STATUSLED1_RED	Output	EXT PD
MCASP2_AXR6	GPIO2_29	B17	AM57XX_INDEETHER_LED1_GRN	Output	EXT PD
VIN2A_CLK0	GPIO3_28	E1	PRU1ETH0_INTn	Input	INT PU
VIN2A_DE0	GPIO3_29	G2	PRU1ETH1_INTn	Input	INT PU
VIN2A_FLD0	GPIO3_30	H7	PRU2ETH0_INTn	Input	INT PU
VIN2A_HSYNC0	GPIO3_31	G1	PRU2ETH1_INTn	Input	INT PU
VIN2A_VSYNC0	GPIO4_0	G6	AM57XX_INDEETHER_LED0_GRN	Output	EXT PD
VOUT1_FLD	GPIO4_21	B11	eMMC_RSTn	Output	EXT PU
MCASP1_ACLKR	GPIO5_0	B14	GB_ETH0_INTn	Input	EXT PU
MCASP1_FSR	GPIO5_1	J14	GB_ETH1_INTn	Input	EXT PU
MCASP1_AXR2	GPIO5_4	G13	PCIE_CRDPRESENT	Input	EXT PU
MCASP1_AXR3	GPIO5_5	J11	PCIE_WAKEn	Input	EXT PU
MCASP1_AXR4	GPIO5_6	E12	TOUCH_INT	Input	INT PU
MCASP1_AXR5	GPIO5_7	F13	GPIO_AM571X_USB2_ID	I/O	EXT PU
MCASP1_AXR6	GPIO5_8	C12	GPIO_PRU1_ETH_RESETn	Output	EXT PU
MCASP1_AXR7	GPIO5_9	D12	GPIO_PRU2_ETH_RESETn	Output	EXT PU
UART3_RXD	GPIO5_18	V2	GPIO_PCIE_SWRSTn	Output	INT PU
UART3_TXD	GPIO5_19	Y1	GPIO_PCIE_RSTDRVn	Output	INT PU
MCASP2_AXR5	GPIO6_7	B16	AM57XX_INDEETHER_LED1_RED	Output	EXT PD
GPIO6_14	GPIO6_14	E21	CAM_ENn	Output	PU/PD on camera board
GPIO6_15	GPIO6_15	F20	GPIO_TOUCH_RESETn	Output	EXT PU
GPIO6_16	GPIO6_16	F21	PMIC_INT	Input	INT PU
XREF_CLK2	GPIO6_19	B26	AM57XX_INDEETHER_LED0_RED	Output	EXT PD
SPI1_SCLK	GPIO7_7	A25	AM57XX_AUDIOBUZZER_TRIG	Output	EXT PD
SPI1_D1	GPIO7_8	F16	AM57XX_INDEETHER_LED2_GRN	Output	EXT PD
SPI1_D0	GPIO7_9	B25	AM57XX_INDEETHER_LED2_RED	Output	EXT PD
SPI1_CS0	GPIO7_10	A24	AM57XX_INDEETHER_LED2_YEL	Output	EXT PD
SPI1_CS1	GPIO7_11	A22	AM57XX_INDEETHER_LED3_RED	Output	EXT PD
UART1_RXD	GPIO7_22	B27	GPIO_USB2_VBUS_DET	Input	EXT PU
UART1_CTSN	GPIO7_24	E25	AM57XX_INDEETHER_LED3_YEL	Output	EXT PD
UART1_RTSN	GPIO7_25	C27	AM57XX_INDEETHER_LED3_GRN	Output	EXT PD

## 13 Board Connectors

This section shows the pin-outs for the connectors on the AM571x IDK EVM.

**Table 6. Expansion Connector - J21**

Pin	Signal Name	Secondary Signal Name
1	V3_3D	—
2	V5_0D	—
3	AM571X_PRU1ETH1_COL	PR1_EDC_LATCH0
4	GPMC_CS0	ETH_MDIO_CLK
5	PR1_MII1_CRS	—
6	GPMC_CS3	ETH_MDIO_DATA
7	PR1_MII1_MR1_CLK	—
8	GPMC_ADV_N_ALE	UART1_TXD
9	PR1_MII1_RXDV	—
10	GPMC_OEN_REN	UART1_TXD
11	PR1_MII1_RXD3	—
12	GPMC_WEN	PR1_MII0_RXER
13	PR1_MII1_RXD2	PR2_EDC_LATCH0
14	GPMC_BEN0	PR1_MII0_RXLINK
15	PR1_MII1_RXD1	PR2_EDC_LATCH1
16	GPMC_BEN1	PR1_MII0_COL
17	PR1_MII1_RXD0	PR2_EDC_SYNC0
18	AM57XX_PRU2ETH1_CRS	AM571X_RGMII0_TXCLK
19	PR1_MII_MT0_CLK	PR2_EDC_SYNC1
20	AM57XX_PRU2ETH1_COL	AM571X_RGMII0_TXCTL
21	PR1_MII0_TXD3	—
22	DGND	—
23	PR1_MII0_TXD2	—
24	SPI2_SCLK	AM571X_RGMII0_TD0
25	SYS_RESETh	—
26	SPI2_DIN	AM571X_RGMII0_TD1
27	IND_I2C_SCL	—
28	SPI2_DOUT	AM571X_RGMII0_TD2
29	IND_I2C_SDA	—
30	SPI2_CS0n	AM571X_RGMII0_TD3
31	AM57XX_GPMC_AD0	PR1_MII0_TXEN
32	AM57XX_GPMC_AD8	AM571X_VIN2A_CLK0
33	AM57XX_GPMC_AD1	PR1_MII0_TXD1
34	AM57XX_GPMC_AD9	AM571X_VIN2A_DE0
35	AM57XX_GPMC_AD2	PR1_MII0_TXD0
36	AM57XX_GPMC_AD10	AM571X_VIN2A_FLD0
37	AM57XX_GPMC_AD3	PR1_MII_MR0_CLK
38	AM57XX_GPMC_AD11	AM571X_VIN2A_HSYNC0
39	DGND	—
40	DGND	—
41	CAN1_RXDF	—
42	AM57XX_GPMC_AD12	AM571X_VIN2A_VSYNC0
43	CAN1_TXDF	—
44	AM57XX_GPMC_AD13	AM57XX_PR1_UART0_RXD



**Table 6. Expansion Connector - J21 (continued)**

Pin	Signal Name	Secondary Signal Name
45	PR1_MII0_RXDV	—
46	AM57XX_GPMC_AD14	AM57XX_PR1_UART0_TXD
47	PR1_MII0_RXD3	—
48	AM57XX_GPMC_AD15	AM571X_VIN2A_D2
49	AM57XX_PR2_PROFI_TXEN	—
50	HDQ	AM571X_RGMII0_RXCLK
51	AM57XX_GPMC_AD4	PR1_MII0_RXD2
52	GPMC_WAIT0	—
53	AM57XX_GPMC_AD5	PR1_MII0_RXD1
54	AM571X_PRU1ETH1_TXD1	AM57XX_PRU2ETH0_CRS
55	AM57XX_GPMC_AD6	PR1_MII0_RXD0
56	AM571X_PRU1ETH1_TXD0	AM57XX_PRU2ETH0_COL
57	AM57XX_GPMC_AD7	—
58	GPMC_CLK	—
59	DGND	—
60	DGND	—

**Table 7. I/O Expansion Header Connector - J37**

Pin	Signal Name
1	INDUS_INPUT0
2	V12_0D
3	INDUS_INPUT1
4	V12_0D
5	INDUS_INPUT2
6	V12_0D
7	INDUS_INPUT3
8	V12_0D
9	INDUS_INPUT4
10	V12_0D
11	INDUS_INPUT5
12	V12_0D
13	INDUS_INPUT6
14	V12_0D
15	INDUS_INPUT7
16	V12_0D
17	DGND
18	No Connect
19	DRAIN0
20	DRAIN1
21	DRAIN2
22	DRAIN3
23	DRAIN4
24	DRAIN5
25	DRAIN6
26	DRAIN7
27	V5_0D
28	V5_0D
29	DGND
30	DGND

**Table 8. MicroSD Connector - J15**

Pin	Pin Name	Signal Name
1	DAT2	MMC_D2
2	DAT3	MMC_D3
3	CMD	MMC_CMD
4	VDD	V3_3D
5	CLOCK	MMC_CLK
6	DGND	VSS
7	DAT0	MMC_D0
8	DAT1	MMC_D1
9	GND	DGND
10	CD	MMC1_SDCD
11	GND3	DGND
12	GND4	DGND
13	GND5	DGND
14	GND6	DGND
15	GND7	DGND
16	GND8	DGND

**Table 9. Power Jack Connector - J1**

Pin	Signal Name
1	VPWRIN_JCK
2	DGND
3	DGND

**Table 10. Power Terminal Block Connector - J2**

Pin	Signal Name
1	VPWRIN_JCK
2	DGND

**Table 11. PRU1ETH0 RJ45 Connector - J3**

Pin	Pin Name	Signal Name
1	RD+	PRU1ETHER0_RDP
2	RD-	PRU1ETHER0_RDN
3	RCT	V3_3D
4	TCT	V3_3D
5	TD+	PRU1ETHER0_TDP
6	TD-	PRU1ETHER0_TDN
7	N/C	No connect
8	AC GND	DGND
9	YEL LED Anode	V3_3D
10	YEL LED Cathode	RXLINK
11	GRN LED Anode	V3_3D
12	GRN LED Cathode	PRU1ETH0_LINKLED
SHLD1	Shield	AGNDFRAME_PRU1ETH0
SHLD2	Shield	AGNDFRAME_PRU1ETH0

**Table 12. PRU1ETH1 RJ45 Connector - J5**

Pin	Pin Name	Signal Name
1	RD+	PRU1ETHER1_RDP
2	RD-	PRU1ETHER1_RDN
3	RCT	V3_3D
4	TCT	V3_3D
5	TD+	PRU1ETHER1_TDP
6	TD-	PRU1ETHER1_TDN
7	N/C	No connect
8	AC GND	DGND
9	YEL LED Anode	V3_3D
10	YEL LED Cathode	RXLINK
11	GRN LED Anode	V3_3D
12	GRN LED Cathode	PRU1ETH1_LINKLED
SHLD1	Shield	AGNDFRAME_PRU1ETH1
SHLD2	Shield	AGNDFRAME_PRU1ETH1

**Table 13. PRU2ETH0 RJ45 Connector - J6**

Pin	Pin Name	Signal Name
1	RD+	PRU2ETHER0_RDP
2	RD-	PRU2ETHER0_RDN
3	RCT	V3_3D
4	TCT	V3_3D
5	TD+	PRU2ETHER0_TDP
6	TD-	PRU2ETHER0_TDN
7	N/C	No connect
8	AC GND	DGND
9	YEL LED Anode	V3_3D
10	YEL LED Cathode	RXLINK
11	GRN LED Anode	V3_3D
12	GRN LED Cathode	PRU2ETH0_LINKLED
SHLD1	Shield	AGNDFRAME_PRU2ETH0
SHLD2	Shield	AGNDFRAME_PRU2ETH0

**Table 14. PRU2ETH1 RJ45 Connector - J8**

Pin	Pin Name	Signal Name
1	RD+	PRU2ETHER1_RDP
2	RD-	PRU2ETHER1_RDN
3	RCT	V3_3D
4	TCT	V3_3D
5	TD+	PRU2ETHER1_TDP
6	TD-	PRU2ETHER1_TDN
7	N/C	No connect
8	AC GND	DGND
9	YEL LED Anode	V3_3D
10	YEL LED Cathode	RXLINK
11	GRN LED Anode	V3_3D
12	GRN LED Cathode	PRU2ETH1_LINKLED
SHLD1	Shield	AGNDFRAME_PRU2ETH1
SHLD2	Shield	AGNDFRAME_PRU2ETH1

**Table 15. PRU2ETH0 Test Header Connector - J7**

Pin	Signal Name	Net Name
1	RT2_MII0_TXEN	AM57XX_PRU2ETH0_TXEN
2	RT2_MII0_RXDV	AM57XX_PRU2ETH0_RXDV
3	RT2_MII0_EDIO_DATA0	AM571X_VIN2A_VSYNC0
4	RT2_MII0_EDIO_DATA1	AM57XX_PR1_UART0_TXD
5	DGND	—

**Table 16. PRU2ETH1 Test Header Connector - J4**

Pin	Signal Name	Net Name
1	RT2_MII1_TXEN	PRU2ETH1_TXEN
2	RT2_MII1_RXDV	PRU2ETH1_RXDV
3	RT2_MII1_EDIO_DATA0	AM57XX_VIN2A_HSYNC0
4	RT2_MII1_EDIO_DATA1	AM57XX_VIN2A_DE0
5	DGND	DGND

**Table 17. Camera Connector - J9**

Pin	Pin Name	Signal Name
1	Power	VMAIN
2	CAM1_VSYNC	DGND
3	CAM1_DATA0	AM571X_VIN4B_DATA0
4	CAM1_HSYNC	—
5	CAM1_DATA1	AM571X_VIN4B_DATA1
6	CAM1_DATA6	AM571X_VIN4B_DATA6
7	CAM1_DATA2	AM571X_VIN4B_DATA2
8	CAM1_DATA7	AM571X_VIN4B_DATA7
9	CAM1_PCLK	AM571X_VIN4B_PCLK
10	No Connect	—
11	GND	DGND
12	GND	DGND
13	CAM1_DATA3	AM571X_VIN4B_DATA3
14	No Connect	—
15	CAM1_DATA4	AM571X_VIN4B_DATA4
16	CAM1_GIO0	PU to V3_3D
17	CAM1_WEN	AM571X_VIN4B_DATA5
18	CAM1_GIO1	CAM_ENn
19	CAM1_DATA5	AM571X_VIN4B_DE
20	CAM1_FIELD	AM571X_VIN4B_FLD
21	GND	DGND
22	I2C_SCL	IND_I2C_SCL
23	Clock	20.000 MHz Osc Out
24	I2C_SDA	IND_I2C_SDA

**Table 18. GigE RJ45 Connector - J10**

Pin	Pin Name	Signal Name
1	CH-GND	DGND
2	VCC	No connect
3	MX3+	ETHER0_D3P
4	MX3-	ETHER0_D3N
5	MX2+	ETHER0_D2P
6	MX2-	ETHER0_D2N
7	MX1+	ETHER0_D1P
8	MX1-	ETHER0_D1N
9	MX0+	ETHER0_D0P
10	MX0-	ETHER0_D0N
11	RT GRN Anode	PU to PHY0_LED_ACTn
12	RT YEL Anode	DGND
13	LEFT GRN Anode	DGND
14	LEFT YEL Anode	PU to PHY0_LED_LINKn
SHLD1	Shield	AGND_GBETH0
SHLD2	Shield	AGND_GBETH0

**Table 19. GigE RJ45 Connector - J12**

Pin	Pin Name	Signal Name
1	CH-GND	DGND
2	VCC	No connect
3	MX3+	ETHER1_D3P
4	MX3-	ETHER1_D3N
5	MX2+	ETHER1_D2P
6	MX2-	ETHER1_D2N
7	MX1+	ETHER1_D1P
8	MX1-	ETHER1_D1N
9	MX0+	ETHER1_D0P
10	MX0-	ETHER1_D0N
11	RT GRN Anode	PU to PHY1_LED_ACTn
12	RT YEL Anode	DGND
13	LEFT GRN Anode	DGND
14	LEFT YEL Anode	PU to PHY1_LED_LINKn
SHLD1	Shield	AGND_GBETH1
SHLD2	Shield	AGND_GBETH1

**Table 20. LCD Module FFC Connector - J16**

Pin	Pin Name	Signal Name
1	—	No Connect
2	—	No Connect
3	VCC	V3_7LCD
4	VCC	V3_7LCD
5	VCC	V3_7LCD
6	—	No Connect
7	GND	DGND
8	MIPI_LN3_N	LCD_MIPI3N
9	MIPI_LN3_P	LCD_MIPI3P
10	GND	DGND
11	MIPI_LN2_N	LCD_MIPI2N
12	MIPI_LN2_P	LCD_MIPI2P
13	GND	DGND
14	MIPI_LN1_N	LCD_MIPI1N
15	MIPI_LN1_P	LCD_MIPI1P
16	GND	DGND
17	MIPI_LN0_N	LCD_MIPI0N
18	MIPI_LN0_P	LCD_MIPI0P
19	GND	DGND
20	MIPI_CLK_N	LCD_CLKN
21	MIPI_CLK_P	LCD_CLKP
22	GND	DGND
23	LED_CATHODE	VLED-
24	LED_CATHODE	VLED-
25	LED_CATHODE	VLED-
26	LED_CATHODE	VLED-
27	LED_CATHODE	VLED-
28	LED_CATHODE	VLED-
29	LED Anode Supply	VLED+
30	LED Anode Supply	VLED+
31	—	No Connect
32	—	No Connect

**Table 21. Touchscreen Controller FFC Connector - J17**

Pin	Pin Name	Signal Name
1	SDA	IND_I2C_SDA
2	SCL	IND_I2C_SCL
3	TSC_RESETh	GPIO_TOUCH_RESETh
4	TSC_INT	TOUCH_INT
5	V+	V3_3D
6	GND	DGND



**Table 22. HDMI Standard A-type Connector - J24**

Pin	Pin Name	Signal Name
1	DAT2+	HDMI_TX2+
2	DAT2_S	DGND
3	DAT2-	HDMI_TX2-
4	DAT1+	HDMI_TX1+
5	DAT1_S	DGND
6	DAT1-	HDMI_TX1-
7	DAT0+	HDMI_TX0+
8	DAT0_S	DGND
9	DAT0-	HDMI_TX0-
10	CLK+	HDMI_CLK+
11	CLK_S	DGND
12	CLK-	HDMI_CLK-
13	CEC	HDMICONN_CEC
14	N/C	No Connect
15	SCL	HDMICONN_I2CSCL
16	SDA	HDMICONN_I2CSDA
17	DDC/CEC GND	DGND
18	+5V	V5_0HDMICONN
19	HPLG	HDMICONN_HPLG
MTG1	Shield	DGND
MTG2	Shield	DGND
MTG3	Shield	DGND
MTG4	Shield	DGND

**Table 23. CTI-20 JTAG Connector - J18**

Pin	Pin Name	Signal Name
1	TMS	JTAG_TMS
2	TRSTn	JTAG_TRSTn
3	TDI	JTAG_TDI
4	TDIS	PD to GND
5	TVDD	PU to V3_3D
6	PU to V3_3D	—
7	TDO	JTAG_TDO
8	DGND	—
9	TCKRTN	RTCK
10	DGND	EMU_DET
11	TCK	JTAG_TCK
12	DGND	—
13	EMU0	JTAG_EMU0
14	EMU1	JTAG_EMU1
15	SRST	EMU_RSTn
16	DGND	—
17	EMU2	No Connect
18	EMU3	No Connect
19	EMU4	No Connect
20	DGND	—

**Table 24. JTAG USB Micro-AB Connector - J19**

Pin	Pin Name	Signal Name
1	VBUS	VUSB_JTAG
2	DM	EMU_USB_DM
3	DP	EMU_USB_DP
4	ID	No Connect
5	GND	DGND
S1	S1	GNDUSBJ
S2	S2	GNDUSBJ
S3	S3	GNDUSBJ
S4	S4	GNDUSBJ

**Table 25. USB Port 1 USB2.1 Standard A-type Connector - J23**

Pin	Pin Name	Signal Name
1	VBUS	VUSB_VBUS1
2	DM	USB1_CONN_DM
3	DP	USB1_CONN_DP
4	GND	DGND
S1	S1	GNDUSB1
S2	S2	GNDUSB1

**Table 26. USB Port 2 USB2.1 Micro-AB Connector - J45**

Pin	Pin Name	Signal Name
1	VBUS	VUSB_VBUS2
2	DM	USB2_CONN_DM
3	DP	USB2_CONN_DP
4	ID	USB2_ID
5	GND	DGND
S1	S1	GNDUSB2
S2	S2	GNDUSB2
S3	S3	GNDUSB2
S4	S4	GNDUSB2

**Table 27. CAN Header Connector - J38**

Pin	Signal Name
1	VCAN1
2	CAN1_H
3	CAN1_L
4	GND_CAN1
5	No Connect

**Table 28. Profibus DB9F Connector - J14**

Pin	Signal Name
1	No Connect
2	No Connect
3	PROFIBUS_A
4	No Connect
5	GND_PROFI
6	VPROFI
7	No Connect
8	PROFIBUS_B
9	No Connect

**Table 29. RS-485 Header Connector - J39**

Pin	Signal Name
1	RS485_A
2	RS485_B
3	DGND

**Table 30. PCIe Connector – J52**

Pin	Pin Name	Signal Name
B1	+12 V	V12_0D
B2	+12 V	V12_0D
B3	+12 V	V12_0D
B4	Ground	DGND
B5	SMCLK	PCIE_SMB_CLK
B6	SMDAT	PCIE_SMB_DATA
B7	Ground	DGND
B8	+3.3V	V3_3D
B9	TRST#	PCIE_TRSTn
B10	+3.3V AUX	V3_3AUX_PCIE
B11	WAKE#	PCIE_WAKEn
B12	CLKREQ#	No Connect
B13	Ground	DGND
B14	HSOp(0)	PCIECONN_PETp0
B15	HSOn(0)	PCIECONN_PETn0
B16	Ground	DGND
B17	PRSNT2#	DGND
B18	Ground	DGND
B19	HSOp(1)	PCIECONN_PETp1
B20	HSOn(1)	PCIECONN_PETn1
B21	Ground	DGND
B22	Ground	DGND
B23	HSOp(2)	No Connect
B24	HSOn(2)	No Connect
B25	Ground	DGND
B26	Ground	DGND
B27	HSOp(3)	No Connect
B28	HSOn(3)	No Connect
B29	Ground	DGND
B30	Reserved	No Connect
B31	PRSNT2#	DGND
B32	Ground	DGND
A1	PRSNT1#	PCIE_CRDPRESENT
A2	+12 V	V12_0D
A3	+12 V	V12_0D
A4	Ground	DGND
A5	TCK	PD to DGND
A6	TDI	PU to V3_3D
A7	TDO	TP20
A8	TMS	PU to V3_3D
A9	+3.3V	V3_3D
A10	+3.3V	V3_3D
A11	PERST#	PCIE_PERSTn
A12	Ground	DGND
A13	REFCLK+	PCIE_REFCLKP
A14	REFCLK-	PCIE_REFCLKN
A15	Ground	DGND
A16	HSIp(0)	PCIE_PERp0

**Table 30. PCIe Connector – J52 (continued)**

Pin	Pin Nmae	Signal Name
A17	HSIn(0)	PCIE_PERn0
A18	Ground	DGND
A19	Reserved	No Connect
A20	Ground	DGND
A21	HSIp(1)	AM57XX_PCIE_PERp1
A22	HSIn(1)	AM57XX_PCIE_PERn1
A23	Ground	DGND
A24	Ground	DGND
A25	HSIp(2)	No Connect
A26	HSIn(2)	No Connect
A27	Ground	DGND
A28	Ground	DGND
A29	HSIp(3)	No Connect
A30	HSIn(3)	No Connect
A31	Ground	DGND
A32	Reserved	No Connect

#### 14 EVM Important Notice

Refer to the [STANDARD TERMS AND CONDITIONS FOR EVALUATION MODULES \(SSZZ027\)](#).

## ***Known Deficiencies in AM571x IDK EVM***

---

---

### ***A.1 Power solution not sufficient for full PCIe plug-in card compliance***

The AM571x IDK EVM supports compatibility to PCIe x4 plug-in cards. It is not compliant with the PCIe Card Electro-Mechanical (CEM) specification. Specifically, the board does not provide the recommended power per the CEM. It provides up to 0.5A of current on the 3.3V/3.3V\_AUX input pins and up to 0.5A on the 12V input pins. Also, the root complex design implemented does not support hot plug-in of cards.

### ***A.2 Early versions of the AM571x IDK EVM not installed with SOC devices rated for the full industrial temperature range***

### ***A.3 AM571x IDK EVM does not support eMMC HS200 mode***

The interface voltage for the eMMC is fixed at 3.3V in all modes of operation. This prevents support of HS200 which requires a transition to 1.8V. The AM571x IDK EVM does support this voltage shift for the SDCARD attached to the MMC1 port. The MMC1 port is on VDDSHV8 supply that is attached to the LDO1 PMIC output that supports this voltage shift for higher speed modes. The eMMC is attached to the VDDSHV11 supply fixed at 3.3V. Board designs that require HS200 support for eMMC would need a solution to transition from 3.3V to 1.8V under software control.

### ***A.4 PCIe PERSTn line not in proper state at start-up***

The board does not contain pull-up or pull-down resistors to allow this line to be pulled-high at start-up. This can cause PCIe link training to fail. Future software releases need to properly control the GPIO output pins to enable this correctly at start-up.

### ***A.5 EDIO connectors J4 and J7 should support real-time debugging for both PRU1 and PRU2***

The pins chosen provide visibility to the PRU2 MII0 and MII1 ports and PRU1 EDIO ports.

### ***A.6 HDQ implementation not correct***

HDQ was intended to be attached to the Expansion Connector. Since this pin is multiplexed with XREF\_CLK3/CLKOUT3 used with the Camera connector, the clock options implemented for the camera connector prevent use of HDQ without addition of a wire. This can be enabled by adding a wire between the open pads of R905 and R300.

### ***A.7 Removing the power plug and inserting it again while the power supply is energized may cause damage***

Removing the power plug and inserting it again while the power supply is energized may damage the AM571x IDK EVM and/or other devices attached to the board such as emulators that provide an alternate path to ground. Removal of AC power from the external power supply is a safer method, if required. It is also recommended that the external power supply have the common return bonded to earth ground. If this is not possible, a separate connection from the board ground to earth ground may need to be provided. Terminal block J53 is provided for this purpose. Test fixtures that repeatedly cycle main power on and off should have the board ground bonded to earth ground at all times during this testing.

### **A.8 Software shutdown of PMIC not operational**

The PMIC is implemented to support PORz generation whenever any reset is initiated within the AM5718 SOC. This is enabled by pulling PMIC BOOT1 to VRTC. This has the side effect of requiring that PMIC GPIO7/POWERHOLD also be pulled high. This results in an “always on” design that cannot be shut-off by software. An external PORz pulse generator like that implemented on the X15 GP EVM would need to be used to enable this feature. Please refer to i862 in the errata document for more information.

### **A.9 CCS System Reset fails**

Warm reset and emulation reset events configured for warm reset cause the Texas Instruments Code Composer Studio™ (CCS) integrated development environment (IDE) to issue an error message. This is due to the reset erratum that requires all resets to trigger a PORz low event. Since this is not expected by CCS when it initiates a warm reset, it loses its context and issues an error. Newer versions of CCS handle this event better but an error message will always be generated.

### **A.10 AM571x IDK EVM design contains 2 clamp circuits that may not be necessary**

During early investigation of power shut-down sequencing, it was determined that clamps were required on every 3.3V supply to the dual-voltage I/O cell supplies (VDDSHVx). This would enforce the requirement shown in Figure 5-3 of the [AM571x Sitara Processors Silicon Revision 2.0 Data Manual \(SPRS957\)](#) that states that the 3.3V supply inputs must never be more than 2.0V above the VDD518V supply, even during ramping up or ramping down. The AM571x IDK EVM design contains these clamp circuits on both V3\_3D, that powers almost all VDDSHVx supplies, and VSDMMC, that powers VDDSHV8 used with the SDCARD on MMC1. Later it was determined that the only method to maintain device reliability was to fully enforce the supply sequence requirements shown in Figures 5-1 and 5-2 of the [AM571x Sitara Processors Silicon Revision 2.0 Data Manual \(SPRS957\)](#). The companion PMIC, TPS6590377, was enhanced to provide a shortened shut-down sequence that enforces the DM requirements in a time period (~1ms) that the PMIC input can hold up the supplies. The PMIC also has supply discharge resistors to pull down the supplies quickly when they are turning off. These 2 capabilities in the companion PMIC make the clamp circuits superfluous. However, designs that use REGEN1 to power the VDDSHVx supplies through a power switch will still need the clamp circuit. The power switches available do not discharge the supplies quick enough.

### **A.11 Crystal connected to osc0 needs to have 50ppm or better long term accuracy**

The crystal connected to osc0 needs to have 50ppm or better long term accuracy since it generates clocks used for Ethernet interfaces. The current crystal has 30ppm accuracy and 50ppm temperature variation for a combined tolerance of 80ppm. It also has aging of 2ppm per year.

### **A.12 Software must program the CDCE913 for 0pf load capacitance**

Software must program the CDCE913 for 0pf load capacitance to allow crystals to operate at their target frequency. Crystal load capacitors can be added to the oscillator circuit to allow the generated clock to output at the required nominal frequency so that this programming is not required. The default capacitance within the CDCE913 is 10pF so the capacitors C172, C173, C193, and C194 should be 8pF. Please refer to the [CDCE\(L\)913: Flexible Low Power LVCMOS Clock Generator With SSC Support for EMI Reduction Data Manual \(SCAS849\)](#) for more information. Also note that these clock generators are used to drive Ethernet circuitry, so the same crystal accuracy requirement from [Section A.11](#) applies to these crystals as well.

### **A.13 Protection diode D2 should be rated for 5V**

Protection diode D2 has the wrong value. It is meant to conduct current, if a voltage too large is connected to the IDK. This current surge should blow the fuse before ICs are damaged. The current part SMCJ26CA is rated for 26V. It should be replaced with SMCJ5.0A that is rated to protect a 5V-input power supply circuit.

**A.14 PHY address LSB for U9 and U15 can be latched incorrectly**

The PHY address LSB for U9 and U15 gets determined by the signal level at the PHY's COL pin during reset release. The PHY has a pull-down resistor connected to this pin to enable latching the value of 0. Unfortunately, this pin is also connected to one of the RJ-45 connector LEDs that pulls the signal to an undefined voltage of about 1.4V during the reset time. Therefore, the PHY address can incorrectly latch a value of 1. The LED circuit should be configured for active-high indication and the connections to the LED reversed with the cathode connected to ground. This allows the LSB of the address to be properly latched. Please refer to Section 6 of the [TLK1XX Design and Layout Guide Application Report \(SLVA531\)](#) for more information. The current software workaround programs the RXLINK pin with a pull-down resistor and then pulses the PHY reset from a GPIO, to cause it to latch the PHY address correctly.

**A.15 3.3-V clamp circuit needs more margin**

The 3.3-V clamp circuit is tuned too close such that if the 1.8-V supply is 5% low and the 3.3-V supply is 5% high, the clamp begins conducting. Replacing resistors R897 and R801 with a 24.3-K $\Omega$  resistor provides the proper tolerance, so the circuit will start conducting at a delta voltage of 1.75 V rather than the current setting of 1.5 V.

**A.16 Current PMIC does not provide the mandated power down sequence**

The current PMIC does not provide the mandated power down sequence as shown in the [AM571x Sitara Processors Silicon Revision 2.0 Data Manual \(SPRS957\)](#). Production IDK EVMs contain the TPS6590377 PMIC, which powers off the DDR supply at the wrong time. The default programming has been corrected in the TPS6590379 PMIC. This part will be used for future builds.

**A.17 Power supply droop may cause board reset**

The TPS3808G50 voltage supervisor circuit, U105, monitors the main power input and initiates a power-down sequence, if the main input voltage drops below 4.65V. Since some external power supplies may droop during rapid changes in load current, this can trigger an unexpected shut-down and restart sequence that resets the SOC. U105 can be replaced with a TPS3808G33 voltage supervisor device that triggers at 3.07V. This is still above the minimum input voltage of the PMIC. However, this lower threshold voltage may require additional capacitance to be added at the input to the PMIC to allow the power-down sequence to complete before the input voltage collapses.

**A.18 AM5718 pin N21 must be connected to 1.8 V, as it is VDDS18V\_DDR1 and not N/C**

AM5718 pin N21 must be connected to 1.8 V, as it is VDDS18V\_DDR1 and is not N/C. The schematic symbol has this labeled incorrectly.

**A.19 VOUT1 is used at 3.3 V, which violates erratum i920**

VOUT1 is used at 3.3V, which violates erratum i920. All VOUT ports can only be operated at 1.8 V on AM571x devices per the device erratum. Operation at 3.3 V may impact long-term reliability. Voltage-level translators must be used if these signals interface to circuits that require 3.3V signaling levels.

**A.20 PMIC OSC16MCAP pin mistakenly grounded**

The OSC16MCAP pin on the TPS659037x PMIC should be connected to a 2.2- $\mu$ F capacitor to ground. Unfortunately, all versions of this IDK EVM have this pin connected directly to ground. Although there are many IDK EVMs in use, connecting the OSC16MCAP pin directly to ground may damage the TPS659037x PMIC. Operation may become erratic or it may fail completely. Designs that copied this design mistake must be corrected.



**Revision History****Changes from C Revision (July 2019) to D Revision****Page**

- 
- Update was made in [Section 3.1](#). ..... **13**
-

## IMPORTANT NOTICE AND DISCLAIMER

TI PROVIDES TECHNICAL AND RELIABILITY DATA (INCLUDING DATASHEETS), DESIGN RESOURCES (INCLUDING REFERENCE DESIGNS), APPLICATION OR OTHER DESIGN ADVICE, WEB TOOLS, SAFETY INFORMATION, AND OTHER RESOURCES "AS IS" AND WITH ALL FAULTS, AND DISCLAIMS ALL WARRANTIES, EXPRESS AND IMPLIED, INCLUDING WITHOUT LIMITATION ANY IMPLIED WARRANTIES OF MERCHANTABILITY, FITNESS FOR A PARTICULAR PURPOSE OR NON-INFRINGEMENT OF THIRD PARTY INTELLECTUAL PROPERTY RIGHTS.

These resources are intended for skilled developers designing with TI products. You are solely responsible for (1) selecting the appropriate TI products for your application, (2) designing, validating and testing your application, and (3) ensuring your application meets applicable standards, and any other safety, security, or other requirements. These resources are subject to change without notice. TI grants you permission to use these resources only for development of an application that uses the TI products described in the resource. Other reproduction and display of these resources is prohibited. No license is granted to any other TI intellectual property right or to any third party intellectual property right. TI disclaims responsibility for, and you will fully indemnify TI and its representatives against, any claims, damages, costs, losses, and liabilities arising out of your use of these resources.

TI's products are provided subject to TI's Terms of Sale ([www.ti.com/legal/termsofsale.html](http://www.ti.com/legal/termsofsale.html)) or other applicable terms available either on [ti.com](http://ti.com) or provided in conjunction with such TI products. TI's provision of these resources does not expand or otherwise alter TI's applicable warranties or warranty disclaimers for TI products.

Mailing Address: Texas Instruments, Post Office Box 655303, Dallas, Texas 75265  
Copyright © 2019, Texas Instruments Incorporated