

LM10504EVAL User Guide



Triple Buck + LDO Power Management Unit
Evaluation Kit

Scope of Document

This document will describe the functionality of the LM10504EVAL, the hardware and software setup, and the use of both the board and software.

General Description

The LM10504 is an advanced Power Management Unit (PMU) containing three configurable, high efficiency buck regulators for supplying variable voltages. The device is ideal for supporting ASIC and SOC designs for SSD and flash drives.

Evaluation Kit Overview

LM10504 Evaluation Kit is based on an all-onboard system. The board operates through the USB port.

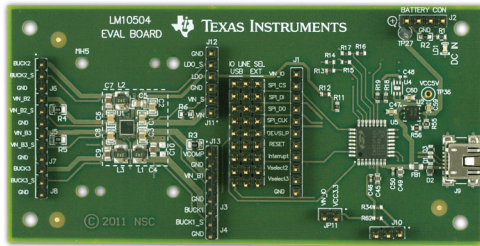


Figure 1: LM10504 Evaluation Board

The evaluation kit consists of:

- LM10504 evaluation board
- USB interface cable
- CD including:
 - Evaluation software graphical user interface (GUI)
 - LM10504 datasheet
- User Guide

Evaluation Software

LM10504 evaluation software is supplied together with documentation regarding the circuit. Copy the folder “lm10504” to your PC’s hard disk. The software is run by double clicking the icon of lm10504.exe found in the folder. The software does not require any installation.

The evaluation software allows control of all registers necessary to program the device. To simplify the use of software, the registers are set by directly named controls. The user does not need the register value as this is taken care of by the software. For example, to change LDO3 output voltage to 1.0V, choose the related value and the software will send the correct value to the LDO3 control register

Hardware Set Up

Please use ESD protection when handling the evaluation boards to prevent any damage from ESD events!

Connect the LM10504 evaluation board to the USB port of a PC using the USB cable.

When the USB board is plugged in for the first time, the operating system prompts for “New hardware found” and installs the USB driver. If this does not happen, try unplugging and plugging the cable in again.

Always disconnect the USB cable from the computer when changing jumper settings.

If the evaluation board is not responding or the evaluation software hangs up, disconnect the USB cable for 5 seconds.

Software Set Up

The graphical user interface has a main screen with two tab screens (System and Log) which allow control and indication for different functions of the device.

Once the evaluation board is connected to the PC, double click on the GUI icon and the device can be controlled via the software interface.

Software

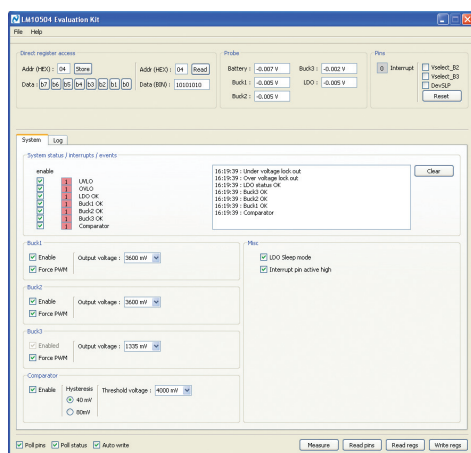


Figure 2: LM10504 Evaluation Software Main Screen

Using the Evaluation Software

The LM10504EVAL should become active as soon as the USB cable is plugged in. When the device starts up correctly, the green LED LD1 (DC IN) is illuminated. All of the device functions can be accessed via the control buttons.

Main screen

As shown in *Figures 2* and *3*, the top and bottom portions of the screen are visible in both tab screens. Common functions can be controlled here.

Top of screen

The left corner of the of screen contains the Direct Register Access frame. Binary data may be written and read from the registers. Use hexadecimal values in address fields. Correct data value can be created using buttons b0-b7. Value is immediately written to the device by pressing the Store button and read from the device by pressing the Read button.

The Probe frame in the center of the screen contains the results of voltage measurements. Values can be read by pressing the Measure button in lower right corner of the screen.

The Pins frame in the right corner of the screen shows the status of the Interrupt pin. It also contains the Reset button and checkboxes to control Vselect_B2 and Vselect_B3 signals. Pressing the Reset button causes 100 ms positive pulse in reset pin.

LM10504 reads the state of Vselect_B2 and Vselect_B3 pins only during startup. When LM10504 is using the USB bus as a power supply, pins Vselect_B2 and Vselect_B3 have no effect on LM10504. User can set pins in software and then power up LM10504 using an external power supply. Another way to set pins Vselect_B2 and Vselect_B3 is by using user connector J1 before powering up the board.

To save power, the device can be placed into sleep mode (DEVSLP) by asserting the DEVSLP pin high. While in sleep mode, Buck1 and Buck2 are disabled. Buck3's output voltage is transitioned into PSML as set by LM10504 register 0X09. The DEVSLP pin is internally pulled down.

Bottom of screen

This part of the screen contains the following checkboxes and buttons:

Poll pins checkbox

Allows continuous reading of the Interrupt pin state and results of on-board ADC.

Poll status checkbox

Allows continuous reading of the evaluation chip status register.

Auto write checkbox

If this box is checked, any change to registry will be written to the device immediately. Otherwise, the user must press the Write regs button to update registers. This way, the user can change values in several registers and update changes simultaneously.

Measure button

Reads and shows the onboard voltages at the top of the screen.

Read pins button

Reads the state of Interrupt pin.

Read regs button

Reads the content of every register and updates the screen accordingly.

Write regs button

If the Auto write checkbox is disabled, the user can press this button to update the content of every register.

There is a status bar at the bottom of the screen. It shows whether or not the connection to the evaluation board is established. (In *Figure 2*, the status bar reads ready.)

Using the Evaluation Hardware

Connectors are provided to allow a battery connection and output voltage measurement. Jumpers allow user selectable or USB controlled settings for device functions.

Power supply

The evaluation board may power from a battery connector or from the USB interface.

Set the jumper between J2 pin1 and TP27 to use supply from USB. Maximum current for USB supply is 500 mA.

BATTERY CONNECTOR J2	
Pin	Function
1	Battery (+) terminal
2	GND
3	GND
4	No connection

Control

A green LED (DC IN) will be illuminated once the LM10504 has started up.

The logic signals can be controlled either by the evaluation software or externally through USER CONNECTOR J1. Set the jumper block from JP2 to JP10 accordingly.

USER CONNECTOR J1	
Pin	Function
1	VIN_IO
2	SPI_CS
3	SPI_DI
4	SPI_DO
5	SPI_CLK
6	STANDBY
7	RESET
8	IRQ
9	HL_B2
10	HL_B3
11	DEVSLP

For accessing the signals externally via this connector, jumpers from JP2 to JP10 should be set to EXT position.

Hardware

Control (continued)

CONNECTOR J3	
Pin	Function
1	VIN_B1
2	VIN_B1
3	GND

CONNECTOR J7	
Pin	Function
1	VIN_B3
2	VIN_B3
3	GND

CONNECTOR J4	
Pin	Function
1	BUCK1
2	BUCK1
3	GND

CONNECTOR J8	
Pin	Function
1	BUCK3
2	BUCK3
3	GND

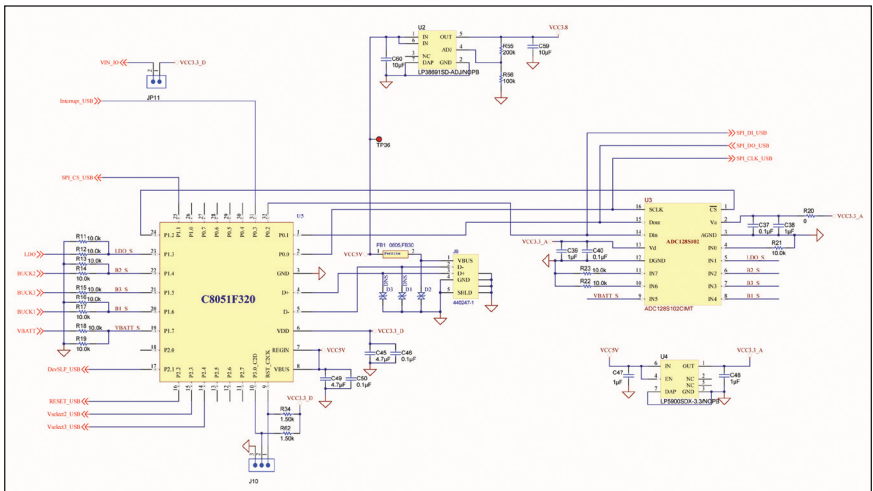
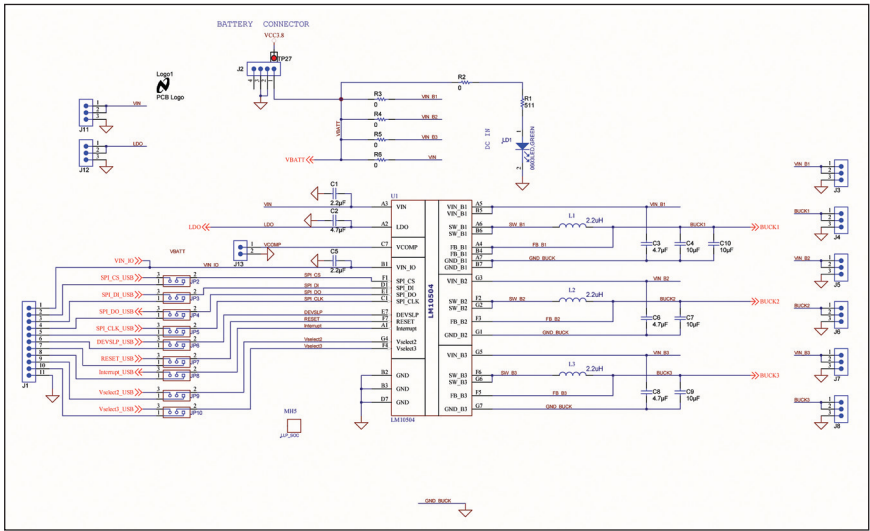
CONNECTOR J5	
Pin	Function
1	VIN_B2
2	VIN_B2
3	GND

CONNECTOR J11	
Pin	Function
1	VIN
2	VIN
3	GND

CONNECTOR J6	
Pin	Function
1	BUCK2
2	BUCK2
3	GND

CONNECTOR J12	
Pin	Function
1	LDO
2	LDO
3	GND

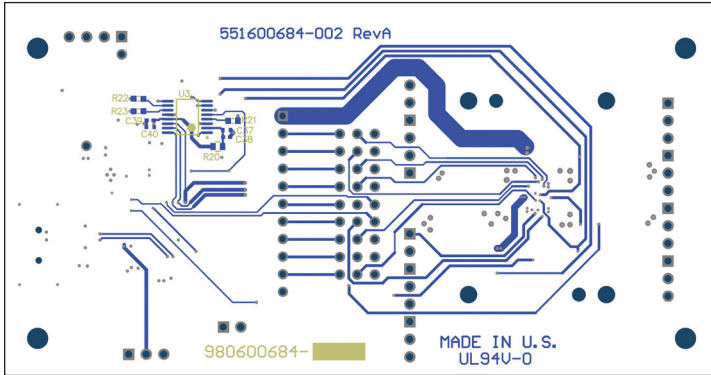
PCB Schematic



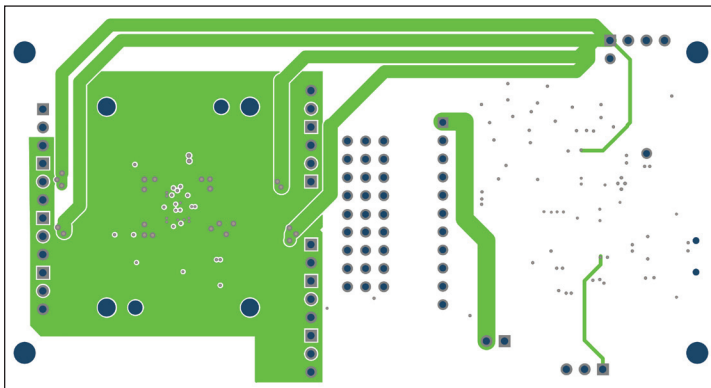
LM10504EVAL Board Schematics

Hardware

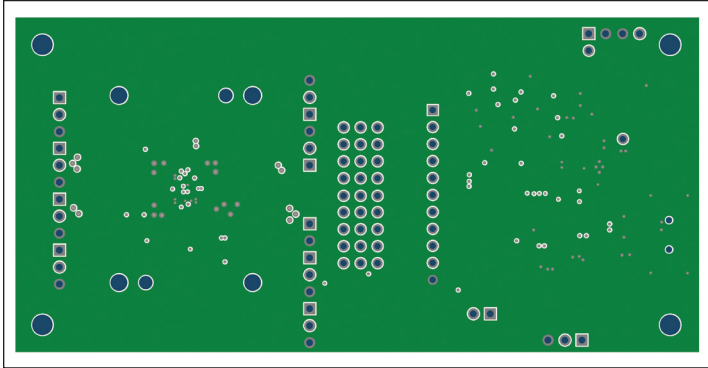
Board Layout



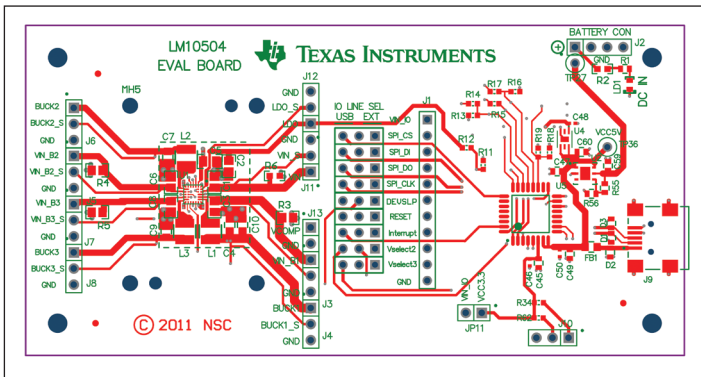
Top Layer



Mid Layer 1



Mid Layer 2



Bottom Layer

TI Worldwide Technical Support

Internet

TI Semiconductor Product Information Center Home Page

support.ti.com

TI E2E™ Community Home Page

e2e.ti.com

Product Information Centers

Americas Phone +1(972) 644-5580

Brazil Phone 0800-891-2616

Mexico Phone 0800-670-7544

Fax +1(972) 927-6377

Internet/Email support.ti.com/sc/pic/americas.htm

Europe, Middle East, and Africa

Phone

European Free Call 00800-ASK-TEXAS
(00800 275 83927)

International +49 (0) 8161 80 2121

Russian Support +7 (4) 95 98 10 701

Note: The European Free Call (Toll Free) number is not active in all countries. If you have technical difficulty calling the free call number, please use the international number above.

Fax +(49) (0) 8161 80 2045

Internet support.ti.com/sc/pic/euro.htm

Direct Email asktexas@ti.com

Japan

Phone Domestic 0120-92-3326

Fax International +81-3-3344-5317

Domestic 0120-81-0036

Internet/Email Internationalsupport.ti.com/sc/pic/japan.htm

Domestic www.tij.co.jp/pic

Asia

Phone

International +91-80-41381665

Domestic Toll-Free Number

Note: Toll-free numbers do not support mobile and IP phones.

Australia 1-800-999-084

China 800-820-8682

Hong Kong 800-96-5941

India 1-800-425-7888

Indonesia 001-803-8861-1006

Korea 080-551-2804

Malaysia 1-800-80-3973

New Zealand 0800-446-934

Philippines 1-800-765-7404

Singapore 800-886-1028

Taiwan 0800-006800

Thailand 001-800-886-0010

Fax +8621-23073686

Email tiasia@ti.com or ti-china@ti.com

Internet support.ti.com/sc/pic/asia.htm

The platform bar, E2E and SIMPLE SWITCHER are trademarks of Texas Instruments.

All other trademarks are the property of their respective owners.

Important Notice: The products and services of Texas Instruments Incorporated and its subsidiaries described herein are sold subject to TI's standard terms and conditions of sale. Customers are advised to obtain the most current and complete information about TI products and services before placing orders. TI assumes no liability for applications assistance, customer's applications or product designs, software performance, or infringement of patents. The publication of information regarding any other company's products or services does not constitute TI's approval, warranty or endorsement thereof.

IMPORTANT NOTICE

Texas Instruments Incorporated and its subsidiaries (TI) reserve the right to make corrections, modifications, enhancements, improvements, and other changes to its products and services at any time and to discontinue any product or service without notice. Customers should obtain the latest relevant information before placing orders and should verify that such information is current and complete. All products are sold subject to TI's terms and conditions of sale supplied at the time of order acknowledgment.

TI warrants performance of its hardware products to the specifications applicable at the time of sale in accordance with TI's standard warranty. Testing and other quality control techniques are used to the extent TI deems necessary to support this warranty. Except where mandated by government requirements, testing of all parameters of each product is not necessarily performed.

TI assumes no liability for applications assistance or customer product design. Customers are responsible for their products and applications using TI components. To minimize the risks associated with customer products and applications, customers should provide adequate design and operating safeguards.

TI does not warrant or represent that any license, either express or implied, is granted under any TI patent right, copyright, mask work right, or other TI intellectual property right relating to any combination, machine, or process in which TI products or services are used. Information published by TI regarding third-party products or services does not constitute a license from TI to use such products or services or a warranty or endorsement thereof. Use of such information may require a license from a third party under the patents or other intellectual property of the third party, or a license from TI under the patents or other intellectual property of TI.

Reproduction of TI information in TI data books or data sheets is permissible only if reproduction is without alteration and is accompanied by all associated warranties, conditions, limitations, and notices. Reproduction of this information with alteration is an unfair and deceptive business practice. TI is not responsible or liable for such altered documentation. Information of third parties may be subject to additional restrictions.

Resale of TI products or services with statements different from or beyond the parameters stated by TI for that product or service voids all express and any implied warranties for the associated TI product or service and is an unfair and deceptive business practice. TI is not responsible or liable for any such statements.

TI products are not authorized for use in safety-critical applications (such as life support) where a failure of the TI product would reasonably be expected to cause severe personal injury or death, unless officers of the parties have executed an agreement specifically governing such use. Buyers represent that they have all necessary expertise in the safety and regulatory ramifications of their applications, and acknowledge and agree that they are solely responsible for all legal, regulatory and safety-related requirements concerning their products and any use of TI products in such safety-critical applications, notwithstanding any applications-related information or support that may be provided by TI. Further, Buyers must fully indemnify TI and its representatives against any damages arising out of the use of TI products in such safety-critical applications.

TI products are neither designed nor intended for use in military/aerospace applications or environments unless the TI products are specifically designated by TI as military-grade or "enhanced plastic." Only products designated by TI as military-grade meet military specifications. Buyers acknowledge and agree that any such use of TI products which TI has not designated as military-grade is solely at the Buyer's risk, and that they are solely responsible for compliance with all legal and regulatory requirements in connection with such use.

TI products are neither designed nor intended for use in automotive applications or environments unless the specific TI products are designated by TI as compliant with ISO/TS 16949 requirements. Buyers acknowledge and agree that, if they use any non-designated products in automotive applications, TI will not be responsible for any failure to meet such requirements.

Following are URLs where you can obtain information on other Texas Instruments products and application solutions:

Products

Audio	www.ti.com/audio
Amplifiers	amplifier.ti.com
Data Converters	dataconverter.ti.com
DLP® Products	www.dlp.com
DSP	dsp.ti.com
Clocks and Timers	www.ti.com/clocks
Interface	interface.ti.com
Logic	logic.ti.com
Power Mgmt	power.ti.com
Microcontrollers	microcontroller.ti.com
RFID	www.ti-rfid.com
OMAP Mobile Processors	www.ti.com/omap
Wireless Connectivity	www.ti.com/wirelessconnectivity

Applications

Automotive and Transportation	www.ti.com/automotive
Communications and Telecom	www.ti.com/communications
Computers and Peripherals	www.ti.com/computers
Consumer Electronics	www.ti.com/consumer-apps
Energy and Lighting	www.ti.com/energy
Industrial	www.ti.com/industrial
Medical	www.ti.com/medical
Security	www.ti.com/security
Space, Avionics and Defense	www.ti.com/space-avionics-defense
Video and Imaging	www.ti.com/video

TI E2E Community Home Page

e2e.ti.com

Mailing Address: Texas Instruments, Post Office Box 655303, Dallas, Texas 75265
Copyright © 2012, Texas Instruments Incorporated