

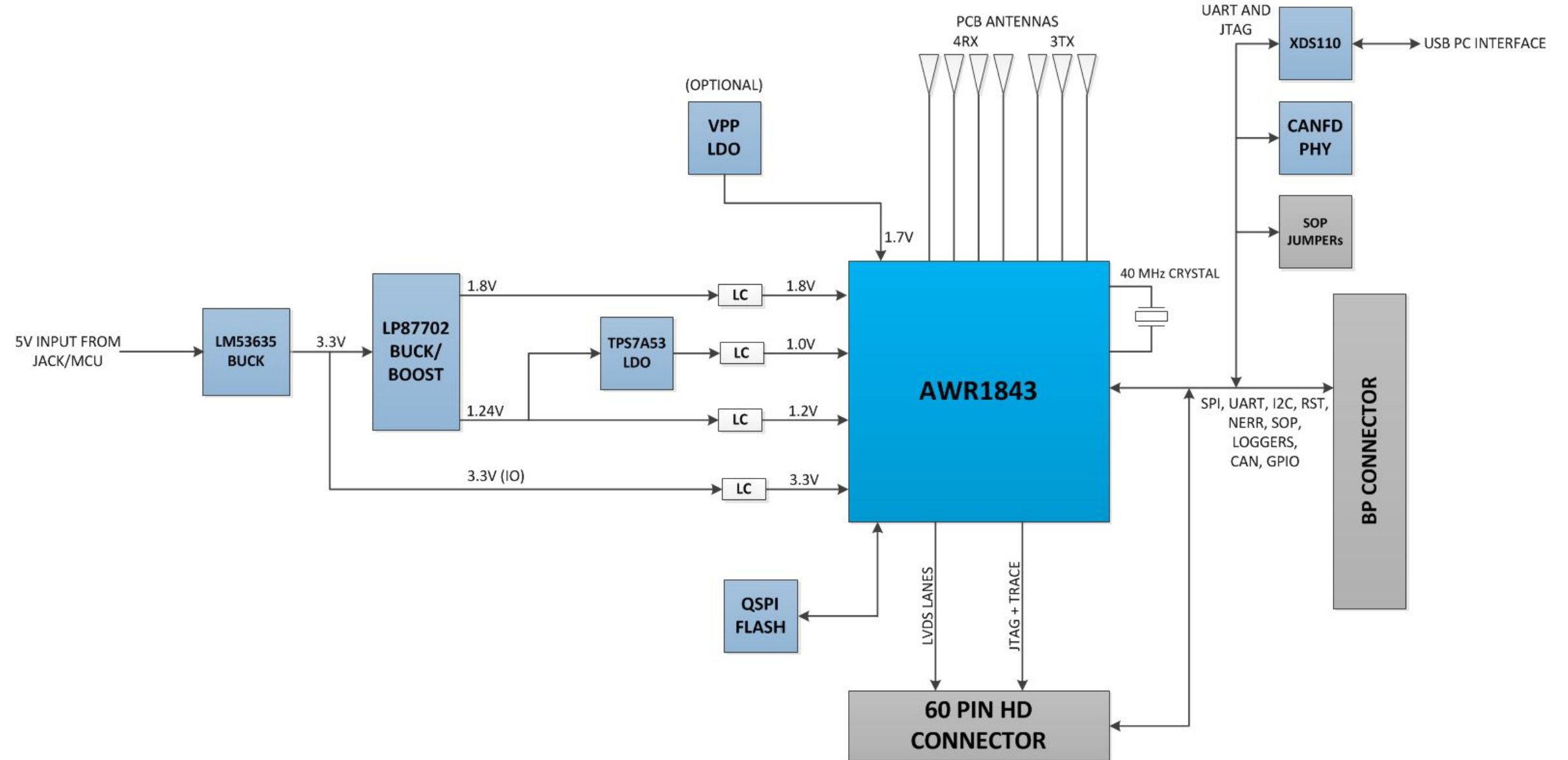
xWR1843BOOST COVER SHEET

Revision History

Rev	ECN #	Approved Date	Approved by	Notes
C	1	1/1/2019	Adrian Ozer	Increased LDO output cap to 47uF
C	2	1/1/2019	Adrian Ozer	Added two optional 10uF LDO output caps
C	3	1/1/2019	Adrian Ozer	Added 10uF cap to LDO input
C	4	1/1/2019	Adrian Ozer	Added test pad to LDO PG pin
C	5	1/1/2019	Adrian Ozer	Connected LDO DNC pads to GND for thermal performance
C	6	1/1/2019	Adrian Ozer	Added optional bleed resistor on LDO output
C	7	1/1/2019	Adrian Ozer	Changed 1V filtering to BLM18 inductor
C	8	1/1/2019	Adrian Ozer	Added 22uF caps to 1V, 1.24V, and 1.8V LC filters
C	9	1/1/2019	Adrian Ozer	Added 10uF caps to 3.3V and 1.24V LC filter
C	10	1/1/2019	Adrian Ozer	Added additional 10uF caps to 1V LC filter
C	10	1/31/2019	Adrian Ozer	Enabled 3.3V to BP header by default

TABLE OF CONTENTS

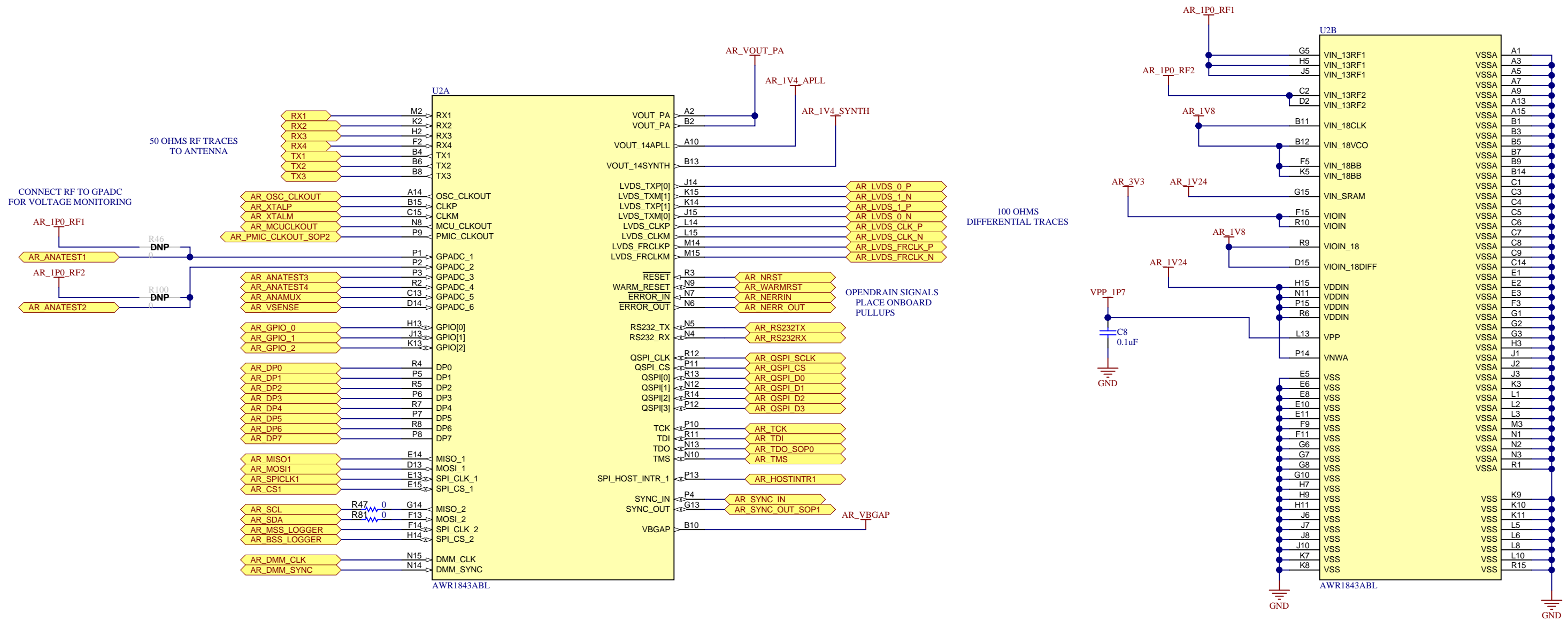
SHEET NO.	SHEET NAME
1	Cover Sheet
2	DUT_Reference
3	Decoupling_Caps_Reference
4	PWR_In_Reference
5	LC_Filtering_Reference
6	QSPI_Flash_Reference
7	SOP_Headers_Reference
8	RST_LEDs
9	VPP_Supply
10	HD_Connector
11	LP_Connector
12	XDS110_Interface_1A
13	XDS110_Interface_1B
14	CAN_Interface
15	Tempsensor
16	Hardware



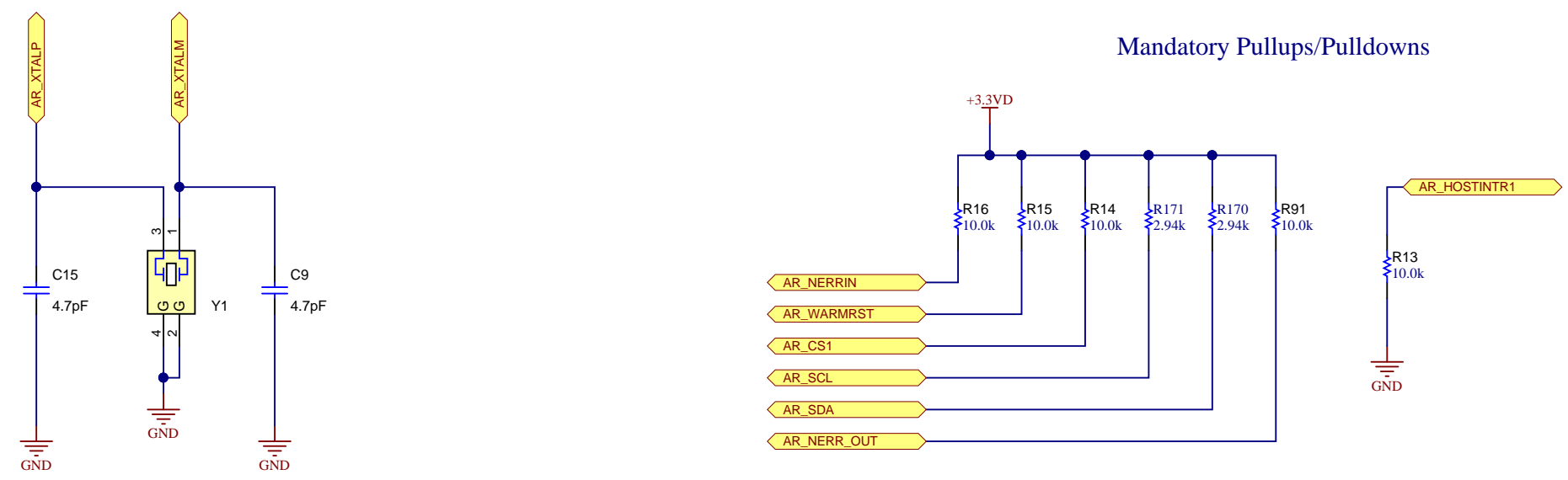
Orderable: AWR1843BOOST	Designed for: Public Release	Mod. Date: 2/13/2019
TID #: N/A	Project Title: xWR1843EVM	
Number: PROC051	Rev: C	Sheet Title: Contents
SVN Rev: Not in version control	Assembly Variant: 001	Sheet: 1 of 16
Drawn By:	File: PROC051C_Cover_Sheet.SchDoc	Size: B
Engineer: Adrian Ozer	Contact: http://www.ti.com/support	

Texas Instruments and/or its licensors do not warrant the accuracy or completeness of this specification or any information contained therein. Texas Instruments and/or its licensors do not warrant that this design will meet the specifications, will be suitable for your application or fit for any particular purpose, or will operate in an implementation. Texas Instruments and/or its licensors do not warrant that the design is production worthy. You should completely validate and test your design implementation to confirm the system functionality for your application.

DUT REFERENCE



Mandatory Pullups/Pulldowns

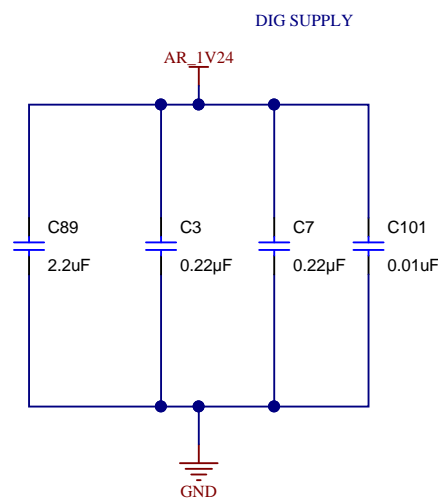
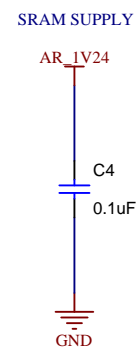
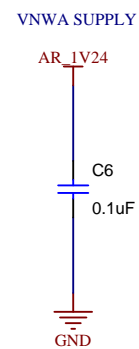
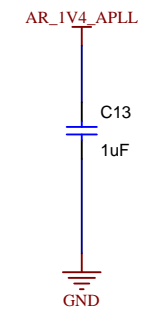
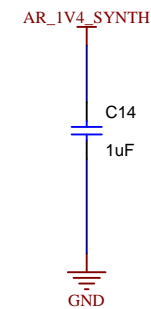
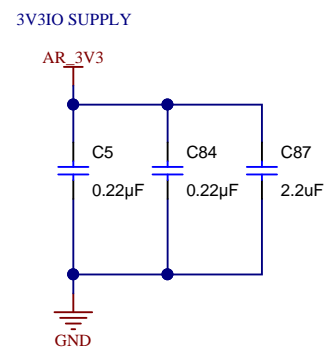
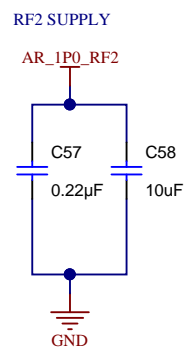
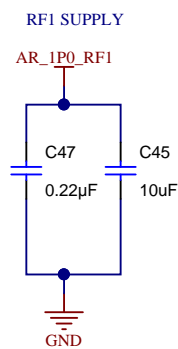
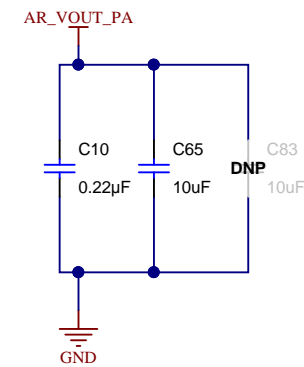
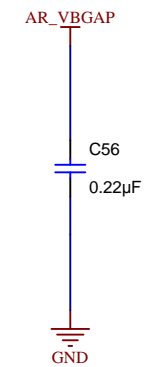
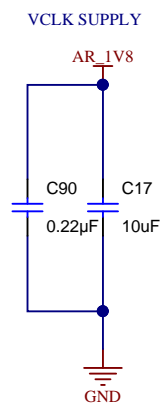
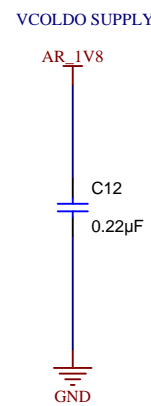
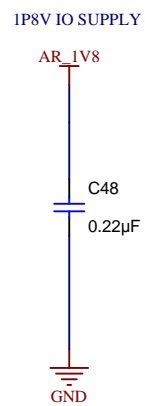
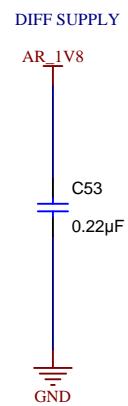
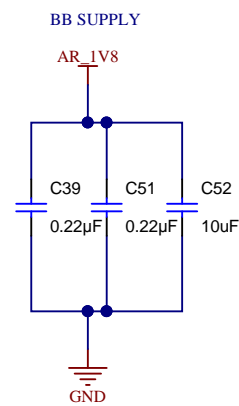


Texas Instruments and/or its licensors do not warrant the accuracy or completeness of this specification or any information contained therein. Texas Instruments and/or its licensors do not warrant that this design will meet the specifications, will be suitable for your application or fit for any particular purpose, or will operate in an implementation. Texas Instruments and/or its licensors do not warrant that the design is production worthy. You should completely validate and test your design implementation to confirm the system functionality for your application.

Orderable: AWR1843BOOST	Designed for: Public Release	Mod. Date: 1/3/2019
TID #: N/A	Project Title: xWR1843EVM	
Number: PROC051	Rev: C	Sheet Title: DUT
SVN Rev: Not in version control	Assembly Variant: 001	Sheet: 2 of 16
Drawn By:	File: PROC051C_DUT_Reference.SchDoc	Size: B
Engineer: Adrian Ozer	Contact: http://www.ti.com/support	



DECOUPLING CAPS REFERENCE

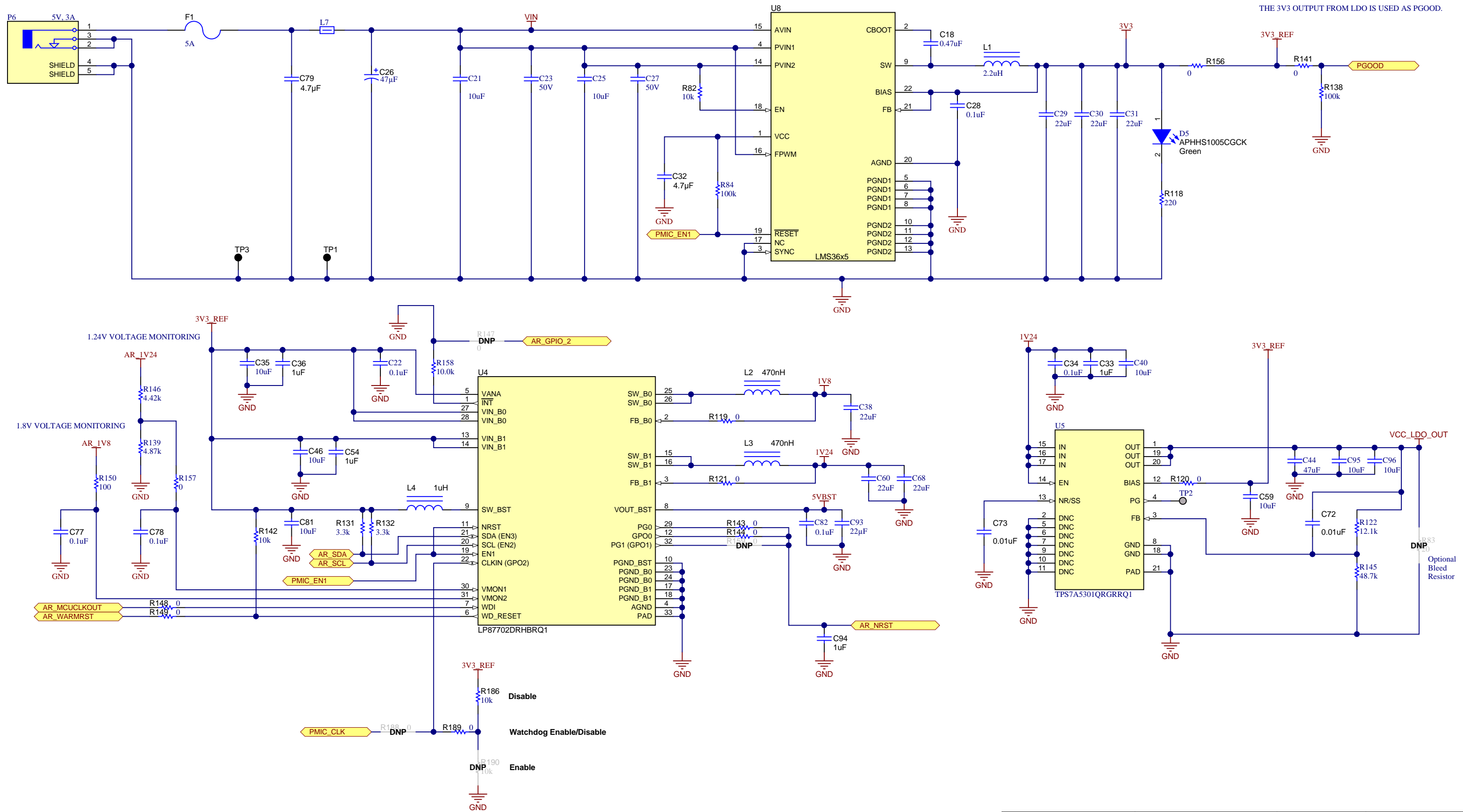


Texas Instruments and/or its licensors do not warrant the accuracy or completeness of this specification or any information contained therein. Texas Instruments and/or its licensors do not warrant that this design will meet the specifications, will be suitable for your application or fit for any particular purpose, or will operate in an implementation. Texas Instruments and/or its licensors do not warrant that the design is production worthy. You should completely validate and test your design implementation to confirm the system functionality for your application.

Orderable: AWR1843BOOST	Designed for: Public Release	Mod. Date: 1/3/2019
TID #: N/A	Project Title: xWR1843EVM	
Number: PROC051	Rev: C	Sheet Title: Decoupling_caps
SVN Rev: Not in version control	Assembly Variant: 001	Sheet: 3 of 16
Drawn By:	File: PROC051C_Dcoupling_Caps_Reference.SchDoc	Size: B
Engineer: Adrian Ozer	Contact: http://www.ti.com/support	



POWER INPUT REFERENCE

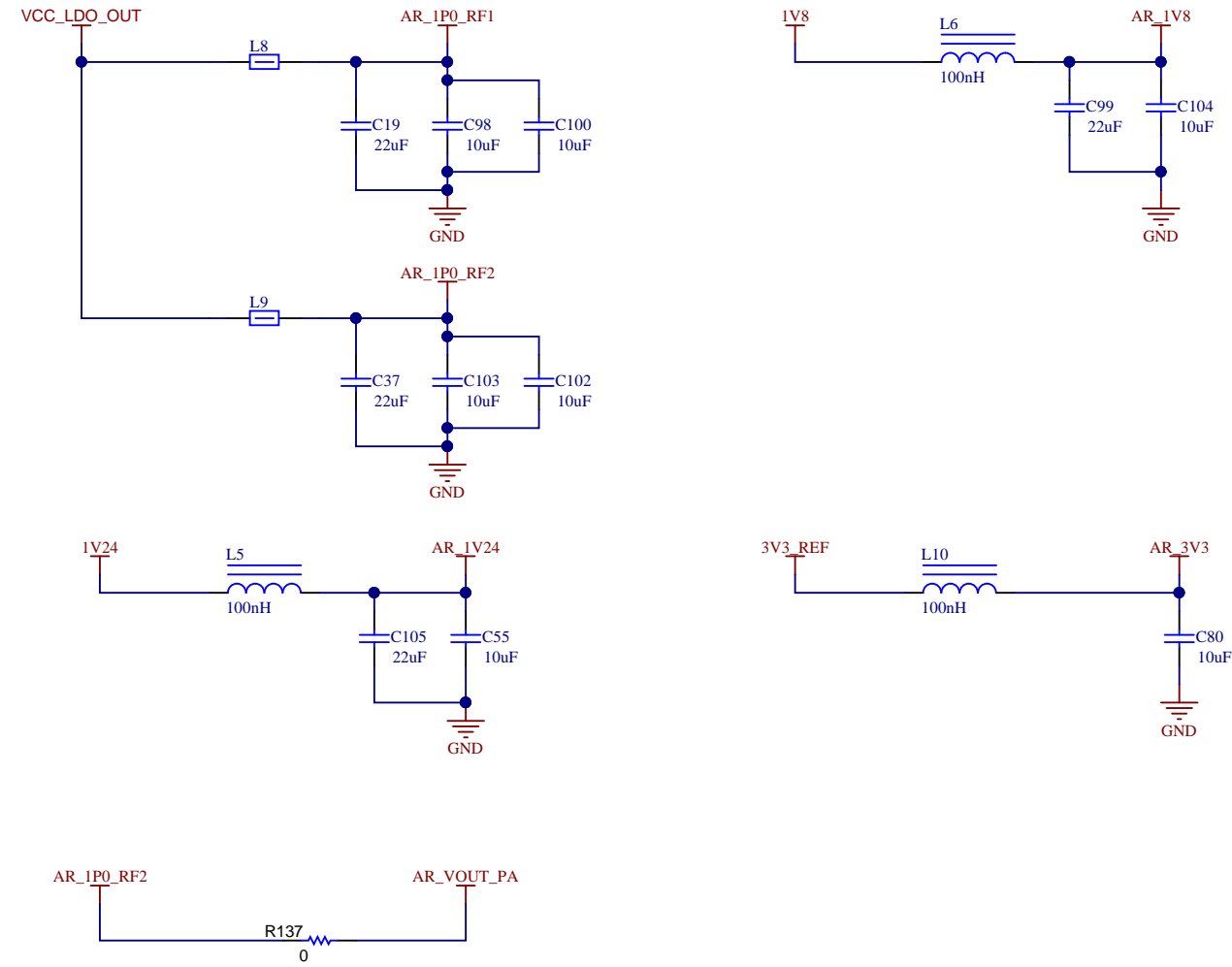


Texas Instruments and/or its licensors do not warrant the accuracy or completeness of this specification or any information contained therein. Texas Instruments and/or its licensors do not warrant that this design will meet the specifications, will be suitable for your application or fit for any particular purpose, or will operate in an implementation. Texas Instruments and/or its licensors do not warrant that the design is production worthy. You should completely validate and test your design implementation to confirm the system functionality for your application.

Orderable: AWR1843BOOST	Designed for: Public Release	Mod. Date: 3/6/2019
TID #: N/A	Project Title: xWR1843EVM	
Number: PROC051	Rev: C	Sheet Title:
SVN Rev: Not in version control	Assembly Variant: 001	Sheet: 4 of 16
Drawn By:	File: PROC051C_PWR_In_Reference.SchDoc	Size: B
Engineer: Adrian Ozer	Contact: http://www.ti.com/support	

TEXAS INSTRUMENTS
<http://www.ti.com>
 © Texas Instruments 2018

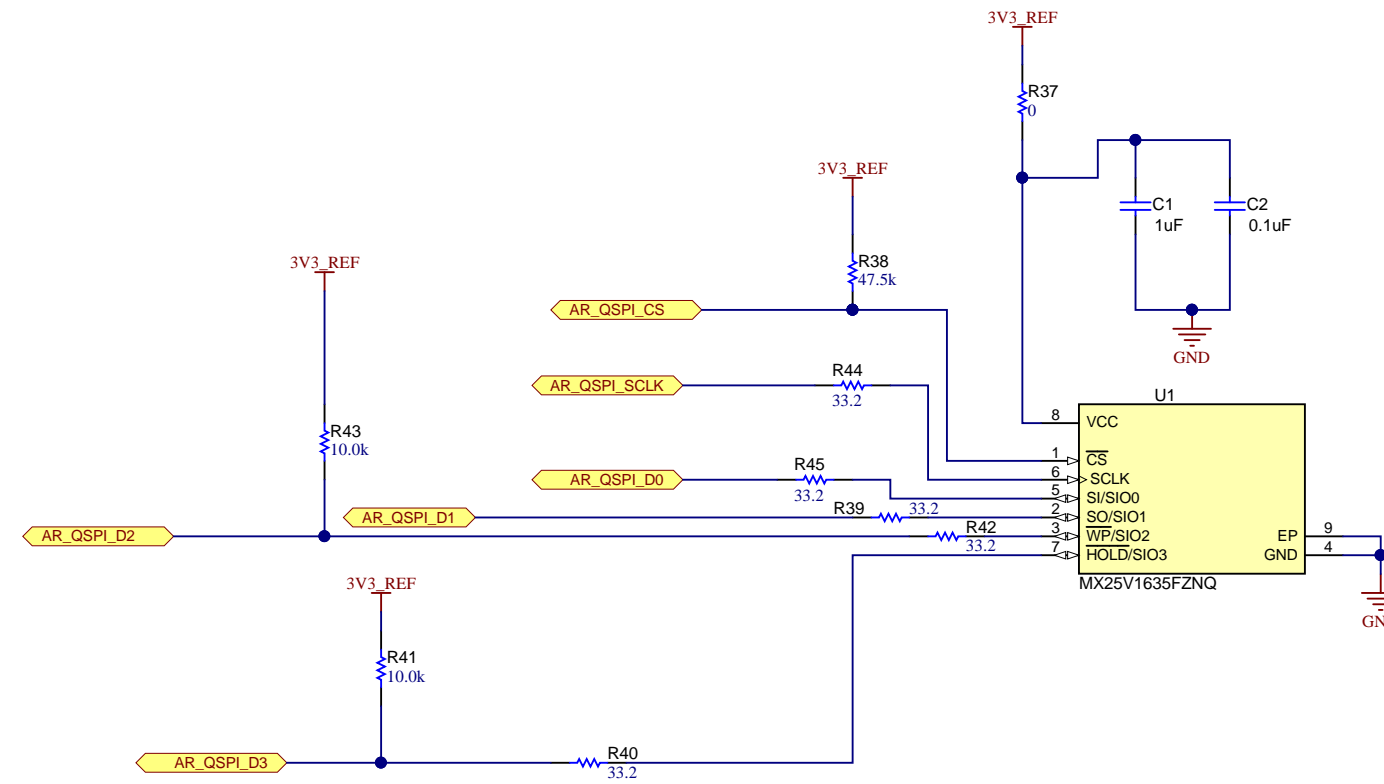
LC FILTERING REFERENCE



Texas Instruments and/or its licensors do not warrant the accuracy or completeness of this specification or any information contained therein. Texas Instruments and/or its licensors do not warrant that this design will meet the specifications, will be suitable for your application or fit for any particular purpose, or will operate in an implementation. Texas Instruments and/or its licensors do not warrant that the design is production worthy. You should completely validate and test your design implementation to confirm the system functionality for your application.

Orderable: AWR1843BOOST	Designed for: Public Release	Mod. Date: 3/6/2019	
TID #: N/A	Project Title: xWR1843EVM	Sheet: 5 of 16	
Number: PROC051	Rev: C	File: PROC051C_LC_Filtering_Reference.SchDoc	Size: B
SVN Rev: Not in version control	Assembly Variant: 001	Engineer: Adrian Ozer	Contact: http://www.ti.com/support
Drawn By:			© Texas Instruments 2018

QSPI FLASH REFERENCE



Texas Instruments and/or its licensors do not warrant the accuracy or completeness of this specification or any information contained therein. Texas Instruments and/or its licensors do not warrant that this design will meet the specifications, will be suitable for your application or fit for any particular purpose, or will operate in an implementation. Texas Instruments and/or its licensors do not warrant that the design is production worthy. You should completely validate and test your design implementation to confirm the system functionality for your application.

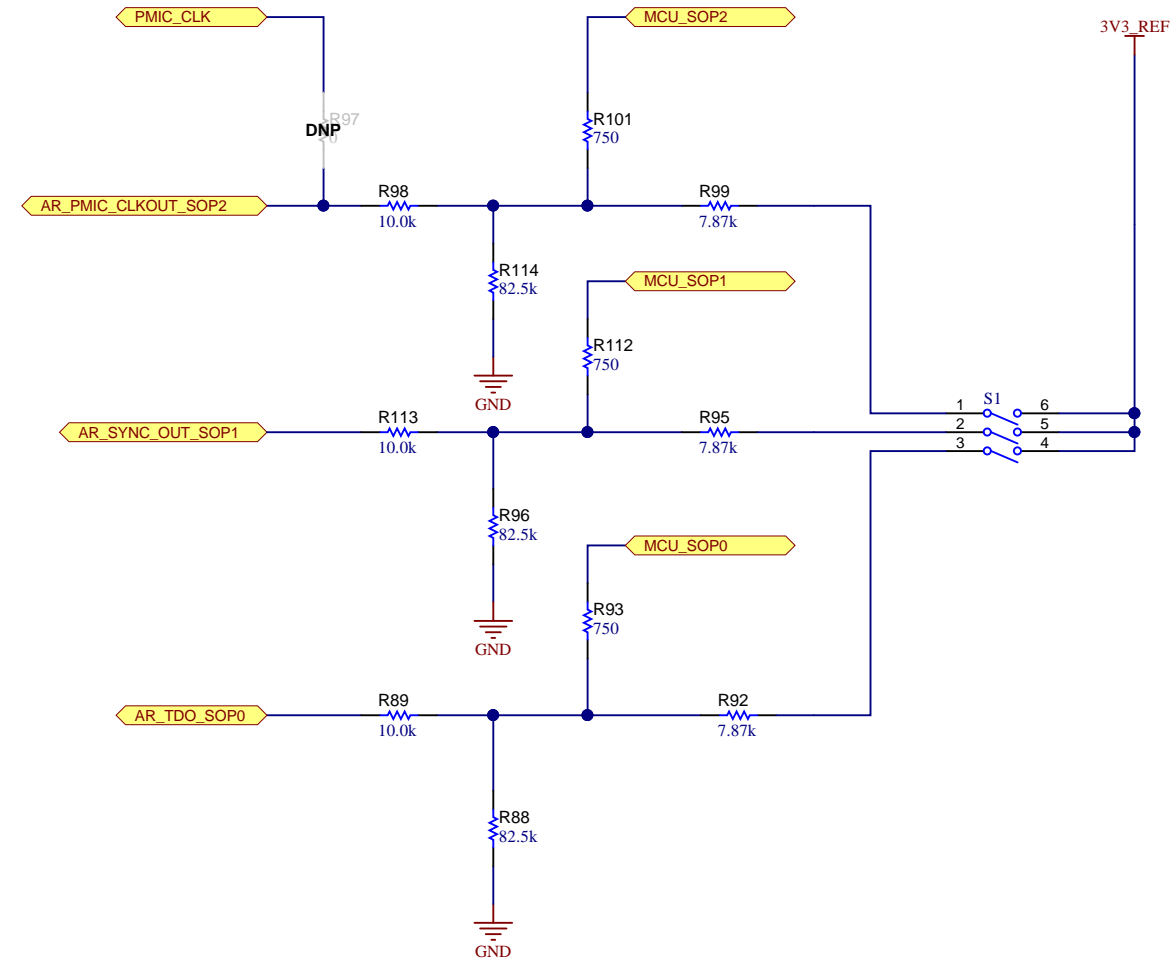
Orderable: AWR1843BOOST	Designed for: Public Release	Mod. Date: 1/3/2019
TID #: N/A	Project Title: xWR1843EVM	
Number: PROC051	Rev: C	Sheet Title: QSPI flash section
SVN Rev: Not in version control	Assembly Variant: 001	Sheet: 6 of 16
Drawn By:	File: PROC051C_QSPI_Flash_Reference.SchDoc	Size: B
Engineer: Adrian Ozer	Contact: http://www.ti.com/support	



http://www.ti.com
© Texas Instruments 2018

SOP HEADERS REFERENCE

SOP_MODE1	"010"	SCAN/ATPG
SOP_MODE2	"011"	DEV/FLED/ORBIT
SOP_MODE3	"000"	THB
SOP_MODE4	"001"	FUNC -> DEFAULT VALUE FOR OUTPUTS
SOP_MODE5	"101"	DEV MANAGEMENT -> FOR FLASHING



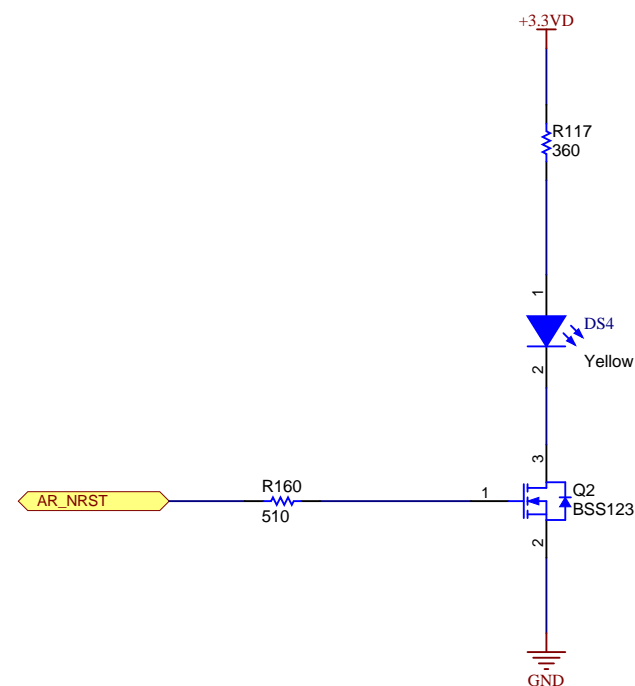
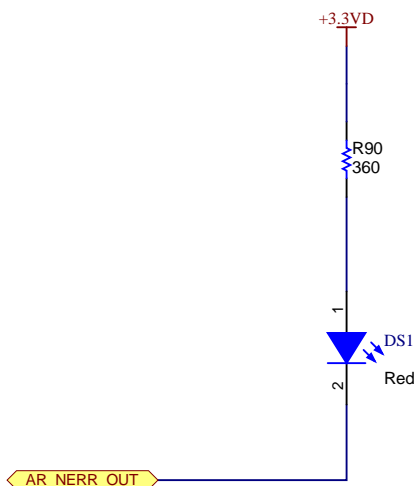
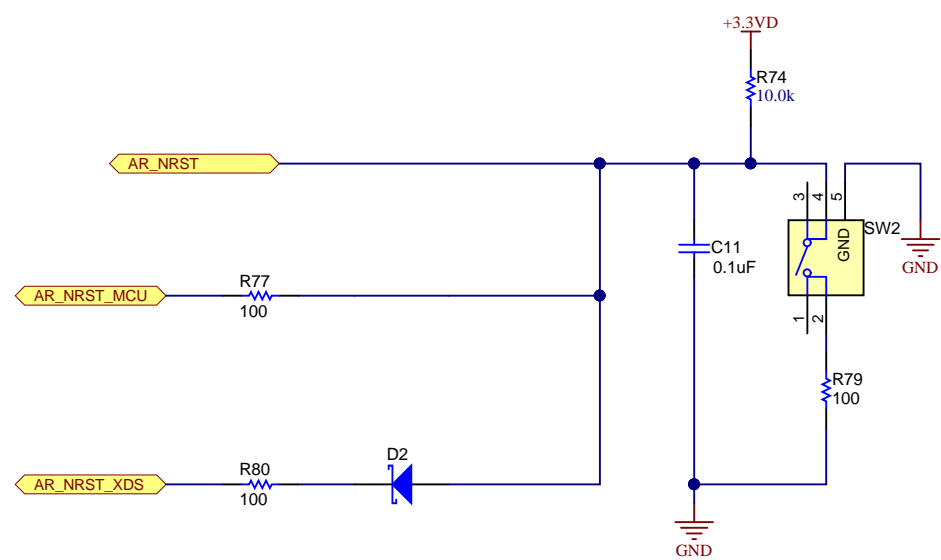
Texas Instruments and/or its licensors do not warrant the accuracy or completeness of this specification or any information contained therein. Texas Instruments and/or its licensors do not warrant that this design will meet the specifications, will be suitable for your application or fit for any particular purpose, or will operate in an implementation. Texas Instruments and/or its licensors do not warrant that the design is production worthy. You should completely validate and test your design implementation to confirm the system functionality for your application.

Orderable: AWR1843BOOST	Designed for: Public Release	Mod. Date: 1/3/2019
TID #: N/A	Project Title: xWR1843EVM	
Number: PROC051	Rev: C	Sheet: 7 of 16
SVN Rev: Not in version control	Assembly Variant: 001	File: PROC051C_SOP_Headers_Reference.SchDoc
Drawn By:	Engineer: Adrian Ozer	Contact: http://www.ti.com/support

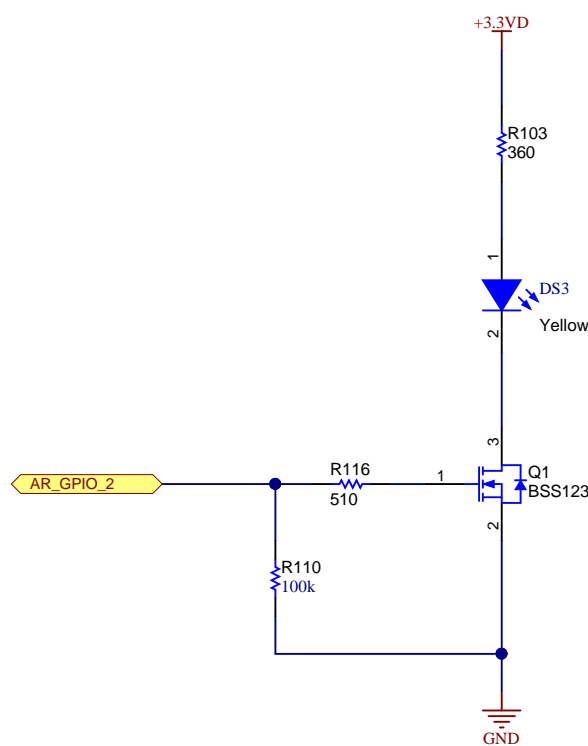
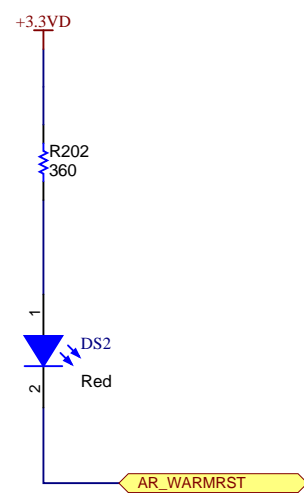
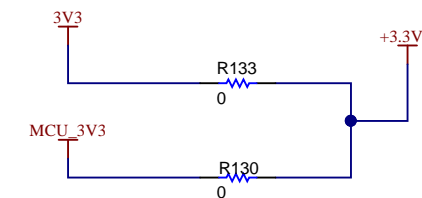


RESET AND LEDS

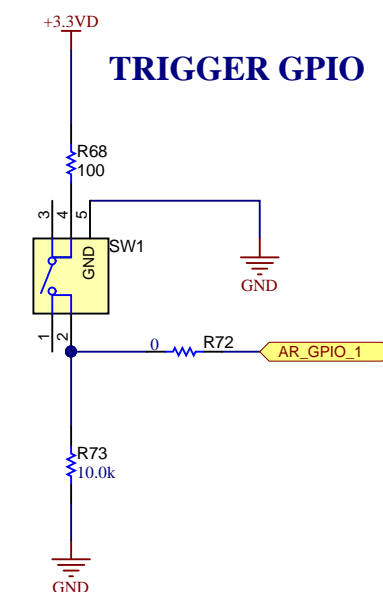
INDICATION LEDS



3V3 PERIPHERAL SUPPLY FROM LDO OR FROM THE MCU



TRIGGER GPIO



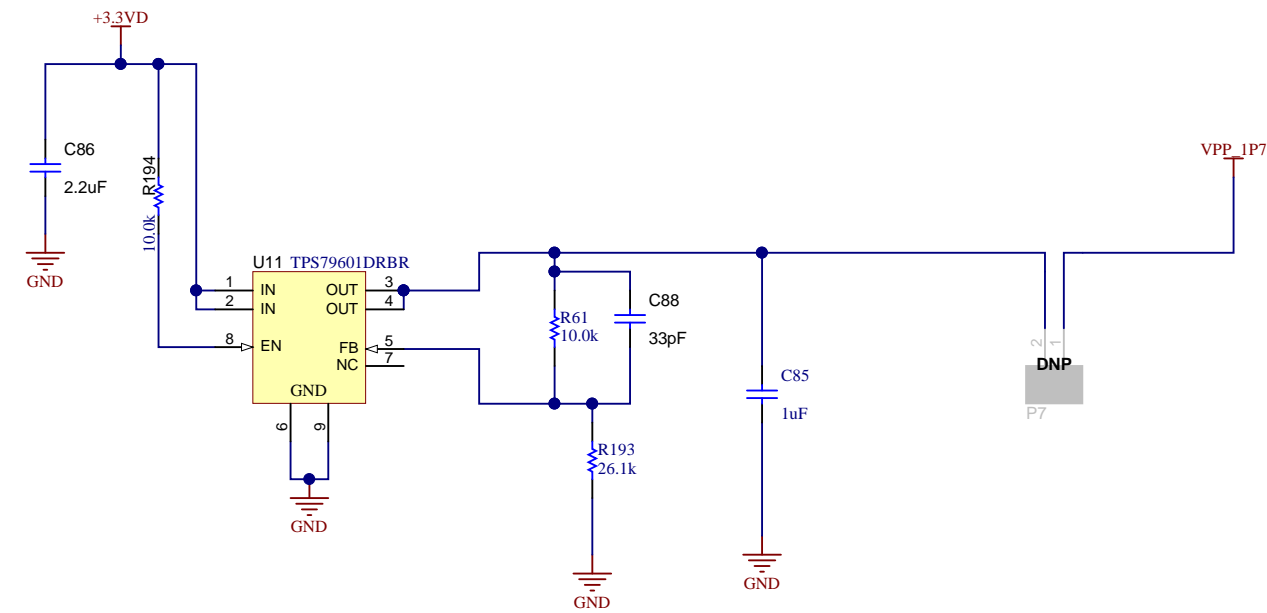
Texas Instruments and/or its licensors do not warrant the accuracy or completeness of this specification or any information contained therein. Texas Instruments and/or its licensors do not warrant that this design will meet the specifications, will be suitable for your application or fit for any particular purpose, or will operate in an implementation. Texas Instruments and/or its licensors do not warrant that the design is production worthy. You should completely validate and test your design implementation to confirm the system functionality for your application.

Orderable: AWR1843BOOST	Designed for: Public Release	Mod. Date: 2/20/2019
TID #: N/A	Project Title: xWR1843EVM	
Number: PROC051	Rev: C	Sheet Title: Pwr_RST_LEDs
SVN Rev: Not in version control	Assembly Variant: 001	Sheet: 8 of 16
Drawn By:	File: PROC051C_RST_LEDs.SchDoc	Size: B
Engineer: Adrian Ozer	Contact: http://www.ti.com/support	




© Texas Instruments 2018

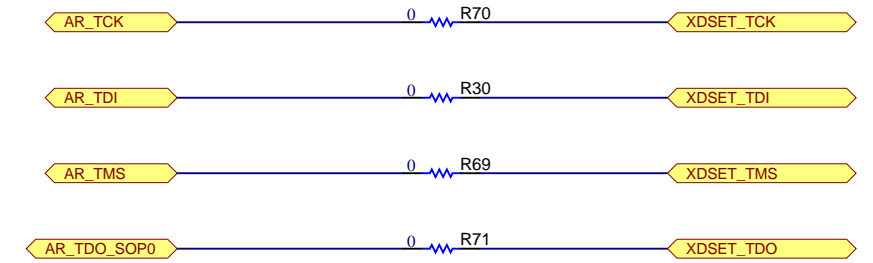
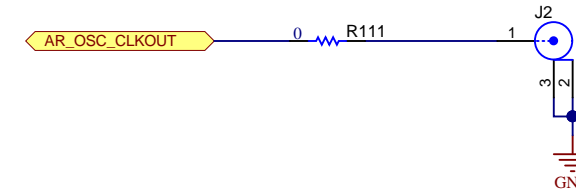
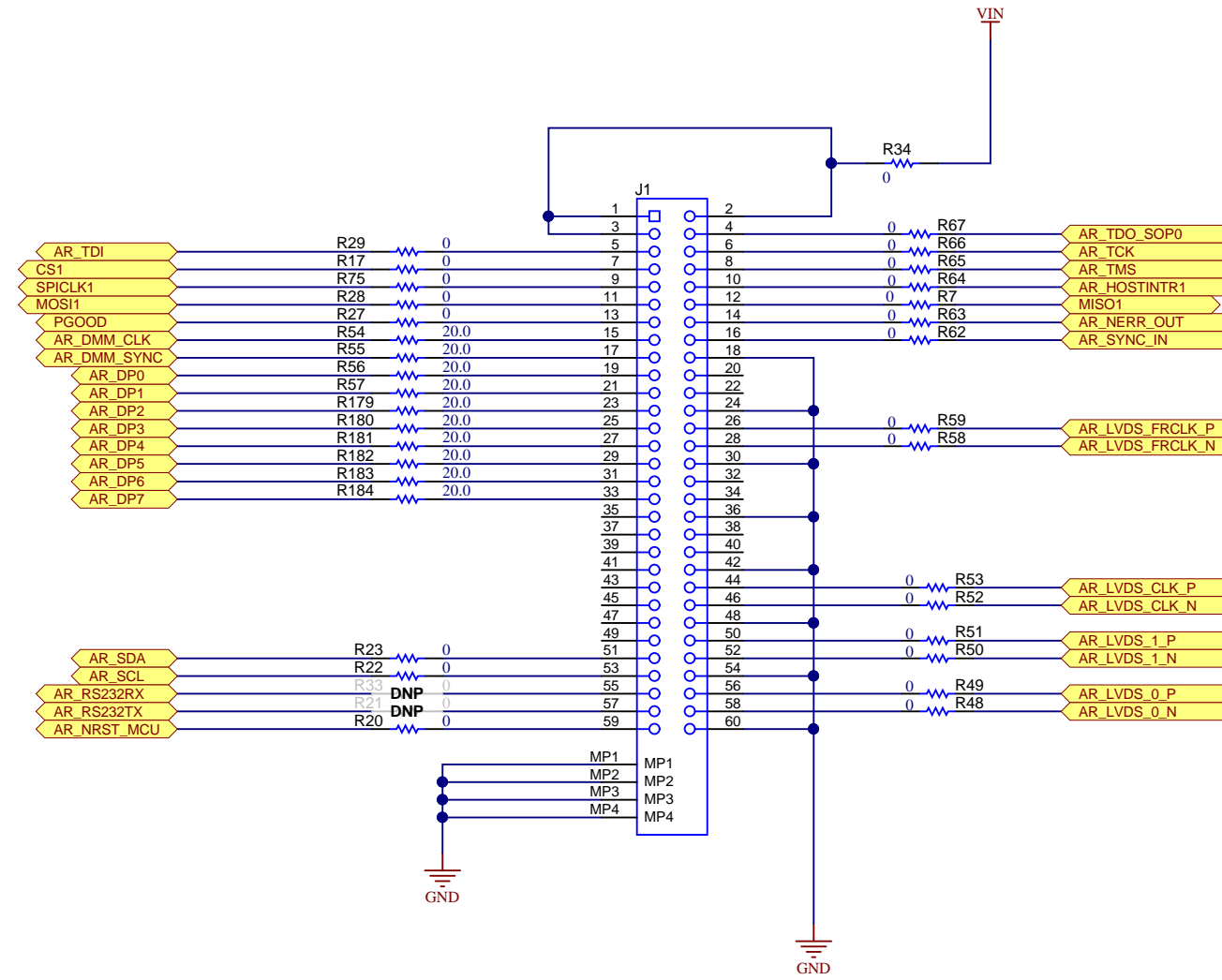
VPP SUPPLY LDO



Texas Instruments and/or its licensors do not warrant the accuracy or completeness of this specification or any information contained therein. Texas Instruments and/or its licensors do not warrant that this design will meet the specifications, will be suitable for your application or fit for any particular purpose, or will operate in an implementation. Texas Instruments and/or its licensors do not warrant that the design is production worthy. You should completely validate and test your design implementation to confirm the system functionality for your application.

Orderable: AWR1843BOOST	Designed for: Public Release	Mod. Date: 1/3/2019	 http://www.ti.com © Texas Instruments 2018
TID #: N/A	Project Title: xWR1843EVM		
Number: PROC051	Rev: C	Sheet Title: VPP_Supply	
SVN Rev: Not in version control	Assembly Variant: 001	Sheet: 9 of 16	
Drawn By: Adrian Ozer	File: PROC051C_VPP_Supply.SchDoc	Size: B	
Engineer: Adrian Ozer	Contact: http://www.ti.com/support		

HD CONNECTOR FOR LVDS/CSI AND JTAG



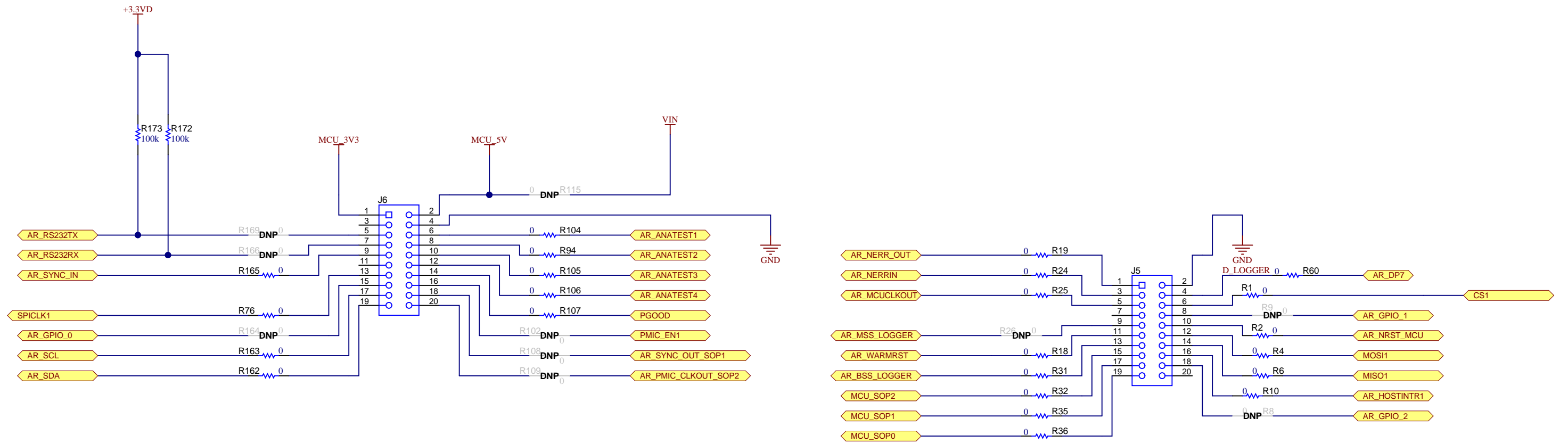
Texas Instruments and/or its licensors do not warrant the accuracy or completeness of this specification or any information contained therein. Texas Instruments and/or its licensors do not warrant that this design will meet the specifications, will be suitable for your application or fit for any particular purpose, or will operate in an implementation. Texas Instruments and/or its licensors do not warrant that the design is production worthy. You should completely validate and test your design implementation to confirm the system functionality for your application.

Orderable: AWR1843BOOST	Designed for: Public Release	Mod. Date: 1/3/2019
TID #: N/A	Project Title: xWR1843EVM	
Number: PROC051	Rev: C	Sheet Title: HD Connector
SVN Rev: Not in version control	Assembly Variant: 001	Sheet: 10 of 16
Drawn By:	File: PROC051C_HD Connector.SchDoc	Size: B
Engineer: Adrian Ozer	Contact: http://www.ti.com/support	

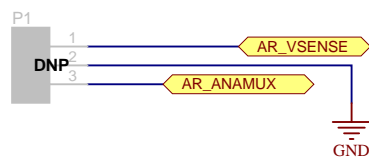


© Texas Instruments 2018

BP/LP CONNECTOR



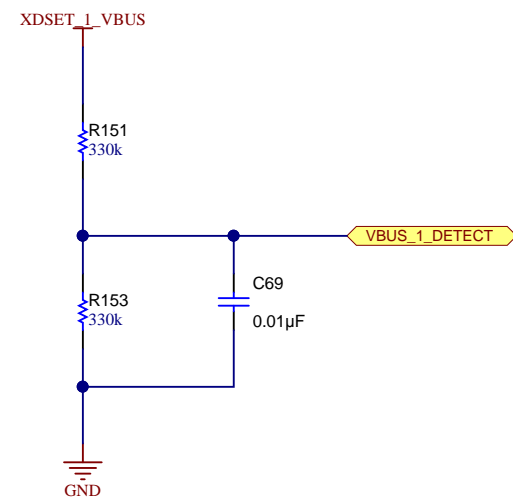
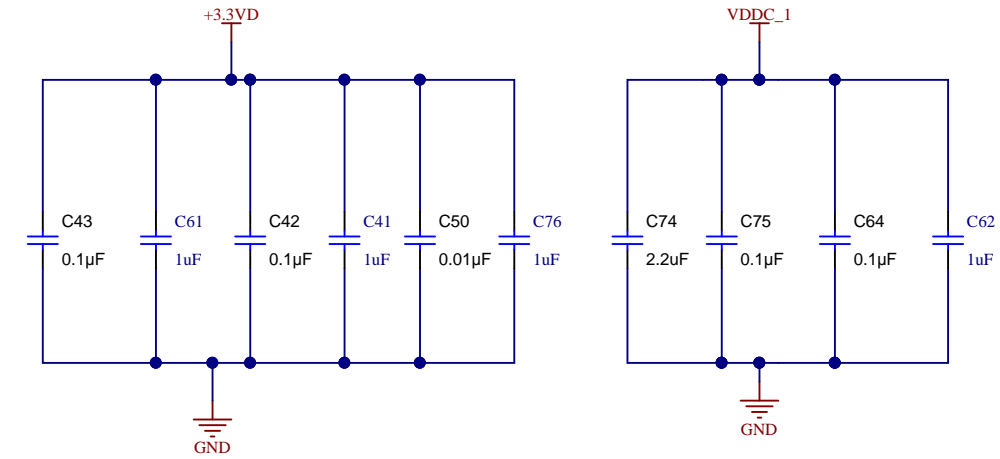
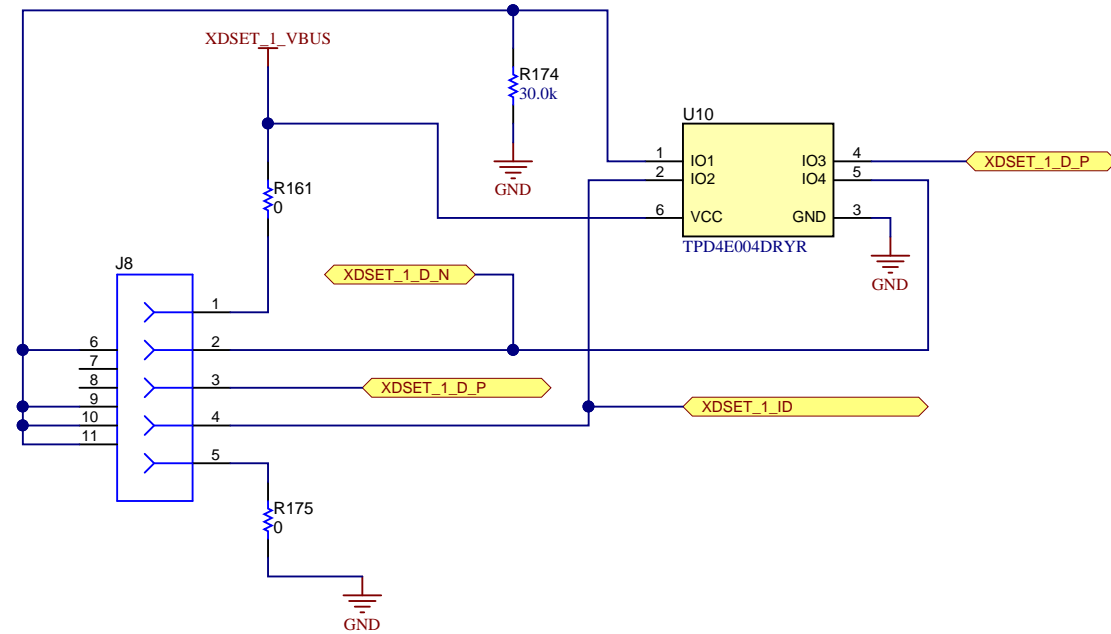
ANALOG SIGNALS



Texas Instruments and/or its licensors do not warrant the accuracy or completeness of this specification or any information contained therein. Texas Instruments and/or its licensors do not warrant that this design will meet the specifications, will be suitable for your application or fit for any particular purpose, or will operate in an implementation. Texas Instruments and/or its licensors do not warrant that the design is production worthy. You should completely validate and test your design implementation to confirm the system functionality for your application.

Orderable: AWR1843BOOST	Designed for: Public Release	Mod. Date: 1/3/2019
TID #: N/A	Project Title: xWR1843EVM	
Number: PROC051	Rev: C	Sheet Title: LP Connector
SVN Rev: Not in version control	Assembly Variant: 001	Sheet: 11 of 16
Drawn By:	File: PROC051C_LP Connector.SchDoc	Size: B
Engineer: Adrian Ozer	Contact: http://www.ti.com/support	

XDS110(1/2)

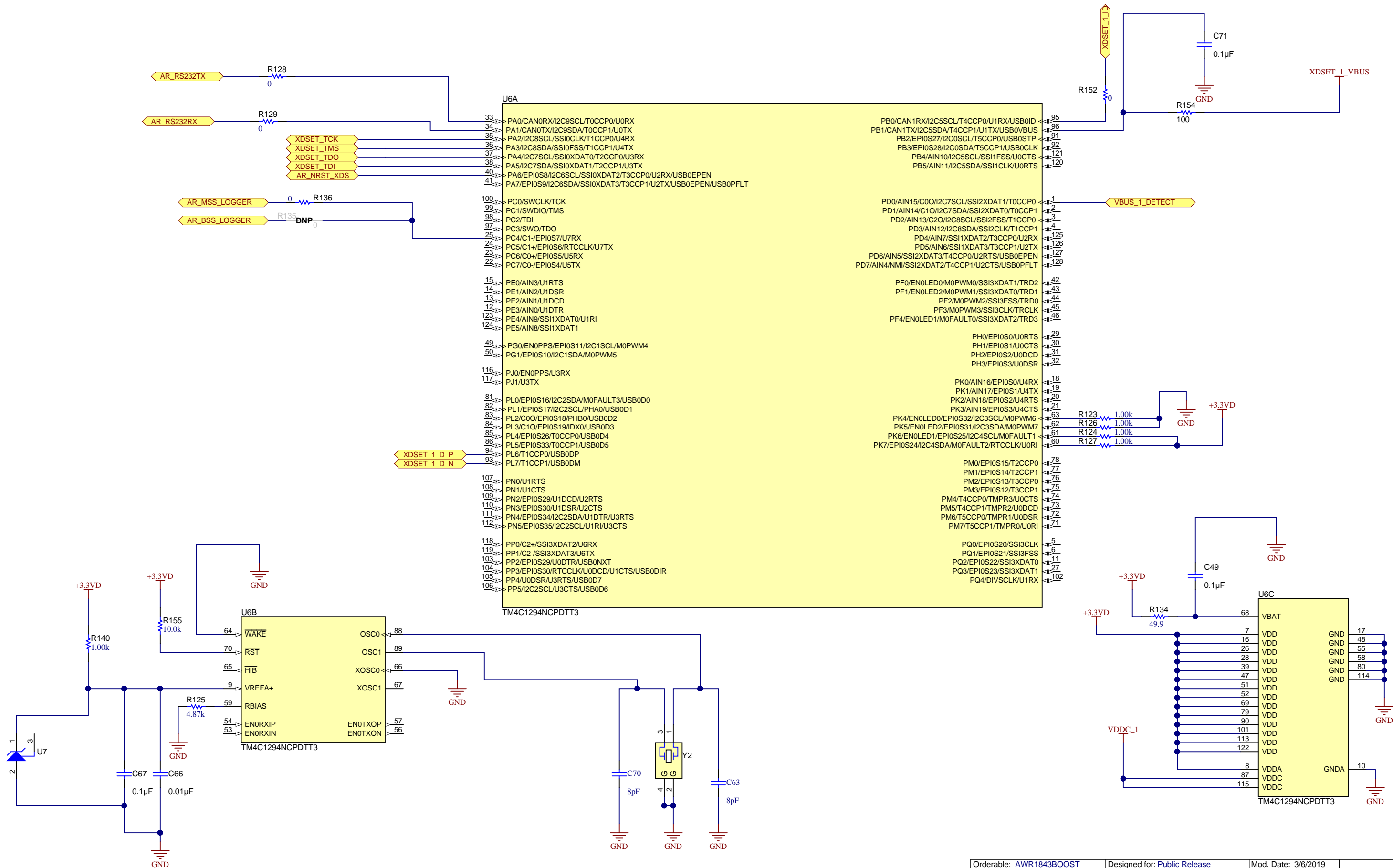


Texas Instruments and/or its licensors do not warrant the accuracy or completeness of this specification or any information contained therein. Texas Instruments and/or its licensors do not warrant that this design will meet the specifications, will be suitable for your application or fit for any particular purpose, or will operate in an implementation. Texas Instruments and/or its licensors do not warrant that the design is production worthy. You should completely validate and test your design implementation to confirm the system functionality for your application.

Orderable: AWR1843BOOST	Designed for: Public Release	Mod. Date: 1/3/2019
TID #: N/A	Project Title: xWR1843EVM	
Number: PROC051	Rev: C	Sheet Title: XDS110 Interface_1A
SVN Rev: Not in version control	Assembly Variant: 001	Sheet: 12 of 16
Drawn By:	File: PROC051C_XDS110 Interface_1A.SchDoc	Size: B
Engineer: Adrian Ozer	Contact: http://www.ti.com/support	



XDS110(2/2)

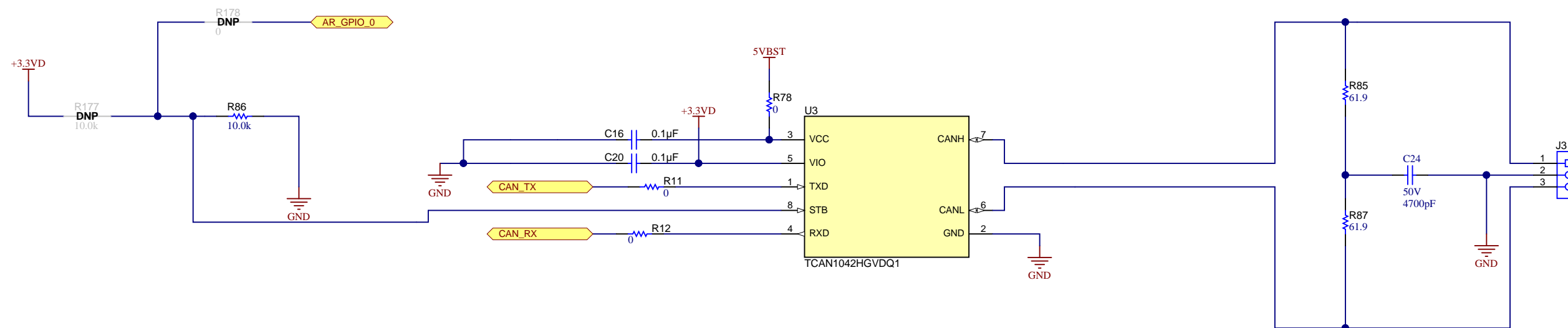


Texas Instruments and/or its licensors do not warrant the accuracy or completeness of this specification or any information contained therein. Texas Instruments and/or its licensors do not warrant that this design will meet the specifications, will be suitable for your application or fit for any particular purpose, or will operate in an implementation. Texas Instruments and/or its licensors do not warrant that the design is production worthy. You should completely validate and test your design implementation to confirm the system functionality for your application.

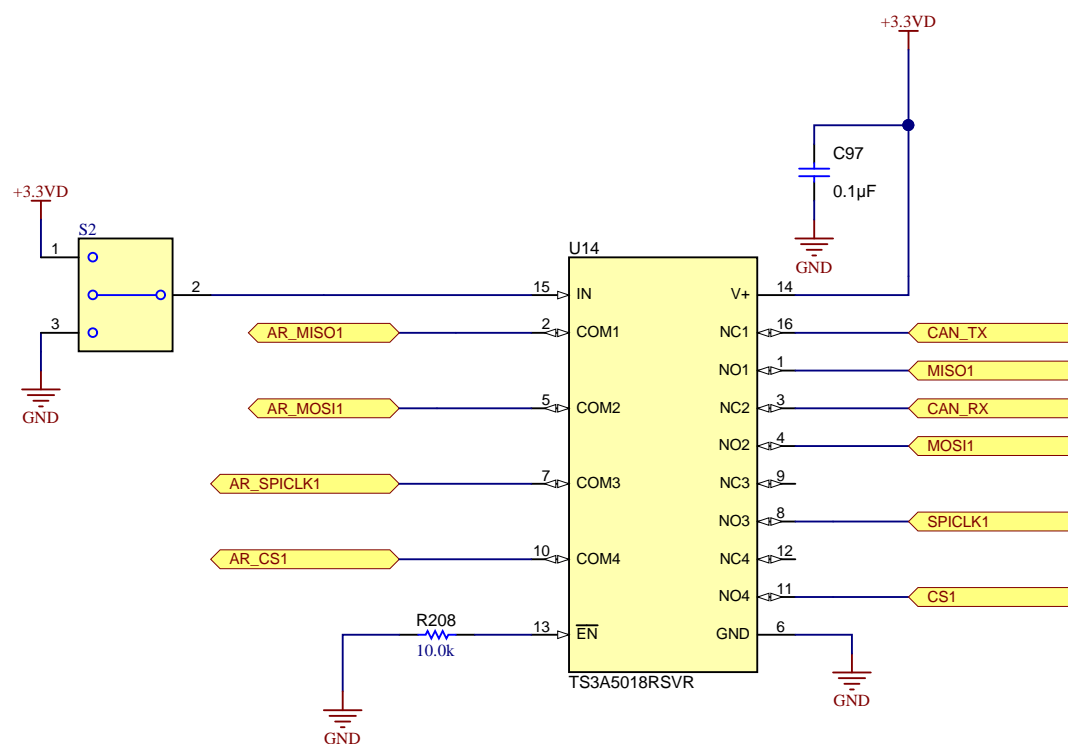
Orderable: AWR1843BOOST	Designed for: Public Release	Mod. Date: 3/6/2019
TID #: N/A	Project Title: xWR1843EVM	
Number: PROC051	Rev: C	Sheet Title: XDS110 Interface_1B
SVN Rev: Not in version control	Assembly Variant: 001	Sheet: 13 of 16
Drawn By:	File: PROC051C_XDS110 Interface_1B.SchDoc	Size: B
Engineer: Adrian Ozer	Contact: http://www.ti.com/support	



CAN INTERFACE



MUX BETWEEN SPI AND CAN INTERFACE

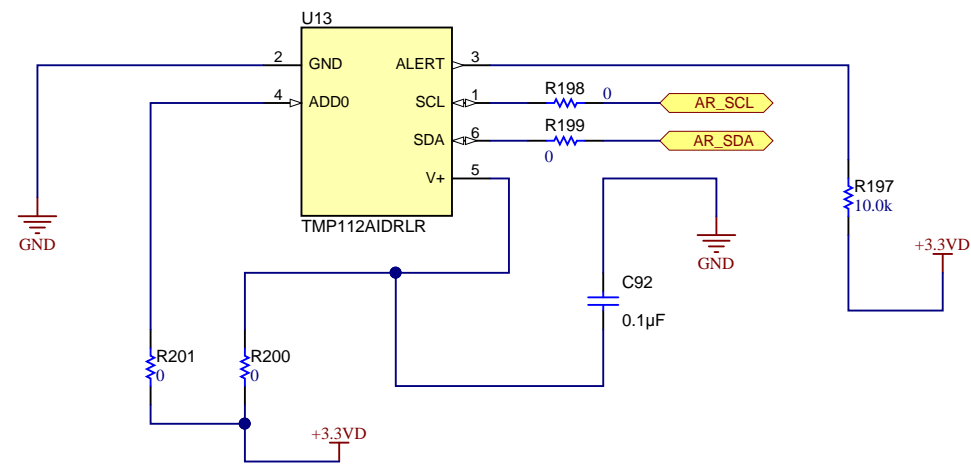


Texas Instruments and/or its licensors do not warrant the accuracy or completeness of this specification or any information contained therein. Texas Instruments and/or its licensors do not warrant that this design will meet the specifications, will be suitable for your application or fit for any particular purpose, or will operate in an implementation. Texas Instruments and/or its licensors do not warrant that the design is production worthy. You should completely validate and test your design implementation to confirm the system functionality for your application.

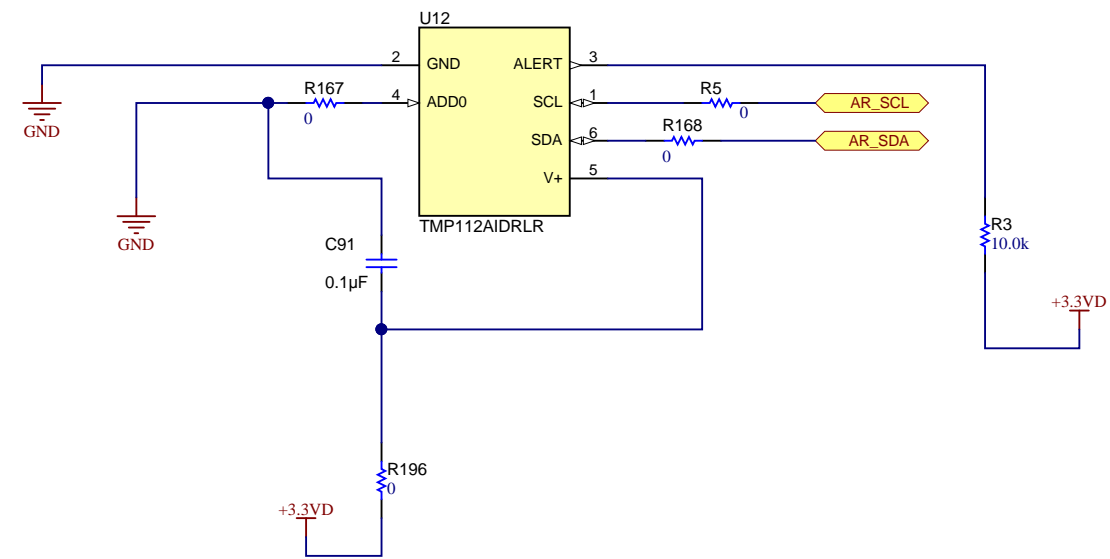
Orderable: AWR1843BOOST	Designed for: Public Release	Mod. Date: 2/20/2019
TID #: N/A	Project Title: xWR1843EVM	
Number: PROC051	Rev: C	Sheet Title: CAN Interface
SVN Rev: Not in version control	Assembly Variant: 001	Sheet: 14 of 16
Drawn By:	File: PROC051C_CAN_Interface.SchDoc	Size: B
Engineer: Adrian Ozer	Contact: http://www.ti.com/support	

ONBOARD TEMP SENSORS


**DEFAULT I2C ADDRESS 0X49
AND MMWAVE DEVICE
TEMP SENSOR AWAY FROM PMIC**

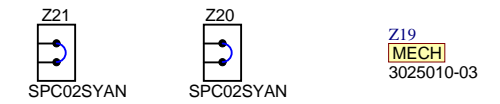
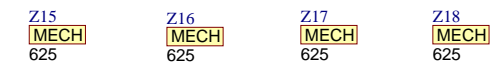
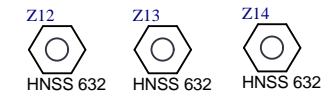
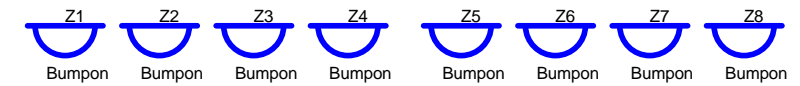


**DEFAULT I2C ADDRESS 0X48
TEMP SENSOR CLOSE TO PMIC**



Texas Instruments and/or its licensors do not warrant the accuracy or completeness of this specification or any information contained therein. Texas Instruments and/or its licensors do not warrant that this design will meet the specifications, will be suitable for your application or fit for any particular purpose, or will operate in an implementation. Texas Instruments and/or its licensors do not warrant that the design is production worthy. You should completely validate and test your design implementation to confirm the system functionality for your application.

Orderable: AWR1843BOOST	Designed for: Public Release	Mod. Date: 1/3/2019	 TEXAS INSTRUMENTS http://www.ti.com © Texas Instruments 2018
TID #: N/A	Project Title: xWR1843EVM		
Number: PROC051	Rev: C	Sheet Title: Tempsensor	
SVN Rev: Not in version control	Assembly Variant: 001	Sheet: 15 of 16	
Drawn By:	File: PROC051C_TempSensor.SchDoc	Size: B	
Engineer: Adrian Ozer	Contact: http://www.ti.com/support		



PCB LOGO
Texas Instruments

PCB LOGO
ESD Susceptible

PCB LOGO
FCC disclaimer

Works With TI LaunchPad Logo
PCB LOGO
Works With TI LaunchPad Logo

Logo4
PCB LOGO
WEEE logo



LBL1
PCB Label
Label

Variant/Label Table	
Variant	Label Text
001	AWR1843BOOST
002	IWR1843BOOST

PCB Number: PROC051
PCB Rev: C

ZZ1
Label Assembly Note
This Assembly Note is for PCB labels only

ZZ2
Assembly Note
These assemblies are ESD sensitive, ESD precautions shall be observed.

ZZ3
Assembly Note
These assemblies must be clean and free from flux and all contaminants. Use of no clean flux is not acceptable.

ZZ4
Assembly Note
These assemblies must comply with workmanship standards IPC-A-610 Class 2, unless otherwise specified.

ZZ5
Assembly Note
Micro USB cable, Brackets, Screws, Nuts, Jumpers and Bumpon need to be placed in a plastic bag

Texas Instruments and/or its licensors do not warrant the accuracy or completeness of this specification or any information contained therein. Texas Instruments and/or its licensors do not warrant that this design will meet the specifications, will be suitable for your application or fit for any particular purpose, or will operate in an implementation. Texas Instruments and/or its licensors do not warrant that the design is production worthy. You should completely validate and test your design implementation to confirm the system functionality for your application.

Orderable: AWR1843BOOST	Designed for: Public Release	Mod. Date: 2/20/2019	
TID #: N/A	Project Title: xWR1843EVM	Sheet: 16 of 16	
Number: PROC051	Rev: C	Sheet Title: Hardware	http://www.ti.com © Texas Instruments 2018
SVN Rev: Not in version control	Assembly Variant: 001	Size: B	
Drawn By: Adrian Ozer	File: PROC051C_Hardware.SchDoc	Contact: http://www.ti.com/support	

IMPORTANT NOTICE AND DISCLAIMER

TI PROVIDES TECHNICAL AND RELIABILITY DATA (INCLUDING DATASHEETS), DESIGN RESOURCES (INCLUDING REFERENCE DESIGNS), APPLICATION OR OTHER DESIGN ADVICE, WEB TOOLS, SAFETY INFORMATION, AND OTHER RESOURCES "AS IS" AND WITH ALL FAULTS, AND DISCLAIMS ALL WARRANTIES, EXPRESS AND IMPLIED, INCLUDING WITHOUT LIMITATION ANY IMPLIED WARRANTIES OF MERCHANTABILITY, FITNESS FOR A PARTICULAR PURPOSE OR NON-INFRINGEMENT OF THIRD PARTY INTELLECTUAL PROPERTY RIGHTS.

These resources are intended for skilled developers designing with TI products. You are solely responsible for (1) selecting the appropriate TI products for your application, (2) designing, validating and testing your application, and (3) ensuring your application meets applicable standards, and any other safety, security, or other requirements. These resources are subject to change without notice. TI grants you permission to use these resources only for development of an application that uses the TI products described in the resource. Other reproduction and display of these resources is prohibited. No license is granted to any other TI intellectual property right or to any third party intellectual property right. TI disclaims responsibility for, and you will fully indemnify TI and its representatives against, any claims, damages, costs, losses, and liabilities arising out of your use of these resources.

TI's products are provided subject to TI's Terms of Sale (<https://www.ti.com/legal/termsofsale.html>) or other applicable terms available either on [ti.com](https://www.ti.com) or provided in conjunction with such TI products. TI's provision of these resources does not expand or otherwise alter TI's applicable warranties or warranty disclaimers for TI products.

Mailing Address: Texas Instruments, Post Office Box 655303, Dallas, Texas 75265
Copyright © 2021, Texas Instruments Incorporated