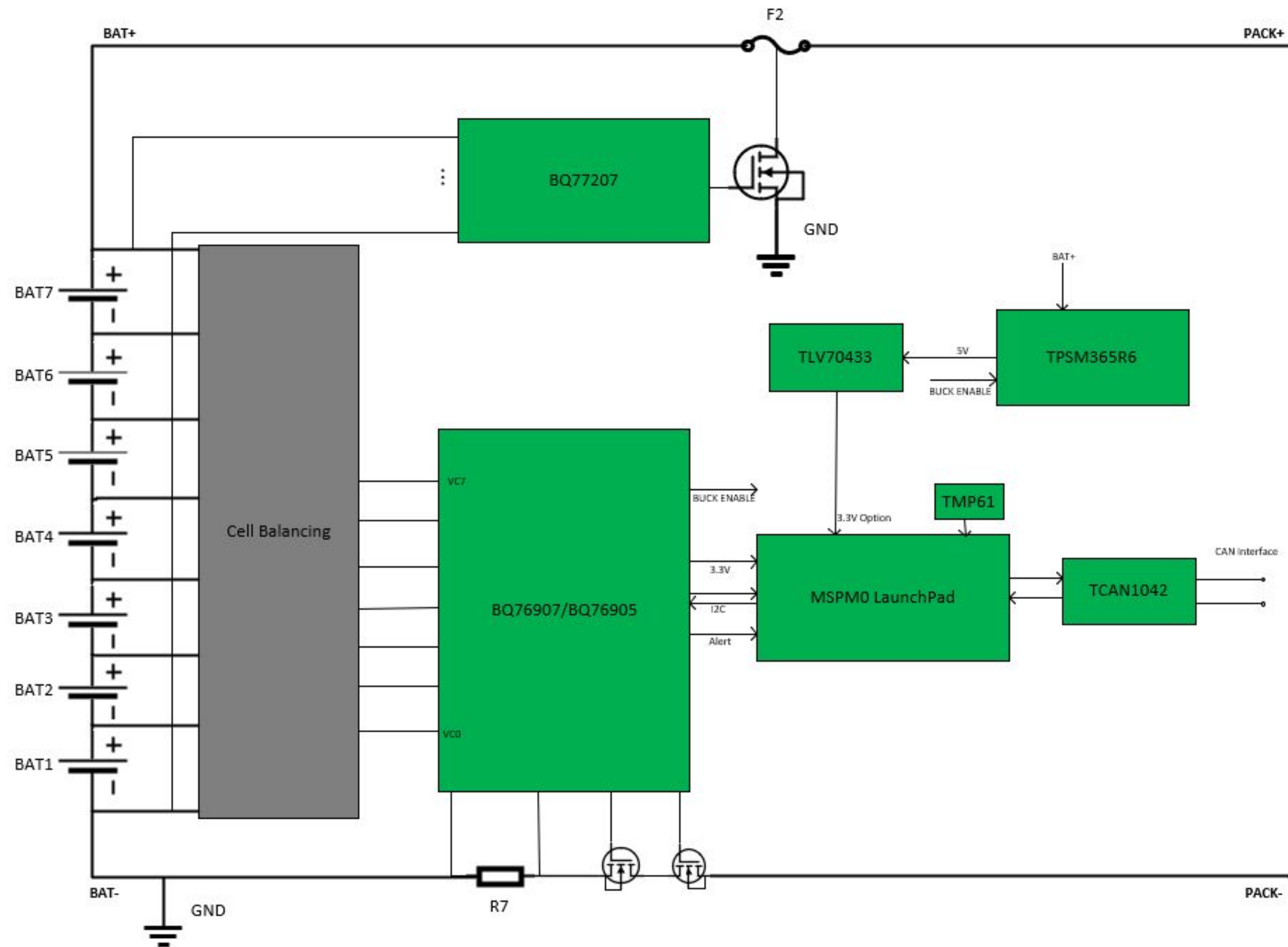


Revision History				
Rev	ECN #	Approved Date	Approved by	Notes
N/A	N/A	N/A	N/A	N/A

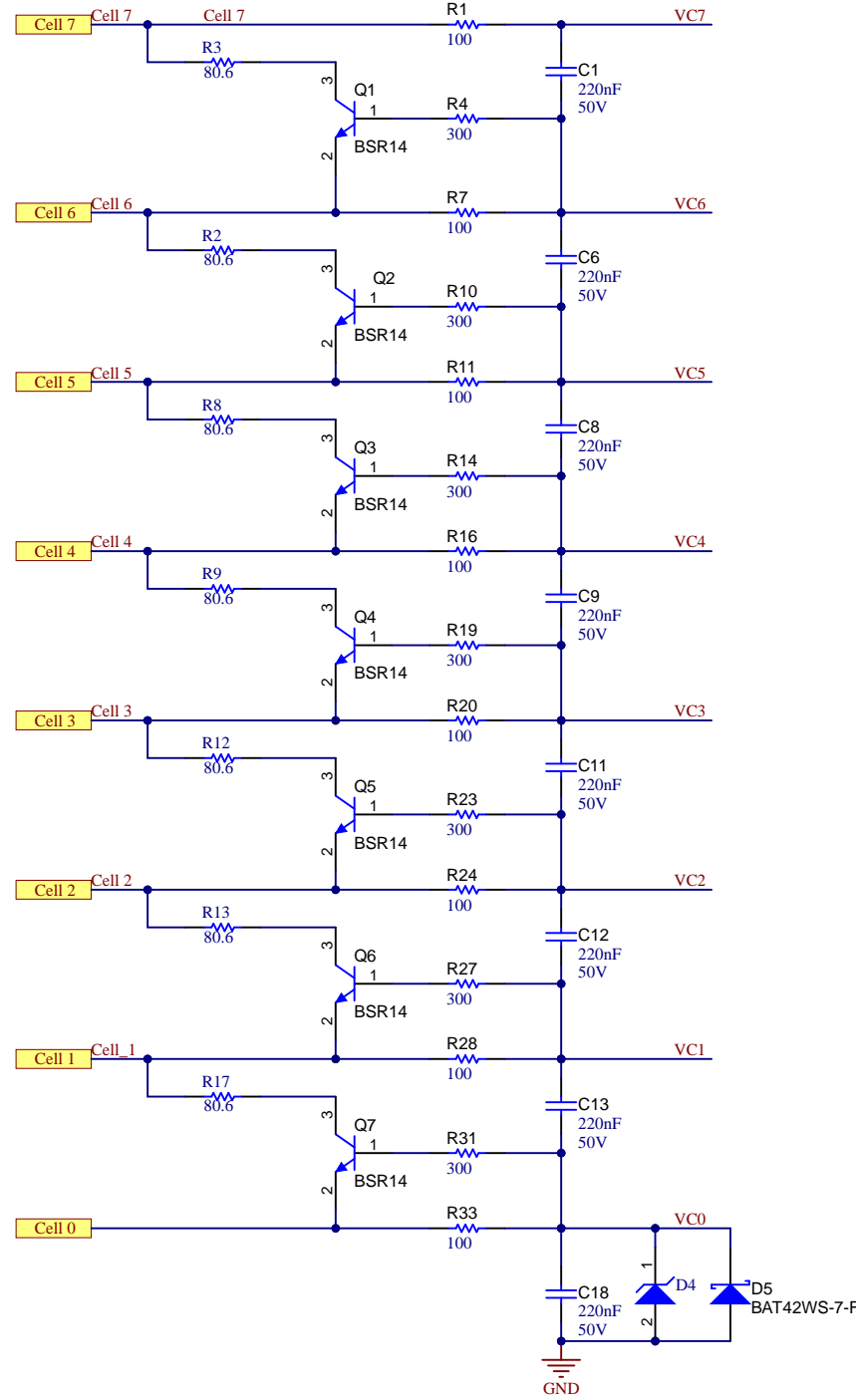


Texas Instruments and/or its licensors do not warrant the accuracy or completeness of this specification or any information contained therein. Texas Instruments and/or its licensors do not warrant that this design will meet the specifications, will be suitable for your application or fit for any particular purpose, or will operate in an implementation. Texas Instruments and/or its licensors do not warrant that the design is production worthy. You should completely validate and test your design implementation to confirm the system functionality for your application.

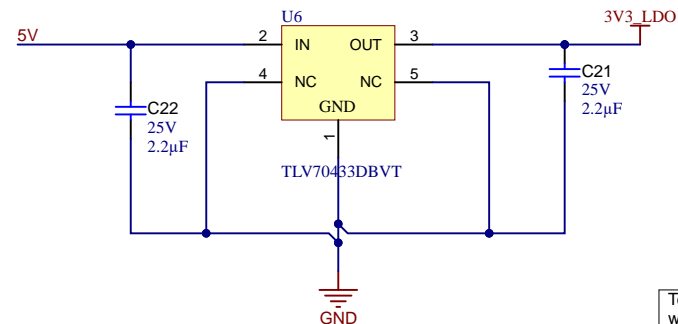
Orderable: N/A	Designed for: Public Release	Mod. Date: 11/1/2023	
TID #: TIDA-010268	Project Title: 5s-7s Battery Pack Design With Low-Side MOSFET	Sheet Title: TIDA-010268	
Number: TIDA-010268	Rev: A	Assembly Variant: 5-7s Battery Pack Design	Sheet: 1 of 4
SVN Rev: Not in version control	File: TIDA-010268.SchDoc	Size: B	http://www.ti.com
Drawn By: Jenson Fang	Contact: http://www.ti.com/support		© Texas Instruments 2023

# Cell Balance

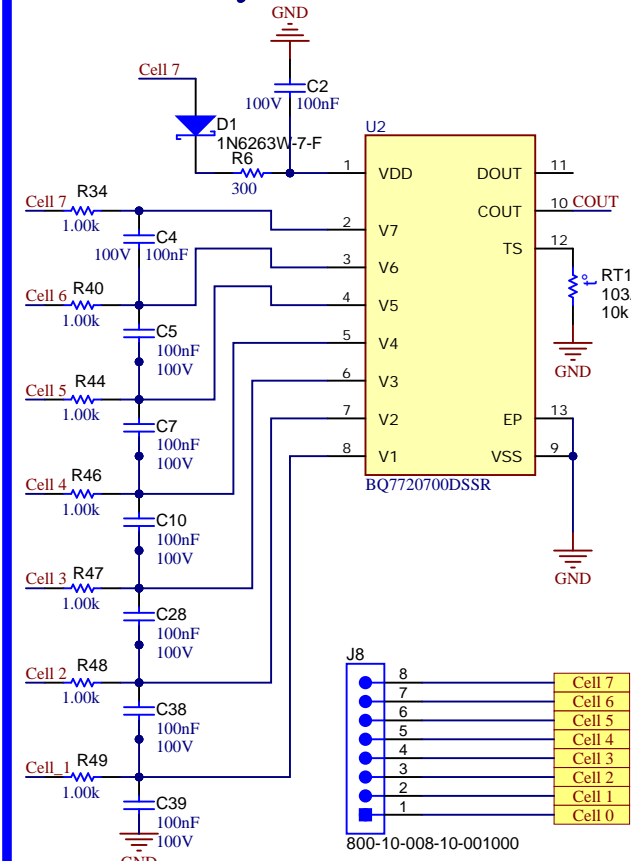
R1,R7,R11,R16,R20,R24,R28,R33 It is recommended to choose <100ohm, the data sheet recommends using 100ohm for design



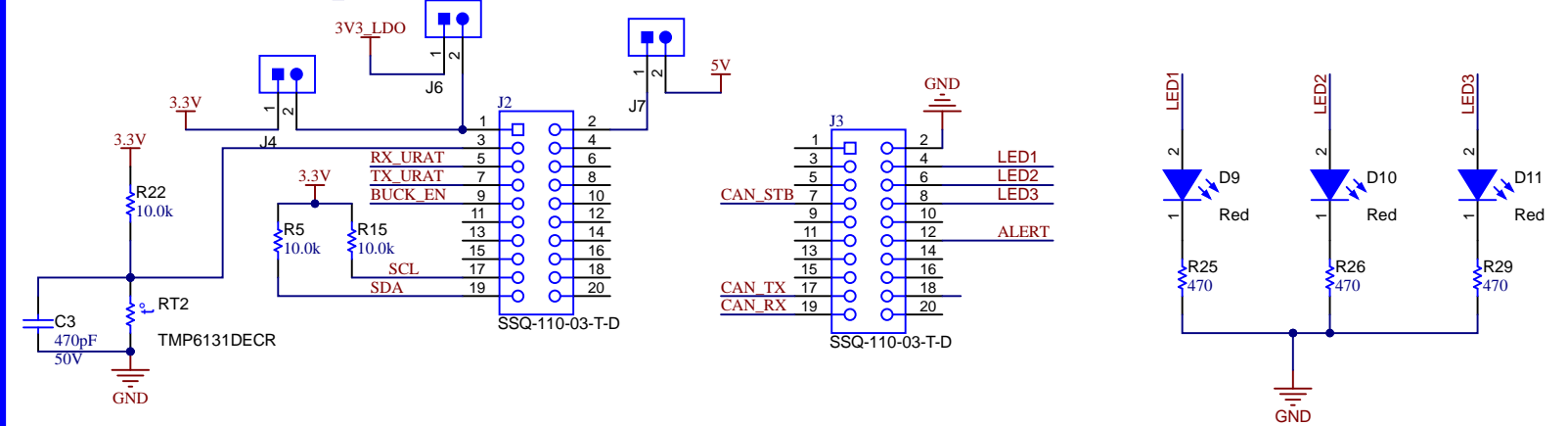
# LDO



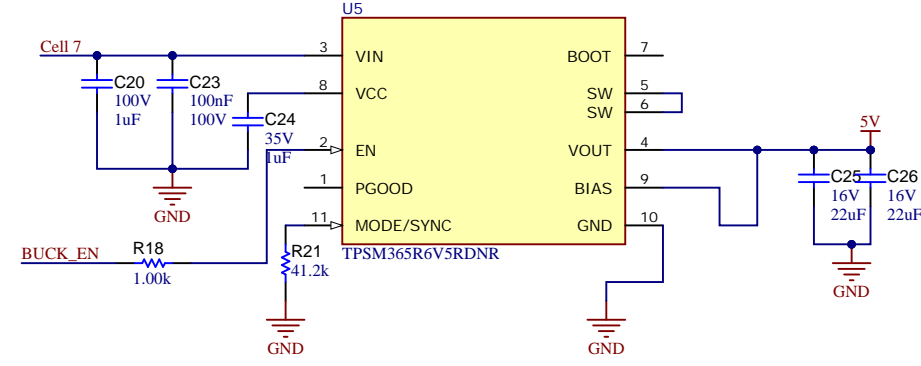
# Secondary Protection



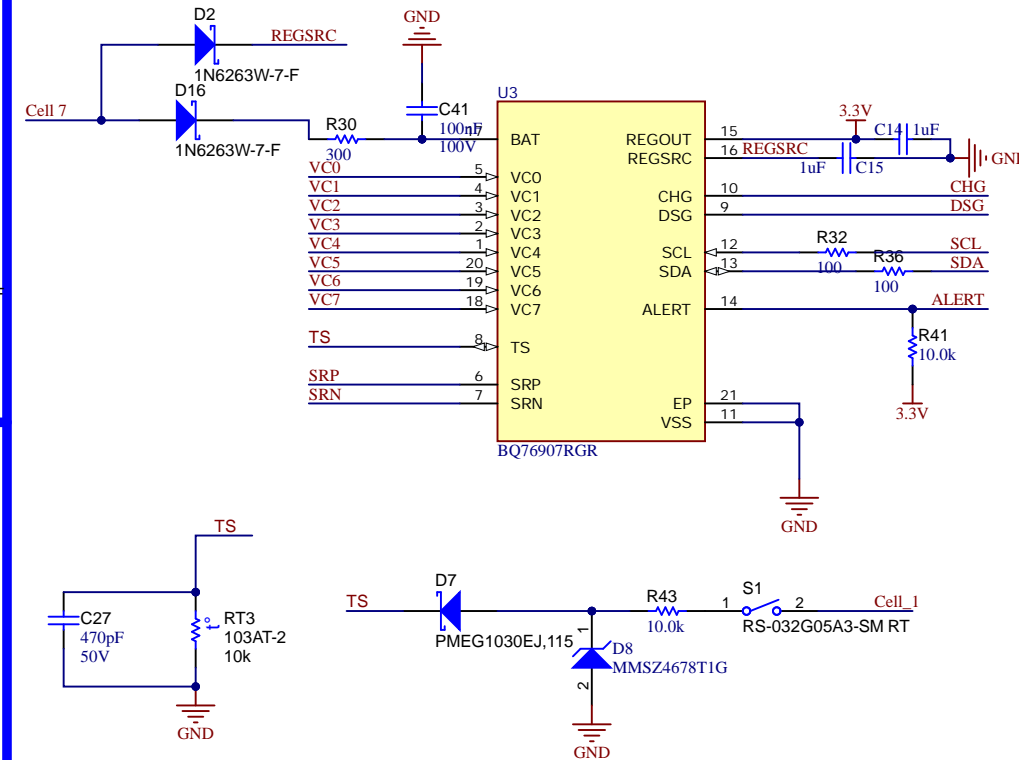
# MCU\_Boosterpack



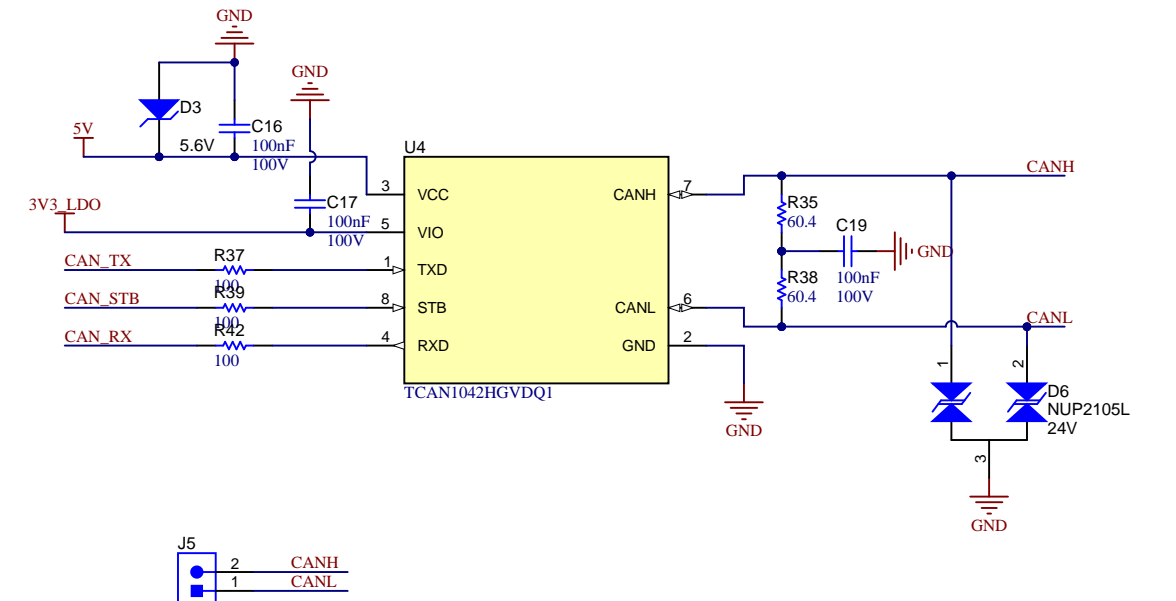
# DCDC



# Primary Protection



# Interface

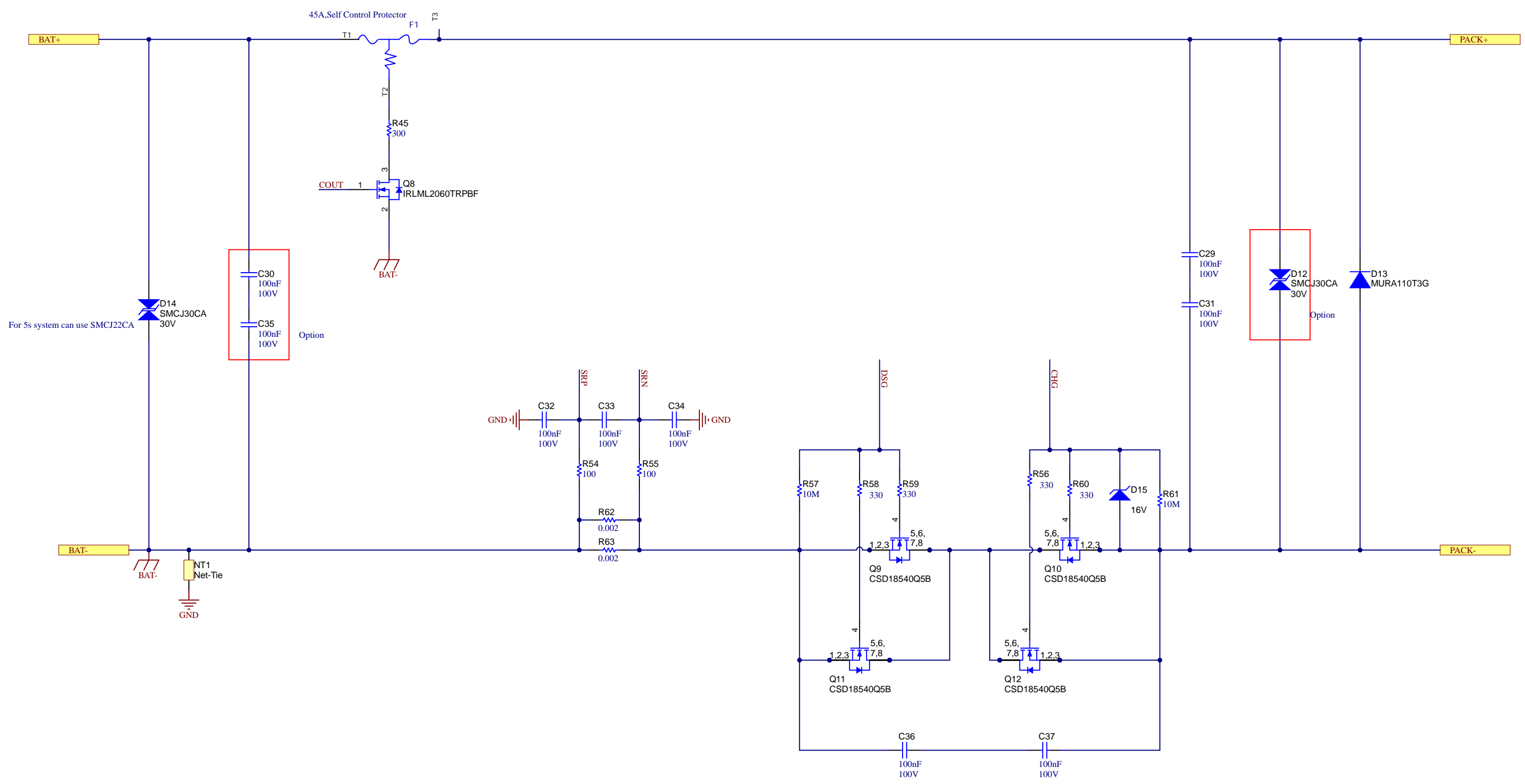


Texas Instruments and/or its licensors do not warrant the accuracy or completeness of this specification or any information contained therein. Texas Instruments and/or its licensors do not warrant that this design will meet the specifications, will be suitable for your application or fit for any particular purpose, or will operate in an implementation. Texas Instruments and/or its licensors do not warrant that the design is production worthy. You should completely validate and test your design implementation to confirm the system functionality for your application.

Orderable: N/A	Designed for: Public Release	Mod. Date: 12/20/2023
TID #: TIDA-010268	Project Title: 5s-7s Battery Pack Design With Low-Side MOSFET	
Number: TIDA-010268	Rev: A	Sheet Title: TIDA-010268
SVN Rev: Not in version control	Assembly Variant: 5-7s Battery Pack Design	Sheet: 2 of 4
Drawn By: Jenson Fang	File: TIDA-010268_Monitor and CB.SchDoc	Size: B
Engineer: Jenson Fang	Contact: <a href="http://www.ti.com/support">http://www.ti.com/support</a>	



© Texas Instruments 2023



For 5s system can use SMCJ22CA

Option

Option

Texas Instruments and/or its licensors do not warrant the accuracy or completeness of this specification or any information contained therein. Texas Instruments and/or its licensors do not warrant that this design will meet the specifications, will be suitable for your application or fit for any particular purpose, or will operate in an implementation. Texas Instruments and/or its licensors do not warrant that the design is production worthy. You should completely validate and test your design implementation to confirm the system functionality for your application.

Orderable: N/A	Designed for: Public Release	Mod. Date: 11/1/2023	<p>TEXAS INSTRUMENTS</p> <p>http://www.ti.com</p> <p>© Texas Instruments 2023</p>
TID #: TIDA-010268	Project Title: 5s-7s Battery Pack Design With Low-Side MOSFET	Sheet Title: TIDA-010268	
Number: TIDA-010268	Rev: A	Assembly Variant: 5-7s Battery Pack Design	
SVN Rev: Not in version control	File: TIDA-010268_Power Rail.SchDoc	Size: B	
Drawn By: Jenson Fang	Contact: http://www.ti.com/support		
Engineer: Jenson Fang			

PCB  
LOGO  
Texas Instruments



LOGO3



CE Mark

Logo4  
PCB  
LOGO  
ESD Susceptible

PCB  
LOGO  
FCC disclaimer



PCB Number: TIDA-010268  
PCB Rev: A

LBL1  
PCB Label  
THT-14-423-10  
Size: 0.65" x 0.20"

Variant/Label Table	
Variant	Label Text
001	ChangeMe!
002	ChangeMe!

Orderable: N/A	Designed for: Public Release	Mod. Date: 12/11/2023	<p>TEXAS INSTRUMENTS</p> <p>http://www.ti.com</p> <p>© Texas Instruments 2023</p>
TID #: TIDA-010268	Project Title: 5s-7s Battery Pack Design With Low-Side MOSFET		
Number: TIDA-010268   Rev: A	Sheet Title: TIDA-010268		
SVN Rev: Not in version control	Assembly Variant: 5-7s Battery Pack Design	Sheet: 4 of 4	
Drawn By: Jenson Fang	File: TIDA-010268_Hardware.SchDoc	Size: B	
Engineer: Jenson Fang	Contact: http://www.ti.com/support		

Texas Instruments and/or its licensors do not warrant the accuracy or completeness of this specification or any information contained therein. Texas Instruments and/or its licensors do not warrant that this design will meet the specifications, will be suitable for your application or fit for any particular purpose, or will operate in an implementation. Texas Instruments and/or its licensors do not warrant that the design is production worthy. You should completely validate and test your design implementation to confirm the system functionality for your application.

## IMPORTANT NOTICE AND DISCLAIMER

TI PROVIDES TECHNICAL AND RELIABILITY DATA (INCLUDING DATA SHEETS), DESIGN RESOURCES (INCLUDING REFERENCE DESIGNS), APPLICATION OR OTHER DESIGN ADVICE, WEB TOOLS, SAFETY INFORMATION, AND OTHER RESOURCES "AS IS" AND WITH ALL FAULTS, AND DISCLAIMS ALL WARRANTIES, EXPRESS AND IMPLIED, INCLUDING WITHOUT LIMITATION ANY IMPLIED WARRANTIES OF MERCHANTABILITY, FITNESS FOR A PARTICULAR PURPOSE OR NON-INFRINGEMENT OF THIRD PARTY INTELLECTUAL PROPERTY RIGHTS.

These resources are intended for skilled developers designing with TI products. You are solely responsible for (1) selecting the appropriate TI products for your application, (2) designing, validating and testing your application, and (3) ensuring your application meets applicable standards, and any other safety, security, regulatory or other requirements.

These resources are subject to change without notice. TI grants you permission to use these resources only for development of an application that uses the TI products described in the resource. Other reproduction and display of these resources is prohibited. No license is granted to any other TI intellectual property right or to any third party intellectual property right. TI disclaims responsibility for, and you will fully indemnify TI and its representatives against, any claims, damages, costs, losses, and liabilities arising out of your use of these resources.

TI's products are provided subject to [TI's Terms of Sale](#) or other applicable terms available either on [ti.com](https://www.ti.com) or provided in conjunction with such TI products. TI's provision of these resources does not expand or otherwise alter TI's applicable warranties or warranty disclaimers for TI products.

TI objects to and rejects any additional or different terms you may have proposed.

Mailing Address: Texas Instruments, Post Office Box 655303, Dallas, Texas 75265  
Copyright © 2024, Texas Instruments Incorporated