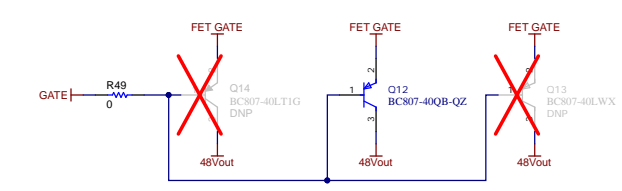
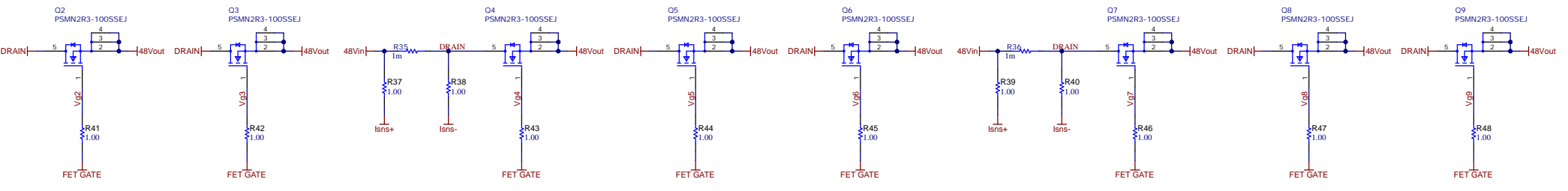
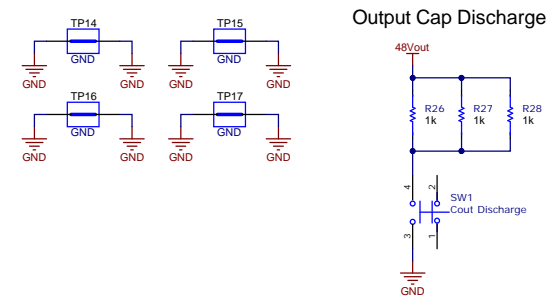
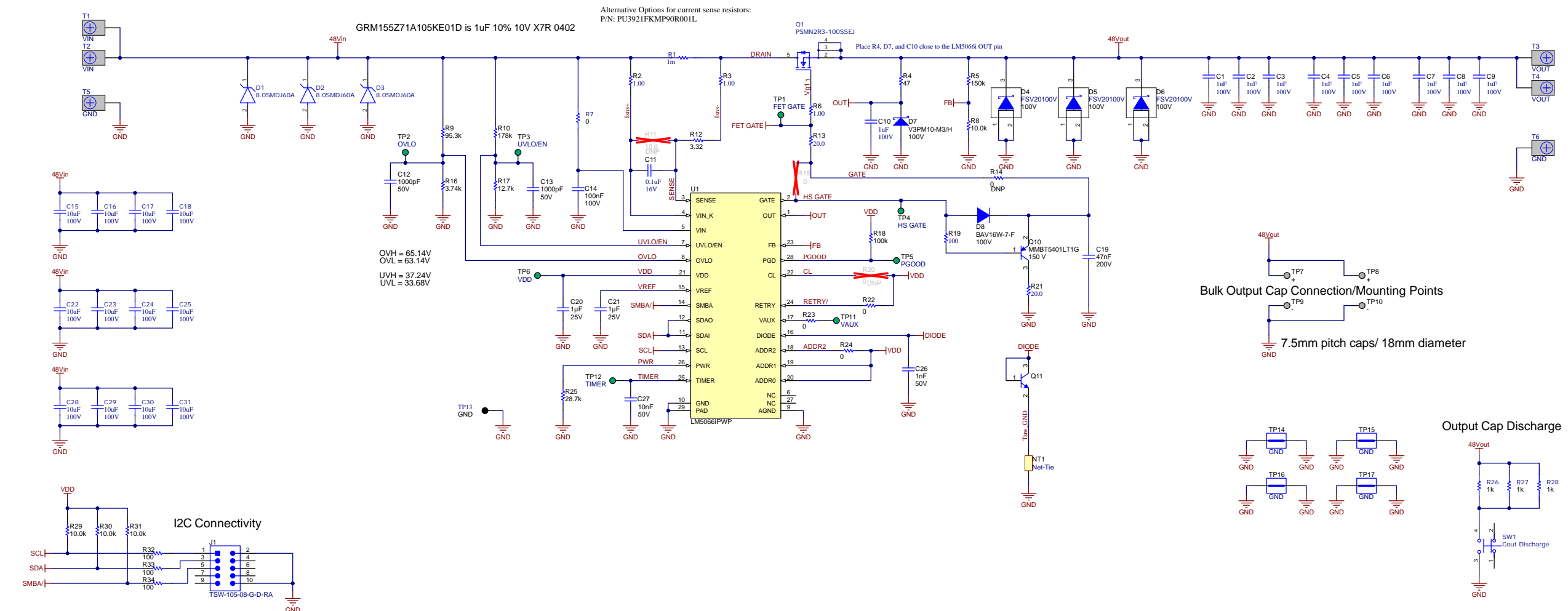


Input Voltage = 40Vin to 60Vin

4.5kW Continuous
(7kW Peak)



Preliminary

Only install one of Q12, Q13, or Q14 depending on which package variant is available/desired.

Texas Instruments and/or its licensors do not warrant the accuracy or completeness of this specification or any information contained therein. Texas Instruments and/or its licensors do not warrant that this design will meet the specifications, will be suitable for your application or fit for any particular purpose, or will operate in an implementation. Texas Instruments and/or its licensors do not warrant that the design is production worthy. You should completely validate and test your design implementation to confirm the system functionality for your application.

Orderable: ChangeMe in variant	Designed for: IMod, Date: 21-05-2024	
TID #: PMP23496	Project Title: LM5066i Hot Swap Circuit 7kW Peak	
Number: PMP23496	Rev: -1	
SVN Rev: Not in version control	Sheet Title: Assembly Variant: 001	
Drawn By: Engineer: Hrag Kasparian	File: PMP23496_Schematic.SchDoc	
	Sheet: 1 of 2	Size: C
	http://www.ti.com	
	Contact: http://www.ti.com/support	

H1 NY PMS 440 0025 PH
 H2 NY PMS 440 0025 PH
 H3 NY PMS 440 0025 PH
 H4 NY PMS 440 0025 PH

H5 1902C
 H6 1902C
 H7 1902C
 H8 1902C

~~FID1~~ ~~FID2~~ ~~FID3~~

PCB Number: PMP23496
 PCB Rev: A



PCB LOGO
 FCC disclaimer

PCB LOGO
 WEEE logo

Variant/Label Table

Variant	Label Text
001	

LBL1
 PCB Label
 THT-14-423-10
 Size: 0.65" x 0.20 "

Orderable: ChangeMe in variant	Designed for:	Mod. Date: 05-03-2024	 http://www.ti.com © Texas Instruments 2024
TID #: PMP23496	Project Title: LM5066i Hot Swap Circuit 7kW Peak		
Number: PMP23496	Rev: -1	Sheet Title:	
SVN Rev: Not in version control	Assembly Variant: 001	Sheet: 2 of 2	
Drawn By:	File: PMP23496_Hardware.SchDoc	Size: B	
Engineer: Hrag Kasparian	Contact: http://www.ti.com/support		

Texas Instruments and/or its licensors do not warrant the accuracy or completeness of this specification or any information contained therein. Texas Instruments and/or its licensors do not warrant that this design will meet the specifications, will be suitable for your application or fit for any particular purpose, or will operate in an implementation. Texas Instruments and/or its licensors do not warrant that the design is production worthy. You should completely validate and test your design implementation to confirm the system functionality for your application.

IMPORTANT NOTICE AND DISCLAIMER

TI PROVIDES TECHNICAL AND RELIABILITY DATA (INCLUDING DATA SHEETS), DESIGN RESOURCES (INCLUDING REFERENCE DESIGNS), APPLICATION OR OTHER DESIGN ADVICE, WEB TOOLS, SAFETY INFORMATION, AND OTHER RESOURCES "AS IS" AND WITH ALL FAULTS, AND DISCLAIMS ALL WARRANTIES, EXPRESS AND IMPLIED, INCLUDING WITHOUT LIMITATION ANY IMPLIED WARRANTIES OF MERCHANTABILITY, FITNESS FOR A PARTICULAR PURPOSE OR NON-INFRINGEMENT OF THIRD PARTY INTELLECTUAL PROPERTY RIGHTS.

These resources are intended for skilled developers designing with TI products. You are solely responsible for (1) selecting the appropriate TI products for your application, (2) designing, validating and testing your application, and (3) ensuring your application meets applicable standards, and any other safety, security, regulatory or other requirements.

These resources are subject to change without notice. TI grants you permission to use these resources only for development of an application that uses the TI products described in the resource. Other reproduction and display of these resources is prohibited. No license is granted to any other TI intellectual property right or to any third party intellectual property right. TI disclaims responsibility for, and you will fully indemnify TI and its representatives against, any claims, damages, costs, losses, and liabilities arising out of your use of these resources.

TI's products are provided subject to [TI's Terms of Sale](#) or other applicable terms available either on [ti.com](https://www.ti.com) or provided in conjunction with such TI products. TI's provision of these resources does not expand or otherwise alter TI's applicable warranties or warranty disclaimers for TI products.

TI objects to and rejects any additional or different terms you may have proposed.

Mailing Address: Texas Instruments, Post Office Box 655303, Dallas, Texas 75265
Copyright © 2024, Texas Instruments Incorporated