

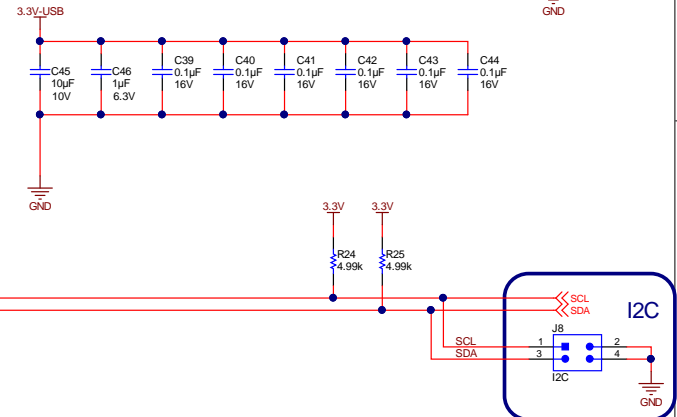
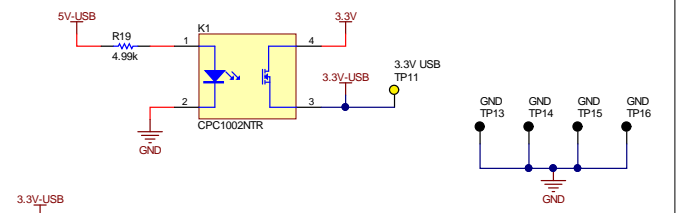
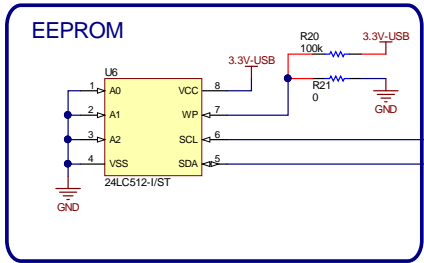
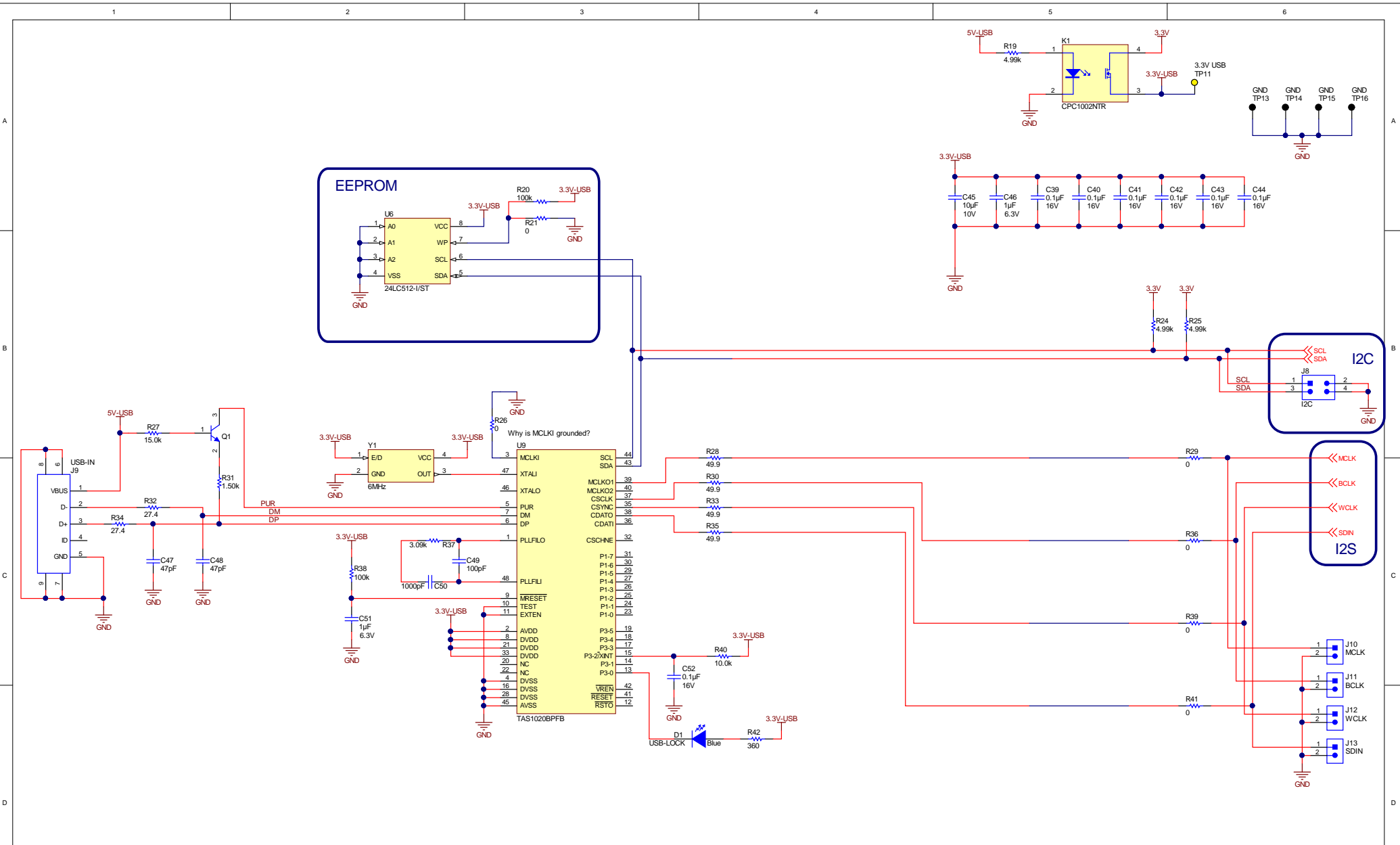
Choose new microphone and figure out how to bias it

Texas Instruments and/or its licensors do not warrant the accuracy or completeness of this specification or any information contained therein. Texas Instruments and/or its licensors do not warrant that this design will meet the specifications, will be suitable for your application or fit for any particular purpose, or will operate in an implementation. Texas Instruments and/or its licensors do not warrant that the design is production worthy. You should completely validate and test your design implementation to confirm the system functionality for your application.

Orderable: N/A	Designed for: Public Release	Mod. Date: 11/23/2015
TID #: TIDA-00724	Project Title: eCall Audio TI Design	
Number: TIDA-00724 Rev: A	Sheet Title:	
SVN Rev: Not in version control	Assembly Variant: [No Variations]	Sheet: 2 of 3
Drawn By:	File: TIDA-00724_Audio_SchDoc	Size: B
Engineer: Clancy Soehren	Contact: http://www.ti.com/support	



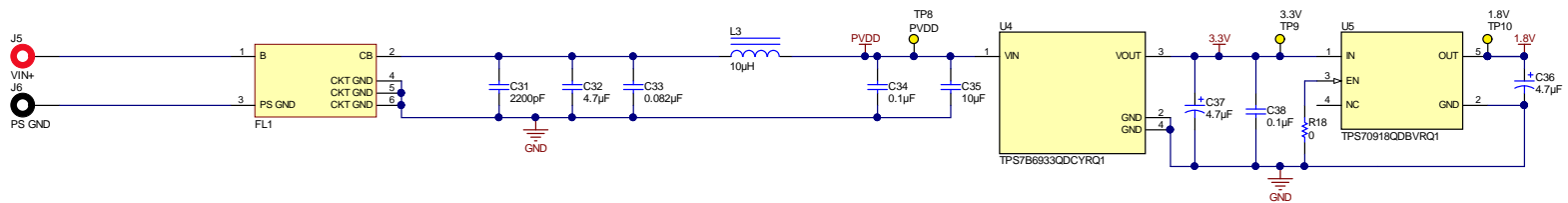
©Texas Instruments 2015



Texas Instruments and/or its licensors do not warrant the accuracy or completeness of this specification or any information contained therein. Texas Instruments and/or its licensors do not warrant that this design will meet the specifications, will be suitable for your application or fit for any particular purpose, or will operate in an implementation. Texas Instruments and/or its licensors do not warrant that the design is production worthy. You should completely validate and test your design implementation to confirm the system functionality for your application.

Orderable: N/A	Designed for: Public Release	Mod. Date: 11/23/2015
TID #: TIDA-00724	Project Title: eCall Audio TI Design	
Number: TIDA-00724 Rev. A	Sheet Title:	
SVM Rev. Not in version control	Assembly Variant: [No Variations]	Sheet: 2 of 3
Drawn By:	File: TIDA-00724_TAS1020_SchDoc	Size: B
Engineer: Clancy Soehren	Contact: http://www.ti.com/support	





Texas Instruments and/or its licensors do not warrant the accuracy or completeness of this specification or any information contained therein. Texas Instruments and/or its licensors do not warrant that this design will meet the specifications, will be suitable for your application or fit for any particular purpose, or will operate in an implementation. Texas Instruments and/or its licensors do not warrant that the design is production worthy. You should completely validate and test your design implementation to confirm the system functionality for your application.

Orderable: N/A	Designed for: Public Release	Mod. Date: 1/9/2019
TID #: TIDA-00724	Project Title: eCall Audio TI Design	
Number: TIDA-00724 Rev: A	Sheet Title:	
SVN Rev: Not in version control	Assembly Variant: [No Variations]	Sheet: 2 of 3
Drawn By:	File: TIDA-00724_Power_SchDoc	Size: B
Engineer: Clancy Soehren	Contact: http://www.ti.com/support	



H1 1
NY PMS 440 0025 PH

H2 1
NY PMS 440 0025 PH

H3 1
NY PMS 440 0025 PH

H4 1
NY PMS 440 0025 PH

H5
1902C

H6
1902C

H7
1902C

H8
1902C

FID1

FID2

FID3

PCB Number: TIDA-00724
PCB Rev: A

PCB
LOGO
Texas Instruments

PCB
LOGO
Pb-Free Symbol

Label Table	
Variant	Label Text
001	TIDA-00724

ZZ1
Assembly Note
These assemblies are ESD sensitive, ESD precautions shall be observed.

ZZ2
Assembly Note
These assemblies must be clean and free from flux and all contaminants. Use of no clean flux is not acceptable.

ZZ3
Assembly Note
These assemblies must comply with workmanship standards IPC-A-610 Class 2, unless otherwise specified.

Texas Instruments and/or its licensors do not warrant the accuracy or completeness of this specification or any information contained therein. Texas Instruments and/or its licensors do not warrant that this design will meet the specifications, will be suitable for your application or fit for any particular purpose, or will operate in an implementation. Texas Instruments and/or its licensors do not warrant that the design is production worthy. You should completely validate and test your design implementation to confirm the system functionality for your application.

Orderable: NA	Designed for: Public Release	Mod. Date: 11/23/2015
TID #: TIDA-00724	Project Title: eCall Audio TI Design	
Number: TIDA-00724 Rev: A	Sheet Title:	
SVN Rev: Not in version control	Assembly Variant: [No Variations]	Sheet: 3 of 3
Drawn By:	File: TIDA-00724 Hardware.SchDoc	Size: B
Engineer: Clancy Soehren	Contact: http://www.ti.com/support	



©Texas Instruments 2015

IMPORTANT NOTICE AND DISCLAIMER

TI PROVIDES TECHNICAL AND RELIABILITY DATA (INCLUDING DATASHEETS), DESIGN RESOURCES (INCLUDING REFERENCE DESIGNS), APPLICATION OR OTHER DESIGN ADVICE, WEB TOOLS, SAFETY INFORMATION, AND OTHER RESOURCES "AS IS" AND WITH ALL FAULTS, AND DISCLAIMS ALL WARRANTIES, EXPRESS AND IMPLIED, INCLUDING WITHOUT LIMITATION ANY IMPLIED WARRANTIES OF MERCHANTABILITY, FITNESS FOR A PARTICULAR PURPOSE OR NON-INFRINGEMENT OF THIRD PARTY INTELLECTUAL PROPERTY RIGHTS.

These resources are intended for skilled developers designing with TI products. You are solely responsible for (1) selecting the appropriate TI products for your application, (2) designing, validating and testing your application, and (3) ensuring your application meets applicable standards, and any other safety, security, or other requirements. These resources are subject to change without notice. TI grants you permission to use these resources only for development of an application that uses the TI products described in the resource. Other reproduction and display of these resources is prohibited. No license is granted to any other TI intellectual property right or to any third party intellectual property right. TI disclaims responsibility for, and you will fully indemnify TI and its representatives against, any claims, damages, costs, losses, and liabilities arising out of your use of these resources.

TI's products are provided subject to TI's Terms of Sale (www.ti.com/legal/termsofsale.html) or other applicable terms available either on ti.com or provided in conjunction with such TI products. TI's provision of these resources does not expand or otherwise alter TI's applicable warranties or warranty disclaimers for TI products.

Mailing Address: Texas Instruments, Post Office Box 655303, Dallas, Texas 75265
Copyright © 2019, Texas Instruments Incorporated