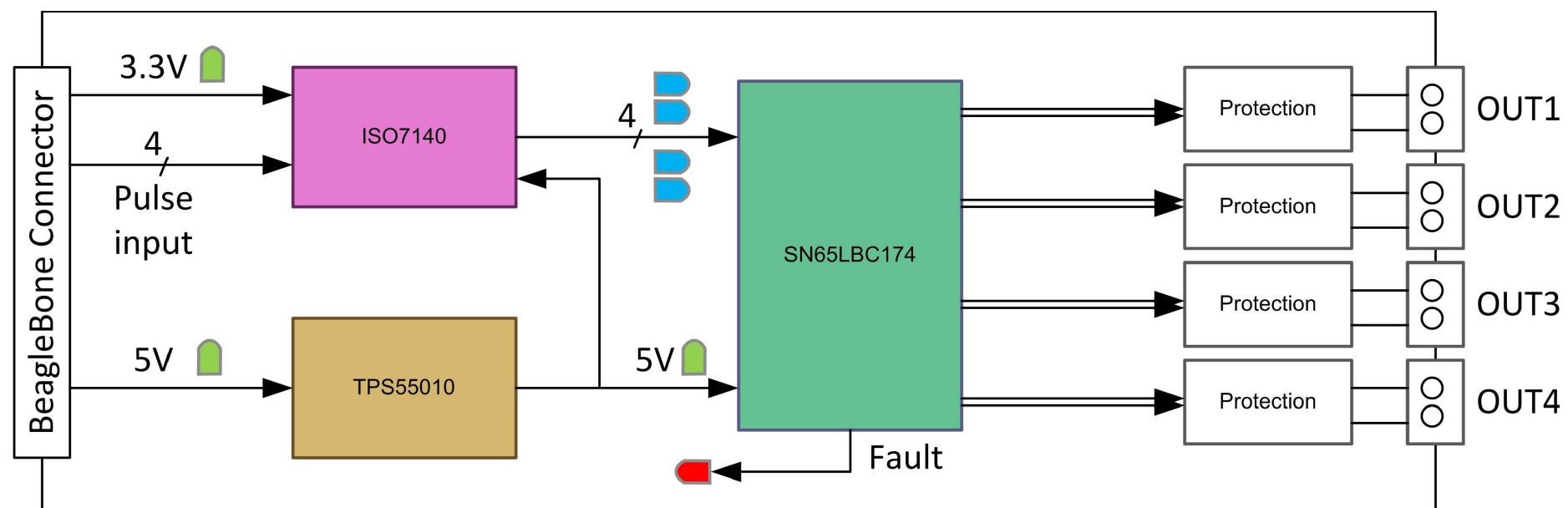

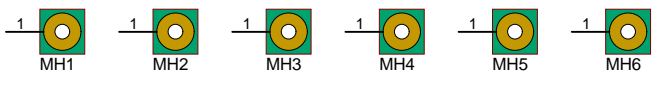


Revision History				
Rev	ECN #	Approved Date	Approved by	Notes
N/A	N/A	N/A	N/A	N/A



Texas Instruments and/or its licensors do not warrant the accuracy or completeness of this specification or any information contained therein. Texas Instruments and/or its licensors do not warrant that this design will meet the specifications, will be suitable for your application or fit for any particular purpose, or will operate in an implementation. Texas Instruments and/or its licensors do not warrant that the design is production worthy. You should completely validate and test your design implementation to confirm the system functionality for your application.

Orderable: N/A	Designed for: Public Release	Mod. Date: 7/28/2016	 http://www.ti.com © Texas Instruments 2016
TID #: TIDA-00766	Project Title: Pulse Train Output Module for PLC		
Number: TIDA-00766	Rev: E1	Sheet Title:	
SVN Rev: Version control disabled	Assembly Variant: 001	Sheet: 1 of 5	
Drawn By: Ahmed Noeman	File: TIDA-00766_PTO_module_CoverSheet.SchDot	Size: B	
Engineer: Ahmed Noeman	Contact: http://www.ti.com/support		



H13
MECH
1841161

H14
MECH
1841161



PCB Number: TIDA-00766
PCB Rev: E1

PCB LOGO
Pb-Free Symbol
FCC disclaimer

Variant/Label Table	
Variant	Label Text
001	Default

ZZ1
Label Assembly Note
This Assembly Note is for PCB labels only

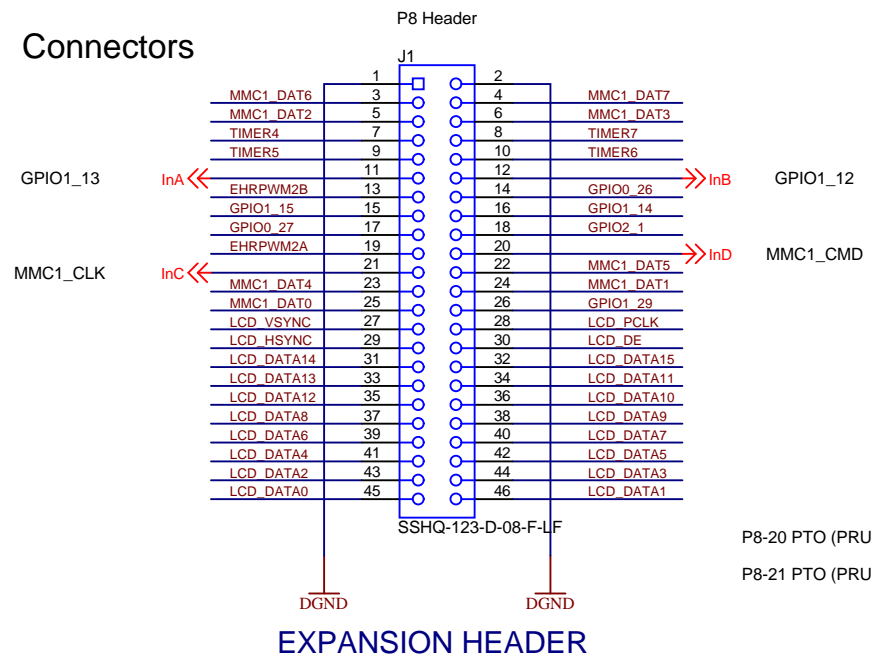
ZZ2
Assembly Note
These assemblies are ESD sensitive, ESD precautions shall be observed.

ZZ3
Assembly Note
These assemblies must be clean and free from flux and all contaminants. Use of no clean flux is not acceptable.

ZZ4
Assembly Note
These assemblies must comply with workmanship standards IPC-A-610 Class 2, unless otherwise specified.



Connectors



Outputs available from P8 header pins:

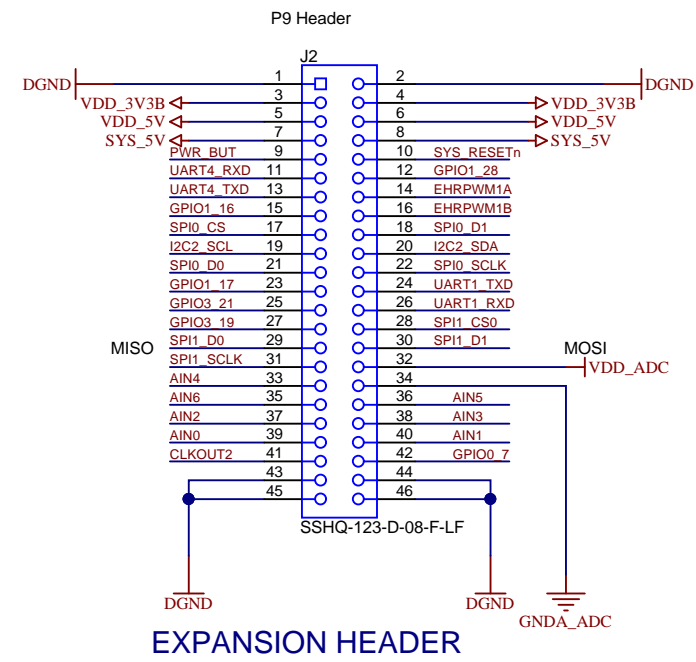
- P8-11 PTO
- P8-12 PTO
- P8-15 PRU0_in
- P8-16 PRU0_in
- P8-7 Timer - DigO ser cape subaddress
- P8-8 Timer - DigO - TIDA-00320
- P8-9 Timer - DigO - TIDA-00320
- P8-10 Timer - DigO - TIDA-00320
- P8-13 EHRPWM2B DigO
- P8-14 DigO - TIDA-00320
- P8-17 DigO - TIDA-00320
- P8-18 DigI - TIDA-00320
- P8-19 EHRPWM2A
- P8-26 DigI - TIDA-00320

- P8-20 PTO (PRU1)
- P8-21 PTO (PRU1)

Cape addressing:

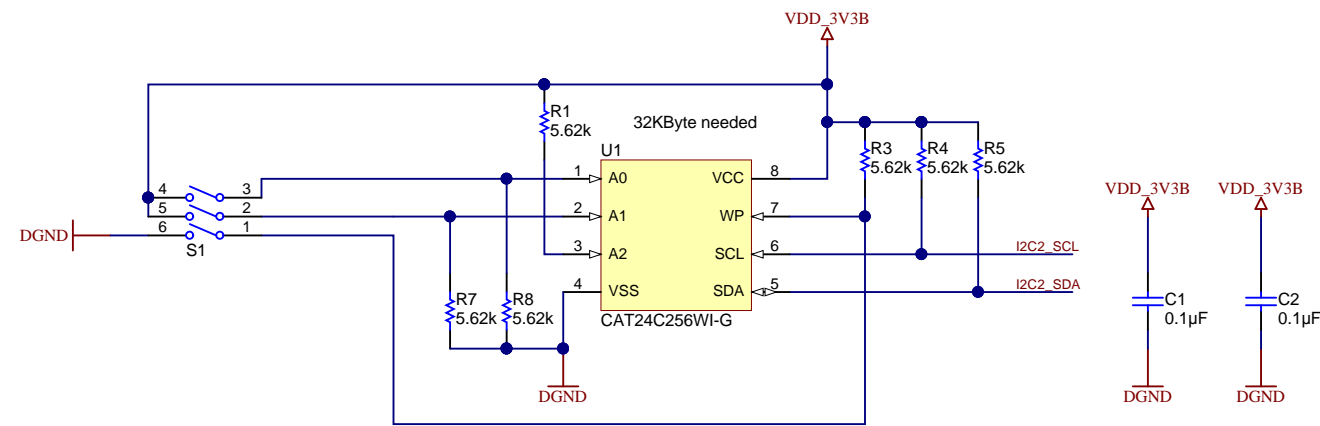
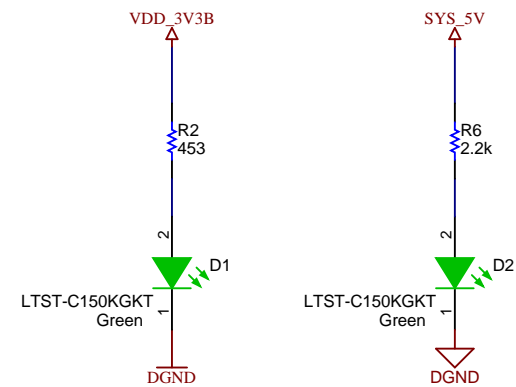
Data transfer is done via SPI0. D0 is used as a signal from BBB to MSP430 and LED (MOSI). D1 is used as a signal from MSP and LED to BBB (MISO). P9-11 and P9-13 are the cape address lines. If they match the I2C address setting from switch S1 then the SPI access goes to this cape. P8-7 is a sub address which determines the onboard resource to access. If it is low then the SPI access goes to the output drivers, if high then to the 16 LEDs.

P9-23 is the interrupt (IRQ) line. An IRQ pulls it low via open drain from U26. The host (BBB) needs to poll all capes which have interrupt capability configured to identify the issuer of the IRQ.



Outputs available from P9 header pins:

- P9-11 ser cape A0
- P9-12 DigO - TIDA-00320
- P9-13 ser cape A1
- P9-14 PWM option
- P9-15 DigO - TIDA-00320
- P9-16 PWM option
- P9-17 I2C1 SCL
- P9-18 I2C1 SDA
- P9-21 DigO - TIDA-00320
- P9-22 DigO - TIDA-00320
- P9-23 DigO - TIDA-00320
- P9-24 UART1 TXD
- P9-26 UART1 RXD
- P9-27 PTO



Texas Instruments and/or its licensors do not warrant the accuracy or completeness of this specification or any information contained therein. Texas Instruments and/or its licensors do not warrant that this design will meet the specifications, will be suitable for your application or fit for any particular purpose, or will operate in an implementation. Texas Instruments and/or its licensors do not warrant that the design is production worthy. You should completely validate and test your design implementation to confirm the system functionality for your application.

Orderable: N/A	Designed for: Public Release	Mod. Date: 7/28/2016
TID #: TIDA-00766	Project Title: Pulse Train Output Module for PLC	
Number: TIDA-00766	Rev: E1	Sheet Title:
SVN Rev: Version control disabled	Assembly Variant: 001	Sheet: 3 of 5
Drawn By: Ahmed Noeman	File: TIDA-00766_PTO_module_BBB_connector.Sch	Size: B
Engineer: Ahmed Noeman	Contact: http://www.ti.com/support	



A

B

C

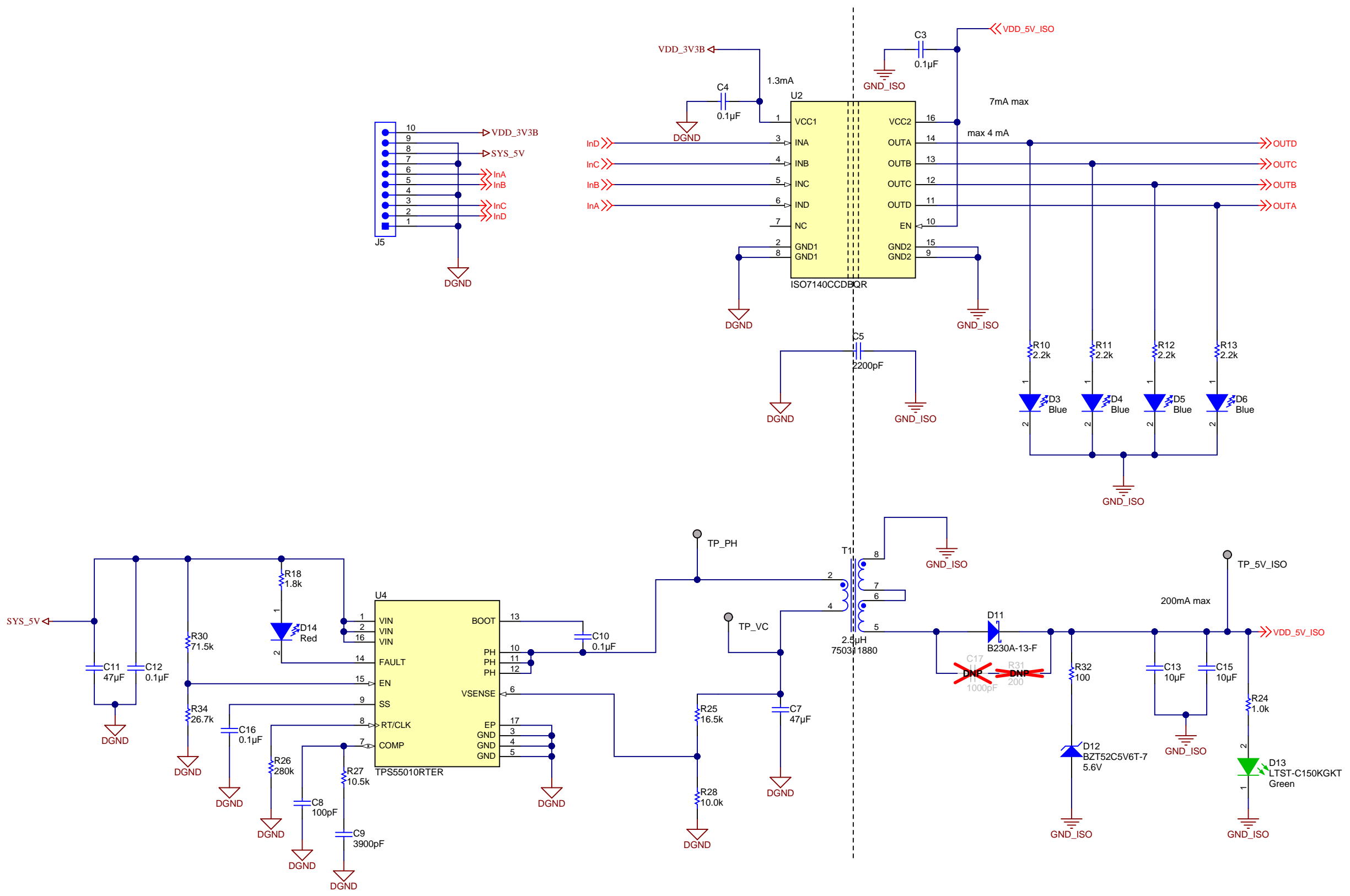
D

A

B

C

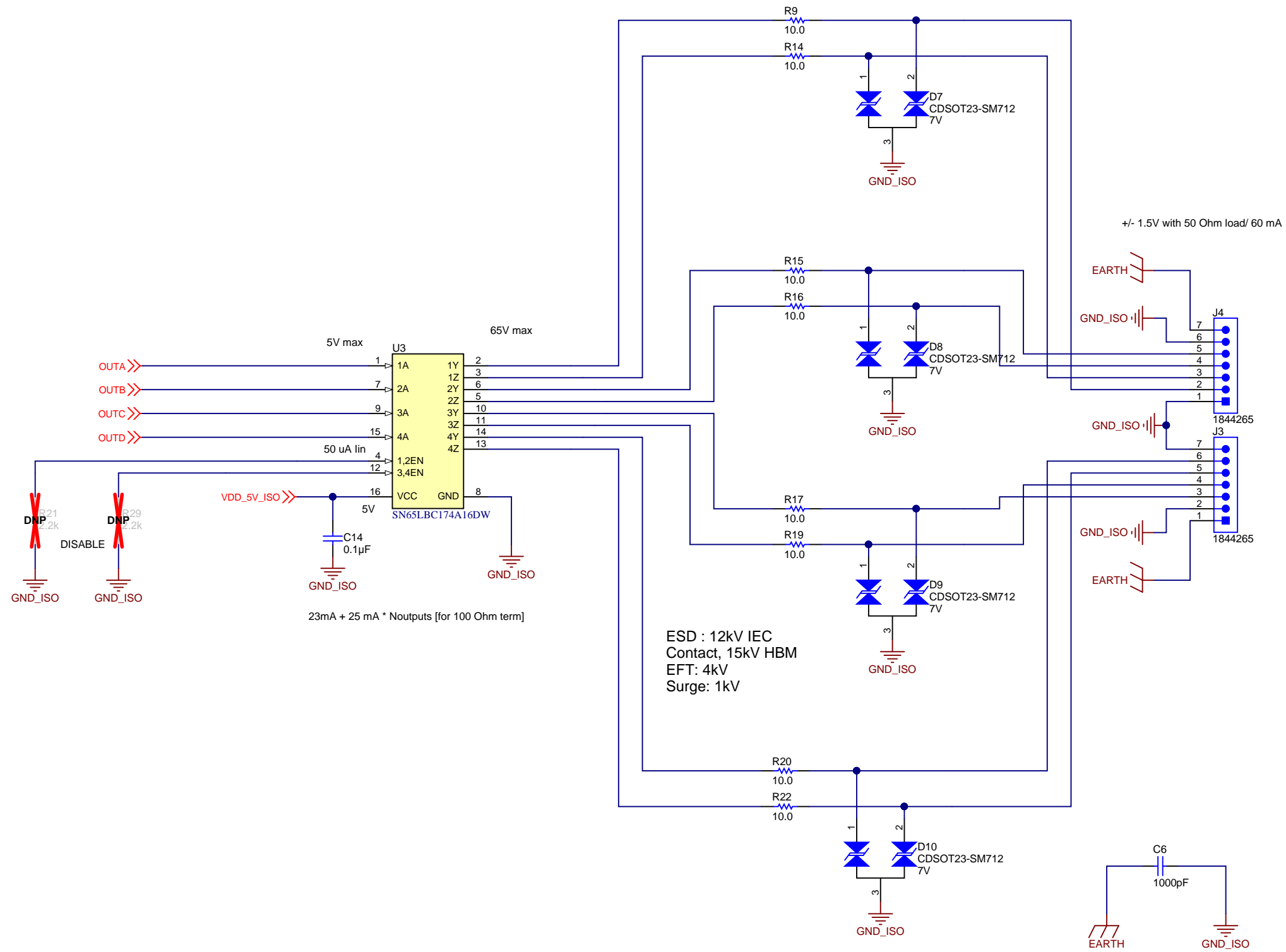
D



Texas Instruments and/or its licensors do not warrant the accuracy or completeness of this specification or any information contained therein. Texas Instruments and/or its licensors do not warrant that this design will meet the specifications, will be suitable for your application or fit for any particular purpose, or will operate in an implementation. Texas Instruments and/or its licensors do not warrant that the design is production worthy. You should completely validate and test your design implementation to confirm the system functionality for your application.

Orderable: N/A	Designed for: Public Release	Mod. Date: 7/28/2016
TID #: TIDA-00766	Project Title: Pulse Train Output Module for PLC	
Number: TIDA-00766	Rev: E1	Sheet Title:
SVN Rev: Version control disabled	Assembly Variant: 001	Sheet: 4 of 5
Drawn By: Ahmed Noeman	File: TIDA-00766_PTO_module_power.SchDoc	Size: B
Engineer: Ahmed Noeman	Contact: http://www.ti.com/support	





Texas Instruments and/or its licensors do not warrant the accuracy or completeness of this specification or any information contained therein. Texas Instruments and/or its licensors do not warrant that this design will meet the specifications, will be suitable for your application or fit for any particular purpose, or will operate in an implementation. Texas Instruments and/or its licensors do not warrant that the design is production worthy. You should completely validate and test your design implementation to confirm the system functionality for your application.

Orderable: N/A	Designed for: Public Release	Mod. Date: 7/28/2016
TID #: TIDA-00766	Project Title: Pulse Train Output Module for PLC	
Number: TIDA-00766	Rev: E1	Sheet Title:
SVN Rev: Version control disabled	Assembly Variant: 001	Sheet: 5 of 5
Drawn By: Ahmed Noeman	File: TIDA-00766_PTO_module_diffout.SchDoc	Size: B
Engineer: Ahmed Noeman	Contact: http://www.ti.com/support	



IMPORTANT NOTICE FOR TI REFERENCE DESIGNS

Texas Instruments Incorporated ("TI") reference designs are solely intended to assist designers ("Designer(s)") who are developing systems that incorporate TI products. TI has not conducted any testing other than that specifically described in the published documentation for a particular reference design.

TI's provision of reference designs and any other technical, applications or design advice, quality characterization, reliability data or other information or services does not expand or otherwise alter TI's applicable published warranties or warranty disclaimers for TI products, and no additional obligations or liabilities arise from TI providing such reference designs or other items.

TI reserves the right to make corrections, enhancements, improvements and other changes to its reference designs and other items.

Designer understands and agrees that Designer remains responsible for using its independent analysis, evaluation and judgment in designing Designer's systems and products, and has full and exclusive responsibility to assure the safety of its products and compliance of its products (and of all TI products used in or for such Designer's products) with all applicable regulations, laws and other applicable requirements. Designer represents that, with respect to its applications, it has all the necessary expertise to create and implement safeguards that (1) anticipate dangerous consequences of failures, (2) monitor failures and their consequences, and (3) lessen the likelihood of failures that might cause harm and take appropriate actions. Designer agrees that prior to using or distributing any systems that include TI products, Designer will thoroughly test such systems and the functionality of such TI products as used in such systems. Designer may not use any TI products in life-critical medical equipment unless authorized officers of the parties have executed a special contract specifically governing such use. Life-critical medical equipment is medical equipment where failure of such equipment would cause serious bodily injury or death (e.g., life support, pacemakers, defibrillators, heart pumps, neurostimulators, and implantables). Such equipment includes, without limitation, all medical devices identified by the U.S. Food and Drug Administration as Class III devices and equivalent classifications outside the U.S.

Designers are authorized to use, copy and modify any individual TI reference design only in connection with the development of end products that include the TI product(s) identified in that reference design. HOWEVER, NO OTHER LICENSE, EXPRESS OR IMPLIED, BY ESTOPPEL OR OTHERWISE TO ANY OTHER TI INTELLECTUAL PROPERTY RIGHT, AND NO LICENSE TO ANY TECHNOLOGY OR INTELLECTUAL PROPERTY RIGHT OF TI OR ANY THIRD PARTY IS GRANTED HEREIN, including but not limited to any patent right, copyright, mask work right, or other intellectual property right relating to any combination, machine, or process in which TI products or services are used. Information published by TI regarding third-party products or services does not constitute a license to use such products or services, or a warranty or endorsement thereof. Use of the reference design or other items described above may require a license from a third party under the patents or other intellectual property of the third party, or a license from TI under the patents or other intellectual property of TI.

TI REFERENCE DESIGNS AND OTHER ITEMS DESCRIBED ABOVE ARE PROVIDED "AS IS" AND WITH ALL FAULTS. TI DISCLAIMS ALL OTHER WARRANTIES OR REPRESENTATIONS, EXPRESS OR IMPLIED, REGARDING THE REFERENCE DESIGNS OR USE OF THE REFERENCE DESIGNS, INCLUDING BUT NOT LIMITED TO ACCURACY OR COMPLETENESS, TITLE, ANY EPIDEMIC FAILURE WARRANTY AND ANY IMPLIED WARRANTIES OF MERCHANTABILITY, FITNESS FOR A PARTICULAR PURPOSE, AND NON-INFRINGEMENT OF ANY THIRD PARTY INTELLECTUAL PROPERTY RIGHTS.

TI SHALL NOT BE LIABLE FOR AND SHALL NOT DEFEND OR INDEMNIFY DESIGNERS AGAINST ANY CLAIM, INCLUDING BUT NOT LIMITED TO ANY INFRINGEMENT CLAIM THAT RELATES TO OR IS BASED ON ANY COMBINATION OF PRODUCTS AS DESCRIBED IN A TI REFERENCE DESIGN OR OTHERWISE. IN NO EVENT SHALL TI BE LIABLE FOR ANY ACTUAL, DIRECT, SPECIAL, COLLATERAL, INDIRECT, PUNITIVE, INCIDENTAL, CONSEQUENTIAL OR EXEMPLARY DAMAGES IN CONNECTION WITH OR ARISING OUT OF THE REFERENCE DESIGNS OR USE OF THE REFERENCE DESIGNS, AND REGARDLESS OF WHETHER TI HAS BEEN ADVISED OF THE POSSIBILITY OF SUCH DAMAGES.

TI's standard terms of sale for semiconductor products (<http://www.ti.com/sc/docs/stdterms.htm>) apply to the sale of packaged integrated circuit products. Additional terms may apply to the use or sale of other types of TI products and services.

Designer will fully indemnify TI and its representatives against any damages, costs, losses, and/or liabilities arising out of Designer's non-compliance with the terms and provisions of this Notice.

Mailing Address: Texas Instruments, Post Office Box 655303, Dallas, Texas 75265
Copyright © 2016, Texas Instruments Incorporated