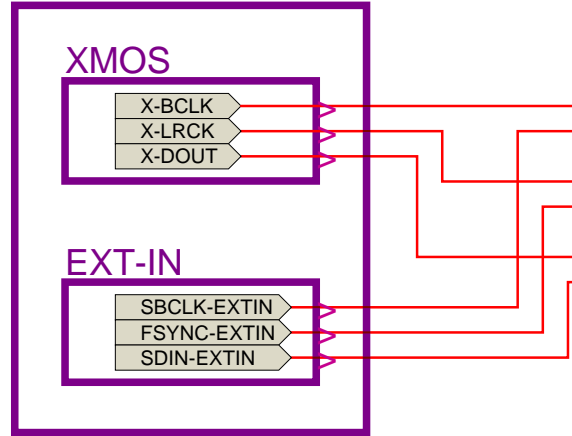
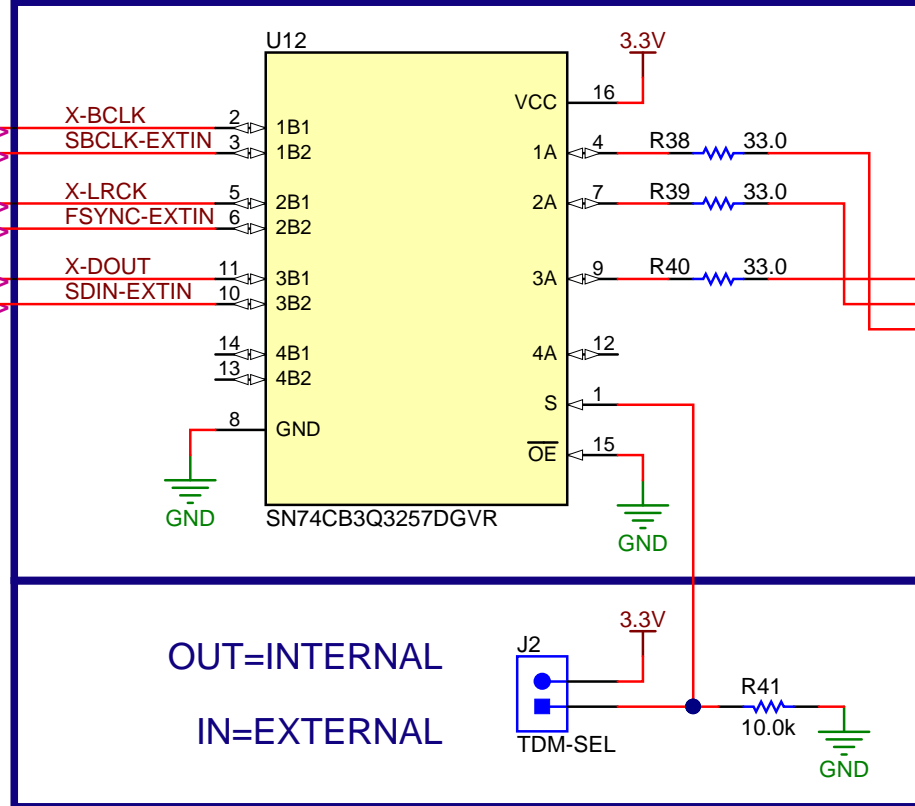


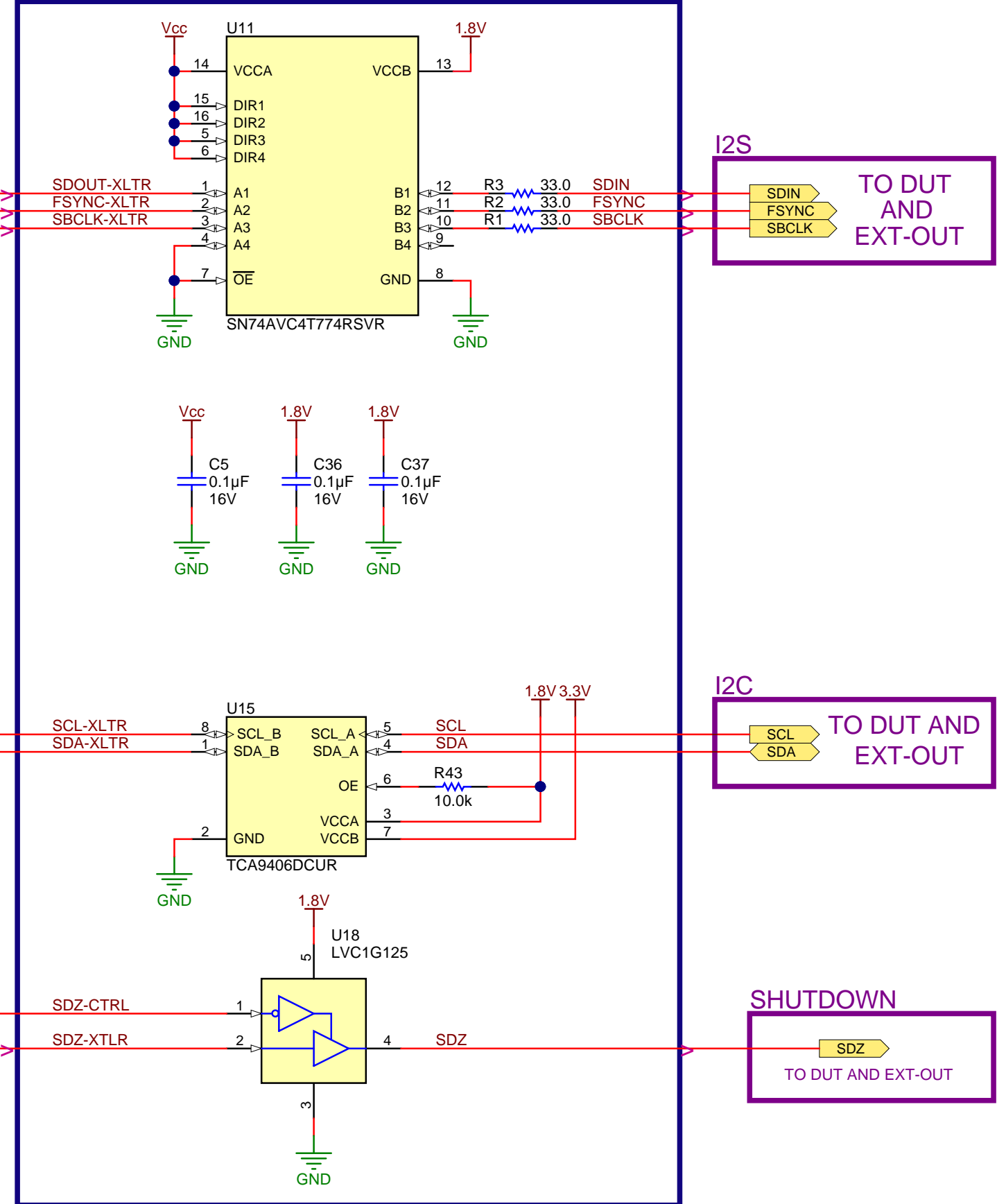
I2S



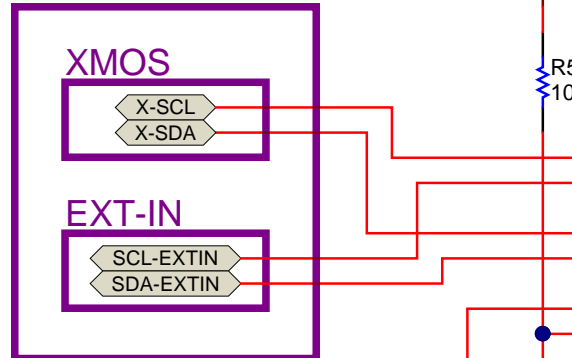
TDM SOURCE SELECT



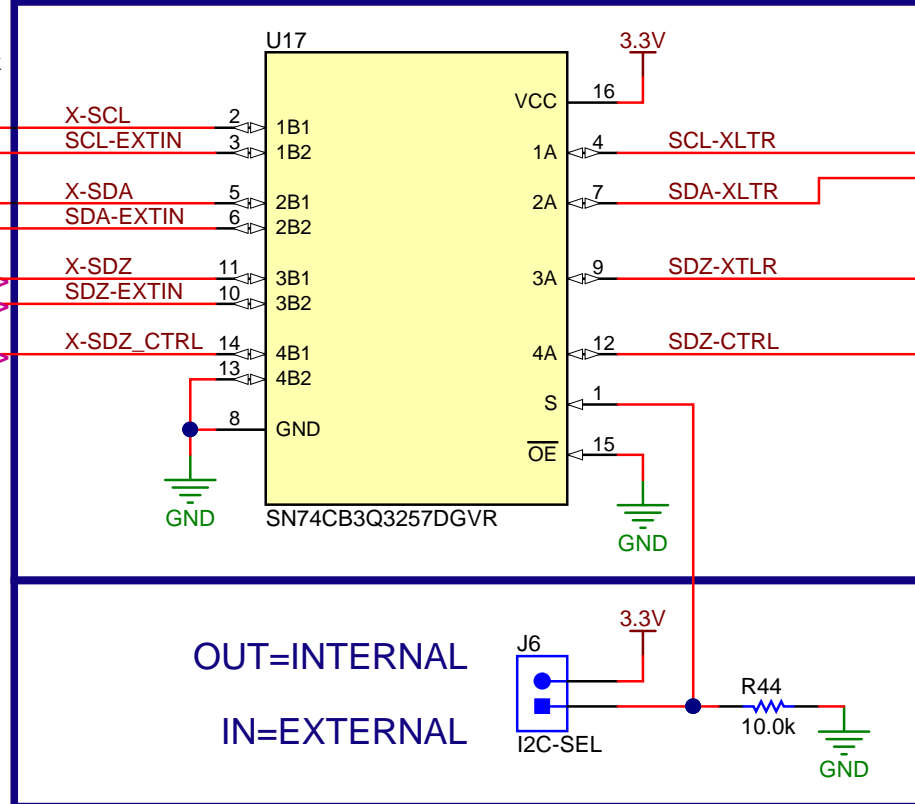
3.3V-1.8V TRANSLATORS (Level Shifters)



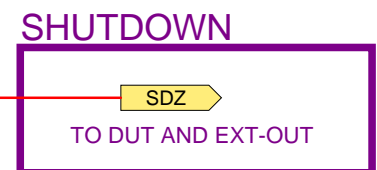
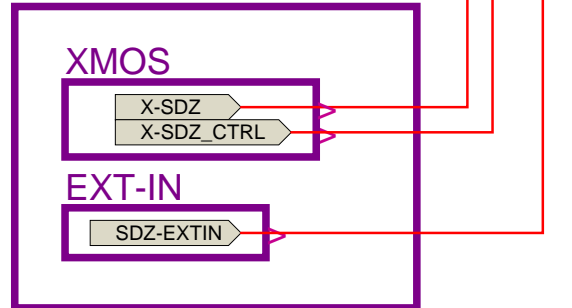
I2C



I2C/SHUTDOWN SOURCE SELECT



SHUTDOWN



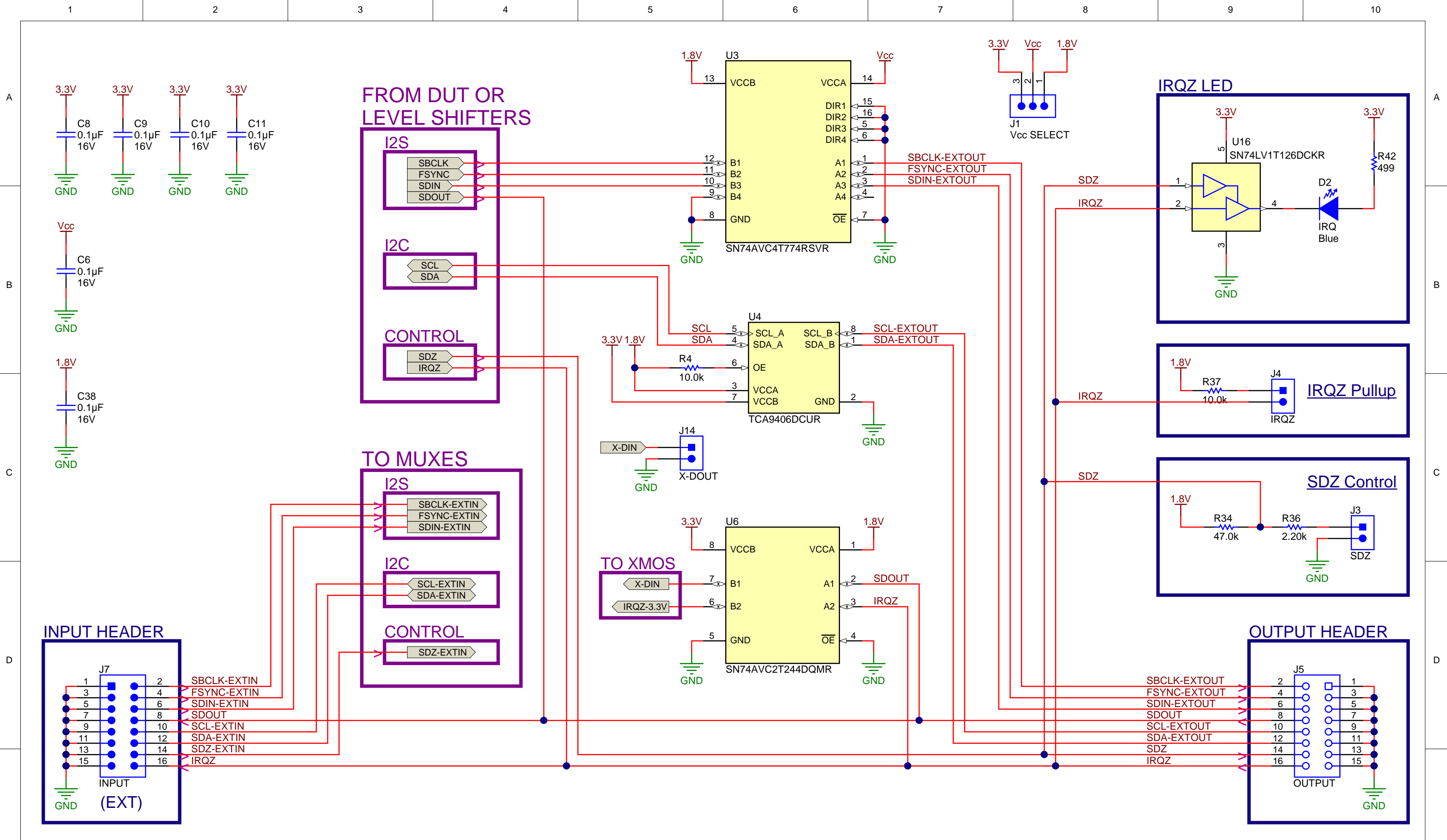
Texas Instruments and/or its licensors do not warrant the accuracy or completeness of this specification or any information contained therein. Texas Instruments and/or its licensors do not warrant that this design will meet the specifications, will be suitable for your application or fit for any particular purpose, or will operate in an implementation. Texas Instruments and/or its licensors do not warrant that the design is production worthy. You should completely validate and test your design implementation to confirm the system functionality for your application.

Orderable: [TAS2770EVM-Stereo](#)
 Sheet: 2 of 7
 Number: [TIDA-01572](#)
 SVN Rev: Version control disabled
 Drawn By: LDN
 Engineer: SCOTT BRYSON

Designed for: Public Release
 Project Title: [TAS2770RJQ STEREO EVALUATION MODULE](#)
 Sheet Title: [Muxes and Translators](#)
 Assembly Variant: 001
 File: [TIDA-01572A_Muxes-Translators.SchDoc](#)
 Contact: <http://www.ti.com/support>

TID #: [TIDA-01572](#)
 Mod. Date: 11/8/2017
 Size: AB
 Rev: A





Texas Instruments and/or its licensors do not warrant the accuracy or completeness of this specification or any information contained therein. Texas Instruments and/or its licensors do not warrant that this design will meet the specifications, will be suitable for your application or fit for any particular purpose, or will operate in an implementation. Texas Instruments and/or its licensors do not warrant that the design is production worthy. You should completely validate and test your design implementation to confirm the system functionality for your application.

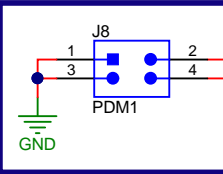
Orderable: [TAS2770EVM-Stereo](#)
 Sheet: 3 of 7
 Number: [TIDA-01572](#)
 SVN Rev: Version control disabled
 Drawn By: [LDN](#)
 Engineer: [SCOTT BRYSON](#)

Designed for: [Public Release](#)
 Project Title: [TAS2770RQJ STEREO EVALUATION MODULE](#)
 Sheet Title: [Signal IO](#)
 Assembly Variant: [001](#)
 File: [TIDA-01572A_Signal-IO.SchDoc](#)
 Contact: <http://www.ti.com/support>

TID #: [TIDA-01572](#)
 Mod. Date: [11/8/2017](#)
 Size: [AB](#)
 Rev: [A](#)



PDM#1 Header



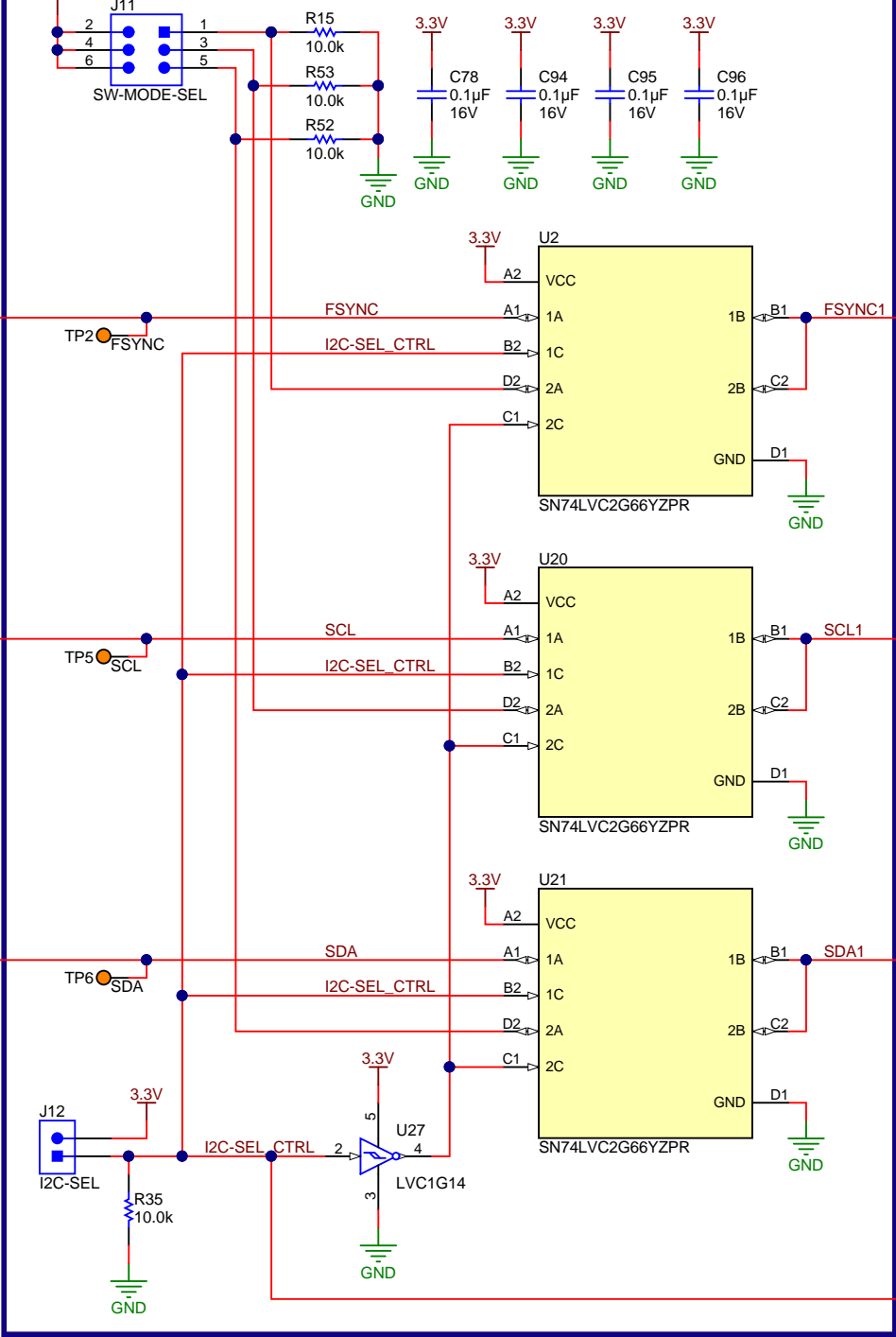
To
TDM/Control
Bus

FSYNC

SCL

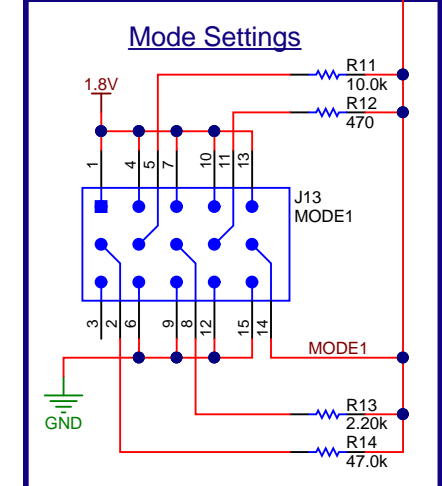
SDA

Soundwire Mode Settings #1

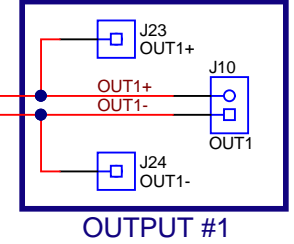
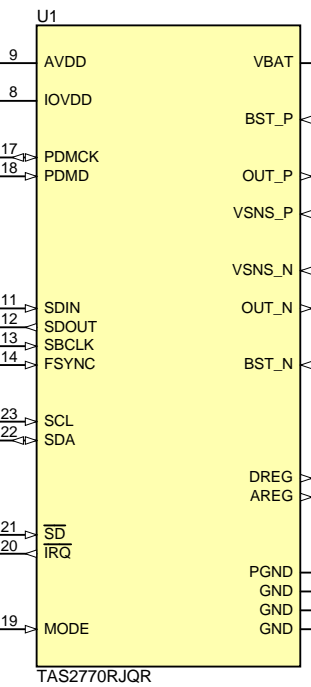
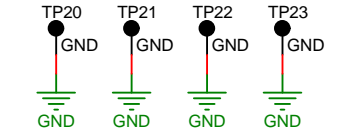
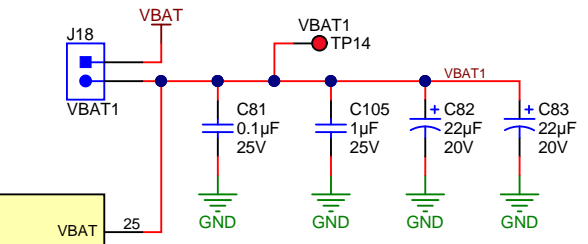
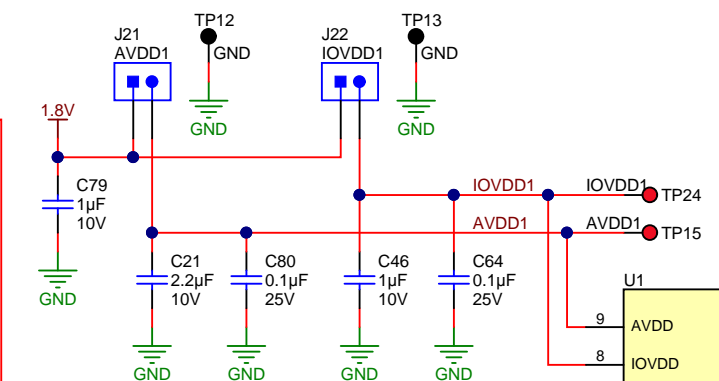


To
TDM/Control
Bus

SDZ
IRQZ



TO TAS2772 #2
I2C-SEL_CTRL

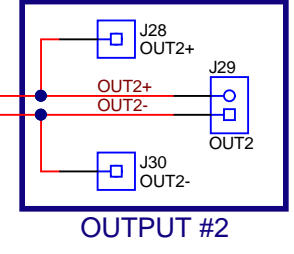
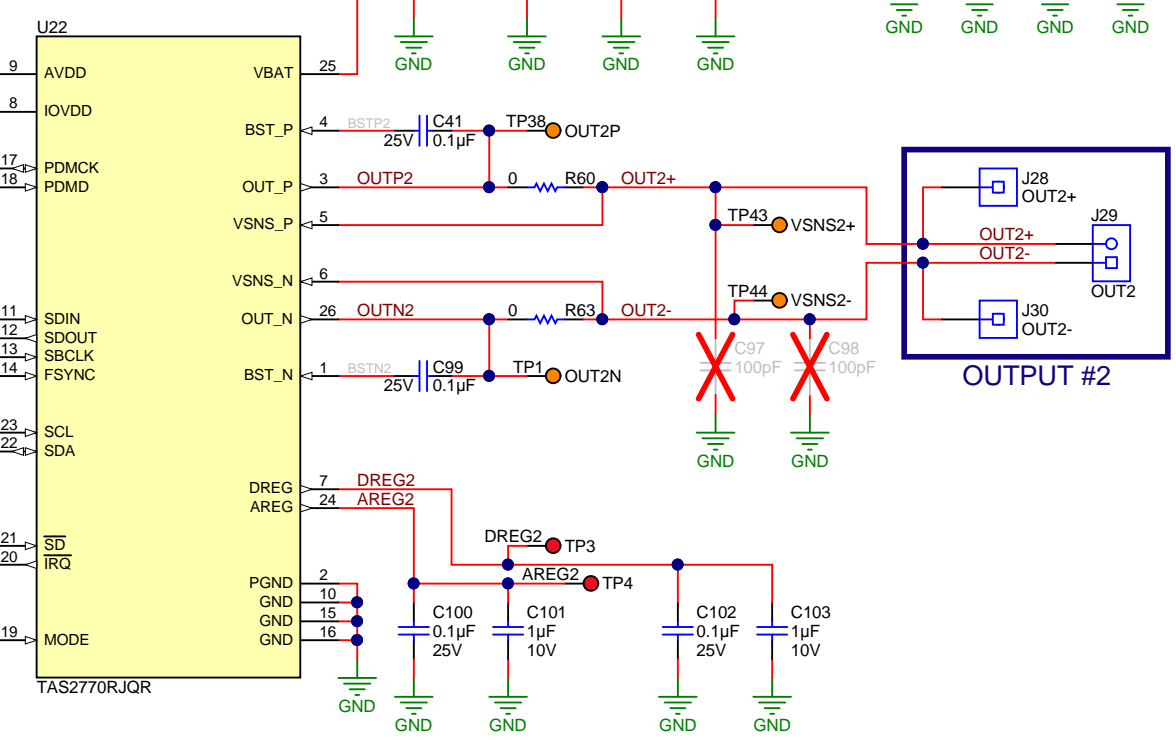
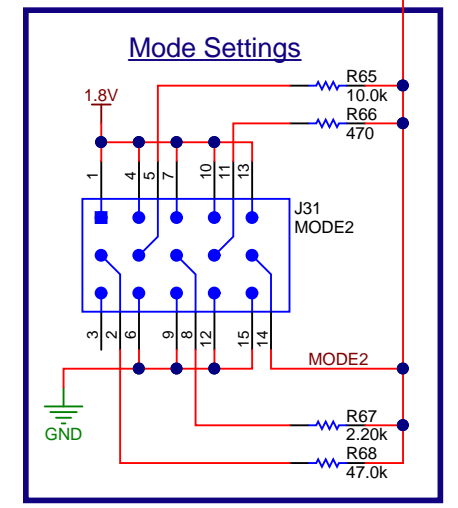
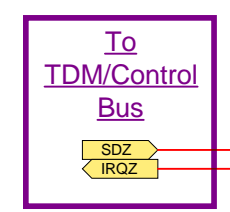
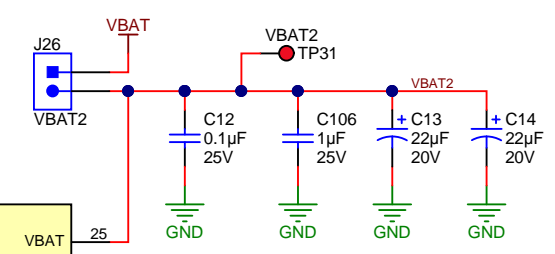
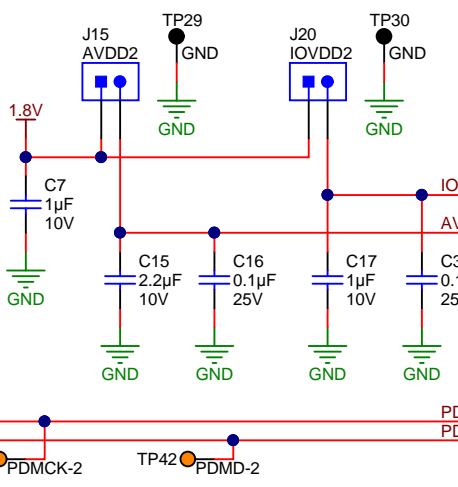
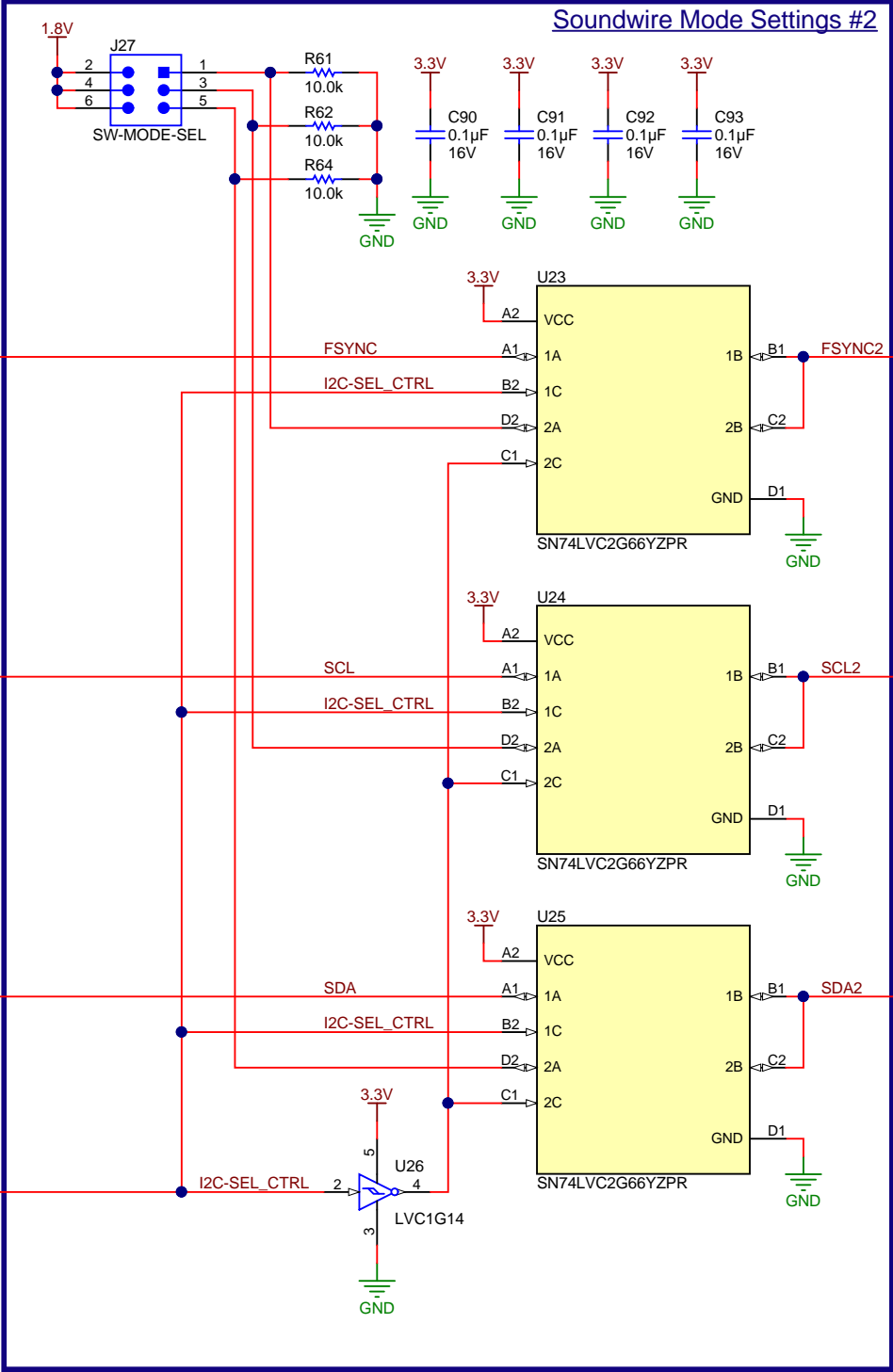
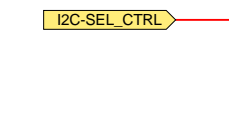
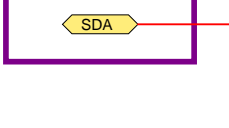
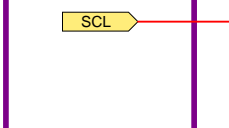
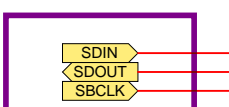
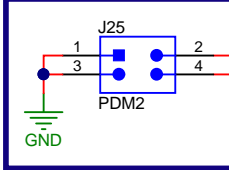


Orderable: TAS2770EVM-Stereo	Designed for: Public Release	Mod. Date: 11/10/2017
TID #: TIDA-01572	Project Title: TAS2770RJQ STEREO EVALUATION MODULE	
Number: TIDA-01572	Rev: A	Sheet Title: TAS2770RJQ IO#1
SVN Rev: Version control disabled	Assembly Variant: 001	Sheet: 4 of 7
Drawn By: LDN	File: TIDA-01572A_TAS2770RJQ-IO1.SchDoc	Size: B
Engineer: SCOTT BRYSON	Contact: http://www.ti.com/support	

Texas Instruments and/or its licensors do not warrant the accuracy or completeness of this specification or any information contained therein. Texas Instruments and/or its licensors do not warrant that this design will meet the specifications, will be suitable for your application or fit for any particular purpose, or will operate in an implementation. Texas Instruments and/or its licensors do not warrant that the design is production worthy. You should completely validate and test your design implementation to confirm the system functionality for your application.



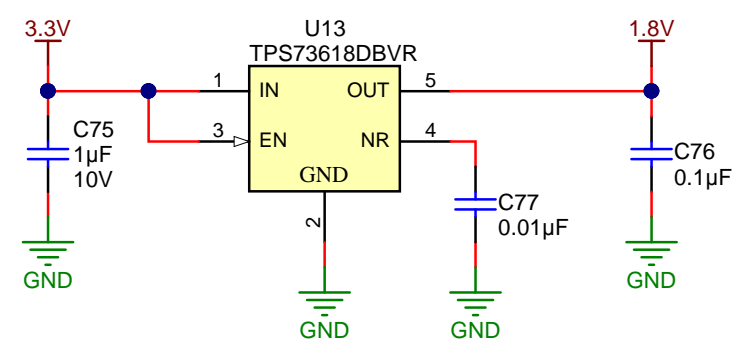
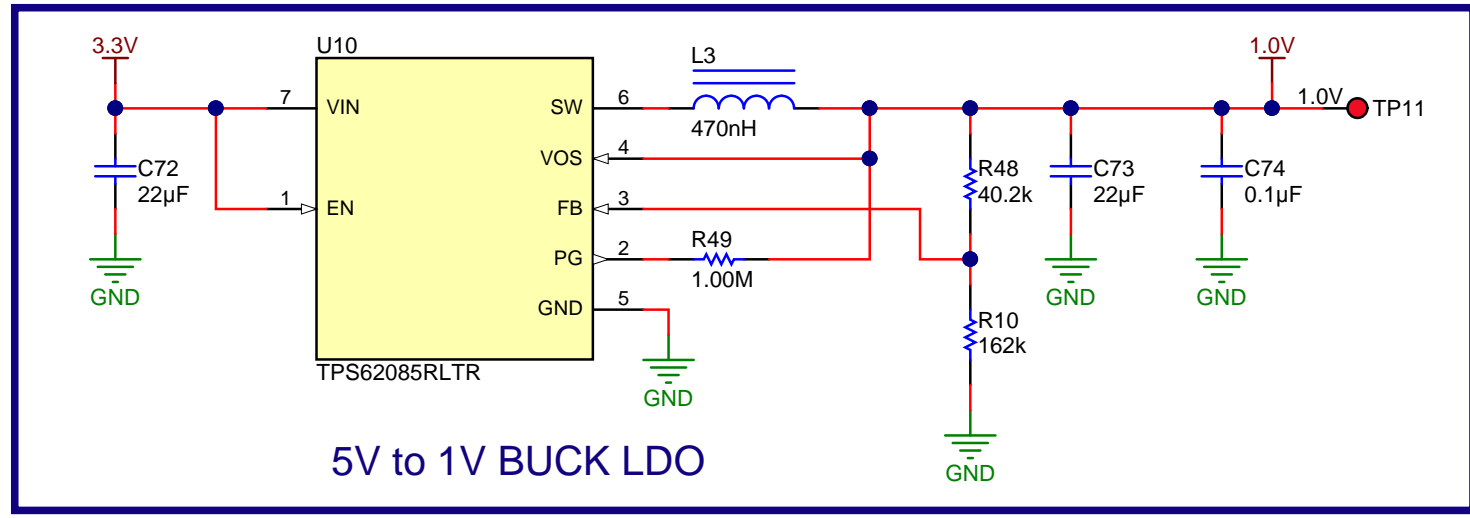
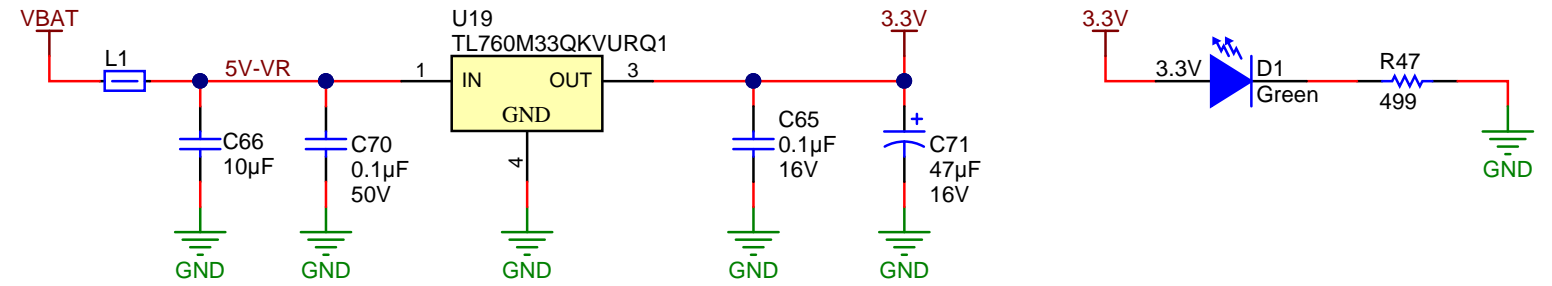
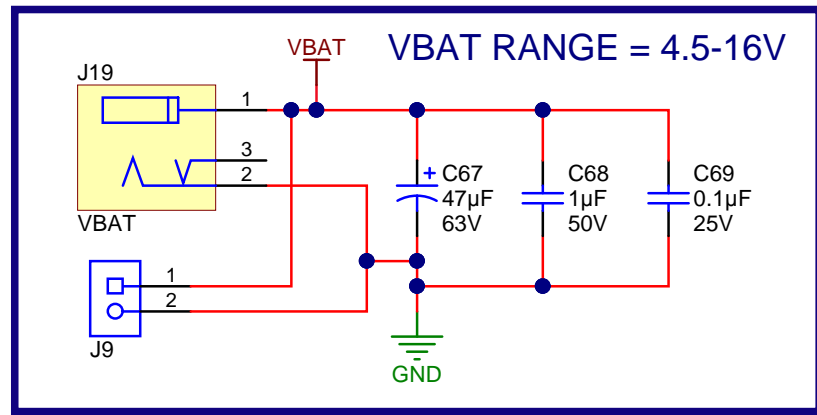
PDM#2 Header



Texas Instruments and/or its licensors do not warrant the accuracy or completeness of this specification or any information contained therein. Texas Instruments and/or its licensors do not warrant that this design will meet the specifications, will be suitable for your application or fit for any particular purpose, or will operate in an implementation. Texas Instruments and/or its licensors do not warrant that the design is production worthy. You should completely validate and test your design implementation to confirm the system functionality for your application.

Orderable: TAS2770EVM-Stereo	Designed for: Public Release	Mod. Date: 11/10/2017
TID #: TIDA-01572	Project Title: TAS2770RJQ STEREO EVALUATION MODULE	
Number: TIDA-01572	Rev: A	Sheet Title: TAS2770RJQ IO#2
SVN Rev: Version control disabled	Assembly Variant: 001	Sheet: 5 of 7
Drawn By: LDN	File: TIDA-01572A_TAS2770RJQ-IO2.SchDoc	Size: B
Engineer: SCOTT BRYSON	Contact: http://www.ti.com/support	





Texas Instruments and/or its licensors do not warrant the accuracy or completeness of this specification or any information contained therein. Texas Instruments and/or its licensors do not warrant that this design will meet the specifications, will be suitable for your application or fit for any particular purpose, or will operate in an implementation. Texas Instruments and/or its licensors do not warrant that the design is production worthy. You should completely validate and test your design implementation to confirm the system functionality for your application.

Orderable: [TAS2770EVM-Stereo](#)
 Sheet: 6 of 7
 Number: [TIDA-01572](#)
 SVN Rev: Version control disabled
 Drawn By: LDN
 Engineer: [SCOTT BRYSON](#)

Designed for: [Public Release](#)
 Project Title: [TAS2770RJQ STEREO EVALUATION MODULE](#)
 Sheet Title: [POWER SUPPLIES](#)
 Assembly Variant: 001
 File: [TIDA-01572A_PowerSupplies.SchDoc](#)
 Contact: <http://www.ti.com/support>

TID #: [TIDA-01572](#)
 Mod. Date: 11/8/2017
 Size: AB
 Rev: [A](#)





PCB Number: TIDA-01572
PCB Rev: A

PCB LOGO
Texas Instruments

PCB LOGO
Pb-Free Symbol

PCB LOGO
FCC disclaimer

ZZ1

Assembly Note

These assemblies are ESD sensitive, ESD precautions shall be observed.

ZZ2

Assembly Note

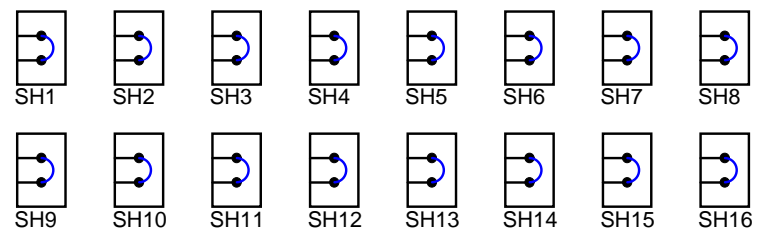
These assemblies must be clean and free from flux and all contaminants. Use of no clean flux is not acceptable.

ZZ3

Assembly Note

These assemblies must comply with workmanship standards IPC-A-610 Class 2, unless otherwise specified.

SHUNTS



Texas Instruments and/or its licensors do not warrant the accuracy or completeness of this specification or any information contained therein. Texas Instruments and/or its licensors do not warrant that this design will meet the specifications, will be suitable for your application or fit for any particular purpose, or will operate in an implementation. Texas Instruments and/or its licensors do not warrant that the design is production worthy. You should completely validate and test your design implementation to confirm the system functionality for your application.

Orderable: TAS2770EVM-Stereo	Designed for: Public Release	Mod. Date: 6/26/2017
TID #: TIDA-01572	Project Title: TAS2770RJQ STEREO EVALUATION MODULE	
Number: TIDA-01572	Rev: A	Sheet Title:
SVN Rev: Version control disabled	Assembly Variant: 001	Sheet: 7 of 7
Drawn By: LDN	File: TIDA-01572A_EVM-Hardware.SchDoc	Size: Letter
Engineer: SCOTT BRYSON	Contact: http://www.ti.com/support	

IMPORTANT NOTICE FOR TI DESIGN INFORMATION AND RESOURCES

Texas Instruments Incorporated ("TI") technical, application or other design advice, services or information, including, but not limited to, reference designs and materials relating to evaluation modules, (collectively, "TI Resources") are intended to assist designers who are developing applications that incorporate TI products; by downloading, accessing or using any particular TI Resource in any way, you (individually or, if you are acting on behalf of a company, your company) agree to use it solely for this purpose and subject to the terms of this Notice.

TI's provision of TI Resources does not expand or otherwise alter TI's applicable published warranties or warranty disclaimers for TI products, and no additional obligations or liabilities arise from TI providing such TI Resources. TI reserves the right to make corrections, enhancements, improvements and other changes to its TI Resources.

You understand and agree that you remain responsible for using your independent analysis, evaluation and judgment in designing your applications and that you have full and exclusive responsibility to assure the safety of your applications and compliance of your applications (and of all TI products used in or for your applications) with all applicable regulations, laws and other applicable requirements. You represent that, with respect to your applications, you have all the necessary expertise to create and implement safeguards that (1) anticipate dangerous consequences of failures, (2) monitor failures and their consequences, and (3) lessen the likelihood of failures that might cause harm and take appropriate actions. You agree that prior to using or distributing any applications that include TI products, you will thoroughly test such applications and the functionality of such TI products as used in such applications. TI has not conducted any testing other than that specifically described in the published documentation for a particular TI Resource.

You are authorized to use, copy and modify any individual TI Resource only in connection with the development of applications that include the TI product(s) identified in such TI Resource. NO OTHER LICENSE, EXPRESS OR IMPLIED, BY ESTOPPEL OR OTHERWISE TO ANY OTHER TI INTELLECTUAL PROPERTY RIGHT, AND NO LICENSE TO ANY TECHNOLOGY OR INTELLECTUAL PROPERTY RIGHT OF TI OR ANY THIRD PARTY IS GRANTED HEREIN, including but not limited to any patent right, copyright, mask work right, or other intellectual property right relating to any combination, machine, or process in which TI products or services are used. Information regarding or referencing third-party products or services does not constitute a license to use such products or services, or a warranty or endorsement thereof. Use of TI Resources may require a license from a third party under the patents or other intellectual property of the third party, or a license from TI under the patents or other intellectual property of TI.

TI RESOURCES ARE PROVIDED "AS IS" AND WITH ALL FAULTS. TI DISCLAIMS ALL OTHER WARRANTIES OR REPRESENTATIONS, EXPRESS OR IMPLIED, REGARDING TI RESOURCES OR USE THEREOF, INCLUDING BUT NOT LIMITED TO ACCURACY OR COMPLETENESS, TITLE, ANY EPIDEMIC FAILURE WARRANTY AND ANY IMPLIED WARRANTIES OF MERCHANTABILITY, FITNESS FOR A PARTICULAR PURPOSE, AND NON-INFRINGEMENT OF ANY THIRD PARTY INTELLECTUAL PROPERTY RIGHTS.

TI SHALL NOT BE LIABLE FOR AND SHALL NOT DEFEND OR INDEMNIFY YOU AGAINST ANY CLAIM, INCLUDING BUT NOT LIMITED TO ANY INFRINGEMENT CLAIM THAT RELATES TO OR IS BASED ON ANY COMBINATION OF PRODUCTS EVEN IF DESCRIBED IN TI RESOURCES OR OTHERWISE. IN NO EVENT SHALL TI BE LIABLE FOR ANY ACTUAL, DIRECT, SPECIAL, COLLATERAL, INDIRECT, PUNITIVE, INCIDENTAL, CONSEQUENTIAL OR EXEMPLARY DAMAGES IN CONNECTION WITH OR ARISING OUT OF TI RESOURCES OR USE THEREOF, AND REGARDLESS OF WHETHER TI HAS BEEN ADVISED OF THE POSSIBILITY OF SUCH DAMAGES.

You agree to fully indemnify TI and its representatives against any damages, costs, losses, and/or liabilities arising out of your non-compliance with the terms and provisions of this Notice.

This Notice applies to TI Resources. Additional terms apply to the use and purchase of certain types of materials, TI products and services. These include; without limitation, TI's standard terms for semiconductor products (<http://www.ti.com/sc/docs/stdterms.htm>), [evaluation modules](#), and [samples](http://www.ti.com/sc/docs/sampterm.htm) (<http://www.ti.com/sc/docs/sampterm.htm>).

Mailing Address: Texas Instruments, Post Office Box 655303, Dallas, Texas 75265
Copyright © 2018, Texas Instruments Incorporated