

Replacing Platinum RTD Sensors With Digital Temperature Sensors Reference Design



Description

This reference design for the differential temperature measurement (DTM) subsystem of *heat* and *cooling meters* provides a fully digital alternative to thin-film platinum Resistance Temperature Detector (RTD) sensors. The Digital RTD approach streamlines manufacturing processes by using integrated memory (EEPROM) to store user-defined parameters, eliminating the need to create and maintain accompanying documentation. The Digital RTD simplifies the analog signal processing by eliminating the offset and gain calibration steps of the analog-to-digital conversion required in traditional DTM systems.

Electrostatic discharge (ESD) protection devices integrated on board protect against contact or air ESD strikes of up to 30 kV. The small size PCB fits into a 5.2-mm outer diameter metal sheath as commonly used with standard PT100, PT500, PT1000 sensors.

This Digital RTD subsystem works with MSP430™ and SimpleLink™ microcontroller device families.

Resources

| | |
|-----------------------------|----------------|
| TIDA-010002 | Design Folder |
| TMP117 | Product Folder |
| ESD351 | Product Folder |
| ESD314 | Product Folder |

Features

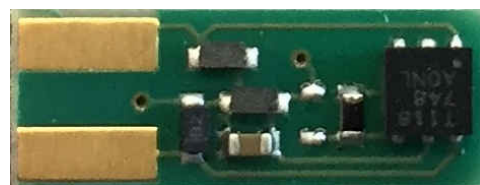
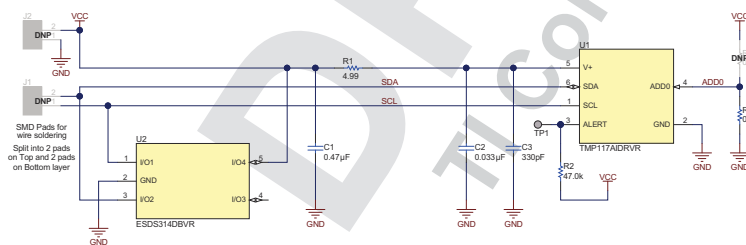
- Fully *digital* Precision Temperature Sensor as an alternative to Platinum RTD; fits into a standard 5.2-mm sheath used in heat meters
- Eliminates precision reference resistor, RC-matched filters, current sources, ADCs, and impedance controlled signal traces used in two- or four-wire RTD configurations
- No calibration required to meet IEC/EN 60751-2008 Class A accuracy from -55 to 150°C; single-point calibration for Class AA accuracy
- Standard I2C interface to host microcontrollers (four-wire *digital* interface with I2C-bus + VDD + GND)
- Passes pre-compliance tests for EFT, CE, RE, CS, RS and magnetic field immunity as per EN1434
- Reduces system design and manufacturing efforts optimizing cost

Applications

- [Heat](#) and [Cooling](#) Meters or [Heat Calculators](#) using PT100, PT500, or PT1000 sensors from -55°C to 150°C
- Replacement of Class A and Class AA thermometers (RTDs) in various industrial applications



ASK Our E2E™ Experts cc1310





An IMPORTANT NOTICE at the end of this TI reference design addresses authorized use, intellectual property matters and other important disclaimers and information.

1 System Description

Heat Meters are commonly used for billing heat energy for residential users in multi-dwelling units across many countries, while *Cooling Meters* are often found in commercial, storage, or logistic buildings and industrial environments. *Heat Meters* and *Cooling Meters* are both thermal energy meters, as defined in Annex VI of the Measuring Instruments Directive (MID) 2014/32/EU⁽⁴⁾ of the European Parliament and of the Council of 26 February 2014. The MID document is the harmonization of the laws of the member states related to creating a common market for measuring instruments across all countries of the EU. Cooling Meters are not part of the MID and are usually regulated nationally.

Thermal energy meters are basically regular flow meters, for example water meters, extended with a precise differential temperature measurement (DTM) subsystem to capture the temperature difference between the inlet and the outlet flow. If the medium temperature flow of the inlet is lower than the temperature of the outlet, then heat is being dissipated, otherwise heat gets absorbed, which means this is a cooling system.

Heat Meters and Cooling Meters are therefore very similar. However, in order to be able to use both types for billing, a type examination certificate is required in each case. For a type examination certificate the requirements of EN 1434 must be fulfilled. Texas Instruments has a close cooperation with JUMO GmbH & Co. KG to fulfil these requirements and create a type examination certificate.

1.1 Key System Specifications

The IEC/EN60751:2008 standard defines four thermometer classes: these are named Class C, B, A, and AA, where C has the lowest and AA the highest accuracy. The lower the accuracy class is, the larger the defined temperature range will be and there are two types of thermometers defined: thin-film or wire-wound. A Class AA thin-film thermometer covers the range of 0°C to 150°C, and a thin-film Class C thermometer has a much wider range of –50°C to 600°C.

The TIDA-010002 reference design demonstrates the excellent temperature measurement accuracy of the TMP117 precision digital sensor, matching the accuracy of the highest Class AA thin-film RTD sensors in the temperature range of –55°C to 150°C.

Table 1-1. Key System Specifications

| PARAMETER | SPECIFICATIONS | DETAILS |
|--|---|-------------------------------|
| Input power source | Provided by the host MCU or host motherboard, fixed voltage level or thru switched GPIO | Table 3-1 |
| Operating Temperature | –55°C to 150°C | Section 2.3.2 |
| Accuracy | ±0.1°C | Section 2.3.2 |
| Supply voltage | 1.8 V to 5.5 V | Section 3.2.7 |
| Digital RTD sensor configuration | 4-wire digital interface (SDA, SCL, VDD and GND) | Section 2.4.3 |
| Average active state current consumption | Depends on active state duration | Section 2.3.2 |
| Active state duration | Configurable thru CONV[2:0] and AVG[1:0] bits in CONFIG register | Section 2.3.2 |
| Average standby-state current consumption | 3.5-µA, 1-Hz conversion cycle | Section 2.3.2 |
| Standby-state duration | Approximately 876 ms (if 8 averages in 1 s conversion cycle) | Section 2.3.2 |
| Average shutdown-state current consumption | 150 nA | Section 2.3.2 |
| Measurements per minute | 60 or less, user configurable | Section 3.1.2 |
| ESD 61000-4-2 | Air 8 kV / Contact 4 kV (> 8 KV contact or air discharge) | Section 3.2.8 |

2 System Overview

Heat Meters are typically powered by one Lithium primary battery cell and must operate for at least 6 years or longer, depending on the ambient temperature conditions and the number of wireless communication packets transmitted during a specific time period. Therefore, a key product design consideration is the lowest possible power consumption.

Heat and Cooling Meters use a DTM subsystem to measure the temperature every few seconds (or less frequently) of two flows of an opposite direction, which allows to power off the DTM circuitry for most of the measurement cycle. Besides the highly-accurate temperature measurement, the energy consumption of these meters is minimized by the ability to quickly wake from power-down mode, measure the temperature of two RTDs and return to power-down mode as quickly as possible.

The TMP117 device features a very short power-up or reset period of only 1.5 ms typical, a conversion measurement cycle of 15.5 ms, a highly-accurate 0.0078125°C temperature resolution, and a Fast-Mode (400 kHz) I2C-bus communications interface. All of these enable the power on-off cycling of the TIDA-010002 between measurement cycles.

This Digital RTD solution saves processing time on the host MCU, as the linearization of the measurement result and conversion to a temperature value is done inside the TIDA-010002.

2.1 Block Diagram

Heat and Cooling Meters are becoming more and more popular in EMEA, Russia, and China markets, as the requirements for billing thermal energy (heat and cold) are steadily increasing. As the measurement cycle of these devices is configurable and is typically less frequent than once in a few seconds, the complete DTM subsystem is powered-off between the measurements. Such an approach is highly beneficial not only in all battery-powered products but also for any application with limited available power, such as M-Bus wired or 4- to 20-mA industrial sensors.

The TIDA-010002 can be placed into the standard 5.2-mm diameter metal sheath for RTDs as used in *Heat Meters*, and assembled with a 4-wire cable as a DRTD sensor. The DRTD is then immersed into the inlet and outlet flow, as shown in red in [Figure 2-1](#).

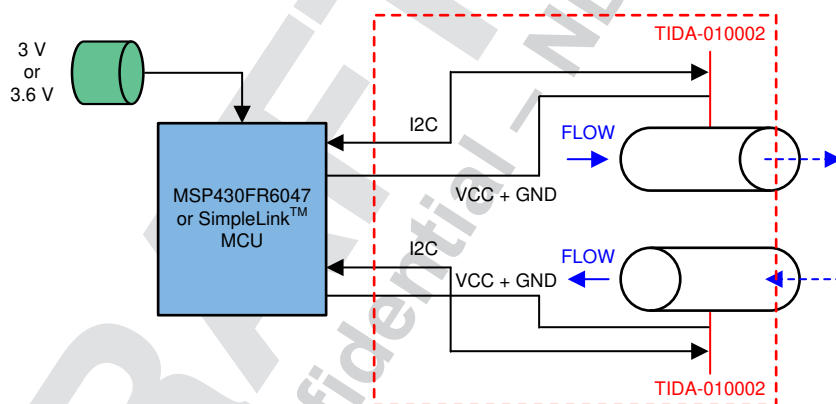


Figure 2-1. TIDA-010002 Block Diagram

2.2 Design Considerations

Typical thermal energy meters use a pair of PT100, PT500, or PT1000 sensors, which are connected to a precision delta-sigma ADC, such as TI's ADS1220 family, or to an MCU or an analog front end (AFE) device, utilizing the ADC slope conversion approach based on a precision comparator and a digital timer. In the EU countries, the EN1434⁽²⁾ specification series define the requirements for these meters.

The [High Precision Temperature Measurement for Heat and Cold Meters Reference Design](#) (TIDA-01526) implements a differential temperature measurement (DTM) subsystem using a 24-bit, low-power, delta-sigma ADC such as the ADS122U04 or ADS122C04 devices (but also applies to the ADS1220 device with an SPI interface). The TIDA-01526 is a low-cost, high-precision DTM subsystem, which can be combined with TI's ultra-

sonic or rotation detection flow measurement subsystems, based on the MSP430FR6047 or MSP430FR6989, or TI's CC13xx and CC26xx wireless MCUs.

The TIDA-010002 reference design shows an alternative DTM system solution to TIDA-01526 by having the complete signal chain of a delta-sigma device together with the external RTD sensor integrated into a single active precision temperature semiconductor component, the TMP117 device.

The newly-introduced digital RTD approach in the TIDA-010002 represents an alternative to the traditional thin-film RTD sensors and brings multiple advantages, such as unique calibration parameters being programmed inside each DRTD and available to the host MCU for read out at any time.

Because of the improved linearity compared to the Platinum RTD sensors, a reduced effort for the calibration and pairing process can be expected.

2.3 Highlighted Products

2.3.1 Device Recommendation

This reference design can be implemented using two similar digital temperature sensors, the TMP117 and the TMP116. The two devices differ in the accuracy of measurements ($\pm 0.1^\circ\text{C}$ for TMP117 and $\pm 0.2^\circ\text{C}$ for TMP116) and the temperature range (-55°C to 150°C for TMP117 and -55°C to 125°C for TMP116). Due to the increased accuracy of the TMP117, we recommend the TMP117 be used. This design will focus on the TMP117; however data will be taken for both devices.

2.3.2 Digital Temperature Sensor - TMP117

The TMP117 device is a family of low-power, high-precision temperature sensors with integrated EEPROM memory. The TMP117 device provides a 16-bit temperature result with a resolution of 0.0078125°C and an accuracy of up to $\pm 0.1^\circ\text{C}$ with no calibration. The TMP117 is I2C- and SMBus-interface compatible, has programmable alert functionality, and can support up to four devices on a single bus.

The TMP117 device consumes minimal current that, in addition to providing power savings, minimizes the self-heating effect while measuring temperature and improves measurement accuracy. The TMP117 operates from 1.8 V to 5.5 V and typically consumes $3.5\ \mu\text{A}$ during the conversion cycle and 150nA during shutdown. The device also has integrated 48 bit EEPROM. Across its full operating temperature range the TMP117 device achieves the accuracy of a Class A RTD without calibration and requires significantly less processing software by dropping the need for the voltage to temperature measurement conversion and subsequent offset and gain result adjustment. In addition, the external analog signal chain circuitry, with the precision reference resistor, analog input matched RC-filters and the impedance matched traces on the PCB are completely eliminated.

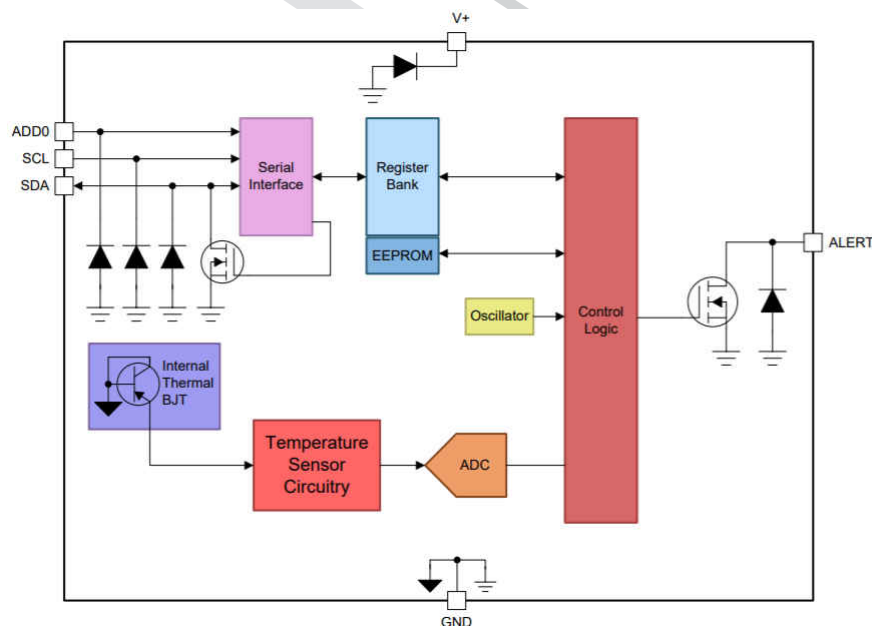


Figure 2-2. TMP117 Internal Block Diagram

2.3.3 Digital Temperature Sensor - TMP116

The TMP116 (TMP116, TMP116N) device is a family of low-power, high-precision temperature sensors with integrated EEPROM memory. The TMP116 device provides a 16-bit temperature result with a resolution of 0.0078125°C and an accuracy of up to ±0.2°C with no calibration. The TMP116 is I2C- and SMBus-interface compatible, has programmable alert functionality, and can support up to four devices on a single bus.

The TMP116 device consumes minimal current that, in addition to providing power savings, minimizes the self-heating effect while measuring temperature and improves measurement accuracy. The TMP116 operates from 1.9 V to 5.5 V and typically consumes 3.5 µA in average. Across its full operating temperature range the TMP116 device achieves the accuracy of a Class A RTD without calibration and requires significantly less processing software by dropping the need for the voltage to temperature measurement conversion and subsequent offset and gain result adjustment.

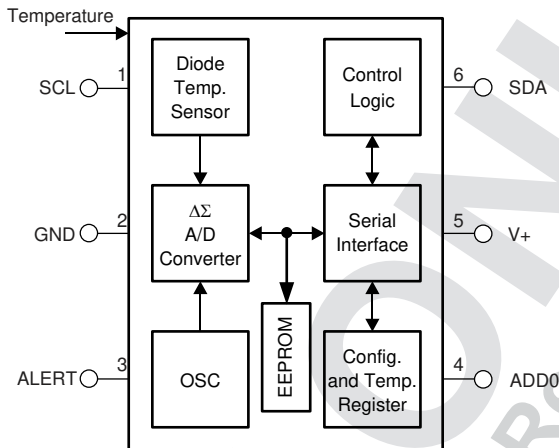


Figure 2-3. TMP116 Internal Block Diagram

The TMP116 units are 100% tested on a production setup that is NIST traceable and verified with equipment that is calibrated to ISO/IEC 17025 accredited standards.

2.3.4 ESD Protection Devices

The ESD351 device is a unidirectional TVS ESD protection diode featuring low dynamic resistance RDYN and low clamping voltage. The ESD351 is rated to dissipate ESD strikes up to the 30 kV (contact and air) level per the IEC 61000-4-2 standard. The ultra-low dynamic resistance (0.1 Ω) and extremely low clamping voltage (6.5 V at 16-A TLP) ensure system-level protection against transient events. This device has a capacitance of 1.8 pF (typical) making it ideal for protecting interfaces. The ESD351 is offered in the industry-standard 0402 (DPY) package and is convenient for component placement in space-saving applications. The small package size has been a key decision factor for selecting ESD351 in this extremely space constraint application.



Figure 2-4. ESD351 Functional Block Diagram

The ESD351 is a diode-type TVS which is used to provide a path to ground for dissipating ESD events on high-speed signal lines between a human interface connector and a system. As the current from ESD passes

through the TVS, only a small voltage drop is present across the diode and is the voltage presented to the protected IC.

The ESD351 device supports the industrial temperature range: -40°C to $+125^{\circ}\text{C}$, the recommended input voltage V_{IN} is between 0 and 3.6 V.

The TPD1E04U04 device is a unidirectional TVS ESD protection diode rated to dissipate ESD strikes above the maximum level specified in the IEC 61000-4-2 international standard (Level 4). The low dynamic resistance and ultra-low clamping voltage ensure system level protection against transient events for sensitive SoC. The TPD1E04U04 is offered in the industry standard 0402 (DPY) and 0201 (DPL) packages and also supports the industrial temperature range: -40°C to $+125^{\circ}\text{C}$.

2.4 System Design Theory

Chapter 4.1 of the *Heat Meter* specification EN1434-2⁽²⁾ states that all temperature pairs must consist of suitably selected PT sensor elements. Pre-calibrate and pair the PT sensors before they are built into the *Heat Meter* or alternatively, firmly mount (for example, soldered) them onto the *Heat Meter* PCB and calibrated afterwards to minimize the temperature offset between these two PT sensors.

Next, EN1434-2⁽²⁾ also states that other types of temperature sensors may be used. When used, they cannot be separated from the *Heat Meter* or *Heat Calculator* device.

Another important fact to consider is the EN60751⁽¹⁾ requirement in Chapter 5.4. Construct all industrial platinum resistance thermometers with an accuracy higher than Class B, or equal to Class A or Class AA in 3- or 4-wire configuration.

These two previous statements do not forbid the use of the TIDA-010002 as a digital temperature sensor (or DRTD) with a 4-wire interface when firmly mounted onto a *Heat* or *Cooling Meter* device.

With the TIDA-010002, the Host MCU can read out the DRTD sensor calibration parameters stored in the 48-bit EEPROM area over a I2C-bus and use the this data to achieve the accuracy of a Class AA thermometer.

The TIDA-010002 design is an alternative solution to the RTD Precision Temperature measurement subsystem, described in [TIDA-01526](#) and delivers similar resolution and temperature accuracy but only in the -55 to $+150^{\circ}\text{C}$ range, due to its nature of an active semiconductor device.

2.4.1 PT100, PT500, PT1000 based Measurement in Heat Meters

In [Figure 2-5](#) the ADS1220 Delta-Sigma device is used to measure the resistance of two 4-wire PT sensors in series and passes the data to the MSP430 host MCU for conversion from a resistance value to a temperature value, as implemented in the [TIDA-01526](#). There the 4-wire interface is part of the Kelvin connection, where two outer leads on RTD1 and RTD2 carry the measurement current $I_{\text{DAC}1}$ and the two inner leads are connected to AIN0-1 and AIN2-3 analog inputs of the ADS1220 to measure the voltage across RTD1 and RTD2 and thus their respective resistance values.

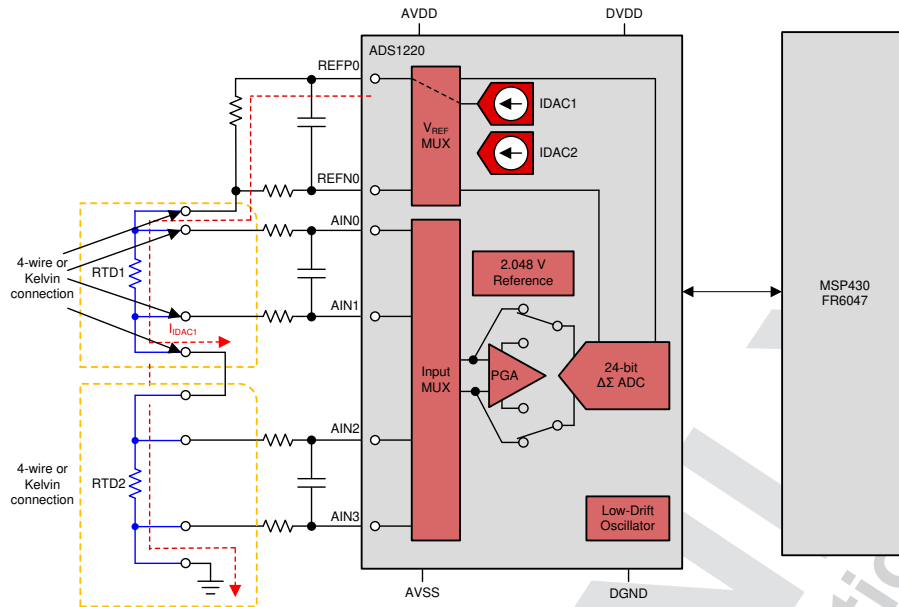


Figure 2-5. DTM Subsystem With a 24-bit Delta-Sigma Device and a Pair of 4-Wire RTDs

2.4.2 TMP117 Configuration as Temperature Sensor

This section provides details of the digital sensor configuration using TMP117. The key functional blocks include:

- TMP117 digital temperature sensor
- ESDS314 ESD protection diode
- Passive power supply filter for reducing EMI

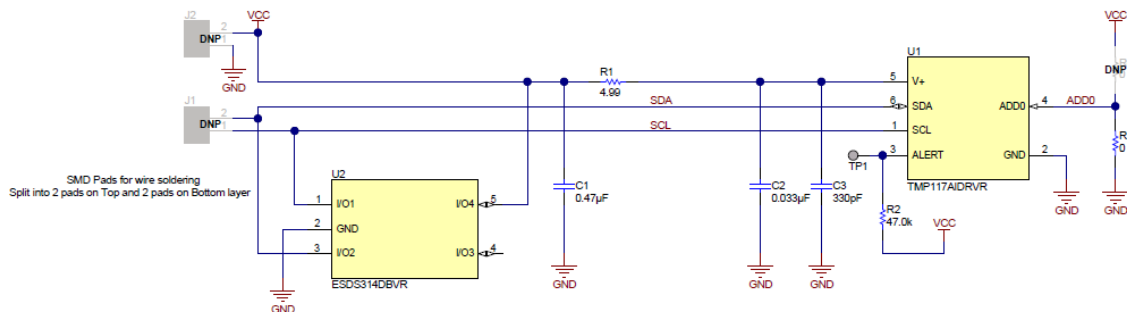


Figure 2-6. TMP117-Based Digital Temperature Sensor Circuit Configuration

Place the ESD protection diode U2, C1, and R1 near the input connector. Place C2 and C3 near to the temperature sensor with C3 placed as close as possible to TMP117 U1 for improved EMI and EMC performance.

2.4.3 Digital RTD Solution Using TMP117

The TIDA-010002 integrates the entire DTM subsystem into a single device by combining the Delta-Sigma core and the RTD into a highly accurate digital temperature sensor (see Figure 2-7). Note that the 4-wire *digital* interface of the TIDA-010002 is *not* electrically compatible to the standard analog 4-wire RTD sensor, measured with the help of the Kelvin connection as Figure 2-5 shows.

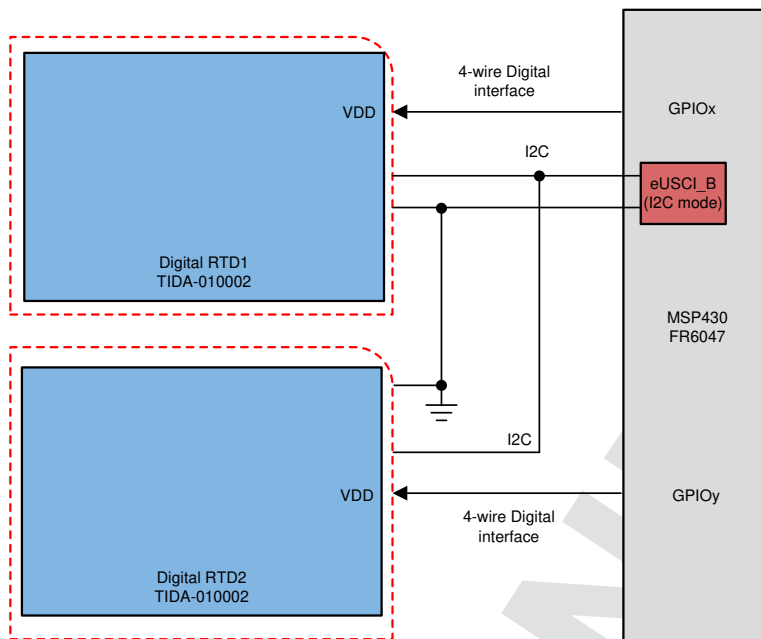


Figure 2-7. Integration of the Analog Measurement Chain Into a Semiconductor Temperature Sensors TMP117 With Digital I2C Interface

The 4-wire digital interface requires the supply voltage VDD, which can be provided by a GPIO pin of the host MCU, such as GPIOx in Figure 2-7. An additional GPIO pin, called GPIOy, can be used to power on and off the second DRTD sensor, and a 3rd GPIO and 4th pin can be added, in case more than two DRTD sensors have to be used. Using a dedicated GPIO pin to power each connected DRTD has the advantage, that all of those can be used on the same I2C-bus and still have the same I2C-address. The user has to ensure that only one GPIO pin of the host MCU is active (or HIGH), while all the others on the same I2C-bus lines having the same I2C address are inactive (or LOW).

As TMP117 integrates the complete temperature measurement subsystem using a thermal BJT and a 16-bit Delta-Sigma core into a fully digital solution, there is no extra temperature conversion effort to be done by the host MCU. The latter reads out the value and applies an offset (if needed), based on the parameters in the NV memory of the TMP117 device. It is more energy efficient to read out the NV memory content once at the beginning and apply the offset or any other adjustments to the result, each time the temperature is measured. The calibration offset data is stored into the NV memory as part of the DRTD manufacturing process or during end system calibration.

An important benefit of the DRTD approach, introduced here, is the elimination of offset and gain calibration steps for the analog signal chain, required with traditional analog signal measurements in 2-, 3-, or 4-wire configurations.

The high precision Reference resistor, typically with accuracy better than 0.1% and ± 25 ppm/C, and the matched RC-filters are not needed anymore. This represents a cost reduction in terms of Bill of materials as well as in PCB space and a much simplified layout on the host MCU side.

Last but not least, for all Heat and Cooling meters with precision temperature measurement in the -55°C to 150°C range, TIDA-010002 is expected to enable significantly lower cost in manufacturing by reducing the three temperature points calibration as in EN 1434 to a single point temperature offset calibration.

A major advantage of the DRTD approach, based upon the TIDA-010002, is the capability to store user defined calibration parameters in the EEPROM memory area of the TMP117 device. This significantly simplifies and can even completely eliminate the paperwork and calibration data handling efforts when compared to traditional analog RTD sensors. In the case of the latter, labels with an ID number have to be attached to the RTD cable. The calibration data is then passed over to the Meter vendor by the RTD sensor vendor by some off-line means, for example, in an electronic data format.

A 1-point offset calibration at 0°C or at room temperature may be required to achieve Class AA accuracy; this calibration step will narrow the 3-sigma accuracy spread of the TMP117 device down to the average curve shown on [TMP117 High-Accuracy, Low-Power, Digital Temperature Sensor With SMBus- and I2C-Compatible Interface](#).

2.4.4 Ambient Temperature Considerations

The TIDA-010002 is proposed as a replacement of standard analog RTD sensors, which use thin-film passive components and are popular in *Heat* and *Cooling Meters*. The design is expected to operate at high ambient temperature and experience multiple cycles changing from "hot" to "cold" and vice versa over its lifetime. Note that TMP117 datasheet specifies that the long-term stability and drift are tested at 300 hours at 150°C and are typically in the range of $\pm 0.05^\circ\text{C}$.

Furthermore, the TMP117 datasheet specifies the temperature cycling and hysteresis accuracy of ± 1 LSB with 8 averages. Such cycling is defined as the ability to reproduce a temperature reading as the temperature varies from room \rightarrow hot \rightarrow room \rightarrow cold \rightarrow room. The temperatures used for this test are -40°C , 25°C , and 125°C as per the datasheets.

To take full advantage of the industrial temperature range of the TMP117 device, the supply voltage capacitor C1, the optional VDD filter resistor (not present in the TIDA-010002), and any resistors used for I2C address configuration (see R3 and R4 in [Section 4.1](#)) should also cover the wide temperature range of -55°C to 150°C , as well as the PCB material used.

For volume production with a fixed I2C slave address, the TIDA-010002 reference design can be modified and the ADD0 pin can be hard-wired to GND, VDD, SDA or SCL lines. Thus R3 and R4 will be removed for further cost saving and improved system reliability.

Class AA and Class A resistance thermometers are defined in EN 60751:2008 within the temperature ranges of 0°C to 150°C and -30°C to 300°C respectively. The TIDA-010002 has a recommended operating free-air temperature down to -55°C , exceeding the minimum temperature limits of both Class A and AA.

The maximum operating temperature is 150°C with TMP117 as used in this Reference Design and is suitable for multiple industrial applications, not only metering.

3 Hardware, Software, Testing Requirements, and Test Results

3.1 Required Hardware and Software

A combination of existing and available TI hardware and software tools is required to evaluate the performance of the TIDA-010002.

3.1.1 Hardware

The TIDA-010002 board was initially tested for proper operation using the [USB2ANY Interface Adapter](#), which features I2C-bus protocol support. Both read and write slave access to the TMP117 was verified after correct wiring of the VDD, GND, SDA, and SCL lines between the TIDA-010002 design and USB2ANY tool.

The fully assembled probes with TIDA-010002 inside, as shown in [Figure 3-1](#), were used for testing. These digital temperature probes (see the 4-wire white cable with 6 m length as an example) were produced by JUMO GmbH & Co. KG in Germany. JUMO is a market leader in the development of industrial temperature probes for a variety of applications, including residential and commercial heat meters. JUMO can be contacted with inquiries about digital temperature probes based upon TIDA-010002 at HeatMeter@jumo.net.

Next, the full TIDA-010002 based digital probe was attached to the [MSP430FR6047 Ultrasonic Sensing Evaluation Module](#) using the BoosterPack™ Plug-in Module extension connectors J5 and J6. [Table 3-1](#) shows the four connections required, where the VDD for the digital temperature sensor can be provided continuously or by a GPIO pin for easy power-on and off.

Table 3-1. Wiring Scheme for MSP430FR6047EVM and TIDA-010002

| MSP430FR6047EVM | TIDA-010002 | COMMENT |
|-------------------|-------------|--|
| SCL (J5.17) | SCL | I2C from eUSCI_B0 |
| SDA (J5.19) | SDA | I2C from eUSCI_B0 |
| GND (J6.2) | GND | |
| GPIO P8.0 (J6.18) | VDD on/off | used for power cycling of the first DRTD |
| GPIO P7.5 (J6.20) | VDD on/off | used for power cycling of the second DRTD |
| VDD (J5.1) | VDD | alternative to GPIO8.0; used for continuous powering of DRTD |

3.1.2 Interface Test Software for TMP116

Note, the same setup and procedure can be followed to interface to the TMP117 sensor for testing. The TMP116 and TMP117 are also register compatible.

The TIDA-010002 has been tested together with the [EVM430-FR6047](#), a reference development platform used to evaluate the performance of the MSP430FR6047 for ultrasonic sensing applications, such as smart water or *Heat Meters*. The highly-accurate flow measurement of the MSP430FR6047 MCU in combination with the Class AA sensor temperature accuracy delivers a cost-optimized, ultra-low-power hardware platform for designing *Heat and Cooling Meters* or *Heat Calculators*.

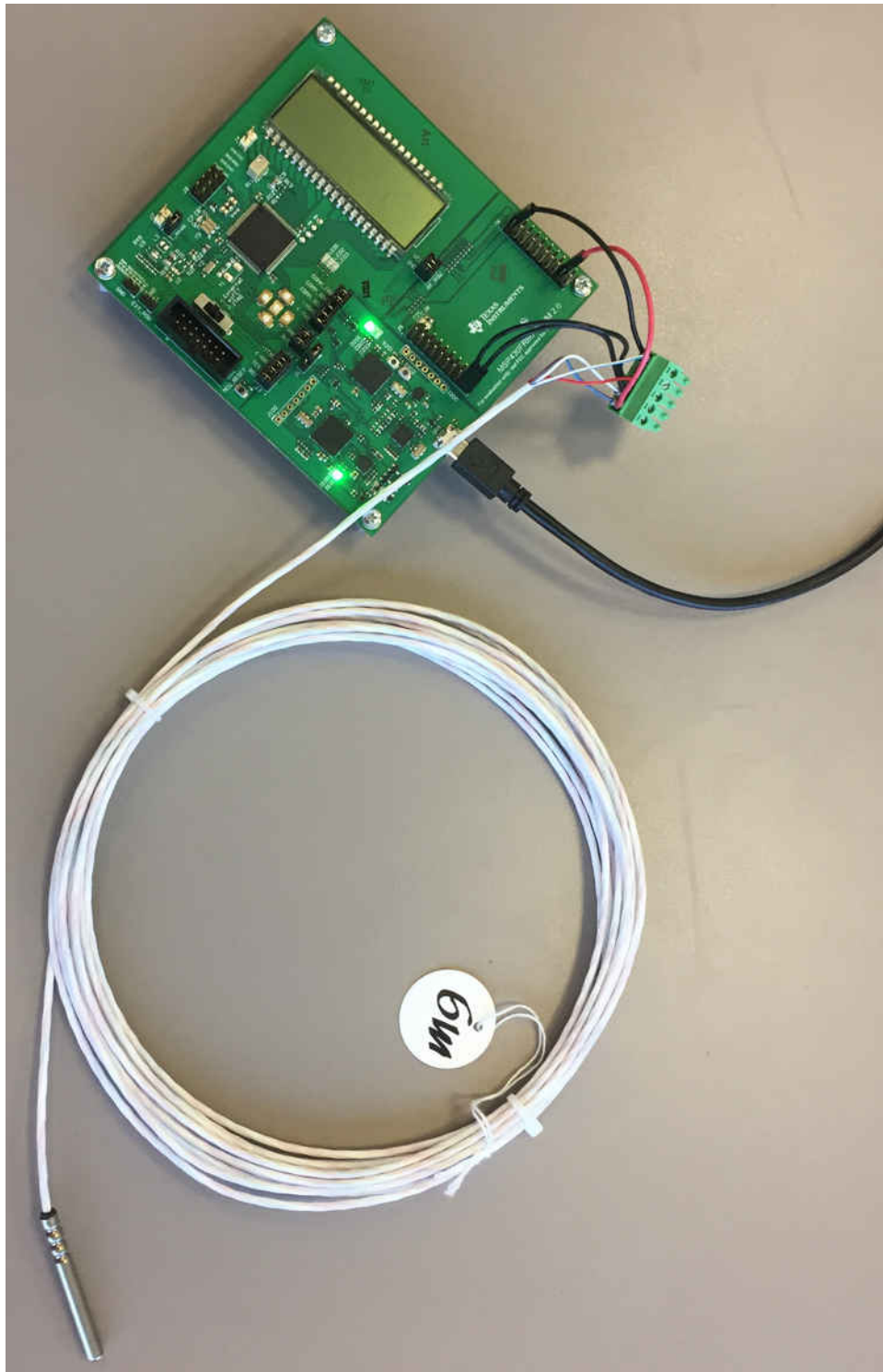


Figure 3-1. EVM430-FR6047 With a 6-m DRTD (TIDA-010002 is Sealed Inside the Metal Body)

The MSP430FR6047 application software is called *Ultrasonic Sensing (USS) Design Center*. To download the software, visit [MSP430 MCUs Ultrasonic Sensing Design Center](#). The MSP-USSSWLIB free software is the basis for the example code provided with the TIDA-010002 design. The MSP-USSSWLIB has three parts, the USSSWLib, the USS Design Center GUI and the Demo Application. As of August, 2018 the latest revision on TI.com is the "[UltrasonicWaterFR6047_02_10_00_05_windows_installer.exe](#)" and contains the "MSP430FR6047EVM_USS_Water_Demo" Code Composer Studio project, which is the one used here.

The "hal_system.c" file was modified to enable MSP430FR6047's eUSCI_B0 as the I2C-master for the TIDA-010002 as the slave. The "main.c" file in "Water_Demo" software project has been modified; both read and write access to the TMP116 device is implemented, including the TMP116 EEPROM write function.

The USCI_A1 module of the MSP430FR6047 has been set to operate as the communication interface to the PC (using the back-channel UART of the MSP430 debugger, integrated onto the EVM). The UART settings are 57600,8N1 and the data being output can be monitored inside the Code Composer Studio [CCSv8.1.0](#) by opening a Terminal window; alternatively the user can run his favorite UART terminal program.

The I2C driver for communication with the TMP116 has been developed, utilizing the existing Hardware Abstraction Layer (HAL) driver for the MSP430FR6047 EVM. The I2C-Address of the TIDA-010002 is hard-wired 0x48 hex, with R3 mounted on the TIDA-010002 PCB (see [Figure 3-1](#)).

The complete modified Demo Application software is available under BSD Clause 3 license as an open source example in [Section 5](#). When using this code project under CCSv8.3 or later the actual temperature reading is printed into the Terminal window, which is displayed in the bottom left in [Figure 3-2](#). The number format in the terminal is two digits before and 4 digits after the decimal point. Thus the string "251328", which is the first data in the COM12 Terminal window, means +25.1328°C.

Note that below 0°C temperature conversion has not been implemented in the text code and must be added by the user.

The code example uses 8 samples averaging with a cycle of 1 second as the default settings for TMP116 to demonstrate the operation of the complete system. The user should adjust the TMP116 settings as appropriate for his specific application.

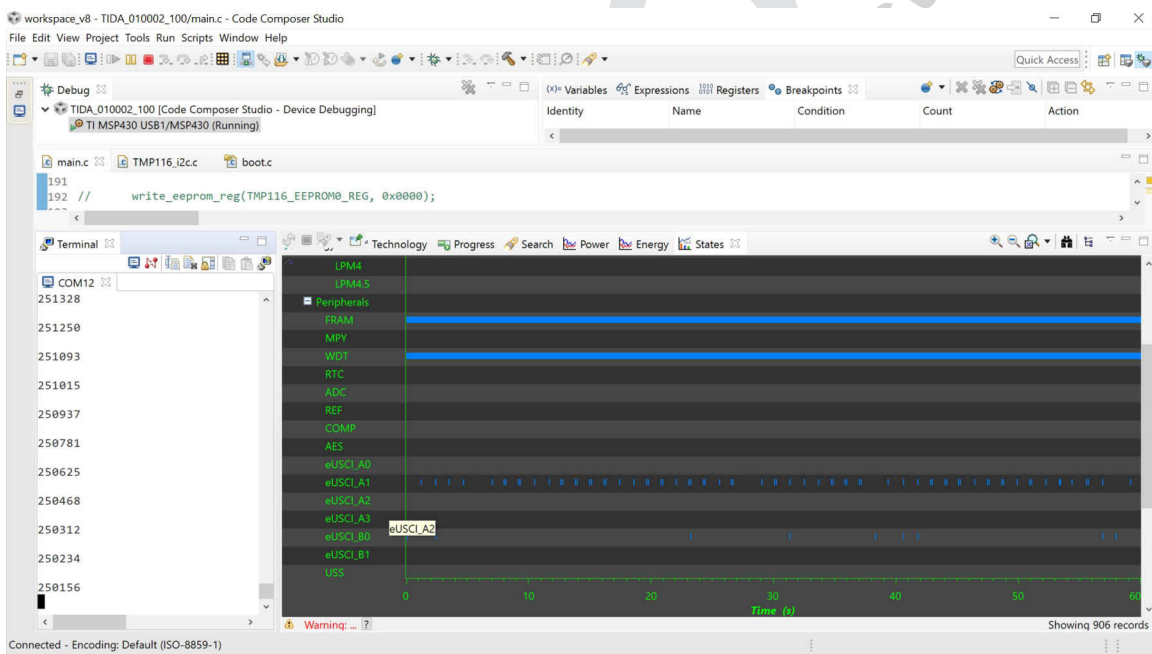


Figure 3-2. TIDA-010002 Code Example With Terminal Output in COM12 and EnergyTrace++

The EnergyTrace++ [Figure 3-2](#) window on the bottom right shows the activity of the MSP430 peripherals - see vertical blue stripes in the lines eUSCI_A1 and eUSCI_B0.

3.2 Testing and Results

For testing the temperature measurement accuracy, 1.5 meter digital probes with the TMP117 were designed and assembled by JUMO 11.

3.2.1 Test Setup for Performance Testing

The *TMP117 High-Precision Digital Temperature Sensor Evaluation Module* was used to connect the DRTDs and capture all measurement data; all tests were done at 3.3 V.

The DRTD sensors have been placed as the DUT (Device Under Test) in a stirred oil bath with controlled temperature for measuring the temperature offset accuracy and response time.

The sensors were also tested for still air response time and compared to other TI boards with the TMP device. Several items of precision measurement equipment were used during the tests documented in this chapter:

- Oil bath Fluke 7320 or 7340 with Galden HT200 fluid
- Fluke 1502A meter with accuracy up to $\pm 0.006^{\circ}\text{C}$
- Secondary standard PRT probe Fluke 5628 with calibrated accuracy of $\pm 0.006^{\circ}\text{C}$ at 0°C

3.2.2 EMI and EMC Test Requirements for DRTD

The TMP117 has been tested extensively for EMI/EMC using IEC defined electromagnetic compatibility standards with testing conditions defined as per the EN-1434 standard. The testing details and standards are summarized below.

- EN 61000-4-2 (ESD): Air 8 kV / Contact 4 kV, single discharge, 10 times / discharging point
- EN 61000-4-3 (HF fields, cable >1.2 m): 26-1000 MHz; 3 V / m or 10 V / m (Class C), AM (1 kHz) 80%
- EN 61000-4-4 (Fast Bursts for Signal and DC lines > 1.2 m): 1.0 kV $\pm 10\%$; 5-ns rise time; peak time 50 ns, with 5 kHz; Burst length 15 ms, Burst period 300 ms; 50 Ω output impedance for transient generator; 60 s for positive and negative bursts each
- EN 61000-4-5 (for all cable connections > 10 m): 0.5 kV, 1.2/50 μs , 8/20 μs
- EN 61000-4-6 (AM modulated HF): 0.15 to 26 MHz, 3 V (10 V for Class C) AM (1 kHz) 80%
- EN 61000-4-8 (EM field) must be tested 60 A / m (Class A and B) and 100 A / m (Class C)
- RF emissions (conducted and radiated) as per EN55022

3.2.3 TMP117 EMI/EMC Test Results

The TMP117 has been tested using the requirements as per the standards summarized above. [Table 3-2](#) below illustrates the results of the testing. As you can see, the TMP117 passes all of the listed standards. This design showcases the setup and subsequent results obtained when performing the test as per IEC61000-4-3.

Table 3-2. TMP117 EMI/EMC Test Results

| Test Number | Standard | Environment Class | Number of Samples | Result |
|-------------|---|-------------------|-------------------|--------|
| 1 | EN 61000 4-2 Electrostatic discharge, Contact | A,C | 2 | Pass |
| | EN 61000 4-2 Electrostatic discharge, Air | A,C | 2 | Pass |
| 2 | EN 61000-4-3 Electromagnetic field | A | 2 | Pass |
| | EN 61000-4-3 Electromagnetic field | C | 2 | Pass |
| | EN 61000-4-3 Electromagnetic field specifically caused by digital radio equipment | A | 2 | Pass |
| | EN 61000-4-3 Electromagnetic field specifically caused by digital radio equipment | C | 2 | Pass |
| 3 | EN 61000-4-4 Fast transients (bursts) | A,C | 2 | Pass |
| 4 | EN 61000-4-5 | A,C | 1 | Pass |
| 5 | EN 61000-4-6 | A | 2 | Pass |
| | EN 61000-4-6 | C | 2 | Pass |

Table 3-2. TMP117 EMI/EMC Test Results (continued)

| Test Number | Standard | Environment Class | Number of Samples | Result |
|-------------|--|-------------------|-------------------|--------|
| 6 | EN 61000-4-8 | A | 2 | Pass |
| | EN 61000-4-8 | C | 2 | Pass |
| 7 | EN 55022 Conducted emission on signal and power DC lines | A,C | 2 | Pass |
| 8 | EN 55022 | A,C | 2 | Pass |

The EN 61000-4-3 standard is used to determine a device's immunity to electromagnetic radiation. Four different tests were completed; two of them dealt with an electromagnetic field specifically caused by digital radio equipment. The testing requirement for this standard is shown below in [Table 3-3](#) and [Table 3-4](#).

Table 3-3. Test Requirements for Electromagnetic Field

| Environment Class | A | B | C |
|-------------------|-----------------|---------|----------|
| Frequency Range | 26 MHz–1000 MHz | | |
| Test Level | 3 V / m | 3 V / m | 10 V / m |
| Modulation | AM (1KHz) 80% | | |

Table 3-4. Test Requirements for Electromagnetic Field Caused by Digital RF

| Environment Class | A | B | C |
|-------------------|--------------------------------------|----------|----------|
| Frequency Range | 800 MHz–960 MHz 1850 MHz–2700 MHz | | |
| Test Level | 10 V / m | 10 V / m | 30 V / m |
| Modulation | AM (1 KHz) 80% | | |

[Figure 3-4](#) shows the physical test setup and [Figure 3-3](#) shows the schematic. The TMP117 was tested for frequencies listed in EN-1434 with isolated I2C using digital isolators and shielded copper cables. Dwell time was 30 seconds with frequency steps of 1 MHz. No communication errors or abrupt change in temperature

measurement was observed. No sudden change in temperature measurement was observed after removing the field.

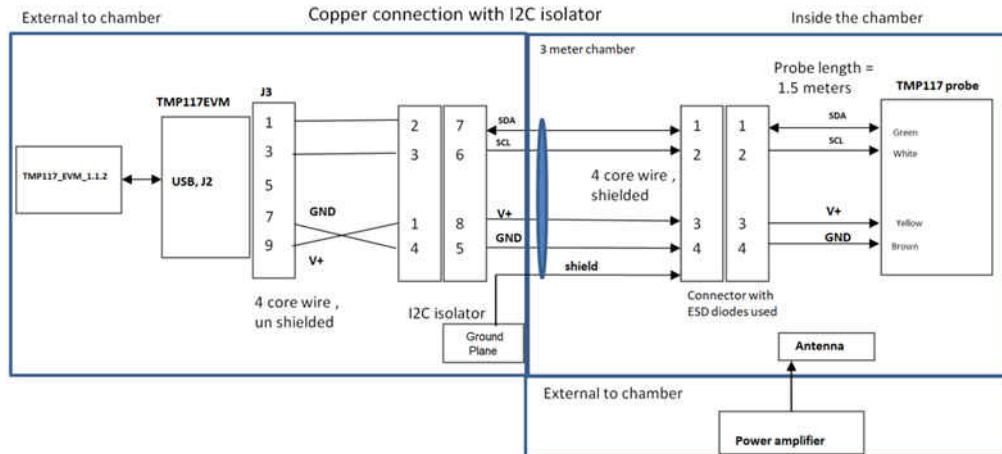


Figure 3-3. EN 61000-4-3 Test Setup Diagram

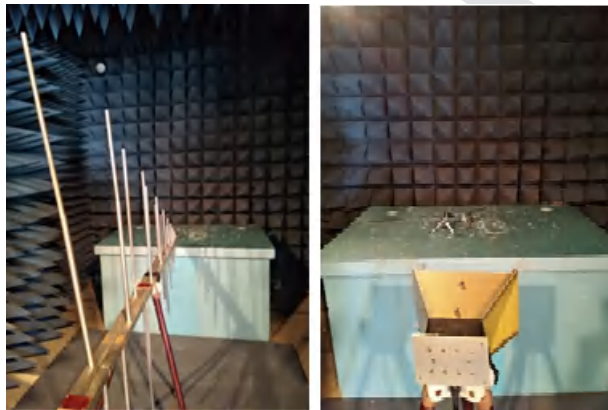


Figure 3-4. EN 61000-4-3 Setup Inside the Chamber

3.2.4 TMP117 Based Temperature Probe Measurement Performance Test Results

For the following different test conditions, data is taken with the DRTD using both the TMP117 and TMP116 devices. The TMP117 is the recommended device due to the increased accuracy. However, since both temperature sensors will fit the application, data is shown for both. In this section, data was taken with 3 different TMP117 probes to ensure accurate results. See [Section 3.2.5](#) for TMP116 probe results.

The DRTD probes were immersed into a precision Fluke oil bath with Galden HT200 oil, and ten values were read out for each temperature point. The measured range is from -20°C to 130°C in steps of 5 degrees C; the

worst (largest) deviation from each of these ten values per step has been plotted for the respective temperature measurement point in [Figure 3-5](#).

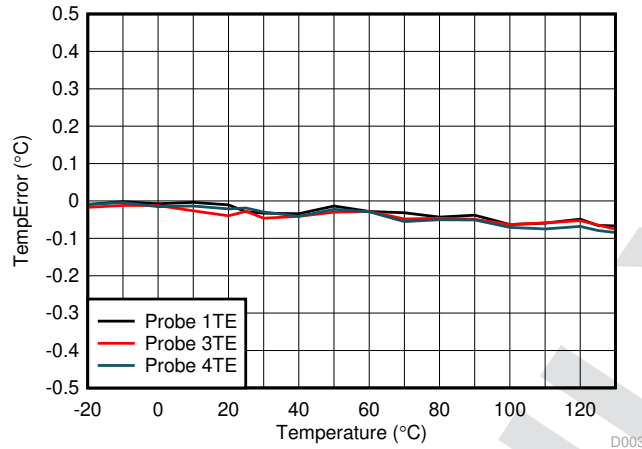


Figure 3-5. TMP117 DRTD –20°C to 130°C Temperature Error Drift

TI's DRTD achieves class AA accuracy.

The Class AA accuracy achieved with this TIDA-010002 DRTD unit without calibration is *not* ensured for all TMP117 devices by default. Due to the average $\pm 3\sigma$ spread of the devices (see the [TMP117x High-Accuracy, Low-Power, Digital Temperature Sensor With SMBus- and I2C-Compatible Interface Data Sheet](#)), a single-point calibration is needed to minimize the temperature offset, either at 0°C using an ice bath or at room temperature, for example. [Figure 3-5](#) shows that a DRTD probe with the TIDA-010002 inside *can* meet the Class AA limits for temperature offset without calibration. This is assuming the specific device performs close to the average curve shown in the data sheet.

EN60751:2008 requires that all RTDs are checked at one temperature point between –5°C and 30°C, preferably at 0°C. Class A and Class AA thermometers, which utilize the TIDA-010002, require a second check at a temperature of 90°C above the first one; this could be 0°C and 90°C or 3°C and 93°C, for example.

As the response time of the temperature sensor is an important parameter for standard RTDs, the TIDA-010002 performance was measured in stirred oil and still air for comparison. Stirred oil results are relevant for applications where the DRTD has direct contact with the fluid, as is the case with *Heat and Cooling Meters*. In [Figure 3-6](#) the TMP117 DUT has an average initial temperature of 22°C and is inserted into a 70°C hot oil bath and the DUT reported temperature has been logged.

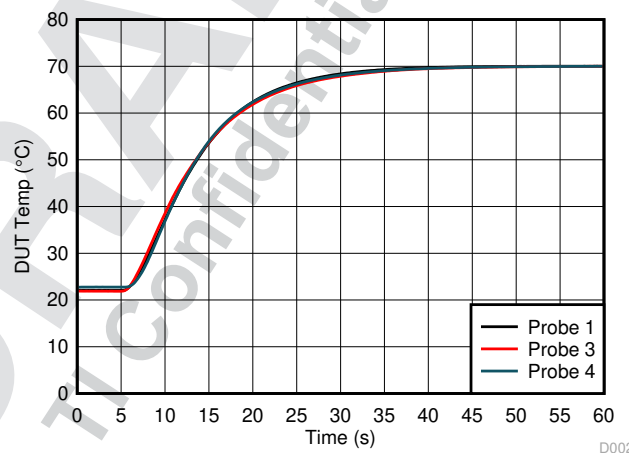


Figure 3-6. TMP117 DRTD Response Time in Stirred Oil Bath

The results for the three TMP117 probes is almost identical. It takes approximately 55 seconds for the probes to reach the oil temperature of 70°C. The still air response time of three DRTD probes is shown in [Figure 3-7](#).

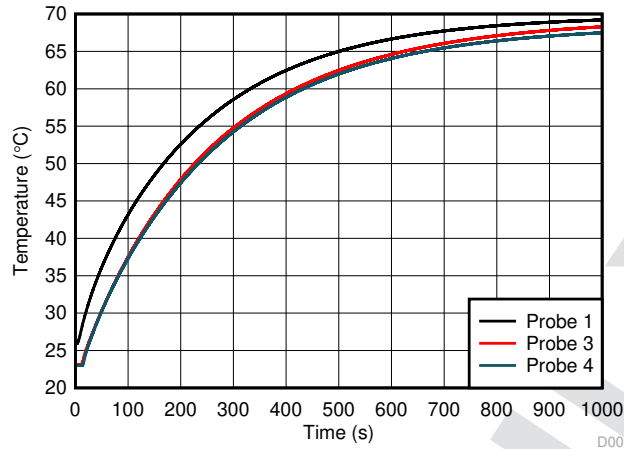


Figure 3-7. TYPICAL DRTD Response Time in Still Air

3.2.5 TMP116 Based Temperature Probe Measurement Performance Test Results

Similar to the TMP117 probe, our TMP116 DRTD probe was immersed into the precision Fluke oil bath with Golden HT200 oil. The temperature offset graph is shown in [Figure 3-8](#).

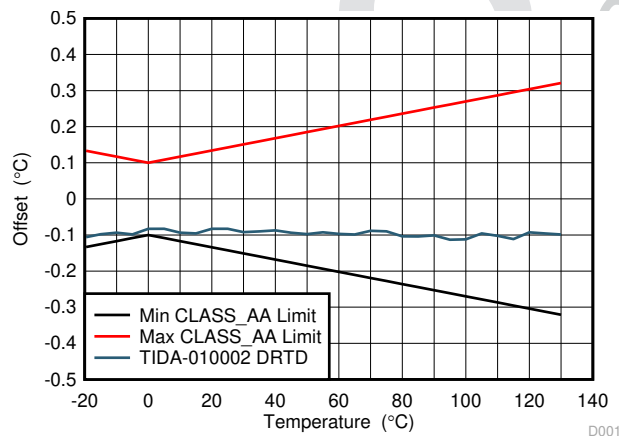


Figure 3-8. TYPICAL DRTD -20 to 130C Temp. Error Drift

Note that the Class AA accuracy achieved with this TIDA-010002 DRTD unit without calibration is *not* guaranteed for all TMP116 devices by default. The DRTD probes using the TMP117 and TMP116 both achieve class AA accuracy and the offset values between the two probes are very similar as expected.

Similar to [Section 3.2.4](#), response time was measured in both stirred oil and still air. In [Figure 3-9](#), the DUT has initial temperature of 20.5°C and is inserted into a 70°C hot oil bath and the DUT reported temperature has been logged. The response time in the oil bath between the TMP117 and TMP116 probes is very similar; it takes approximately 55 seconds for the probes to reach the oil temperature of 70°C.

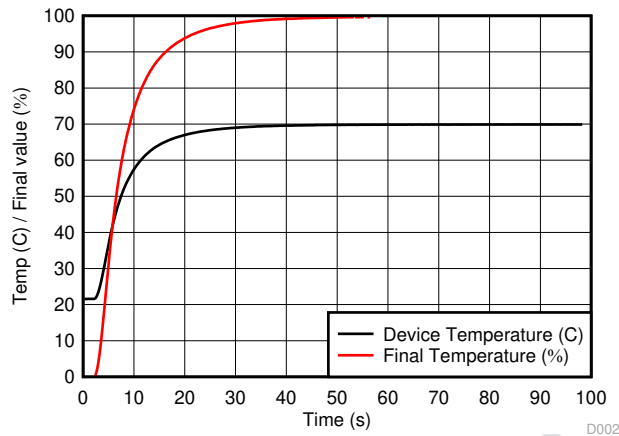


Figure 3-9. TMP116 DRTD Response Time in Stirred Oil Bath

The still air response time of two DRTD probes, named DUT1 and DUT2, is shown in Figure 3-10 and also compared to other TI test boards with the TMP116 thermal pad either soldered or not soldered. Obviously, the DRTD probes with their metal sheath and much larger thermal mass have a longer response time but after a delay of approximately 400 seconds they are equal to a bare PCB with TMP116. TP means *Thermal Pad* and tests have been made to compare the performance with and without soldering the thermal pad (for details see [Precise Temperature Measurements with TMP116](#)).

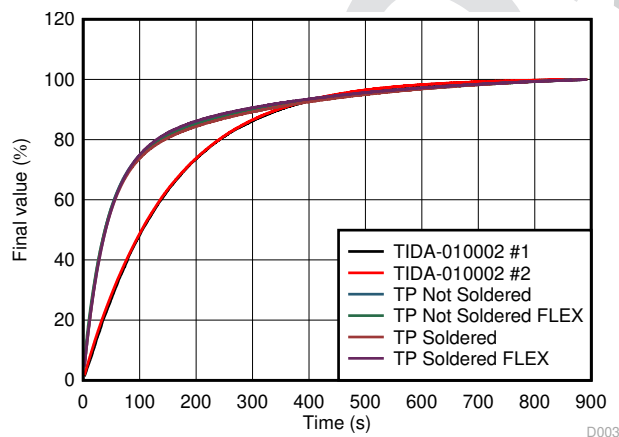


Figure 3-10. TMP116 DRTD Response Time in Still Air

3.2.6 I2C-bus Cable Length Considerations

The 4-wire digital interface with I2C-bus operation has been verified with multiple DRTD probes of 2, 4, 6, 8 and 10-m cable length. An external 4.7-kΩ pullup resistors for the SCL line has been used.

Note that the I2C-bus specification defines maximum bus capacity which limits the possible cable length. The distance achieved (10 m was the maximum cable length DRTD probe available) depends on the parameters of the 4-wire cable used as well as from the driving capability of the I2C-master device (here a MSP430FR6047 MCU). Multiple oscilloscope plots of data transfer taken for cable lengths of 6 m, 8 m, and 10 m show that for longer cable distances bit errors probability increases as the signal rise and fall times get longer and the total capacitance of each wire goes beyond the I2C-bus limit of 400-pF maximum due to its cable length.

Nevertheless, the I2C specification mentions that using higher driver strength device than 3 mA for Fast mode with 400 kHz clock frequency can help overcome this limitation. The MSP430FR6047 Digital IO pins can drive up about 10-mA low-level output current at about 0.6-V output voltage, when the MSP430 supply voltage VCC = 2.2 V.

It is user's responsibility to verify which is the maximum achievable cable length for worst case conditions of both VDD supply voltage levels (for example, a primary battery LiMnO2, discharged down to 2.5 V) and the ambient operating temperature of the application (for example, *Heat Meter*).

The peak case ± 11.13 mK inaccuracy of the TIDA-010002 DRTD probe is significantly better than the limit of ± 700 mK, set in prEN1434- 5:2014, when comparing each RTD sensor behavior with the ideal RTD plot using the EN 60751 Callender-Van-Dusen (CVD) reference equation. The compliance with this limit has to occur for 3 typical temperature points, for example at 10°C, 30°C, and 50°C, which is verified in [Figure 3-8](#).

3.2.7 Power Supply

Heat and Cooling Meters are typically battery power devices, thus a key design criteria is the implementation of a temperature measurement sub-system with ultra-low-power consumption.

The lowest operating voltage of 1.8 V for TMP117 reduces the total power consumption and enables maximum utilization of the available battery capacity, which is an excellent fit for LiMnO₂ 3.0-V primary cells with typical "cutoff" voltage of 2.0 V.

The TIDA-010002 works well also with 3.6 V LiSoCl₂ cells, the latter usually have their cutoff voltage around 3.1 or 3.2 V, depending on the application.

The EVM430FR6047 together with DRTD probe was tested successfully down to 2.05 V by powering the complete setup thru an external E3631A Agilent DC power supply.

3.2.8 ESD Test Results for TMP116

Using industry standard ESD test generators calibrated to the IEC/EN test waveforms, TIDA-010002 PCB has been tested for ESD compliance as shown in [Table 3-5](#). For more details on the ESD test setup used, see [IEC 61000-4-x Tests for TI's Protection Devices](#).

As per the EN1434-4 requirements, EN61000-4-5 testing is only applicable if the cable length for the RTD sensor is longer than 10 m, which is quite challenging for I²C-bus connection. Nevertheless, a surge test has been run with an actual pulse voltage of 29 V through a 2-Ω load plus the 2.83-Ω dynamic resistance of the ESD device and the TMP116 downstream device.

For a surge test with a 42-Ω load (2 Ω is the CWG source impedance and 40 Ω from the coupling network) plus the ESD351 + TMP116 dynamic resistance of 2.83 Ω the result is 44.83 times the amount of current 6 A or approximately 269 V.

The 269 V are almost half of the 500 V, required for signal cables longer than 10 m.

Table 3-5. ESD Testing of TIDA-010002

| EN 61000-4-2 ESD TEST LEVEL | CONTACT DISCHARGE TEST VOLTAGE (± kV) | AIR DISCHARGE TEST VOLTAGE (± kV) | TIDA-010002 WITH ESD351 |
|-----------------------------|---------------------------------------|-----------------------------------|-------------------------|
| 4 | 8 | 15 | passed |

The ESD compliance achieved and listed in [Table 3-5](#) is nearly double of the required (as per EN 1434-4:2014-04) limits for contact discharge of 4 kV and air discharge of 8 kV.

Here the TPD1E04U04 device can be an alternative, as it is specified for ± 16 kV IEC 61000-4-2 level 4 ESD protection, which is also above the required minimum.

Either of the ESD351 or TPD1E04U04 protection devices can be populated as they share a single 0402 footprint on the TIDA-010002 PCB, providing alternatives based on price or performance.

3.2.9 Summary

The test results for the TIDA-010002 reference design mounted into a metal body with a 4-wire cabling proves that the measurement accuracy meets Class AA thermometer requirements as per [DIN EN 60751:2008](#) (German and EU norm).

A single (1-point) offset adjustment is necessary to achieve Class AA accuracy over the full temperature range of the TIDA-010002 from -55°C to $+150^{\circ}\text{C}$; no TMP117 calibration is necessary if Class A accuracy is sufficient for the user application.

Overall, DRTDs offer the highest accuracy of Class A or Class AA RTD sensors in combination with the unique feature of EEPROM on-chip memory for storing user defined calibration data.

The storage of calibration data per DRTD sensor is a major advantage versus standard platinum RTDs and enables significant cost savings for the sensor manufacturer and sensor end customers by reducing the paperwork and calibration data handling effort.

The wider operating temperature range of -55°C enables higher precision in multiple applications beyond metering.

ESD61000-4-2 level 4 compliance for contact discharge test voltage of ± 8 kV and air discharge test voltage of ± 15 kV has been verified.

If no backwards compatibility to the PT sensors interface is required, as is the case for many *Heat and Cooling Meters*, where the PT sensors and the flow meter subsystem build a single unit and can only be replaced altogether, the introduced TIDA-010002 DRTD can deliver system cost savings, due to simplified handling of calibration data, the removal of multiple passive components and simplified PCB design due to the elimination of matched signal PCB traces. Also, the complicated resistance to temperature conversion calculations compared to traditional industrial thin-film RTD sensors are completely redundant, making the user application code development much simpler and saving some extra power due to less MCU operation cycles.

Detailed test results including pictures, test conditions, plots, and results are available and can be provided based on request.

DRAFT
TI Confidential – NDA Restrictions

4 Design Files

4.1 Schematics

To download the schematics, see the design files at [TIDA-010002](#).

4.2 Bill of Materials

To download the bill of materials (BOM), see the design files at [TIDA-010002](#).

4.3 Layout Prints

To download the layer plots, see the design files at [TIDA-010002](#).

4.4 Altium Project

To download the Altium Designer® project files, see the design files at [TIDA-010002](#).

4.5 Gerber Files

To download the Gerber files, see the design files at [TIDA-010002](#).

4.6 Assembly Drawings

To download the assembly drawings, see the design files at [TIDA-010002](#).

5 Software Files

To download the software files, see the design files at [TIDA-010002](#).

6 Related Documentation

1. [DIN EN 60751:2008](#) (German and EU norm)
2. Beuth, [EN1434-1 through -6](#)
3. Texas Instruments, [3-Wire RTD Measurement System Reference Design, -200°C to 850°C](#)
4. [Directive 2014/32/EU of the EUROPEAN PARLIAMENT and of COUNCIL of 26 February 2014](#)
5. Texas Instruments, [TMP117 High-Precision Digital Temperature Sensor Evaluation Module](#)
6. Texas Instruments, [Wearable Temperature Sensing Layout Considerations Optimized for Thermal Response Application Report](#)
7. Texas Instruments, [Precise Temperature Measurements with TMP117 Application Report](#)
8. Texas Instruments, [USB2ANY Interface Adapter](#)
9. Texas Instruments, [IEC 61000-4-x Tests for TI's Protection Devices](#)
10. NXP Semiconductors, [I2C-bus specification and user manual](#), UM10204, Rev.6
11. [JUMO GmbH & Co. KG](#)

6.1 Trademarks

MSP430™, SimpleLink™, E2E™, and BoosterPack™ are trademarks of Texas Instruments.

Altium Designer® is a registered trademark of Altium LLC or its affiliated companies.

Wi-Fi® is a registered trademark of Wi-Fi Alliance.

All trademarks are the property of their respective owners.

7 About the Author

MILEN STEFANOV (M.Sc.E.E) is a system engineer at TI, working in the Grid Infrastructure field and an expert in RF communication technologies and metering applications. After graduating there, he spent 5 more years as a research assistant at the University of Chemnitz (TUC) and the following 3.5 years as a system engineer in the semiconductor industry with focus on high-speed optical and wired communications. He joined TI in 2003 to become a Wi-Fi® expert and support TI's Wi-Fi products at major OEMs. Since 2010, he has focused on metering and Sub-1 GHz RF solutions for the European Grid Infrastructure market. Mr. Stefanov has published multiple articles on wM-Bus technology in several European magazines and presented technical papers at the Wireless Congress and Smart Home & Metering summits in Munich.

CAL MUCKELBAUER is a systems engineer at TI, where he is responsible for developing reference design solutions for the Grid Infrastructure segment. He joined TI in 2019 immediately after graduating with a bachelors of Science in electrical engineering from University of Maryland, College Park.

KALLIKUPPA MUNIYAPPA SREENIVASA is a systems architect at Texas Instruments, where he is responsible for developing reference design solutions for the industrial segment. Sreenivasa brings to this role his experience in high-speed digital and analog systems design. Sreenivasa earned his bachelor of engineering (BE) in electronics and communication engineering (BE-E&C) from VTU, Mysore, India.

8 Revision History

NOTE: Page numbers for previous revisions may differ from page numbers in the current version.

| Changes from Revision * (March 2019) to Revision A (September 2020) | Page |
|---|-------------|
| • Updated to reflect part change from TMP116 to TMP117..... | 1 |
| • Updated table to reflect part change from TMP116 to TMP117..... | 2 |
| • Added <i>Device Recommendation</i> section to reflect part change from TMP116 to TMP117..... | 4 |
| • Added <i>Temperature Sensor - TMP117</i> section and <i>Functional Block Diagram</i> to reflect part change from TMP116 to TMP117..... | 4 |
| • Updated <i>TMP117 Configuration as Temperature Sensor</i> section and <i>TMP117-Based Digital Temperature Sensor Circuit Configuration</i> image..... | 7 |
| • Updated <i>DRTD Test Requirements</i> section to update EMI requirements with new TMP117 part | 13 |
| • Added <i>TMP117 EMI/EMC Test Results</i> section including supporting tables to update EMI requirements with new TMP117 part..... | 13 |
| • Added <i>EN 61000-4-3 Test Setup Diagram</i> and <i>EN 61000-4-3 Setup Inside the Chamber</i> images detailing EMI testing for the TMP117 part..... | 13 |
| • Added the <i>TMP117 Probe Measurement Performance Test Results</i> section including supporting images..... | 15 |
| • Removed <i>PCB Layout Recommendation</i> section | 21 |
| • Add two new authors to the <i>About the Author</i> section..... | 21 |

DRAFT

TI Confidential – NDA Resolutions

IMPORTANT NOTICE AND DISCLAIMER

TI PROVIDES TECHNICAL AND RELIABILITY DATA (INCLUDING DATA SHEETS), DESIGN RESOURCES (INCLUDING REFERENCE DESIGNS), APPLICATION OR OTHER DESIGN ADVICE, WEB TOOLS, SAFETY INFORMATION, AND OTHER RESOURCES "AS IS" AND WITH ALL FAULTS, AND DISCLAIMS ALL WARRANTIES, EXPRESS AND IMPLIED, INCLUDING WITHOUT LIMITATION ANY IMPLIED WARRANTIES OF MERCHANTABILITY, FITNESS FOR A PARTICULAR PURPOSE OR NON-INFRINGEMENT OF THIRD PARTY INTELLECTUAL PROPERTY RIGHTS.

These resources are intended for skilled developers designing with TI products. You are solely responsible for (1) selecting the appropriate TI products for your application, (2) designing, validating and testing your application, and (3) ensuring your application meets applicable standards, and any other safety, security, regulatory or other requirements.

These resources are subject to change without notice. TI grants you permission to use these resources only for development of an application that uses the TI products described in the resource. Other reproduction and display of these resources is prohibited. No license is granted to any other TI intellectual property right or to any third party intellectual property right. TI disclaims responsibility for, and you will fully indemnify TI and its representatives against, any claims, damages, costs, losses, and liabilities arising out of your use of these resources.

TI's products are provided subject to [TI's Terms of Sale](#) or other applicable terms available either on ti.com or provided in conjunction with such TI products. TI's provision of these resources does not expand or otherwise alter TI's applicable warranties or warranty disclaimers for TI products.

TI objects to and rejects any additional or different terms you may have proposed.

Mailing Address: Texas Instruments, Post Office Box 655303, Dallas, Texas 75265
Copyright © 2022, Texas Instruments Incorporated