

TL103Wx Dual Operational Amplifiers With Internal Reference

1 Features

- New [TL103WB](#), a pin-compatible upgrade to the TL103W and TL103WA
- Improved specifications of B version amplifiers:
 - Supply range: 3V to 36V
 - Low maximum input offset voltage: $\pm 2\text{mV}$ (25°C) and $\pm 2.5\text{mV}$ (full temperature)
 - Gain bandwidth: 1.2MHz
 - Total supply current: $550\mu\text{A}$
 - EMI rejection: integrated RF and EMI filter
 - Temperature range: -40°C to 125°C
- Improved specifications of B version reference:
 - Fixed 2.5V reference
 - Tight tolerance maximum of 0.44% (25°C) and 1.04% (full temperature)
 - Wide sink-current range: 0.2mA (typical) to 100mA

2 Applications

- [Battery chargers](#)
- Switch-mode power supplies
- Linear voltage regulation
- [Data-acquisition systems](#)
- Precision constant current sink

3 Description

The TL103Wx devices combine the building blocks of a dual operational amplifier and a fixed voltage reference – both of which are often used in the control circuitry of switch-mode and linear power supplies. OP AMP1 has the noninverting input internally tied to a fixed 2.5V reference, while OP AMP2 is independent, with both inputs uncommitted.

The upgraded TL103WB features improvements such as a wider supply range (up to 36V), lower supply current ($275\mu\text{A}/\text{amp}$) and tighter voltage regulation. This regulation can be achieved through low offset voltages for both operational amplifiers (0.3mV typical) and tight tolerances for the voltage reference (0.44% at 25°C and 1.04% over operating temperature range).

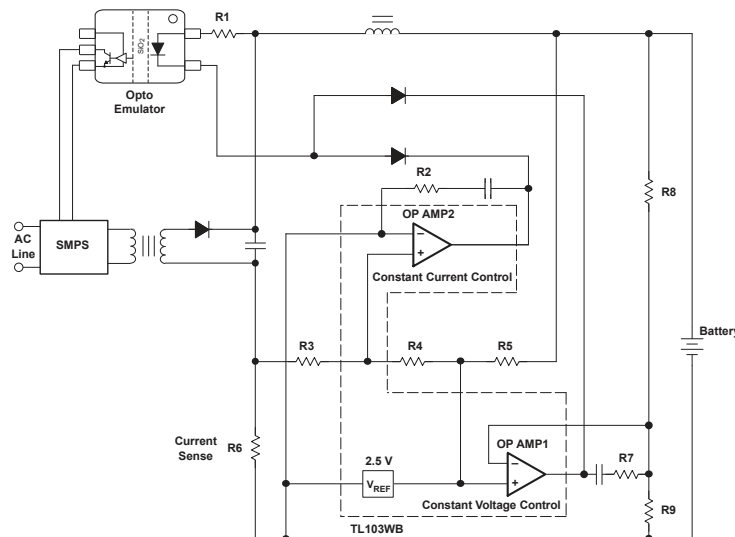
The TL103WB has a widened temperature range of -40°C to 125°C .

Package Information

| PART NUMBER | CHANNEL COUNT | PACKAGE ⁽¹⁾ | PACKAGE SIZE ⁽²⁾ |
|-------------------|------------------|------------------------|-----------------------------|
| TL103W TL103WA | Dual + Reference | D (SOIC, 8) | 4.9mm × 6mm |
| TL103WB | | D (SOIC, 8) | 4.9mm × 6mm |
| | | DDF (SOT-23, 8) | 2.9mm × 2.8mm |

(1) For more information, see [Section 10](#).

(2) The package size (length × width) is a nominal value and includes pins, where applicable.



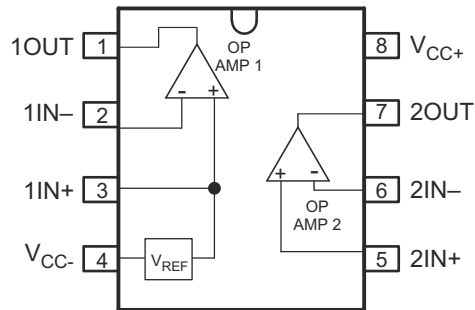
Typical Application Circuit



Table of Contents

| | | | |
|--|----|--|----|
| 1 Features | 1 | 6.3 Feature Description..... | 12 |
| 2 Applications | 1 | 6.4 Device Functional Modes..... | 13 |
| 3 Description | 1 | 7 Application and Implementation | 14 |
| 4 Pin Configuration and Functions | 3 | 7.1 Application Information..... | 14 |
| 5 Specifications | 4 | 7.2 Typical Applications..... | 14 |
| 5.1 Absolute Maximum Ratings..... | 4 | 7.3 Power Supply Recommendations..... | 17 |
| 5.2 ESD Ratings..... | 4 | 7.4 Layout..... | 17 |
| 5.3 Recommended Operating Conditions..... | 4 | 8 Device and Documentation Support | 19 |
| 5.4 Thermal Information..... | 5 | 8.1 Documentation Support..... | 19 |
| 5.5 Electrical Characteristics: OP AMP1 (V_{REF} at Noninverting input)..... | 5 | 8.2 Receiving Notification of Documentation Updates.... | 19 |
| 5.6 Electrical Characteristics: OP AMP2 (Independent Amplifier)..... | 6 | 8.3 Support Resources..... | 19 |
| 5.7 Typical Characteristics: TL103WB..... | 8 | 8.4 Trademarks..... | 19 |
| 6 Detailed Description | 12 | 8.5 Electrostatic Discharge Caution..... | 19 |
| 6.1 Overview..... | 12 | 8.6 Glossary..... | 19 |
| 6.2 Functional Block Diagram..... | 12 | 9 Revision History | 19 |
| | | 10 Mechanical, Packaging, and Orderable Information | 21 |

4 Pin Configuration and Functions



**Figure 4-1. D and DDF Packages,
8-Pin SOIC and SOT-23-THN
(Top View)**

Table 4-1. Pin Functions

| PIN | | TYPE ⁽¹⁾ | DESCRIPTION |
|------------------|-----|---------------------|--|
| NAME | NO. | | |
| 1OUT | 1 | O | Opamp 1 output |
| 1IN- | 2 | I | Opamp 1 inverting input |
| 1IN+ | 3 | I | Opamp 1 non-inverting input and Shunt reference cathode terminal |
| V _{CC-} | 4 | I | Negative Supply Voltage |
| 2IN+ | 5 | I | Opamp 2 non-inverting input |
| 2IN- | 6 | I | Opamp 2 inverting input |
| 2OUT | 7 | O | Opamp 2 output |
| V _{CC+} | 8 | I | Positive Supply Voltage |

(1) I = input, O = output

5 Specifications

5.1 Absolute Maximum Ratings

over operating free-air temperature range (unless otherwise noted)⁽¹⁾

| | | | MIN | MAX | UNIT |
|------------------|--|----------------|---------------------------|------------------|------|
| V _{CC±} | Supply voltage | TL103W/TL103WA | 0 | 36 | V |
| | | TL103WB | 0 | 40 | |
| V _{ID} | Operational amplifier input differential voltage | | | 36 | V |
| V _I | Operational amplifier input voltage range ⁽²⁾ | | (V _{CC-}) - 0.3 | V _{CC+} | V |
| I _{KA} | Voltage reference cathode current | | | 100 | mA |
| T _J | Maximum junction temperature | | | 150 | °C |
| T _{stg} | Storage temperature range | | -65 | 150 | °C |

(1) Stresses beyond those listed under *Absolute Maximum Rating* may cause permanent damage to the device. These are stress ratings only, which do not imply functional operation of the device at these or any other conditions beyond those indicated under *Recommended Operating Condition*. Exposure to absolute-maximum-rated conditions for extended periods may affect device reliability.

(2) Not applicable to pin 4 (1IN+)

5.2 ESD Ratings

| | | | VALUE | UNIT |
|--------------------|-------------------------|--|-------|------|
| V _(ESD) | Electrostatic discharge | Human body model (HBM), per ANSI/ESDA/JEDEC JS-001 ⁽¹⁾ | ±2500 | V |
| | | Charged device model (CDM), per JEDEC specification JESD22-C101 ⁽²⁾ | ±1000 | |

(1) JEDEC document JEP155 states that 500V HBM allows safe manufacturing with a standard ESD control process.

(2) JEDEC document JEP157 states that 250V CDM allows safe manufacturing with a standard ESD control process.

5.3 Recommended Operating Conditions

over operating free-air temperature range (unless otherwise noted)

| | | | MIN | MAX | UNIT |
|------------------|---------------------------------|----------------|------------------|-------------------------|------|
| V _{CC±} | Supply voltage | TL103W/TL103WA | 3 | 32 | V |
| | | TL103WB | 3 | 36 | |
| V _{ICR} | Input common-mode voltage range | | V _{CC-} | (V _{CC+}) - 2 | V |
| I _K | Cathode current | TL103W/TL103WA | 0.5 | 100 | mA |
| | | TL103WB | 0.2 | 100 | |
| T _A | Operating free-air temperature | TL103W/TL103WA | -40 | 105 | °C |
| | | TL103WB | -40 | 125 | |

5.4 Thermal Information

| THERMAL METRIC ⁽¹⁾ | | TL103Wx | | UNIT |
|-------------------------------|--|----------|--------------|------|
| | | SOIC (D) | SOT-23 (DDF) | |
| | | 8 PINS | 8 PINS | |
| R _{θJA} | Junction-to-ambient thermal resistance | 135.4 | 170.1 | °C/W |
| R _{θJC(top)} | Junction-to-case (top) thermal resistance | 77.3 | 89.7 | °C/W |
| R _{θJB} | Junction-to-board thermal resistance | 78.9 | 87.5 | °C/W |
| Ψ _{JT} | Junction-to-top characterization parameter | 27.4 | 7.5 | °C/W |
| Ψ _{JB} | Junction-to-board characterization parameter | 78.1 | 87.3 | °C/W |
| R _{θJC(bot)} | Junction-to-case (bottom) thermal resistance | – | – | °C/W |

(1) For more information about traditional and new thermal metrics, see the [Semiconductor and IC Package Thermal Metrics](#) application report.

5.5 Electrical Characteristics: OP AMP1 (V_{REF} at Noninverting input)

V_{CC+} = 5V, V_{CC-} = GND, T_A = 25°C (unless otherwise noted)

| PARAMETER | | TEST CONDITIONS | | T _A | MIN | TYP | MAX | UNIT | |
|-----------------------|-------------------------------------|---|-----------------------------------|----------------|--------------------|------|------|-------|----|
| AMPLIFIER | | | | | | | | | |
| V _{IO} | Input offset voltage | V _{ICM} = 0V | TL103W | | | ±1 | ±4 | mV | |
| | | | | Full range | | | ±5 | | |
| | | | TL103WA | | | ±0.5 | ±3.0 | | |
| | | | | Full range | | | ±5 | | |
| TL103WB | | | ±0.3 | ±2 | | | | | |
| | Full range | | | ±2.5 | | | | | |
| αV _{IO} | Input offset-voltage drift | | TL103W/TL103WA | Full range | | ±7 | | μV/°C | |
| | | | TL103WB | Full range | | ±2 | | | |
| I _B | Input bias current (negative input) | | TL103W/TL103WA | | | -20 | | nA | |
| | | | TL103WB | | | -15 | | | |
| A _{VD} | Large-signal voltage gain | V _{CC+} = 15V, R _L = 2kΩ, V _{ICM} = 0V | TL103W/TL103WA | | | 100 | | V/mV | |
| | | | TL103WB | | | 210 | | | |
| PSRR | Supply-voltage rejection ratio | V _{CC+} = 5V to 30V, V _{ICM} = 0V | TL103W/TL103WA | | 65 | 100 | | dB | |
| | | | TL103WB | | 99 | 114 | | | |
| I _O | Output current | V _{CC+} = 15V, V _O = 2V, V _{ID} = 1V | Source | | 20 | 40 | | mA | |
| | | | Sink | TL103W/TL103WA | | 10 | 12 | | |
| | | V _{CC+} = 15V, V _O = 0.2V, V _{ID} = -1V | Sink | TL103W/TL103WA | | 12 | 50 | | μA |
| | | | TL103WB | | 60 | 100 | | | |
| V _O | Voltage output swing from rail | V _{CC+} = 30V, R _L = 2kΩ | Positive Rail (V _{CC+}) | TL103W/TL103WA | | 26 | 27 | V | |
| | | | | Full range | | 26 | | | |
| | | TL103WB | | | 27.4 | 28.3 | | | |
| | | | Full range | | 27.4 | | | | |
| | | V _{CC+} = 30V, R _L = 10kΩ | Positive Rail (V _{CC+}) | TL103W/TL103WA | | 27 | 28 | | |
| | | | | Full range | | 27 | | | |
| TL103WB | | | 27.6 | 28.6 | | | | | |
| | Full range | | 27.6 | | | | | | |
| R _L = 10kΩ | Negative Rail (V _{CC-}) | | | 5 | 20 | | | | |
| | | Full range | | | 20 | | | | |
| SR | Slew rate at unity gain | V _{CC+} = 15V, C _L = 100pF, R _L = 2kΩ, V _I = 0.5V to 2V, unity gain | TL103W/TL103WA | | 0.2 | 0.4 | | V/μs | |
| | | | TL103WB | | 0.2 | 0.5 | | | |
| GBW | Gain bandwidth product | V _{CC+} = 30V, V _I = 10mV, C _L = 100pF, R _L = 2kΩ, f = 100kHz | TL103W/TL103WA | | 0.5 ⁽¹⁾ | 0.9 | | MHz | |
| | | V _{CC+} = 36V, V _I = 10mV, C _L = 100pF, R _L = 2kΩ, f = 100kHz | TL103WB | | 0.7 ⁽¹⁾ | 1.2 | | | |

5.5 Electrical Characteristics: OP AMP1 (V_{REF} at Noninverting input) (continued)

$V_{CC+} = 5V$, $V_{CC-} = GND$, $T_A = 25^\circ C$ (unless otherwise noted)

| PARAMETER | | TEST CONDITIONS | | T_A | MIN | TYP | MAX | UNIT |
|--------------------------|---|--|-----------------|------------|-------|-------|-------------------|----------|
| THD | Total harmonic distortion | $V_{CC+} = 30V$, $V_O = 2V_{PP}$, $C_L = 100pF$, $R_L = 2k\Omega$, $f = 1kHz$, $A_V = 20dB$ | TL103W/TL103WA | | | 0.02 | | % |
| | | $V_{CC+} = 36V$, $V_O = 2V_{PP}$, $C_L = 100pF$, $R_L = 2k\Omega$, $f = 1kHz$, $A_V = 20dB$ | TL103WB | | | 0.005 | | |
| I_{CC} | Total supply current, excluding cathode-current reference (both amplifiers) | $V_{CC+} = 5V$, no load | TL103W/TL103WA | Full range | | 0.7 | 1.2 | mA |
| | | $V_{CC+} = 30V$, no load | | | | | 2 | |
| | | $V_{CC+} = 5V$, no load | TL103WB | Full range | | 0.55 | 0.77 | |
| | | $V_{CC+} = 36V$, no load | | | | | 1.35 | |
| VOLTAGE REFERENCE | | | | | | | | |
| V_{ref} | Reference Voltage | $I_K = 10mA$ | TL103W | | 2.482 | 2.5 | 2.518 | V |
| | | | | Full Range | | 2.465 | | 2.535 |
| | | | TL103WA/TL103WB | | 2.489 | 2.5 | 2.511 | V |
| | | | | Full Range | | 2.474 | | 2.526 |
| ΔV_{ref} | Reference input voltage deviation over temperature range | $I_K = 10mA$ | TL103W | Full Range | | 7 | 35 ⁽¹⁾ | mV |
| | | | TL103WA/TL103WB | Full Range | | 7 | 26 ⁽¹⁾ | mV |
| I_{min} | Minimum cathode current for regulation | | TL103W/TL103Wx | | | 0.5 | 1 | mA |
| | | | TL103WB | | | 0.2 | 1 | |
| $ Z_{KA} $ | Dynamic impedance | $I_{KA} = 1mA$ to $100mA$, $f < 1kHz$ | | | | 0.45 | 0.8 | Ω |

(1) Not tested in production, limits set by characterization and simulation.

5.6 Electrical Characteristics: OP AMP2 (Independent Amplifier)

$V_{CC+} = 5V$, $V_{CC-} = GND$, $T_A = 25^\circ C$ (unless otherwise noted)

| PARAMETER | | TEST CONDITIONS | | T_A | MIN | TYP | MAX | UNIT |
|-----------------|---------------------------------|---------------------------|----------------|------------|-----------|-------------------|-----------|------------------|
| V_{IO} | Input offset voltage | $V_{ICM} = 0V$ | TL103W | | | ± 1 | ± 4 | mV |
| | | | | Full range | | | ± 5 | |
| | | | TL103WA | | | ± 0.5 | ± 3.0 | |
| | | | | Full range | | | ± 5 | |
| TL103WB | | | ± 0.3 | ± 2 | | | | |
| | Full range | | | ± 2.5 | | | | |
| αV_{IO} | Input offset-voltage drift | | TL103W/TL103WA | Full range | | ± 7 | | $\mu V/^\circ C$ |
| | | | TL103WB | Full range | | ± 2 | | |
| I_{IO} | Input offset current | | TL103W/TL103WA | | | ± 2 | ± 75 | nA |
| | | | | Full range | | | ± 150 | |
| | | | TL103WB | | | ± 0.5 | ± 4 | |
| Full range | | | | ± 5 | | | | |
| | I_{IB} | Input bias current | TL103W/TL103WA | | | -20 | -150 | nA |
| Full range | | | | | | -200 | | |
| TL103WB | | | | | -15 | -35 | | |
| Full range | | | | | -50 | | | |
| | A_{VD} | Large-signal voltage gain | TL103W/TL103WA | | 50 | 100 | | V/mV |
| Full range | | | | | 25 | 100 | | |
| TL103WB | | | | 77 | 210 | | | |
| | | | Full range | | 45 | 210 | | |
| PSRR | Supply-voltage rejection ratio | $V_{CC+} = 5V$ to $30V$ | TL103W/TL103WA | | 65 | 100 | | dB |
| | | | TL103WB | | 99 | 114 | | |
| V_{ICR} | Input common-mode voltage range | $V_{CC+} = 30V$ | | | V_{CC-} | $(V_{CC+}) - 1.5$ | | V |
| | | | | Full range | V_{CC-} | $(V_{CC+}) - 2$ | | |
| CMRR | Common-mode rejection ratio | $V_{CC+} = 30V$ | TL103W/TL103WA | | 70 | 95 | | dB |
| | | | | Full range | | 60 | | |
| | | | TL103WB | | 93 | 104 | | |
| | | | | Full range | | 70 | | |

5.6 Electrical Characteristics: OP AMP2 (Independent Amplifier) (continued)

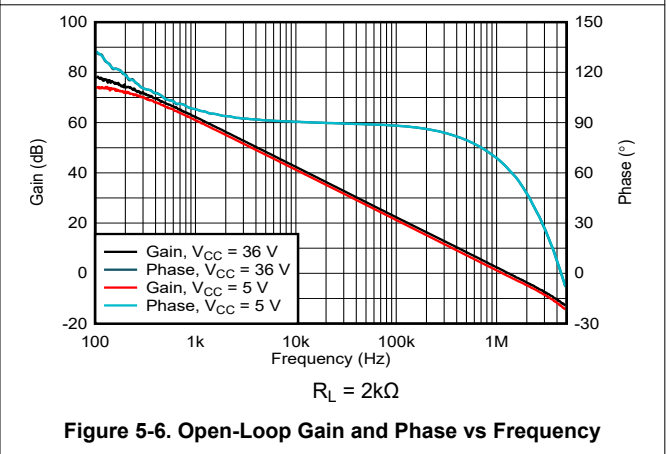
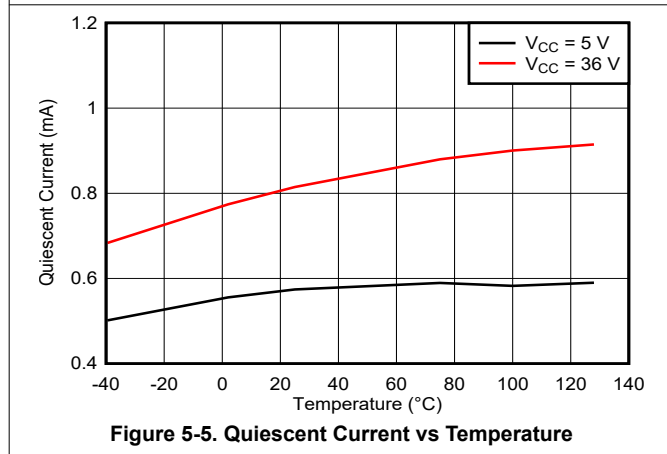
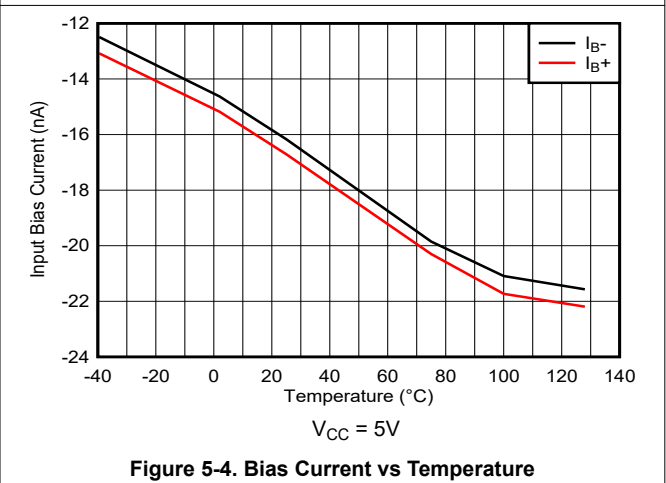
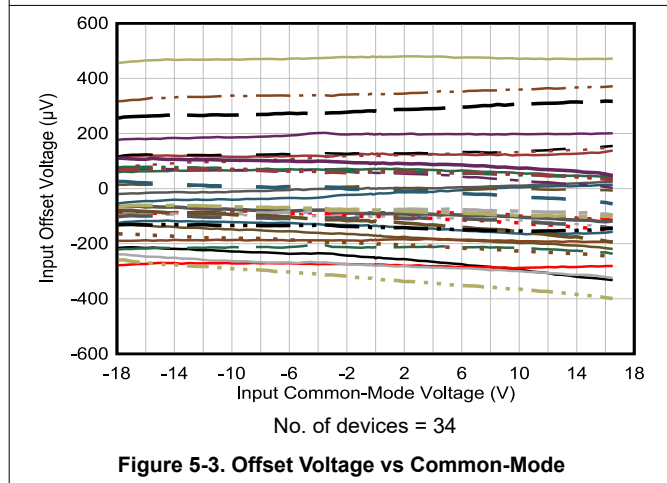
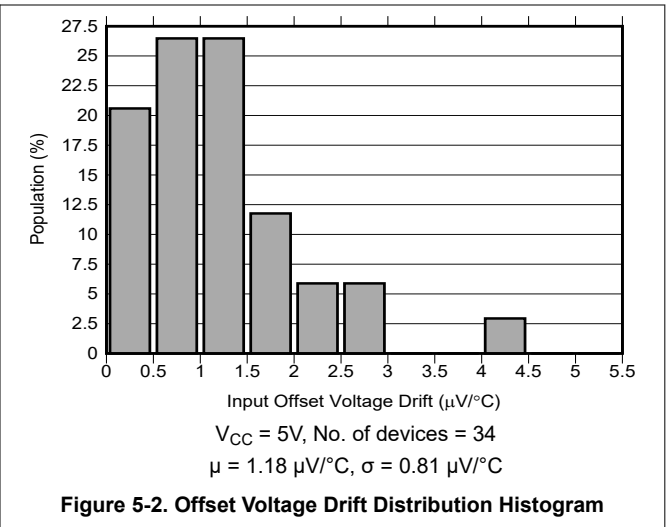
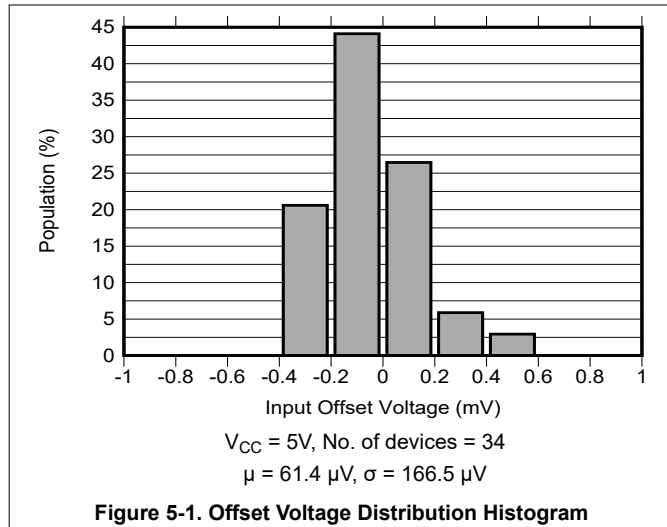
 $V_{CC+} = 5V, V_{CC-} = GND, T_A = 25^\circ C$ (unless otherwise noted)

| PARAMETER | | TEST CONDITIONS | | T_A | MIN | TYP | MAX | UNIT |
|-------------------|---|---|-----------------------------|--------------------|----------|----------|-----------------|---------|
| I_O | Output current | $V_{CC+} = 15V, V_O = 2V, V_{ID} = 1V$ | Source | | 20 | 40 | | mA |
| | | | Sink | TL103W/TL103WA | 10 | 12 | | |
| | | $V_{CC+} = 15V, V_O = 0.2V, V_{ID} = -1V$ | Sink | TL103W/TL103WA | 12 | 50 | | μA |
| | | | | TL103WB | 60 | 100 | | |
| I_{SC} | Short-circuit to GND | $V_{CC+} = 15V$ | | | ± 40 | ± 68 | | mA |
| V_O | Voltage output swing from rail | $V_{CC+} = 30V, R_L = 2k\Omega$ | Positive Rail (V_{CC+}) | TL103W/TL103WA | 26 | 27 | | V |
| | | | | Full range | 26 | | | |
| | | TL103WB | 27.4 | 28.3 | | | | |
| | | | Full range | 27.4 | | | | |
| | | $V_{CC+} = 30V, R_L = 10k\Omega$ | Positive Rail (V_{CC+}) | TL103W/TL103WA | 27 | 28 | | |
| | | | | Full range | 27 | | | |
| TL103WB | 27.6 | 28.6 | | | | | | |
| | Full range | 27.6 | | | | | | |
| $R_L = 10k\Omega$ | Negative Rail (V_{CC-}) | | | 5 | 20 | | mV | |
| | | Full range | | | 20 | | | |
| SR | Slew rate at unity gain | $V_{CC+} = 15V, C_L = 100pF, R_L = 2k\Omega, V_I = 0.5V$ to 2V, unity gain | TL103W/TL103WA | 0.2 | 0.4 | | V/ μs | |
| | | | TL103WB | 0.2 | 0.5 | | | |
| GBW | Gain bandwidth product | $V_{CC+} = 30V, V_I = 10mV, C_L = 100pF, R_L = 2k\Omega, f = 100kHz$ | TL103W/TL103WA | 0.5 ⁽¹⁾ | 0.9 | | MHz | |
| | | $V_{CC+} = 36V, V_I = 10mV, C_L = 100pF, R_L = 2k\Omega, f = 100kHz$ | TL103WB | 0.7 ⁽¹⁾ | 1.2 | | | |
| THD | Total harmonic distortion | $V_{CC+} = 30V, V_O = 2V_{PP}, C_L = 100pF, R_L = 2k\Omega, f = 1kHz, A_V = 20dB$ | TL103W/TL103WA | | 0.02 | | % | |
| | | $V_{CC+} = 36V, V_O = 2V_{PP}, C_L = 100pF, R_L = 2k\Omega, f = 1kHz, A_V = 20dB$ | TL103WB | | 0.005 | | | |
| V_n | Equivalent input noise voltage | $V_{CC+} = 30V, R_S = 100\Omega, f = 1kHz$ | TL103W/TL103WA | | 50 | | nV/ \sqrt{Hz} | |
| | | $V_{CC+} = 36V, R_S = 100\Omega, f = 1kHz$ | TL103WB | | 38 | | | |
| I_{CC} | Total supply current, excluding cathode-current reference (both amplifiers) | $V_{CC+} = 5V, \text{no load}$ | TL103W/TL103WA | | 0.7 | 1.2 | mA | |
| | | $V_{CC+} = 30V, \text{no load}$ | | Full range | | 2 | | |
| | | $V_{CC+} = 5V, \text{no load}$ | TL103WB | | 0.55 | 0.77 | | |
| | | $V_{CC+} = 36V, \text{no load}$ | | Full range | | 1.35 | | |

(1) Not tested in production, limits set by characterization and simulation.

5.7 Typical Characteristics: TL103WB

at $T_A \approx 25^\circ\text{C}$, $V_{CC} = 36\text{V} (\pm 18\text{V})$, $V_{CM} = V_{CC} / 2$, $R_L = 10\text{k}\Omega$ connected to $V_{CC} / 2$ (unless otherwise noted)



5.7 Typical Characteristics: TL103WB (continued)

at $T_A \approx 25^\circ\text{C}$, $V_{CC} = 36\text{V} (\pm 18\text{V})$, $V_{CM} = V_{CC} / 2$, $R_L = 10\text{k}\Omega$ connected to $V_{CC} / 2$ (unless otherwise noted)

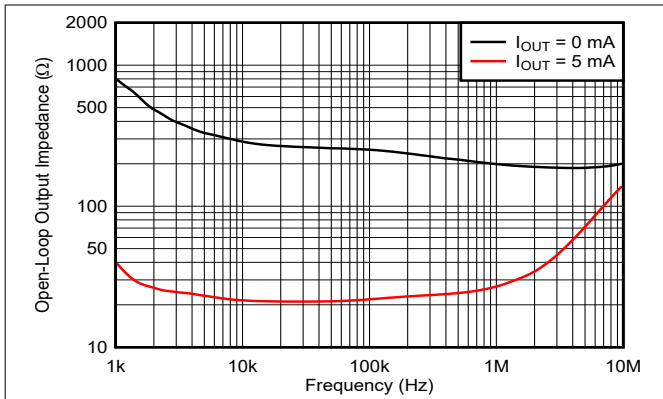


Figure 5-7. Open-Loop Output Impedance vs Frequency

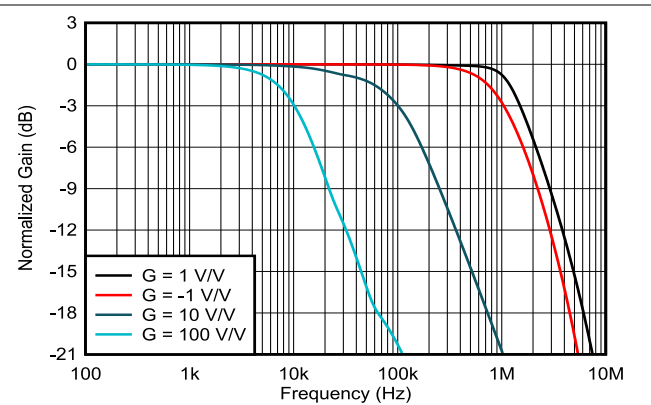


Figure 5-8. Closed-Loop Gain vs Frequency

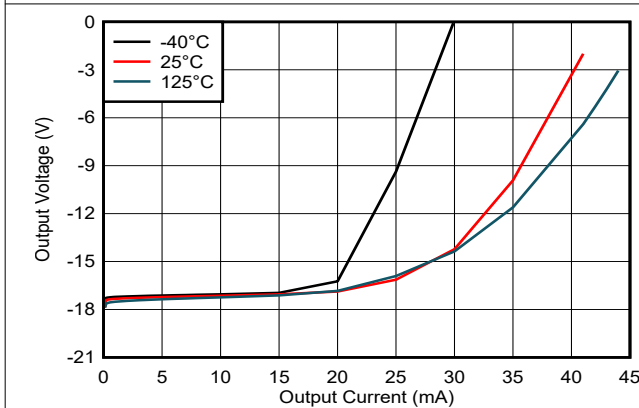


Figure 5-9. Output Voltage vs Output Current (Sinking)

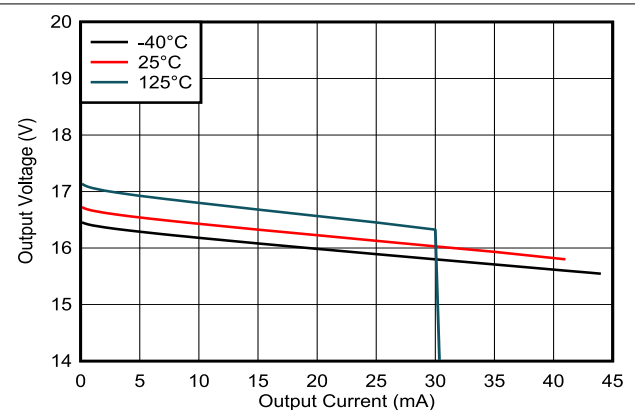


Figure 5-10. Output Voltage vs Output Current (Sourcing)

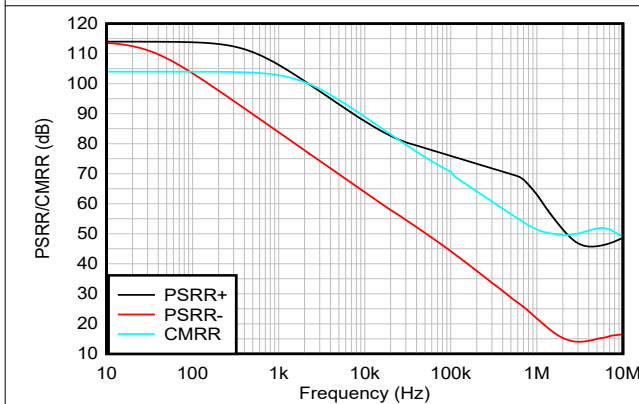


Figure 5-11. PSRR and CMRR vs Frequency

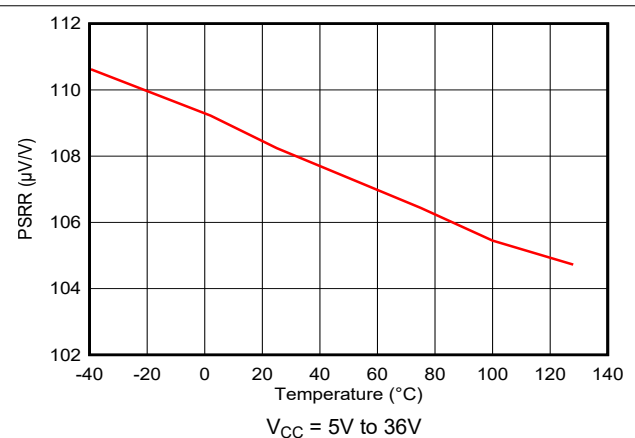


Figure 5-12. Supply-Voltage Rejection Ratio vs Temperature
 $V_{CC} = 5\text{V to }36\text{V}$

5.7 Typical Characteristics: TL103WB (continued)

at $T_A \cong 25^\circ\text{C}$, $V_{CC} = 36\text{V} (\pm 18\text{V})$, $V_{CM} = V_{CC} / 2$, $R_L = 10\text{k}\Omega$ connected to $V_{CC} / 2$ (unless otherwise noted)

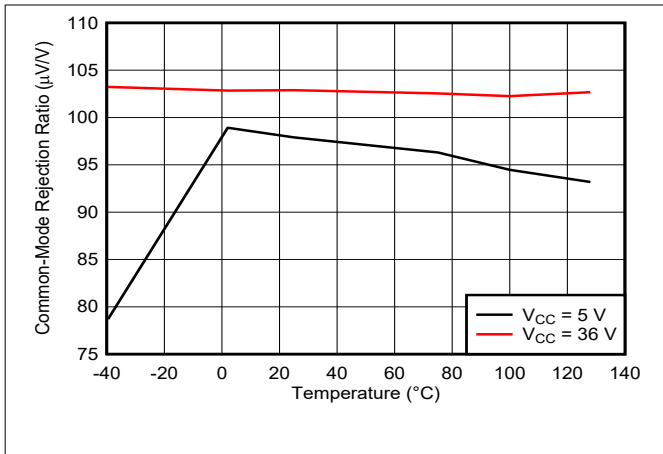


Figure 5-13. CMRR vs Temperature

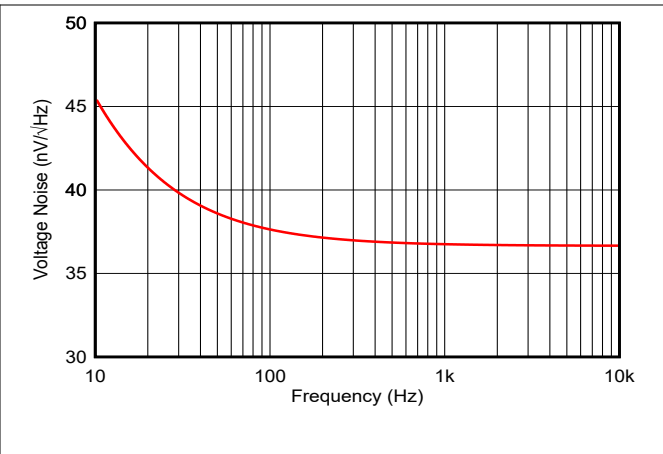


Figure 5-14. Input Voltage Noise Spectral Density vs Frequency

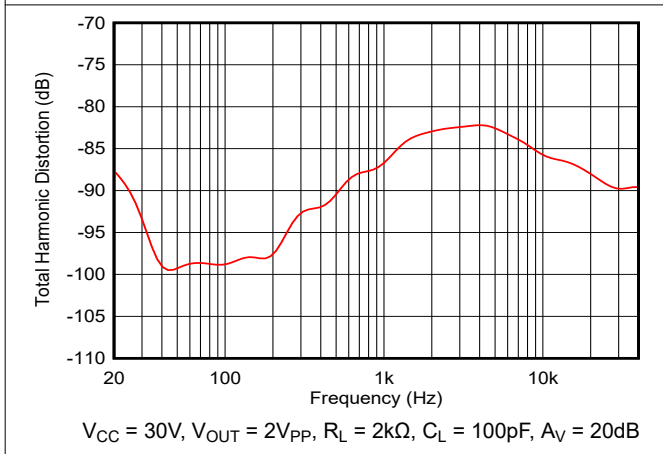


Figure 5-15. Total Harmonic Distortion vs Frequency

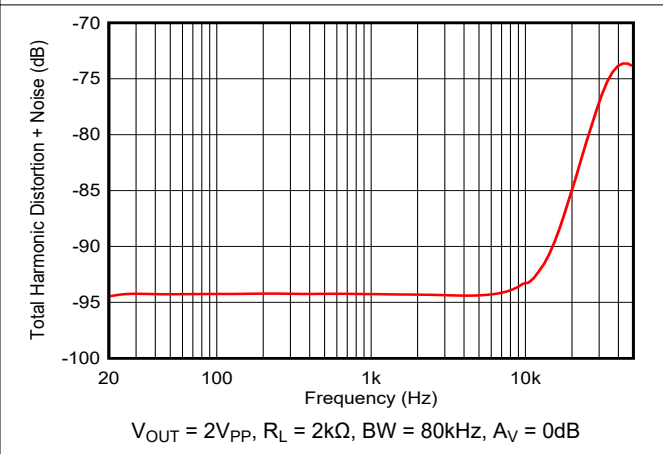


Figure 5-16. Total Harmonic Distortion + Noise vs Frequency

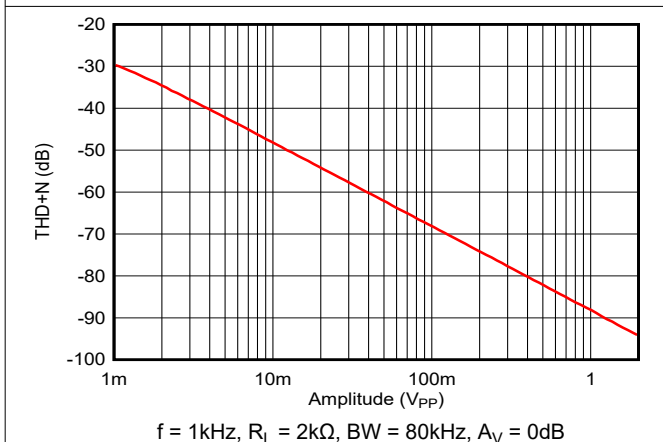


Figure 5-17. Total Harmonic Distortion + Noise vs Amplitude

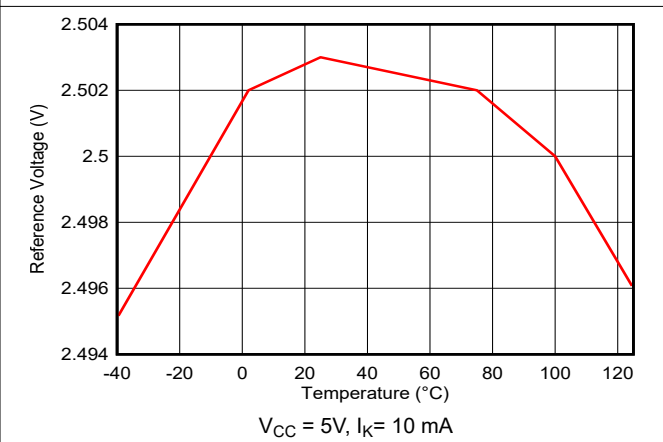
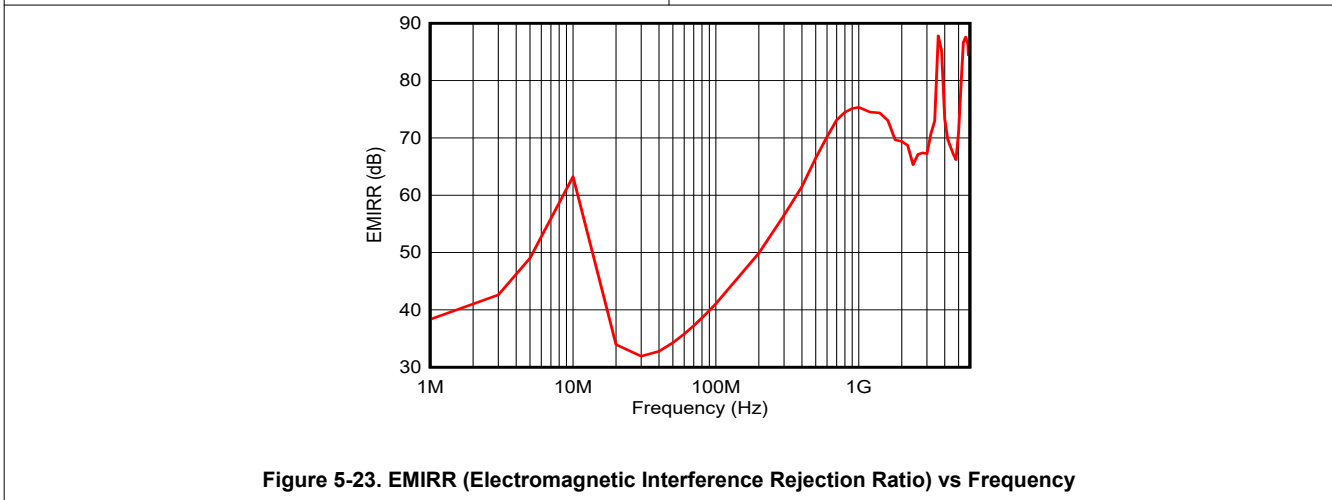
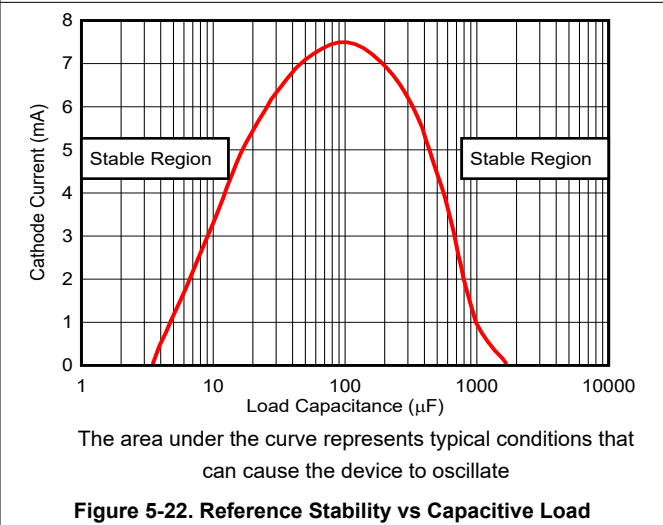
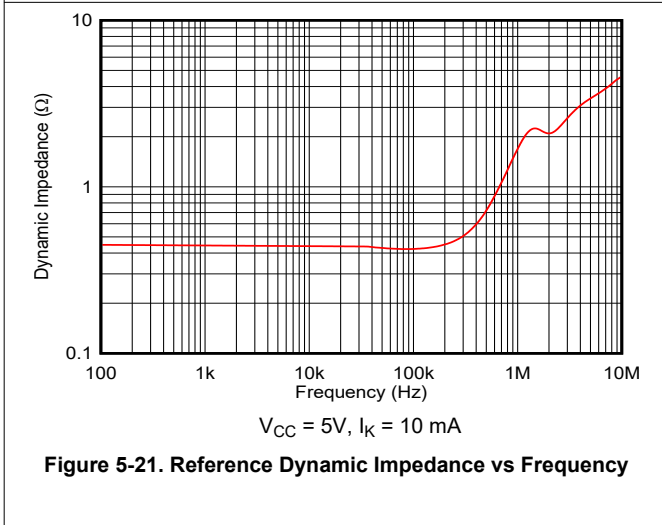
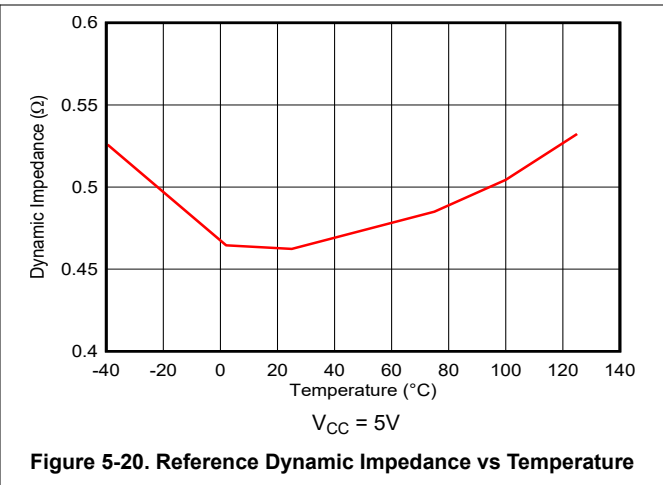
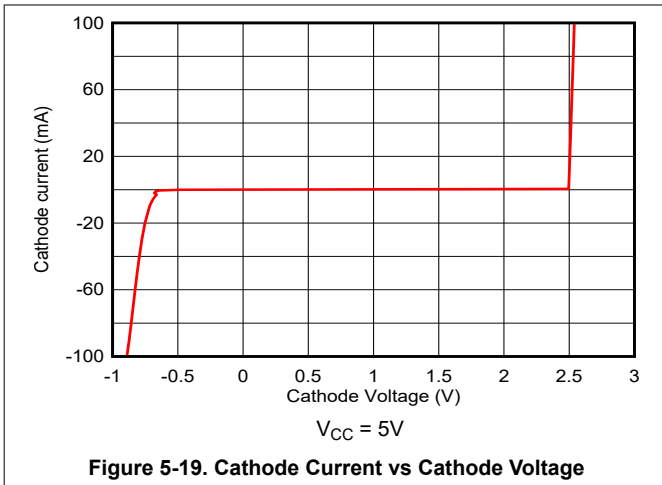


Figure 5-18. Reference Voltage vs Temperature

5.7 Typical Characteristics: TL103WB (continued)

at $T_A \approx 25^\circ\text{C}$, $V_{CC} = 36\text{V} (\pm 18\text{V})$, $V_{CM} = V_{CC} / 2$, $R_L = 10\text{k}\Omega$ connected to $V_{CC} / 2$ (unless otherwise noted)



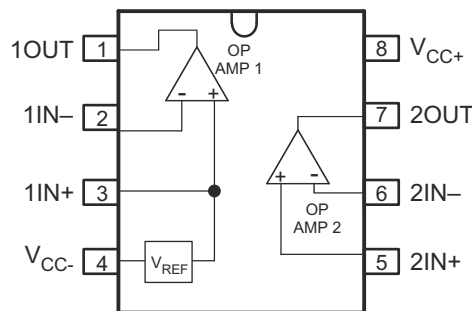
6 Detailed Description

6.1 Overview

The TL103Wx features two high-voltage amplifiers and a shunt voltage reference to allow for cost-sensitive and compact battery charger CC/CV feedback circuits. The upgraded TL103WB features is designed to provide a wide supply range (up to 36V), low offset voltage ($\pm 0.3\text{mV}$ typical) and a 1.2MHz bandwidth. The integrated voltage reference is tied to the non-inverting pin of one of OP AMP 1 and provides a fixed 2.5V referenced to the negative supply of the device. The shunt reference of the TL103WA/TL103WB features a tight tolerance of 0.44% at 25°C.

When a single supply voltage of 5V is used (or $\pm 2.5\text{V}$ split supply), the TL103Wx internal reference allows for a more accurate and power-efficient mid-supply signal to be used throughout your circuit. The TL103W/TL103WA devices are characterized for operation from -40°C to 85°C , the TL103WB devices are characterized for operation from -40°C to 125°C .

6.2 Functional Block Diagram



6.3 Feature Description

6.3.1 Internal Reference

The TL103Wx family features an internal shunt reference, tied to the non-inverting pin of one of the devices amplifiers. When supplied with enough voltage headroom ($\geq 2.5\text{V}$) and cathode current (0.5mA typical), the reference of the TL103Wx is forced to a fixed 2.5V. To not exceed the maximum cathode current, be sure that the reference input is current limited. Unlike many linear regulators, the reference of the TL103W is internally compensated to be stable without an output capacitor between the cathode and anode. If the reference is used to supply a load, stability criteria shown in [Figure 5-22](#) needs to be met.

Reference voltage tolerance varies based off the device grade chosen. At 25°C the TL103W features a reference tolerance of 0.72%, while the TL103WA/TL103WB both feature reference tolerances of 0.44%.

6.3.2 Input Common Mode Range

The valid common mode range is from device ground to $V_{CC+} - 1.5\text{V}$ ($V_{CC+} - 2\text{V}$ across temperature). Inputs may exceed V_{CC+} up to the absolute maximum voltage without device damage. At least one input must be in the valid input common-mode range for the output to be the correct phase. If both inputs exceed the valid range, then the output phase is undefined. If either input is more than 0.3V below V_{CC-} then input current should be limited to 1mA and the output phase is undefined.

6.3.3 EMI Rejection

The TL103WB uses integrated electromagnetic interference (EMI) filtering to reduce the effects of EMI from sources such as wireless communications (radio frequency interference - RFI) and densely-populated boards with a mix of analog signal chain and digital components. EMI immunity can be improved with circuit design techniques; the TL103WB benefits from these design improvements. Texas Instruments has developed the ability to accurately measure and quantify the immunity of an operational amplifier over a broad frequency spectrum extending from 10MHz to 6GHz. [Figure 6-1](#) shows the results of this testing on the TL103WB. [Table 6-1](#) shows the EMIRR IN+ values for the TL103WB at particular frequencies commonly encountered in real-world applications. The [EMI Rejection Ratio of Operational Amplifiers application report](#) contains detailed information on the topic of EMIRR performance relating to op amps and is available for download from www.ti.com.

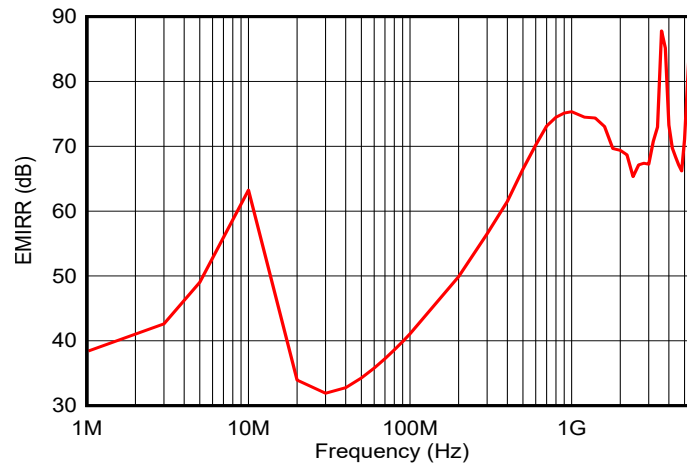


Figure 6-1. EMIRR Testing

Table 6-1. TL103WB EMIRR IN+ for Frequencies of Interest

| FREQUENCY | APPLICATION OR ALLOCATION | EMIRR IN+ |
|-----------|--|-----------|
| 400MHz | Mobile radio, mobile satellite, space operation, weather, radar, ultra-high frequency (UHF) applications | 62dB |
| 900MHz | Global system for mobile communications (GSM) applications, radio communication, navigation, GPS (to 1.6GHz), GSM, aeronautical mobile, UHF applications | 75dB |
| 1.8GHz | GSM applications, mobile personal communications, broadband, satellite, L-band (1 GHz to 2GHz) | 70dB |
| 2.4GHz | 802.11b, 802.11g, 802.11n, Bluetooth®, mobile personal communications, industrial, scientific and medical (ISM) radio band, amateur radio and satellite, S-band (2GHz to 4GHz) | 65dB |
| 3.6GHz | Radiolocation, aero communication and navigation, satellite, mobile, S-band | 88dB |
| 5GHz | 802.11a, 802.11n, aero communication and navigation, mobile communication, space and satellite operation, C-band (4GHz to 8GHz) | 71dB |

6.4 Device Functional Modes

This device has one mode of operation that applies when operated within the recommended operating conditions.

7 Application and Implementation

Note

Information in the following applications sections is not part of the TI component specification, and TI does not warrant its accuracy or completeness. TI's customers are responsible for determining suitability of components for their purposes, as well as validating and testing their design implementation to confirm system functionality.

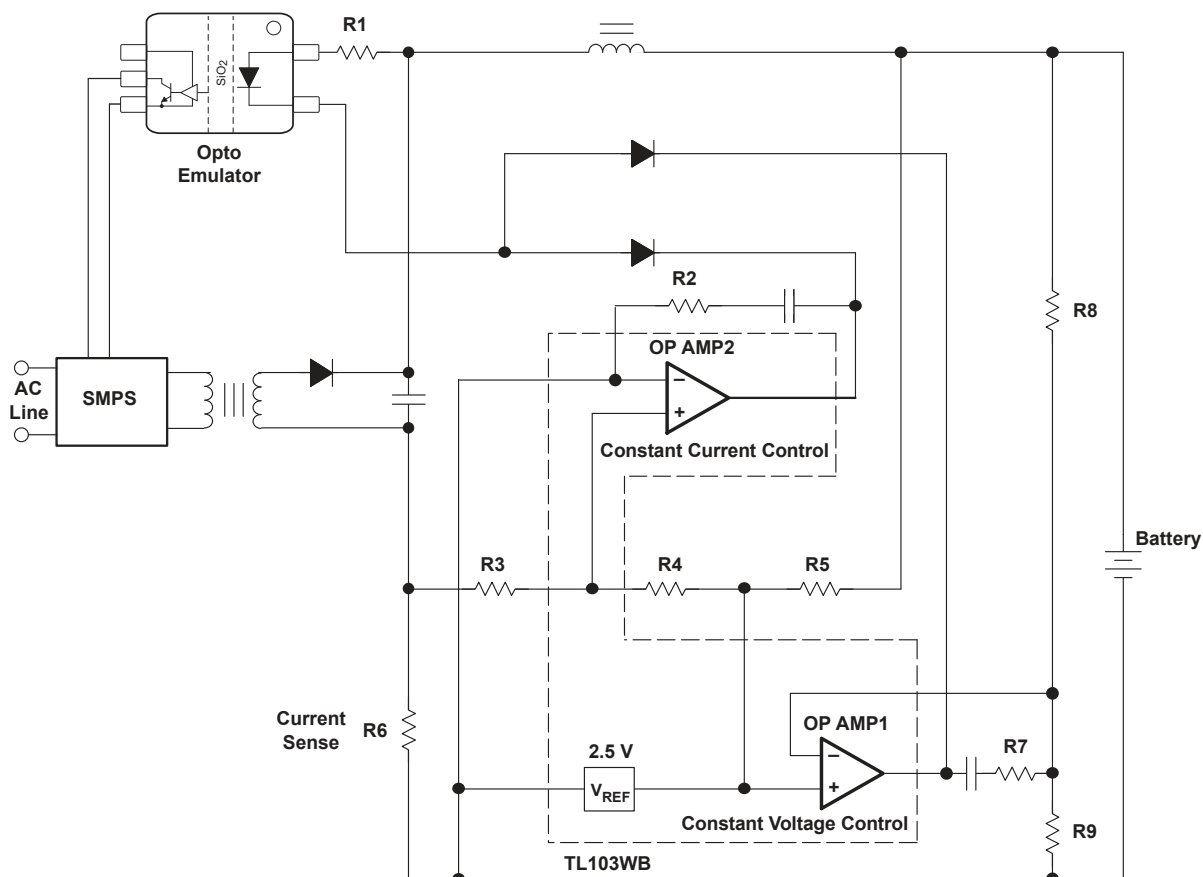
7.1 Application Information

The TL103Wx family offers a cost-effective and compact device for applications requiring both an accurate DC signal and signal conditioning. These devices offer a fixed 2.5V reference, wide bandwidth (1 to 1.2 MHz) and a low total supply current (0.55 to 0.7mA).

7.2 Typical Applications

7.2.1 Isolated Flyback CC/CV Feedback

As shown in [Figure 7-1](#), the TL103Wx is often used alongside an opto-coupler/opto-emulator to provide feedback to an isolated flyback. Utilizing the TL103Wx in this way allows for both an accurate and cost-optimized battery charger design that can achieve a stable CC/CV (Constant Current/Constant Voltage) charging profile. In this example, a simplified design procedure will be discussed. Additional details can be found in [Designing CC-CV Feedback Circuits With the TL103WB](#).



Typical Application Circuit

7.2.1.1 Design Requirements

The objective is to design an accurate CC-CV feedback circuit with the requirements provided in [Table 7-1](#).

Table 7-1. Design Parameters

| PARAMETER | VALUE |
|------------------------|-----------|
| Maximum Charge Current | 6A |
| Battery Voltage Range | 6V to 20V |

7.2.1.2 Detailed Design Procedure

To switch between CV control and CC control, diodes are utilized to achieve an OR logic function as shown in [Figure 7-1](#). Designing the circuit in this way allows one of the amplifiers (configured in either CC or CV mode) to dominate the feedback in the design. In this design, *GND* refers to the negative node at the secondary side of the switch-mode power supply.

The fixed 2.5V of the TL103Wx reference provides a stable DC voltage that is used to specify the CC current and CV voltage. One of the requirements of achieving this fixed value, however, is that the cathode of the reference must be supplied with a voltage of 2.5V or above.

7.2.1.2.1 Constant Current Circuit

For the constant current feedback circuit, the amplifier is configured in a low-side current sense configuration. Resistor R6 is used as the current sensing resistor to sense the current flowing between the battery and flyback converter. This is shown in [Equation 1](#), where I_{BAT} is the output current delivered to the battery. The voltage at the non-inverting input of the amplifier specifies the maximum current (or constant current) that is delivered to the battery.

$$V_{BAT-} = I_{BAT} \times R6 \quad (1)$$

The reference of the TL103Wx is powered by the battery voltage. To be able to achieve a constant current, this reference needs to be provided with 2.5V or greater to provide a fixed 2.5V. The first step in designing a constant current circuit is to specify that 2.5V can be achieved at the battery's minimum voltage. The value of R5 must also be designed so that a sink-current between 0.5mA to 100 mA (for TL103W or TL103WA) is achieved across the specified range of the battery voltage. These two steps are shown below.

$$V_{BAT(min)} \times \frac{R4 + R3}{R4 + R3 + R5 + R6} \geq 2.5 \text{ V} \quad (2)$$

$$0.5 \text{ mA} \leq \frac{V_{BAT} - V_{REF}}{R5} \leq 100 \text{ mA} \quad (3)$$

For this design R5 is chosen to be 2kΩ. Knowing this and the specified battery range of 6V to 20V, we can calculate that the reference sinks anywhere from 1.75mA to 10mA using [Equation 2](#).

Once a fixed 2.5V reference is achieved, we can use this accurate DC voltage to specify a constant current target on the non-inverting input of the amplifier. This can be done by calculating the voltage at the amplifier's inverting input when a constant current target is achieved. Specifying R6 to be 10mΩ along with a constant current design target of 6A, we find that this voltage to be 60 mV using [Equation 1](#). The voltage at the non-inverting pin of the amplifier is specified by [Equation 4](#).

$$V_{IN+} = 2.5 \text{ V} \times \frac{R3}{R4 + R3} \quad (4)$$

Using the component values and design targets calculated so far, [Equation 2](#) and [Equation 4](#) can be updated to:

$$6 \text{ V} \times \frac{R4 + R3}{R4 + R3 + 2 \text{ k}\Omega + 10 \text{ m}\Omega} \geq 2.5 \text{ V} \quad (5)$$

$$60\text{ mV} = 2.5\text{ V} \times \frac{R3}{R4 + R3} \tag{6}$$

Using both Equation 5 and Equation 6, we calculate that R3 needs to be greater than around 34.28Ω. Adding additional headroom to this, we can calculate R3 = 36Ω and R4 = 1464Ω.

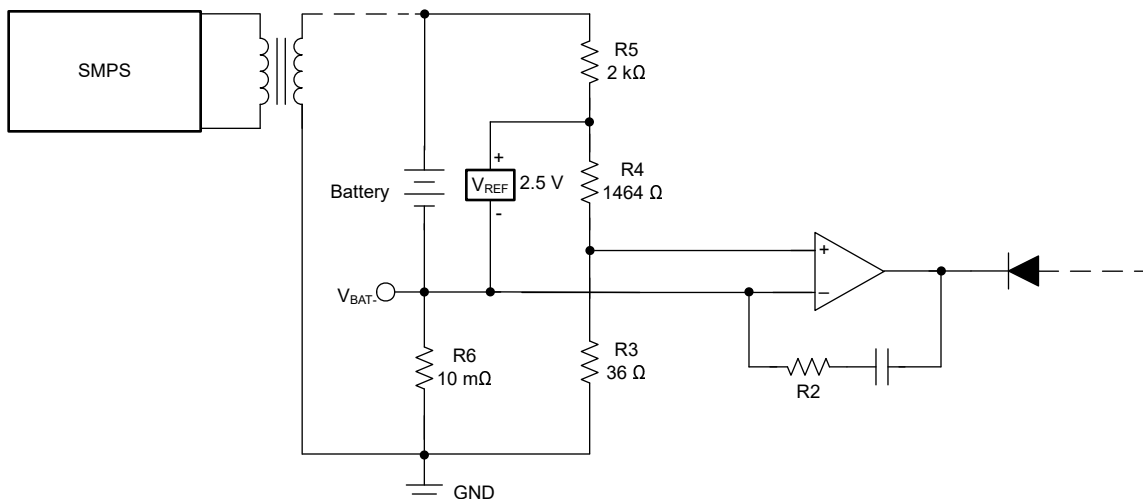


Figure 7-1. Constant Current Feedback Circuit

7.2.1.2.2 Constant Voltage Circuit

For the constant voltage feedback circuit, resistors R8 and R9 divide down the battery voltage to compare against the TL103Wx's reference. This is shown in Figure 7-2. The voltage at the inverting input of the amplifier is designed to equal 2.5V when the battery reaches its maximum specified voltage (or desired constant voltage value). This is shown in for a maximum voltage of 20V provided in Table 7-1.

$$V_{BAT} \times \frac{R9}{R8 + R9} = 2.5\text{ V} \tag{7}$$

$$20\text{ V} \times \frac{R9}{R8 + R9} = 2.5\text{ V} \tag{8}$$

To mimic the constant current circuit and achieve a total impedance and 2kΩ across the battery, R8 is set to 1.96kΩ and R9 to 280Ω.

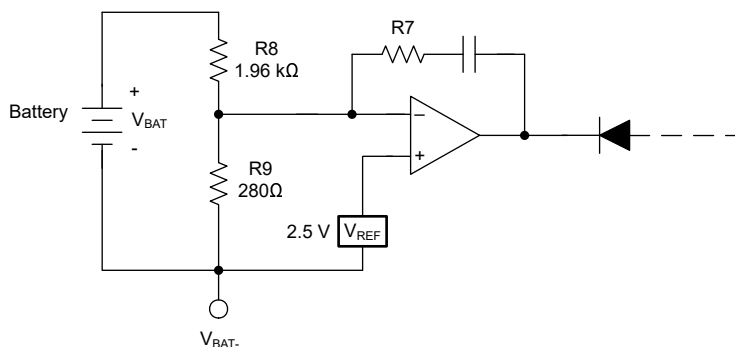


Figure 7-2. Constant Voltage Circuit

7.2.2 Constant Current Sink

Figure 7-3 shows the use of the TL103Wx along with a transistor to provide a constant current sink source. This type of circuit is common in LED drivers and can provide accurate performance and high bandwidth with minimal external components. Accuracy of this circuit is dominated by the reference voltage tolerance, amplifier offset voltage, and resistor tolerance. R_{LIM} is placed to limit the shunt current of the circuit's reference to a maximum of 100mA.

$$I_{SINK} = (V_{REF} \times \frac{R_2}{R_1 + R_2}) \times R_S \quad (9)$$

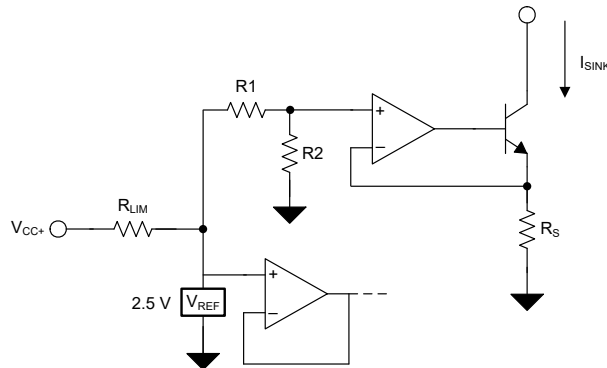


Figure 7-3. TL103Wx as Constant Current Sink

7.3 Power Supply Recommendations

Place 0.1µF bypass capacitors close to the power-supply pins to reduce errors coupling in from noisy or high-impedance power supplies. For more detailed information on bypass capacitor placement, see [Section 7.4](#)

7.4 Layout

7.4.1 Layout Guidelines

For best operational performance of the device, use good PCB layout practices, including:

- Noise can propagate into analog circuitry through the power pins of the circuit as a whole, as well as the operational amplifier. Bypass capacitors are used to reduce the coupled noise by providing low-impedance power sources local to the analog circuitry.
 - Connect low-ESR, 0.1µF ceramic bypass capacitors between each supply pin and ground, placed as close to the device as possible. A single bypass capacitor from V+ to ground is applicable for single-supply applications.
 - If a bypass capacitor is needed to help stabilize the reference, place this capacitor as close to the reference pin as possible.
- Separate grounding for analog and digital portions of circuitry is one of the simplest and most-effective methods of noise suppression. One or more layers on multilayer PCBs are usually devoted to ground planes. A ground plane helps distribute heat and reduces EMI noise pickup. Make sure to physically separate digital and analog grounds, paying attention to the flow of the ground current.
- To reduce parasitic coupling, run the input traces as far away from the supply or output traces as possible. If not possible to keep them separate, cross the sensitive trace perpendicular as opposed to in parallel with the noisy trace.
- Place the external components as close to the device as possible. Keeping R_F and R_G close to the inverting input minimizes parasitic capacitance, as shown in [Section 7.4.2](#).
- Keep the length of input traces as short as possible. Always remember that the input traces are the most sensitive part of the circuit.
- Consider a driven, low-impedance guard ring around the critical traces. A guard ring can significantly reduce leakage currents from nearby traces that are at different potentials.

- For applications shunting high currents through the reference, pay attention to the cathode and anode traces. Ensure the width of these traces are designed with proper current density.

7.4.2 Layout Example

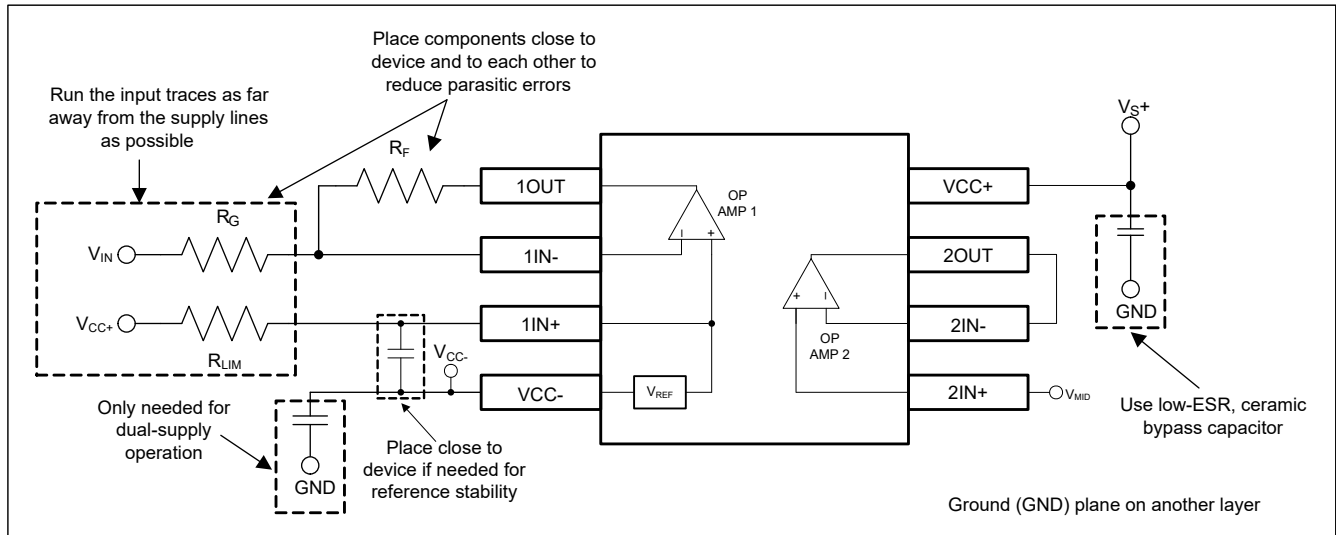


Figure 7-4. Operational Amplifier Board Layout for Inverting Configuration

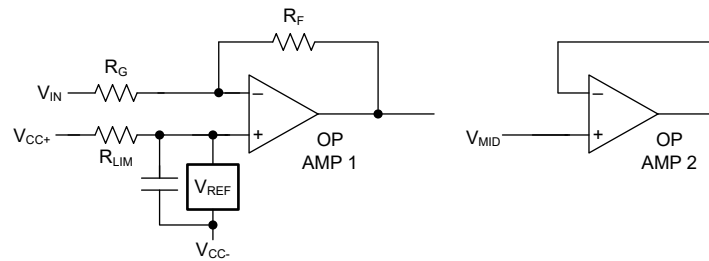


Figure 7-5. Operational Amplifier Schematic for Inverting Configuration

8 Device and Documentation Support

8.1 Documentation Support

8.1.1 Related Documentation

For related documentation, see the following:

- Texas Instruments, [EMI Rejection Ratio of Operational Amplifiers application report](#)
- Texas Instruments, [Designing CC-CV Feedback Circuits With the TL103WB](#)

8.2 Receiving Notification of Documentation Updates

To receive notification of documentation updates, navigate to the device product folder on [ti.com](https://www.ti.com). Click on *Notifications* to register and receive a weekly digest of any product information that has changed. For change details, review the revision history included in any revised document.

8.3 Support Resources

[TI E2E™ support forums](#) are an engineer's go-to source for fast, verified answers and design help — straight from the experts. Search existing answers or ask your own question to get the quick design help you need.

Linked content is provided "AS IS" by the respective contributors. They do not constitute TI specifications and do not necessarily reflect TI's views; see TI's [Terms of Use](#).

8.4 Trademarks

TI E2E™ is a trademark of Texas Instruments.

Bluetooth® is a registered trademark of Bluetooth SIG, Inc.

All trademarks are the property of their respective owners.

8.5 Electrostatic Discharge Caution



This integrated circuit can be damaged by ESD. Texas Instruments recommends that all integrated circuits be handled with appropriate precautions. Failure to observe proper handling and installation procedures can cause damage.

ESD damage can range from subtle performance degradation to complete device failure. Precision integrated circuits may be more susceptible to damage because very small parametric changes could cause the device not to meet its published specifications.

8.6 Glossary

[TI Glossary](#) This glossary lists and explains terms, acronyms, and definitions.

9 Revision History

NOTE: Page numbers for previous revisions may differ from page numbers in the current version.

| Changes from Revision Q (December 2023) to Revision R (April 2024) | Page |
|---|-------------|
| • Changed TL103WB DDF (SOT-23, 8) status from advanced information (preview) to production data (active)..... | 1 |

| Changes from Revision P (November 2023) to Revision Q (December 2023) | Page |
|---|-------------|
| • Updated maximum dynamic impedance from 0.5 Ω to 0.8 Ω in <i>Electrical Characteristics</i> table..... | 5 |
| • Updated EMIRR IN+ values in <i>EMIRR IN+ for Frequencies of Interest</i> table | 13 |

| Changes from Revision O (October 2023) to Revision P (November 2023) | Page |
|--|-------------|
| • Updated typical large-signal voltage gain of TL103WB from 140V/mV to 210 V/mV..... | 5 |
| • Updated minimum limit of supply-voltage rejection ratio of TL103WB from 80 dB to 99dB..... | 5 |

- Added footnote in Electrical Characteristics tables to specify specifications which have limits set by characterization..... 5
- Updated minimum limit of gain bandwidth product for TL103WB from 0.5MHz to 0.7MHz..... 5
- Updated maximum limit of total supply current for TL103WB at 25°C from 0.92 mA to 0.77mA..... 5
- Updated maximum limit of total supply current for TL103WB at full temperature range from 1.6mA to 1.35mA..... 5
- Updated minimum limit of large-signal voltage gain for TL103WB at 25°C from 70V/mV to 77V/mV..... 6
- Updated minimum limit of large-signal voltage gain for TL103WB at full temperature range from 35V/mV to 45V/mV..... 6
- Added new CMRR specifications for TL103WB..... 6

Changes from Revision N (August 2023) to Revision O (October 2023) Page

- Changed maximum input offset voltage, reference tolerance, total supply current and sink-current range in the *Features* section..... 1
- Changed *Typical Application Circuit* figure to include TL103WB and Opto-emulator..... 1
- Changed TL103WB D (SOIC, 8) status from advanced information (preview) to production data (active)..... 1
- Changed *Thermal Information* table to include latest thermal metrics 5
- Added DDF information to *Thermal Information* table..... 5
- Updated k_{SVR} term to PSRR..... 5
- Changed maximum short circuit current from ± 60 mA to ± 68 mA 5
- Maximum reference input voltage deviation over temperature range for TL103W was changed from 30mV to 35mV..... 5
- Maximum reference input voltage deviation over temperature range for TL103WA was changed from 30mV to 26mV..... 5
- Added figures to the *Typical Characteristics* section to highlight the TL103WB device..... 8
- Added the *Detailed Description* and *Application and Implementation* sections..... 12
- Added the *Application and Implementation* sections..... 14

Changes from Revision M (October 2016) to Revision N (August 2023) Page

- Updated *Features* section to highlight TL103WB..... 1
- Updated the numbering format for tables, figures, and cross-references throughout the document..... 1
- Added the *TL103WB* device information throughout the document..... 1
- Updated *Description* section..... 1
- Updated *Device Information* table to include channel count..... 1
- Removed DRJ package details and added DDF package for preview..... 3
- Updated formatting for *Electrical Characteristics* tables..... 5
- Updated typical dynamic impedance from 0.2 Ω to 0.45 Ω in *Electrical Characteristics* tables 5

Changes from Revision L (February 2016) to Revision M (October 2016) Page

- Changed positive and negative terminals OP AMP 2 in the D Package image of *Pin Configuration and Functions* 3

Changes from Revision K (October 2010) to Revision L (February 2016) Page

- Added the *Device Information* table, *Pin Configuration and Functions*, *ESD Ratings*, *Thermal Information*, *Device and Documentation Support*, and *Mechanical, Packaging, and Orderable Information* sections..... 1
- Changed *Features* from: 2 kV ESD Protection (HBM) to: 2.5-kV ESD Protection (HBM)..... 1
- Changed the Zener diode component to V_{REF} in the *Typical Application Circuit* 1

-
- Changed the Zener diode component to V_{REF} in the D Package of *Pin Configuration and Functions* [3](#)
-

10 Mechanical, Packaging, and Orderable Information

The following pages include mechanical, packaging, and orderable information. This information is the most current data available for the designated devices. This data is subject to change without notice and revision of this document. For browser-based versions of this data sheet, refer to the left-hand navigation.

PACKAGING INFORMATION

| Orderable Device | Status (1) | Package Type | Package Drawing | Pins | Package Qty | Eco Plan (2) | Lead finish/ Ball material (6) | MSL Peak Temp (3) | Op Temp (°C) | Device Marking (4/5) | Samples |
|------------------|---------------|--------------|-----------------|------|-------------|-----------------|--------------------------------------|----------------------|--------------|-------------------------|---------|
| TL103WAID | OBSOLETE | SOIC | D | 8 | | TBD | Call TI | Call TI | -40 to 105 | Z103WA | |
| TL103WAIDR | ACTIVE | SOIC | D | 8 | 2500 | RoHS & Green | NIPDAU | Level-1-260C-UNLIM | -40 to 105 | Z103WA | Samples |
| TL103WBIDDFR | ACTIVE | SOT-23-THIN | DDF | 8 | 3000 | RoHS & Green | NIPDAU | Level-1-260C-UNLIM | -40 to 125 | T13DF | Samples |
| TL103WBIDR | ACTIVE | SOIC | D | 8 | 3000 | RoHS & Green | NIPDAU | Level-1-260C-UNLIM | -40 to 125 | TL103D | Samples |
| TL103WID | OBSOLETE | SOIC | D | 8 | | TBD | Call TI | Call TI | -40 to 105 | Z103W | |
| TL103WIDR | ACTIVE | SOIC | D | 8 | 2500 | RoHS & Green | NIPDAU | Level-1-260C-UNLIM | -40 to 105 | Z103W | Samples |

(1) The marketing status values are defined as follows:

ACTIVE: Product device recommended for new designs.

LIFEBUY: TI has announced that the device will be discontinued, and a lifetime-buy period is in effect.

NRND: Not recommended for new designs. Device is in production to support existing customers, but TI does not recommend using this part in a new design.

PREVIEW: Device has been announced but is not in production. Samples may or may not be available.

OBSOLETE: TI has discontinued the production of the device.

(2) **RoHS:** TI defines "RoHS" to mean semiconductor products that are compliant with the current EU RoHS requirements for all 10 RoHS substances, including the requirement that RoHS substance do not exceed 0.1% by weight in homogeneous materials. Where designed to be soldered at high temperatures, "RoHS" products are suitable for use in specified lead-free processes. TI may reference these types of products as "Pb-Free".

RoHS Exempt: TI defines "RoHS Exempt" to mean products that contain lead but are compliant with EU RoHS pursuant to a specific EU RoHS exemption.

Green: TI defines "Green" to mean the content of Chlorine (Cl) and Bromine (Br) based flame retardants meet JS709B low halogen requirements of <=1000ppm threshold. Antimony trioxide based flame retardants must also meet the <=1000ppm threshold requirement.

(3) MSL, Peak Temp. - The Moisture Sensitivity Level rating according to the JEDEC industry standard classifications, and peak solder temperature.

(4) There may be additional marking, which relates to the logo, the lot trace code information, or the environmental category on the device.

(5) Multiple Device Markings will be inside parentheses. Only one Device Marking contained in parentheses and separated by a "~" will appear on a device. If a line is indented then it is a continuation of the previous line and the two combined represent the entire Device Marking for that device.

(6) Lead finish/Ball material - Orderable Devices may have multiple material finish options. Finish options are separated by a vertical ruled line. Lead finish/Ball material values may wrap to two lines if the finish value exceeds the maximum column width.

Important Information and Disclaimer: The information provided on this page represents TI's knowledge and belief as of the date that it is provided. TI bases its knowledge and belief on information provided by third parties, and makes no representation or warranty as to the accuracy of such information. Efforts are underway to better integrate information from third parties. TI has taken and continues to take reasonable steps to provide representative and accurate information but may not have conducted destructive testing or chemical analysis on incoming materials and chemicals. TI and TI suppliers consider certain information to be proprietary, and thus CAS numbers and other limited information may not be available for release.

In no event shall TI's liability arising out of such information exceed the total purchase price of the TI part(s) at issue in this document sold by TI to Customer on an annual basis.

TAPE AND REEL INFORMATION

QUADRANT ASSIGNMENTS FOR PIN 1 ORIENTATION IN TAPE


*All dimensions are nominal

| Device | Package Type | Package Drawing | Pins | SPQ | Reel Diameter (mm) | Reel Width W1 (mm) | A0 (mm) | B0 (mm) | K0 (mm) | P1 (mm) | W (mm) | Pin1 Quadrant |
|-------------|--------------|-----------------|------|------|--------------------|--------------------|---------|---------|---------|---------|--------|---------------|
| TL103WAIDR | SOIC | D | 8 | 2500 | 330.0 | 12.4 | 6.4 | 5.2 | 2.1 | 8.0 | 12.0 | Q1 |
| TL103WBIDFR | SOT-23-THIN | DDF | 8 | 3000 | 180.0 | 8.4 | 3.2 | 3.2 | 1.4 | 4.0 | 8.0 | Q3 |
| TL103WBIDR | SOIC | D | 8 | 3000 | 330.0 | 12.4 | 6.4 | 5.2 | 2.1 | 8.0 | 12.0 | Q1 |
| TL103WIDR | SOIC | D | 8 | 2500 | 330.0 | 12.4 | 6.4 | 5.2 | 2.1 | 8.0 | 12.0 | Q1 |

TAPE AND REEL BOX DIMENSIONS


*All dimensions are nominal

| Device | Package Type | Package Drawing | Pins | SPQ | Length (mm) | Width (mm) | Height (mm) |
|-------------|--------------|-----------------|------|------|-------------|------------|-------------|
| TL103WAIDR | SOIC | D | 8 | 2500 | 340.5 | 338.1 | 20.6 |
| TL103WBIDDR | SOT-23-THIN | DDF | 8 | 3000 | 210.0 | 185.0 | 35.0 |
| TL103WBIDR | SOIC | D | 8 | 3000 | 356.0 | 356.0 | 35.0 |
| TL103WIDR | SOIC | D | 8 | 2500 | 340.5 | 338.1 | 20.6 |

DDF0008A



PACKAGE OUTLINE

SOT-23-THIN - 1.1 mm max height

PLASTIC SMALL OUTLINE



4222047/E 07/2024

NOTES:

- All linear dimensions are in millimeters. Any dimensions in parenthesis are for reference only. Dimensioning and tolerancing per ASME Y14.5M.
- This drawing is subject to change without notice.
- This dimension does not include mold flash, protrusions, or gate burrs. Mold flash, protrusions, or gate burrs shall not exceed 0.15 mm per side.

EXAMPLE BOARD LAYOUT

DDF0008A

SOT-23-THIN - 1.1 mm max height

PLASTIC SMALL OUTLINE



LAND PATTERN EXAMPLE
EXPOSED METAL SHOWN
SCALE:15X



SOLDER MASK DETAILS

4222047/E 07/2024

NOTES: (continued)

- 4. Publication IPC-7351 may have alternate designs.
- 5. Solder mask tolerances between and around signal pads can vary based on board fabrication site.

EXAMPLE STENCIL DESIGN

DDF0008A

SOT-23-THIN - 1.1 mm max height

PLASTIC SMALL OUTLINE



SOLDER PASTE EXAMPLE
BASED ON 0.125 mm THICK STENCIL
SCALE:15X

4222047/E 07/2024

NOTES: (continued)

6. Laser cutting apertures with trapezoidal walls and rounded corners may offer better paste release. IPC-7525 may have alternate design recommendations.
7. Board assembly site may have different recommendations for stencil design.



D0008A

PACKAGE OUTLINE

SOIC - 1.75 mm max height

SMALL OUTLINE INTEGRATED CIRCUIT



4214825/C 02/2019

NOTES:

1. Linear dimensions are in inches [millimeters]. Dimensions in parenthesis are for reference only. Controlling dimensions are in inches. Dimensioning and tolerancing per ASME Y14.5M.
2. This drawing is subject to change without notice.
3. This dimension does not include mold flash, protrusions, or gate burrs. Mold flash, protrusions, or gate burrs shall not exceed $.006$ [0.15] per side.
4. This dimension does not include interlead flash.
5. Reference JEDEC registration MS-012, variation AA.

EXAMPLE BOARD LAYOUT

D0008A

SOIC - 1.75 mm max height

SMALL OUTLINE INTEGRATED CIRCUIT



LAND PATTERN EXAMPLE
 EXPOSED METAL SHOWN
 SCALE:8X



SOLDER MASK DETAILS

4214825/C 02/2019

NOTES: (continued)

- 6. Publication IPC-7351 may have alternate designs.
- 7. Solder mask tolerances between and around signal pads can vary based on board fabrication site.

EXAMPLE STENCIL DESIGN

D0008A

SOIC - 1.75 mm max height

SMALL OUTLINE INTEGRATED CIRCUIT



SOLDER PASTE EXAMPLE
BASED ON .005 INCH [0.125 MM] THICK STENCIL
SCALE:8X

4214825/C 02/2019

NOTES: (continued)

8. Laser cutting apertures with trapezoidal walls and rounded corners may offer better paste release. IPC-7525 may have alternate design recommendations.
9. Board assembly site may have different recommendations for stencil design.

IMPORTANT NOTICE AND DISCLAIMER

TI PROVIDES TECHNICAL AND RELIABILITY DATA (INCLUDING DATA SHEETS), DESIGN RESOURCES (INCLUDING REFERENCE DESIGNS), APPLICATION OR OTHER DESIGN ADVICE, WEB TOOLS, SAFETY INFORMATION, AND OTHER RESOURCES "AS IS" AND WITH ALL FAULTS, AND DISCLAIMS ALL WARRANTIES, EXPRESS AND IMPLIED, INCLUDING WITHOUT LIMITATION ANY IMPLIED WARRANTIES OF MERCHANTABILITY, FITNESS FOR A PARTICULAR PURPOSE OR NON-INFRINGEMENT OF THIRD PARTY INTELLECTUAL PROPERTY RIGHTS.

These resources are intended for skilled developers designing with TI products. You are solely responsible for (1) selecting the appropriate TI products for your application, (2) designing, validating and testing your application, and (3) ensuring your application meets applicable standards, and any other safety, security, regulatory or other requirements.

These resources are subject to change without notice. TI grants you permission to use these resources only for development of an application that uses the TI products described in the resource. Other reproduction and display of these resources is prohibited. No license is granted to any other TI intellectual property right or to any third party intellectual property right. TI disclaims responsibility for, and you will fully indemnify TI and its representatives against, any claims, damages, costs, losses, and liabilities arising out of your use of these resources.

TI's products are provided subject to [TI's Terms of Sale](#) or other applicable terms available either on [ti.com](https://www.ti.com) or provided in conjunction with such TI products. TI's provision of these resources does not expand or otherwise alter TI's applicable warranties or warranty disclaimers for TI products.

TI objects to and rejects any additional or different terms you may have proposed.

Mailing Address: Texas Instruments, Post Office Box 655303, Dallas, Texas 75265
Copyright © 2024, Texas Instruments Incorporated