

## TLC5973 3-Channel, 12-Bit, PWM Constant-Current LED Driver with Single-Wire Interface (EasySet™)

### 1 Features

- Three Constant Sink Current Channels
- Current Capability:
  - 2 mA to 35 mA per Channel ( $V_{CC} \leq 4.0\text{ V}$ )
  - 2 mA to 50 mA per Channel ( $V_{CC} > 4.0\text{ V}$ )
- Grayscale (GS) Control with PWM:
  - 12-Bit (4096 Steps)
- Single-Wire Interface (EasySet)
- Power-Supply ( $V_{CC}$ ) Voltage Range:
  - 3 V to 6 V
- OUT Pins Maximum Voltage: Up to 21 V
- Integrated Shunt Regulator
- Data Transfer Maximum Rate:
  - Bits per Second (bps): 3 Mbps
- Internal GS Clock Oscillator: 12 MHz (typ)
- Display Repeat Rate: 2.9 kHz (typ)
- Output Delay Switching to Prevent Inrush Current
- Unlimited Device Cascading
- Operating Temperature:  $-40^{\circ}\text{C}$  to  $85^{\circ}\text{C}$

### 2 Applications

This device is targeted towards one application. The primary application for this device is for RGB LED cluster lamp displays.

### 3 Description

The TLC5973 is an easy-to-use, 3-channel, 50-mA constant sink current LED driver. The single-wire, 3-Mbps serial interface (EasySet) provides a solution for minimizing wiring cost. The LED driver provides 12-bit pulse width modulation (PWM) resolution. The display repeat rate is achieved at 2.9 kHz (typ) with an integrated 12-MHz grayscale (GS) clock oscillator. The driver also provides unlimited cascading capability.

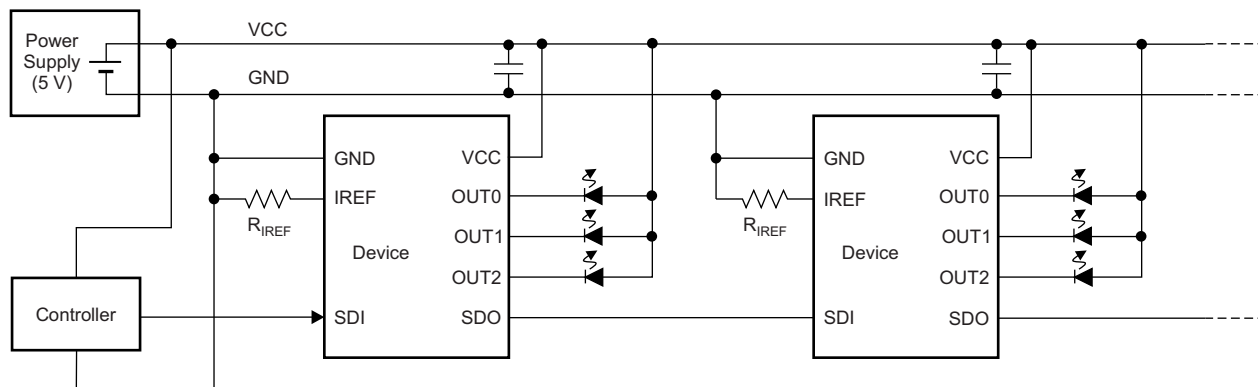
All output sink constant currents can be set by an external resistor. The TLC5973 has an internal shunt regulator that can be used for higher  $V_{CC}$  power-supply voltage applications.

#### Device Information<sup>(1)</sup>

| DEVICE NAME | PACKAGE  | BODY SIZE        |
|-------------|----------|------------------|
| TLC5973     | SOIC (8) | 4.9 mm x 3.91 mm |

(1) For all available packages, see the orderable addendum at the end of the datasheet.

#### Typical Application Circuit Example



## Table of Contents

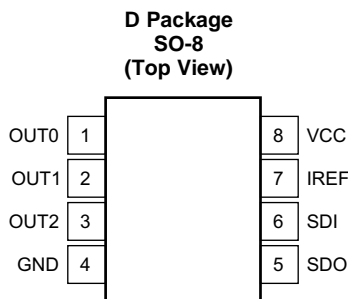
|   |    |  |    |
|---|----|--|----|
| <b>1 Features</b> .....   | 1  | 8.1 Overview .....   | 10 |
| <b>2 Applications</b> .....                                     | 1  | 8.2 Functional Block Diagram .....                                   | 11 |
| <b>3 Description</b> .....                                      | 1  | 8.3 Feature Description .....  | 11 |
| <b>4 Revision History</b> .....                                 | 2  | 8.4 Device Functional Modes .....                                    | 13 |
| <b>5 Pin Configuration and Functions</b> .....                  | 3  | 8.5 Programming .....  | 19 |
| <b>6 Specifications</b> .....                                   | 3  | 8.6 Register Maps .....  | 21 |
| 6.1 Absolute Maximum Ratings .....                              | 3  | <b>9 Applications and Implementation</b> .....                       | 22 |
| 6.2 Handling Ratings .....                                      | 3  | 9.1 Application Information .....                                    | 22 |
| 6.3 Recommended Operating Conditions .....                      | 4  | 9.2 Typical Applications .....                                       | 22 |
| 6.4 Thermal Information .....                                   | 4  | <b>10 Power Supply Recommendations</b> .....                         | 28 |
| 6.5 Electrical Characteristics .....                            | 5  | <b>11 Layout</b> .....   | 28 |
| 6.6 Switching Characteristics .....                             | 6  | 11.1 Layout Guidelines .....   | 28 |
| 6.7 Typical Characteristics .....                               | 6  | 11.2 Layout Example .....  | 28 |
| <b>7 Parameter Measurement Information</b> .....                | 7  | <b>12 Device and Documentation Support</b> .....                     | 29 |
| 7.1 Pin-Equivalent Input and Output Schematic<br>Diagrams ..... | 7  | 12.1 Trademarks .....  | 29 |
| 7.2 Test Circuits .....   | 7  | 12.2 Electrostatic Discharge Caution .....                           | 29 |
| 7.3 Timing Diagrams .....                                       | 8  | 12.3 Glossary .....  | 29 |
| <b>8 Detailed Description</b> .....                             | 10 | <b>13 Mechanical, Packaging, and Orderable<br/>Information</b> ..... | 29 |

## 4 Revision History

| Changes from Revision A (May 2013) to Revision B  | Page |
|---|------|
| • Changed format to meet latest data sheet standards; added <i>Applications and Implementation</i> , <i>Power Supply Recommendations</i> , and <i>Layout</i> sections, moved existing sections .....  | 1    |
| • Changed <i>8-bit pulse width modulation</i> to <i>12-bit pulse width modulation</i> in Description section .....  | 1    |
| • Changed $t_{H0}$ and $t_{H1}$ parameter units from $\mu s$ to $ns$ in Recommended Operating Conditions table .....  | 4    |
| • Changed <a href="#">Figure 8</a> : deleted top SDO, changed bottom SDO to $OUT_n$ .....   | 7    |
| • Changed <a href="#">Figure 11</a> : deleted extraneous breaks in traces, extraneous data call-outs, and $t_{H1}$ on GSLAT trace, changed data transfer trace note to <i>Internal to 1st Device</i> and 1st Data to 47th Data in 48-Bit Shift Register LSB trace.... | 9    |
| • Changed functional block diagram: changed Upper 8 Bits to Upper 12 Bits on 48-Bit Shift Register block .....  | 11   |
| • Added <i>Grayscale (GS) Control</i> , <i>EasySet and Shunt Regulator</i> , and <i>No Limit Cascading</i> sections .....   | 11   |
| • Changed <i>Connector Design</i> title .....   | 13   |
| • Changed <a href="#">Figure 13</a> : changed $OUT_n$ traces $GSDATA = 4093$ and $GSDATA = 4094$ .....  | 15   |
| • Changed description of the <i>Data '0' and Data '1' Write Sequence (Data Write Sequence)</i> section .....  | 16   |
| • Changed title of <i>Controlling Devices Connected in Series</i> section .....   | 19   |
| • Changed <i>Data 101</i> to <i>Data 1010</i> in <a href="#">Figure 18</a> .....  | 19   |
| • Changed <i>eight MSBs</i> to <i>12 MSBs</i> in third sentence of the <i>Register and Data Latch Configuration</i> section .....   | 21   |
| • Changed <a href="#">Figure 21</a> : corrected 3AAh bit set sequence .....   | 21   |
| • Changed <a href="#">Figure 26</a> : changed number of LEDs in optional dashed box .....   | 26   |
| • Changed <a href="#">Table 7</a> : changed all values in $R_{VCC}$ column and first and last values in <i>Resistor Wattage</i> column .....  | 27   |

| Changes from Original (March 2013) to Revision A   | Page |
|--|------|
| • Changed second paragraph of <i>Grayscale (GS) Function (PWM Control)</i> section .....                                     | 13   |
| • Changed $t_{CYCLE}$ setting range in <i>Data Transfer Rate (<math>t_{CYCLE}</math>) Measurement Sequence</i> section ..... | 16   |
| • Updated <a href="#">Figure 18</a> .....  | 19   |
| • Updated <a href="#">Figure 21</a> and <a href="#">Table 3</a> .....  | 21   |

## 5 Pin Configuration and Functions



### Pin Functions

| PIN  |     | I/O | DESCRIPTION   |
|------|-----|-----|---|
| NAME | NO. |     |   |
| OUT0 | 1   | O   | Constant sink current driver outputs. Multiple outputs can be configured in parallel to increase the sink drive current capability. Different voltages can be applied to each output. |
| OUT1 | 2   | O   |   |
| OUT2 | 3   | O   |   |
| GND  | 4   | —   | Power ground  |
| SDO  | 5   | O   | Serial data output  |
| SDI  | 6   | I   | Serial data input. This pin is internally pulled down to GND with a 1-M $\Omega$ (typ) resistor.  |
| IREF | 7   | I/O | Output current programming pin. A resistor connected between IREF and GND sets the current for each constant-current output. Place the external resistor close to the device.         |
| VCC  | 8   | —   | Power-supply voltage  |

## 6 Specifications

### 6.1 Absolute Maximum Ratings<sup>(1)</sup>

over operating free-air temperature range (unless otherwise noted)

|  |                                |              | MIN  | MAX                   | UNIT |
|--|--------------------------------|--------------|------|-----------------------|------|
| Voltage <sup>(2)</sup>                         | Supply, V <sub>CC</sub>        | VCC          | –0.3 | 7.0                   | V    |
|  | Input range, V <sub>IN</sub>   | SDI          | –0.3 | V <sub>CC</sub> + 1.2 | V    |
|  | Output range, V <sub>OUT</sub> | OUT0 to OUT2 | –0.3 | 21                    | V    |
|  |                                | SDO          | –0.3 | 7.0                   | V    |
| Current  | Output (dc), I <sub>OUT</sub>  | OUT0 to OUT2 | 0    | 60                    | mA   |
| Operating junction temperature, T <sub>J</sub> |                                |              | –40  | 150                   | °C   |

- (1) Stresses beyond those listed under *Absolute Maximum Ratings* may cause permanent damage to the device. These are stress ratings only, and functional operation of the device at these or any other conditions beyond those indicated under *Recommended Operating Conditions* is not implied. Exposure to absolute-maximum-rated conditions for extended periods may affect device reliability.
- (2) All voltages are with respect to network ground pin.

### 6.2 Handling Ratings

|                    |                           |  | MIN   | MAX  | UNIT |
|--------------------|---------------------------|--|-------|------|------|
| T <sub>stg</sub>   | Storage temperature range |  | –55   | 150  | °C   |
| V <sub>(ESD)</sub> | Electrostatic discharge   | Human body model (HBM), per ANSI/ESDA/JEDEC JS-001, all pins <sup>(1)</sup>              | –8000 | 8000 | V    |
|                    |                           | Charged device model (CDM), per JEDEC specification JESD22-C101, all pins <sup>(2)</sup> | –2000 | 2000 |      |

- (1) JEDEC document JEP155 states that 500-V HBM allows safe manufacturing with a standard ESD control process.
- (2) JEDEC document JEP157 states that 250-V CDM allows safe manufacturing with a standard ESD control process.

### 6.3 Recommended Operating Conditions

| PARAMETER                 |                                      | TEST CONDITIONS                        | MIN                    | NOM                   | MAX                    | UNIT |
|---------------------------|--------------------------------------|--|------------------------|-----------------------|------------------------|------|
| <b>DC CHARACTERISTICS</b> |                                      |  |                        |                       |                        |      |
| V <sub>CC</sub>           | Supply voltage                       | No internal shunt regulator mode       | 3.0                    | 5.0                   | 5.5                    | V    |
|                           |                                      | Internal shunt regulator mode          |                        |                       | 6.0                    | V    |
| V <sub>O</sub>            | Voltage applied to output            | OUT0 to OUT2                           |                        |                       | 21                     | V    |
| V <sub>IH</sub>           | High-level input voltage             | SDI                                    | 0.7 × V <sub>CC</sub>  |                       | V <sub>CC</sub>        | V    |
| V <sub>IL</sub>           | Low-level input voltage              | SDI                                    | GND                    |                       | 0.3 × V <sub>CC</sub>  | V    |
| V <sub>IHYST</sub>        | Input voltage hysteresis             | SDI                                    |                        | 0.2 × V <sub>CC</sub> |                        | V    |
| I <sub>OH</sub>           | High-level output current            | SDO                                    |                        |                       | –2                     | mA   |
| I <sub>OL</sub>           | Low-level output current             | SDO                                    |                        |                       | 2                      | mA   |
|                           |                                      | OUT0 to OUT2 (V <sub>CC</sub> ≤ 4.0 V) | 2                      |                       | 35                     | mA   |
|                           |                                      | OUT0 to OUT2 (V <sub>CC</sub> > 4.0 V) | 2                      |                       | 50                     | mA   |
| I <sub>REG</sub>          | Shunt regulator sink current         | VCC                                    |                        |                       | 20                     | mA   |
| T <sub>A</sub>            | Operating free-air temperature range |  | –40                    |                       | 85                     | °C   |
| T <sub>J</sub>            | Operating junction temperature range |  | –40                    |                       | 125                    | °C   |
| <b>AC CHARACTERISTICS</b> |                                      |  |                        |                       |                        |      |
| f <sub>CLK (SDI)</sub>    | Data transfer rate                   | SDI                                    | 100                    |                       | 3000                   | kHz  |
| t <sub>SDI</sub>          | SDI input pulse duration             | SDI                                    | 60                     |                       | 0.5 / f <sub>CLK</sub> | ns   |
| t <sub>WH</sub>           | Pulse duration, high                 | SDI                                    | 14                     |                       |                        | ns   |
| t <sub>WL</sub>           | Pulse duration, low                  | SDI                                    | 14                     |                       |                        | ns   |
| t <sub>H0</sub>           | Hold time: end of sequence (EOS)     | SDI↑ to SDI↑                           | 3.5 / f <sub>CLK</sub> |                       | 5.5 / f <sub>CLK</sub> | ns   |
| t <sub>H1</sub>           | Hold time: data latch (GSLAT)        | SDI↑ to SDI↑                           | 8 / f <sub>CLK</sub>   |                       |                        | ns   |

### 6.4 Thermal Information

| THERMAL METRIC <sup>(1)</sup> |  | TLC5973 | UNIT |
|-------------------------------|--|---------|------|
|                               |  | D (SO)  |      |
|                               |  | 8 PINS  |      |
| R <sub>θJA</sub>              | Junction-to-ambient thermal resistance       | 134.6   | °C/W |
| R <sub>θJC(top)</sub>         | Junction-to-case (top) thermal resistance    | 88.6    |      |
| R <sub>θJB</sub>              | Junction-to-board thermal resistance         | 75.3    |      |
| ψ <sub>JT</sub>               | Junction-to-top characterization parameter   | 37.7    |      |
| ψ <sub>JB</sub>               | Junction-to-board characterization parameter | 74.8    |      |
| R <sub>θJC(bot)</sub>         | Junction-to-case (bottom) thermal resistance | N/A     |      |

(1) For more information about traditional and new thermal metrics, see the *IC Package Thermal Metrics* application report, [SPRA953](http://www.ti.com/lit/zip/spra953).

## 6.5 Electrical Characteristics

At  $T_A = -40^\circ\text{C}$  to  $85^\circ\text{C}$ ,  $V_{CC} = 3\text{ V}$  to  $6.0\text{ V}$ , and  $C_{VCC} = 0.1\ \mu\text{F}$ . Typical values at  $T_A = 25^\circ\text{C}$  and  $V_{CC} = 5.0\text{ V}$ , unless otherwise noted.

| PARAMETER         |  | TEST CONDITIONS  | MIN   | TYP         | MAX       | UNIT          |
|-------------------|--|--|---|-------------|-----------|---------------|
| $V_{OH}$          | High-level output voltage (SDO)                            | $I_{OH} = -2\text{ mA}$  | $V_{CC} - 0.4$                                  |             | $V_{CC}$  | V             |
| $V_{OL}$          | Low-level output voltage (SDO)                             | $I_{OL} = 2\text{ mA}$   | 0   |             | 0.4       | V             |
| $V_{IREF}$        | Reference voltage output                                   | $R_{IREF} = 1.5\text{ k}\Omega$  | 1.18  | 1.20        | 1.23      | V             |
| $V_R$             | Shunt regulator output voltage ( $V_{CC}$ )                | $I_{CC} = 1\text{ mA}$ , SDI = low   |   | 5.9         |           | V             |
| $I_{CC0}$         | Supply current ( $V_{CC}$ )                                | $V_{CC} = 3.0\text{ V}$ to $5.5\text{ V}$ , SDI = low, all grayscale (GSn) = FFFh, $V_{OUTn} = 1\text{ V}$ , SDO = $15\text{ pF}$ , $R_{IREF} = 27\text{ k}\Omega$ ( $I_{OUTn} = 2\text{-mA target}$ )     |   | 3           | 6         | mA            |
| $I_{CC1}$         |  | $V_{CC} = 3.0\text{ V}$ to $5.5\text{ V}$ , SDI = low, all grayscale (GSn) = FFFh, $V_{OUTn} = 1\text{ V}$ , SDO = $15\text{ pF}$ , $R_{IREF} = 3\text{ k}\Omega$ ( $I_{OUTn} = 17\text{-mA target}$ )     |   | 4           | 7         | mA            |
| $I_{CC2}$         |  | $V_{CC} = 3.0\text{ V}$ to $5.5\text{ V}$ , SDI = 5 MHz, all grayscale (GSn) = FFFh, $V_{OUTn} = 1\text{ V}$ , SDO = $15\text{ pF}$ , $R_{IREF} = 3\text{ k}\Omega$ ( $I_{OUTn} = 17\text{-mA target}$ )   |   | 5           | 8         | mA            |
| $I_{CC3}$         |  | $V_{CC} = 3.0\text{ V}$ to $5.5\text{ V}$ , SDI = 5 MHz, all grayscale (GSn) = FFFh, $V_{OUTn} = 1\text{ V}$ , SDO = $15\text{ pF}$ , $R_{IREF} = 1.5\text{ k}\Omega$ ( $I_{OUTn} = 34\text{-mA target}$ ) |   | 5.5         | 10        | mA            |
| $I_{OLC}$         | Constant output current (OUT0 to OUT2)                     | All $OUTn = \text{on}$ , $V_{OUTn} = 1\text{ V}$ , $V_{OUTfix} = 1\text{ V}$ , $R_{IREF} = 1.5\text{ k}\Omega$   | 31  | 34          | 37        | mA            |
| $I_{OLKG}$        | Output leakage current (OUT0 to OUT2)                      | GSn = 000h, $V_{OUTn} = 21\text{ V}$   | $T_J = -40^\circ\text{C}$ to $85^\circ\text{C}$ |             | 0.1       | $\mu\text{A}$ |
|                   |  |  | $T_J = 85^\circ\text{C}$ to $125^\circ\text{C}$ |             | 0.2       | $\mu\text{A}$ |
| $\Delta I_{OLC0}$ | Constant-current error (channel-to-channel) <sup>(1)</sup> | All $OUTn = \text{on}$ , $V_{OUTn} = V_{OUTfix} = 1\text{ V}$ , $R_{IREF} = 1.5\text{ k}\Omega$  |   | $\pm 0.5\%$ | $\pm 3\%$ |               |
| $\Delta I_{OLC1}$ | Constant-current error (device-to-device) <sup>(2)</sup>   | All $OUTn = \text{on}$ , $V_{OUTn} = V_{OUTfix} = 1\text{ V}$ , $R_{IREF} = 1.5\text{ k}\Omega$  |   | $\pm 0.5\%$ | $\pm 6\%$ |               |
| $\Delta I_{OLC2}$ | Line regulation of constant-current output <sup>(3)</sup>  | All $OUTn = \text{on}$ , $V_{OUTn} = V_{OUTfix} = 1\text{ V}$ , $R_{IREF} = 1.5\text{ k}\Omega$  |   | $\pm 0.5$   | $\pm 1$   | %/V           |
| $\Delta I_{OLC3}$ | Load regulation of constant-current output <sup>(4)</sup>  | All $OUTn = \text{on}$ , $V_{OUTn} = V_{OUTfix} = 1\text{ V}$ , $R_{IREF} = 1.5\text{ k}\Omega$  |   | $\pm 0.5$   | $\pm 1$   | %/V           |
| $R_{PD}$          | Internal pull-down resistance (SDI)                        | At SDI   |   | 1           |           | M $\Omega$    |

- (1) The deviation of each output (OUT0 to OUT2) from the constant-current average. Deviation is calculated by the formula:

$$\Delta (\%) = \left[ \frac{\frac{I_{OUTn}}{I_{OUT0} + I_{OUT1} + I_{OUT2}} - 1}{3} \right] \times 100$$

, where  $n = 0$  to  $2$ .

- (2) Deviation of the constant-current average in each color group from the ideal constant-current value. Deviation is calculated by the formula:

$$\Delta (\%) = \left[ \frac{\frac{I_{OUT0} + I_{OUT1} + I_{OUT2}}{3} - \text{Ideal Output Current}}{\text{Ideal Output Current}} \right] \times 100$$

Ideal current is calculated by the formula:

$$I_{OUTn(\text{IDEAL})} (\text{mA}) = 43.4 \times \left[ \frac{1.20}{R_{IREF} (\Omega)} \right]$$

, where  $n = 0$  to  $2$ .

- (3) Line regulation is calculated by the formula:

$$\Delta (\%/V) = \left[ \frac{(I_{OUTn} \text{ at } V_{CC} = 5.5\text{ V}) - (I_{OUTn} \text{ at } V_{CC} = 3.0\text{ V})}{I_{OUTn} \text{ at } V_{CC} = 3.0\text{ V}} \right] \times \frac{100}{5.5\text{ V} - 3.0\text{ V}}$$

, where  $n = 0$  to  $2$ .

- (4) Load regulation is calculated by the equation:

$$\Delta (\%/V) = \left[ \frac{(I_{OUTn} \text{ at } V_{OUTn} = 3.0\text{ V}) - (I_{OUTn} \text{ at } V_{OUTn} = 1.0\text{ V})}{I_{OUTn} \text{ at } V_{OUTn} = 1.0\text{ V}} \right] \times \frac{100}{3.0\text{ V} - 1.0\text{ V}}$$

, where  $n = 0$  to  $2$ .

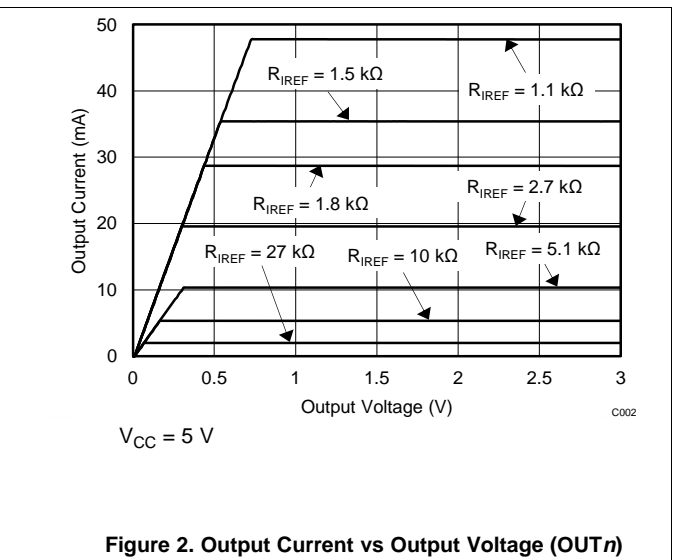
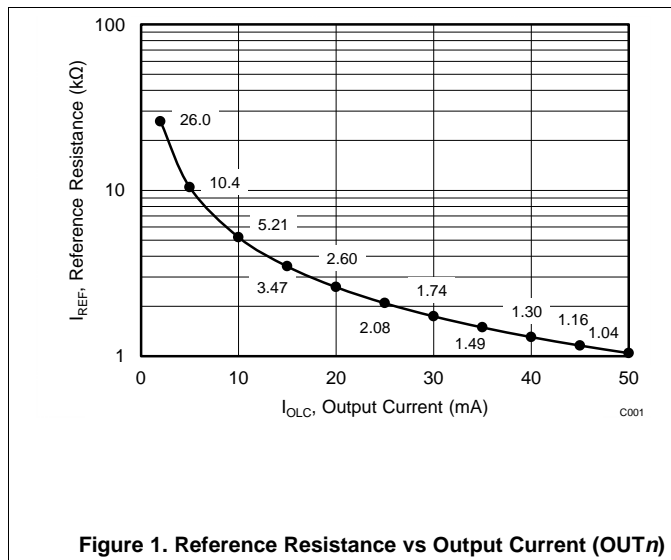
### 6.6 Switching Characteristics

At  $T_A = -40^{\circ}\text{C}$  to  $85^{\circ}\text{C}$ ,  $V_{CC} = 3.0\text{ V}$  to  $5.5\text{ V}$ ,  $C_L = 15\text{ pF}$ ,  $R_L = 110\ \Omega$ , and  $V_{LED} = 5.0\text{ V}$ , unless otherwise noted. Typical values are at  $T_A = 25^{\circ}\text{C}$  and  $V_{CC} = 5.0\text{ V}$ .

| PARAMETER |                                      | TEST CONDITIONS  | MIN | TYP | MAX | UNIT |
|-----------|--------------------------------------|--|-----|-----|-----|------|
| $t_{R0}$  | Rise time                            | SDO  | 2   | 6   | 12  | ns   |
| $t_{R1}$  |                                      | OUT $n$ (on $\rightarrow$ off)   |     | 200 | 400 | ns   |
| $t_{F0}$  | Fall time                            | SDO  | 2   | 6   | 12  | ns   |
| $t_{F1}$  |                                      | OUT $n$ (off $\rightarrow$ on)   |     | 200 | 400 | ns   |
| $t_{D0}$  | Propagation delay                    | SDI $\uparrow$ to SDO $\uparrow$   |     | 30  | 50  | ns   |
| $t_{D1}$  |                                      | OUT0 $\downarrow$ to OUT1 $\downarrow$ , OUT1 $\downarrow$ to OUT2 $\downarrow$ ,<br>OUT0 $\uparrow$ to OUT1 $\uparrow$ , OUT1 $\uparrow$ to OUT2 $\uparrow$ |     | 25  |     | ns   |
| $t_{WO}$  | Shift data output one pulse duration | SDO $\uparrow$ to SDO $\downarrow$   | 15  | 25  | 45  | ns   |
| $f_{OSC}$ | Internal GS oscillator frequency     |  | 8   | 12  | 16  | MHz  |

### 6.7 Typical Characteristics

At  $T_A = 25^{\circ}\text{C}$  and  $V_{CC} = 12\text{ V}$ , unless otherwise noted.



## 7 Parameter Measurement Information

### 7.1 Pin-Equivalent Input and Output Schematic Diagrams

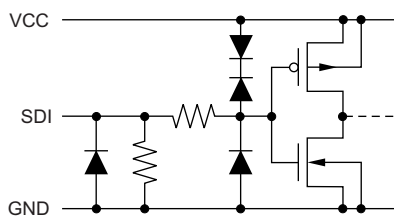


Figure 3. SDI

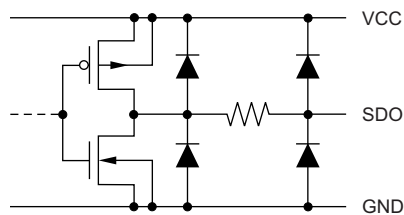
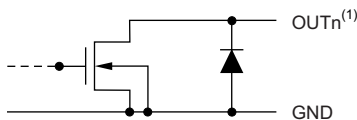


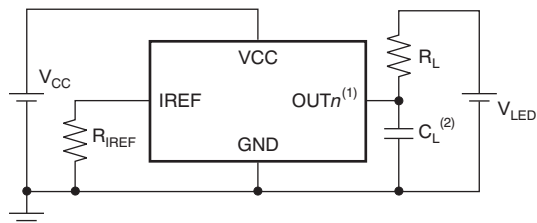
Figure 4. SDO



(1)  $n = 0$  to 2.

Figure 5. OUT0 Through OUT2

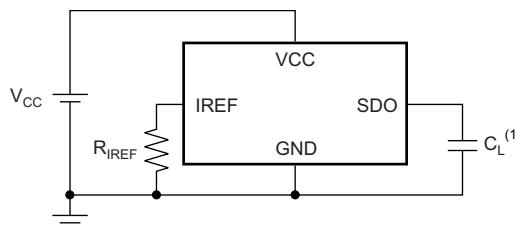
### 7.2 Test Circuits



(1)  $n = 0$  to 2.

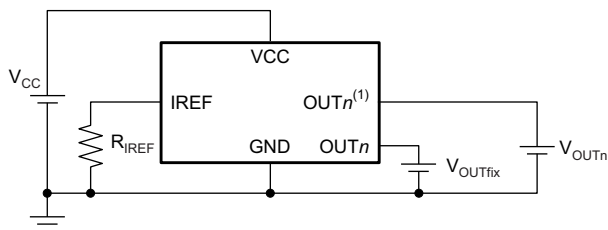
(2)  $C_L$  includes measurement probe and jig capacitance.

Figure 6. Rise and Fall Time Test Circuit for  $OUT_n$



(1)  $C_L$  includes measurement probe and jig capacitance.

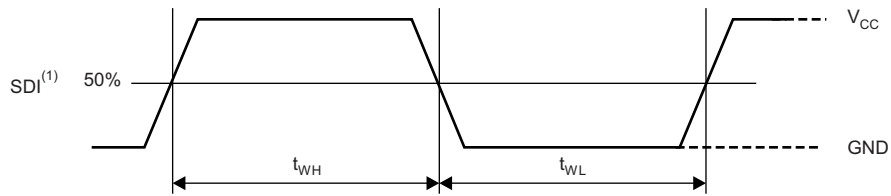
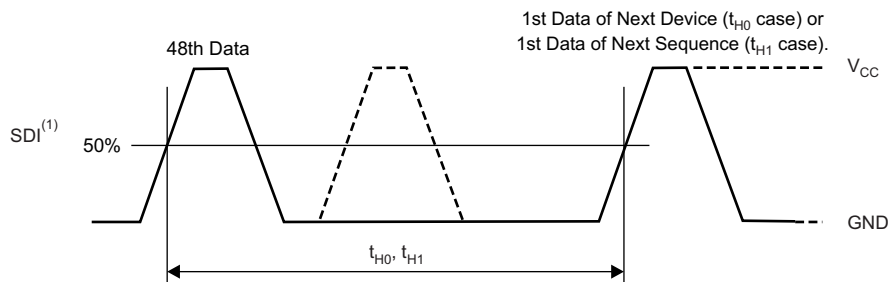
Figure 7. Rise and Fall Time Test Circuit for SDO



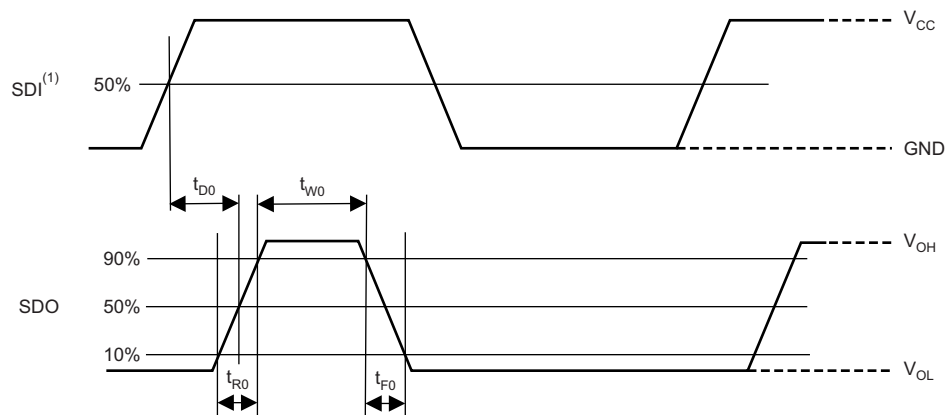
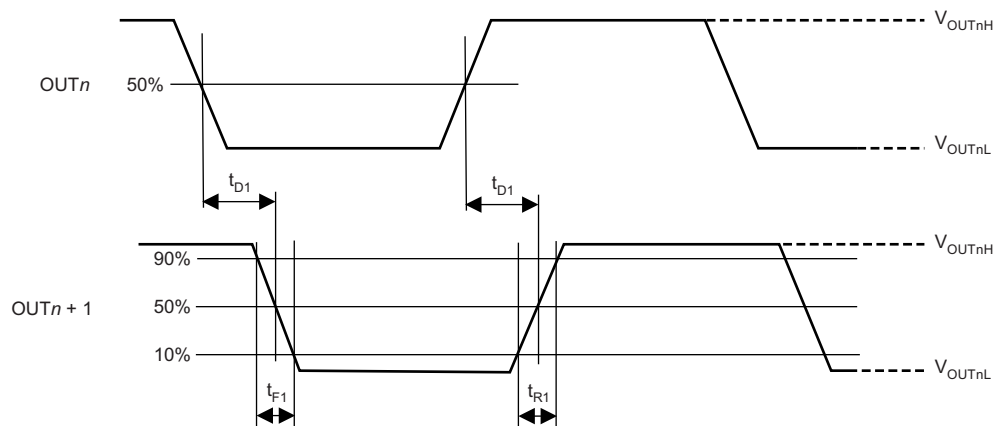
(1)  $n = 0$  to 2.

Figure 8. Constant-Current Test Circuit for  $OUT_n$

### 7.3 Timing Diagrams

 $t_{WH}, t_{WL}$ 

 $t_{H0}, t_{H1}$ 


(1) Input pulse rise and fall time is 1 ns to 3 ns.

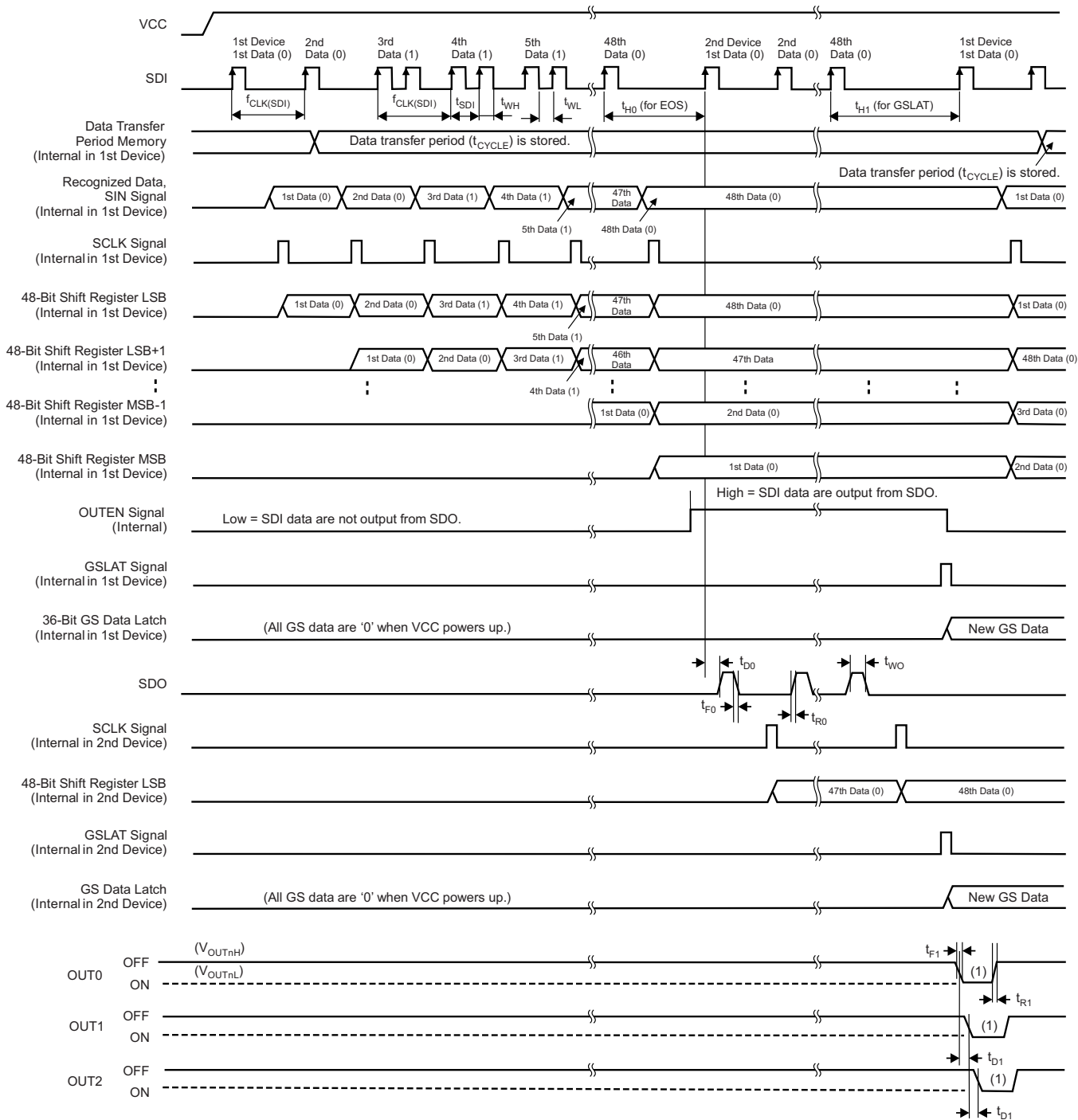
**Figure 9. Input Timing**
 $t_{R0}, t_{F0}, t_{D0}, t_{W0}$ 

 $t_{R1}, t_{F1}, t_{D1}$ 


(1) Input pulse rise and fall time is 1 ns to 3 ns.

**Figure 10. Output Timing**



Timing Diagrams (continued)



(1)  $OUT_n$  on-time changes, depending on the data in the 36-bit GS data latch.

Figure 11. Data Write and  $OUT_n$  Switching Timing

## 8 Detailed Description

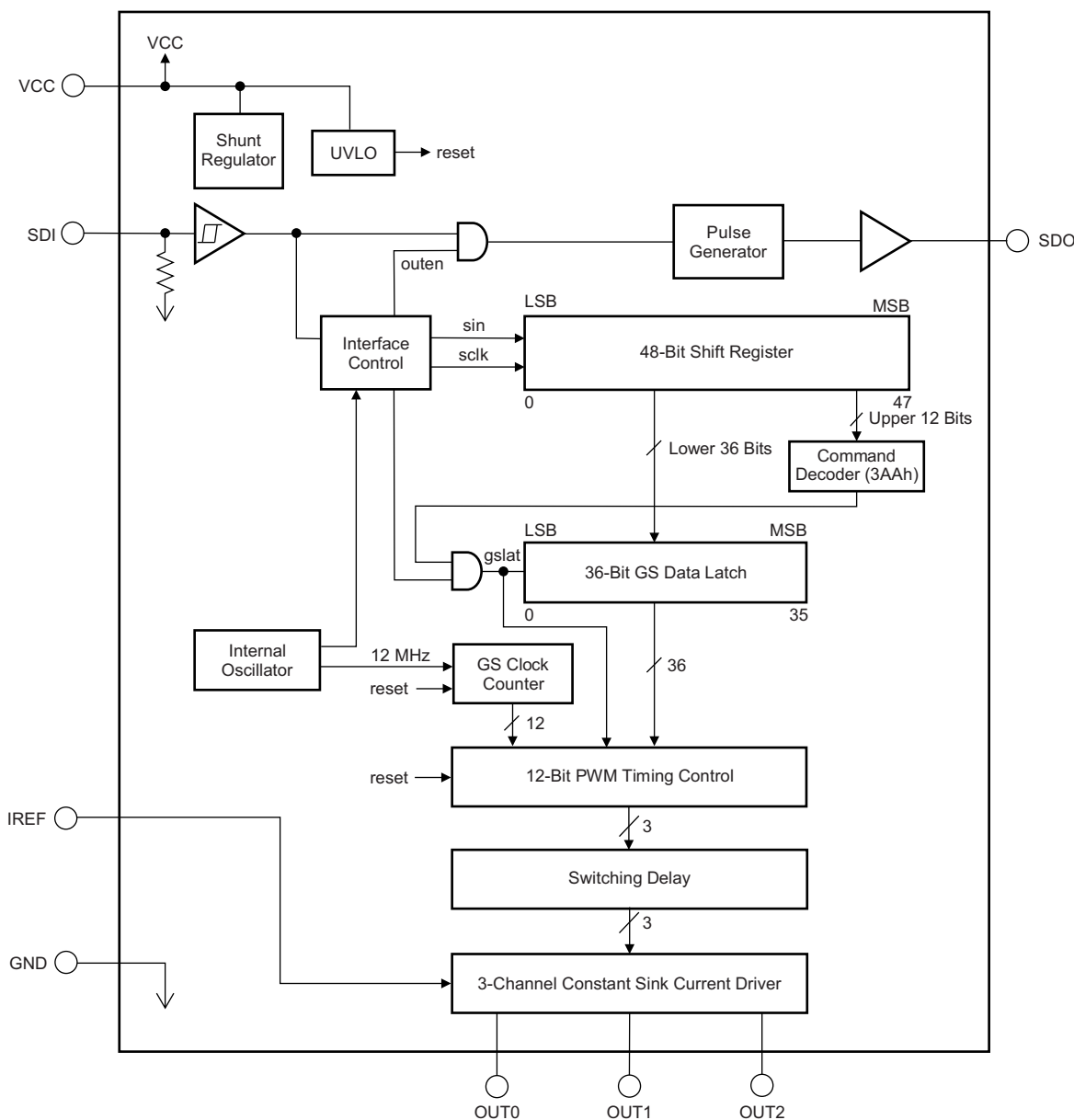
### 8.1 Overview

The TLC5973 is 3-channel, 50-mA, constant-current LED driver that can control LED on-time with pulse width modulation (PWM) in 4096 steps for grayscale (GS) control. A maximum of 68 billion colors can be generated with red, green, and blue LEDs connected to each constant-current output. Furthermore, a reference clock generator is implemented in the device, which means that the reference clock for PWM timing control is not required to be supplied from an external clock generator or controller.

The device adopts a single-wire input or output system. Therefore, communication wire cost and communication wire failure are reduced. Further wire cost reduction can be attained when supplying power to the device. One wire can be eliminated because the device power can be generated from the LED power line with the internal shunt regulator.

The device can reduce the amount of incorrect data writes because the one-write command is required to write GS data to the device. The maximum data transfer rate for the device is 3 Mbps. Therefore, GS data can be updated with a high refresh rate even if many devices are connected in series. The number of TLC5973 devices connected in series is not limited because the TLC5973 has an internal buffer that drives the output signal.

## 8.2 Functional Block Diagram



## 8.3 Feature Description

### 8.3.1 Grayscale (GS) Control

This control feature is a 12-bit (4096-step) grayscale (GS) control that provides a wide range of color generation. 68 billion colors can be generated with the red, green, and blue LEDs. Connect the LEDs to the device  $OUT_n$  pins, as described in the [Applications and Implementation](#) section.

### 8.3.2 EasySet and Shunt Regulator

This device includes a single-wire serial interface (EasySet) and a shunt regulator. The total number of wires for power supply and data write operations can be reduced with the EasySet and shunt regulator included in the design.

## Feature Description (continued)

### 8.3.3 No Limit Cascading

This feature results in no limitation on the number of total cascaded devices used in series in an application. This advantage is attained because a timing-adjusted pulse generator is implemented in the device.

### 8.3.4 Constant Sink Current Value

The output current value of each channel ( $I_{OLC}$ ) is programmed by a single resistor ( $R_{IREF}$ ) that is placed between the IREF and GND pins. The current value can be calculated by [Equation 1](#):

$$R_{IREF} \text{ (k}\Omega\text{)} = \frac{V_{IREF} \text{ (V)}}{I_{OLC} \text{ (mA)}} \times 43.4$$

where:

- $V_{IREF}$  = the internal reference voltage on IREF (typically 1.20 V), and
- $I_{OLC}$  = 2 mA to 50 mA (1)

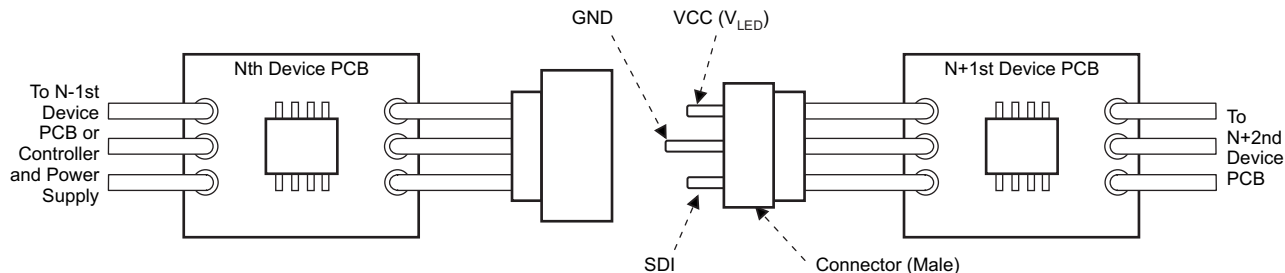
$I_{OLC}$  is the current for each output. Each output sinks  $I_{OLC}$  current when it is turned on.  $R_{IREF}$  must be between 1 k $\Omega$  and 27 k $\Omega$  in order to hold  $I_{OLC}$  between 50 mA (typ) and 1.93 mA (typ). Otherwise, the output may be unstable. Refer to [Figure 1](#) and [Table 1](#) for the constant-current sink values for specific external resistor values.

**Table 1. Constant-Current Output versus External Resistor Value**

| $I_{OLC}$ (mA) | $R_{IREF}$ (k $\Omega$ , typ) |
|----------------|-------------------------------|
| 50             | 1.04                          |
| 45             | 1.16                          |
| 40             | 1.30                          |
| 35             | 1.49                          |
| 30             | 1.74                          |
| 25             | 2.08                          |
| 20             | 2.60                          |
| 15             | 3.47                          |
| 10             | 5.21                          |
| 5              | 10.4                          |
| 2              | 26.0                          |

### 8.3.5 Connector Design

When the connector pin of the device application printed circuit board (PCB) is connected or disconnected to other PCBs, the power pin must be turned off to avoid device malfunction or failure. Furthermore, designing the connector GND pin to be longer than other pins (as shown in [Figure 12](#)) is preferable. This arrangement allows the GND line to either be connected first or disconnected last, which is imperative for proper device function.



**Figure 12. Connector Pin Design Application**

## 8.4 Device Functional Modes

### 8.4.1 Grayscale (GS) Function (PWM Control)

The TLC5973 can adjust the brightness of each output channel using a pulse width modulation (PWM) control scheme. The PWM data bit length for each output is 12 bits. The architecture of 12 bits per channel results in 4096 brightness steps, from 0% to 99.98% on-time duty cycle.

The PWM operation for  $OUT_n$  is controlled by an 12-bit grayscale (GS) counter. The GS counter increments on each internal GS clock (GSCLK) rising edge. All  $OUT_n$  are turned on when the GS counter is '1', except when  $OUT_n$  are programmed to GS data '0' in the 36-bit GS data latch. After turning on, each output turns off when the GS counter value exceeds the programmed GS data for the output. The GS counter resets to 000h and all outputs are forced off when the GS data are written to the 36-bit GS data latch. Afterwards, the GS counter begins incrementing and PWM control is started from the next internal GS clock.

**Device Functional Modes (continued)**

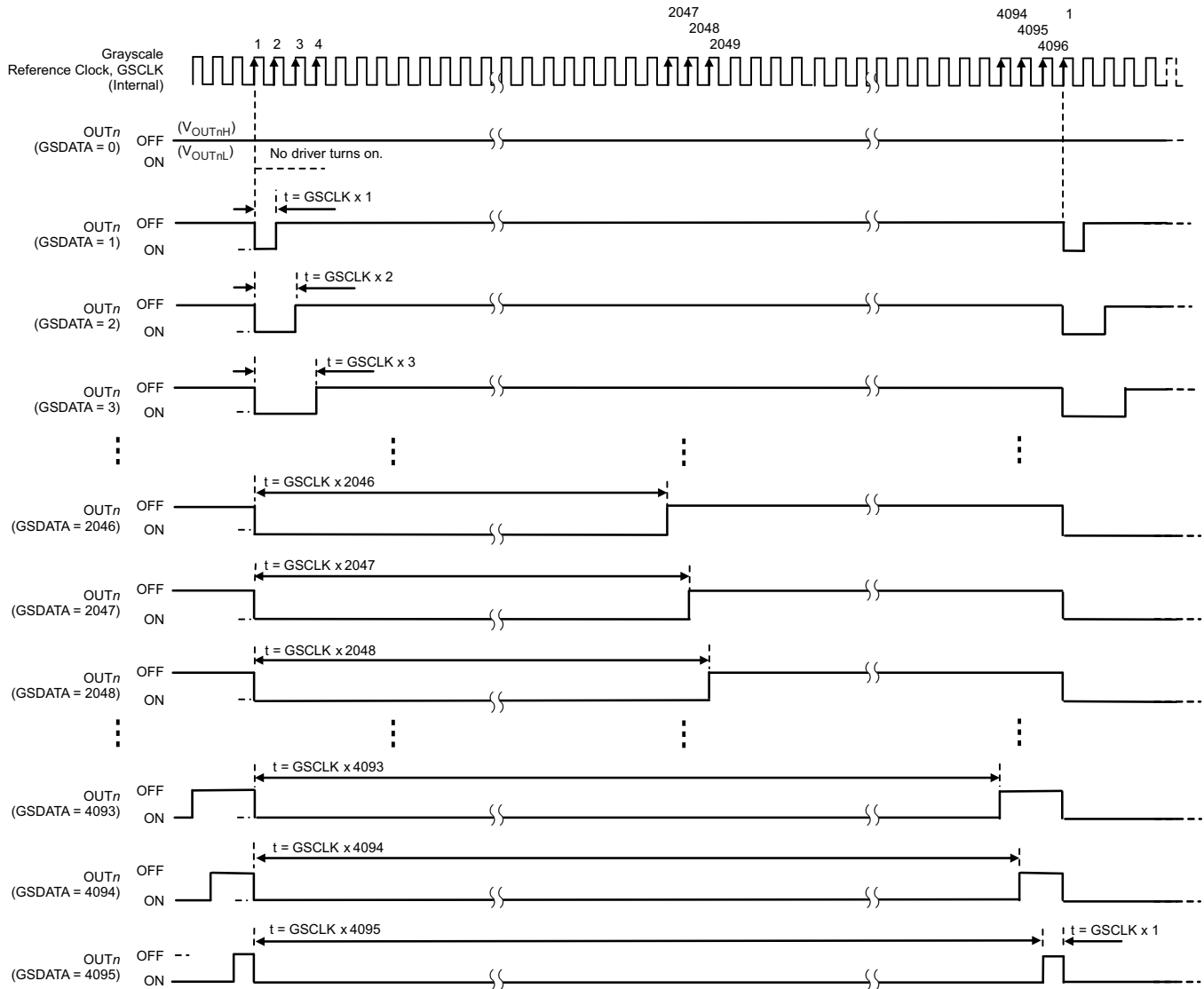
**Table 2** summarizes the GS data values versus the output ideal on-time duty cycle. Furthermore, actual on-time differs from the ideal on-time because the output drivers and control circuit have some timing delay. When the device is powered on, all outputs are forced off and remain off until the non-zero GS data are written to the 36-bit GS data latch.

**Table 2. Output Duty Cycle and Total On-Time versus GS Data**

| GS DATA |     | NO. OF GSCLKs<br>OUT <sub>n</sub> TURNS ON | NO. OF GSCLKs<br>OUT <sub>n</sub> TURNS OFF | TOTAL IDEAL TIME<br>( $\mu$ s) | ON-TIME DUTY (%) |
|---------|-----|--|---|--------------------------------|------------------|
| DECIMAL | HEX |  |   |                                |                  |
| 0       | 0   | Off  | Off   | 0                              | 0                |
| 1       | 1   | 1  | 2   | 0.08                           | 0.02             |
| 2       | 2   | 1  | 3   | 0.17                           | 0.05             |
| —       | —   | —  | —   | —                              | —                |
| 255     | 0FE | 1  | 256   | 21.25                          | 6.23             |
| 256     | 0FF | 1  | 257   | 21.33                          | 6.25             |
| 257     | 100 | 1  | 258   | 21.42                          | 6.27             |
| —       | —   | —  | —   | —                              | —                |
| 511     | 1FF | 1  | 512   | 42.58                          | 12.48            |
| 512     | 200 | 1  | 513   | 42.67                          | 12.50            |
| 513     | 201 | 1  | 514   | 42.75                          | 12.52            |
| —       | —   | —  | —   | —                              | —                |
| 1023    | 3FF | 1  | 1024  | 85.25                          | 24.98            |
| 1024    | 400 | 1  | 1025  | 85.33                          | 25.00            |
| 1025    | 401 | 1  | 1026  | 85.42                          | 25.00            |
| —       | —   | —  | —   | —                              | —                |
| 2047    | 7FF | 1  | 2048  | 170.6                          | 49.98            |
| 2048    | 800 | 1  | 2049  | 170.7                          | 50.00            |
| 2049    | 801 | 1  | 2050  | 170.8                          | 50.02            |
| —       | —   | —  | —   | —                              | —                |
| 4093    | FFD | 1  | 4094  | 341.1                          | 99.93            |
| 4094    | FFE | 1  | 4095  | 341.2                          | 99.95            |
| 4095    | FFF | 1  | 4096  | 341.3                          | 99.98            |

### 8.4.1.1 PWM Control

The GS counter keeps track of the number of grayscale reference clocks (GSCLKs) from the internal oscillator. Each output stays on while the counter is less than or equal to the programmed GS value. Each output turns off when the GS counter is greater than the GS value in the 36-bit GS data latch. Figure 13 illustrates the PWM operation timing.



(1) Actual on-time differs from the ideal on-time.

Figure 13. PWM Operation

### 8.4.2 One-Wire Interface (EasySet) Data Writing Method

There are four sequences to write GS data into the TLC5973 via a single-wire interface. This section discusses each sequence in detail.

#### 8.4.2.1 Data Transfer Rate ( $t_{CYCLE}$ ) Measurement Sequence

The TLC5973 measures the time between the first and second SDI rising edges either after the device is powered up or when the GS data latch sequence is executed (as described in the [GS Data Latch Sequence \(GSLAT\)](#) section) and the time is internally stored as  $t_{CYCLE}$ .  $t_{CYCLE}$  serves as a base time used to recognize one complete data write operation, a 48-bit data write operation, and a GS data write operation to the GS data latch.  $t_{CYCLE}$  can be set between  $0.33 \mu\text{s}$  and  $10 \mu\text{s}$  ( $f_{CLK(SDI)} = 100 \text{ kHz}$  to  $3000 \text{ kHz}$ ). In this sequence, two instances of data '0' are written to the LSB side of the 48-bit shift register. [Figure 14](#) shows the  $t_{CYCLE}$  measurement timing.

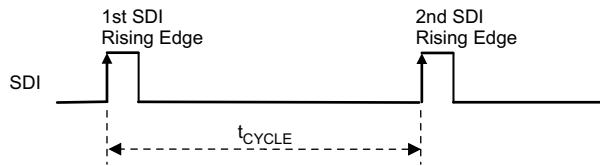


Figure 14. Data Transfer Rate ( $t_{CYCLE}$ ) Measurement

#### 8.4.2.2 Data '0' and Data '1' Write Sequence (Data Write Sequence)

When the second SDI rising edge is not input before  $0.9 \times t_{CYCLE}$  elapses from the first SDI rising edge input, the data are recognized as '0'. When the second SDI rising edge is input before 50% of  $t_{CYCLE}$  elapses from the first SDI rising edge input, the data are recognized as '1'. This write sequence must be repeated 46 times after the  $t_{CYCLE}$  measurement sequence in order to send the write command to the higher 10-bit (3AAh) and 36-bit GS data. [Figure 15](#) shows the data '0' and '1' write timing.

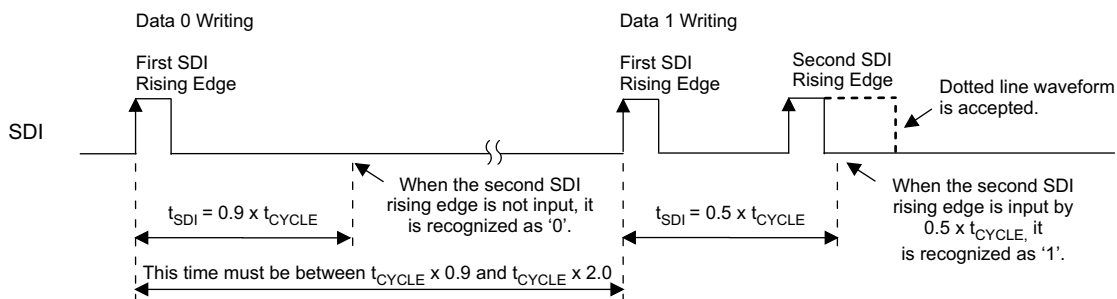


Figure 15. Data '0' and '1' Write Operation



### 8.4.2.3 One Communication Cycle End of Sequence (EOS)

One communication cycle end of sequence (EOS) must be input after the 48-bit data are written because the TLC5973 does not count the number of input data. When SDI is held low for the EOS hold time ( $t_{H0}$ ), the 48-bit shift register values are locked and a buffered SDI signal is output from SDO to transfer GS data to the next device. Figure 16 shows the EOS timing.

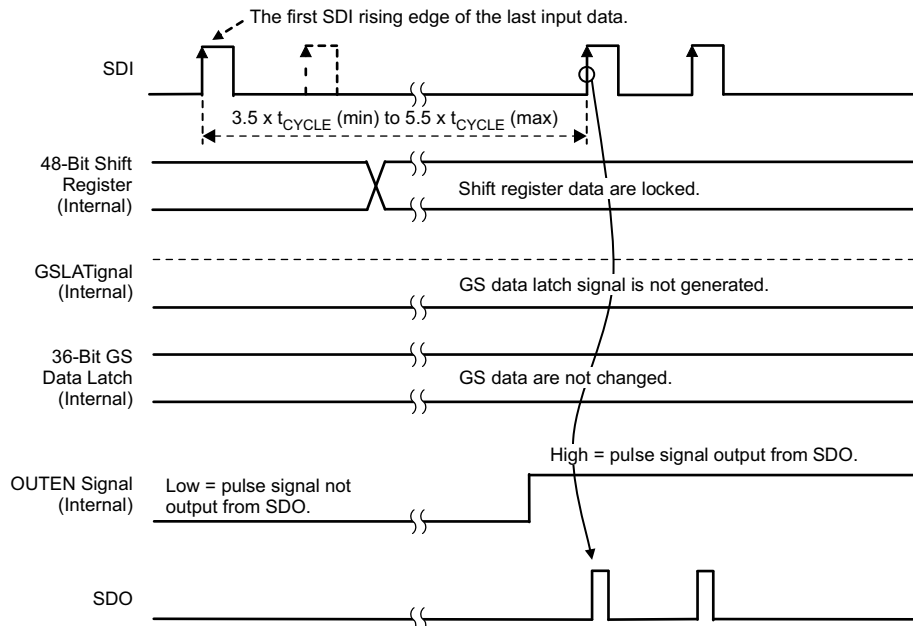
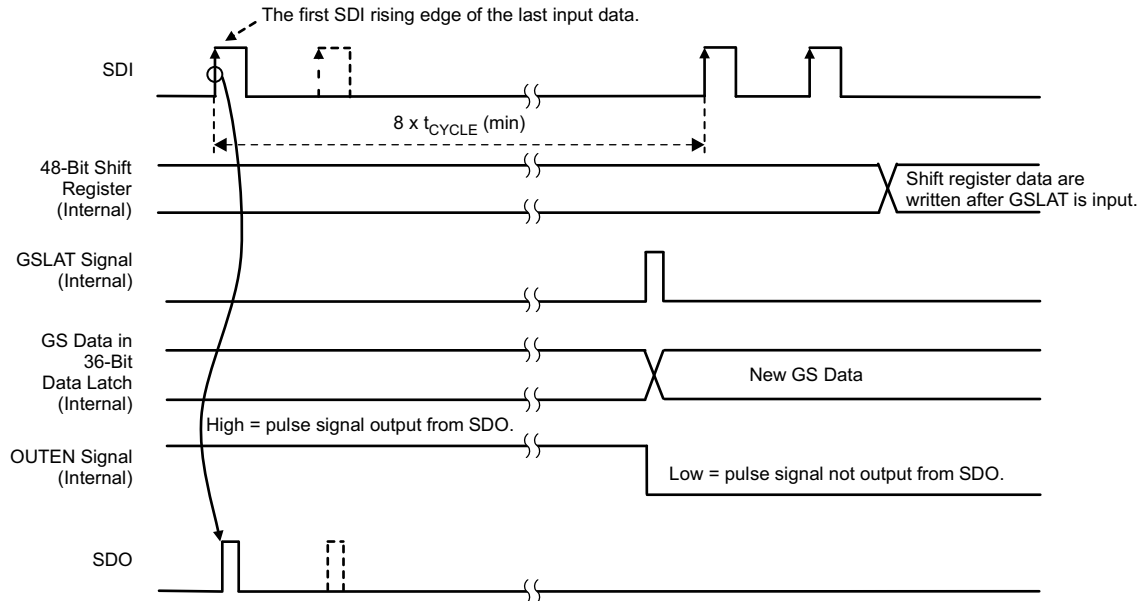


Figure 16. End of Sequence (EOS)

#### 8.4.2.4 GS Data Latch (GSLAT) Sequence

A GS data latch (GSLAT) sequence must be input after the 48-bit data for all cascaded devices are written. When SDI is held low for the data latch hold time ( $t_{HL}$ ), the 48-bit shift register data in all devices are copied to the GS data latch in each device. Furthermore, PWM control starts with the new GS data at the same time. [Figure 17](#) shows the GSLAT timing.



**Figure 17. GS Data Latch Sequence (GSLAT)**

## 8.5 Programming

### 8.5.1 Controlling Devices Connected in Series

The 12-bit write command and 36-bit grayscale (GS) data for OUT0 to OUT2 (for a total of 48 bits of data) must be written to the device. Figure 18 shows the 48-bit data packet configuration. When multiple devices are cascaded (as shown in Figure 19),  $N$  times the packet must be written into each TLC5973 in order to control all devices. There is no limit on how many devices can be cascaded, as long as proper VCC voltage is supplied. The packet for all devices must be written again whenever any GS data changes.

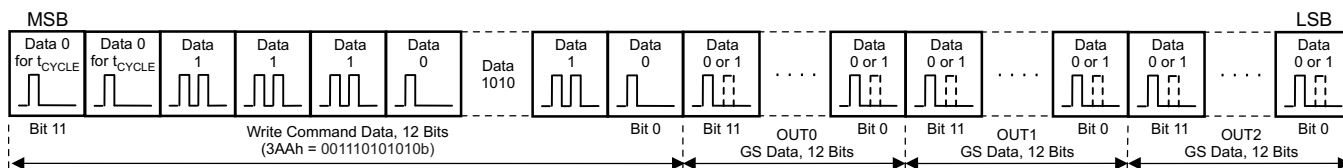


Figure 18. 48-Bit Data Packet Configuration for One TLC5973

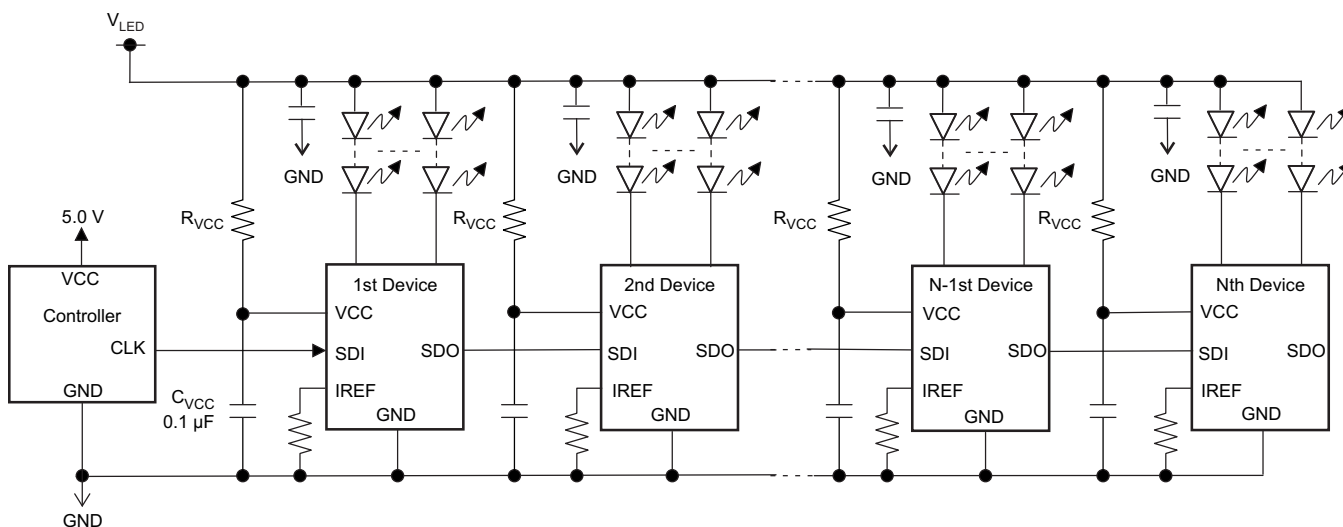
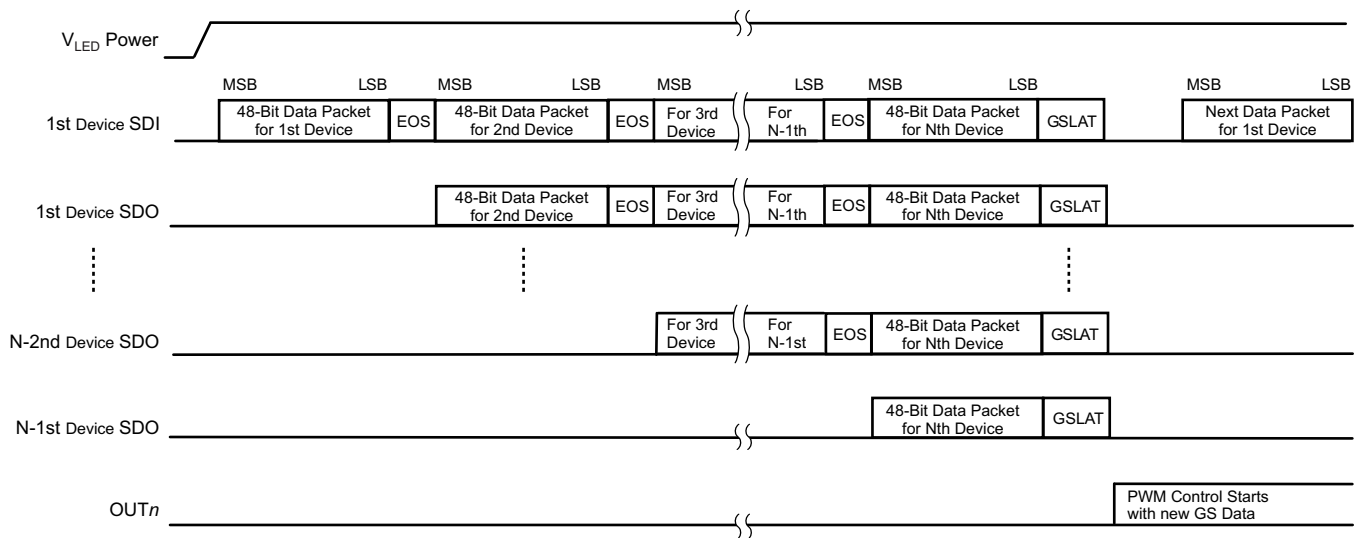


Figure 19. Cascade Connection of  $N$  TLC5973 Units (Internal Shunt Regulator Mode)

## Programming (continued)

The function setting write procedure and display control is:

1. Power-up VCC ( $V_{LED}$ ); all  $OUT_n$  are off because GS data are not written yet.
2. Write the 48-bit data packet (MSB-first) for the first device using  $t_{CYCLE}$  and the data write sequences illustrated in [Figure 14](#) and [Figure 15](#). The first 12 bits of the 48-bit data packet are used as the write command. The write command must be 3AAh (001110101010b); otherwise, the 36-bit GS data in the 48-bit shift register are not copied to the 36-bit GS data latch.
3. Execute one communication cycle EOS (refer to [Figure 16](#)) for the first device.
4. Write the 48-bit data packet for the second TLC5973 as described step 2. However,  $t_{CYCLE}$  should be set to the same timing as the first device.
5. Execute one communication cycle EOS for the second device.
6. Repeat steps 4 and 5 until all devices have GS data.
7. The number of total bits is  $48 \times N$ . After all data are written, execute a GSLAT sequence as described in [Figure 17](#) in order to copy the 36-bit LSBs in the 48-bit shift register to the 36-bit GS data latch in each device; PWM control starts with the written GS data at the same time.



**Figure 20. Data Packet Input Order for N TLC5973 Units**

## 8.6 Register Maps

### 8.6.1 Register and Data Latch Configuration

The TLC5973 has a 48-bit shift register and a 36-bit data latch that stores GS data. When the internal GS data latch pulse is generated and the data of the 12 MSBs in the shift register are 3AAh, the lower 36-bit data in the 48-bit shift register are copied into the 36-bit GS data latch. If the data of the 12 MSBs is not 3AAh, the 36-bit data are not copied into the 36-bit GS data latch. Figure 21 shows the shift register and GS data latch configurations. Table 3 shows the 48-bit shift register bit assignment.

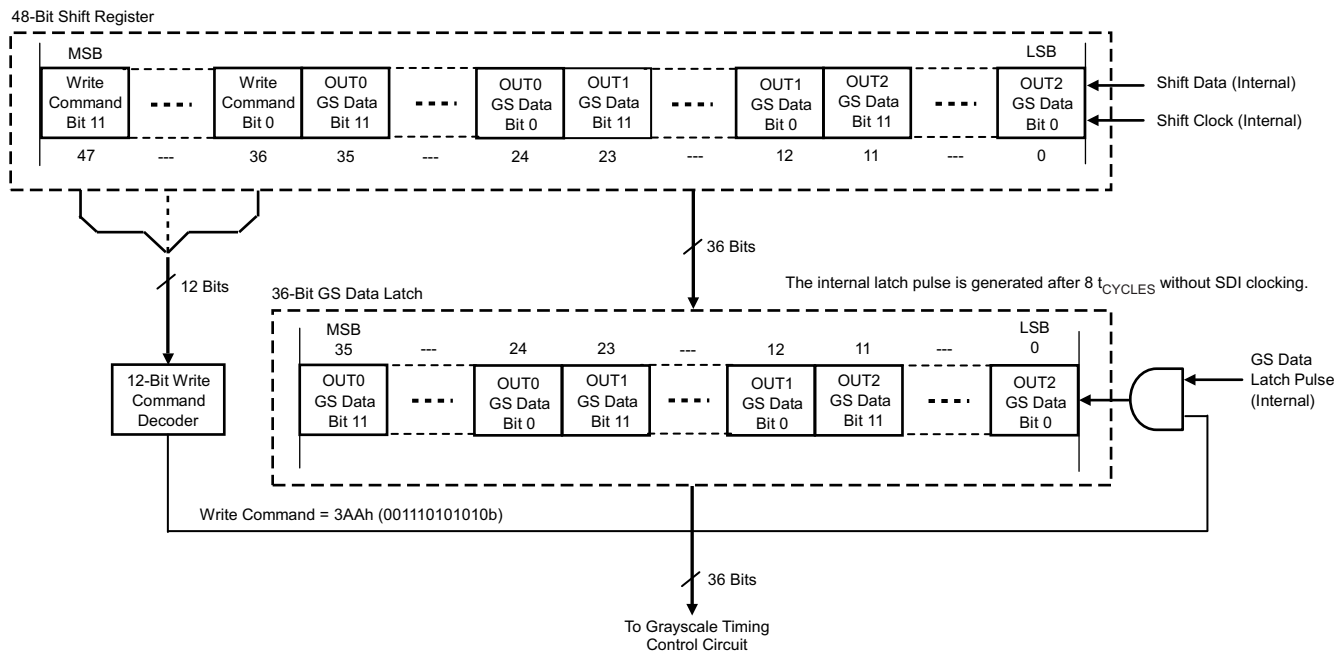


Figure 21. Common Shift Register and Control Data Latches Configuration

Table 3. 48-Bit Shift Register Data Bit Assignment

| BITS     | BIT NAME | CONTROLLED CHANNEL/FUNCTIONS   |
|----------|----------|--|
| 0 to 11  | GSOUT2   | GS data bits 0 to 11 for OUT2  |
| 12 to 23 | GSOUT1   | GS data bits 0 to 11 for OUT1  |
| 24 to 35 | GSOUT0   | GS data bits 0 to 11 for OUT0  |
| 36 to 47 | WRTCMD   | Data write command (3AAh) for GS data. The lower 36-bit GS data in the 48-bit shift register are copied to the GS data latch when the internal GS latch is generated (when these data bits are 3AAh, 001110101010b). |

## 9 Applications and Implementation

### 9.1 Application Information

The device is a constant sink current LED driver. This device is typically used to minimize wiring cost in applications and also provides no restrictions of cascading multiple devices in series. Furthermore, the device maximum data transfer rate is 3 Mbps and can contribute high-frequency display data change rates. The following design procedures can be used to maximize application design with minimal wiring cost. The device is also a good choice for higher VCC power-supply voltage applications because of the internal shunt regulator included in the device.

### 9.2 Typical Applications

#### 9.2.1 No Internal Shunt Regulator Mode 1

This application does not use the shunt regulator. However, the device VCC and LED lamp anode voltage can be supplied from the same power supply because only one LED lamp is connected in series.

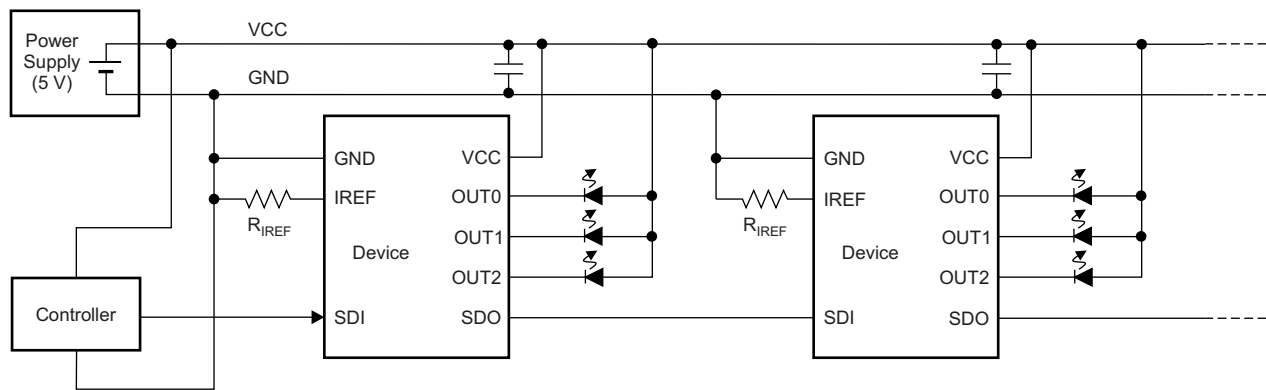


Figure 22. No Internal Shunt Regulator Mode 1 Typical Application Circuit

#### 9.2.1.1 Design Requirements

Table 4. Design Parameters

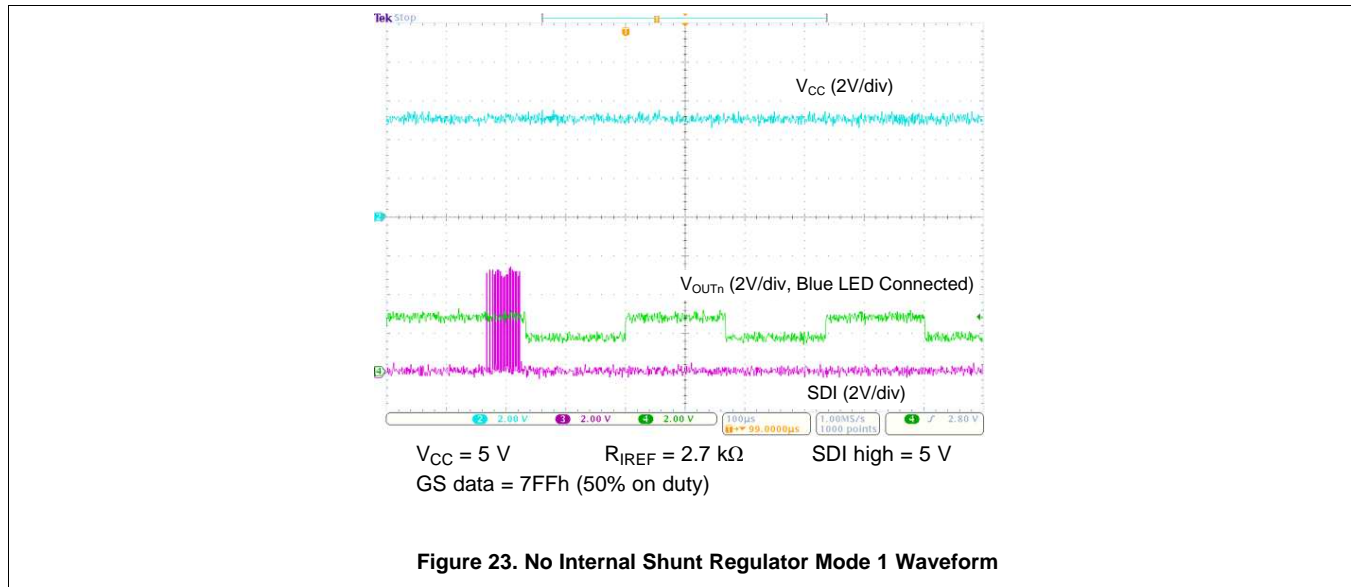
| DESIGN PARAMETER            | EXAMPLE VALUE   |
|-----------------------------|---|
| Input voltage range for VCC | 3.0 V or LED forward voltage ( $V_F$ ) + 1 V to 5.5 V |
| SDI voltage range           | Low level = GND, high level = VCC                     |
| SDI data transfer rate      | 100 kbps to 3 Mbps                                    |

#### 9.2.1.2 Detailed Design Procedure

The  $OUT_n$  ( $n = 0$  to  $2$ ) constant output current is set by an external resistor connected between the device IREF and GND pins. Use [Equation 1](#) to calculate the requirements for  $R_{IREF}$ .

### 9.2.1.3 Application Curve

One LED is connected to each output.



### 9.2.2 No Internal Shunt Regulator Mode 2

This application does not use the shunt regulator. However, the device VCC and LED lamp anode voltage are supplied from different power supplies.

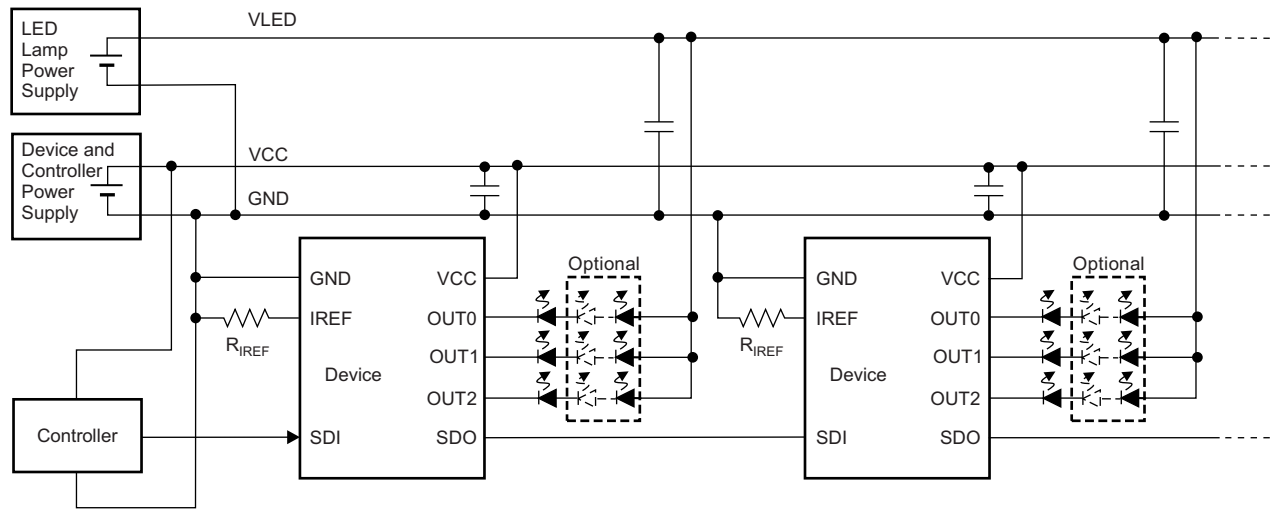


Figure 24. No Internal Shunt Regulator Mode 2 Typical Application Circuit

#### 9.2.2.1 Design Requirements

Table 5. Design Parameters

| DESIGN PARAMETER                 | EXAMPLE VALUE   |
|----------------------------------|---|
| Input voltage range for VCC      | 3.0 V to 5.5 V  |
| Input voltage range for LED lamp | LED forward voltage ( $V_F$ ) $\times$ the number of LED lamps + 1 V; maximum voltage is 24 V |
| SDI voltage range                | Low level = GND, high level = VCC   |
| SDI data frequency               | 100 kbps to 3 Mbps  |

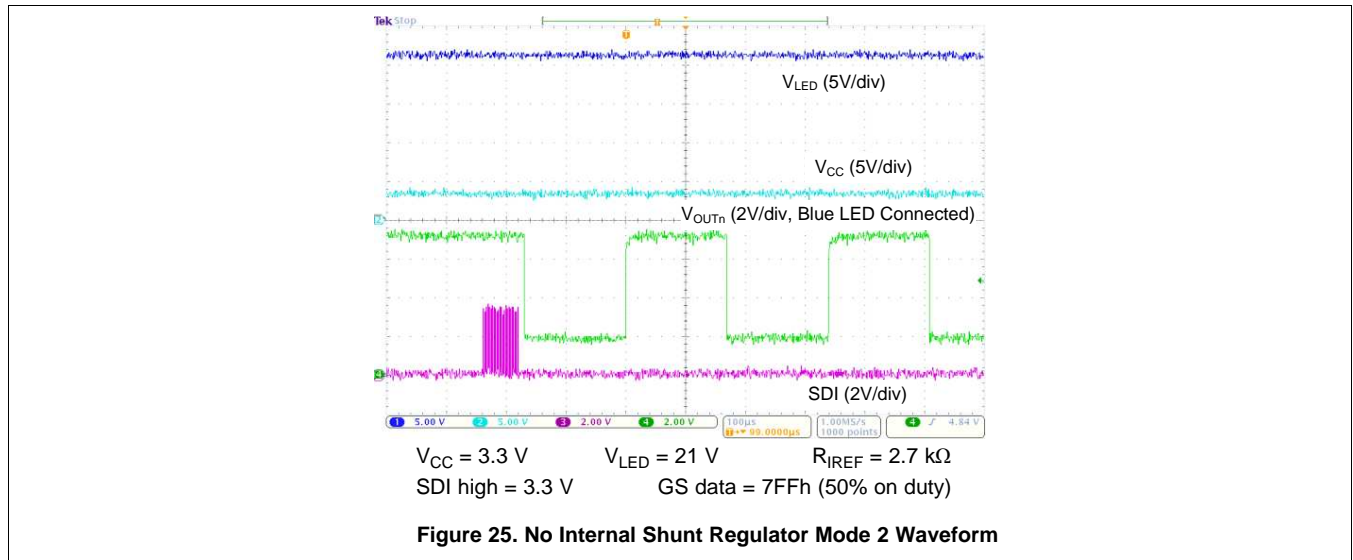
#### 9.2.2.2 Detailed Design Procedure

The  $OUT_n$  ( $n = 0$  to  $2$ ) constant output current is set by an external resistor connected between the device IREF and GND pins. Use Equation 1 to calculate the requirements for  $R_{IREF}$ .



### 9.2.2.3 Application Curve

Six LEDs are connected in series to each output.



### 9.2.3 Internal Shunt Regulator Mode

This application uses the shunt regulator. The device VCC and LED lamp anode voltage are supplied from the same power supply. At least two LED lamps are connected in series.

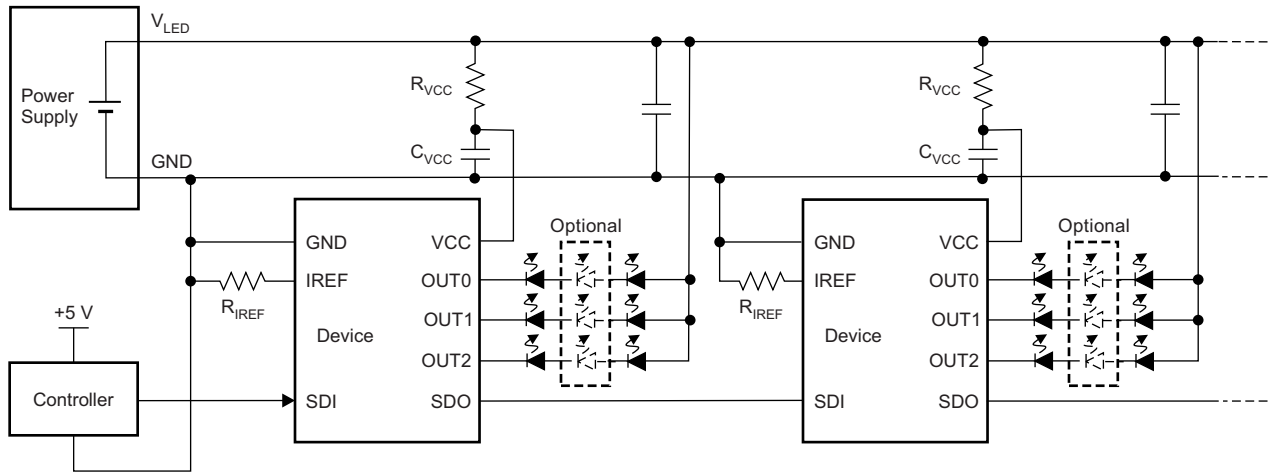


Figure 26. Internal Shunt Regulator Mode Typical Application Circuit

#### 9.2.3.1 Design Requirements

Table 6. Design Parameters

| DESIGN PARAMETER                         | EXAMPLE VALUE                                |
|--|--|
| Input voltage range for V <sub>LED</sub> | 6 V to 24 V                                  |
| SDI voltage range                        | Low level = GND, high level = 5.0 V to 6.0 V |
| SDI data transfer rate                   | 100 kbps to 3 Mbps                           |

#### 9.2.3.2 Detailed Design Procedure

The TLC5973 internally integrates a shunt regulator to regulate V<sub>CC</sub> voltage. Refer to Figure 27 for an application circuit that uses the internal shunt regulator through a resistor, R<sub>VCC</sub>. The recommended R<sub>VCC</sub> value can be calculated by Equation 2.

$$\frac{V_{LED} (V) - 5.9 V}{13 \text{ mA}} < R_{VCC} < \frac{V_{LED} (V) - 5.9 V}{11 \text{ mA}} \tag{2}$$

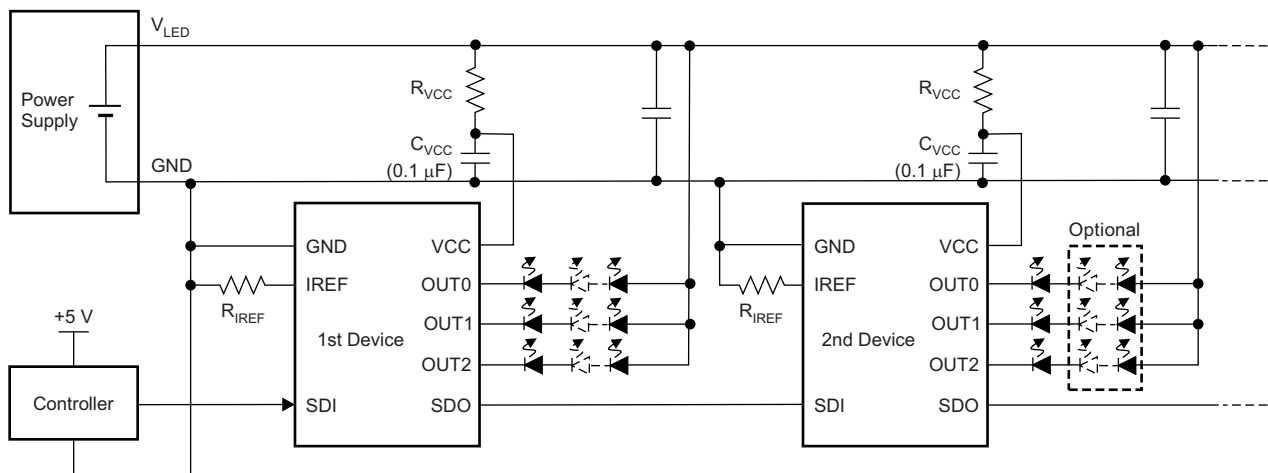


Figure 27. Internal Shunt Regulator Mode Application Circuit

Table 7 shows the typical resistor value for several  $V_{LED}$  voltages. Note that the  $C_{VCC}$  value should be 0.1  $\mu$ F.

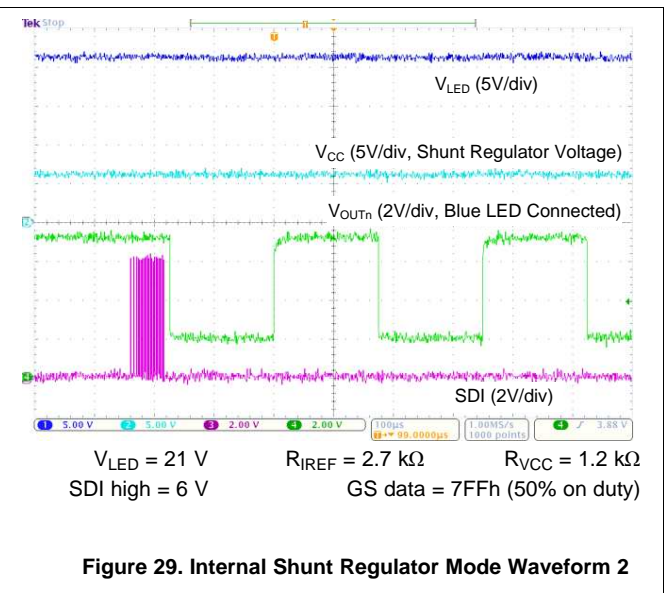
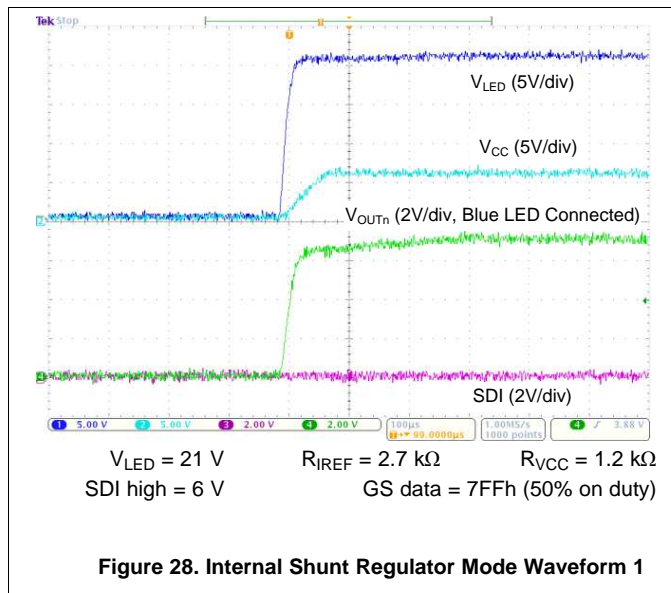
**Table 7. Resistor Example for Shunt Resistor versus LED Voltage<sup>(1)</sup>**

| $V_{LED}$ (V) | $R_{VCC}$ ( $\Omega$ ) | RESISTOR WATTAGE (W) |
|---------------|------------------------|----------------------|
| 9             | 270                    | 0.04                 |
| 12            | 510                    | 0.07                 |
| 18            | 1000                   | 0.15                 |
| 24            | 1500                   | 0.22                 |

(1)  $R_{IREF}$  is at 1.5 k $\Omega$ .

### 9.2.3.3 Application Curves

Six LEDs are connected in series to each output.



## 10 Power Supply Recommendations

The power supply voltage should be well regulated. An electrolytic capacitor must be used to reduce the voltage ripple to less than 5% of the input voltage.

## 11 Layout

### 11.1 Layout Guidelines

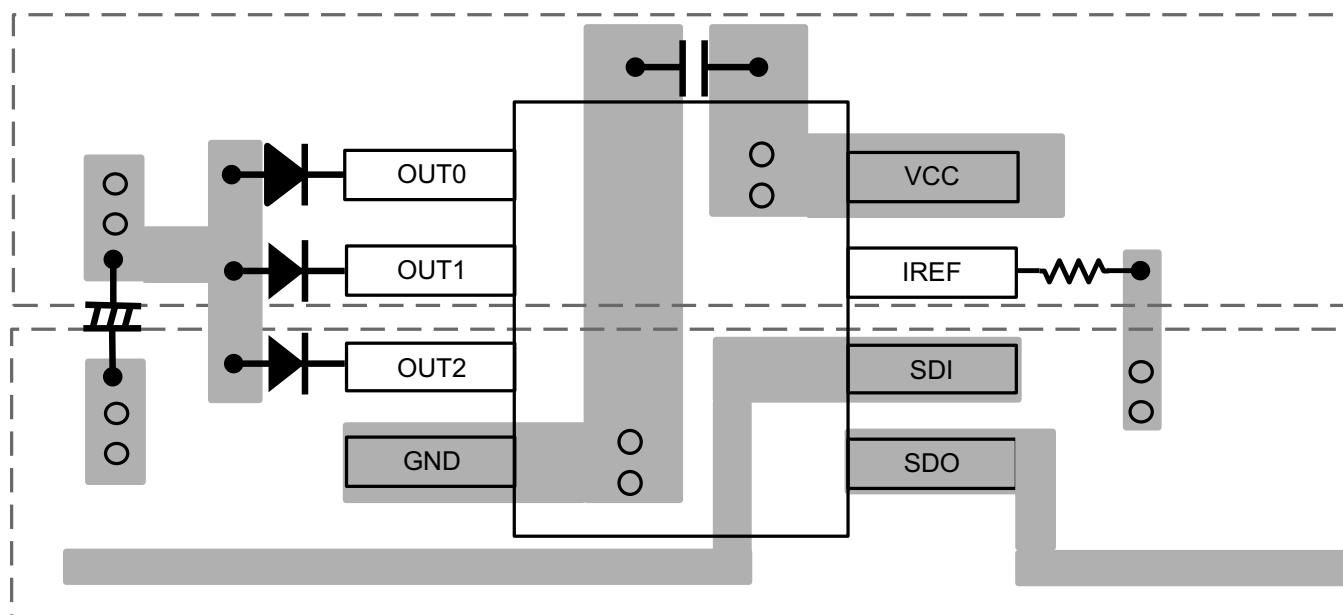
- The resistor used for the output current setting should be placed near the IREF and GND pins of the device.
- The decoupling capacitor and the shunt regulator resistor should be placed near the VCC pin of the device.

### 11.2 Layout Example

○ Via

■ Top-Side PCB Pattern

⋮ Bottom-Side PCB Pattern



**Figure 30. Layout Example**

## 12 Device and Documentation Support

### 12.1 Trademarks

EasySet is a trademark of Texas Instruments, Inc.  
All other trademarks are the property of their respective owners.

### 12.2 Electrostatic Discharge Caution



These devices have limited built-in ESD protection. The leads should be shorted together or the device placed in conductive foam during storage or handling to prevent electrostatic damage to the MOS gates.

### 12.3 Glossary

[SLYZ022](#) — *TI Glossary*.

This glossary lists and explains terms, acronyms and definitions.

## 13 Mechanical, Packaging, and Orderable Information

The following pages include mechanical packaging and orderable information. This information is the most current data available for the designated devices. This data is subject to change without notice and revision of this document. For browser-based versions of this data sheet, refer to the left-hand navigation.

**PACKAGING INFORMATION**

| Orderable Device | Status<br>(1) | Package Type | Package<br>Drawing | Pins | Package<br>Qty | Eco Plan<br>(2) | Lead finish/<br>Ball material<br>(6) | MSL Peak Temp<br>(3) | Op Temp (°C) | Device Marking<br>(4/5) | Samples                 |
|------------------|---------------|--------------|--------------------|------|----------------|-----------------|--------------------------------------|----------------------|--------------|-------------------------|-------------------------|
| TLC5973D         | ACTIVE        | SOIC         | D                  | 8    | 75             | RoHS & Green    | NIPDAU                               | Level-1-260C-UNLIM   | -40 to 125   | 5973                    | <a href="#">Samples</a> |
| TLC5973DR        | ACTIVE        | SOIC         | D                  | 8    | 2500           | RoHS & Green    | NIPDAU                               | Level-1-260C-UNLIM   | -40 to 125   | 5973                    | <a href="#">Samples</a> |

(1) The marketing status values are defined as follows:

**ACTIVE:** Product device recommended for new designs.

**LIFEBUY:** TI has announced that the device will be discontinued, and a lifetime-buy period is in effect.

**NRND:** Not recommended for new designs. Device is in production to support existing customers, but TI does not recommend using this part in a new design.

**PREVIEW:** Device has been announced but is not in production. Samples may or may not be available.

**OBSOLETE:** TI has discontinued the production of the device.

(2) **RoHS:** TI defines "RoHS" to mean semiconductor products that are compliant with the current EU RoHS requirements for all 10 RoHS substances, including the requirement that RoHS substance do not exceed 0.1% by weight in homogeneous materials. Where designed to be soldered at high temperatures, "RoHS" products are suitable for use in specified lead-free processes. TI may reference these types of products as "Pb-Free".

**RoHS Exempt:** TI defines "RoHS Exempt" to mean products that contain lead but are compliant with EU RoHS pursuant to a specific EU RoHS exemption.

**Green:** TI defines "Green" to mean the content of Chlorine (Cl) and Bromine (Br) based flame retardants meet JS709B low halogen requirements of <=1000ppm threshold. Antimony trioxide based flame retardants must also meet the <=1000ppm threshold requirement.

(3) MSL, Peak Temp. - The Moisture Sensitivity Level rating according to the JEDEC industry standard classifications, and peak solder temperature.

(4) There may be additional marking, which relates to the logo, the lot trace code information, or the environmental category on the device.

(5) Multiple Device Markings will be inside parentheses. Only one Device Marking contained in parentheses and separated by a "~" will appear on a device. If a line is indented then it is a continuation of the previous line and the two combined represent the entire Device Marking for that device.

(6) Lead finish/Ball material - Orderable Devices may have multiple material finish options. Finish options are separated by a vertical ruled line. Lead finish/Ball material values may wrap to two lines if the finish value exceeds the maximum column width.

**Important Information and Disclaimer:**The information provided on this page represents TI's knowledge and belief as of the date that it is provided. TI bases its knowledge and belief on information provided by third parties, and makes no representation or warranty as to the accuracy of such information. Efforts are underway to better integrate information from third parties. TI has taken and continues to take reasonable steps to provide representative and accurate information but may not have conducted destructive testing or chemical analysis on incoming materials and chemicals. TI and TI suppliers consider certain information to be proprietary, and thus CAS numbers and other limited information may not be available for release.

In no event shall TI's liability arising out of such information exceed the total purchase price of the TI part(s) at issue in this document sold by TI to Customer on an annual basis.



**TAPE AND REEL INFORMATION**

**QUADRANT ASSIGNMENTS FOR PIN 1 ORIENTATION IN TAPE**


\*All dimensions are nominal

| Device    | Package Type | Package Drawing | Pins | SPQ  | Reel Diameter (mm) | Reel Width W1 (mm) | A0 (mm) | B0 (mm) | K0 (mm) | P1 (mm) | W (mm) | Pin1 Quadrant |
|-----------|--------------|-----------------|------|------|--------------------|--------------------|---------|---------|---------|---------|--------|---------------|
| TLC5973DR | SOIC         | D               | 8    | 2500 | 330.0              | 12.5               | 6.4     | 5.2     | 2.1     | 8.0     | 12.0   | Q1            |



**TAPE AND REEL BOX DIMENSIONS**



\*All dimensions are nominal

| Device    | Package Type | Package Drawing | Pins | SPQ  | Length (mm) | Width (mm) | Height (mm) |
|-----------|--------------|-----------------|------|------|-------------|------------|-------------|
| TLC5973DR | SOIC         | D               | 8    | 2500 | 353.0       | 353.0      | 32.0        |

**TUBE**


\*All dimensions are nominal

| Device   | Package Name | Package Type | Pins | SPQ | L (mm) | W (mm) | T (μm) | B (mm) |
|----------|--------------|--------------|------|-----|--------|--------|--------|--------|
| TLC5973D | D            | SOIC         | 8    | 75  | 507    | 8      | 3940   | 4.32   |

# D0008A



## PACKAGE OUTLINE

SOIC - 1.75 mm max height

SMALL OUTLINE INTEGRATED CIRCUIT



4214825/C 02/2019

### NOTES:

1. Linear dimensions are in inches [millimeters]. Dimensions in parenthesis are for reference only. Controlling dimensions are in inches. Dimensioning and tolerancing per ASME Y14.5M.
2. This drawing is subject to change without notice.
3. This dimension does not include mold flash, protrusions, or gate burrs. Mold flash, protrusions, or gate burrs shall not exceed .006 [0.15] per side.
4. This dimension does not include interlead flash.
5. Reference JEDEC registration MS-012, variation AA.

# EXAMPLE BOARD LAYOUT

D0008A

SOIC - 1.75 mm max height

SMALL OUTLINE INTEGRATED CIRCUIT



LAND PATTERN EXAMPLE  
EXPOSED METAL SHOWN  
SCALE:8X



SOLDER MASK DETAILS

4214825/C 02/2019

NOTES: (continued)

- 6. Publication IPC-7351 may have alternate designs.
- 7. Solder mask tolerances between and around signal pads can vary based on board fabrication site.

# EXAMPLE STENCIL DESIGN

D0008A

SOIC - 1.75 mm max height

SMALL OUTLINE INTEGRATED CIRCUIT



SOLDER PASTE EXAMPLE  
BASED ON .005 INCH [0.125 MM] THICK STENCIL  
SCALE:8X

4214825/C 02/2019

NOTES: (continued)

8. Laser cutting apertures with trapezoidal walls and rounded corners may offer better paste release. IPC-7525 may have alternate design recommendations.
9. Board assembly site may have different recommendations for stencil design.

## IMPORTANT NOTICE AND DISCLAIMER

TI PROVIDES TECHNICAL AND RELIABILITY DATA (INCLUDING DATA SHEETS), DESIGN RESOURCES (INCLUDING REFERENCE DESIGNS), APPLICATION OR OTHER DESIGN ADVICE, WEB TOOLS, SAFETY INFORMATION, AND OTHER RESOURCES "AS IS" AND WITH ALL FAULTS, AND DISCLAIMS ALL WARRANTIES, EXPRESS AND IMPLIED, INCLUDING WITHOUT LIMITATION ANY IMPLIED WARRANTIES OF MERCHANTABILITY, FITNESS FOR A PARTICULAR PURPOSE OR NON-INFRINGEMENT OF THIRD PARTY INTELLECTUAL PROPERTY RIGHTS.

These resources are intended for skilled developers designing with TI products. You are solely responsible for (1) selecting the appropriate TI products for your application, (2) designing, validating and testing your application, and (3) ensuring your application meets applicable standards, and any other safety, security, regulatory or other requirements.

These resources are subject to change without notice. TI grants you permission to use these resources only for development of an application that uses the TI products described in the resource. Other reproduction and display of these resources is prohibited. No license is granted to any other TI intellectual property right or to any third party intellectual property right. TI disclaims responsibility for, and you will fully indemnify TI and its representatives against, any claims, damages, costs, losses, and liabilities arising out of your use of these resources.

TI's products are provided subject to [TI's Terms of Sale](#) or other applicable terms available either on [ti.com](https://www.ti.com) or provided in conjunction with such TI products. TI's provision of these resources does not expand or otherwise alter TI's applicable warranties or warranty disclaimers for TI products.

TI objects to and rejects any additional or different terms you may have proposed.

Mailing Address: Texas Instruments, Post Office Box 655303, Dallas, Texas 75265  
Copyright © 2024, Texas Instruments Incorporated