

# TPS389C03-Q1 Multichannel Overvoltage and Undervoltage I<sup>2</sup>C Programmable Voltage Supervisor and Monitor with Q&A Watchdog

## 1 Features

- ASIL-D functional safety-compliant
  - Documentation to aid ISO 26262 system design
  - Systematic capability up to ASIL D
  - Hardware capability up to ASIL D
- AEC-Q100 qualified with the following results:
  - Device temperature grade 1: –40°C to +125°C
  - Device HBM ESD classification level 2
  - Device CDM ESD classification level C7B
- Q&A Watchdog to monitor SoC software operation
  - Programmable OPEN/CLOSE watchdog timing through I<sup>2</sup>C (1ms to 864ms)
  - Start-up delay for SoC boot up initialization (2ms to 3.46s)
  - Programmable maximum violation count (up to 7) before WDO assertion
  - Watchdog disable pin (WDE)
- Monitor state-of-the art SOCs
  - Three channels with three remote sense (TPS389C03-Q1)
  - Input voltage range: 2.6V to 5.5V
  - Undervoltage lockout (UVLO): 2.6V
  - High threshold accuracy:
    - ± 5mV (–40°C to +125°C)
    - Built-in ADC for voltage readouts
    - Fixed window threshold levels
      - 5mV steps from 0.2V to 1.475V
      - 20mV steps in other ranges
- Miniature solution and minimal component cost
  - 3mm × 3mm QFN package
  - User adjustable voltage threshold levels via I<sup>2</sup>C
  - User adjustable glitch immunity and hysteresis levels via I<sup>2</sup>C
- Designed for safety applications
  - Error Signal Monitoring (ESM)
    - Programmable ESM delay via I<sup>2</sup>C (1ms to 864ms)

- Cyclic Redundancy Checking (CRC)
- Packet Error Checking (PEC)
- Active-low open-drain NIRQ, NRST, and WDO outputs

## 2 Applications

- [Advanced driver assistance system \(ADAS\)](#)
- [Sensor fusion](#)
  - Level 3 to Level 5 Autonomous Platforms

## 3 Description

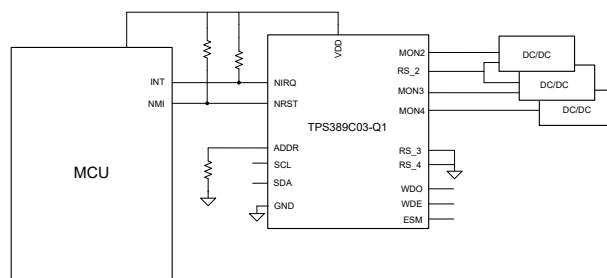
The TPS389C03-Q1 device is an integrated multichannel window monitor reset IC with three remote sense pins available in a 16-pin 3mm × 3mm QFN package.

This highly accurate multichannel voltage supervisor is designed for systems that operate on low-voltage supply rails and have narrow margin supply tolerances. Internal glitch immunity and noise filters further eliminate false resets resulting from erroneous signals. This TPS389C03-Q1 device does not require any external resistors for setting overvoltage and undervoltage reset thresholds, which further optimizes overall accuracy, cost, solution size, and improves reliability for safety systems. I<sup>2</sup>C functionality gives flexibility in selecting thresholds, reset delays, glitch filters, and pin functionality. This device offers CRC error checking and a built-in ADC for voltage readouts to provide redundant error checking. The device has a built in Q&A watchdog and Error Signal monitor with independent watchdog enable and watchdog output.

### Package Information

PART NUMBER	PACKAGE <sup>(1)</sup>	PACKAGE SIZE <sup>(2)</sup>
TPS389C03-Q1	RTE (WQFN, 16)	3mm × 3mm

- (1) For all available packages, see [Section 12](#).
- (2) The package size (length × width) is a nominal value and includes pins, where applicable.



TPS389C03-Q1 Typical Circuit



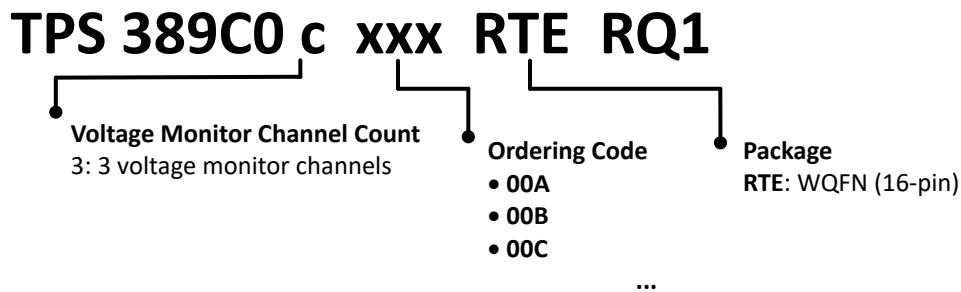
## Table of Contents

<b>1 Features</b> .....	1	8.1 Registers Overview.....	46
<b>2 Applications</b> .....	1	<b>9 Application and Implementation</b> .....	79
<b>3 Description</b> .....	1	9.1 Application Information.....	79
<b>4 Device Comparison</b> .....	3	9.2 Typical Application.....	80
<b>5 Pin Configuration and Functions</b> .....	5	9.3 Power Supply Recommendations.....	92
<b>6 Specifications</b> .....	6	9.4 Layout.....	92
6.1 Absolute Maximum Ratings.....	6	<b>10 Device and Documentation Support</b> .....	94
6.2 ESD Ratings.....	6	10.1 Device Nomenclature.....	94
6.3 Recommended Operating Conditions.....	6	10.2 Documentation Support.....	96
6.4 Thermal Information.....	7	10.3 Receiving Notification of Documentation Updates..	96
6.5 Electrical Characteristics.....	7	10.4 Support Resources.....	96
6.6 Timing Requirements.....	9	10.5 Trademarks.....	96
<b>7 Detailed Description</b> .....	12	10.6 Electrostatic Discharge Caution.....	96
7.1 Overview.....	12	10.7 Glossary.....	96
7.2 Functional Block Diagram.....	12	<b>11 Revision History</b> .....	96
7.3 Feature Description.....	13	<b>12 Mechanical, Packaging, and Orderable Information</b> .....	97
7.4 Device Functional Modes.....	44		
<b>8 Register Maps</b> .....	46		

## 4 Device Comparison

Figure 4-1 illustrates the device nomenclature. See Table 4-1 and Table 4-2 for more detailed information regarding the configuration of currently released variants. Table 10-1 provides a more in depth description of register configuration and data value stored.

Table 4-3 provides a summary of available device functions and corresponding part number. Contact TI sales representatives or go online to TI's [E2E forum](#) for details and availability of other options; minimum order quantities apply.



**Figure 4-1. TPS389C03-Q1 Device Nomenclature**

**Table 4-1. TPS389C0x-Q1 Device Threshold Table**

Ordering Code	Monitor Channel Count	Thresholds	VMON2 (V)	VMON3 (V)	VMON4 (V)
TPS389C0300CRTERQ1	3	UV_HF/OV_HF	4.56/5.44	3.02/3.6	0.2/1.475
		UV_LF/OV_LF	4.56/5.44	3.02/3.6	0.2/1.475

**Table 4-2. TPS389C0x-Q1 Device Configuration Table**

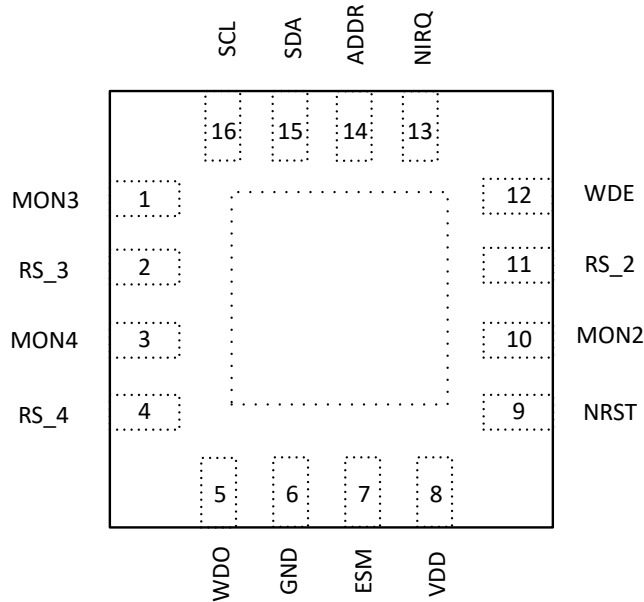
Ordering Code	Functions	Scaling	OV/UV DEBOUNCE	LF CUTOFF	BIST	PEC	WD Open (ms)	WD Close (ms)	Max WD violation count	I2c pull-up voltage (V)
TPS389C0300CRTERQ1	Monitor LF/HF	4/4/1	102.4 us	1kHz	At POR	Disabled	30	30	2	3.3V

**Table 4-3. Multichannel Supervisor Summary Table**

Specification	TPS38900x-Q1	TPS389R0x-Q1 <sup>(1)</sup>	TPS38800x-Q1 <sup>(1)</sup>	TPS388R0x-Q1 <sup>(1)</sup>	TPS389C0x-Q1	TPS388C0x-Q1 <sup>(1)</sup>
Hardware ASIL Rating	D	D	B	B	D	B
Monitoring Channel Count	4 to 8	4 to 7	4 to 8	4 to 7	3 to 6	3 to 6
Monitoring Range	0.2 to 5.5V	0.2 to 5.5V	0.2 to 5.5V	0.2 to 5.5V	0.2 to 5.5V	0.2 to 5.5V
Comparator Monitoring (HF Faults)	✓	✓	✓	✓	✓	✓
ADC Monitoring (LF Faults)	✓	✓	x	x	✓	x
Watchdog	x	x	x	x	Q&A	Window
Voltage Telemetry	✓	✓	x	x	✓	x
Monitor Glitch Filtering	✓	✓	✓	✓	✓	✓
Sequence Logging	✓	x	✓	x	✓	✓
NIRQ PIN	✓	✓	✓	✓	✓	✓
NRST PIN	x	✓	x	✓	✓	✓
SYNC PIN	✓	x	x	x	x	x
WDO PIN	x	x	x	x	✓	✓
WDI PIN	x	x	x	x	x	✓
ESM PIN	x	x	x	x	✓	x

(1) Preview, contact TI sales representatives or on TI's [E2E forum](#) for details and availability of other options

## 5 Pin Configuration and Functions



**Figure 5-1. RTE Package  
16-Pin WQFN  
TPS389C03-Q1 Top View**

**Table 5-1. Pin Functions**

NO.	PIN		I/O	DESCRIPTION
	TPS389C03-Q1	NAME		
1	MON3	MON3	I	Voltage monitor channel 3
2	RS_3	RS_3	I	Remote sense for channel 3
3	MON4	MON4	I	Voltage monitor channel 4
4	RS_4	RS_4	I	Remote sense for channel 4
5	WDO	WDO	O	Open drain pin for Watch Dog errors
6	GND	GND	-	Power ground
7	ESM	ESM	I	Error signal monitor
8	VDD	VDD	-	Power supply rail
9	NRST	NRST	O	Open drain Reset pin
10	MON2	MON2	I	Voltage monitor channel 2
11	RS_2	RS_2	I	Remote sense for channel 2
12	WDE	WDE	I	Watch dog enable
13	NIRQ	NIRQ	O	Active-low open-drain interrupt output
14	ADDR	ADDR	I	I <sup>2</sup> C address select pin
15	SDA	SDA	I/O	I <sup>2</sup> C data pin
16	SCL	SCL	I	I <sup>2</sup> C clock pin
17	GND	GND	-	Exposed power ground pad

## 6 Specifications

### 6.1 Absolute Maximum Ratings

over operating free-air temperature range (unless otherwise noted)<sup>(1)</sup>

		MIN	MAX	UNIT
Voltage	VDD	-0.3	6	V
Voltage	NIRQ,NRST,WDO,ESM,WDE	-0.3	6	V
Voltage	SCL,SDA	-0.3	VDD+0.3	V
Voltage	ADDR	-0.3	2	V
Voltage	MONx	-0.3	6	V
Current	NIRQ,NRST,WDO		±10	mA
Temperature <sup>(2)</sup>	Continuous total power dissipation	See the Thermal Information		
	Operating junction temperature, T <sub>J</sub>	-40	150	°C
	Operating free-air temperature, T <sub>A</sub>	-40	125	°C
	Storage temperature, T <sub>stg</sub>	-65	150	°C

- (1) Stresses beyond values listed under Absolute Maximum Ratings may cause permanent damage to the device. These are stress ratings only, which do not imply functional operation of the device at these or any other conditions beyond those indicated under Recommended Operating Conditions. Exposure to absolute-maximum-rated conditions for extended periods may affect device reliability.
- (2) As a result of the low dissipated power in this device, it is assumed that T<sub>J</sub> = T<sub>A</sub>.

### 6.2 ESD Ratings

		VALUE	UNIT	
V <sub>(ESD)</sub>	Electrostatic discharge	Human-body model (HBM), per ANSI/ESDA/JEDEC JS-001 <sup>(1)</sup>	±2000	
		Charged-device model (CDM), per AEC Q100-011	All pins	±500
			Corner pins	±750

- (1) AEC Q100-002 indicates that HBM stressing shall be in accordance with the ANSI/ESDA/JEDEC JS-001 specification

### 6.3 Recommended Operating Conditions

		MIN	NOM	MAX	UNIT
VDD	Supply pin voltage	2.6		5.5	V
NIRQ,NRST,WDO,ESM,WDE	Pin voltage	0		5.5	V
I <sub>NIRQ,NRST,WDO</sub>	Pin Currents	0		±5	mA
ADDR	Address pin voltage	0		1.8	V
MONx	Monitor Pins	0		5.5	V
SCL,SDA	Pin Voltage	0		VDD	V
R <sub>UP</sub> <sup>(1)</sup>	Pull-up resistor (Open Drain config)	1		100	kΩ
T <sub>J</sub>	Junction temperature (free-air temperature)	-40		125	°C

## 6.4 Thermal Information

THERMAL METRIC <sup>(1)</sup>		TPS389C03-Q1	UNIT
		RTE (WQFN)	
		PINS	
R <sub>θJA</sub>	Junction-to-ambient thermal resistance	53.4	°C/W
R <sub>θJC(top)</sub>	Junction-to-case (top) thermal resistance	51.4	°C/W
R <sub>θJB</sub>	Junction-to-board thermal resistance	17.2	°C/W
Ψ <sub>JT</sub>	Junction-to-top characterization parameter	0.3	°C/W
Ψ <sub>JB</sub>	Junction-to-board characterization parameter	20.7	°C/W
R <sub>θJC(bot)</sub>	Junction-to-case (bottom) thermal resistance	3.9	°C/W

(1) For more information about traditional and new thermal metrics, see the [Semiconductor and IC Package Thermal Metrics](#) application report.

## 6.5 Electrical Characteristics

At 2.6 V ≤ VDD ≤ 5.5 V, NIRQ Voltage = 10 kΩ to VDD, NIRQ load = 10 pF, and over the operating free-air temperature range of –40°C to 125°C, unless otherwise noted. Typical values are at T<sub>J</sub> = 25°C, typical conditions at VDD = 3.3 V.

PARAMETER		TEST CONDITIONS	MIN	TYP	MAX	UNIT
<b>COMMON PARAMETERS</b>						
VDD	Input supply voltage		2.6		5.5	V
VDD <sub>UVLO</sub>	Rising Threshold		2.67		2.81	V
	Falling Threshold		2.48		2.6	V
V <sub>POR</sub>	Power on Reset Voltage <sup>(2)</sup>				1.65	V
I <sub>DD_Active</sub>	Supply current into VDD pin	VDD ≤ 5.5V		1550	2000	μA
V <sub>MONX</sub>	MON voltage range		0.2		5.5	V
I <sub>MONX</sub>	Input current MONx pins	V <sub>MON</sub> = 5V			20	μA
VMON_LF	1x mode (No scaling)		0.2		1.475	V
	4x mode		0.8		5.5	V
VMON_HF	1x mode (No scaling)		0.2		1.475	V
	4x mode		0.8		5.5	V
Threshold Granularity_LF	1x mode (No scaling)			5		mV
	4x mode			20		mV
Threshold Granularity_HF	1x mode (No scaling)			5		mV
Threshold Granularity_HF	4x mode			20		mV
Accuracy_HF	VMON	0.2V ≤ V <sub>MONX</sub> ≤ 1.0V	–6		6	mV
		1.0V < V <sub>MONX</sub> ≤ 1.475V	–7.5		7.5	mV
		1.475V < V <sub>MONX</sub> ≤ 2.95V	–0.6		0.6	%
		V <sub>MONX</sub> > 2.95V	–0.7		0.7	%
V <sub>HYS_HF</sub>	Hysteresis on UV,OV pin (Hysteresis is with respect of the tripoint ((UV),(OV)) <sup>(1)</sup> )	0.2V ≤ V <sub>MONX</sub> ≤ 1.475V		5	11	mV
		1.475V < V <sub>MONX</sub> ≤ 2.95V		9	16	mV
		V <sub>MONX</sub> > 2.95V		17	28	mV
MON_OFF	OFF Voltage threshold	Monitored falling edge of V <sub>MON</sub>	140		215	mV
NIRQ	On resistance- when asserted Low	Open Drain		12	17	Ω
V <sub>OL</sub>	Low level output voltage-NIRQ	NIRQ, 5.5V/5mA			100	mV

## 6.5 Electrical Characteristics (continued)

At 2.6 V ≤ VDD ≤ 5.5 V, NIRQ Voltage = 10 kΩ to VDD, NIRQ load = 10 pF, and over the operating free-air temperature range of –40°C to 125°C, unless otherwise noted. Typical values are at T<sub>J</sub> = 25°C, typical conditions at VDD = 3.3 V.

PARAMETER		TEST CONDITIONS	MIN	TYP	MAX	UNIT
I <sub>lkg(OD)</sub>	Open-Drain output leakage current-NIRQ	NIRQ pin in High Impedance, VNIRQ = 5.5, Not asserted			90	nA
NRST	On resistance- when asserted Low	Open Drain		10	15	Ω
V <sub>OL</sub>	Low level output voltage-NRST	NRST , 5.5V/5mA			100	mV
I <sub>lkg(OD)</sub>	Open-Drain output leakage current-NRST	NRST pin in High Impedance, VNRST = 5.5, Not asserted			600	nA
WDO	On resistance- when asserted Low	Open Drain		12	17	Ω
V <sub>OL</sub>	Low level output voltage-WDO	WDO , 5.5V/5mA			100	mV
I <sub>lkg(OD)</sub>	Open-Drain output leakage current-WDO	WDO pin in High Impedance, VNRST = 5.5, Not asserted			500	nA
ESM_L	Logic Low Input				0.24 x VDD	V
ESM_H	Logic High Input	VDD > 4.5		0.55 x VDD		V
		VDD < 4.5		0.6 x VDD		V
I <sub>lkg(ESM)</sub>	Leakage current	ESM = 5.5V			75	μA
WDE_L	Logic Low Input				0.36	V
WDE_H	Logic High Input		1.26			V
I <sub>lkg(WDE)</sub>	Leakage current	WDE = 5.5V			5	μA
I <sub>ADDR</sub>	ADDR pin current			20		μA
I2C ADDR	(Hex format)	R = 5.36k		0x30		
		R = 16.2k		0x31		
		R = 26.7k		0x32		
		R = 37.4k		0x33		
		R = 47.5k		0x34		
		R = 59.0k		0x35		
		R = 69.8k		0x36		
		R = 80.6k		0x37		
TSD	Thermal Shutdown			155		°C
TSD Hys	Thermal Shutdown Hysteresis			25		°C
RS	Remote sense range		-100		100	mV
<b>ADC SPECIFICATION</b>						
V <sub>in</sub>	Input Range		0.2		5.5	V
Resolution	1x mode	0.2V ≤ VMON ≤ 1.475V		5		mV
	4x mode	VMON > 1.475V		20		mV
f <sub>s</sub>	Sample Rate			125		ksps
Accuracy_LF	VMON, 1x mode	0.2V ≤ VMON ≤ 1.475V		-12	+12	mV
	VMON, 4x mode	VMON > 1.475V		-40	+40	mV
<b>I2C ELECTRICAL SPECIFICATIONS</b>						
V <sub>HYS_LF</sub>	Hysteresis LF Faults, 1x mode	0.2V ≤ VMON ≤ 1.475V		10	15	mV
	Hysteresis LF Faults, 4x mode	VMON > 1.475V		40	55	mV
C <sub>B</sub>	Capacitive load for SDA and SCL				400	pF
SDA, SCL	Low Threshold	DEV_CONFIG.SOC_IF = 0			0.84	V



## 6.5 Electrical Characteristics (continued)

At 2.6 V ≤ VDD ≤ 5.5 V, NIRQ Voltage = 10 kΩ to VDD, NIRQ load = 10 pF, and over the operating free-air temperature range of – 40°C to 125°C, unless otherwise noted. Typical values are at T<sub>J</sub> = 25°C, typical conditions at VDD = 3.3 V.

PARAMETER		TEST CONDITIONS	MIN	TYP	MAX	UNIT
SDA,SCL	High Threshold	DEV_CONFIG.SOC_IF=0	2.31			V

- (1) Hysteresis is with respect of the tripoint (V<sub>IT-(UV)</sub>, V<sub>IT+(OV)</sub>).
- (2) V<sub>POR</sub> is the minimum V<sub>D<sub>DX</sub></sub> voltage level for a controlled output state.

## 6.6 Timing Requirements

At 2.6 V ≤ VDD ≤ 5.5 V, NIRQ Voltage = 10 kΩ to VDD, NIRQ load = 10 pF, and over the operating free-air temperature range of – 40°C to 125°C, unless otherwise noted. Typical values are at T<sub>J</sub> = 25°C, typical conditions at VDD = 3.3 V.

			MIN	NOM	MAX	UNIT
<b>COMMON PARAMETERS</b>						
t <sub>BIST</sub>	POR to ready with BIST, TEST_CFG.AT_POR=1	includes OTP load			12	ms
t <sub>NBIST</sub>	POR to ready without BIST, TEST_CFG.AT_POR=0	includes OTP load			2	ms
BIST	BIST time,TEST_CFG.AT_POR=1 or TEST_CFG.AT_SHDN=1				10	ms
t <sub>I2C_ACT</sub>	I2C active from BIST complete				0	μs
t <sub>NRST</sub>	Fault detection to NRST assertion latency				25	μs
t <sub>WDO</sub>	Fault detection to WDO assertion latency				25	μs
t <sub>NIRQ</sub>	Fault detection to NIRQ assertion latency (except OV/UV faults)				25	μs
t <sub>PD_NIRQ_1X</sub>	HF fault Propagation detect delay (default deglitch filter) includes digital delay	VIT_OV/UV +/- 100mV			650	ns
t <sub>PD_NIRQ_4X</sub>	HF fault Propagation detect delay (default deglitch filter) includes digital delay	VIT_OV/UV +/- 400mV			750	ns
t <sub>D</sub>	RESET time delay	I2C Register time delay =000		200		μs
		I2C Register time delay =001		1		ms
		I2C Register time delay =010		10		ms
		I2C Register time delay =011		16		ms
		I2C Register time delay =100		20		ms
		I2C Register time delay =101		70		ms
		I2C Register time delay =110		100		ms
		I2C Register time delay =111		200		ms

## 6.6 Timing Requirements (continued)

At 2.6 V  $\leq$  VDD  $\leq$  5.5 V, NIRQ Voltage = 10 k $\Omega$  to VDD, NIRQ load = 10 pF, and over the operating free-air temperature range of – 40°C to 125°C, unless otherwise noted. Typical values are at T<sub>J</sub> = 25°C, typical conditions at VDD = 3.3 V.

			MIN	NOM	MAX	UNIT
t <sub>D_WD</sub>	WDO delay	I2C Register time delay =000		1		ms
		I2C Register time delay =001		2		ms
		I2C Register time delay =010		5		ms
		I2C Register time delay =011		10		ms
		I2C Register time delay =100		20		ms
		I2C Register time delay =101		50		ms
		I2C Register time delay =110		100		ms
		I2C Register time delay =111		200		ms
t <sub>debounce_ESM</sub>	Debounce time	I2C Register time delay =00		10		$\mu$ s
		I2C Register time delay =01		25		
		I2C Register time delay =10		50		
		I2C Register time delay =11		100		
t <sub>GI_R</sub>	UV & OV debounce range via I2C	FLT_HF(N)	0.1		102.4	$\mu$ s

## 6.6 Timing Requirements (continued)

At 2.6 V ≤ VDD ≤ 5.5 V, NIRQ Voltage = 10 kΩ to VDD, NIRQ load = 10 pF, and over the operating free-air temperature range of – 40°C to 125°C, unless otherwise noted. Typical values are at T<sub>J</sub> = 25°C, typical conditions at VDD = 3.3 V.

			MIN	NOM	MAX	UNIT
<b>I2C TIMING CHARACTERISTICS</b>						
f <sub>SCL</sub>	Serial clock frequency	Standard mode			100	kHz
f <sub>SCL</sub>	Serial clock frequency	Fast mode			400	kHz
f <sub>SCL</sub>	Serial clock frequency	Fast mode +			1	MHz
t <sub>LOW</sub>	SCL low time	Standard mode	4.7			µs
t <sub>LOW</sub>	SCL low time	Fast mode	1.3			µs
t <sub>LOW</sub>	SCL low time	Fast mode +	0.5			µs
t <sub>HIGH</sub>	SCL high time	Standard mode	4			µs
t <sub>HIGH</sub>	SCL high time	Fast mode +	0.26			µs
t <sub>SU,DAT</sub>	Data setup time	Standard mode	250			ns
t <sub>SU,DAT</sub>	Data setup time	Fast mode	100			ns
t <sub>SU,DAT</sub>	Data setup time	Fast mode +	50			ns
t <sub>HD,DAT</sub>	Data hold time	Standard mode	10			ns
t <sub>HD,DAT</sub>	Data hold time	Fast mode	10			ns
t <sub>HD,DAT</sub>	Data hold time	Fast mode +	10			ns
t <sub>SU,STA</sub>	Setup time for a Start or Repeated Start condition	Standard mode	4.7			µs
t <sub>SU,STA</sub>	Setup time for a Start or Repeated Start condition	Fast mode	0.6			µs
t <sub>SU,STA</sub>	Setup time for a Start or Repeated Start condition	Fast mode +	0.26			µs
t <sub>HD,STA</sub>	Hold time for a Start or Repeated Start condition	Standard mode	4			µs
t <sub>HD,STA</sub>	Hold time for a Start or Repeated Start condition	Fast mode	0.6			µs
t <sub>HD,STA</sub>	Hold time for a Start or Repeated Start condition	Fast mode +	0.26			µs
t <sub>BUF</sub>	Bus free time between a STOP and START condition	Standard mode	4.7			µs
t <sub>BUF</sub>	Bus free time between a STOP and START condition	Fast mode	1.3			µs
t <sub>BUF</sub>	Bus free time between a STOP and START condition	Fast mode +	0.5			µs
t <sub>SU,STO</sub>	Setup time for a Stop condition	Standard mode	4			µs
t <sub>SU,STO</sub>	Setup time for a Stop condition	Fast mode	0.6			µs
t <sub>SU,STO</sub>	Setup time for a Stop condition	Fast mode +	0.26			µs
trDA	Rise time of SDA signal	Standard mode			1000	
trDA	Rise time of SDA signal	Fast mode	20		300	ns
trDA	Rise time of SDA signal	Fast mode +			120	ns
tfDA	Fall time of SDA signal	Standard mode			300	ns
tfDA	Fall time of SDA signal	Fast mode	1.4		300	ns
tfDA	Fall time of SDA signal	Fast mode +	6.5		120	ns
trCL	Rise time of SCL signal	Standard mode			1000	ns
trCL	Rise time of SCL signal	Fast mode	20		300	ns
trCL	Rise time of SCL signal	Fast mode +			120	ns
tfCL	Fall time of SCL signal	Standard mode			300	ns
tfCL	Fall time of SCL signal	Fast mode	6.5		300	ns
tfCL	Fall time of SCL signal	Fast mode +	6.5		120	ns
tSP	Pulse width of SCL and SDA spikes that are suppressed	Standard mode, Fast mode and Fast mode +			50	ns

## 7 Detailed Description

### 7.1 Overview

The TPS389C03-Q1 family of devices has three channels that can be configured for over voltage, under voltage or both in a window configuration. The TPS389C03-Q1 features a highly accurate window threshold voltages (up to  $\pm 5\text{mV}$ ) and a variety voltage thresholds which can be factory configured or set on boot up by I2C commands.

The TPS389C03-Q1 includes the resistors used to set the overvoltage and undervoltage thresholds internal to the device. These internal resistors allow for lower component counts and greatly simplifies the design because no additional margins are needed to account for the accuracy of external resistors.

The TPS389C03-Q1 is designed to assert active low output signals (NIRQ and/or NRST) when the monitored voltage is outside the safe window. The default configuration has the interrupts enabled for over voltage and under voltage faults, sequence timeout set for 1ms, BIST enabled at POR, and over voltage and under voltage debounce set for 102.4 $\mu\text{s}$ .

### 7.2 Functional Block Diagram

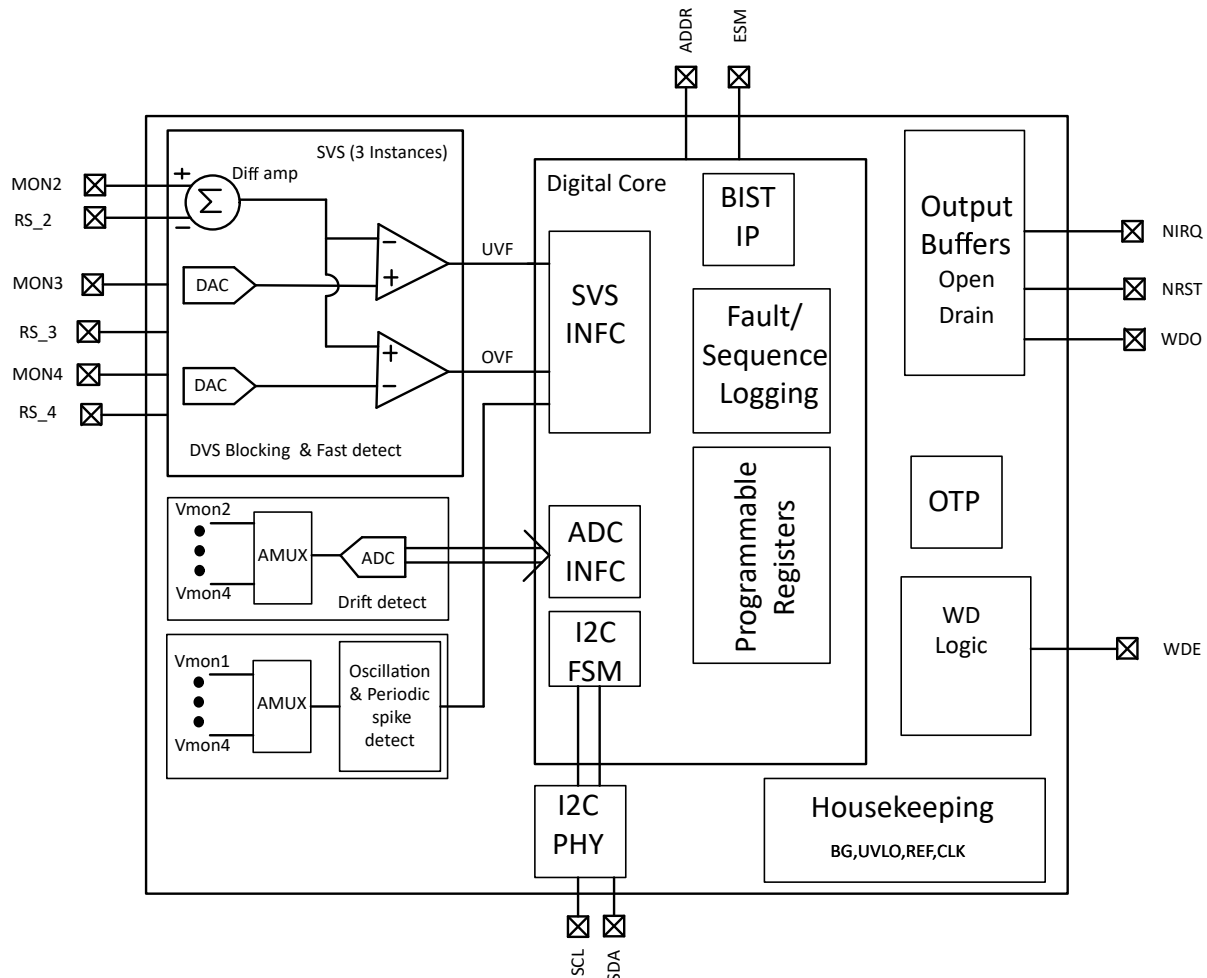


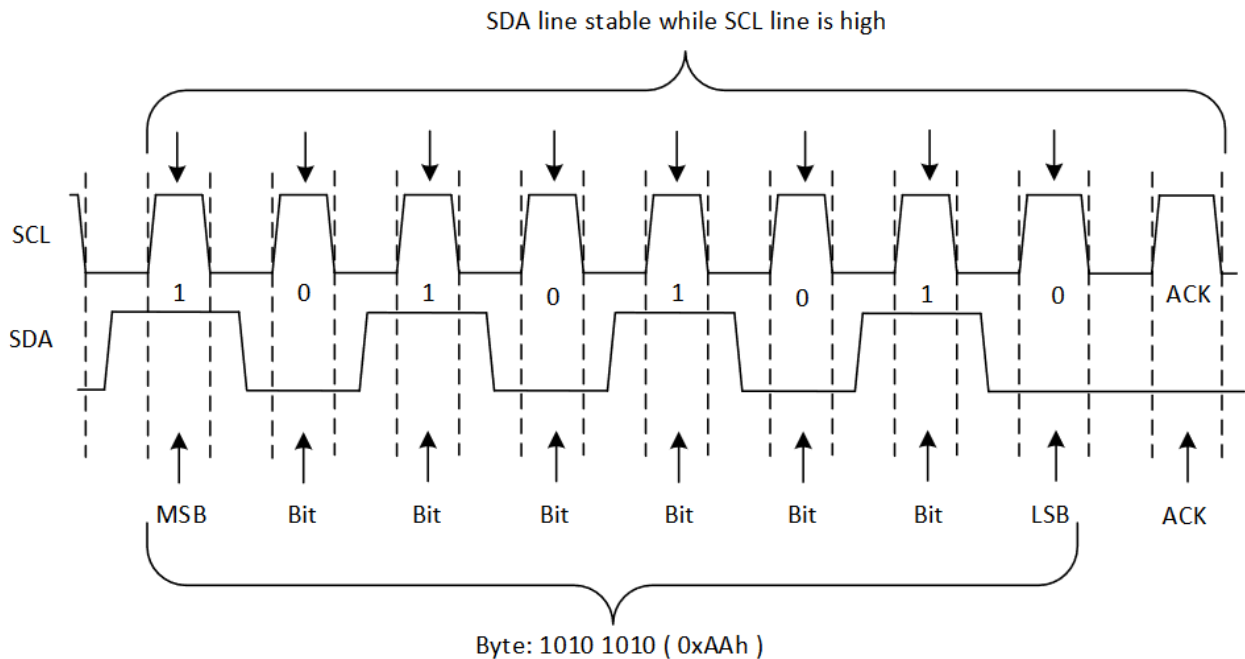
Figure 7-1. TPS389C03-Q1 Block Diagram

## 7.3 Feature Description

### 7.3.1 I<sup>2</sup>C

The TPS389C03-Q1 device follows the I<sup>2</sup>C protocol (up to 1MHz) to manage communication with host devices such as an MCU or System on Chip (SoC). I<sup>2</sup>C is a two wire communication protocol implemented using two signals, clock (SCL) and data (SDA). The host device is primary controller of communication. TPS389C03-Q1 device responds over the data line during read or write operation as defined by I<sup>2</sup>C protocol. Both SCL and SDA signals are open drain topology and can be used in a wired-OR configuration with other devices to share the communication bus. Both SCL and SDA pins need an external pull up resistance to supply voltage (10kΩ recommended).

Figure 7-2 shows the timing relationship between SCL and SDA lines to transfer 1 byte of data. SCL line is always controlled by host. To transfer 1 byte data, host needs to send 9 clocks on SCL. 8 clocks for data and 1 clock for ACK or NACK. SDA line will be controlled by either host or TPS389C03-Q1 device based on the read or write operation. Figure 7-3 and Figure 7-4 highlight the communication protocol flow and which device controls SDA line at various instances during active communication.



**Figure 7-2. SCL to SDA timing for 1 byte data transfer**

- Master Controls SDA Line
- Slave Controls SDA Line

Write to One Register in a Device

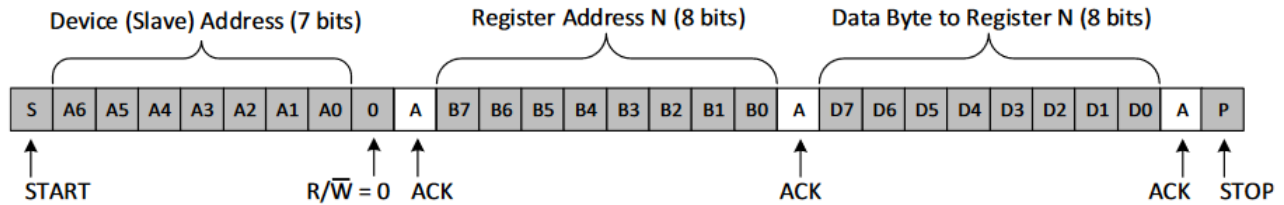


Figure 7-3. I<sup>2</sup>C write protocol

- Master Controls SDA Line
- Slave Controls SDA Line

Read From One Register in a Device

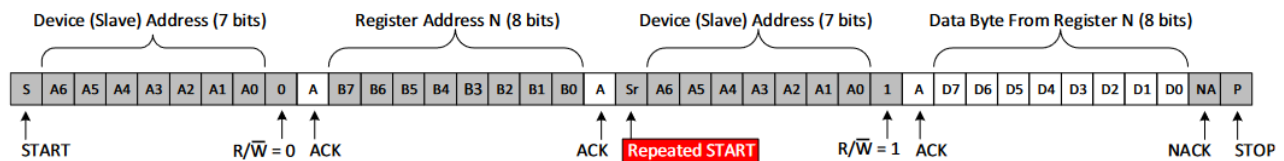
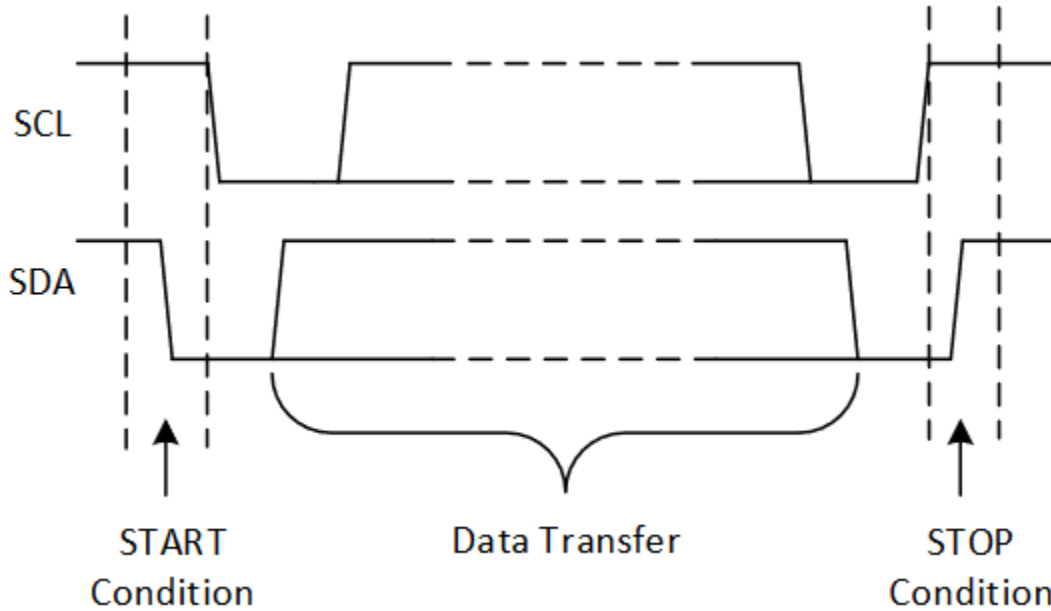


Figure 7-4. I<sup>2</sup>C read protocol

Before initiating communication over I<sup>2</sup>C protocol, host needs to confirm the I<sup>2</sup>C bus is available for communication. Monitor the SCL and SDA lines, if any line is pulled low, the I<sup>2</sup>C bus is occupied. Host needs to wait until the bus is available for communication. Once the bus is available for communication, the host can initiate read or write operation by issuing a START condition. Once the I<sup>2</sup>C communication is complete, release the bus by issuing STOP command. Figure 7-5 shows how to implement START and STOP condition.



**Figure 7-5. I<sup>2</sup>C START and STOP condition**

The SDA line may get stuck in logic low level if required number of clocks are not provided by the host. In this scenario, host should provide multiple clocks on SCL line until the SDA line goes high. After this event, host should issue I<sup>2</sup>C stop command. This will release the I<sup>2</sup>C bus and other devices can use the I<sup>2</sup>C bus.

Table 7-1 shows the different functionality available when programming with I<sup>2</sup>C.

**Table 7-1. User Programmable I<sup>2</sup>C Functions**

FUNCTIONS	DESCRIPTION
Thresholds for OV/UV- HF	Adjustable in 5mV steps from 0.2V to 1.475V and 20mV steps from 0.8V to 5.5V
Thresholds for OV/UV - LF	Adjustable in 5mV steps from 0.2V to 1.475V and 20mV steps from 0.8V to 5.5V
Voltage Monitoring scaling	1 or 4
Glitch immunity for OV/UV- HF	0.1 us to 102.4 us
Low Frequency Cutoff filter	250Hz to 4kHz
Enable sequence timeout	1ms to 4s
Packet error checking for I <sup>2</sup> C	Enabling or Disabling
Force NIRQ/NRST/WDO assertion	Controlled by I <sup>2</sup> C register
Individual channel MON	Enable or Disable
Interrupt disable functions	BIST, PEC, TSD, CRC
ESM Threshold	1ms to 864ms
ESM Debounce	10us to 100us
Reset Delay	200us to 200ms
MAX Violation Count	0 to 7
Watchdog Startup Delay Multiplier	0 to 7
Watchdog Open and Close Window Times	1ms to 864ms
Watchdog Output Delay	200us to 200ms (only applicable for non-latched WDO)
OV/UV/ESM/WDT	Mappable individually to NIRQ, NRST, and WDO

### 7.3.2 Maskable Interrupt (AMSK)

In the case of power up, AMSK\_ON register applies. AMSK\_ON masks interrupts until the MON voltage crosses the UVLF threshold or sequence timeout expires whichever is sooner. In the case of power down AMSK\_OFF register applies. AMSK\_ON masks interrupts until the MON voltage is below the OFF threshold and then the OVLF interrupts are active.

Table 7-2 summarizes the auto-mask operation for power up and power down.

**Table 7-2. Auto-Mask Operation for the Power Up and Power Down**

TRANSITION	AUTO-MASK APPLIED	AUTO-MASK APPLIES TO	AUTO-MASK INACTIVE	INTERRUPTS ACTIVE FOR MON CHANNELS NOT IN AUTO-MASK
Power Up	AMSK_ON	IEN_UVLF, IEN_UVHF, IEN_OVHF	SEQ_TOUT expires or rail crosses UVLF	At Power Up
Power Down	AMSK_OFF		Auto-mask active in transition until SEQ_TOUT expires	Until SEQ_TOUT expires

### 7.3.3 VDD

The TPS389C03-Q1 is designed to operate from an input voltage supply range between 2.6V to 5.5V. An input supply capacitor is not required for this device; however, if the input supply is noisy good analog practice is to place a 1 $\mu$ F capacitor between the VDD pin and the GND pin.

V<sub>DD</sub> needs to be at or above V<sub>DD(MIN)</sub> for at least the start-up delay (t<sub>SD</sub>+ t<sub>D</sub>) for the device to be fully functional.

### 7.3.4 MON

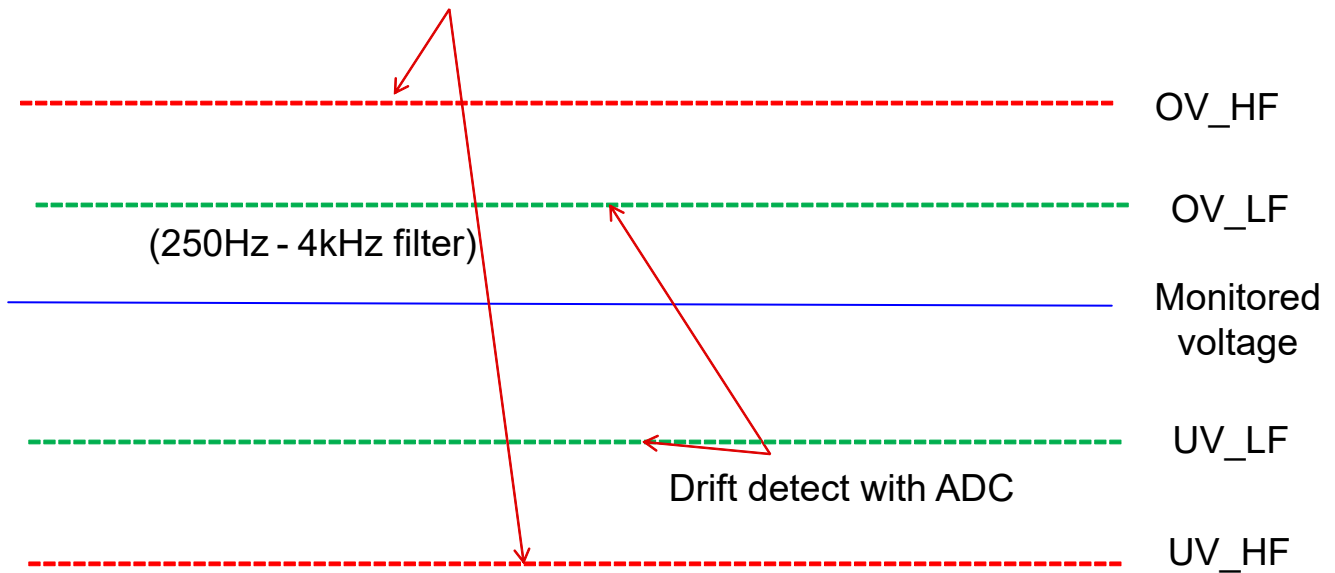
The TPS389C03-Q1 combines two comparators with a precision reference voltage and a trimmed resistor divider per monitor (MON) channel. This configuration optimizes device accuracy because all resistor tolerances are accounted for in the accuracy and performance specifications. Both comparators also include built-in hysteresis that provides noise immunity and provides stable operation.

Each MON channel can be configured for Low Frequency (LF) and High Frequency (HF) fault detection. HF fault detection uses a comparator for UV and OV measurements referenced to the threshold voltage. A debounce filter for glitch immunity can be configured for HF faults using the FLT\_HF registers in BANK1 associated with each MON channel.

LF fault detection measures the voltage through an ADC that can be used to monitor voltage drift. The LF detection thresholds can be configured for various purposes. For example, the OVLF threshold can be set lower than the OVHF threshold for drift monitoring. Alternatively, the OVLF threshold can be set to overlap with the OVHF threshold for redundancy. LF and HF faults are configured using the UV\_HF, OV\_HF, UV\_LF, and OV\_LF registers in BANK1. Each MON channel has unique UV\_HF, OV\_HF, UV\_LF, and OV\_LF registers. The diagram shown in Figure 7-6 illustrates an example of how the LF and HF faults can be configured.



Ultra fast detection with comparators with deglitch filters (0.1us to 102.4us)



**Figure 7-6. MON Channel State Diagram**

Although not required in most cases, for noisy applications good analog design practice is to place a 1nF to 10nF bypass capacitor at the MON input to reduce sensitivity to transient voltages on the monitored signal. Specific debounce times or deglitch times can also be set independently for each MON via I<sup>2</sup>C registers

When monitoring VDD supply voltage, the MON pin can be connected directly to VDD. The outputs NIRQ and NRST are high impedance when voltage at the MON pin is between upper and lower boundary of threshold.

The MON channel settings can be adjusted by using the associated registers listed in the register maps found in [Section 8](#). Using the register maps, the code example in [Figure 7-7](#) demonstrates how MON2 can be reconfigured.

```

ADDR 30
//          Go to Bank 1
WR F0 01
//          Check UVHF,OVHF thresholds for MON2 and MON3
RD 30 //MON2 UVHF
RD 31 //MON2 OVHF
RD 40 //MON3 UVHF
RD 41 //MON3 OVHF
//          Check UVLF,OVLf thresholds for MON2 and MON3
RD 32 //MON2 UVHF
RD 33 //MON2 OVHF
RD 42 //MON3 UVHF
RD 43 //MON3 OVHF
//          Example change OVHF threshold MON2 to 5.5V
WR 31 EB
//          Example change OVHF threshold MON2 to 5.48V
WR 31 EA
//          Example change OVHF threshold MON2 to 5.44V
WR 31 E8
//          Telemetry read the voltages being monitored
//          Go to Bank 0
WR F0 00
RD 41 // MON2 Voltage
RD 42 // MON3 Voltage
//          Simulate an OV fault on MON2
//          Go to Bank 1
WR F0 01
WR 31 C8 // Change OVHF threshold to 4.8V
//          NIRQ,NRST asserts (depends on mapping)
//          Clearing OVHF fault MON2
//          Go to Bank 0
WR F0 00
RD 16 // 02 READ SINCE OVHF on MON2
WR 16 02 // WRITE 1(bit 2) to clear

```

**Figure 7-7. MON2 Setting Software Example**

### 7.3.5 NRST

The NRST pin features a programmable reset delay time that can be adjusted from 0.2ms to 200ms when using TI\_CONTROL register. NRST is an open-drain output that should be pulled up through a 1kΩ to 100kΩ pullup resistor. When the device is powered up and POR is complete, NRST is asserted low until the BIST is complete. After the BIST, NRST remains high (not asserted) until it is triggered by a mappable fault condition. An NRST\_MISMATCH fault will be asserted if the NRST pin is pulled to an unexpected state. For example, if the NRST pin is in a high-impedance state (logic high) and is externally pulled low, then an NRST\_MISMATCH fault will assert. During an NRST toggle NRST mismatch will be active after 2μs, NRST must exceed 0.6\*VDD to be considered in a logic high state.

NRST is mappable to the watchdog fault, and the ESM fault when using the IEN\_VENDOR register. If NRST is mapped to the ESM fault, the NRST pin will be asserted following the ESM delay and will be de-asserted after the reset delay ( $t_D$ ). If NRST is mapped to the watchdog fault, the NRST pin will be asserted during a watchdog fault and de-assert following the reset delay ( $t_D$ ).

NRST is also mappable to the OVHF and UVHF faults using the FC\_LF[n] registers. If a monitored voltage falls or rises outside of the programmed OVHF and UVHF thresholds, then NRST is asserted, driving the NRST pin

low. When the monitored voltage comes back into the valid window, a reset delay circuit is enabled that holds NRST low for a specified reset delay period ( $t_D$ ). Note if NRST is un-mapped from OVHF and UVHF faults while NRST is asserted then NRST will deassert, NRST will reassert when re-mapped assuming the voltage is still outside the valid window

The  $t_D$  period is determined by the RST\_DLY[2:0] value found in the TI\_CONTROL register. When the reset delay has elapsed, the NRST pin goes to a high-impedance state and uses a pullup resistor to hold NRST high. The pullup resistor must be connected to the proper voltage rail to allow other devices to be connected at the correct interface voltage. To ensure proper voltage levels, give some consideration when choosing the pullup resistor values. The pullup resistor value is determined by output logic low voltage (VOL), capacitive loading, and leakage current.

### 7.3.6 NIRQ

NIRQ is a interrupt error output with latched behavior, if a monitored voltage falls or rises outside of the programmed OVHF and UVHF thresholds NIRQ is asserted. NIRQ will remain in its low state until the action causing the fault is no longer present and a 1-to-clear is written to the bit signaling the fault. Un-mapping NIRQ from a fault reporting register will not de-assert the NIRQ signal. NIRQ is In a typical TPS389C03-Q1 application, the NIRQ output is connected to a reset or enable input of a processor [such as a digital signal processor (DSP) or application-specific integrated circuit (ASIC), or other processor type].

The TPS389C03-Q1 has an open drain active low output that requires a pull-up resistor to hold these lines high to the required voltage logic. Connect the pull-up resistor to the proper voltage rail to enable the output to be connected to other devices at the correct interface voltage levels. To ensure proper voltage levels, give some consideration when choosing the pull-up resistor values. The pull-up resistor value is determined by  $V_{OL}$ , output capacitive loading, and output leakage current. These values are specified in Section 6. The open drain output can be connected as a wired-OR logic with other open drain signals such as another TPS389C03-Q1 NIRQ pin.

### 7.3.7 ADC

The ADC used in the TPS389C03Q-1 runs on a 1MHz clock with an effective sampling rate of 1/8MHz (= 125kHz). Initially, the ADC records with a resolution of 12 bits (1LSB = 0.41667mV) which is later round off to 8-bit data for I<sup>2</sup>C transaction. (1LSB = 5mV) The ADC uses ping-pong architecture in which it requires 2us for both sampling and conversion per channel with a total of 2 sampling channels. While CH0 performs coarse conversion, CH1 does fine conversion and vice verse.

Digitized 8-bit data is updated once the fine conversion is completed, which occurs once every 8μs. Each I<sup>2</sup>C transaction initiated for reading 8-bit MON\_LVL data (the ADC data of a particular channel), 8-bit data is paused from updating until the I<sup>2</sup>C transaction completes.

Voltage scaling is done using a resistor ladder, but for differential mode channels, a chopping circuit is used to get the average of both of the voltages  $(V_{MON} + V_{MON\_RS})/2$  since  $V_{MON\_RS}$  can be negative and can't be converted into an ADC code.  $V_{MON} - V_{MON\_RS}$  is calculated digitally by subtracting  $((V_{MON} + V_{MON\_RS})/2)$  from  $V_{MON}$  and then multiplying by 2.

The MONX channels can be configured in 1x (0.2V to 1.475V) or 4x mode (0.8V to 5.5V). For differential mode channels configured in 1x mode, (MON1 and MON2) the ADC range is limited up to 1.7V. To configure an ADC channel above 1.7V, please use 4x mode.

Real time voltage measurements use.

$$V_{Ml} = ((ADC[7:0] * 5mV) + 0.2) * (VRANGE\_MULT) \quad (1)$$

1. ADC[7:0] is translated to a corresponding decimal value. The value of ADC[7:0] corresponding to MON2-MON4 can be read from BANK0, registers 0x41 to 0x43 found in Section 8.1.1.
2. VRANGE\_MULT corresponds to the selected monitor voltage multiplier set in BANK1, register 0x1F of Section 8.1.2.
3. VRANGE\_MULT is set to a decimal 1 or 4 value depending on monitored value.

### 7.3.8 Packet Error Checking (PEC)

TPS389C03-Q1 supports Packet Error Checking (PEC) as a way to implement Cyclic Redundancy Checking (CRC). PEC is a dynamic CRC that happens only during read or write transactions if enabled. With the initial value of CRC set to 0x00, the PEC uses a CRC-8 represented by the polynomial:

$$C(x) = x^8 + x^2 + x + 1 \tag{2}$$

The polynomial is meant to catch any bit flips or noise in I2C communication which cause data and PEC byte to have a mismatch. The PEC calculation includes all bytes in the transmission, including address, command and data. The PEC calculation does not include ACK or NACK bits or START, STOP or REPEATED START conditions. If PEC is enabled, and the TPS389C03-Q1 is transmitting data, then the TPS389C03-Q1 is responsible for sending the PEC byte. If PEC is enabled, and the TPS389C03-Q1 is receiving data from the MCU, then the MCU is responsible for sending the PEC byte. In case of faster communications needs like servicing the watchdog the required PEC feature can be effectively used to handle missing PEC information and to avoid triggering faults. [Figure 7-8](#) and [Figure 7-9](#) highlight the communication protocol flow when PEC is required and which device controls SDA line at various instances during active communication.

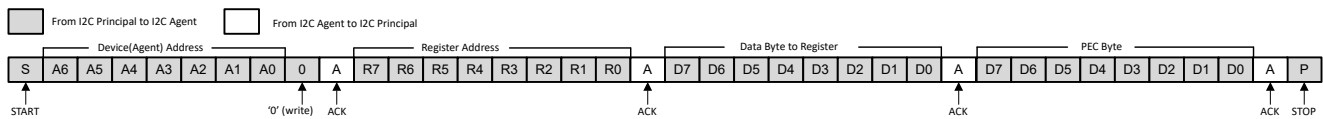


Figure 7-8. Single Byte Write with PEC

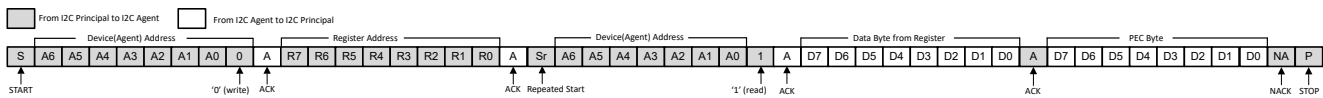


Figure 7-9. Single Byte Read with PEC

[Table 7-3](#) summarises the registers associated with a PEC Write command and resulting device behavior. [Table 7-4](#) summarises the registers associated with a PEC Read command and resulting device behavior.

**Table 7-3. PEC Write Summary**

EN_PEC	REQ_PEC	PEC_INT	Interrupt Status
0	x	x	PEC byte is not required in write operation, NO NIRQ assertion.
1	0	x	A write command missing a PEC byte is treated as OK, the write command will execute and result in a I2C ACT. A write command with an incorrect PEC is treated as an error, the write command will not execute and result in a I2C NACK. NO NIRQ assertion.
1	1	0	A missing PEC is treated as an error, a write command will only execute if the correct PEC byte is provided. I2C communication will still respond with an ACT although write command did not execute. A write command with an incorrect PEC is treated as an error, the write command will not execute and result in a I2C NACK. NO NIRQ assertion.
1	1	1	A missing PEC is treated as an error, a write command will only execute if the correct PEC byte is provided. I2C communication will still respond with an ACT although write command did not execute. A write command with an incorrect PEC is treated as an error, the write command will not execute and result in a I2C NACK. NIRQ is asserted when a write command with a incorrect or missing PEC byte is attempted.

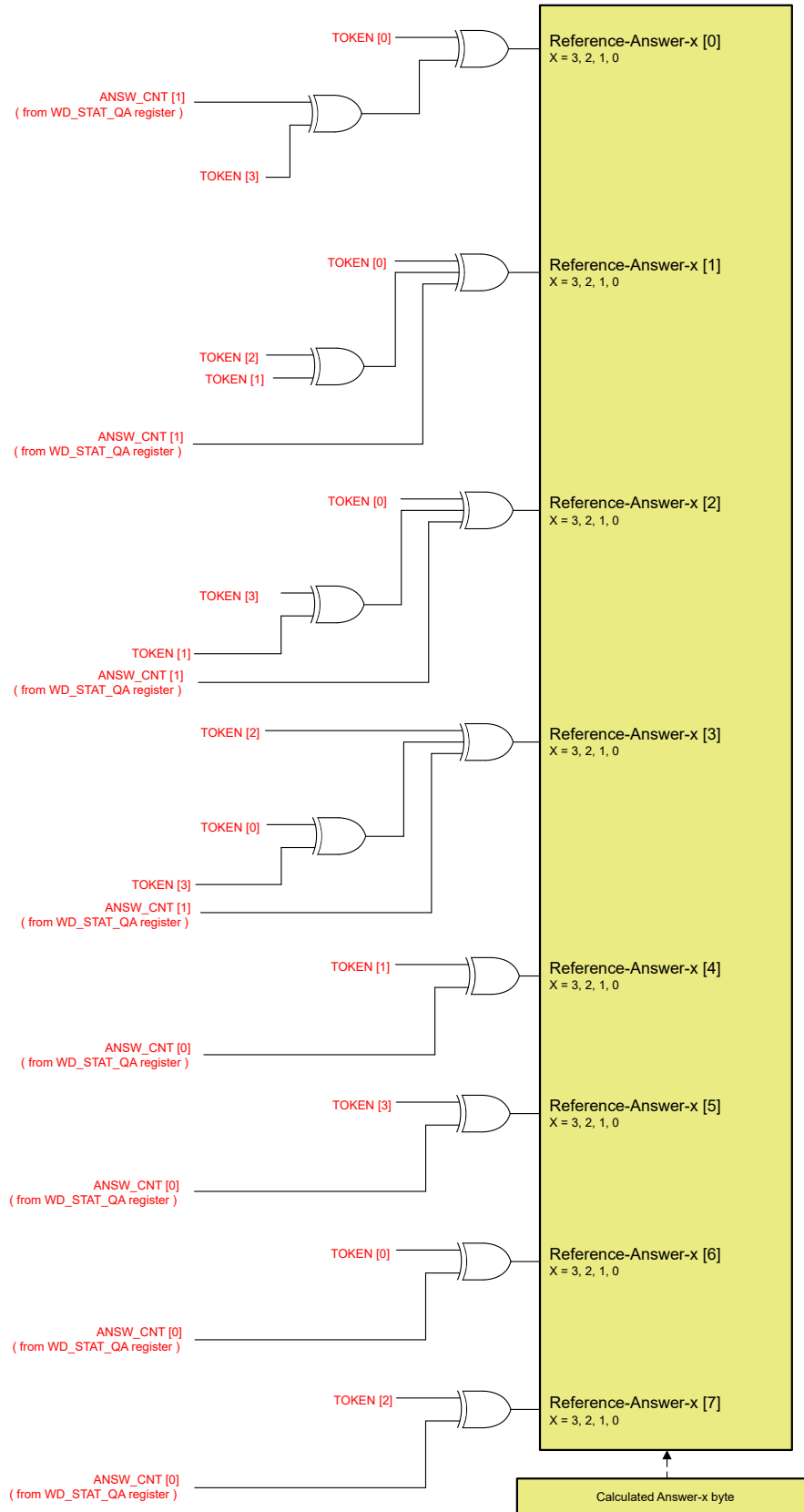
**Table 7-4. PEC Read Summary**

EN_PEC	REQ_PEC	PEC_INT	Interrupt Status
0	x	x	I2C read operation will repond with data stored in register, I2C read command will not respond with registers corresponding PEC byte.
1	x	x	I2C read operation will repond with data stored in register and corresponding PEC byte.

### 7.3.9 Q&A Watchdog

The Question and Answer Watchdog requires specific data to be sent from the MCU to the TPS389C03-Q1 within a specific time interval.

The TPS389C03-Q1 generates questions for the MCU to read during the OPEN and CLOSE windows. Questions are read as the combination of ANSW\_CNT[1:0] and TOKEN[3:0] status bits found in the WD\_STAT\_QA register in BANK0. After reading a question, the MCU calculates the Reference Answer using the logic equations shown in [Figure 7-10](#) and responds by writing the 8-bit answer into the WDT\_ANSWER register in BANK1. A code example for Reference Answer calculation is shown in [Figure 7-13](#). For a typical application, changing the value of FDBK[1:0], found in the WDT\_QA\_CFG register in BANK1, from the default value of FDBK[1:0] = 00b is not required. However, FDBK[1:0] can be changed if a different Reference Answer calculation is needed. Question generation and answer calculations are explained in more detail in [Section 7.3.9.1](#).



**Figure 7-10. Watchdog Answer Calculation for FDBK[1:0] = 00b**

During one “event,” the TPS389C03-Q1 generates three questions within the CLOSE window and one question within the OPEN window. The MCU must correctly read and answer all three questions within the specified CLOSE window and the question within the specified OPEN window for a “good event” to occur. At the start of an event,  $ANSW\_CNT[1:0] = 11b$ . A correctly answered question decrements  $ANSW\_CNT[1:0]$  to generate the next question. Once a good event occurs,  $ANSW\_CNT[1:0]$  is reset to  $ANSW\_CNT[1:0] = 11b$ , and the value of  $TOKEN[3:0]$  changes to generate a new set of questions for the next event.

An incorrectly answered question increments the violation count, resets the  $ANSW\_CNT[1:0]$  to  $ANSW\_CNT[1:0] = 11b$ , and restarts the CLOSE window. The maximum violation count,  $MAX\_VIOLATION\_COUNT[2:0]$ , is programmed using the  $WDT\_CFG$  register in BANK1. When the violation count reaches its maximum value, the TPS389C03-Q1 WDO (latched) low, and may assert NIRQ and NRST low depending on the fault mapping. Note if NIRQ is un-mapped from watchdog fault reporting while NIRQ is asserted then NIRQ will deassert, NIRQ will reassert when re-mapped assuming the fault has not been cleared. A good event decrements the violation count if the violation count is not already equal to zero. When the watchdog enters the Idle state, the violation count is reset. When the the watchdog enters the suspend state, the violation count remains unchanged. The watchdog state diagram is illustrated in [Figure 7-22](#).

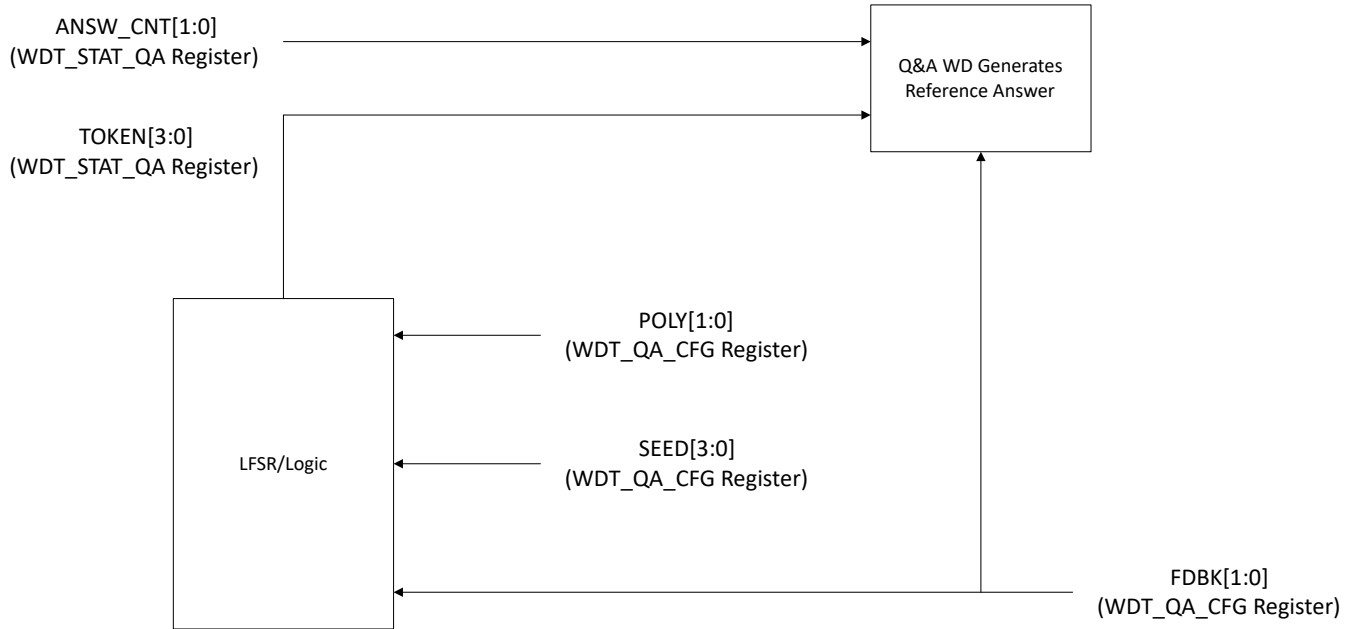
Within an event, the CLOSE window time is a fixed value, and does not change if all three questions are answered faster than the set time. For example, if the CLOSE window time is set to 10ms, and the three questions are correctly answered in 5 ms, then the TPS389C03-Q1 will wait the remaining 5 ms before transitioning to the OPEN window. During the OPEN window, if the question is answered faster than the selected OPEN window time, then the TPS389C03-Q1 automatically transitions on to the next event's CLOSE window. An incorrectly answered question within either the CLOSE or OPEN windows results in the TPS389C03-Q1 restarting the CLOSE window.

#### 7.3.9.1 Question and Token Generation

A question is presented to the MCU as a combination of the  $TOKEN[3:0]$  and the  $ANSW\_CNT[1:0]$  status bits found in the  $WD\_STAT\_WA$  register.  $ANSW\_CNT[1:0]$  has a default value of  $ANSW\_CNT[1:0] = 11b$  and is decremented when a question is answered correctly. The value of  $ANSW\_CNT[1:0]$  is reset to  $ANSW\_CNT[1:0] = 11b$  when a question is answered incorrectly or a good event is completed.

The watchdog uses the Token Counter ( $TOKEN\_CNT[3:0]$  bits [Figure 7-12](#)) and a Linear Feedback Shift Register (LFSR) to generate the 4-bit  $TOKEN[3:0]$ . The LFSR architecture can be configured using  $POLY[1:0]$  in the  $WDT\_QA\_CFG$  register in BANK1 as shown in [Figure 7-12](#). In a typical application, it is not necessary to change the value of  $POLY[1:0]$  from the default 00b. However,  $POLY[1:0]$  can be configured if a different LFSR architecture is required. The diagram illustrated in [Figure 7-11](#) represents how questions are generated by the watchdog.

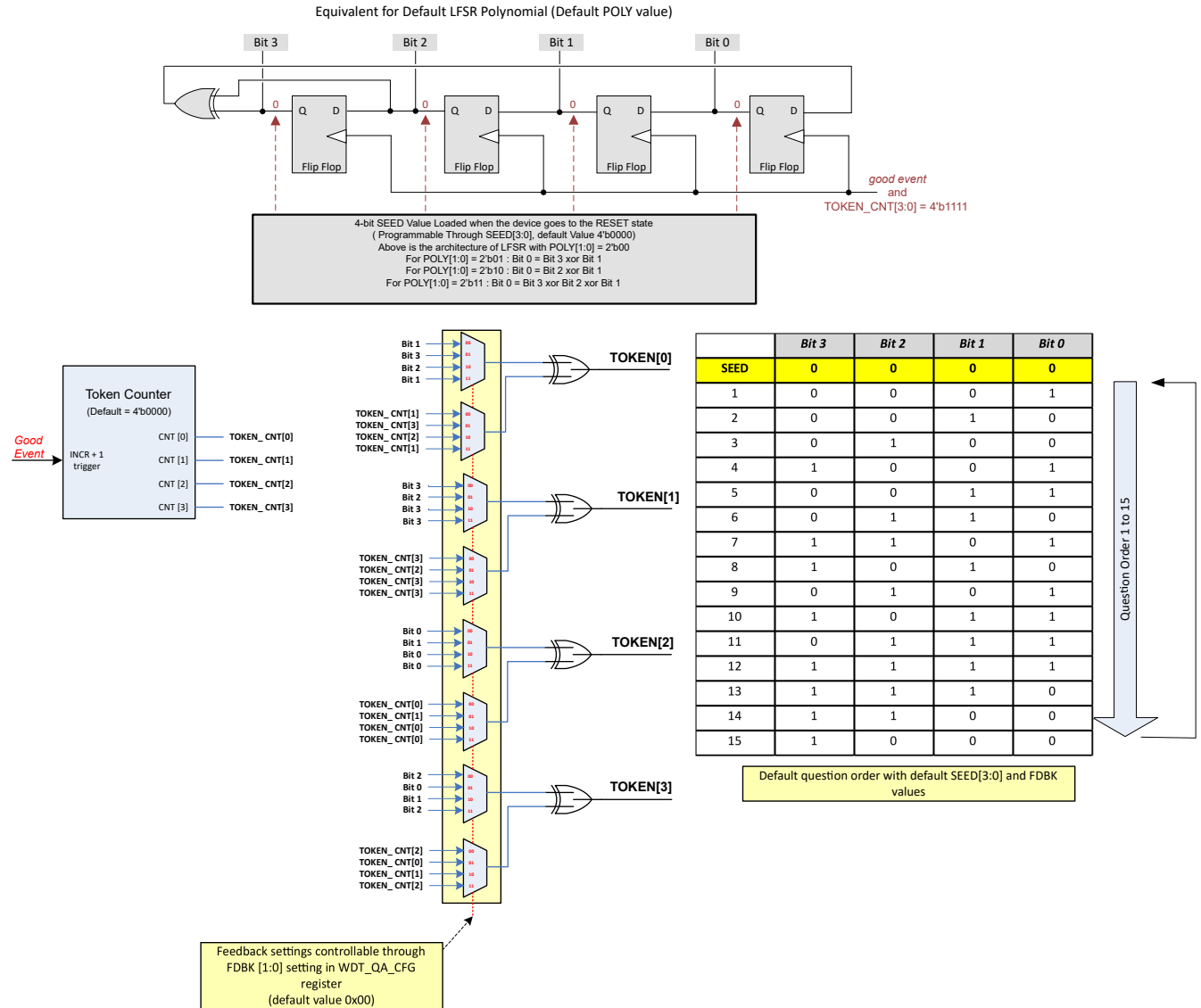
During the watchdog startup state, the LFSR is set with the initial value  $SEED[3:0]$ , which is located in the  $WDT\_QA\_CFG$  register in BANK1.  $SEED[3:0]$  has a default value of 0000b.



**Figure 7-11. Watchdog Question Generation**

At the end of a good event, the Token Counter is incremented, and the value of TOKEN[3:0] will change as a result of the mux and logic combinations shown in [Figure 7-12](#).





A. A value of 0000b is a special seed and equates to 0001b, including the default loading of 0000b during power up.

**Figure 7-12. Watchdog Question and Token Generation**

Once the Token Counter has reached the maximum value of 1111b, the counter will reset and provide a clock pulse to the LFSR. The clock pulse will left shift the value stored in the LFSR, which changes the value of the TOKEN[3:0]. During the special case of SEED[3:0] = 0000b, Bit 0 of the LFSR will be incremented the first time the Token Counter resets. Subsequent Token Counter resets will provide the typical clock pulse that left-shifts the LFSR. While left shifting, the value of seed will cycle through values 1 to 15 as listed in Figure 7-12.

The mux devices that generate TOKEN[3:0] are configured using FDBK[1:0] (WDT\_QA\_CFG register in BANK1). It is not necessary to change the value of FDBK[1:0] from the default value of 00b, and it is important to note that changing FDBK[1:0] also changes the logic equations required to calculate the reference answer. The different reference answer logic equations are listed below:

For FDBK[1:0] = 00b :

- Reference-Answer[0] = TOKEN[0] XOR (TOKEN[3] XOR ANSW\_CNT[1])
- Reference-Answer[1] = TOKEN[0] XOR (TOKEN[1] XOR TOKEN[2]) XOR ANSW\_CNT[1]
- Reference-Answer[2] = TOKEN[0] XOR (TOKEN[3] XOR TOKEN[1]) XOR ANSW\_CNT[1]
- Reference-Answer[3] = TOKEN[2] XOR (TOKEN[0] XOR TOKEN[3]) XOR ANSW\_CNT[1]

- Reference-Answer[4] = TOKEN[1] XOR ANSW\_CNT[0]
- Reference-Answer[5] = TOKEN[3] XOR ANSW\_CNT[0]
- Reference-Answer[6] = TOKEN[0] XOR ANSW\_CNT[0]
- Reference-Answer[7] = TOKEN[2] XOR ANSW\_CNT[0]

For FDBK[1:0] = 01b :

- Reference-Answer[0] = TOKEN[1] XOR (TOKEN[2] XOR ANSW\_CNT[1])
- Reference-Answer[1] = TOKEN[1] XOR (TOKEN[1] XOR TOKEN[1]) XOR ANSW\_CNT[1]
- Reference-Answer[2] = TOKEN[3] XOR (TOKEN[2] XOR TOKEN[1]) XOR ANSW\_CNT[1]
- Reference-Answer[3] = TOKEN[1] XOR (TOKEN[3] XOR TOKEN[3]) XOR ANSW\_CNT[1]
- Reference-Answer[4] = TOKEN[0] XOR ANSW\_CNT[0]
- Reference-Answer[5] = TOKEN[2] XOR ANSW\_CNT[0]
- Reference-Answer[6] = TOKEN[3] XOR ANSW\_CNT[0]
- Reference-Answer[7] = TOKEN[1] XOR ANSW\_CNT[0]

For FDBK[1:0] = 10b :

- Reference-Answer[0] = TOKEN[2] XOR (TOKEN[1] XOR ANSW\_CNT[1])
- Reference-Answer[1] = TOKEN[2] XOR (TOKEN[0] XOR TOKEN[1]) XOR ANSW\_CNT[1]
- Reference-Answer[2] = TOKEN[1] XOR (TOKEN[1] XOR TOKEN[1]) XOR ANSW\_CNT[1]
- Reference-Answer[3] = TOKEN[0] XOR (TOKEN[2] XOR TOKEN[3]) XOR ANSW\_CNT[1]
- Reference-Answer[4] = TOKEN[2] XOR ANSW\_CNT[0]
- Reference-Answer[5] = TOKEN[1] XOR ANSW\_CNT[0]
- Reference-Answer[6] = TOKEN[2] XOR ANSW\_CNT[0]
- Reference-Answer[7] = TOKEN[0] XOR ANSW\_CNT[0]

For FDBK[1:0] = 11b

- Reference-Answer[0] = TOKEN[3] XOR (TOKEN[0] XOR ANSW\_CNT[1])
- Reference-Answer[1] = TOKEN[3] XOR (TOKEN[3] XOR TOKEN[1]) XOR ANSW\_CNT[1]
- Reference-Answer[2] = TOKEN[1] XOR (TOKEN[0] XOR TOKEN[1]) XOR ANSW\_CNT[1]
- Reference-Answer[3] = TOKEN[3] XOR (TOKEN[1] XOR TOKEN[3]) XOR ANSW\_CNT[1]
- Reference-Answer[4] = TOKEN[3] XOR ANSW\_CNT[0]
- Reference-Answer[5] = TOKEN[0] XOR ANSW\_CNT[0]
- Reference-Answer[6] = TOKEN[1] XOR ANSW\_CNT[0]
- Reference-Answer[7] = TOKEN[3] XOR ANSW\_CNT[0]

Example code for answer calculation when FDBK[1:0] = 00b is included in [Figure 7-13](#).

Expression:

```

Locals.Answer[7] = Locals.WDT_status_Bin[2] ^ Locals.WDT_status_Bin[4],
Locals.Answer[6] = Locals.WDT_status_Bin[0] ^ Locals.WDT_status_Bin[4],
Locals.Answer[5] = Locals.WDT_status_Bin[3] ^ Locals.WDT_status_Bin[4],
Locals.Answer[4] = Locals.WDT_status_Bin[1] ^ Locals.WDT_status_Bin[4],
Locals.Answer[3] = Locals.WDT_status_Bin[2] ^ (Locals.WDT_status_Bin[0] ^ Locals.WDT_status_Bin[3]) ^ Locals.WDT_status_Bin[5],
Locals.Answer[2] = Locals.WDT_status_Bin[0] ^ (Locals.WDT_status_Bin[3] ^ Locals.WDT_status_Bin[1]) ^ Locals.WDT_status_Bin[5],
Locals.Answer[1] = Locals.WDT_status_Bin[0] ^ (Locals.WDT_status_Bin[2] ^ Locals.WDT_status_Bin[1]) ^ Locals.WDT_status_Bin[5],
Locals.Answer[0] = Locals.WDT_status_Bin[0] ^ (Locals.WDT_status_Bin[3] ^ Locals.WDT_status_Bin[5]),

Locals.Final_Answer = 128*Locals.Answer[7] + 64*Locals.Answer[6] + 32*Locals.Answer[5] + 16*Locals.Answer[4] + 8*Locals.Answer[3] + 4*Locals.Answer[2] + 2*Locals.Answer[1] + Locals.Answer[0],

Locals.Question[4*Locals.X + 0] = Locals.REG_READ[0],
Locals.Answer_val[4*Locals.X + 0] = Locals.Final_Answer
  
```

**Figure 7-13. Watchdog Answer Calculation Code for FDBK[1:0] = 00b**

### 7.3.9.2 Q&A Watchdog Open and Close Window Delay

TPS389C03-Q1 offers a Open and Close window delay accuracy of  $\pm 5\%$ , window delay can be adjusted through register 0xAC and 0xAB respectively. During a reset event, the Open and Close window delays do not change

from the programmed value (default OTP or user changes). [Table 7-5](#) lists delay time and associated register value.

**Table 7-5. Open and Close Window Delay**

Reg Value	Time	Notes
0-31	1-32ms	1ms steps
32-63	34-96 ms	2ms steps
64-255	100-864 ms	4ms steps

The startup delay is calculated using the WDT\_Startup\_DLY\_MULTIPLIER[2:0] (register 0xAA), Close window delay, and the Open window delay. It is important to note that changing either the Close window delay or the Open window delay changes the resulting startup delay. Use [Equation 3](#) to calculate total startup delay.

$$t_{\text{Startup}} = (\text{WDT\_Startup\_DLY\_MULTIPLIER}+1) * (\text{WDT\_OPEN} + \text{WDT\_CLOSE}) \quad (3)$$

### 7.3.9.3 Q&A Watchdog Status Register

Read status register 0x37 to determine watchdog state of operation. [Table 7-6](#) provides the operating state with its associated value. Bits ST\_WDUV and ST\_WDEXP of register 0x37 are cleared when read.

**Table 7-6. Q&A Watchdog Operating State**

OPERATING STATE	STATE DESCRIPTION	VALUE
IDLE	WD is waiting for a fault to be cleared or WDE is low. The violation count is reset.	0x00
OPEN	WD open window.	0x01
CLOSE	WD close window.	0x02
START UP	WD startup window.	0x03
SUSPEND	WDE is high and another fault has asserted output pins unrelated to the WD, or I <sup>2</sup> C MR bit is set to 1. Violation count remains unchanged.	0x04

### 7.3.9.4 Q&A Watchdog Timing

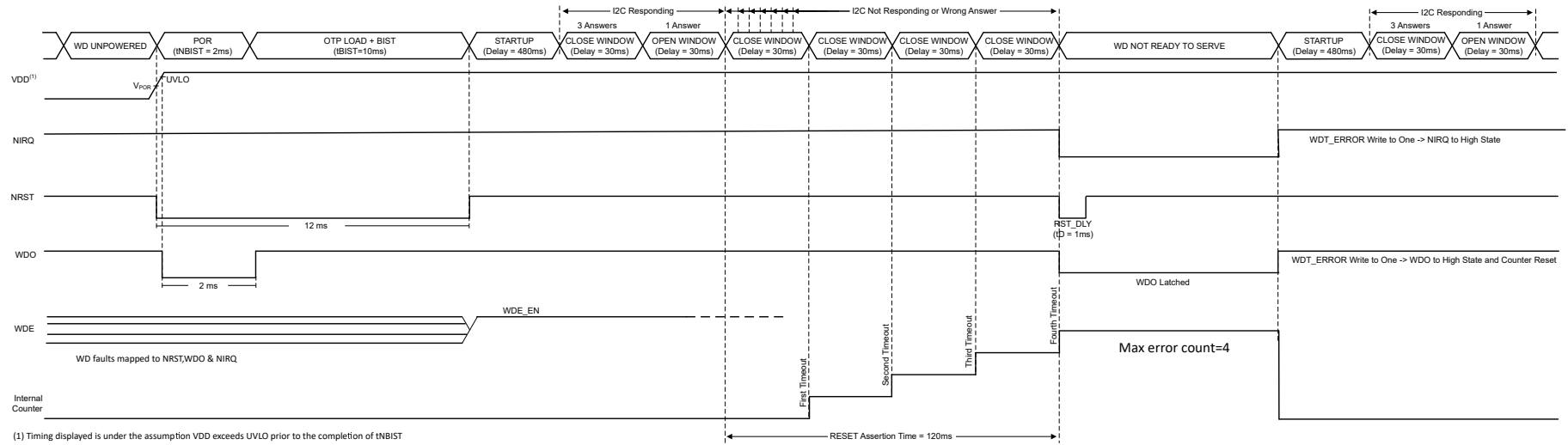


Figure 7-14. TPS389C03 CLOSE Window Error WDO Latched

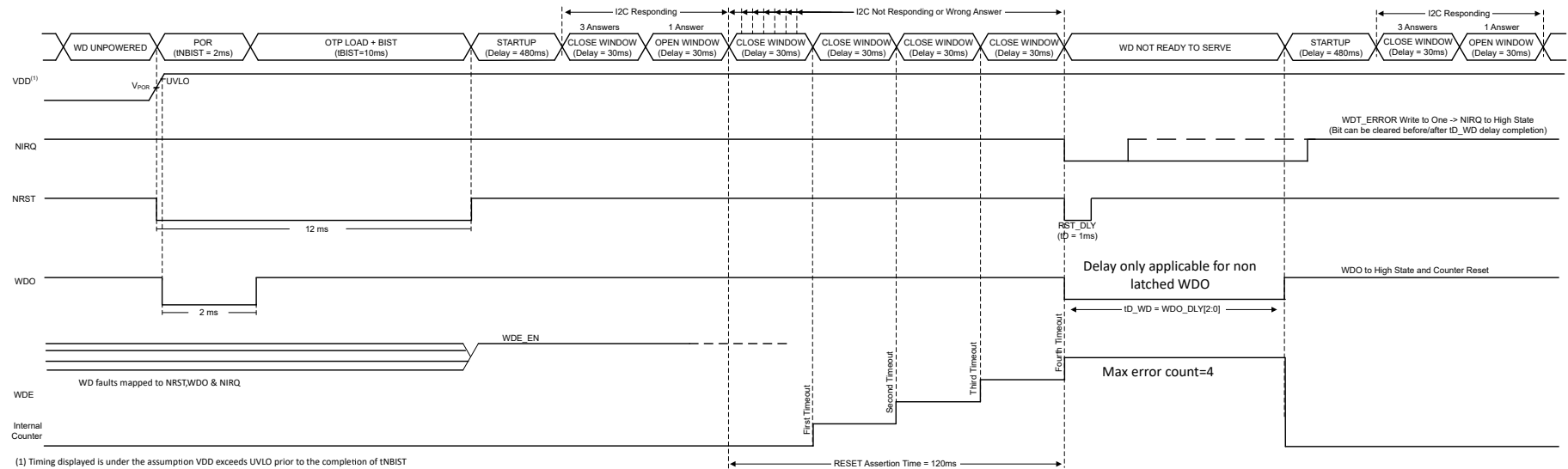
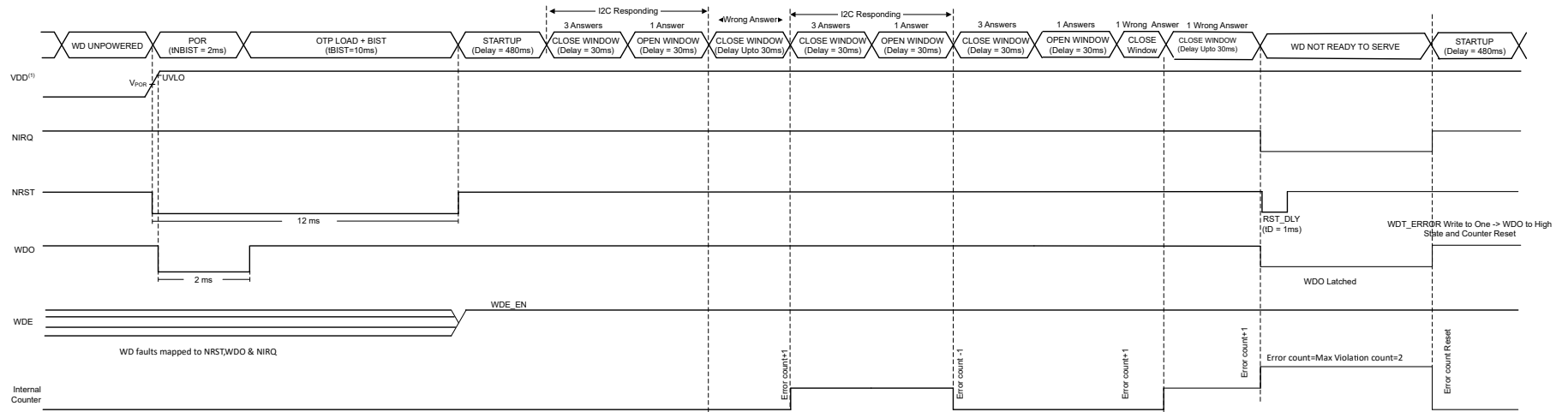
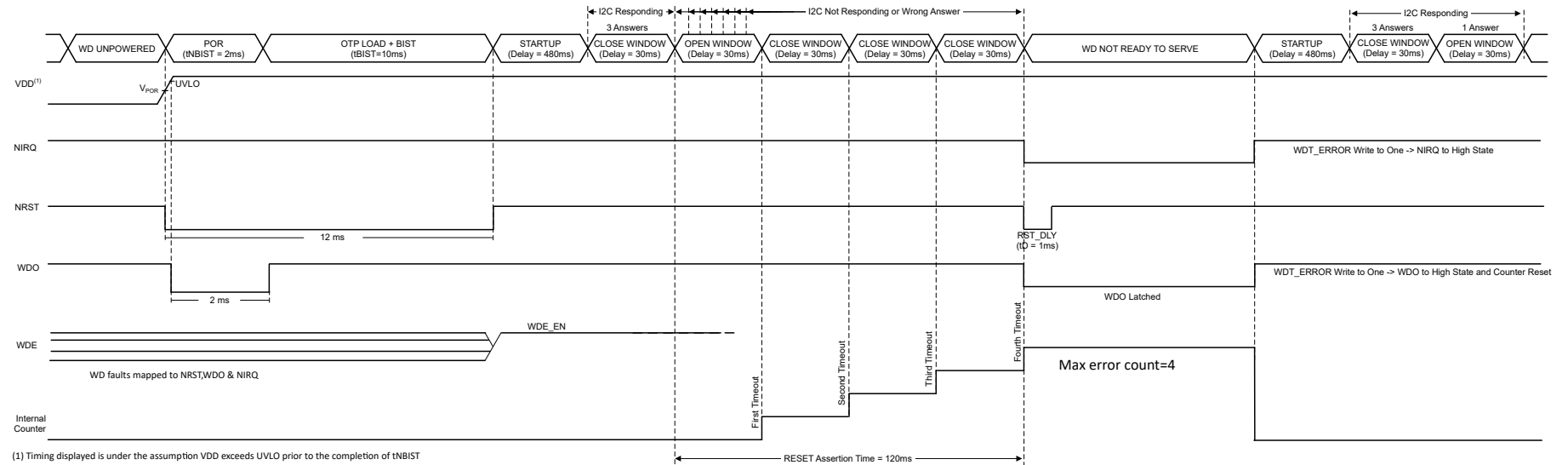


Figure 7-15. TPS389C03 CLOSE Window Error WDO Delay



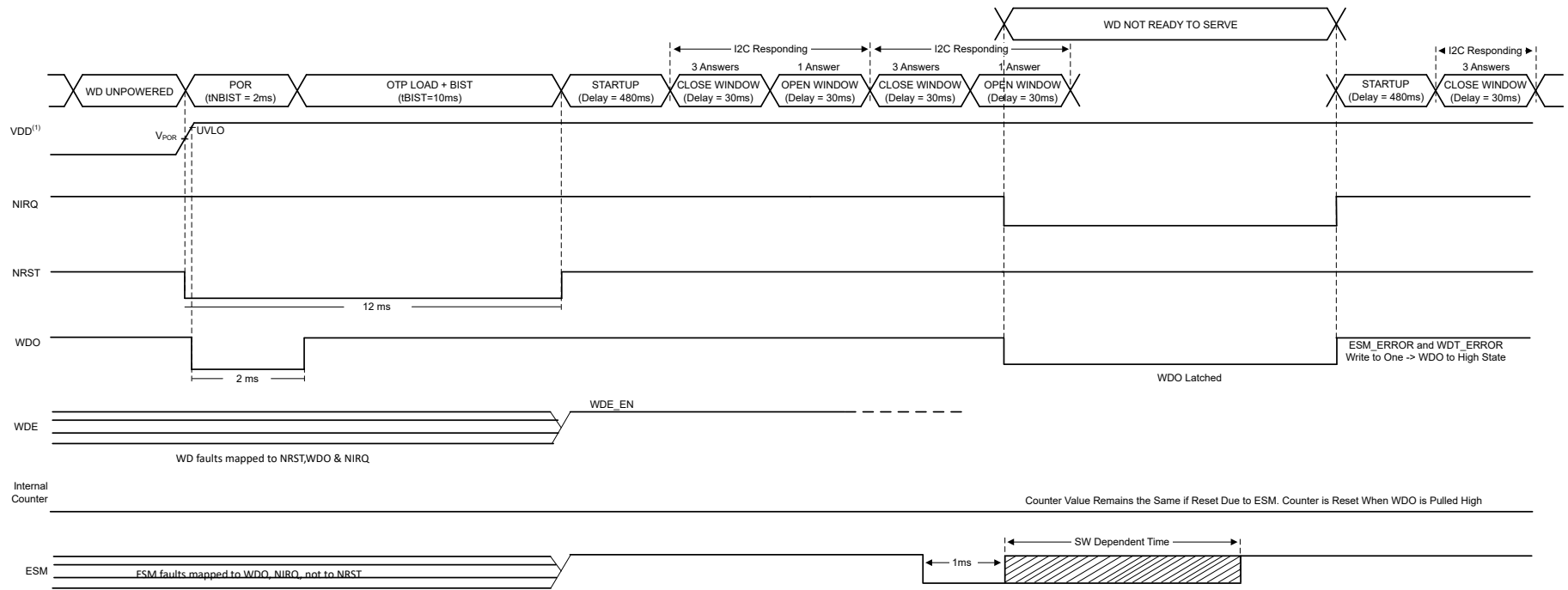
(1) Timing displayed is under the assumption VDD exceeds UVLO prior to the completion of tNBIST

**Figure 7-16. TPS389C03 CLOSE Window Error WDO Delay with Max Violation Count Reached**



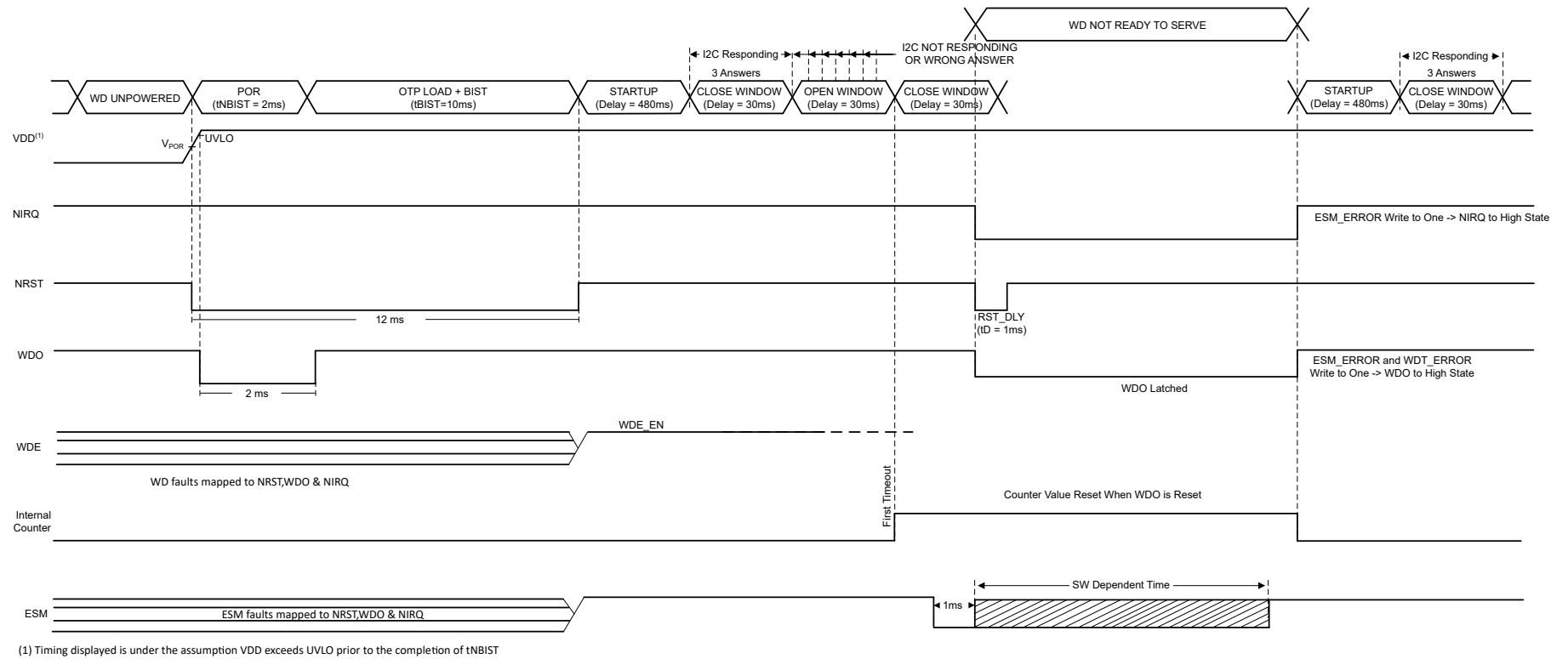
(1) Timing displayed is under the assumption VDD exceeds UVLO prior to the completion of tNBIST

**Figure 7-17. TPS389C03 OPEN Window Error WDO Latched**



(1) Timing displayed is under the assumption VDD exceeds UVLO prior to the completion of tNBIST

**Figure 7-18. TPS389C03 ESM Error with No WD Faults**



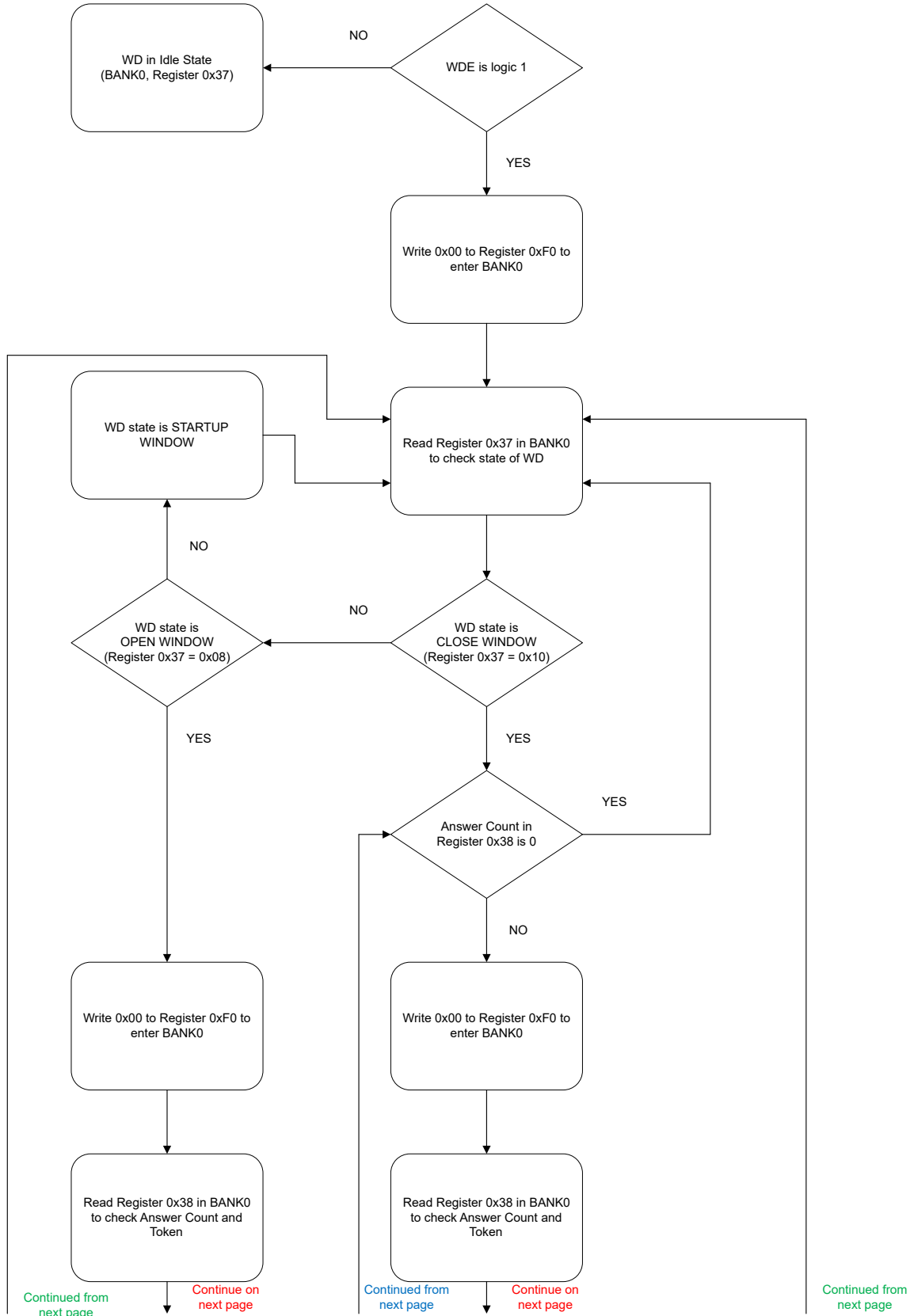
**Figure 7-19. TPS389C03 ESM Error After WD Time-out**

#### 7.3.9.5 Q&A Watchdog State Machine and Test Program

The flowchart shown in [Figure 7-20](#) and [Figure 7-21](#) describes the operation of the Q&A watchdog with an MCU. The associated state machine diagram drawn in [Figure 7-22](#) is referenced to [Table 7-6](#) and describes the transition between states for the Q&A watchdog.

The single test program in [Figure 7-23](#) to [Figure 7-25](#) demonstrates how the watchdog can be tested.





**Figure 7-20. Q&A Watchdog Operation Flowchart Page 1**

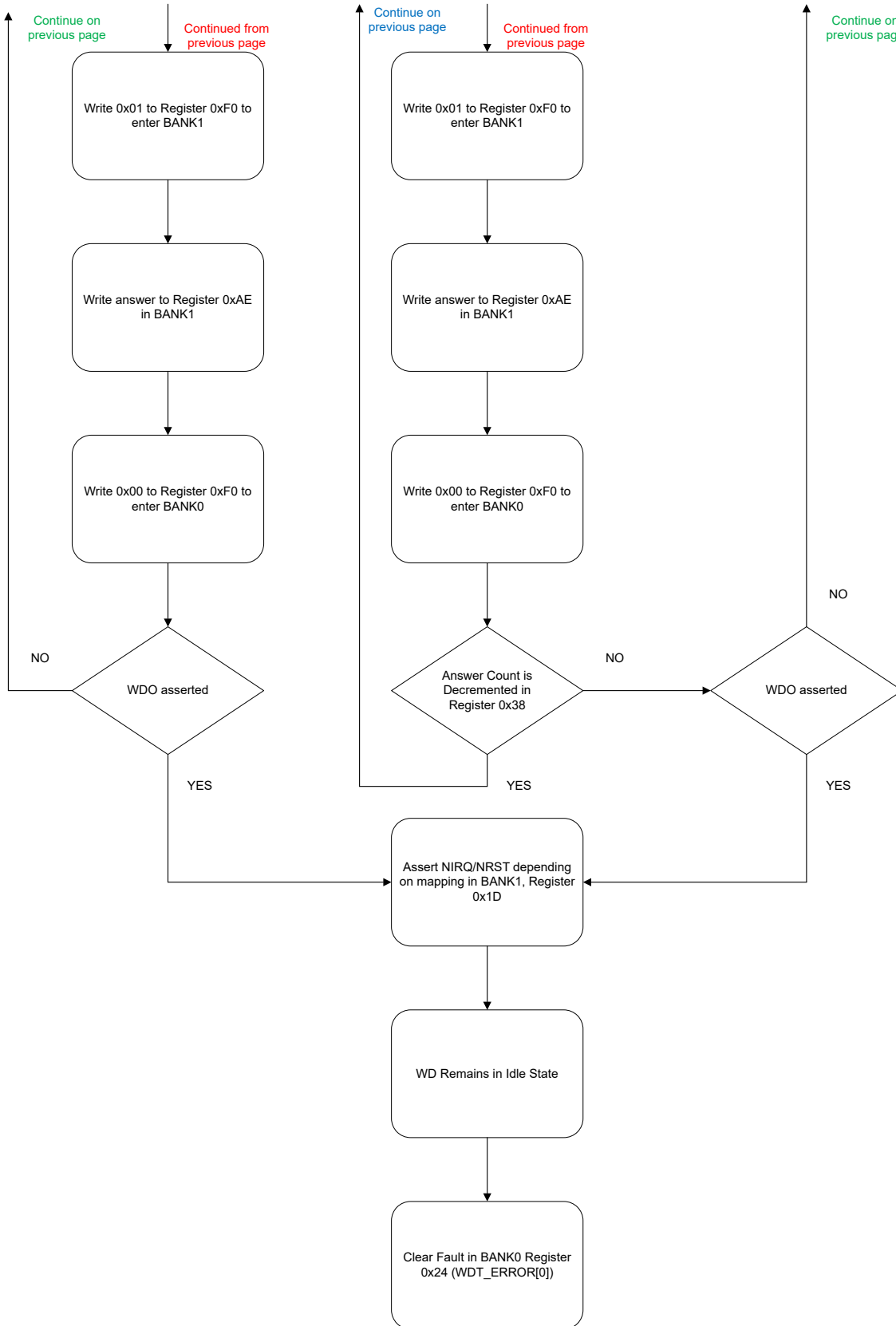


Figure 7-21. Q&A Watchdog Operation Flowchart Page 2

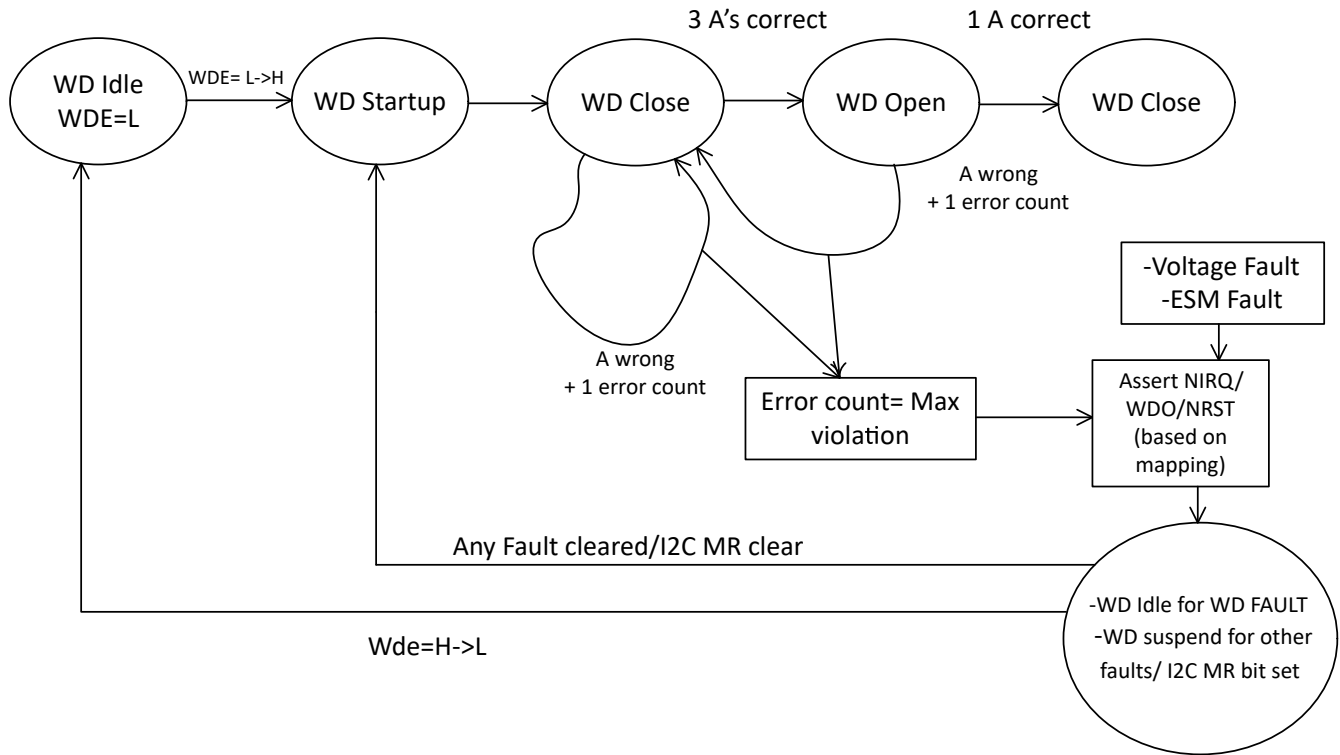


Figure 7-22. Q&A Watchdog State Diagram

<p>Switching to Bank 1</p> <p>F0 = 1 WDT Config</p> <p>AA Open Window Timeout</p> <p>AB Close Window Timeout</p> <p>AC</p> <p>Wait WD Enable Input = High WD_EN</p> <p>Switch to Bank 0</p> <p>F0 WDT STAT // Checking for startup timeout</p> <p>REG READ Readback WDT_STAT until STARTUP window expires.</p> <p>Goto</p> <p>Add String FC</p> <p>For</p> <p>Question 1</p>	<p>WDT configuration. 0xAA → WDT_DLY and Violation Count 0xAB → Open window timeout 0xAC → Close window timeout. <b>Can be skipped to use default values</b></p> <p>Wait for few ms and Pull WDE pin high</p> <p>Switch to Bank 0 and read 0x37 to check the state of WD. Keep reading in loop till WD state goes to close window.(0x37 = 0'd24)</p>	<p>Power up the device and bring VMONs within threshold levels before power up</p> <p>Action, AF I2C Write Registers.vi</p> <p>Action, AF I2C Write Registers.vi</p> <p>Action, AF I2C Write Registers.vi</p> <p>Action, AF I2C Write Registers.vi TimeInterval(0.1)</p> <p>Call SMU Force voltage in &lt;Current File&gt;</p> <p>Action, AF I2C Write Registers.vi</p> <p>Action, AF I2C Read Registers.vi</p> <p>Goto REG READ</p> <p>Add String Forcing Condition Locals.X = 0; Locals.X &lt; 100; Locals.X += 1</p>
--	--	---

Figure 7-23. Q&A Watchdog Test Program Page 1

Code	Description	Action
<p><b>For</b> For loop is for 64 iterations for one specific configuration</p>		
<p><b>Question 1:</b>                      Switch to bank 0                      F0 write                      Reading Answer count and token register                      READ 0x38                      Switch to Bank 1                      F0 write                      Calculate Answer from Answer cnt and token register                      Answer calculation                      Write answer in 0xAE register.                      AE write                      switch to Bank 0                      F0 write                      READ 0x38 and check if answer count reset to 3 for wrong answer                      READ 0x38                      Goto question 1 if wrong answer</p>	<p><b>Question 1:</b>                      Switch to Bank 0 and read register 0x38 for answer count and token register.                       Calculate answer based on answer count and token register                       Write the answer back in 0xAE register in bank 1.                       Read register 0x38 in bank 0, to check if answer count is reduced from 3 to 2.                      if not repeat the same from question 1.</p>	<p>Add String Forcing Condition                      Locals.X = 0; Locals.X &lt; 100; Locals.X += 1</p> <p>Action. AF I2C Write Registers.vi                      Action. AF I2C Read Registers.vi                      Action. AF I2C Write Registers.vi                      Locals.Answer[7] = Locals.WDT_status_Bin[2] ^ Locals.W                      Action. AF I2C Write Registers.vi                      Action. AF I2C Write Registers.vi                      Action. AF I2C Read Registers.vi                      Goto F0 write                      Action. AF I2C Write Registers.vi                      Action. AF I2C Read Registers.vi                      Action. AF I2C Write Registers.vi                      Locals.Answer[7] = Locals.WDT_status_Bin[2] ^ Locals.W                      Action. AF I2C Write Registers.vi                      Action. AF I2C Write Registers.vi                      Action. AF I2C Read Registers.vi                      Goto F0 write</p>
<p><b>Question 2:</b>                      Switch to bank 0                      F0 write                      Reading Answer count and token register                      READ 0x38                      Switch to Bank 1                      F0 write                      Calculate Answer from Answer cnt and token register                      Answer calculation                      write answer to 0xAE                      AE write                      Switch to Bank 0                      F0 switch                      READ 0x38 and check if answer count reset to 3 for wrong answer                      READ 0x38                      Goto question 1 if wrong answer</p>	<p><b>Question 2:</b>                      Switch to Bank 0 and read register 0x38 for answer count and token register.                       Calculate answer based on answer count and token register                       Write the answer back in 0xAE register in bank 1.                       Read register 0x38 in bank 0, to check if answer count is reduced from 2 to 1.                      If not repeat the same from question 1.</p>	<p>Action. AF I2C Write Registers.vi                      Action. AF I2C Read Registers.vi                      Action. AF I2C Write Registers.vi                      Locals.Answer[7] = Locals.WDT_status_Bin[2] ^ Locals.W                      Action. AF I2C Write Registers.vi                      Action. AF I2C Write Registers.vi                      Action. AF I2C Read Registers.vi                      Goto F0 write</p>

Figure 7-24. Q&A Watchdog Test Program Page 2

<p>Goto question 1 if wrong answer</p> <p><b>Question 3:</b>                      Switch to bank 0                      F0 write                      Reading Answer count and token register                      READ 0x38                      switch to bank 1                      F0 write                      Calculate Answer from Answer cnt and token register                      Answer calculation                      write answer to 0xAE                      AE write                      switch to Bank 0                      F0 write                      Reading Answer count and token register                      READ 0x38                      Goto question 1 if wrong answer</p>	<p><b>Question 3:</b>                      Switch to Bank 0 and read register 0x38 for answer count and token register.                      Calculate answer based on answer count and token register                       Write the answer back in 0xAE register in bank 1.                       Read register 0x38 in bank 0, to check if answer count is reduced from 1 to 0                      if not repeat the same from question 1.</p>	<p>Goto F0 write                      Action. AF I2C Write Registers.vi                      Action. AF I2C Read Registers.vi                      Action. AF I2C Write Registers.vi                      Locals.Answer[7] = Locals.WDT_status_Bin[2] ^ Locals.W                      Action. AF I2C Write Registers.vi                      Action. AF I2C Write Registers.vi                      Action. AF I2C Read Registers.vi                      Goto F0 write                      Action. AF I2C Write Registers.vi                      Action. AF I2C Read Registers.vi                      Action. AF I2C Write Registers.vi                      Locals.Answer[7] = Locals.WDT_status_Bin[2] ^ Locals.W                      Action. AF I2C Write Registers.vi</p>
<p><b>Wait for time out</b>                      switch to bank 0                      F0 write                      Read WD_STAT                      READ 0x37                      Keep reading 0x37 and check WDT state till close window expires.                      Goto "Read WD_STAT"</p>	<p>Switch to bank 0 and read 0x37 register to see wd state. Wait till close window expires and moves to open window.</p>	<p>Goto READ 0x37                      Action. AF I2C Write Registers.vi                      Action. AF I2C Read Registers.vi                      Goto READ 0x37</p>
<p><b>Question 4:</b>                      F0 write                      Reading Answer count and token register                      READ 0x38                      shift to bank 1                      F0 write                      calculate answer from Answer cnt and token register                      Answer calculation                      write answer to register 0xAE                      AE write</p>	<p><b>Question 4:</b>                      Switch to Bank 0 and read register 0x38 for answer count and token register.                      Calculate answer based on answer count and token register                      Write the answer back in 0xAE register in bank 1.</p>	<p>Action. AF I2C Write Registers.vi                      Action. AF I2C Read Registers.vi                      Action. AF I2C Write Registers.vi                      Locals.Answer[7] = Locals.WDT_status_Bin[2] ^ Locals.W                      Action. AF I2C Write Registers.vi</p>
<p><b>End</b>                      pull down WD_EN input                      WD_EN</p>	<p>End of for loop                      Pull down WD_EN</p>	<p>Call SMU Force voltage in &lt;Current File&gt;</p>

Figure 7-25. Q&A Watchdog Test Program Page 3

### 7.3.10 Error Signal Monitoring (ESM)

The Error Signal Monitoring (ESM) pin is used to monitor the error output of the SOC or microcontroller. The internal types of errors that need to happen to assert the ESM pin low can be configured in the microcontroller. Once the ESM pin is asserted low, the actions or results of the microcontroller cannot be relied on. The ESM pin has a programmable threshold delay (Bank 1\_0x09E\_Threshold) to prevent unintended false trips. The ESM pin also has a configurable debounce (Bank 1\_0x09F\_ESM\_DEB). When the ESM pin of TPS389C03-Q1 is asserted low an ESM\_ERROR will be flagged by a bit located in the INT\_VENDOR register. The ESM pin is pulled low by default through an internal 100k pull-down resistance, thus an ESM\_ERROR will be flagged by

default if no external source is applied to the ESM pin. Note the pull down resistor is only active when VDD has been applied, otherwise the pin is left floating.

**Table 7-7. ESM Threshold Delay Time**

REG VALUE	TIME	NOTES
0-31	1-32ms	1ms steps
32-63	34-96 ms	2ms steps
64-255	100-864 ms	4ms steps

The configurations listed in [Table 7-8](#) to [Table 7-14](#) demonstrate how TPS389C03-Q1 responds when mapped to different fault outputs such as NRST, NIRQ and WDO. Faults mapped to NIRQ are always latched behavior. Note if NIRQ is un-mapped from ESM while NIRQ is asserted (latched) then NIRQ will de-assert, NIRQ will re-assert when re-mapped assuming the ESM\_ERROR bit was not cleared. Faults mapped to WDO can be latched or have an associated WDO delay based on the OTP setting. If the ESM function is being used as a reset method, then it is recommended to map ESM to WDO to avoid NRST toggling. If WDE is pulled low in operation, it is recommended to have ESM fault mapped only to NIRQ.

When ESM is mapped to WDO, an ESM fault, with the resulting WDO assertion, will not be flagged in the WDT\_ERROR bit. However, it is recommended to write 1 to the WDT\_ERROR bit and the ESM\_ERROR bit found in the INT\_VENDOR ([Section 8.1.1.9](#)) register to clear all of the latched outputs. The WDO output can also be de-asserted by toggling the WDE pin. Note if ESM is un-mapped from WDO while WDO is asserted (latched), WDO will stay asserted until write 1 to the WDT\_ERROR bit and the ESM\_ERROR bit.

**Table 7-8. ESM Mapped to WDO, NIRQ, and NRST**

	WDE	WDO	NIRQ	NRST
ESM fault	High	After ESM delay, WDO asserted and ESM fault set. I2C write to clear and deassert.	After ESM delay, NIRQ asserted and ESM fault set. I2C write to clear and deassert.	After ESM delay, NRST asserted and deasserted after reset delay. ESM pin state not checked until WDO is deasserted.
	Low	ESM fault not asserted WDO.	After ESM delay, NIRQ asserted and ESM fault set. I2C write to clear and deassert.	After ESM delay, NRST asserted and deasserted after reset delay. ESM pin state checked after ESM delay. If ESM stays low, NRST will toggle.

**Table 7-9. ESM Mapped to NIRQ and NRST**

	WDE	WDO	NIRQ	NRST
ESM fault	High	Not asserted.	After ESM delay, NIRQ asserted and ESM fault set. I2C write to clear and deassert.	After ESM delay, NRST asserted and deasserted after reset delay. ESM pin state checked after ESM delay. If ESM stays low, NRST will toggle.
	Low	Not asserted.	After ESM delay, NIRQ asserted and ESM fault set. I2C write to clear and deassert.	After ESM delay, NRST asserted and deasserted after reset delay. ESM pin state checked after ESM delay. If ESM stays low, NRST will toggle.

**Table 7-10. ESM Mapped to WDO and NIRQ**

	WDE	WDO	NIRQ	NRST
ESM fault	High	After ESM delay, WDO asserted and ESM fault set. I2C write to clear and deassert.	After ESM delay, NIRQ asserted and ESM fault set. I2C write to clear and deassert.	Not asserted.
	Low	Not asserted.	After ESM delay, NIRQ asserted and ESM fault set. I2C write to clear and deassert.	Not asserted.

**Table 7-11. ESM Mapped to WDO and NRST**

	WDE	WDO	NIRQ	NRST
ESM fault	High	After ESM delay, WDO asserted and ESM fault set. I2C write to clear and deassert.	Not asserted.	After ESM delay, NRST asserted and deasserted after reset delay. ESM pin state not checked until WDO is deasserted.
	Low	Not asserted.	Not asserted.	After ESM delay, NRST asserted and deasserted after reset delay. ESM pin state checked after ESM delay. If ESM stays low NRST will toggle.

**Table 7-12. ESM Mapped to NRST**

	WDE	WDO	NIRQ	NRST
ESM fault	High	Not asserted.	Not asserted.	After ESM delay, NRST asserted and deasserted after reset delay. ESM pin state checked after ESM delay. If ESM stays low NRST will toggle.
	Low	Not asserted.	Not asserted.	After ESM delay, NRST asserted and deasserted after reset delay. ESM pin state checked after ESM delay. If ESM stays low NRST will toggle.

**Table 7-13. ESM Mapped to NIRQ**

	WDE	WDO	NIRQ	NRST
ESM fault	High	Not asserted.	After ESM delay, NIRQ asserted and ESM fault set. I2C write to clear and deassert.	Not asserted.
	Low	Not asserted.	After ESM delay, NIRQ asserted and ESM fault set. I2C write to clear and deassert.	Not asserted.

**Table 7-14. ESM Mapped to WDO**

	WDE	WDO	NIRQ	NRST
ESM fault	High	After ESM delay, WDO asserted and ESM fault set. I2C write to clear and deassert.	Not asserted.	Not asserted.
	Low	ESM fault not asserted WDO.	Not asserted.	Not asserted.

### 7.3.10.1 ESM Timing

The timing diagrams starting from [Figure 7-26](#) to [Figure 7-29](#) show the behavior for a latched WDO fault pin. Faults mapped to NRST have an associated reset delay based on (Bank 1\_0x9F\_RST\_DLY). For each diagram, the assumed system configuration is that once the microcontroller is reset, it restarts with ESM fault cleared or ESM pin high.

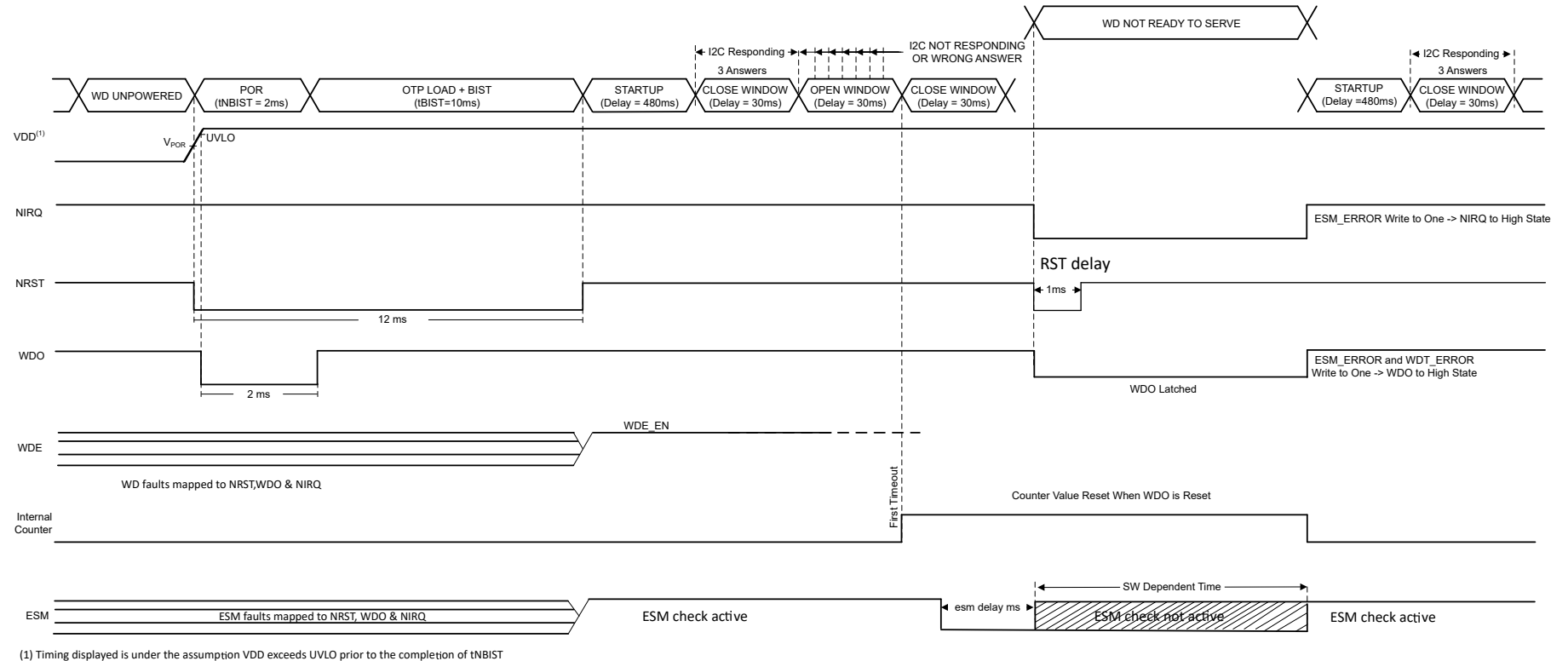
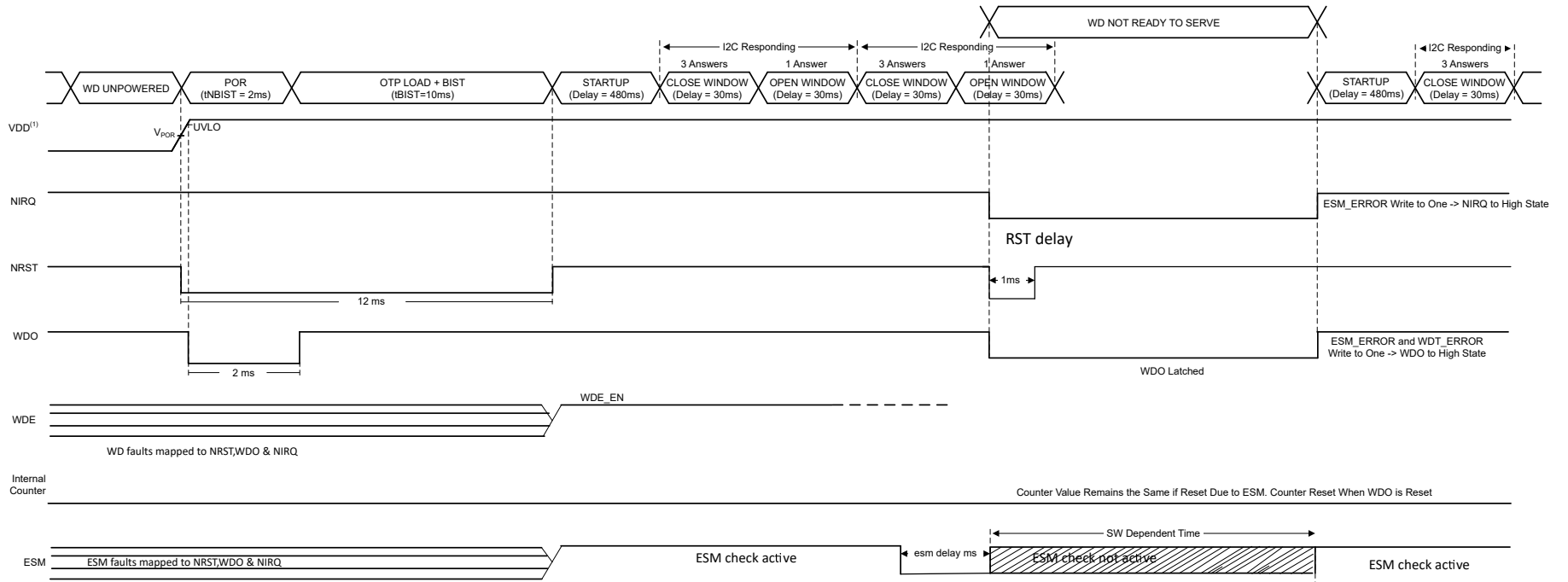


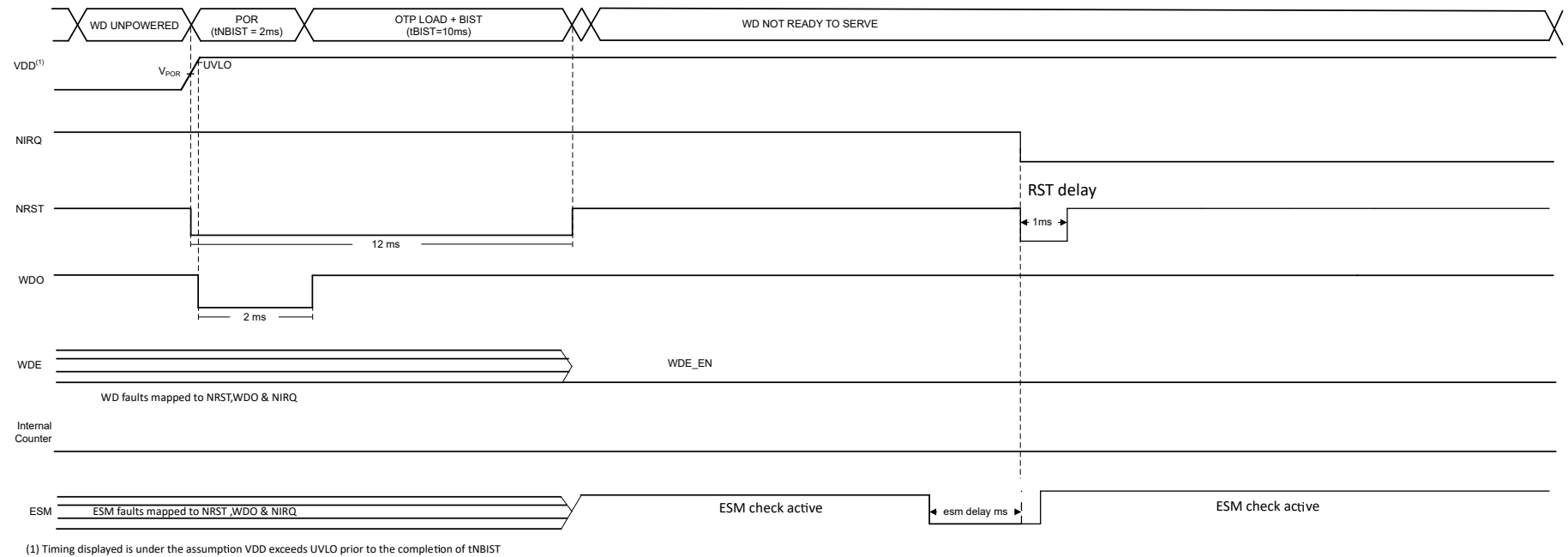
Figure 7-26. WD Error Followed by ESM Fault (WD Enabled)



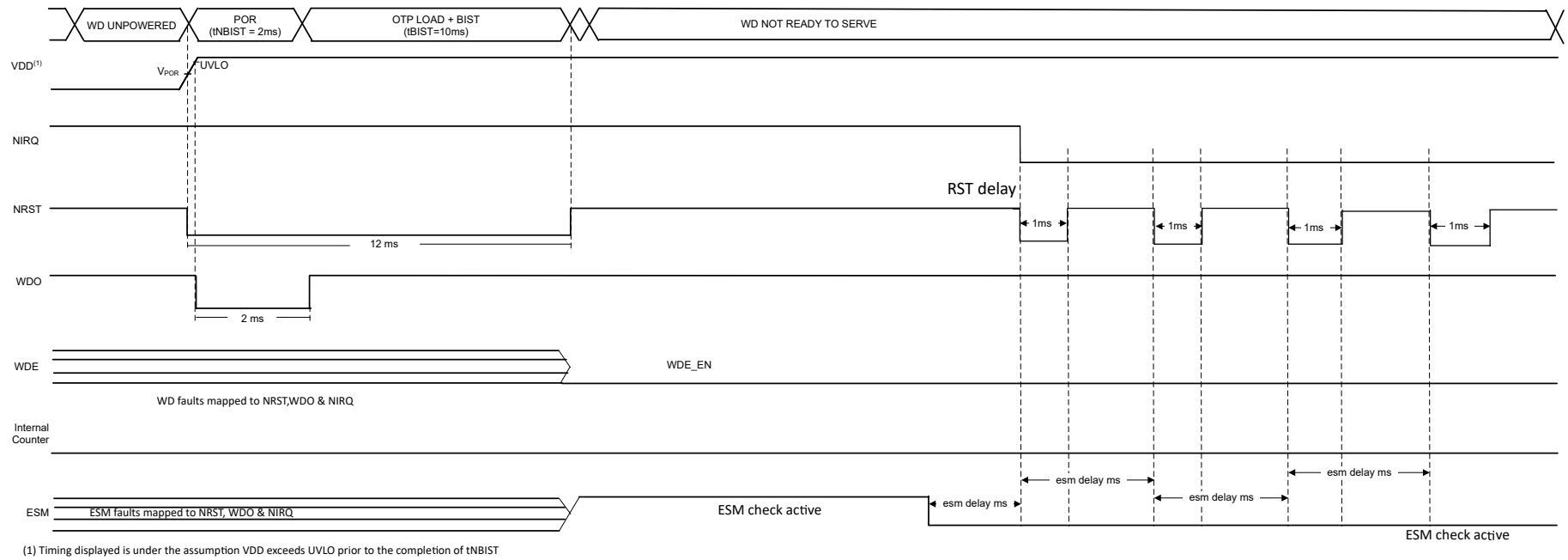
(1) Timing displayed is under the assumption VDD exceeds UVLO prior to the completion of tNBIST

Figure 7-27. ESM Fault (WD Enabled)





**Figure 7-28. Transient ESM Fault (WD Disabled)**



**Figure 7-29. Permanent ESM Fault (WD Disabled)**

### 7.3.11 Register Protection

TPS389C03-Q1 features register protection enabled through registers PROT1 0xF1h and PROT2 0xF2h. Registers PROT1 and PROT2 composition is shown in table [Table 7-15](#)

**Table 7-15. PROT1 Register Description**

Register	Bit	7	6	5	4	3	2	1	0
<b>PROT1 (0xF1)</b>	R/W	RSVD	RSVD	WRKC	WRKS	CFG	IEN	MON	SEQ
<b>PROT2 (0xF2)</b>	R/W	RSVD	RSVD	WRKC	WRKS	CFG	IEN	MON	SEQ

To write-protect a register group, the host must set the relevant bit in both registers PROT1 and PROT2. Register groups are split up into categories as shown in [Table 7-16](#). Register groups are only applicable to registers in Bank One. Registers concerning ESM and Watchdog are not protected by any register group as seen in [Table 7-16](#).

**Table 7-16. Write-Protect Register Group Summary**

Register name	PROT group	Register name	PROT group
VMON_CTL	WRKC	ESM	N/A
VMON_MISC	CFG	TI_CONTROL	N/A
TEST_CFG	CFG	AMSK_ON	IEN
IEN_UVHP	IEN	AMSK_OFF	IEN
IEN_UVLP	IEN	SEQ_TOUT_MSB	SEQ
IEN_OVHP	IEN	SEQ_TOUT_LSB	SEQ
IEN_OVLP	IEN	SEQ_UP_THLD	SEQ
IEN_CONTROL	IEN	SEQ_DN_THLD	SEQ
IEN_TEST	IEN	WDT_CFG	N/A
IEN_VENDOR	IEN	WDT_CLOSE	N/A
VIN_CH_EN	CFG	WDT_OPEN	N/A
VRANGE_MULT	CFG	WDT_QA_CFG	N/A
MON2 settings	MON[2]	WDT_ANSWER	N/A
MON3 settings	MON[3]	BANK_SEL	N/A
MON4 settings	MON[4]		

If individual monitor protection is desired this can be achieved through the use of register PROT\_MON (0xF3) as seen in figure [Table 7-17](#).

**Table 7-17. PROT\_MON Register Description**

Register	Bit	7	6	5	4	3	2	1	0
<b>PROT_MON (0xF3)</b>	R/W	RSVD	RSVD	RSVD	RSVD	MON[4]	MON[3]	MON[2]	RSVD

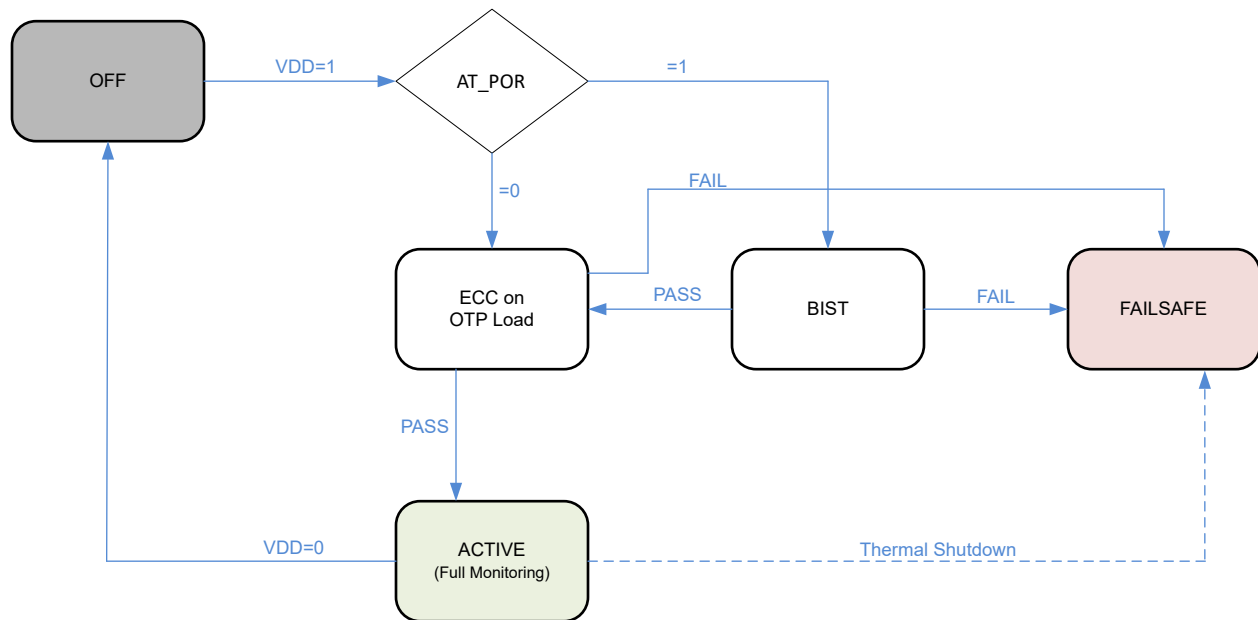
Register PROT\_MON selects the monitor channel which is protected once PROT1 AND PROT2 registers are written to protect the MON group. Register PROT\_MON is set to a value of 0xFF by default, this makes it such that when MON protection is applied through registers PROT1 and PROT2 the protection is applied to all monitors. If a user wishes to not apply protection to a specific monitor channel then the user must set the bit corresponding to the monitor channel in question to a value of 0 prior to PROT1 and PROT2 being set.

At start up registers PROT1 and PROT2 are set to a default value of 0x00. Once a bit is set to 1 in PROT1 or PROT2 the bit will become read-only and cannot be cleared by a write command. To reset PROT1 and PROT2 the user can utilize RESET\_PROT, bit 3 of the VMON\_CTL register. RESET\_PROT is part of the WRKC register set therefore if the user desires to use RESET\_PROT's functionality WRKC protection should not be included

when configuring PROT1 and PROT2 protection registers. If WRKC protection is enabled when configuring PROT1 and PROT2 then protection registers can only be reset through a device power cycle.

## 7.4 Device Functional Modes

The TPS389C03-Q1 has three key functional modes that the device may enter over the course of operation. When no power is applied to the device, it will be in the OFF state where the monitoring channels and the watchdog will be inactive. Once VDD is greater than UVLO, the device will enter the ACTIVE state after the BIST and OTP loading have finished. During the ACTIVE state, the device will be capable of full monitoring and the watchdog will be active. If a BIST failure, double-error detect (DED) during the OTP loading, thermal shutdown, or an address pin fault occurs, the device will enter the FAILSAFE mode. Once in FAILSAFE, NRST and NIRQ are asserted low. To leave the FAILSAFE state, power to the TPS389C03-Q1 must be cycled. Reading register 0x30 in BANK0 provides information on the state of the device. See [Section 8.1.1.10](#) for details. The state diagram drawn in [Figure 7-30](#) follows the progression through each state.



**Figure 7-30. TPS389C03-Q1 State Diagram**

### 7.4.1 Built-In Self Test and Configuration Load

Built-In Self Test (BIST) is performed at Power On Reset (POR), if TEST\_CFG.AT\_POR=1.

Configuration load from OTP is assisted by ECC (supporting SEC-DED). This is to protect against data integrity issues and to maximize system availability.

During BIST, NIRQ is de-asserted (asserted in case of failure), input pins are ignored, and the I<sup>2</sup>C block is inactive with SDA and SCL de-asserted. The BIST includes device testing to meet the Technical Safety Requirements. Once BIST is completed without failure, I<sup>2</sup>C is immediately active and the device enters the ACTIVE state after loading the configuration data from OTP. If BIST fails and/or ECC reports Double-Error Detection (DED), NIRQ is asserted low, NRST is asserted low, the device enters FAILSAFE state. The TEST\_INFO register found in [Section 8.1.1.11](#) provides information on the test coverage and results. Additionally, Watchdog and ESM are covered in Logic BIST as well and verified in BIST\_L.

The detailed behavior upon success/failure of the BIST is controlled by INT\_TEST and IEN\_TEST registers. Reporting of the BIST results is carried out through:

- NIRQ pin: pulled low depending on the test result and BIST\_C and BIST bits in IEN\_TEST
- I\_BIST\_C and BIST bits in INT\_TEST register depending on IEN\_TEST settings
- VMON\_STAT.ST\_BIST\_C register bit

- TEST\_INFO[3:0] register bits

#### 7.4.1.1 Notes on BIST Execution

Upon POR the TPS389C03-Q1 needs to make a decision whether to run BIST or not, based on the value of the TEST\_CFG.AT\_POR register bit. Assuming that ECC on this register is performed after BIST has checked the ECC logic itself, it is not possible to guarantee its data integrity before running BIST.

BIST can be triggered manually during normal operation by writing 1 to the ENTER\_BIST bit found in BANK1 Register 0x9F. It is not recommended to use BIST when faults are asserted by the TPS389C03-Q1.

#### 7.4.2 TPS389C03-Q1 Power ON

When the TPS389C03-Q1 is powered ON, BIST is optionally executed (depending on TEST\_CFG.AT\_POR register bit); I<sup>2</sup>C and fault reporting (through NIRQ) become active as soon as BIST is complete and configuration is loaded from OTP (assisted by ECC, supporting SEC-DED).

The details of the configuration load ECC and BIST results are reported in TEST\_INFO register.

Upon detection of the VDD rising edge past UVLO, the TPS389C03-Q1 starts the sequence timeout timer. The UV faults are masked until the sequence timeout has expired.

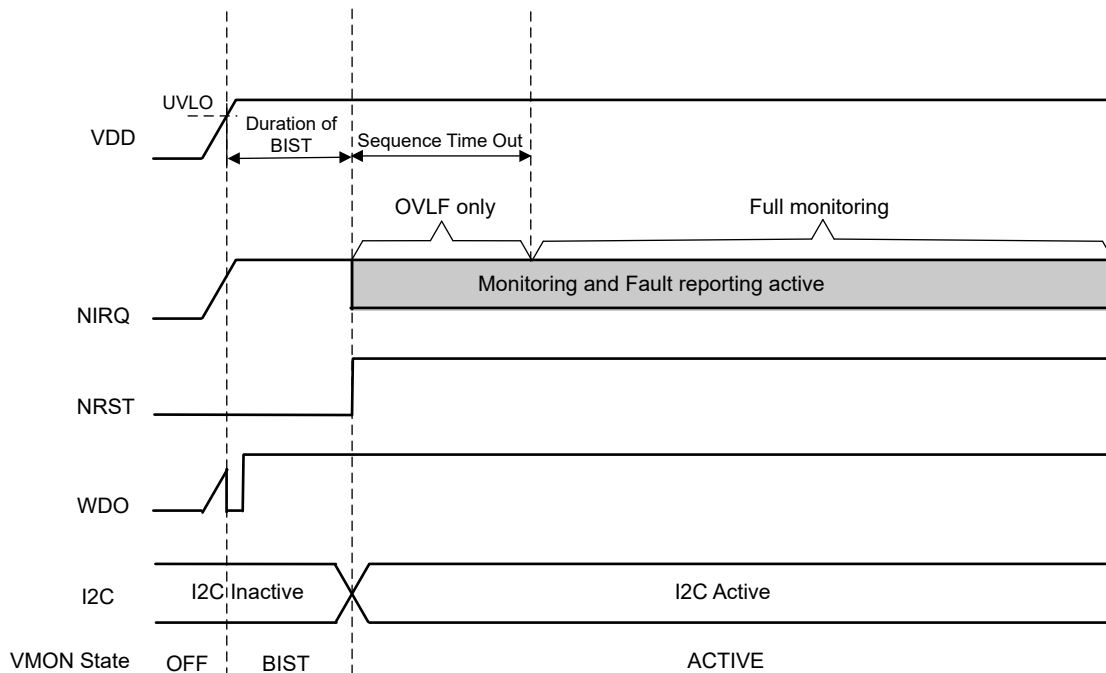


Figure 7-31. TPS389C03-Q1 Power ON Signaling and Internal States

BIST completion can be detected through interrupt or register polling:

- Interrupt: INT\_TEST.I\_BIST\_C flag is set and NIRQ is asserted if IEN\_TEST.BIST\_C=1
- Polling: VMON\_STAT register can be polled to read the ST\_BIST\_C bit

## 8 Register Maps

### 8.1 Registers Overview

The register map is designed to support up to 3 channels through register banks, with the following organization:

- Bank 0 - Status Register Set Summary
  - Vendor info and usage registers (bank independent)
  - Interrupt registers
  - Status registers
  - Bank selection register (bank independent)
  - Protection registers (bank independent)
  - Device configuration registers (bank independent)
- Bank 1 - Configuration Register Set Summary
  - Vendor info and usage registers (bank independent)
  - Control registers (device global registers)
  - Monitor configuration registers (channel specific registers)
  - Sequence configuration registers (both device global and channel specific registers)
  - Bank selection register (bank independent)
  - Protection registers (bank independent)
  - Device configuration registers (bank independent)

Bank independent registers are accessible at the same address irrespective of the current bank selection. Access to other registers requires the proper bank being selected.

All registers are 8-bit wide, and are loaded at boot with the default value described here or with the OTP value programmed at the factory. Unused registers addresses are reserved for future use and support up to 3 channels.

Write accesses to protected registers (see PROT1/2 details), invalid registers, or valid registers with invalid data, should be NACK'd.

If the default value found in the register map is listed as "X", then the value can be found in TPS389C0300CRTERQ1 OTP Configuration.

### 8.1.1 BANK0 Registers

Table 8-1 lists the memory-mapped registers for the BANK0 registers. All register offset addresses not listed in Table 8-1 should be considered as reserved locations and the register contents should not be modified.

**Table 8-1. BANK0 Registers**

Offset	Acronym	Register Name	Section
10h	INT_SRC	Global Interrupt Source Status register.	<a href="#">Go</a>
11h	INT_MONITOR	Voltage Monitor Interrupt Status register.	<a href="#">Go</a>
12h	INT_UVHF	High Frequency channel Under-Voltage Interrupt Status register.	<a href="#">Go</a>
14h	INT_UVLF	Low Frequency channel Under-Voltage Interrupt Status register.	<a href="#">Go</a>
16h	INT_OVHF	High Frequency channel Over-Voltage Interrupt Status register	<a href="#">Go</a>
18h	INT_OVLF	Low Frequency channel Over-Voltage Interrupt Status register	<a href="#">Go</a>
22h	INT_CONTROL	Control and Communication Interrupt Status register.	<a href="#">Go</a>
23h	INT_TEST	Internal Test and Configuration Load Interrupt Status register.	<a href="#">Go</a>
24h	INT_VENDOR	Vendor Specific Internal Interrupt Status register.	<a href="#">Go</a>
30h	VMON_STAT	Status flags for internal operations and other non critical conditions.	<a href="#">Go</a>
31h	TEST_INFO	Internal Self-Test and ECC information.	<a href="#">Go</a>
32h	OFF_STAT	Channel OFF status.	<a href="#">Go</a>
37h	WDT_STAT	Watchdog Status	<a href="#">Go</a>
38h	WD_STAT_QA	Watchdog Answer Count and Token	<a href="#">Go</a>
41h	MON_LVL[2]	Channel 2 voltage level.	<a href="#">Go</a>
42h	MON_LVL[3]	Channel 3 voltage level.	<a href="#">Go</a>
43h	MON_LVL[4]	Channel 4 voltage level.	<a href="#">Go</a>
F0h	BANK_SEL	Bank Select.	<a href="#">Go</a>
F1h	PROT1	Locks or unlocks register changes. Must match PROT2.	<a href="#">Go</a>
F2h	PROT2	Locks or unlocks register changes. Must match PROT1.	<a href="#">Go</a>
F3h	PROT_MON	Locks MON registers in tandem with PROT1 and PROT2.	<a href="#">Go</a>
F9h	I2CADDR	I2C Address	<a href="#">Go</a>
FAh	DEV_CFG	Status of I2C interface voltage levels.	<a href="#">Go</a>

Complex bit access types are encoded to fit into small table cells. Table 8-2 shows the codes that are used for access types in this section.

**Table 8-2. BANK0 Access Type Codes**

Access Type	Code	Description
Read Type		
R	R	Read
Write Type		
W	W	Write
W1C	W 1C	Write 1 to clear

**Table 8-2. BANK0 Access Type Codes (continued)**

Access Type	Code	Description
Reset or Default Value		
-n		Value after reset or the default value

**8.1.1.1 INT\_SRC Register (Offset = 10h) [Reset = 00h]**

INT\_SRC is shown in [Table 8-3](#).

Return to the [Summary Table](#).

Global Interrupt Source Status register.

**Table 8-3. INT\_SRC Register Field Descriptions**

Bit	Field	Type	Reset	Description
7	F_OTHER	R	0h	Vendor internal defined faults. Details reported in INT_Vendor. Represents ORed value of all bits in INT_Vendor. 0 = No Vendor defined faults detected 1 = Vendor defined faults detected
6-3	RSVD	R	0h	RSVD
2	TEST	R	0h	Internal test or configuration load fault. Details reported in INT_TEST. Represents ORed value of all bits in INT_TEST. 0 = No test/configuration fault detected 1 = Test/configuration fault detected
1	CONTROL	R	0h	Control status or communication fault. Details reported in INT_CONTROL. Represents ORed value of all bits in INT_CONTROL. 0 = No status or communication fault detected 1 = Status or communication fault detected
0	MONITOR	R	0h	Voltage monitor fault. Details reported in INT_MONITOR. Represents ORed value of all bits in INT_MONITOR. 0 = No voltage fault detected 1 = Voltage fault detected

**8.1.1.2 INT\_MONITOR Register (Offset = 11h) [Reset = 00h]**

INT\_MONITOR is shown in [Table 8-4](#).

Return to the [Summary Table](#).

Voltage Monitor Interrupt Status register.

**Table 8-4. INT\_MONITOR Register Field Descriptions**

Bit	Field	Type	Reset	Description
7-4	RSVD	R	0h	RSVD
3	OVLf	R	0h	Over-Voltage Low Frequency Fault reported by ADC based measurement. Details reported in INT_OVLf. Represents ORed value of all bits in INT_OVLf. 0 = No OVLf fault detected 1 = OVLf fault detected
2	OVHF	R	0h	Over-Voltage High Frequency Fault reported by comparator based monitoring. Details reported in INT_OVHF. Represents ORed value of all bits in INT_OVHF. 0 = No OVHF fault detected 1 = OVHF fault detected



**Table 8-4. INT\_MONITOR Register Field Descriptions (continued)**

Bit	Field	Type	Reset	Description
1	UVLF	R	0h	Under-Voltage Low Frequency Fault reported by ADC based measurement. Details reported in INT_UVLF. Represents ORed value of all bits in INT_UVLF. 0 = No UVLF fault detected 1 = UVLF fault detected
0	UVHF	R	0h	Under-Voltage High Frequency Fault reported by comparator based monitoring. Details reported in INT_UVHF. Represents ORed value of all bits in INT_UVHF. 0 = No UVHF fault detected 1 = UVHF fault detected

### 8.1.1.3 INT\_UVHF Register (Offset = 12h) [Reset = 00h]

INT\_UVHF is shown in [Table 8-5](#).

Return to the [Summary Table](#).

High Frequency channel Under-Voltage Interrupt Status register.

**Table 8-5. INT\_UVHF Register Field Descriptions**

Bit	Field	Type	Reset	Description
7-4	RSVD	R/W1C	0h	RSVD
3	F_UVHF[4]	R/W1C	0h	Under-Voltage High Frequency Fault for MON4. Trips if MON4 High Frequency signal goes below UVHF[4]. 0 = MON4 has no UVHF fault detected (or interrupt disabled in IEN_UVHF register) 1 = MON4 has UVHF fault detected The recovery of the fault condition does NOT clear the bit. It can only be cleared by the host with a write-1-to-clear. Write-1-to-clear will clear the bit only if the UVHF fault condition is also removed (MON4 High Frequency signal is above UVHF[4]).
2	F_UVHF[3]	R/W1C	0h	Under-Voltage High Frequency Fault for MON3. Trips if MON3 High Frequency signal goes below UVHF[3]. 0 = MON3 has no UVHF fault detected (or interrupt disabled in IEN_UVHF register) 1 = MON3 has UVHF fault detected The recovery of the fault condition does NOT clear the bit. It can only be cleared by the host with a write-1-to-clear. Write-1-to-clear will clear the bit only if the UVHF fault condition is also removed (MON3 High Frequency signal is above UVHF[3]).
1	F_UVHF[2]	R/W1C	0h	Under-Voltage High Frequency Fault for MON2. Trips if MON2 High Frequency signal goes below UVHF[2]. 0 = MON2 has no UVHF fault detected (or interrupt disabled in IEN_UVHF register) 1 = MON2 has UVHF fault detected The recovery of the fault condition does NOT clear the bit. It can only be cleared by the host with a write-1-to-clear. Write-1-to-clear will clear the bit only if the UVHF fault condition is also removed (MON2 High Frequency signal is above UVHF[2]).
0	RSVD	R/W1C	0h	RSVD

### 8.1.1.4 INT\_UVLF Register (Offset = 14h) [Reset = 00h]

INT\_UVLF is shown in [Table 8-6](#).

Return to the [Summary Table](#).

Low Frequency channel Under-Voltage Interrupt Status register.

**Table 8-6. INT\_UVLF Register Field Descriptions**

Bit	Field	Type	Reset	Description
7-4	RSVD	R/W1C	0h	RSVD
3	F_UVLF[4]	R/W1C	0h	Under-Voltage Low Frequency Fault for MON4 . Trips if MON4 Low Frequency signal goes below UVLF[4]. 0 = MON4 has no UVLF fault detected (or interrupt disabled in IEN_UVLF register) 1 = MON4 has UVLF fault detected The recovery of the fault condition does NOT clear the bit. It can only be cleared by the host with a write-1-to-clear. Write-1-to-clear will clear the bit only if the UVLF fault condition is also removed (MON4 Low Frequency signal is above UVLF[4]).
2	F_UVLF[3]	R/W1C	0h	Under-Voltage Low Frequency Fault for MON3. Trips if MON3 Low Frequency signal goes below UVLF[3]. 0 = MON3 has no UVLF fault detected (or interrupt disabled in IEN_UVLF register) 1 = MON3 has UVLF fault detected The recovery of the fault condition does NOT clear the bit. It can only be cleared by the host with a write-1-to-clear. Write-1-to-clear will clear the bit only if the UVLF fault condition is also removed (MON3 Low Frequency signal is above UVLF[3]).
1	F_UVLF[2]	R/W1C	0h	Under-Voltage Low Frequency Fault for MON2. Trips if MON2 Low Frequency signal goes below UVLF[2]. 0 = MON2 has no UVLF fault detected (or interrupt disabled in IEN_UVLF register) 1 = MON2 has UVLF fault detected The recovery of the fault condition does NOT clear the bit. It can only be cleared by the host with a write-1-to-clear. Write-1-to-clear will clear the bit only if the UVLF fault condition is also removed (MON2 Low Frequency signal is above UVLF[2]).
0	RSVD	R/W1C	0h	RSVD

**8.1.1.5 INT\_OVHF Register (Offset = 16h) [Reset = 00h]**

INT\_OVHF is shown in [Table 8-7](#).

Return to the [Summary Table](#).

High Frequency channel Over-Voltage Interrupt Status register

**Table 8-7. INT\_OVHF Register Field Descriptions**

Bit	Field	Type	Reset	Description
7-4	RSVD	R/W1C	0h	RSVD
3	F_OVHF[4]	R/W1C	0h	Over-Voltage High Frequency Fault for MON4. Trips if MON4 High Frequency signal goes above OVHF[4]. 0 = MON4 has noOVHF fault detected (or interrupt disabled in IEN_OVHF register) 1 = MON4 has OVHF fault detected The recovery of the fault condition does NOT clear the bit. It can only be cleared by the host with a write-1-to-clear. Write-1-to-clear will clear the bit only if the OVHF fault condition is also removed (MON4 High Frequency signal is below OVHF[4])
2	F_OVHF[3]	R/W1C	0h	Over-Voltage High Frequency Fault for MON3. Trips if MON3 High Frequency signal goes above OVHF[3]. 0 = MON3 has no OVHF fault detected (or interrupt disabled in IEN_OVHF register) 1 = MON3 has OVHF fault detected The recovery of the fault condition does NOT clear the bit. It can only be cleared by the host with a write-1-to-clear. Write-1-to-clear will clear the bit only if the OVHF fault condition is also removed (MON3 High Frequency signal is below OVHF[3])

**Table 8-7. INT\_OVHF Register Field Descriptions (continued)**

Bit	Field	Type	Reset	Description
1	F_OVHF[2]	R/W1C	0h	Over-Voltage High Frequency Fault for MON2. Trips if MON2 High Frequency signal goes above OVHF[2]. 0 = MON2 has no OVHF fault detected (or interrupt disabled in IEN_OVHF register) 1 = MON2 has OVHF fault detected The recovery of the fault condition does NOT clear the bit. It can only be cleared by the host with a write-1-to-clear. Write-1-to-clear will clear the bit only if the OVHF fault condition is also removed (MON2 High Frequency signal is below OVHF[2])
0	RSVD	R/W1C	0h	RSVD

### 8.1.1.6 INT\_OVLF Register (Offset = 18h) [Reset = 00h]

INT\_OVLF is shown in [Table 8-8](#).

Return to the [Summary Table](#).

Low Frequency channel Over-Voltage Interrupt Status register

**Table 8-8. INT\_OVLF Register Field Descriptions**

Bit	Field	Type	Reset	Description
7-4	RSVD	R/W1C	0h	RSVD
3	F_OVLF[4]	R/W1C	0h	Over-Voltage Low Frequency Fault for MON4. Trips if MON4 Low Frequency signal goes above OVLF[4]. 0 = MON4 has no OVLF fault detected (or interrupt disabled in IEN_OVLF register) 1 = MON4 has OVLF fault detected The recovery of the fault condition does NOT clear the bit. It can only be cleared by the host with a write-1-to-clear. Write-1-to-clear will clear the bit only if the OVLF fault condition is also removed (MON4 Low Frequency signal is below OVLF[4]).
2	F_OVLF[3]	R/W1C	0h	Over-Voltage Low Frequency Fault for MON3. Trips if MON3 Low Frequency signal goes above OVLF[3]. 0 = MON3 has no OVLF fault detected (or interrupt disabled in IEN_OVLF register) 1 = MON3 has OVLF fault detected The recovery of the fault condition does NOT clear the bit. It can only be cleared by the host with a write-1-to-clear. Write-1-to-clear will clear the bit only if the OVLF fault condition is also removed (MON3 Low Frequency signal is below OVLF[3]).
1	F_OVLF[2]	R/W1C	0h	Over-Voltage Low Frequency Fault for MON2. Trips if MON2 Low Frequency signal goes above OVLF[2]. 0 = MON2 has no OVLF fault detected (or interrupt disabled in IEN_OVLF register) 1 = MON2 has OVLF fault detected The recovery of the fault condition does NOT clear the bit. It can only be cleared by the host with a write-1-to-clear. Write-1-to-clear will clear the bit only if the OVLF fault condition is also removed (MON2 Low Frequency signal is below OVLF[2]).
0	RSVD	R/W1C	0h	RSVD

### 8.1.1.7 INT\_CONTROL Register (Offset = 22h) [Reset = 00h]

INT\_CONTROL is shown in [Table 8-9](#).

Return to the [Summary Table](#).

Control and Communication Interrupt Status register.

**Table 8-9. INT\_CONTROL Register Field Descriptions**

Bit	Field	Type	Reset	Description
7-5	RSVD	R/W1C	0h	RSVD
4	F_CRC	R/W1C	0h	Runtime register CRC Fault: 0 = No fault detected (or IEN_CONTROL.RT_CRC is disabled) 1 = Register CRC fault detected The recovery of the fault condition does NOT clear the bit. It can only be cleared by the host with a write-1-to-clear. Write-1-to-clear will clear the bit. The bit will be set again during next register CRC check if the same fault is detected
3	F_NIRQ	R/W1C	0h	Interrupt pin fault (fault bit always enabled; no enable bit available): 0 = No fault detected on NIRQ pin 1 = Low resistance path to supply detected on NIRQ pin The recovery of the fault condition does NOT clear the bit. It can only be cleared by the host with a write-1-to-clear. Write-1-to-clear will clear the bit only if the NIRQ fault condition is also removed.
2	F_TSD	R/W1C	0h	Thermal Shutdown fault: 0 = No TSD fault detected (or IEN_CONTROL.TSD is disabled) 1 = TSD fault detected The recovery of the fault condition does NOT clear the bit. It can only be cleared by the host with a write-1-to-clear. Write-1-to-clear will clear the bit only if the TSD fault condition is also removed
1	RSVD	R/W1C	0h	RSVD
0	F_PEC	R/W1C	0h	Packet Error Checking fault: 0 = PEC mismatch has not occurred (or IEN_CONTROL.PEC is disabled) 1 = PEC mismatch has occurred, or VMON_MISC.REQ_PEC=1 and PEC is missing in a write transaction The recovery of the fault condition does NOT clear the bit. It can only be cleared by the host with a write-1-to-clear. Write-1-to-clear will clear the bit. The bit will be set again during next I2C transaction if the same fault is detected.

**8.1.1.8 INT\_TEST Register (Offset = 23h) [Reset = 00h]**

INT\_TEST is shown in [Table 8-10](#).

Return to the [Summary Table](#).

Internal Test and Configuration Load Interrupt Status register.

**Table 8-10. INT\_TEST Register Field Descriptions**

Bit	Field	Type	Reset	Description
7-4	RSVD	R/W1C	0h	RSVD
3	ECC_SEC	R/W1C	0h	ECC single-error corrected on OTP configuration load: 0 = No single-error corrected (or IEN_TEST.ECC_SEC is disabled) 1 = Single-error corrected Write-1-to-clear will clear the bit. The bit will be set again during next OTP configuration load if the same fault is detected.
2	ECC_DED	R/W1C	0h	ECC double-error detected on OTP configuration load: 0 = No double-error detected on OTP load 1 = Double-error detected on OTP load The fault bit is always enabled (there is no associated interrupt enable bit). The device will move to failsafe mode on double error detection.
1	BIST_Complete_INT	R/W1C	0h	Indication of Built-In Self-Test complete: 0 = BIST not complete (or IEN_TEST.BIST_C is disabled) 1 = BIST complete Write-1-to-clear will clear the bit. The bit will be set again on completion of next BIST execution

**Table 8-10. INT\_TEST Register Field Descriptions (continued)**

Bit	Field	Type	Reset	Description
0	BIST_Fail_INT	R/W1C	0h	Built-In Self-Test fault: 0 = No BIST fault detected (or IEN_TEST.BIST is disabled) 1 = BIST fault detected Write-1-to-clear will clear the bit. The bit will be set again during next BIST execution if the fault is detected

### 8.1.1.9 INT\_VENDOR Register (Offset = 24h) [Reset = 00h]

INT\_VENDOR is shown in [Table 8-11](#).

Return to the [Summary Table](#).

Vendor Specific Internal Interrupt Status register.

**Table 8-11. INT\_VENDOR Register Field Descriptions**

Bit	Field	Type	Reset	Description
7	Self-Test_CRC	R/W1C	0h	Startup register CRC self-test 0 = Self-test Pass 1 = Self-test Fail Write-1-to clear
6	LDO_OV_Error	R/W1C	0h	Internal LDO Overvoltage error. 0 = No internal LDO overvoltage fault detected 1 = Internal LDO overvoltage fault detected The recovery of the fault condition does NOT clear the bit. It can only be cleared by the host with a write-1-to-clear. Write-1-to-clear will clear the bit only if the LDO fault condition is also removed.
5	NRST_MISMATCH	R/W1C	0h	Designates error due to drive state and read back. During an NRST toggle NRST mismatch will be active after 2 $\mu$ s, NRST must exceed 0.6*VDD to be considered in a logic high state. 0 = No fault detected on NRST pin 1 = Error due to drive state and read back. The recovery of the fault condition does NOT clear the bit. It can only be cleared by the host with a write-1-to-clear. Write-1-to-clear will clear the bit only if the NRST fault condition is also removed.
4	Freq_DEV_Error	R/W1C	0h	Designates internal frequency errors. 0 = No internal frequency fault detected 1 = Internal frequency fault detected The recovery of the fault condition does NOT clear the bit. It can only be cleared by the host with a write-1-to-clear. Write-1-to-clear will clear the bit only if the frequency fault condition is also removed.
3	SHORT_DET	R/W1C	0h	Address pin short detect. 0 = No address pin short fault detected 1 = Address pin short fault detected The recovery of the fault condition does NOT clear the bit. It can only be cleared by the host with a write-1-to-clear. Write-1-to-clear will clear the bit only if the address pin short fault condition is also removed.
2	OPEN_DET	R/W1C	0h	Address pin open detect. 0 = No address pin open fault detected 1 = Address pin open fault detected The recovery of the fault condition does NOT clear the bit. It can only be cleared by the host with a write-1-to-clear. Write-1-to-clear will clear the bit only if the address pin open fault condition is also removed.
1	ESM_ERROR	R/W1C	0h	Indication of ESM fault. 0 = No ESM fault detected 1 = ESM fault detected The recovery of the fault condition does NOT clear the bit. It can only be cleared by the host with a write-1-to-clear. Write-1-to-clear will clear the bit only if the ESM fault condition is also removed.

**Table 8-11. INT\_VENDOR Register Field Descriptions (continued)**

Bit	Field	Type	Reset	Description
0	WDT_ERROR	R/W1C	0h	Indication of Watchdog fault. 0 = No Watchdog fault detected 1 = Watchdog fault detected The recovery of the fault condition does NOT clear the bit. It can only be cleared by the host with a write-1-to-clear. Write-1-to-clear will clear the bit only if the Watchdog fault condition is also removed.

**8.1.1.10 VMON\_STAT Register (Offset = 30h) [Reset = 7Eh]**

VMON\_STAT is shown in [Table 8-12](#).

Return to the [Summary Table](#).

Status flags for internal operations and other non critical conditions.

**Table 8-12. VMON\_STAT Register Field Descriptions**

Bit	Field	Type	Reset	Description
7	FAILSAFE	R	0h	1 = Device in FAILSAFE state
6	ST_BIST_C	R	1h	Built-In Self-Test state: 0 = BIST not complete 1 = BIST complete
5	ST_VDD	R	1h	Status VDD
4	ST_NIRQ	R	1h	Status NIRQ pin
3	RSVD	R	1h	RSVD
2	ACTIVE	R	1h	1 = Device in ACTIVE state
1	RSVD	R	1h	RSVD
0	RSVD	R	0h	RSVD

**8.1.1.11 TEST\_INFO Register (Offset = 31h) [Reset = 00h]**

TEST\_INFO is shown in [Table 8-13](#).

Return to the [Summary Table](#).

Internal Self-Test and ECC information.

**Table 8-13. TEST\_INFO Register Field Descriptions**

Bit	Field	Type	Reset	Description
7-6	RSVD	R	0h	RSVD
5	ECC_SEC	R	0h	Status of ECC single-error correction on OTP configuration load. 0 = no error correction applied 1 = single-error correction applied
4	ECC_DED	R	0h	Status of ECC double-error detection on OTP configuration load. 0 = no double-error detected 1 = double-error detected
3	BIST_VM	R	0h	Status of Volatile Memory test output from BIST. 0 = Volatile Memory test pass 1 = Volatile Memory test fail
2	BIST_NVM	R	0h	Status of Non-Volatile Memory test output from BIST. 0 = Non-Volatile Memory test pass 1 = Non-Volatile Memory test fail
1	BIST_L	R	0h	Status of Logic test output from BIST. 0 = Logic test pass 1 = Logic test fail

**Table 8-13. TEST\_INFO Register Field Descriptions (continued)**

Bit	Field	Type	Reset	Description
0	BIST_A	R	0h	Status of Analog test output from BIST. 0 = Analog test pass 1 = Analog test fail

#### 8.1.1.12 OFF\_STAT Register (Offset = 32h) [Reset = 00h]

OFF\_STAT is shown in [Table 8-14](#).

Return to the [Summary Table](#).

Channel OFF status.

**Table 8-14. OFF\_STAT Register Field Descriptions**

Bit	Field	Type	Reset	Description
7-4	RSVD	R	0h	RSVD
3	MON[4]	R	0h	Represents the OFF status of each channel: 0 = channel 4 is NOT OFF 1 = channel 4 is OFF (below OFF threshold)
2	MON[3]	R	0h	Represents the OFF status of each channel: 0 = channel 3 is NOT OFF 1 = channel 3 is OFF (below OFF threshold)
1	MON[2]	R	0h	Represents the OFF status of each channel: 0 = channel 2 is NOT OFF 1 = channel 2 is OFF (below OFF threshold)
0	RSVD	R	0h	RSVD

#### 8.1.1.13 WDT\_STAT Register (Offset = 37h) [Reset = 00h]

WDT\_STAT is shown in [Table 8-15](#).

Return to the [Summary Table](#).

Watchdog Status

**Table 8-15. WDT\_STAT Register Field Descriptions**

Bit	Field	Type	Reset	Description
7-6	RSVD	R	0h	RSVD
5-3	WD_STATE	R	0h	Represents Watchdog state. 000 = WD Idle state 001 = WD Open state 010 = WD Close state 011 = WD Startup state 100 = WD suspend state
2	ST_WDEXP	R	0h	Will flag if close window expires before writing 3 answers or if open window expires. 1 = close window or open window expired (bit clears when read)
1	RSVD	R	0h	RSVD
0	ST_WDUV	R	0h	Will flag if an extra answer in close window (4 answers in close window) OR a wrong answer in close window OR a wrong answer in open window. 1 = extra or wrong answer (bit clears when read)

#### 8.1.1.14 WD\_STAT\_QA Register (Offset = 38h) [Reset = 3Ch]

WD\_STAT\_QA is shown in [Table 8-16](#).

Return to the [Summary Table](#).

Watchdog Answer Count and Token

**Table 8-16. WD\_STAT\_QA Register Field Descriptions**

Bit	Field	Type	Reset	Description
7-6	RSVD	R	0h	RSVD
5-4	ANSW_CNT[1:0]	R	3h	Represents Answer count in real time
3-0	TOKEN[3:0]	R	Ch	Represents Token in real time. Enabling the watchdog sets the Token value to 0.

#### 8.1.1.15 MON\_LVL[2] Register (Offset = 41h) [Reset = 00h]

MON\_LVL[2] is shown in [Table 8-17](#).

Return to the [Summary Table](#).

Channel 2 voltage level.

**Table 8-17. MON\_LVL[2] Register Field Descriptions**

Bit	Field	Type	Reset	Description
7-0	ADC[7:0]	R	0h	Represents MON2 voltage telemetry value in hex

#### 8.1.1.16 MON\_LVL[3] Register (Offset = 42h) [Reset = 00h]

MON\_LVL[3] is shown in [Table 8-18](#).

Return to the [Summary Table](#).

Channel 3 voltage level.

**Table 8-18. MON\_LVL[3] Register Field Descriptions**

Bit	Field	Type	Reset	Description
7-0	ADC[7:0]	R	0h	Represents MON3 voltage telemetry value in hex

#### 8.1.1.17 MON\_LVL[4] Register (Offset = 43h) [Reset = 00h]

MON\_LVL[4] is shown in [Table 8-19](#).

Return to the [Summary Table](#).

Channel 4 voltage level.

**Table 8-19. MON\_LVL[4] Register Field Descriptions**

Bit	Field	Type	Reset	Description
7-0	ADC[7:0]	R	0h	Represents MON4 voltage telemetry value in hex

#### 8.1.1.18 BANK\_SEL Register (Offset = F0h) [Reset = 00h]

BANK\_SEL is shown in [Table 8-20](#).

Return to the [Summary Table](#).

Bank Select.



**Table 8-20. BANK\_SEL Register Field Descriptions**

Bit	Field	Type	Reset	Description
7-1	RSVD	R/W	0h	RSVD
0	BANK_Select	R/W	0h	Represents bank selection. 0 = Bank 0 1 = Bank 1

### 8.1.1.19 PROT1 Register (Offset = F1h) [Reset = 00h]

PROT1 is shown in [Table 8-21](#).

Return to the [Summary Table](#).

Locks or unlocks register changes. Must match PROT2.

**Table 8-21. PROT1 Register Field Descriptions**

Bit	Field	Type	Reset	Description
7-6	RSVD	R/W	0h	RSVD
5	WRKC	R/W	0h	Represents Protection from writes for WRKC group. Both PROT1 and PROT2 need to be set for protection. 0 = Changes to register are possible 1 = Changes to register are not possible
4	RSVD	R/W	0h	RSVD
3	CFG	R/W	0h	Represents Protection from writes for CFG group. Both PROT1 and PROT2 need to be set for protection. 0 = Changes to register are possible 1 = Changes to register are not possible
2	IEN	R/W	0h	Represents Protection from writes for IEN group. Both PROT1 and PROT2 need to be set for protection. 0 = Changes to register are possible 1 = Changes to register are not possible
1	MON	R/W	0h	Represents Protection from writes for MON group. Both PROT1 and PROT2 need to be set for protection. 0 = Changes to register are possible 1 = Changes to register are not possible
0	RSVD	R/W	0h	RSVD

### 8.1.1.20 PROT2 Register (Offset = F2h) [Reset = 00h]

PROT2 is shown in [Table 8-22](#).

Return to the [Summary Table](#).

Locks or unlocks register changes. Must match PROT1.

**Table 8-22. PROT2 Register Field Descriptions**

Bit	Field	Type	Reset	Description
7-6	RSVD	R/W	0h	RSVD
5	WRKC	R/W	0h	Represents Protection from writes for CFG group. Both PROT1 and PROT2 need to be set for protection. 0 = Changes to register are possible 1 = Changes to register are not possible
4	RSVD	R/W	0h	RSVD
3	CFG	R/W	0h	Represents Protection from writes for CFG group. Both PROT1 and PROT2 need to be set for protection. 0 = Changes to register are possible 1 = Changes to register are not possible

**Table 8-22. PROT2 Register Field Descriptions (continued)**

Bit	Field	Type	Reset	Description
2	IEN	R/W	0h	Represents Protection from writes for IEN group. Both PROT1 and PROT2 need to be set for protection. 0 = Changes to register are possible 1 = Changes to register are not possible
1	MON	R/W	0h	Represents Protection from writes for MON group. Both PROT1 and PROT2 need to be set for protection. 0 = Changes to register are possible 1 = Changes to register are not possible
0	RSVD	R/W	0h	RSVD

**8.1.1.21 PROT\_MON Register (Offset = F3h) [Reset = 1Fh]**

PROT\_MON is shown in [Table 8-23](#).

Return to the [Summary Table](#).

Locks MON registers in tandem with PROT1 and PROT2.

**Table 8-23. PROT\_MON Register Field Descriptions**

Bit	Field	Type	Reset	Description
7-4	RSVD	R/W	1h	RSVD
3	MON[4]	R/W	1h	Protects MON4 from writes along with PROT1 and PROT2. 0= Changes are possible 1= Changes are not possible
2	MON[3]	R/W	1h	Protects MON3 from writes along with PROT1 and PROT2. 0= Changes are possible 1= Changes are not possible
1	MON[2]	R/W	1h	Protects MON2 from writes along with PROT1 and PROT2. 0= Changes are possible 1= Changes are not possible
0	RSVD	R/W	1h	RSVD

**8.1.1.22 I2CADDR Register (Offset = F9h) [Reset = 30h]**

I2CADDR is shown in [Table 8-24](#).

Return to the [Summary Table](#).

I2C Address

**Table 8-24. I2CADDR Register Field Descriptions**

Bit	Field	Type	Reset	Description
7	RSVD	R/W	0h	RSVD
6-3	ADDR_NVM[3:0]	R	6h	Represents I2C address from internal OTP. Default value of 30 hex. Also the default I2C address for fail safe mode if I2C communication fails
2-0	ADDR_STRAP[2:0]	R	0h	Represents I2C address from resistor value on ADDR pin.

**8.1.1.23 DEV\_CFG Register (Offset = FAh) [Reset = 00h]**

DEV\_CFG is shown in [Table 8-25](#).

Return to the [Summary Table](#).

Status of I2C interface voltage levels.

**Table 8-25. DEV\_CFG Register Field Descriptions**

Bit	Field	Type	Reset	Description
7-0	RSVD	R	0h	RSVD

### 8.1.2 BANK1 Registers

Table 8-26 lists the memory-mapped registers for the BANK1 registers. All register offset addresses not listed in Table 8-26 should be considered as reserved locations and the register contents should not be modified.

**Table 8-26. BANK1 Registers**

Offset	Acronym	Register Name	Section
10h	VMON_CTL	VMON device control register.	<a href="#">Go</a>
11h	VMON_MISC	Miscellaneous VMON configurations.	<a href="#">Go</a>
12h	TEST_CFG	Built-In Self Test (BIST) execution configuration.	<a href="#">Go</a>
13h	IEN_UVHF	High Frequency channel Under-Voltage Interrupt Enable register	<a href="#">Go</a>
14h	IEN_UVLF	Low Frequency channel Under-Voltage Interrupt Enable register.	<a href="#">Go</a>
15h	IEN_OVHF	High Frequency channel Over-Voltage Interrupt Enable register.	<a href="#">Go</a>
16h	IEN_OVLF	Low Frequency channel Over-Voltage Interrupt Enable register.	<a href="#">Go</a>
1Bh	IEN_CONTROL	Control and Communication Fault Interrupt Enable register.	<a href="#">Go</a>
1Ch	IEN_TEST	Internal Test and Configuration Load Fault Interrupt Enable register	<a href="#">Go</a>
1Dh	IEN_VENDOR	Vendor Specific Internal Interrupt Enable register.	<a href="#">Go</a>
1Eh	MON_CH_EN	Channel Voltage Monitoring Enable.	<a href="#">Go</a>
1Fh	VRANGE_MULT	Channel Voltage Monitoring Range/Scaling.	<a href="#">Go</a>
30h	UV_HF[2]	Channel 2 High Frequency channel Under-Voltage threshold.	<a href="#">Go</a>
31h	OV_HF[2]	Channel 2 High Frequency channel Over-Voltage threshold.	<a href="#">Go</a>
32h	UV_LF[2]	Channel 2 Low Frequency channel Under-Voltage threshold.	<a href="#">Go</a>
33h	OV_LF[2]	Channel 2 Low Frequency channel Over-Voltage threshold.	<a href="#">Go</a>
34h	FLT_HF[2]	Channel 2 UV and OV debouncing for High Frequency thresholds comparator output.	<a href="#">Go</a>
35h	FC_LF[2]	Channel 2 Low Frequency Path G(s) Cutoff Frequency (-3 dB point). The register changes the filter properties of the programmable LPF such that the total frequency response G(s) meets these cutoff frequencies.	<a href="#">Go</a>
40h	UV_HF[3]	Channel 3 High Frequency channel Under-Voltage threshold.	<a href="#">Go</a>
41h	OV_HF[3]	Channel 3 High Frequency channel Over-Voltage threshold.	<a href="#">Go</a>
42h	UV_LF[3]	Channel 3 Low Frequency channel Under-Voltage threshold.	<a href="#">Go</a>
43h	OV_LF[3]	Channel 3 Low Frequency channel Over-Voltage threshold.	<a href="#">Go</a>
44h	FLT_HF[3]	Channel 3 UV and OV debouncing for High Frequency thresholds comparator output.	<a href="#">Go</a>

**Table 8-26. BANK1 Registers (continued)**

Offset	Acronym	Register Name	Section
45h	FC_LF[3]	Channel 3 Low Frequency Path G(s) Cutoff Frequency (-3 dB point). The register changes the filter properties of the programmable LPF such that the total frequency response G(s) meets these cutoff frequencies.	<a href="#">Go</a>
50h	UV_HF[4]	Channel 4 High Frequency channel Under-Voltage threshold.	<a href="#">Go</a>
51h	OV_HF[4]	Channel 4 High Frequency channel Over-Voltage threshold.	<a href="#">Go</a>
52h	UV_LF[4]	Channel 4 Low Frequency channel Under-Voltage threshold.	<a href="#">Go</a>
53h	OV_LF[4]	Channel 4 Low Frequency channel Over-Voltage threshold.	<a href="#">Go</a>
54h	FLT_HF[4]	Channel 4 UV and OV debouncing for High Frequency thresholds comparator output.	<a href="#">Go</a>
55h	FC_LF[4]	Channel 4 Low Frequency Path G(s) Cutoff Frequency (-3 dB point). The register changes the filter properties of the programmable LPF such that the total frequency response G(s) meets these cutoff frequencies.	<a href="#">Go</a>
9Eh	ESM	ESM threshold time for asserting a fault.	<a href="#">Go</a>
9Fh	TI_CONTROL	Manual BIST/WD EN/Manual Reset via I2C/ESM deglitch/Reset delay	<a href="#">Go</a>
A1h	AMSK_ON	Auto-mask UVLF, UVHF, and OVHF interrupts on power up transitions.	<a href="#">Go</a>
A2h	AMSK_OFF	Auto-mask UVLF, UVHF, and OVHF interrupts on power down transitions.	<a href="#">Go</a>
A5h	SEQ_TOUT_MSB	Timeout for UV faults during powerup and power down.	<a href="#">Go</a>
A6h	SEQ_TOUT_LSB	Timeout for UV faults during powerup and power down.	<a href="#">Go</a>
A8h	SEQ_UP_THLD	Threshold at which AMSK is released (VMON considered on) for power up.	<a href="#">Go</a>
A9h	SEQ_DN_THLD	Threshold at which AMSK is released (VMON considered off) for power down.	<a href="#">Go</a>
AAh	WDT_CFG	Max violation count for WD and Delay multiplier for Start Up Window.	<a href="#">Go</a>
ABh	WDT_CLOSE	Close Window Time.	<a href="#">Go</a>
ACH	WDT_OPEN	Open Window Time.	<a href="#">Go</a>
ADh	WDT_QA_CFG	Feedback/Poly/Seed for Watchdog.	<a href="#">Go</a>
A Eh	WDT_ANSWER	Answer for the Watchdog.	<a href="#">Go</a>
F0h	BANK_SEL	Bank Select.	<a href="#">Go</a>

Complex bit access types are encoded to fit into small table cells. [Table 8-27](#) shows the codes that are used for access types in this section.

**Table 8-27. BANK1 Access Type Codes**

Access Type	Code	Description
Read Type		
R	R	Read
Write Type		

**Table 8-27. BANK1 Access Type Codes (continued)**

Access Type	Code	Description
W	W	Write
Reset or Default Value		
-n		Value after reset or the default value

**8.1.2.1 VMON\_CTL Register (Offset = 10h) [Reset = 20h]**

VMON\_CTL is shown in [Table 8-28](#).

Return to the [Summary Table](#).

VMON device control register.

**Table 8-28. VMON\_CTL Register Field Descriptions**

Bit	Field	Type	Reset	Description
7-5	RSVD	R/W	1h	RSVD
4	FORCE_WDO_LOW	R/W	0h	Force assertion of WDO
3	RESET_PROT	R/W	0h	Reset_Prot = read 0, write 1 to clear Protection registers
2-1	RSVD	R/W	0h	RSVD
0	FORCE_NIRQ_LOW	R/W	0h	Force assertion of NIRQ

**8.1.2.2 VMON\_MISC Register (Offset = 11h) [Reset = 00h]**

VMON\_MISC is shown in [Table 8-29](#).

Return to the [Summary Table](#).

Miscellaneous VMON configurations.

**Table 8-29. VMON\_MISC Register Field Descriptions**

Bit	Field	Type	Reset	Description
7	RSVD	R/W	0h	RSVD
6-4	WDO_DLY[2:0]	R/W	0h	WDO_Delay (not applicable for latched WDO)
3-2	RSVD	R/W	0h	RSVD
1	REQ_PEC	R/W	0h	Require PEC. 0 = PEC not required 1 = PEC required
0	EN_PEC	R/W	0h	Enable PEC. 0 = PEC not enabled 1 = PEC enabled

**8.1.2.3 TEST\_CFG Register (Offset = 12h) [Reset = 00h]**

TEST\_CFG is shown in [Table 8-30](#).

Return to the [Summary Table](#).

Built-In Self Test (BIST) execution configuration.

**Table 8-30. TEST\_CFG Register Field Descriptions**

Bit	Field	Type	Reset	Description
7-3	RSVD	R/W	0h	RSVD
2	AT_SHDN	R/W	0h	Run BIST at SHDN

**Table 8-30. TEST\_CFG Register Field Descriptions (continued)**

Bit	Field	Type	Reset	Description
1	AT_POR[1]	R/W	0h	Run BIST at POR, 2nd bit for redundancy
0	AT_POR[0]	R/W	0h	Run BIST at POR

#### 8.1.2.4 IEN\_UVHF Register (Offset = 13h) [Reset = 00h]

IEN\_UVHF is shown in [Table 8-31](#).

Return to the [Summary Table](#).

High Frequency channel Under-Voltage Interrupt Enable register

**Table 8-31. IEN\_UVHF Register Field Descriptions**

Bit	Field	Type	Reset	Description
7-4	RSVD	R/W	0h	RSVD
3	MON[4]	R/W	0h	UVHF interrupt enable for MON4, 0 = Disable, 1 = Enable
2	MON[3]	R/W	0h	UVHF interrupt enable for MON3, 0 = Disable, 1 = Enable
1	MON[2]	R/W	0h	UVHF interrupt enable for MON2, 0 = Disable, 1 = Enable
0	RSVD	R/W	0h	RSVD

#### 8.1.2.5 IEN\_UVLF Register (Offset = 14h) [Reset = 00h]

IEN\_UVLF is shown in [Table 8-32](#).

Return to the [Summary Table](#).

Low Frequency channel Under-Voltage Interrupt Enable register.

**Table 8-32. IEN\_UVLF Register Field Descriptions**

Bit	Field	Type	Reset	Description
7-4	RSVD	R/W	0h	RSVD
3	MON[4]	R/W	0h	UVLF interrupt enable for MON4, 0 = Disable, 1 = Enable
2	MON[3]	R/W	0h	UVLF interrupt enable for MON3, 0 = Disable, 1 = Enable
1	MON[2]	R/W	0h	UVLF interrupt enable for MON2, 0 = Disable, 1 = Enable
0	RSVD	R/W	0h	RSVD

#### 8.1.2.6 IEN\_OVHF Register (Offset = 15h) [Reset = 00h]

IEN\_OVHF is shown in [Table 8-33](#).

Return to the [Summary Table](#).

High Frequency channel Over-Voltage Interrupt Enable register.

**Table 8-33. IEN\_OVHF Register Field Descriptions**

Bit	Field	Type	Reset	Description
7-4	RSVD	R/W	0h	RSVD
3	MON[4]	R/W	0h	OVHF interrupt enable for MON4, 0 = Disable, 1 = Enable
2	MON[3]	R/W	0h	OVHF interrupt enable for MON3, 0 = Disable, 1 = Enable
1	MON[2]	R/W	0h	OVHF interrupt enable for MON2, 0 = Disable, 1 = Enable
0	RSVD	R/W	0h	RSVD

**8.1.2.7 IEN\_OVLF Register (Offset = 16h) [Reset = 00h]**

IEN\_OVLF is shown in [Table 8-34](#).

Return to the [Summary Table](#).

Low Frequency channel Over-Voltage Interrupt Enable register.

**Table 8-34. IEN\_OVLF Register Field Descriptions**

Bit	Field	Type	Reset	Description
7-4	RSVD	R/W	0h	RSVD
3	MON[4]	R/W	0h	OVLF interrupt enable for MON4, 0 = Disable, 1 = Enable
2	MON[3]	R/W	0h	OVLF interrupt enable for MON3, 0 = Disable, 1 = Enable
1	MON[2]	R/W	0h	OVLF interrupt enable for MON2, 0 = Disable, 1 = Enable
0	RSVD	R/W	0h	RSVD

**8.1.2.8 IEN\_CONTROL Register (Offset = 1Bh) [Reset = 00h]**

IEN\_CONTROL is shown in [Table 8-35](#).

Return to the [Summary Table](#).

Control and Communication Fault Interrupt Enable register.

**Table 8-35. IEN\_CONTROL Register Field Descriptions**

Bit	Field	Type	Reset	Description
7-5	RSVD	R/W	0h	RSVD
4	RT_CRC_Int	R/W	0h	Register Run time CRC (Cyclic Redundancy Checking) error Interrupt is a static CRC performed on the register map content. If enabled there does not need to be any data read or write for this CRC check to occur. The purpose of this CRC is to identify if a static bit flip or random error in the register map content has occurred. This is the safety mechanism is carried out using a CRC-8 polynomial, in the case of a read or write operation the register map content will change and the polynomial is re-calculated with the new value after the changes. Interrupt is reported in INT_CONTROL_F_CRC register of Bank 0. 0 = Disable Interrupt Mapping, 1 = Enable Interrupt Mapping



**Table 8-35. IEN\_CONTROL Register Field Descriptions (continued)**

Bit	Field	Type	Reset	Description
3	RSVD	R/W	0h	RSVD
2	TSD_INT	R/W	0h	Thermal shutdown Interrupt. 0 = Disable, 1 = Enable
1	RSVD	R/W	0h	RSVD
0	PEC_INT	R/W	0h	PEC Error Interrupt. 0 = Disable, 1 = Enable

### 8.1.2.9 IEN\_TEST Register (Offset = 1Ch) [Reset = 00h]

IEN\_TEST is shown in [Table 8-36](#).

Return to the [Summary Table](#).

Internal Test and Configuration Load Fault Interrupt Enable register

**Table 8-36. IEN\_TEST Register Field Descriptions**

Bit	Field	Type	Reset	Description
7-4	RSVD	R/W	0h	RSVD
3	ECC_SEC	R/W	0h	SEC Error Interrupt. 0 = Disable, 1 = Enable
2	RSVD	R/W	0h	RSVD
1	BIST_Complete_INT	R/W	0h	BIST complete Interrupt. 0 = Disable, 1 = Enable
0	BIST_Fail_INT	R/W	0h	BIST Fail Interrupt. 0 = Disable, Enable = 1

### 8.1.2.10 IEN\_VENDOR Register (Offset = 1Dh) [Reset = 00h]

IEN\_VENDOR is shown in [Table 8-37](#).

Return to the [Summary Table](#).

Vendor Specific Internal Interrupt Enable register.

**Table 8-37. IEN\_VENDOR Register Field Descriptions**

Bit	Field	Type	Reset	Description
7	Startup Self-Test_CRC	R/W	0h	Startup Self-Test_CRC Interrupt. 0 = Disable Interrupt Mapping, 1 = Enable Interrupt Mapping
6	RSVD	R/W	0h	RSVD
5	NRST_MISMATCH	R/W	0h	NRST mismatch Interrupt. 0 = Disable Interrupt Mapping, 1 = Enable Interrupt Mapping
4	ESM_TO_WDO	R/W	0h	Maps ESM fault to WDO. 0 = Not mapped 1 = Mapped
3	ESM_TO_NIRQ	R/W	0h	Maps ESM fault to NIRQ. 0 = Not mapped 1 = Mapped

**Table 8-37. IEN\_VENDOR Register Field Descriptions (continued)**

Bit	Field	Type	Reset	Description
2	WDT_TO_NIRQ	R/W	0h	Maps Watchdog fault to NIRQ. 0 = Not mapped 1 = Mapped
1	ESM_TO_NRST	R/W	0h	Maps ESM fault to NRST. 0 = Not mapped 1 = Mapped
0	WDT_TO_NRST	R/W	0h	Maps Watchdog fault to NRST. 0 = Not mapped 1 = Mapped

**8.1.2.11 MON\_CH\_EN Register (Offset = 1Eh) [Reset = 00h]**

MON\_CH\_EN is shown in [Table 8-38](#).

Return to the [Summary Table](#).

Channel Voltage Monitoring Enable.

**Table 8-38. MON\_CH\_EN Register Field Descriptions**

Bit	Field	Type	Reset	Description
7-4	RSVD	R/W	0h	RSVD
3	MON[4]	R/W	0h	Enables MON4 monitoring. 0 = Disabled, 1 = Enabled
2	MON[3]	R/W	0h	Enables MON3 monitoring. 0 = Disabled, 1 = Enabled
1	MON[2]	R/W	0h	Enables MON2 monitoring. 0 = Disabled, 1 = Enabled
0	RSVD	R/W	0h	RSVD

**8.1.2.12 VRANGE\_MULT Register (Offset = 1Fh) [Reset = 00h]**

VRANGE\_MULT is shown in [Table 8-39](#).

Return to the [Summary Table](#).

Channel Voltage Monitoring Range/Scaling.

**Table 8-39. VRANGE\_MULT Register Field Descriptions**

Bit	Field	Type	Reset	Description
7-4	RSVD	R/W	0h	RSVD
3	MON[4]	R/W	0h	Scalar for MON4. 0 = 1x, 1 = 4x
2	MON[3]	R/W	0h	Scalar for MON3. 0 = 1x, 1 = 4x
1	MON[2]	R/W	0h	Scalar for MON2. 0 = 1x, 1 = 4x
0	RSVD	R/W	0h	RSVD

### 8.1.2.13 UV\_HF[2] Register (Offset = 30h) [Reset = 00h]

UV\_HF[2] is shown in [Table 8-40](#).

Return to the [Summary Table](#).

Channel 2 High Frequency channel Under-Voltage threshold.

**Table 8-40. UV\_HF[2] Register Field Descriptions**

Bit	Field	Type	Reset	Description
7-0	THRESHOLD[7:0]	R/W	0h	Undervoltage threshold for High Frequency component of monitored channel. The 8-bit value interpretation depends on the scaling setting in register VRANGE_MULT. With scaling = 1x, the 8-bit value represents the range 0.2V to 1.475 V with 1 LSB = 5 mV. With scaling = 4x, the 8-bit value represents the range 0.8 V to 5.9 V with 1 LSB = 20 mV.

### 8.1.2.14 OV\_HF[2] Register (Offset = 31h) [Reset = 00h]

OV\_HF[2] is shown in [Table 8-41](#).

Return to the [Summary Table](#).

Channel 2 High Frequency channel Over-Voltage threshold.

**Table 8-41. OV\_HF[2] Register Field Descriptions**

Bit	Field	Type	Reset	Description
7-0	THRESHOLD[7:0]	R/W	0h	Overvoltage threshold for High Frequency component of monitored channel. The 8-bit value interpretation depends on the scaling setting in register VRANGE_MULT. With scaling = 1x, the 8-bit value represents the range 0.2V to 1.475 V with 1 LSB = 5 mV. With scaling = 4x, the 8-bit value represents the range 0.8 V to 5.9 V with 1 LSB = 20 mV.

### 8.1.2.15 UV\_LF[2] Register (Offset = 32h) [Reset = 00h]

UV\_LF[2] is shown in [Table 8-42](#).

Return to the [Summary Table](#).

Channel 2 Low Frequency channel Under-Voltage threshold.

**Table 8-42. UV\_LF[2] Register Field Descriptions**

Bit	Field	Type	Reset	Description
7-0	THRESHOLD[7:0]	R/W	0h	Undervoltage threshold for Low Frequency component of monitored channel. The 8-bit value interpretation depends on the scaling setting in register VRANGE_MULT. With scaling = 1x, the 8-bit value represents the range 0.2V to 1.475 V with 1 LSB = 5 mV. With scaling = 4x, the 8-bit value represents the range 0.8 V to 5.9 V with 1 LSB = 20 mV.

### 8.1.2.16 OV\_LF[2] Register (Offset = 33h) [Reset = 00h]

OV\_LF[2] is shown in [Table 8-43](#).

Return to the [Summary Table](#).

Channel 2 Low Frequency channel Over-Voltage threshold.

**Table 8-43. OV\_LF[2] Register Field Descriptions**

Bit	Field	Type	Reset	Description
7-0	THRESHOLD[7:0]	R/W	0h	Overvoltage threshold for Low Frequency component of monitored channel. The 8-bit value interpretation depends on the scaling setting in register VRANGE_MULT. With scaling = 1x, the 8-bit value represents the range 0.2V to 1.475 V with 1 LSB = 5 mV. With scaling = 4x, the 8-bit value represents the range 0.8 V to 5.9 V with 1 LSB = 20 mV.

#### 8.1.2.17 FLT\_HF[2] Register (Offset = 34h) [Reset = 00h]

FLT\_HF[2] is shown in [Table 8-44](#).

Return to the [Summary Table](#).

Channel 2 UV and OV debouncing for High Frequency thresholds comparator output.

**Table 8-44. FLT\_HF[2] Register Field Descriptions**

Bit	Field	Type	Reset	Description
7-4	OV_DEB[3:0]	R/W	0h	Overvoltage comparator output debounce time (dont assert until output is stable for debounce time) for High Frequency monitoring path. 0000b = 0.1 $\mu$ s 1000b = 25.6 $\mu$ s 0001b = 0.2 $\mu$ s 1001b = 51.2 $\mu$ s 0010b = 0.4 $\mu$ s 1010b = 102.4 $\mu$ s 0011b = 0.8 $\mu$ s 1011b = 102.4 $\mu$ s 0100b = 1.6 $\mu$ s 1100b = 102.4 $\mu$ s 0101b = 3.2 $\mu$ s 1101b = 102.4 $\mu$ s 0110b = 6.4 $\mu$ s 1110b = 102.4 $\mu$ s 0111b = 12.8 $\mu$ s 1111b = 102.4 $\mu$ s
3-0	UV_DEB[3:0]	R/W	0h	Undervoltage comparator output debounce time (dont assert until output is stable for debounce time) for High Frequency monitoring path. 0000b = 0.1 $\mu$ s 1000b = 25.6 $\mu$ s 0001b = 0.2 $\mu$ s 1001b = 51.2 $\mu$ s 0010b = 0.4 $\mu$ s 1010b = 102.4 $\mu$ s 0011b = 0.8 $\mu$ s 1011b = 102.4 $\mu$ s 0100b = 1.6 $\mu$ s 1100b = 102.4 $\mu$ s 0101b = 3.2 $\mu$ s 1101b = 102.4 $\mu$ s 0110b = 6.4 $\mu$ s 1110b = 102.4 $\mu$ s 0111b = 12.8 $\mu$ s 1111b = 102.4 $\mu$ s

#### 8.1.2.18 FC\_LF[2] Register (Offset = 35h) [Reset = 00h]

FC\_LF[2] is shown in [Table 8-45](#).

Return to the [Summary Table](#).

Channel 2 Low Frequency Path G(s) Cutoff Frequency (-3 dB point). The register changes the filter properties of the programmable LPF such that the total frequency response G(s) meets these cutoff frequencies.

**Table 8-45. FC\_LF[2] Register Field Descriptions**

Bit	Field	Type	Reset	Description
7-5	RSVD	R/W	0h	RSVD

**Table 8-45. FC\_LF[2] Register Field Descriptions (continued)**

Bit	Field	Type	Reset	Description
4	OVHF_TO_NRST	R/W	0h	Maps MON2 OVHF fault to NRST 0 = Not mapped, 1 = Mapped
3	UVHF_TO_NRST	R/W	0h	Maps MON2 UVHF fault to NRST 0 = Not mapped, 1 = Mapped
2-0	Cut_off_Freq[2:0]	R/W	0h	MON2 Cut of frequency for LF faults filter 000 = Invalid 001 = Invalid 010 = 250Hz 011 = 500Hz 100 = 1kHz 101 = 2kHz 110 = 4kHz 111 = Invalid

#### 8.1.2.19 UV\_HF[3] Register (Offset = 40h) [Reset = 00h]

UV\_HF[3] is shown in [Table 8-46](#).

Return to the [Summary Table](#).

Channel 3 High Frequency channel Under-Voltage threshold.

**Table 8-46. UV\_HF[3] Register Field Descriptions**

Bit	Field	Type	Reset	Description
7-0	THRESHOLD[7:0]	R/W	0h	Undervoltage threshold for High Frequency component of monitored channel. The 8-bit value interpretation depends on the scaling setting in register VRANGE_MULT. With scaling = 1x, the 8-bit value represents the range 0.2V to 1.475 V with 1 LSB = 5 mV. With scaling = 4x, the 8-bit value represents the range 0.8 V to 5.9 V with 1 LSB = 20 mV.

#### 8.1.2.20 OV\_HF[3] Register (Offset = 41h) [Reset = 00h]

OV\_HF[3] is shown in [Table 8-47](#).

Return to the [Summary Table](#).

Channel 3 High Frequency channel Over-Voltage threshold.

**Table 8-47. OV\_HF[3] Register Field Descriptions**

Bit	Field	Type	Reset	Description
7-0	THRESHOLD[7:0]	R/W	0h	Overvoltage threshold for High Frequency component of monitored channel. The 8-bit value interpretation depends on the scaling setting in register VRANGE_MULT. With scaling = 1x, the 8-bit value represents the range 0.2V to 1.475 V with 1 LSB = 5 mV. With scaling = 4x, the 8-bit value represents the range 0.8 V to 5.9 V with 1 LSB = 20 mV.

#### 8.1.2.21 UV\_LF[3] Register (Offset = 42h) [Reset = 00h]

UV\_LF[3] is shown in [Table 8-48](#).

Return to the [Summary Table](#).

Channel 3 Low Frequency channel Under-Voltage threshold.

**Table 8-48. UV\_LF[3] Register Field Descriptions**

Bit	Field	Type	Reset	Description
7-0	THRESHOLD[7:0]	R/W	0h	Undervoltage threshold for Low Frequency component of monitored channel. The 8-bit value interpretation depends on the scaling setting in register VRANGE_MULT. With scaling = 1x, the 8-bit value represents the range 0.2V to 1.475 V with 1 LSB = 5 mV. With scaling = 4x, the 8-bit value represents the range 0.8 V to 5.9 V with 1 LSB = 20 mV.

#### 8.1.2.22 OV\_LF[3] Register (Offset = 43h) [Reset = 00h]

OV\_LF[3] is shown in [Table 8-49](#).

Return to the [Summary Table](#).

Channel 3 Low Frequency channel Over-Voltage threshold.

**Table 8-49. OV\_LF[3] Register Field Descriptions**

Bit	Field	Type	Reset	Description
7-0	THRESHOLD[7:0]	R/W	0h	Overvoltage threshold for Low Frequency component of monitored channel. The 8-bit value interpretation depends on the scaling setting in register VRANGE_MULT. With scaling = 1x, the 8-bit value represents the range 0.2V to 1.475 V with 1 LSB = 5 mV. With scaling = 4x, the 8-bit value represents the range 0.8 V to 5.9 V with 1 LSB = 20 mV.

#### 8.1.2.23 FLT\_HF[3] Register (Offset = 44h) [Reset = 00h]

FLT\_HF[3] is shown in [Table 8-50](#).

Return to the [Summary Table](#).

Channel 3 UV and OV debouncing for High Frequency thresholds comparator output.

**Table 8-50. FLT\_HF[3] Register Field Descriptions**

Bit	Field	Type	Reset	Description
7-4	OV_DEB[3:0]	R/W	0h	Overvoltage comparator output debounce time (dont assert until output is stable for debounce time) for High Frequency monitoring path. 0000b = 0.1 $\mu$ s 1000b = 25.6 $\mu$ s 0001b = 0.2 $\mu$ s 1001b = 51.2 $\mu$ s 0010b = 0.4 $\mu$ s 1010b = 102.4 $\mu$ s 0011b = 0.8 $\mu$ s 1011b = 102.4 $\mu$ s 0100b = 1.6 $\mu$ s 1100b = 102.4 $\mu$ s 0101b = 3.2 $\mu$ s 1101b = 102.4 $\mu$ s 0110b = 6.4 $\mu$ s 1110b = 102.4 $\mu$ s 0111b = 12.8 $\mu$ s 1111b = 102.4 $\mu$ s

**Table 8-50. FLT\_HF[3] Register Field Descriptions (continued)**

Bit	Field	Type	Reset	Description
3-0	UV_DEB[3:0]	R/W	0h	Undervoltage comparator output debounce time (dont assert until output is stable for debounce time) for High Frequency monitoring path. 0000b = 0.1 $\mu$ s 1000b = 25.6 $\mu$ s 0001b = 0.2 $\mu$ s 1001b = 51.2 $\mu$ s 0010b = 0.4 $\mu$ s 1010b = 102.4 $\mu$ s 0011b = 0.8 $\mu$ s 1011b = 102.4 $\mu$ s 0100b = 1.6 $\mu$ s 1100b = 102.4 $\mu$ s 0101b = 3.2 $\mu$ s 1101b = 102.4 $\mu$ s 0110b = 6.4 $\mu$ s 1110b = 102.4 $\mu$ s 0111b = 12.8 $\mu$ s 1111b = 102.4 $\mu$ s

#### 8.1.2.24 FC\_LF[3] Register (Offset = 45h) [Reset = 00h]

FC\_LF[3] is shown in [Table 8-51](#).

Return to the [Summary Table](#).

Channel 3 Low Frequency Path G(s) Cutoff Frequency (-3 dB point). The register changes the filter properties of the programmable LPF such that the total frequency response G(s) meets these cutoff frequencies.

**Table 8-51. FC\_LF[3] Register Field Descriptions**

Bit	Field	Type	Reset	Description
7-5	RSVD	R/W	0h	RSVD
4	OVHF_TO_NRST	R/W	0h	Maps MON3 OVHF fault to NRST 0 = Not mapped, 1 = Mapped
3	UVHF_TO_NRST	R/W	0h	Maps MON3 UVHF fault to NRST 0 = Not mapped, 1 = Mapped
2-0	Cut_off_Freq[2:0]	R/W	0h	MON3 Cut of frequency for LF faults filter 000 = Invalid 001 = Invalid 010 = 250Hz 011 = 500Hz 100 = 1kHz 101 = 2kHz 110 = 4kHz 111 = Invalid

#### 8.1.2.25 UV\_HF[4] Register (Offset = 50h) [Reset = 00h]

UV\_HF[4] is shown in [Table 8-52](#).

Return to the [Summary Table](#).

Channel 4 High Frequency channel Under-Voltage threshold.

**Table 8-52. UV\_HF[4] Register Field Descriptions**

Bit	Field	Type	Reset	Description
7-0	THRESHOLD[7:0]	R/W	0h	Undervoltage threshold for High Frequency component of monitored channel. The 8-bit value interpretation depends on the scaling setting in register VRANGE_MULT. With scaling = 1x, the 8-bit value represents the range 0.2V to 1.475 V with 1 LSB = 5 mV. With scaling = 4x, the 8-bit value represents the range 0.8 V to 5.9 V with 1 LSB = 20 mV.

### 8.1.2.26 OV\_HF[4] Register (Offset = 51h) [Reset = 00h]

OV\_HF[4] is shown in [Table 8-53](#).

Return to the [Summary Table](#).

Channel 4 High Frequency channel Over-Voltage threshold.

**Table 8-53. OV\_HF[4] Register Field Descriptions**

Bit	Field	Type	Reset	Description
7-0	THRESHOLD[7:0]	R/W	0h	Overvoltage threshold for High Frequency component of monitored channel. The 8-bit value interpretation depends on the scaling setting in register VRANGE_MULT. With scaling = 1x, the 8-bit value represents the range 0.2V to 1.475 V with 1 LSB = 5 mV. With scaling = 4x, the 8-bit value represents the range 0.8 V to 5.9 V with 1 LSB = 20 mV.

### 8.1.2.27 UV\_LF[4] Register (Offset = 52h) [Reset = 00h]

UV\_LF[4] is shown in [Table 8-54](#).

Return to the [Summary Table](#).

Channel 4 Low Frequency channel Under-Voltage threshold.

**Table 8-54. UV\_LF[4] Register Field Descriptions**

Bit	Field	Type	Reset	Description
7-0	THRESHOLD[7:0]	R/W	0h	Undervoltage threshold for Low Frequency component of monitored channel. The 8-bit value interpretation depends on the scaling setting in register VRANGE_MULT. With scaling = 1x, the 8-bit value represents the range 0.2V to 1.475 V with 1 LSB = 5 mV. With scaling = 4x, the 8-bit value represents the range 0.8 V to 5.9 V with 1 LSB = 20 mV.

### 8.1.2.28 OV\_LF[4] Register (Offset = 53h) [Reset = 00h]

OV\_LF[4] is shown in [Table 8-55](#).

Return to the [Summary Table](#).

Channel 4 Low Frequency channel Over-Voltage threshold.

**Table 8-55. OV\_LF[4] Register Field Descriptions**

Bit	Field	Type	Reset	Description
7-0	THRESHOLD[7:0]	R/W	0h	Overvoltage threshold for Low Frequency component of monitored channel. The 8-bit value interpretation depends on the scaling setting in register VRANGE_MULT. With scaling = 1x, the 8-bit value represents the range 0.2V to 1.475 V with 1 LSB = 5 mV. With scaling = 4x, the 8-bit value represents the range 0.8 V to 5.9 V with 1 LSB = 20 mV.

### 8.1.2.29 FLT\_HF[4] Register (Offset = 54h) [Reset = 00h]

FLT\_HF[4] is shown in [Table 8-56](#).



Return to the [Summary Table](#).

Channel 4 UV and OV debouncing for High Frequency thresholds comparator output.

**Table 8-56. FLT\_HF[4] Register Field Descriptions**

Bit	Field	Type	Reset	Description
7-4	OV_DEB[3:0]	R/W	0h	Overvoltage comparator output debounce time (dont assert until output is stable for debounce time) for High Frequency monitoring path. 0000b = 0.1 $\mu$ s 1000b = 25.6 $\mu$ s 0001b = 0.2 $\mu$ s 1001b = 51.2 $\mu$ s 0010b = 0.4 $\mu$ s 1010b = 102.4 $\mu$ s 0011b = 0.8 $\mu$ s 1011b = 102.4 $\mu$ s 0100b = 1.6 $\mu$ s 1100b = 102.4 $\mu$ s 0101b = 3.2 $\mu$ s 1101b = 102.4 $\mu$ s 0110b = 6.4 $\mu$ s 1110b = 102.4 $\mu$ s 0111b = 12.8 $\mu$ s 1111b = 102.4 $\mu$ s
3-0	UV_DEB[3:0]	R/W	0h	Undervoltage comparator output debounce time (dont assert until output is stable for debounce time) for High Frequency monitoring path. 0000b = 0.1 $\mu$ s 1000b = 25.6 $\mu$ s 0001b = 0.2 $\mu$ s 1001b = 51.2 $\mu$ s 0010b = 0.4 $\mu$ s 1010b = 102.4 $\mu$ s 0011b = 0.8 $\mu$ s 1011b = 102.4 $\mu$ s 0100b = 1.6 $\mu$ s 1100b = 102.4 $\mu$ s 0101b = 3.2 $\mu$ s 1101b = 102.4 $\mu$ s 0110b = 6.4 $\mu$ s 1110b = 102.4 $\mu$ s 0111b = 12.8 $\mu$ s 1111b = 102.4 $\mu$ s

### 8.1.2.30 FC\_LF[4] Register (Offset = 55h) [Reset = 00h]

FC\_LF[4] is shown in [Table 8-57](#).

Return to the [Summary Table](#).

Channel 4 Low Frequency Path G(s) Cutoff Frequency (-3 dB point). The register changes the filter properties of the programmable LPF such that the total frequency response G(s) meets these cutoff frequencies.

**Table 8-57. FC\_LF[4] Register Field Descriptions**

Bit	Field	Type	Reset	Description
7-5	RSVD	R/W	0h	RSVD
4	OVHF_TO_NRST	R/W	0h	Maps MON4 OVHF fault to NRST 0 = Not mapped, 1 = Mapped
3	UVHF_TO_NRST	R/W	0h	Maps MON4 UVHF fault to NRST 0 = Not mapped, 1 = Mapped
2-0	Cut_off_Freq[2:0]	R/W	0h	MON4 Cut of frequency for LF faults filter 000 = Invalid 001 = Invalid 010 = 250Hz 011 = 500Hz 100 = 1kHz 101 = 2kHz 110 = 4kHz 111 = Invalid

### 8.1.2.31 ESM Register (Offset = 9Eh) [Reset = 00h]

ESM is shown in [Table 8-58](#).

Return to the [Summary Table](#).

ESM threshold time for asserting a fault.

**Table 8-58. ESM Register Field Descriptions**

Bit	Field	Type	Reset	Description
7-0	THRESHOLD[7:0]	R/W	0h	Threshold value representing the ESM delay time (1ms to 864ms)

### 8.1.2.32 TI\_CONTROL Register (Offset = 9Fh) [Reset = 00h]

TI\_CONTROL is shown in [Table 8-59](#).

Return to the [Summary Table](#).

Manual BIST/WD EN/Manual Reset via I2C/ESM deglitch/Reset delay

**Table 8-59. TI\_CONTROL Register Field Descriptions**

Bit	Field	Type	Reset	Description
7	ENTER_BIST	R/W	0h	Manual BIST. 1 = Enter BIST
6	WDT_EN	R/W	0h	Watchdog EN to be used along with hardware WD_EN pin. 1 = Watchdog Enabled, 0 = Watchdog Disabled
5	I2C_MR	R/W	0h	Manual Reset. 1 = Assert NRST low
4-3	ESM_DEB[1:0]	R/W	0h	ESM debounce filter 00 = 10µs 01 = 25µs 10 = 50µs 11 = 100µs
2-0	RST_DLY[2:0]	R/W	0h	Reset delay 000 = 200µs 001 = 1ms 010 = 10ms 011 = 16ms 100 = 20ms 101 = 70ms 110 = 100ms 111 = 200ms

### 8.1.2.33 AMSK\_ON Register (Offset = A1h) [Reset = 00h]

AMSK\_ON is shown in [Table 8-60](#).

Return to the [Summary Table](#).

Auto-mask UVLF, UVHF, and OVHF interrupts on power up transitions.

**Table 8-60. AMSK\_ON Register Field Descriptions**

Bit	Field	Type	Reset	Description
7-4	RSVD	R/W	0h	RSVD
3	MON[4]	R/W	0h	Automask at power on for MON4. 0 = Disabled 1 = Enabled
2	MON[3]	R/W	0h	Automask at power on for MON3. 0 = Disabled 1 = Enabled
1	MON[2]	R/W	0h	Automask at power on for MON2. 0 = Disabled 1 = Enabled

**Table 8-60. AMSK\_ON Register Field Descriptions (continued)**

Bit	Field	Type	Reset	Description
0	RSVD	R/W	0h	RSVD

#### 8.1.2.34 AMSK\_OFF Register (Offset = A2h) [Reset = 00h]

AMSK\_OFF is shown in [Table 8-61](#).

Return to the [Summary Table](#).

Auto-mask UVLF, UVHF, and OVHF interrupts on power down transitions.

**Table 8-61. AMSK\_OFF Register Field Descriptions**

Bit	Field	Type	Reset	Description
7-4	RSVD	R/W	0h	RSVD
3	MON[4]	R/W	0h	Automask at power off for MON4. 0 = Disabled 1 = Enabled
2	MON[3]	R/W	0h	Automask at power off for MON3. 0 = Disabled 1 = Enabled
1	MON[2]	R/W	0h	Automask at power off for MON2. 0 = Disabled 1 = Enabled
0	RSVD	R/W	0h	RSVD

#### 8.1.2.35 SEQ\_TOUT\_MSB Register (Offset = A5h) [Reset = 00h]

SEQ\_TOUT\_MSB is shown in [Table 8-62](#).

Return to the [Summary Table](#).

Timeout for UV faults during powerup and power down.

**Table 8-62. SEQ\_TOUT\_MSB Register Field Descriptions**

Bit	Field	Type	Reset	Description
7-0	MILLISEC[15:8]	R/W	0h	Sequence time out MSB

#### 8.1.2.36 SEQ\_TOUT\_LSB Register (Offset = A6h) [Reset = 00h]

SEQ\_TOUT\_LSB is shown in [Table 8-63](#).

Return to the [Summary Table](#).

Timeout for UV faults during powerup and power down.

**Table 8-63. SEQ\_TOUT\_LSB Register Field Descriptions**

Bit	Field	Type	Reset	Description
7-0	MILLISEC[7:0]	R/W	0h	Sequence time out LSB

#### 8.1.2.37 SEQ\_UP\_THLD Register (Offset = A8h) [Reset = 00h]

SEQ\_UP\_THLD is shown in [Table 8-64](#).

Return to the [Summary Table](#).

Threshold at which AMSK is released (VMON considered on) for power up.

**Table 8-64. SEQ\_UP\_THLD Register Field Descriptions**

Bit	Field	Type	Reset	Description
7-4	RSVD	R/W	0h	RSVD
3	MON[4]	R/W	0h	AMSK releases at UVLF or OFF threshold for MON4. 0 = off threshold, 1 = UVLF threshold
2	MON[3]	R/W	0h	AMSK releases at UVLF or OFF threshold for MON3. 0 = off threshold, 1 = UVLF threshold
1	MON[2]	R/W	0h	AMSK releases at UVLF or OFF threshold for MON2. 0 = off threshold, 1 = UVLF threshold
0	RSVD	R/W	0h	RSVD

**8.1.2.38 SEQ\_DN\_THLD Register (Offset = A9h) [Reset = 00h]**

SEQ\_DN\_THLD is shown in [Table 8-65](#).

Return to the [Summary Table](#).

Threshold at which AMSK is released (VMON considered off) for power down.

**Table 8-65. SEQ\_DN\_THLD Register Field Descriptions**

Bit	Field	Type	Reset	Description
7-4	RSVD	R/W	0h	RSVD
3	MON[4]	R/W	0h	AMSK releases at UVLF or OFF threshold for MON4. 0 = off threshold, 1 = UVLF threshold
2	MON[3]	R/W	0h	AMSK releases at UVLF or OFF threshold for MON3. 0 = off threshold, 1 = UVLF threshold
1	MON[2]	R/W	0h	AMSK releases at UVLF or OFF threshold for MON2. 0 = off threshold, 1 = UVLF threshold
0	RSVD	R/W	0h	RSVD

**8.1.2.39 WDT\_CFG Register (Offset = AAh) [Reset = 00h]**

WDT\_CFG is shown in [Table 8-66](#).

Return to the [Summary Table](#).

Max violation count for WD and Delay multiplier for Start Up Window.

**Table 8-66. WDT\_CFG Register Field Descriptions**

Bit	Field	Type	Reset	Description
7	RSVD	R/W	0h	RSVD
6-4	MAX_VIOLATION_COUNT	R/W	0h	Max violation count for Watchdog 000 = 0 001 = 1 010 = 2 011 = 3 100 = 4 101 = 5 110 = 6 111 = 7
3	RSVD	R/W	0h	RSVD

**Table 8-66. WDT\_CFG Register Field Descriptions (continued)**

Bit	Field	Type	Reset	Description
2-0	WDT_Startup_DLY_MULT IPLIER[2:0]	R/W	0h	Watchdog Startup delay multiplier 000 = 0 001 = 1 010 = 2 011 = 3 100 = 4 101 = 5 110 = 6 111 = 7

#### 8.1.2.40 WDT\_CLOSE Register (Offset = ABh) [Reset = 00h]

WDT\_CLOSE is shown in [Table 8-67](#).

Return to the [Summary Table](#).

Close Window Time.

**Table 8-67. WDT\_CLOSE Register Field Descriptions**

Bit	Field	Type	Reset	Description
7-0	CLOSE[7:0]	R/W	0h	Close window time (1ms to 864ms)

#### 8.1.2.41 WDT\_OPEN Register (Offset = ACh) [Reset = 00h]

WDT\_OPEN is shown in [Table 8-68](#).

Return to the [Summary Table](#).

Open Window Time.

**Table 8-68. WDT\_OPEN Register Field Descriptions**

Bit	Field	Type	Reset	Description
7-0	OPEN[7:0]	R/W	0h	Open window time (1ms to 864ms)

#### 8.1.2.42 WDT\_QA\_CFG Register (Offset = ADh) [Reset = 00h]

WDT\_QA\_CFG is shown in [Table 8-69](#).

Return to the [Summary Table](#).

FeedbackPolt/Seed for Watchdog.

**Table 8-69. WDT\_QA\_CFG Register Field Descriptions**

Bit	Field	Type	Reset	Description
7-6	FDBK[1:0]	R/W	0h	Feedback used for computing answer
5-4	POLY[1:0]	R/W	0h	Poly used for computing answer
3-0	SEED[3:0]	R/W	0h	Seed used for computing answer

#### 8.1.2.43 WDT\_ANSWER Register (Offset = AEh) [Reset = 00h]

WDT\_ANSWER is shown in [Table 8-70](#).

Return to the [Summary Table](#).

Answer for the Watchdog.

**Table 8-70. WDT\_ANSWER Register Field Descriptions**

Bit	Field	Type	Reset	Description
7-0	ANSWER[7:0]	R/W	0h	Answer

**8.1.2.44 BANK\_SEL Register (Offset = F0h) [Reset = 00h]**

BANK\_SEL is shown in [Table 8-71](#).

Return to the [Summary Table](#).

Bank Select.

**Table 8-71. BANK\_SEL Register Field Descriptions**

Bit	Field	Type	Reset	Description
7-1	RSVD	R/W	0h	RSVD
0	BANK_Select	R/W	0h	Represents bank selection. 0 = Bank 0 1 = Bank 1

## 9 Application and Implementation

---

### Note

Information in the following applications sections is not part of the TI component specification, and TI does not warrant its accuracy or completeness. TI's customers are responsible for determining suitability of components for their purposes. Customers should validate and test their design implementation to confirm system functionality.

---

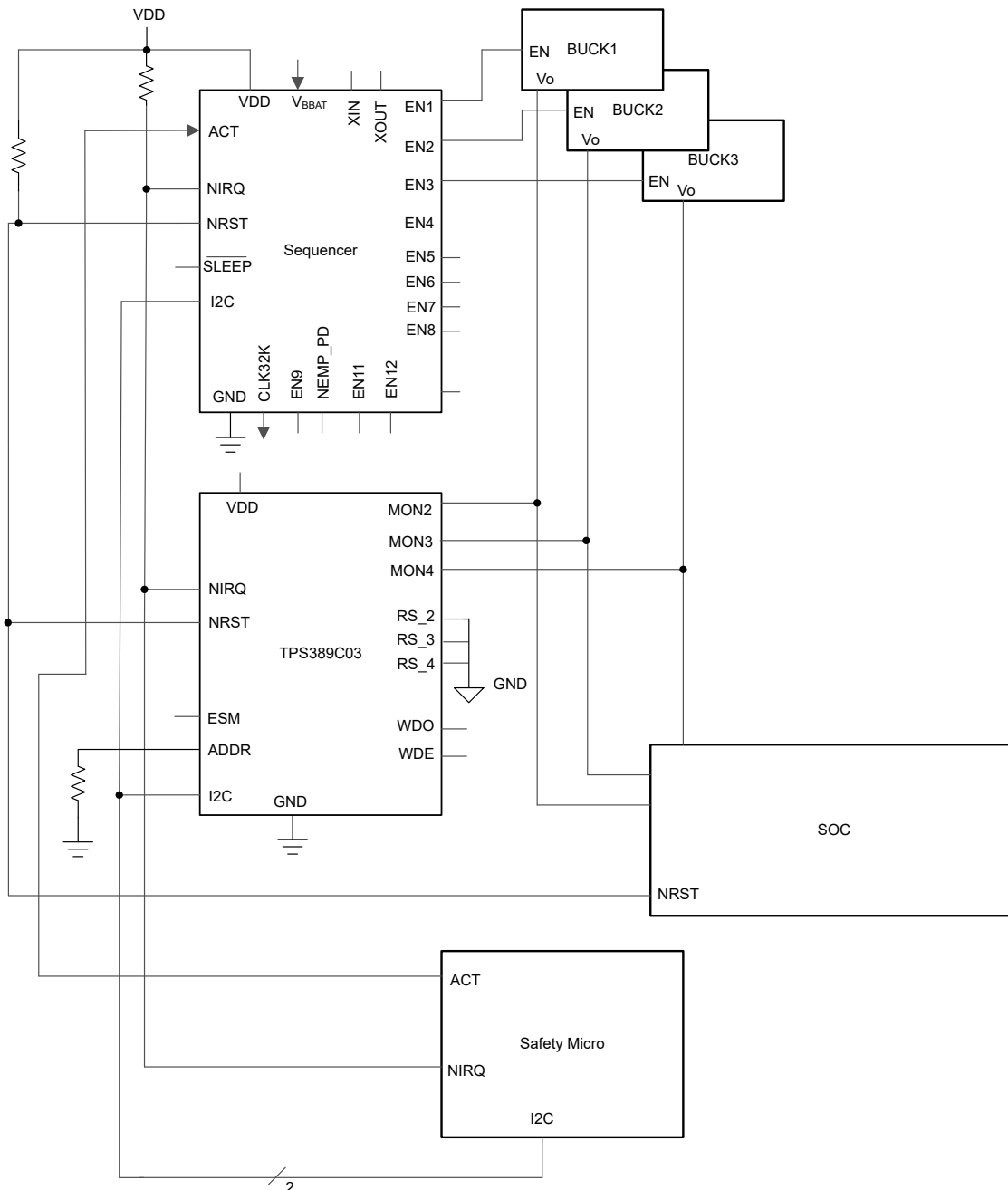
### 9.1 Application Information

Modern SOC and FPGA devices typically have multiple power rails to provide power to the different blocks within the IC. Accurate voltage level and timing requirements are common and must be met to provide proper operation of these devices. By utilizing TPS389C03-Q1 along with a multichannel voltage sequencer, the power up and power down sequencing requirements as well as the core voltage requirements of the target SOC or FPGA device can be met. This design focuses on meeting the timing requirements for an SOC by using the TPS389C03-Q1.

## 9.2 Typical Application

### 9.2.1 Automotive Multichannel Sequencer and Monitor

A typical application for the TPS389C03-Q1 is shown in [Figure 9-1](#). TPS389C03-Q1 is used to provide the proper voltage monitoring for the target SOC device. A multichannel voltage monitor TPS389C03-Q1 is used to monitor the voltage rails as these rails power up and power down to ensure that the correct sequence occurs in both occasions. A safety microcontroller is also used to provide ACT, NIRQ, and I<sup>2</sup>C commands to the TPS389C03-Q1 and sequencer. The ACT signal from the safety microcontroller determines when the TPS389C03-Q1 enters into ACTIVE or SHDN states while the NIRQ pin of the TPS389C03-Q1 acts as an interrupt pin that is set when a fault has occurred. The host microcontroller can clear the fault by writing 1 to the affected register. The power rails for the safety microcontroller are not shown in [Figure 9-1](#) for simplicity.



**Figure 9-1. TPS389C03-Q1 Voltage Monitor Design Block Diagram**



### **9.2.2 Design Requirements**

- Three different voltage rails supplied by DC/DC converters need to be properly monitored in this design.
- All detected failures in sequencing should be reported via an external hardware interrupt signal.
- All detected failures should be logged in internal registers and be accessible to an external processor via I<sup>2</sup>C.

### **9.2.3 Detailed Design Procedure**

- TPS389C03-Q1 device option comes preprogrammed with default values for over voltage, under voltage.
- NIRQ pin requires a pull up resistor in the range of 1k $\Omega$  to 100k $\Omega$ .
- NRST pin requires a pull up resistor in the range of 1k $\Omega$  to 100k $\Omega$ .
- WDO pin requires a pull up resistor in the range of 1k $\Omega$  to 100k $\Omega$ .
- SDA and SCL lines require pull up resistors in the range of 10k $\Omega$ .
- The safety microcontroller is used to clear fault interrupts reported through the NIRQ interrupt pin and the INT\_SCR1 and INT\_SCR2 registers. The interrupt flags can only be cleared by the host microcontroller with a write-1-to-clear operation; interrupt flags are not automatically cleared if the fault condition is no longer present.

### 9.2.4 Application Curves

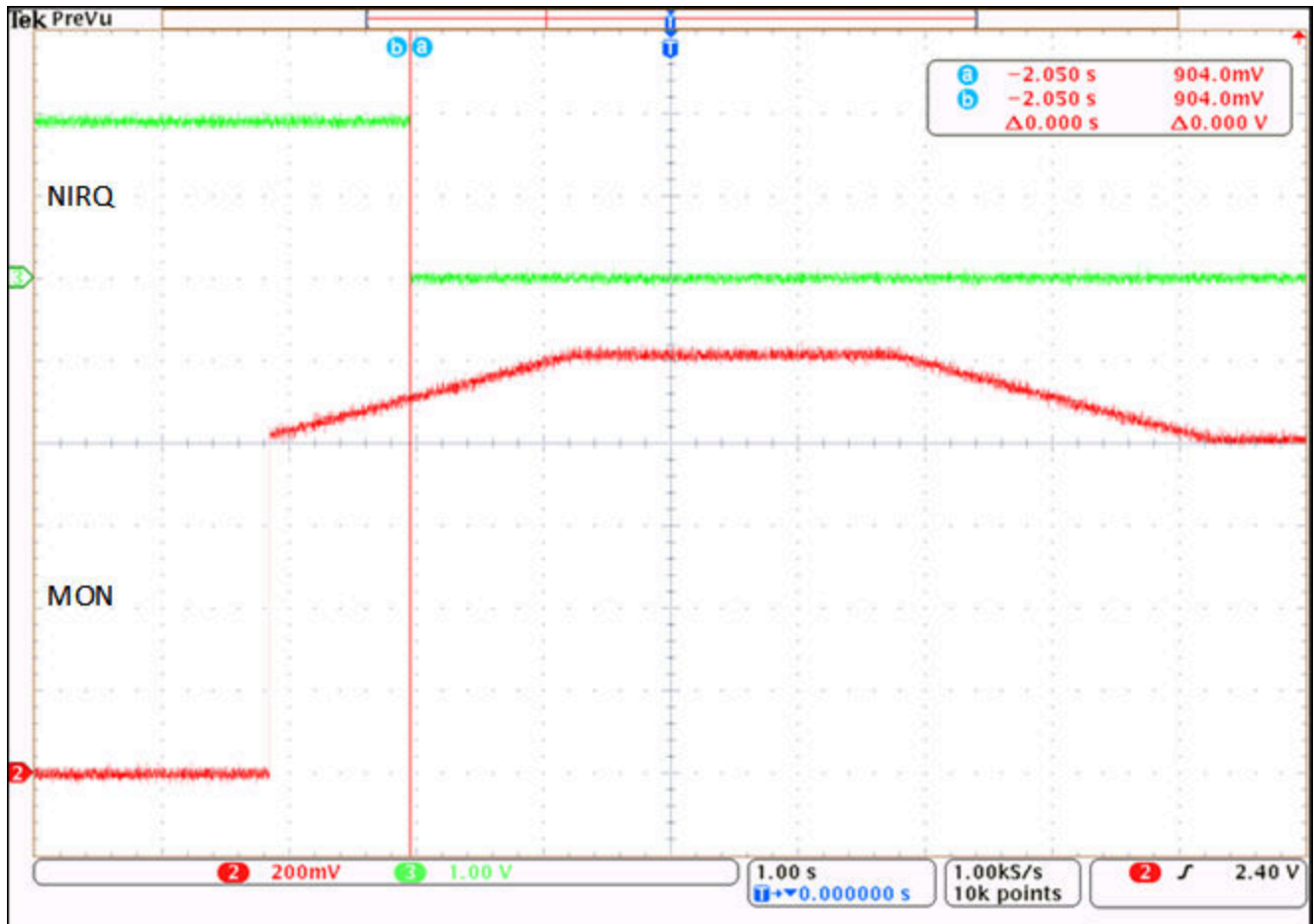


Figure 9-2. NIRQ Triggered After an Overvoltage Fault

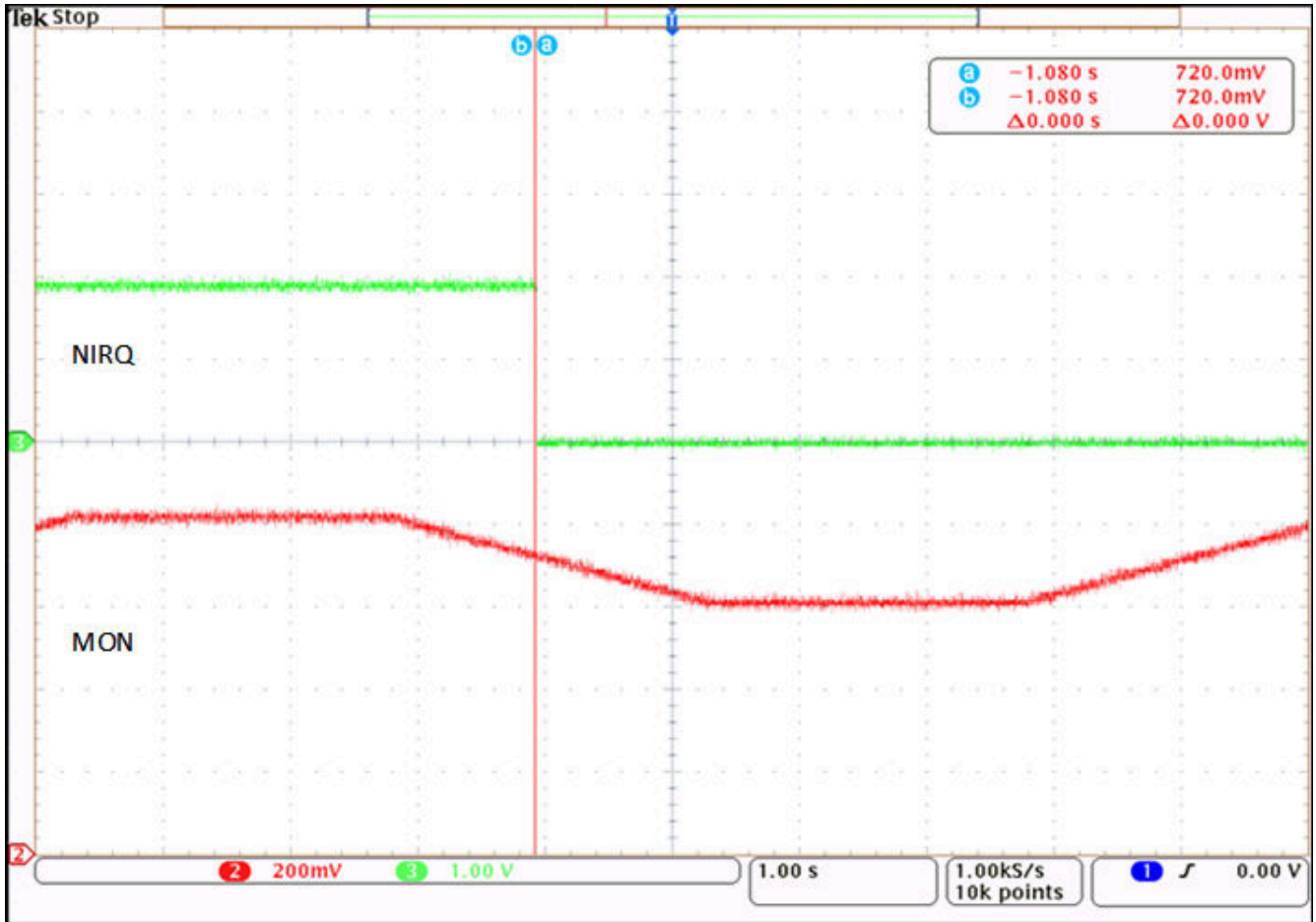


Figure 9-3. NIRQ Triggered After an Undervoltage Fault

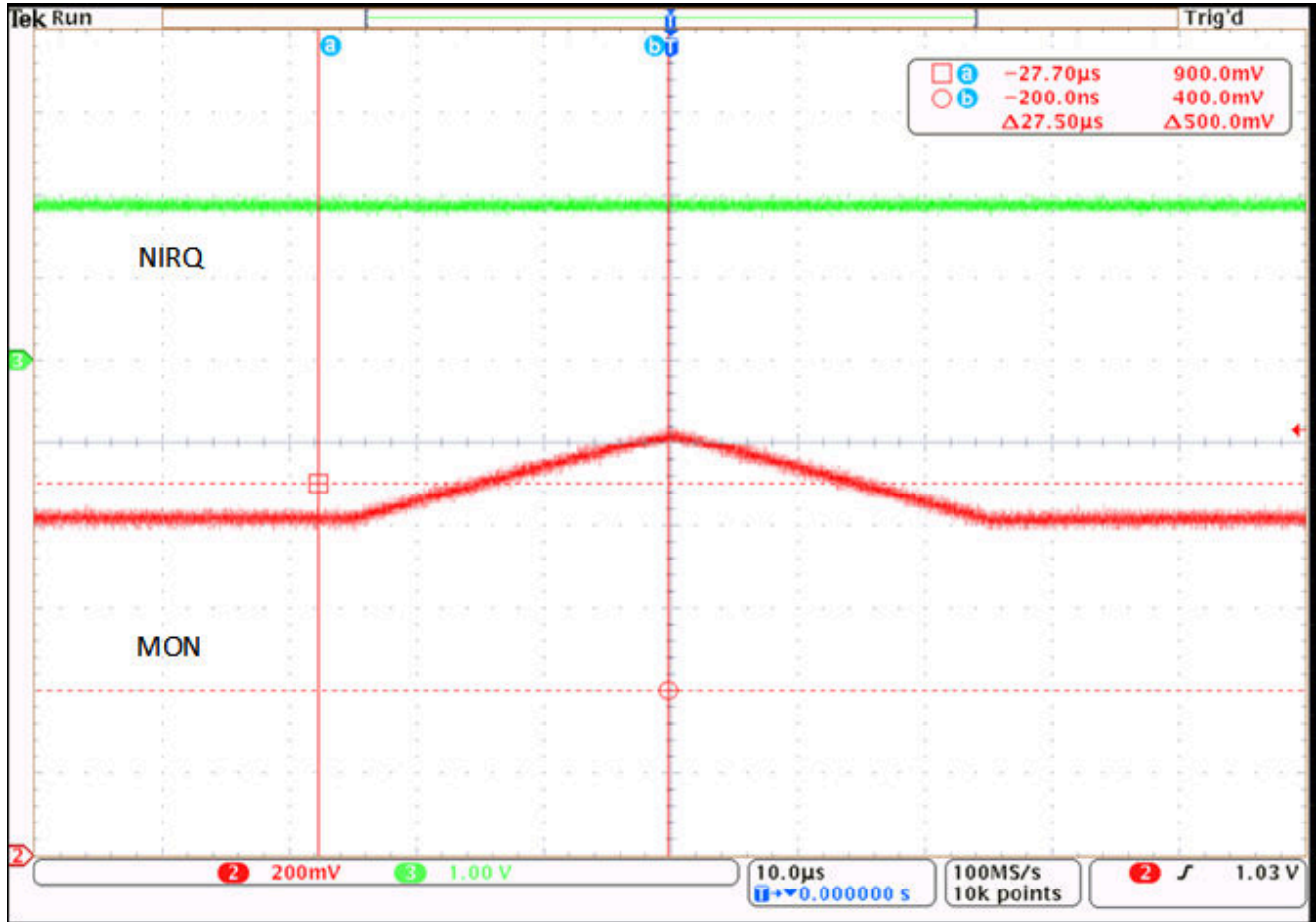


Figure 9-4. NIRQ Not Triggered on Overvoltage Fault with 51.2 us OV Debounce Filter

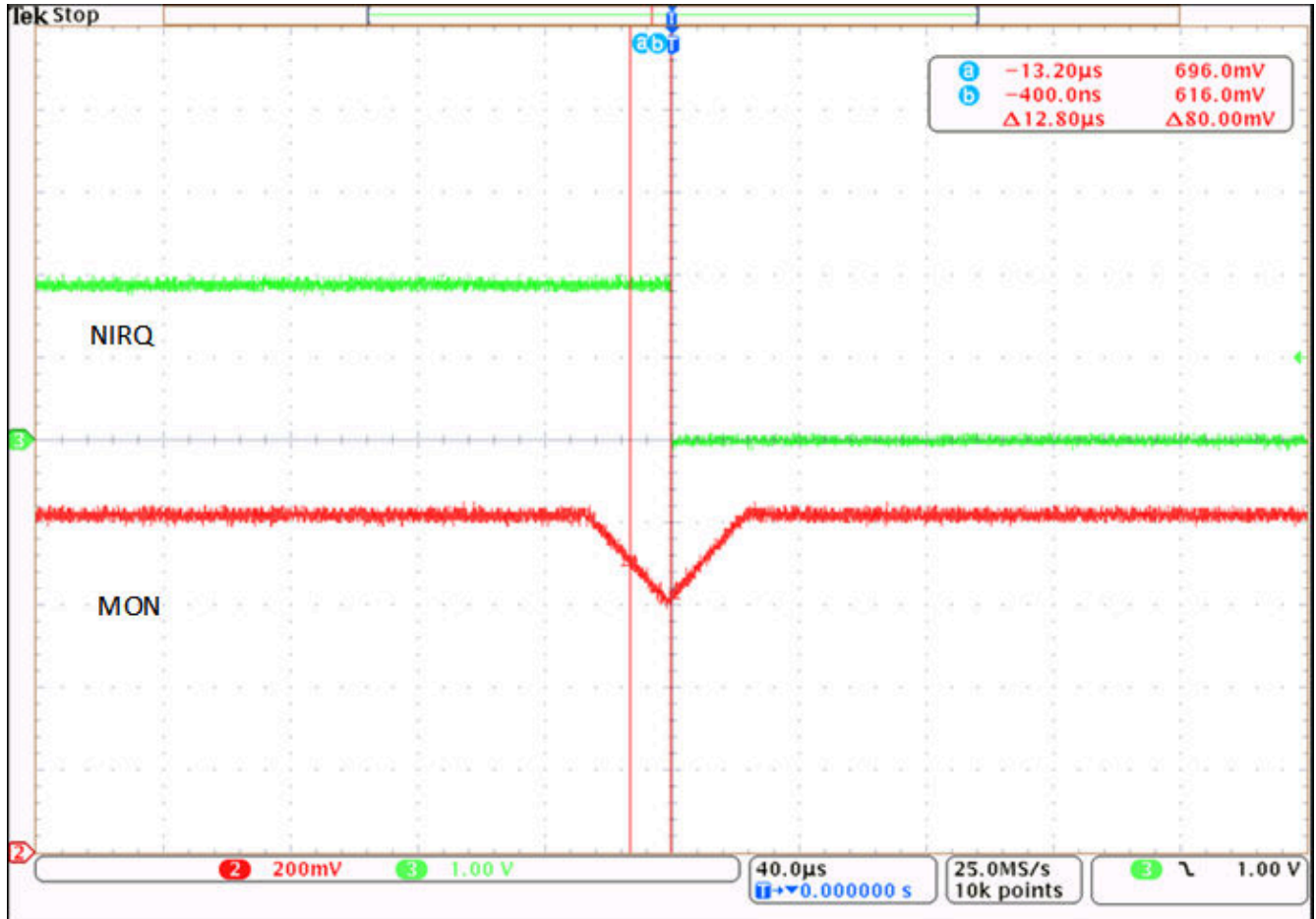


Figure 9-5. NIRQ Triggered on Undervoltage Fault with 12.8 us UV Debounce Filter

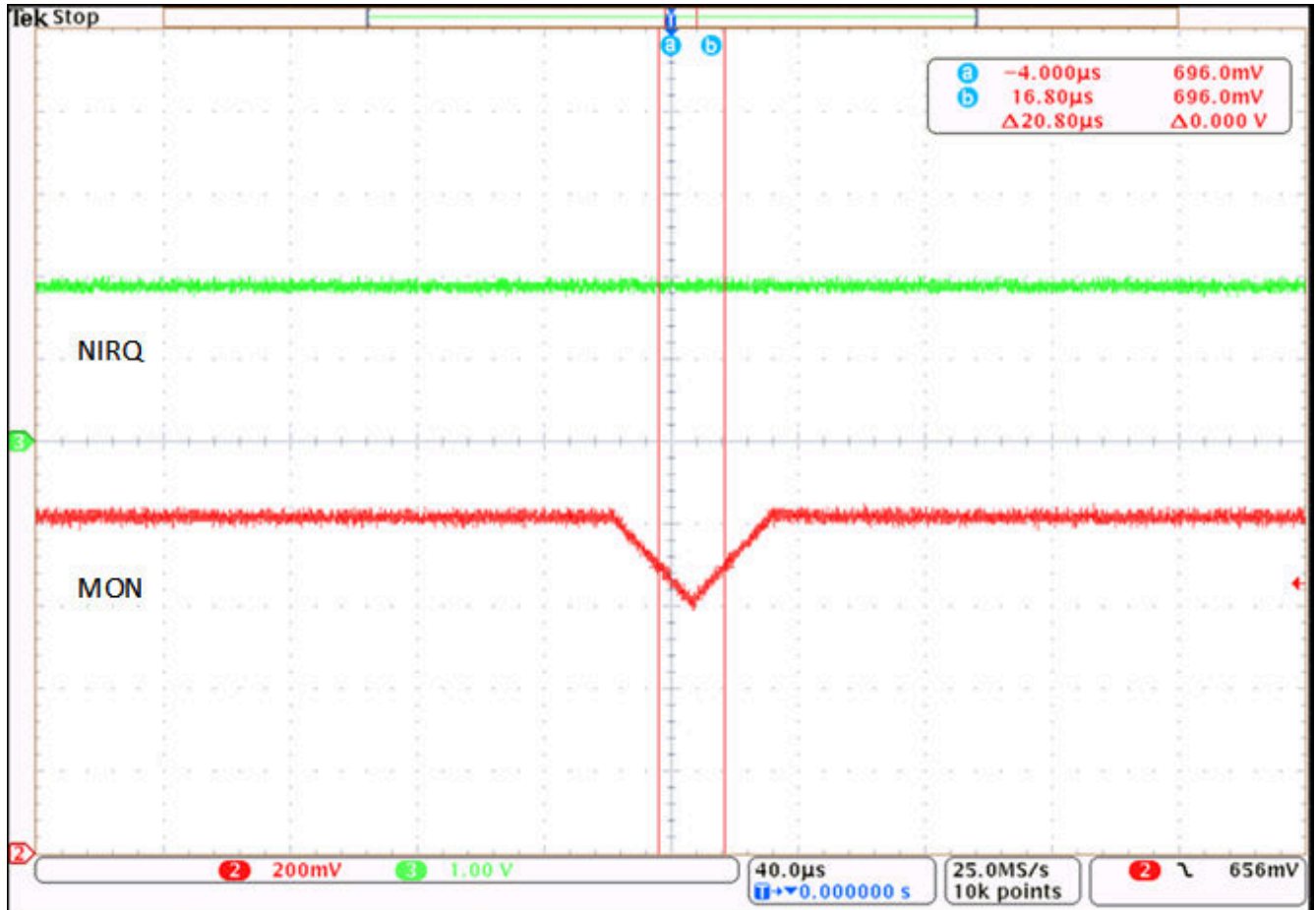
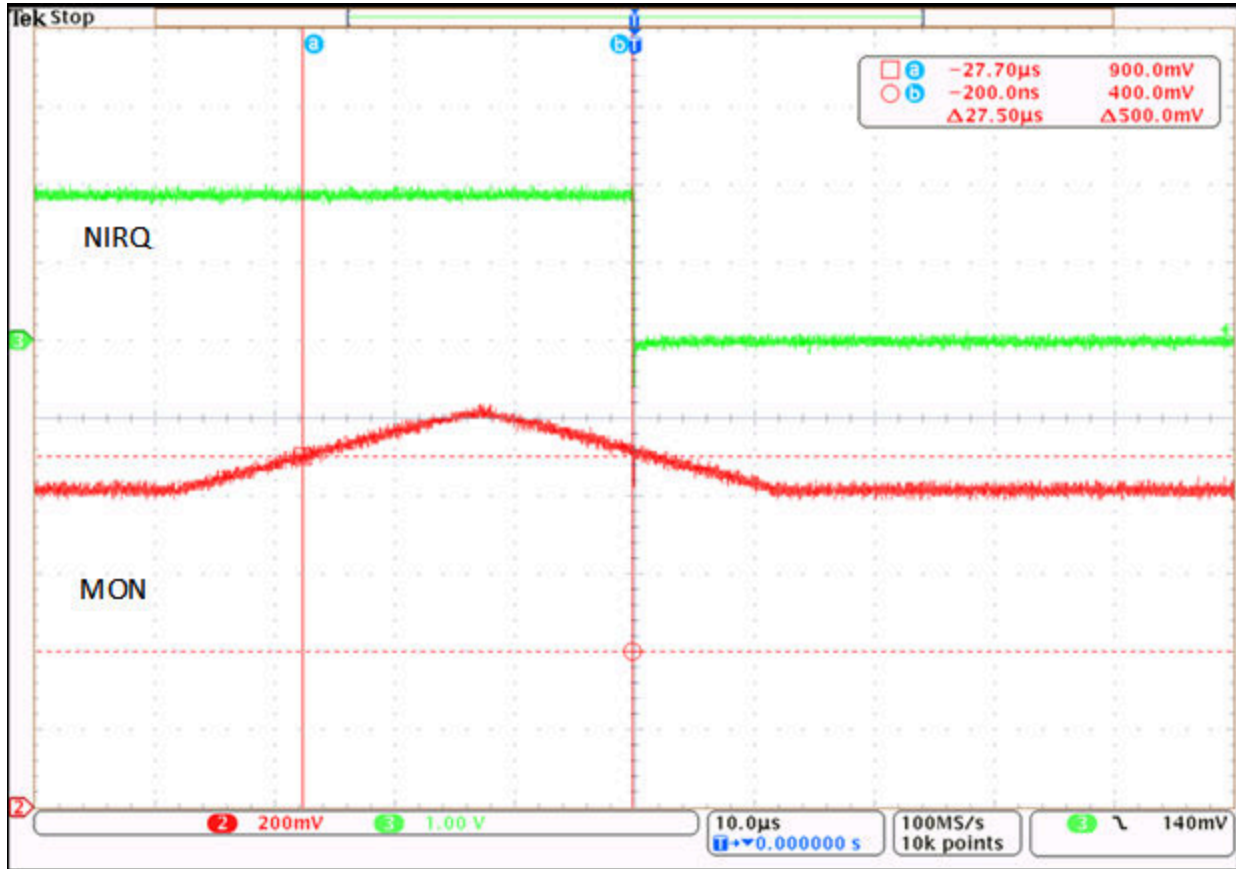


Figure 9-6. NIRQ Not Triggered on Undervoltage Fault with 25 us UV Debounce Filter



**Figure 9-7. NIRQ Triggered on Overvoltage Fault with 25 us OV Debounce Filter**

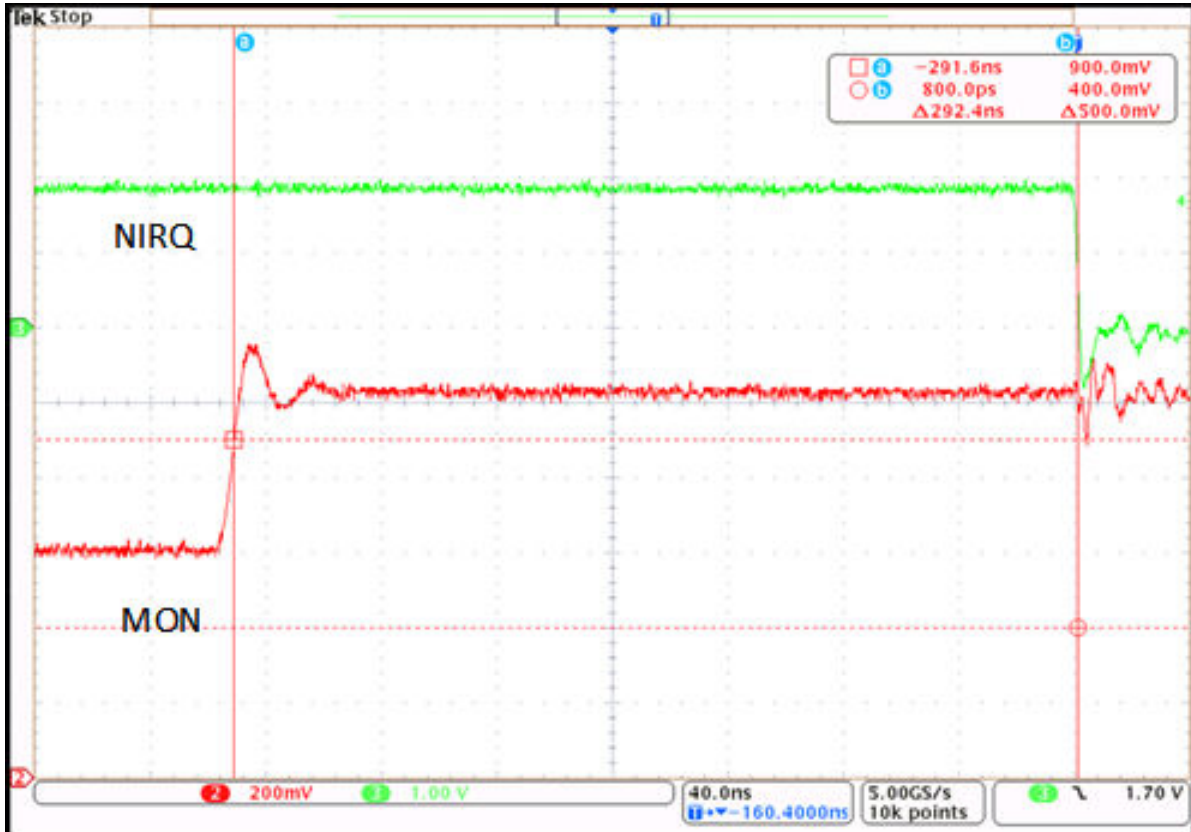


Figure 9-8. NIRQ Propogation Delay Resulting from Overvoltage Fault



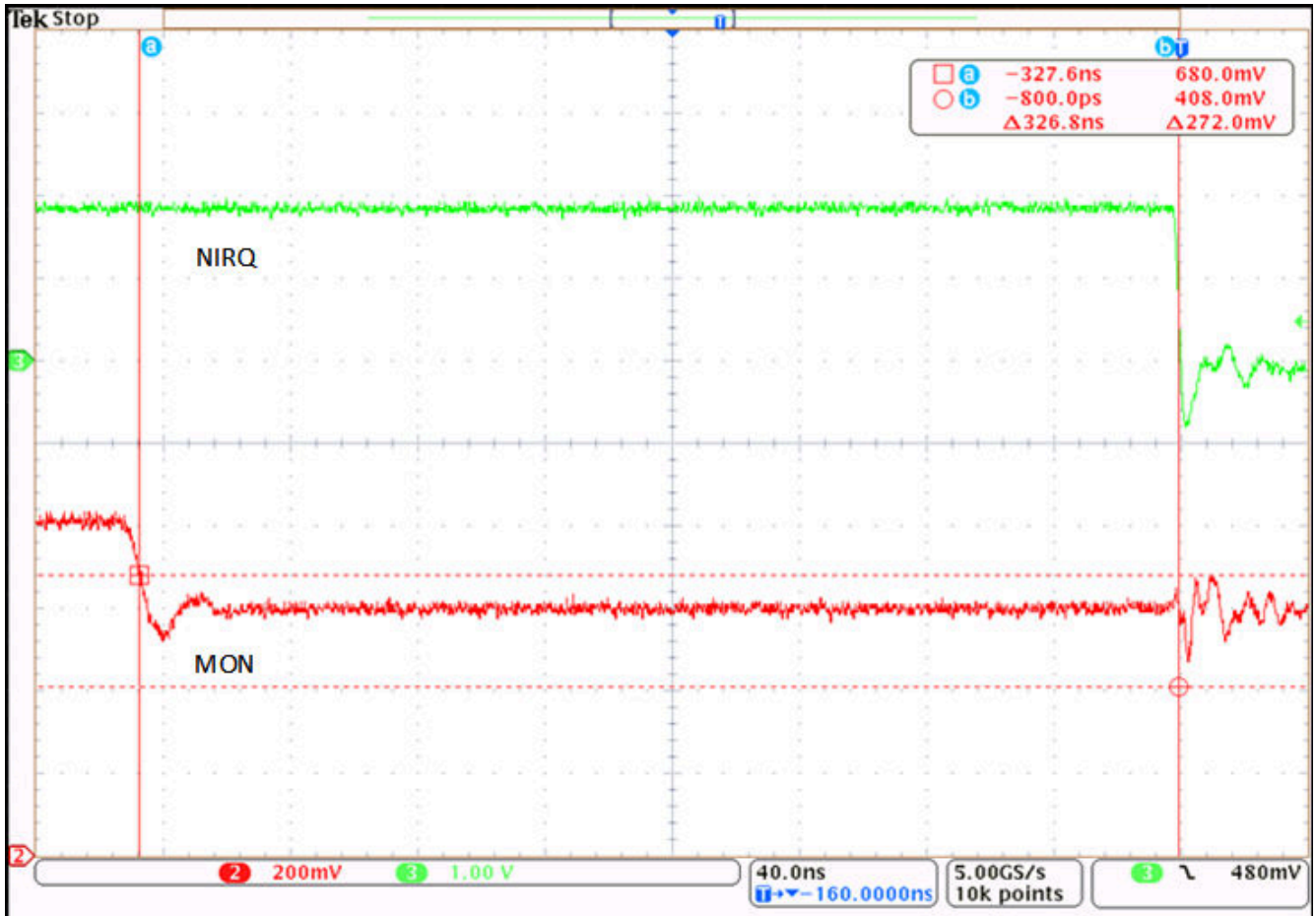
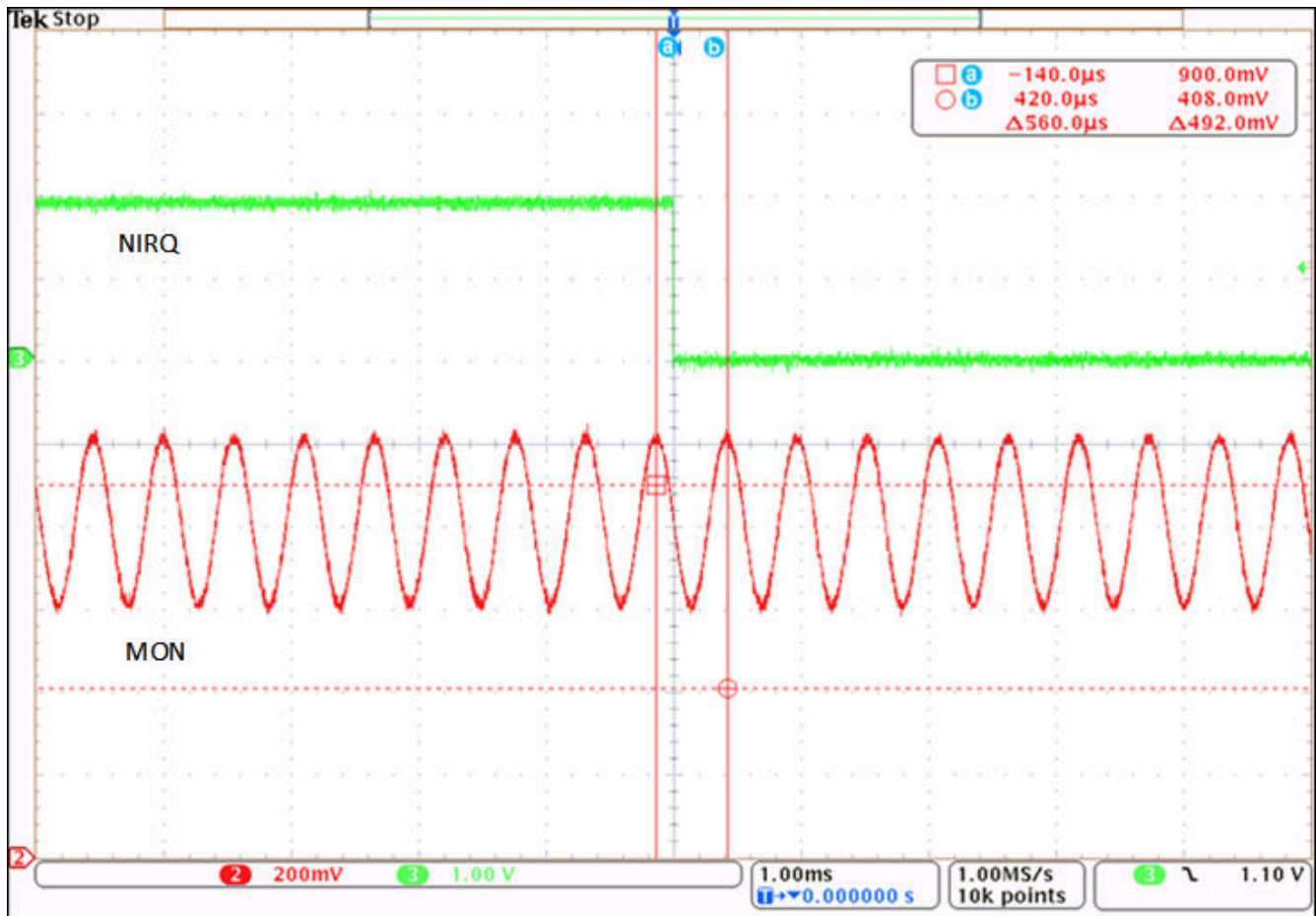
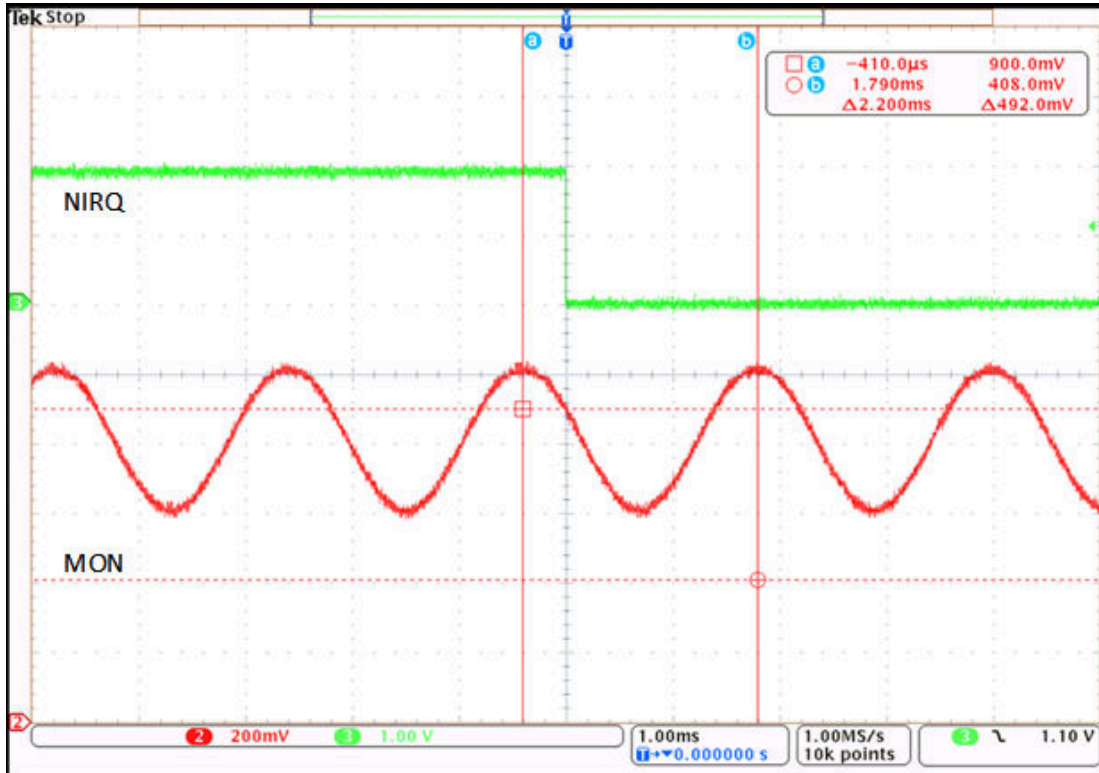


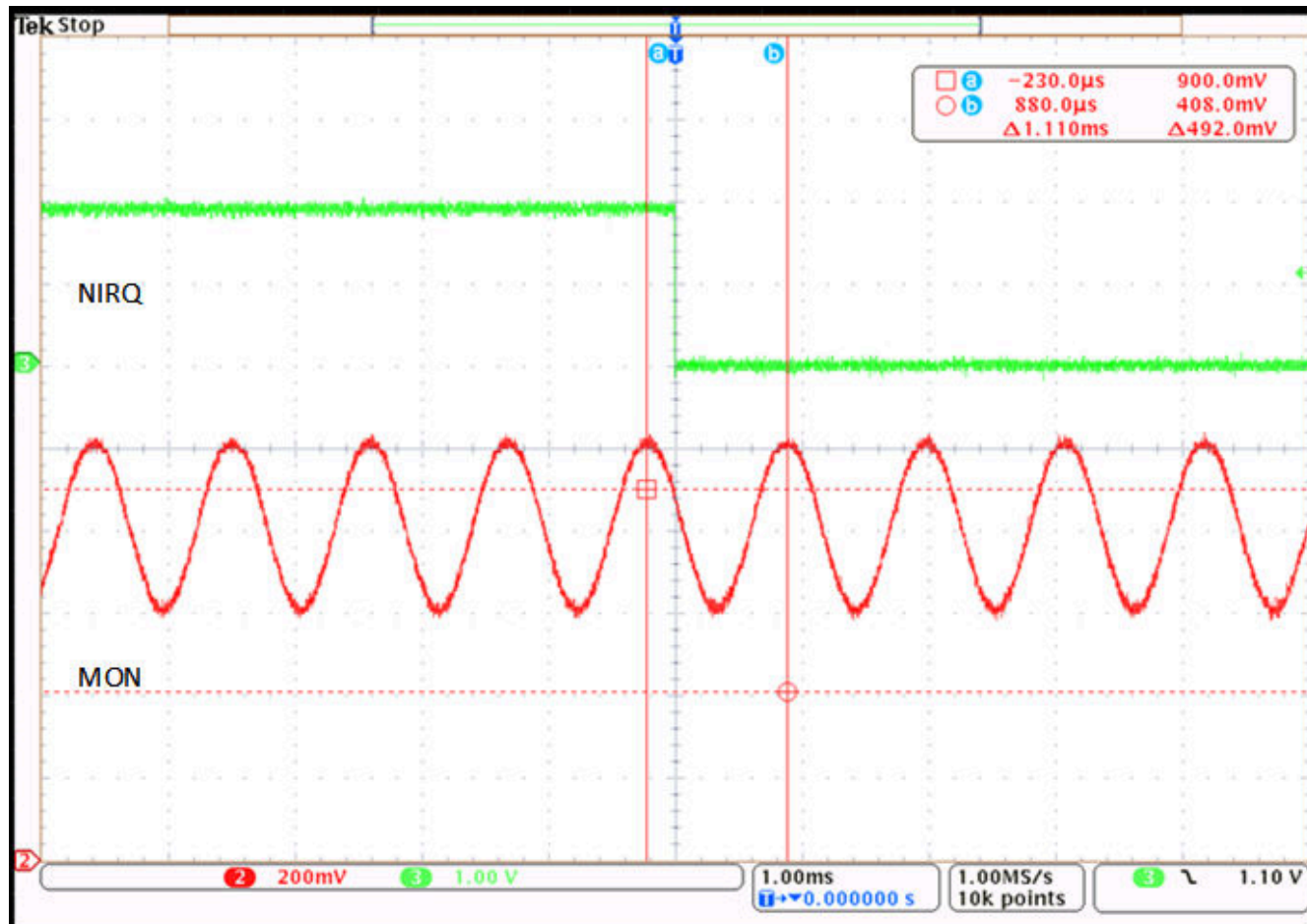
Figure 9-9. NIRQ Propagation Delay Resulting from Undervoltage Fault



**Figure 9-10. 1kHz Low Pass Filter Setting. NIRQ Triggered at 1.8kHz Signal with a 0.8V DC Component and 200mVp-p AC Signal. OV and UV Thresholds Set to 0.9V and 0.7V. Reduced the Frequency From 2kHz Until the NIRQ Pin Went Low.**



**Figure 9-11. 250Hz Low Pass Filter setting. NIRQ Triggered at 455Hz Signal With a 0.8V DC Component and 200mVp-p AC Signal. OV and UV Thresholds Set to 0.9V and 0.7V. Reduced the Frequency From 500Hz Until the NIRQ Pin Went Low.**



**Figure 9-12. 500Hz Low Pass Filter Setting. NIRQ Triggered at 0.9kHz Signal With a 0.8V DC Component and 200mVp-p AC Signal. OV and UV Thresholds Set to 0.9V and 0.7V. Reduced the Frequency From 1kHz Until the NIRQ Pin Went Low.**

## 9.3 Power Supply Recommendations

### 9.3.1 Power Supply Guidelines

This device is designed to operate from an input supply with a voltage range between 2.6V to 5.5V. This device has a 6V absolute maximum rating on the VDD pin. Good analog practice is to place a 0.1µF to 1µF capacitor between the VDD pin and the GND pin depending on the input voltage supply noise. If the voltage supply providing power to VDD is susceptible to any large voltage transient that exceed maximum specifications, additional precautions must be taken. See [SNVA849](#) for more information.

## 9.4 Layout

### 9.4.1 Layout Guidelines

- Place the external components as close to the device as possible. This configuration prevents parasitic errors from occurring.
- Avoid using long traces for the VDD supply node. The VDD capacitor, along with parasitic inductance from the supply to the capacitor, can form an LC circuit and create ringing with peak voltages above the maximum VDD voltage.
- Avoid using long traces of voltage to the MON pin. Long traces increase parasitic inductance and cause inaccurate monitoring and diagnostics.

- If differential voltage sensing is required for MON2 and/or MON3 and/or MON4 route RS\_2,3,4 pin to the point of measurement. If RS\_2,3,4 are not routed to the point of measurement, then route RS\_2,3,4 to the GND pin of the device.
- Do not run sensitive analog traces in parallel with digital traces. Avoid crossing digital and analog traces if possible, and only make perpendicular crossings when absolutely necessary.
- For logic pins such as WD\_EN and ESM, make sure the correct pull-up/down voltage is applied as per device logic levels for the associated functionality.
- For open-drain outputs like WDO, NIRQ, and NRST, select a pull-up resistor value such that the absolute maximum ratings of the device are not violated.

#### 9.4.2 Layout Example

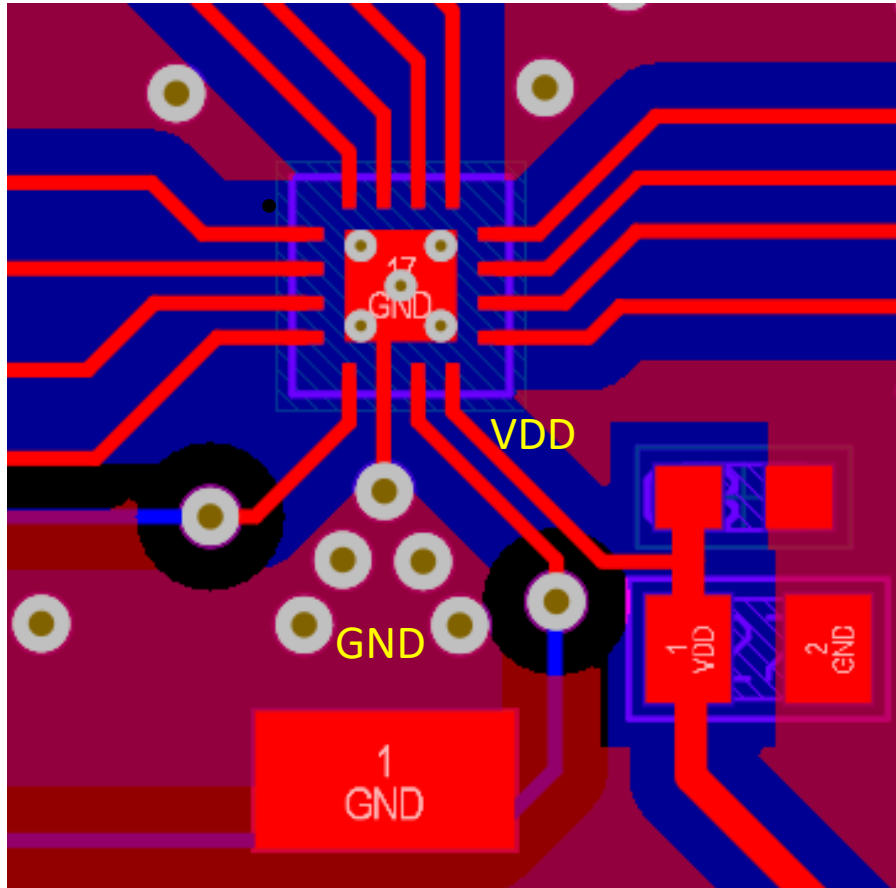


Figure 9-13. Recommended Layout

## 10 Device and Documentation Support

### 10.1 Device Nomenclature

Table 10-1 shows how to decode the function of the device based on the part number.

**Table 10-1. Device Thresholds**

ORDERING CODE	Description
TPS389C0300CRTERQ1	3 Monitors, Q&A Watchdog, ESM

**Table 10-2. TPS389C0300CRTERQ1 OTP Configuration**

ADDR	DATA	Configuration Description
0x00	0x28	DEVICE_MODEL[7:3] and VENDOR_ID[2:0]
0x01	0x43	SILICON_REV[7:6] and OTP_REV[5:0]
0x02	0xF1	Channels disabled. MON2, 3, 4 enabled.
0x11	0x0C	WDO_DLY not applicable for latched WDO configuration
0x12	0x03	BIST at POR
0x13	0x06	Enable UVHF Mon2,3
0x14	0x06	Enable UVLF Mon2,3
0x15	0x06	Enable OVHF Mon2,3
0x16	0x06	Enable OVLF Mon2,3
0x1B	0x04	Thermal Shut Down Interrupt Enable
0x1C	0x01	Bist Fail Interrupt
0x1D	0x25	NRST MISMATCH, WDT → NIRQ, WDT → NRST, ESM → WDO not Mapped, ESM → NIRQ not Mapped, ESM → NRST not Mapped
0x1E	0x06	Enable Mon2,3
0x1F	0x06	Mon2,3 x4 Scaling
0x30	0xBC	4.56V UVHF Threshold Mon2
0x31	0xE8	5.44V OVHF Threshold Mon2
0x32	0xBC	4.56V UVLF Threshold Mon2
0x33	0xE8	5.44V OVLF Threshold Mon2
0x34	0xAA	102.4µs De-Bounce
0x35	0x1C	O VHF → NRST, UVHF → NRST, 1kHz LF Cutoff
0x40	0x6F	3.02V UVHF Threshold Mon3
0x41	0x8C	3.6V OVHF Threshold Mon3
0x42	0x6F	3.02V UVLF Threshold Mon3
0x43	0x8C	3.6V OVLF Threshold Mon3
0x44	0xAA	102.4µs De-bounce
0x45	0x1C	O VHF → NRST, UVHF → NRST, 1kHz LF Cutoff
0X9E	0x01	ESM Threshold = 2ms
0X9F	0x59	Reset Delay 1ms, WD EN
0xA1	0x06	AMSK ON MON2,3
0xA2	0x06	AMSK OFF MON2,3
0xA5,6	0x00	SEQ Timeout = 1ms
0xA8	0x06	SEQ UP Mon2,3 UVLF
0xA9	0x06	SEQ DOWN Mon2,3 UVLF

**Table 10-2. TPS389C0300CRTERQ1 OTP Configuration (continued)**

ADDR	DATA	Configuration Description
0xAA	0x27	WD Violation Count = 2, WD Delay = 7
0xAB	0x1D	WD Close = 30ms
0xAC	0x1D	WD Open = 30ms
0xFA	0x00	3.3V I2C interface

## 10.2 Documentation Support

### 10.3 Receiving Notification of Documentation Updates

To receive notification of documentation updates, navigate to the device product folder on [ti.com](http://ti.com). Click on *Notifications* to register and receive a weekly digest of any product information that has changed. For change details, review the revision history included in any revised document.

### 10.4 Support Resources

[TI E2E™ support forums](#) are an engineer's go-to source for fast, verified answers and design help — straight from the experts. Search existing answers or ask your own question to get the quick design help you need.

Linked content is provided "AS IS" by the respective contributors. They do not constitute TI specifications and do not necessarily reflect TI's views; see TI's [Terms of Use](#).

### 10.5 Trademarks

TI E2E™ is a trademark of Texas Instruments.

All trademarks are the property of their respective owners.

### 10.6 Electrostatic Discharge Caution



This integrated circuit can be damaged by ESD. Texas Instruments recommends that all integrated circuits be handled with appropriate precautions. Failure to observe proper handling and installation procedures can cause damage.

ESD damage can range from subtle performance degradation to complete device failure. Precision integrated circuits may be more susceptible to damage because very small parametric changes could cause the device not to meet its published specifications.

### 10.7 Glossary

[TI Glossary](#) This glossary lists and explains terms, acronyms, and definitions.

## 11 Revision History

NOTE: Page numbers for previous revisions may differ from page numbers in the current version.

Changes from Revision E (February 2024) to Revision F (June 2024)	Page
• Updated WDO delays typ.....	9
• Removed T <sub>HD;DAT</sub> max limits to confirm to I <sup>2</sup> C standards.....	9
• Addition of Register Protection Feature Description.....	43
• Clarification of BIST ESM and Watchdog coverage .....	44

Changes from Revision D (October 2023) to Revision E (February 2024)	Page
• Addition of device summary tables <a href="#">Table 4-1</a> , <a href="#">Table 4-2</a> , and <a href="#">Table 4-3</a> .....	3
• Specify device behavior when fault reporting output is un-mapped.....	18
• Specify device behavior when fault reporting output is un-mapped.....	19
• Additional clarification regarding the operation of PEC.....	20
• Clarify watchdog window delay accuracy.....	26
• Clarification of WDO signal timing.....	28
• Specify device behavior when fault reporting output is un-mapped.....	36
• Clarification of WDO signal timing.....	39
• Clarification of WDO timing.....	45
• Clarification of mapped error reporting.....	94



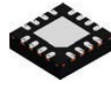
---

<b>Changes from Revision C (May 2023) to Revision D (October 2023)</b>	<b>Page</b>
• Production Data Release.....	<b>1</b>

---

## **12 Mechanical, Packaging, and Orderable Information**

The following pages include mechanical, packaging, and orderable information. This information is the most current data available for the designated devices. This data is subject to change without notice and revision of this document. For browser-based versions of this data sheet, refer to the left-hand navigation.

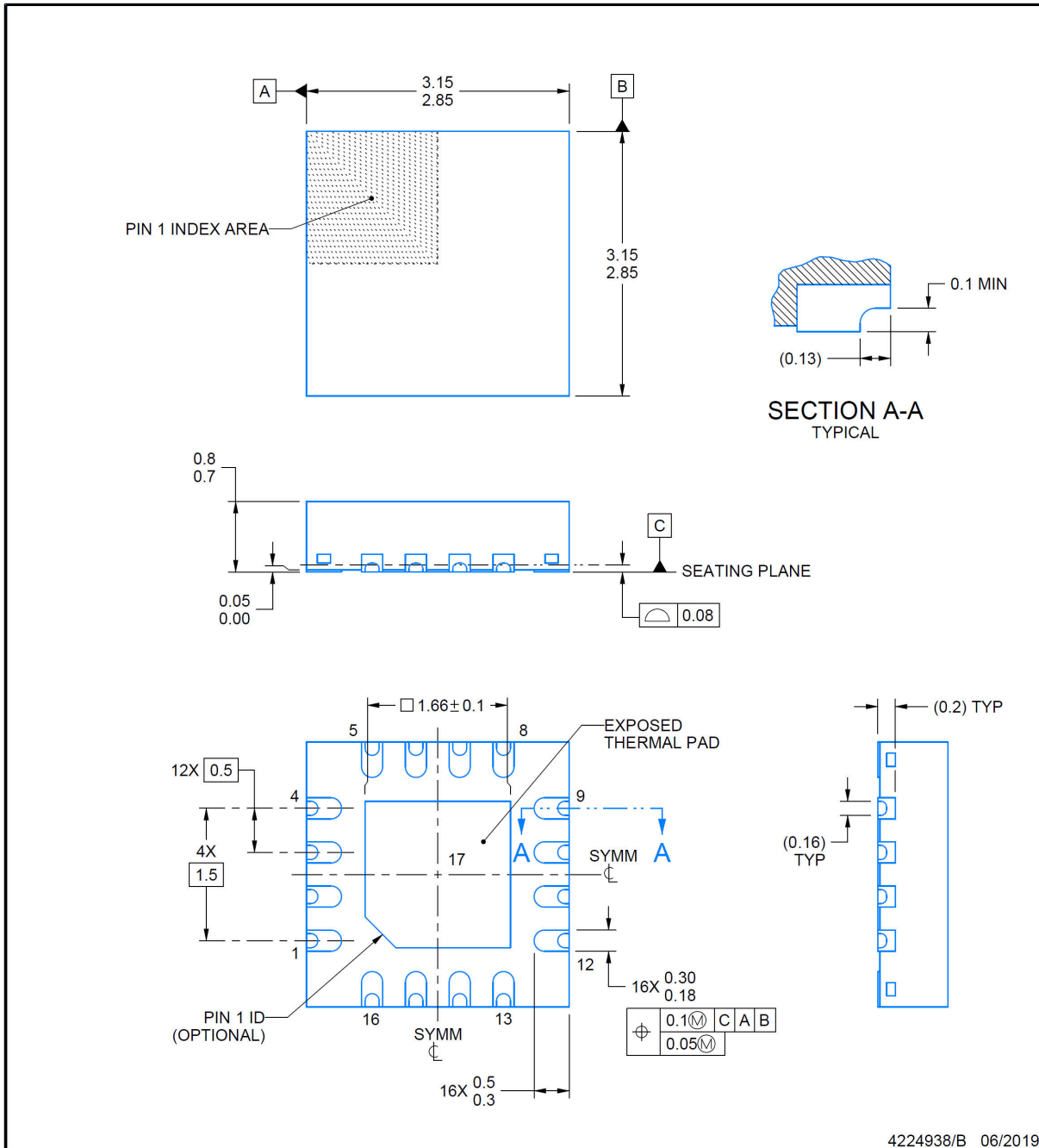


**RTE0016K**

**PACKAGE OUTLINE**

**WQFN - 0.8 mm max height**

PLASTIC QUAD FLATPACK - NO LEAD



NOTES:

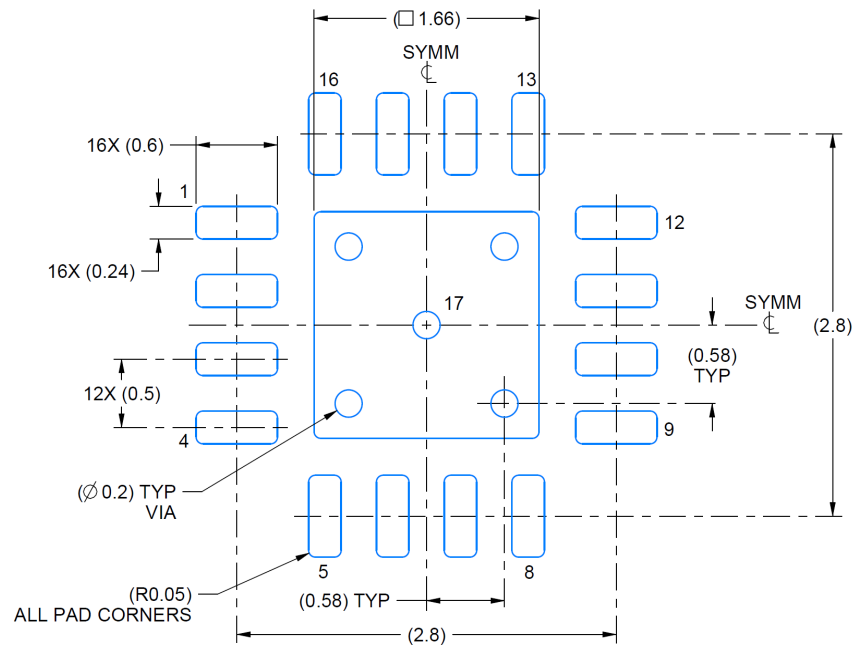
1. All linear dimensions are in millimeters. Any dimensions in parenthesis are for reference only. Dimensioning and tolerancing per ASME Y14.5M.
2. This drawing is subject to change without notice.
3. The package thermal pad must be soldered to the printed circuit board for thermal and mechanical performance.

## EXAMPLE BOARD LAYOUT

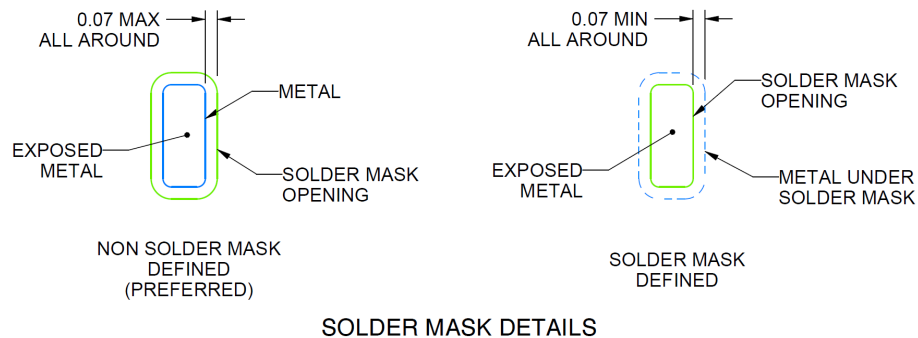
**RTE0016K**

**WQFN - 0.8 mm max height**

PLASTIC QUAD FLATPACK - NO LEAD



**LAND PATTERN EXAMPLE**  
 EXPOSED METAL SHOWN  
 SCALE:20X



4224938/B 06/2019

NOTES: (continued)

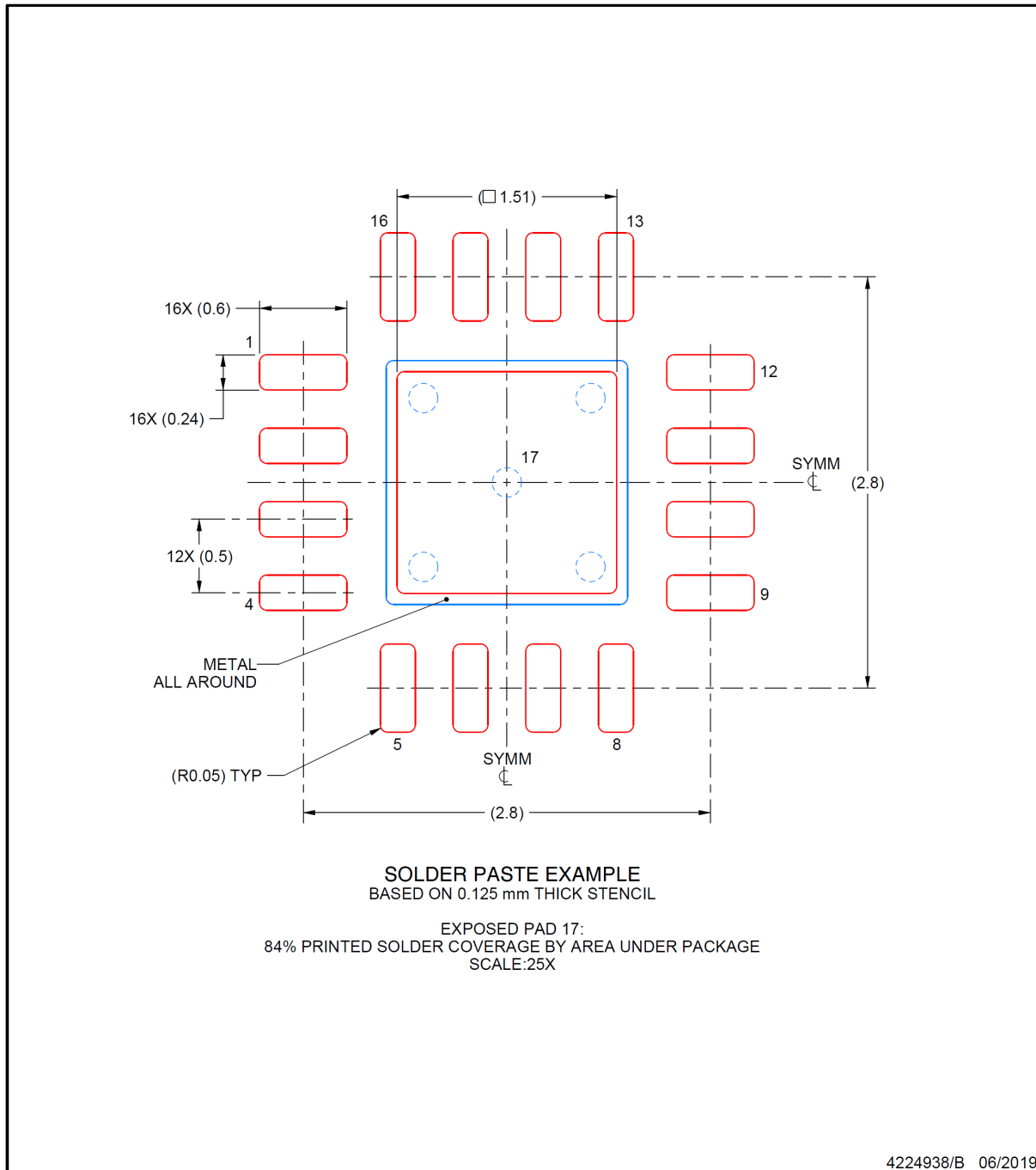
- This package is designed to be soldered to a thermal pad on the board. For more information, see Texas Instruments literature number SLUA271 ([www.ti.com/lit/slua271](http://www.ti.com/lit/slua271)).
- Vias are optional depending on application, refer to device data sheet. If any vias are implemented, refer to their locations shown on this view. It is recommended that vias under paste be filled, plugged or tented.

## EXAMPLE STENCIL DESIGN

**RTE0016K**

**WQFN - 0.8 mm max height**

PLASTIC QUAD FLATPACK - NO LEAD



NOTES: (continued)

6. Laser cutting apertures with trapezoidal walls and rounded corners may offer better paste release. IPC-7525 may have alternate design recommendations.

**PACKAGING INFORMATION**

Orderable Device	Status (1)	Package Type	Package Drawing	Pins	Package Qty	Eco Plan (2)	Lead finish/ Ball material (6)	MSL Peak Temp (3)	Op Temp (°C)	Device Marking (4/5)	Samples
TPS389C0300CRTERQ1	ACTIVE	WQFN	RTE	16	3000	RoHS & Green	NIPDAU	Level-2-260C-1 YEAR	-40 to 125	C030Q	Samples

(1) The marketing status values are defined as follows:

**ACTIVE:** Product device recommended for new designs.

**LIFEBUY:** TI has announced that the device will be discontinued, and a lifetime-buy period is in effect.

**NRND:** Not recommended for new designs. Device is in production to support existing customers, but TI does not recommend using this part in a new design.

**PREVIEW:** Device has been announced but is not in production. Samples may or may not be available.

**OBSELETE:** TI has discontinued the production of the device.

(2) **RoHS:** TI defines "RoHS" to mean semiconductor products that are compliant with the current EU RoHS requirements for all 10 RoHS substances, including the requirement that RoHS substance do not exceed 0.1% by weight in homogeneous materials. Where designed to be soldered at high temperatures, "RoHS" products are suitable for use in specified lead-free processes. TI may reference these types of products as "Pb-Free".

**RoHS Exempt:** TI defines "RoHS Exempt" to mean products that contain lead but are compliant with EU RoHS pursuant to a specific EU RoHS exemption.

**Green:** TI defines "Green" to mean the content of Chlorine (Cl) and Bromine (Br) based flame retardants meet JS709B low halogen requirements of <=1000ppm threshold. Antimony trioxide based flame retardants must also meet the <=1000ppm threshold requirement.

(3) MSL, Peak Temp. - The Moisture Sensitivity Level rating according to the JEDEC industry standard classifications, and peak solder temperature.

(4) There may be additional marking, which relates to the logo, the lot trace code information, or the environmental category on the device.

(5) Multiple Device Markings will be inside parentheses. Only one Device Marking contained in parentheses and separated by a "-" will appear on a device. If a line is indented then it is a continuation of the previous line and the two combined represent the entire Device Marking for that device.

(6) Lead finish/Ball material - Orderable Devices may have multiple material finish options. Finish options are separated by a vertical ruled line. Lead finish/Ball material values may wrap to two lines if the finish value exceeds the maximum column width.

**Important Information and Disclaimer:**The information provided on this page represents TI's knowledge and belief as of the date that it is provided. TI bases its knowledge and belief on information provided by third parties, and makes no representation or warranty as to the accuracy of such information. Efforts are underway to better integrate information from third parties. TI has taken and continues to take reasonable steps to provide representative and accurate information but may not have conducted destructive testing or chemical analysis on incoming materials and chemicals. TI and TI suppliers consider certain information to be proprietary, and thus CAS numbers and other limited information may not be available for release.

In no event shall TI's liability arising out of such information exceed the total purchase price of the TI part(s) at issue in this document sold by TI to Customer on an annual basis.

**TAPE AND REEL INFORMATION**

**QUADRANT ASSIGNMENTS FOR PIN 1 ORIENTATION IN TAPE**


\*All dimensions are nominal

Device	Package Type	Package Drawing	Pins	SPQ	Reel Diameter (mm)	Reel Width W1 (mm)	A0 (mm)	B0 (mm)	K0 (mm)	P1 (mm)	W (mm)	Pin1 Quadrant
TPS389C0300CRTERQ1	WQFN	RTE	16	3000	330.0	12.4	3.3	3.3	1.1	8.0	12.0	Q2

**TAPE AND REEL BOX DIMENSIONS**


\*All dimensions are nominal

Device	Package Type	Package Drawing	Pins	SPQ	Length (mm)	Width (mm)	Height (mm)
TPS389C0300CRTERQ1	WQFN	RTE	16	3000	367.0	367.0	35.0

## GENERIC PACKAGE VIEW

**RTE 16**

**WQFN - 0.8 mm max height**

3 x 3, 0.5 mm pitch

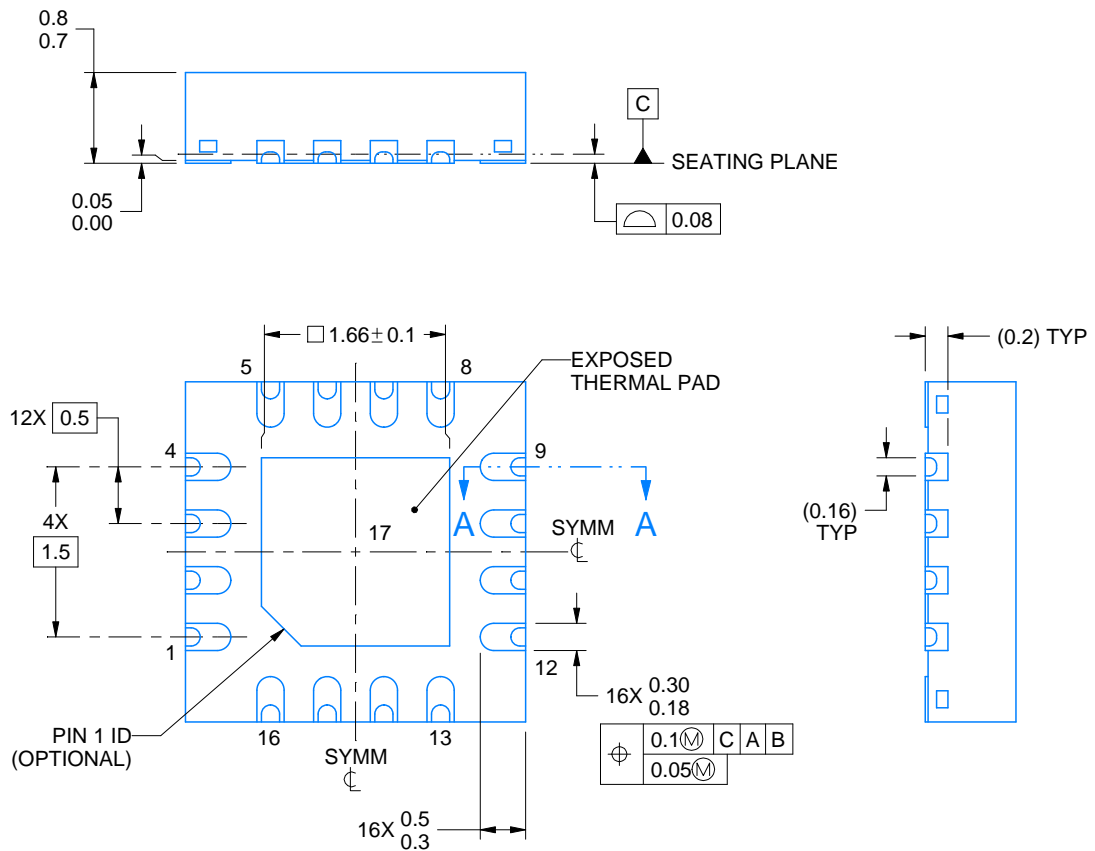
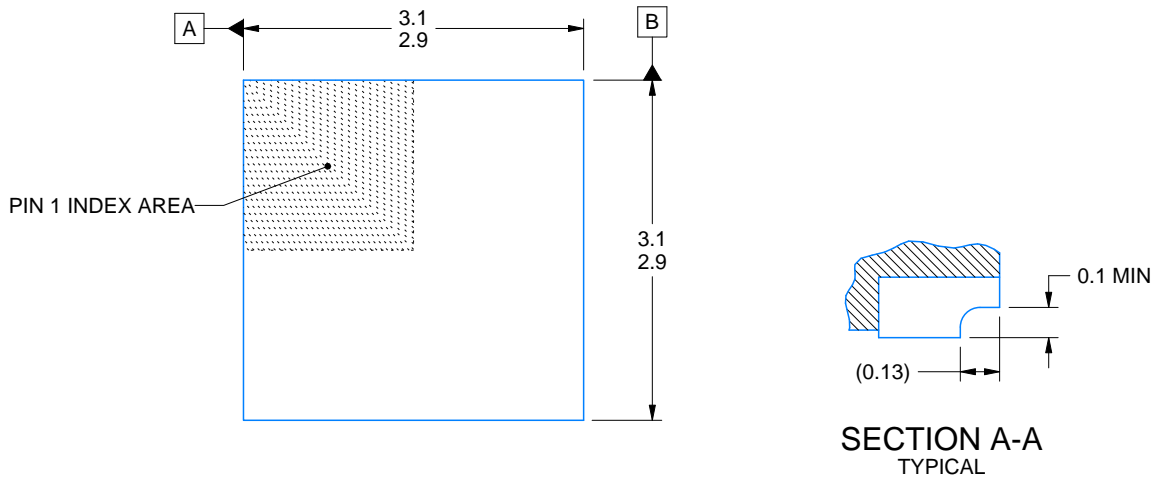
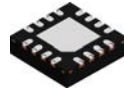
PLASTIC QUAD FLATPACK - NO LEAD

This image is a representation of the package family, actual package may vary.  
Refer to the product data sheet for package details.



4225944/A





4224938/C 03/2022

NOTES:

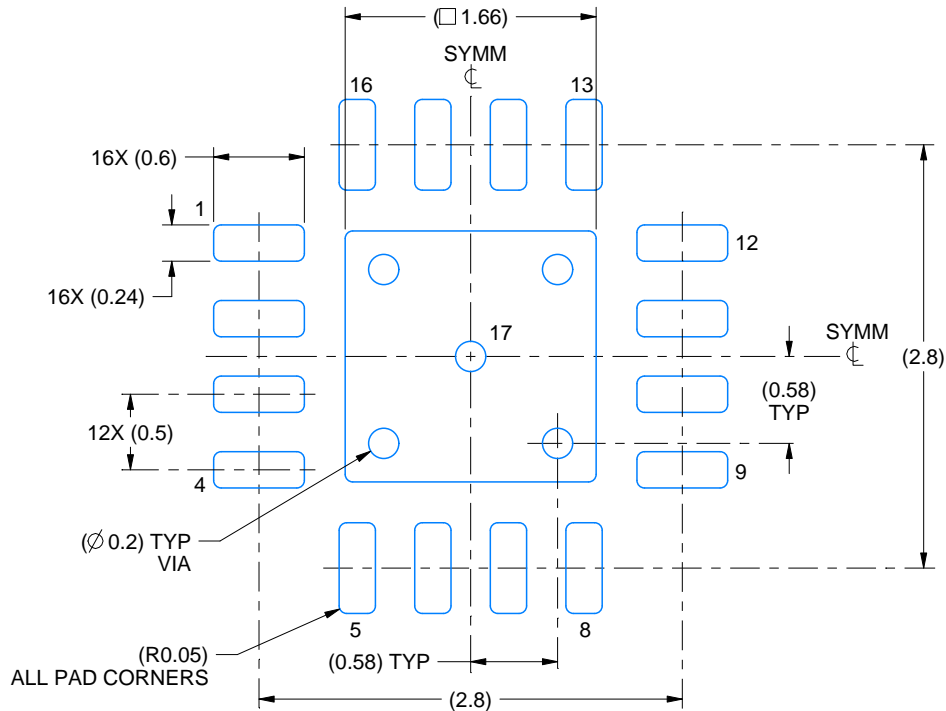
1. All linear dimensions are in millimeters. Any dimensions in parenthesis are for reference only. Dimensioning and tolerancing per ASME Y14.5M.
2. This drawing is subject to change without notice.
3. The package thermal pad must be soldered to the printed circuit board for thermal and mechanical performance.

# EXAMPLE BOARD LAYOUT

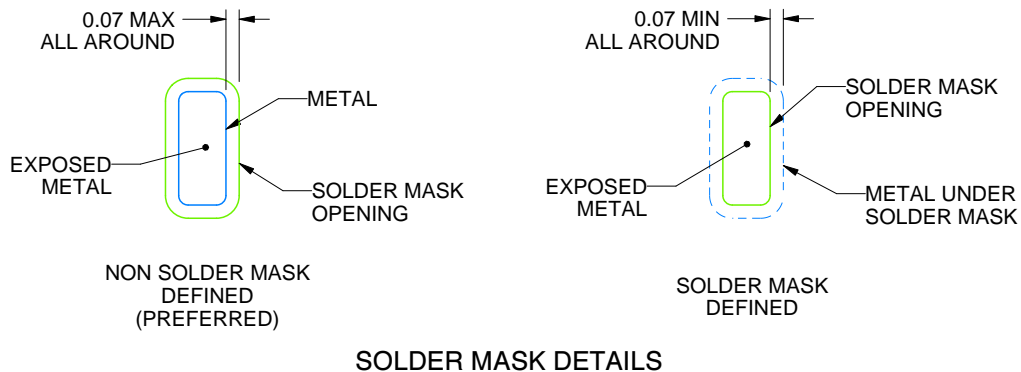
RTE0016K

WQFN - 0.8 mm max height

PLASTIC QUAD FLATPACK - NO LEAD



LAND PATTERN EXAMPLE  
EXPOSED METAL SHOWN  
SCALE:20X



SOLDER MASK DETAILS

4224938/C 03/2022

NOTES: (continued)

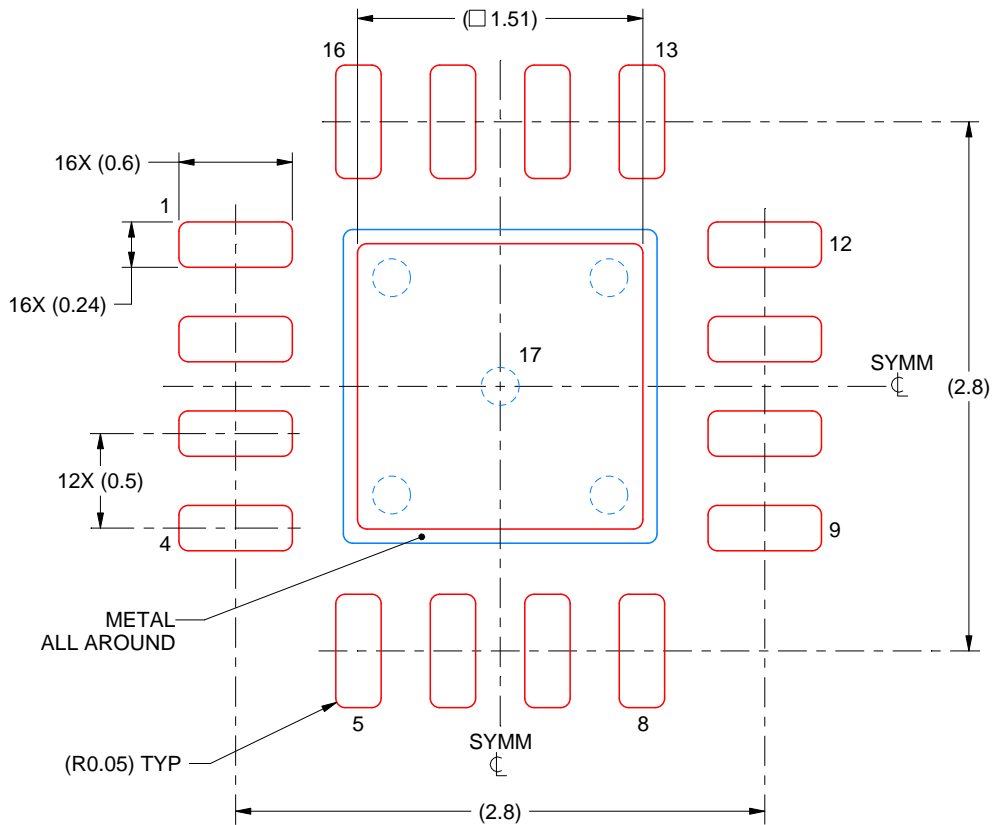
4. This package is designed to be soldered to a thermal pad on the board. For more information, see Texas Instruments literature number SLUA271 ([www.ti.com/lit/slua271](http://www.ti.com/lit/slua271)).
5. Vias are optional depending on application, refer to device data sheet. If any vias are implemented, refer to their locations shown on this view. It is recommended that vias under paste be filled, plugged or tented.

# EXAMPLE STENCIL DESIGN

RTE0016K

WQFN - 0.8 mm max height

PLASTIC QUAD FLATPACK - NO LEAD



**SOLDER PASTE EXAMPLE**  
BASED ON 0.125 mm THICK STENCIL

EXPOSED PAD 17:  
84% PRINTED SOLDER COVERAGE BY AREA UNDER PACKAGE  
SCALE:25X

4224938/C 03/2022

NOTES: (continued)

6. Laser cutting apertures with trapezoidal walls and rounded corners may offer better paste release. IPC-7525 may have alternate design recommendations.

## IMPORTANT NOTICE AND DISCLAIMER

TI PROVIDES TECHNICAL AND RELIABILITY DATA (INCLUDING DATA SHEETS), DESIGN RESOURCES (INCLUDING REFERENCE DESIGNS), APPLICATION OR OTHER DESIGN ADVICE, WEB TOOLS, SAFETY INFORMATION, AND OTHER RESOURCES "AS IS" AND WITH ALL FAULTS, AND DISCLAIMS ALL WARRANTIES, EXPRESS AND IMPLIED, INCLUDING WITHOUT LIMITATION ANY IMPLIED WARRANTIES OF MERCHANTABILITY, FITNESS FOR A PARTICULAR PURPOSE OR NON-INFRINGEMENT OF THIRD PARTY INTELLECTUAL PROPERTY RIGHTS.

These resources are intended for skilled developers designing with TI products. You are solely responsible for (1) selecting the appropriate TI products for your application, (2) designing, validating and testing your application, and (3) ensuring your application meets applicable standards, and any other safety, security, regulatory or other requirements.

These resources are subject to change without notice. TI grants you permission to use these resources only for development of an application that uses the TI products described in the resource. Other reproduction and display of these resources is prohibited. No license is granted to any other TI intellectual property right or to any third party intellectual property right. TI disclaims responsibility for, and you will fully indemnify TI and its representatives against, any claims, damages, costs, losses, and liabilities arising out of your use of these resources.

TI's products are provided subject to [TI's Terms of Sale](#) or other applicable terms available either on [ti.com](https://www.ti.com) or provided in conjunction with such TI products. TI's provision of these resources does not expand or otherwise alter TI's applicable warranties or warranty disclaimers for TI products.

TI objects to and rejects any additional or different terms you may have proposed.

Mailing Address: Texas Instruments, Post Office Box 655303, Dallas, Texas 75265  
Copyright © 2024, Texas Instruments Incorporated