

uA9637A Dual Differential Line Receiver

1 Features

- Meets or exceeds the requirements of ANSI standards EIA/TIA-422-B and EIA/TIA-423-B and ITU recommendations V.10 and V.11
- Operates From Single 5V power supply
- Wide common-mode voltage range
- High input impedance
- TTI-compatible outputs
- High-speed schottky circuitry
- 8-Pin dual-in-line and small-outline packages
- Designed to be interchangeable with national DS9637A

2 Applications

- [Factory automation](#)
- [AC and servo motor drives](#)

3 Description

The uA9637A is a dual differential line receiver designed to meet ANSI Standards EIA/TIA-422-B and EIA/TIA-423-B and ITU Recommendations V.10 and V.11. The line receiver uses Schottky circuitry, and has TTL-compatible outputs. The inputs are compatible with either a single-ended or a differential-line system. This device operates from a single 5V power supply and is supplied in an 8-pin dual-in-line package or small-outline package.

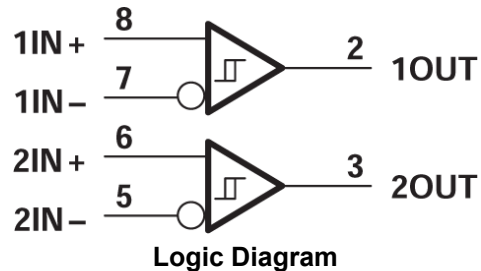
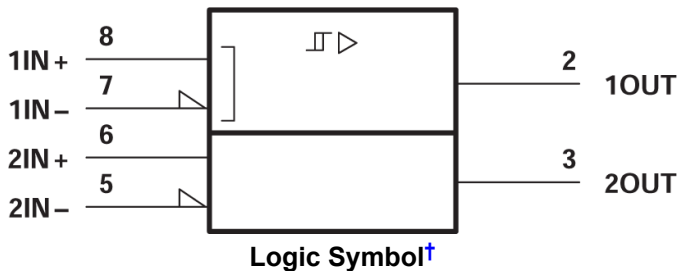
The uA9637A is characterized for operation from 0°C to 70°C.

Package Information

PART NUMBER	PACKAGE ⁽¹⁾	PACKAGE SIZE ⁽²⁾
uA9637A	SOIC (D, 8)	4.9mm × 6mm
	PDIP (P, 8)	9.81mm × 9.43mm

(1) For more information, see [Section 11](#).

(2) The package size (length × width) is a nominal value and includes pins, where applicable.



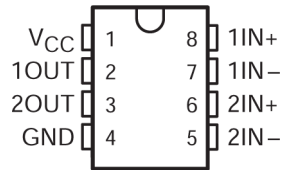
† This symbol is in accordance with ANSI/IEEE Std 91-1984 and IEC Publication 617-12.



Table of Contents

1 Features	1	7 Detailed Description	8
2 Applications	1	7.1 Device Functional Modes.....	8
3 Description	1	8 Application and Implementation	10
4 Pin Configuration and Functions	3	8.1 Typical Application.....	10
5 Specifications	4	9 Device and Documentation Support	11
5.1 Absolute Maximum Ratings.....	4	9.1 Support Resources.....	11
5.2 Dissipation Rating Table.....	4	9.2 Trademarks.....	11
5.3 Recommended Operating Conditions.....	4	9.3 Electrostatic Discharge Caution.....	11
5.4 Thermal Resistance Characteristics.....	4	9.4 Glossary.....	11
5.5 Electrical Characteristics.....	5	10 Revision History	11
5.6 Switching Characteristics.....	5	11 Mechanical, Packaging, and Orderable	
5.7 Typical Characteristics.....	6	Information	11
6 Parameter Measurement Information	7		

4 Pin Configuration and Functions



**Figure 4-1. D (SOIC) or P (PDIP) Package
(Top View)**

Table 4-1. Pin Functions

PIN		TYPE ⁽¹⁾	DESCRIPTION
NAME	NO.		
V _{CC}	1	POW	5V (+/-5%) Positive Supply Connection Pin
1OUT	2	O	Single Ended Output for Channel 1 Differential Receiver
2OUT	3	O	Single Ended Output for Channel 2 Differential Receiver
GND	4	GND	Device Ground
2IN-	5	I	Inverting Differential Input for Channel 2's Differential Receiver
2IN+	6	I	Non-Inverting Differential Input for Channel 2's Differential Receiver
1IN-	7	I	Inverting Differential Input for Channel 1's Differential Receiver
1IN+	8	I	Non-Inverting Differential Input for Channel 1's Differential Receiver

(1) Signal Types: I = Input, O = Output, I/O = Input or Output, POW = Power, GND = Ground.

5 Specifications

5.1 Absolute Maximum Ratings

over operating free-air temperature range (unless otherwise noted)⁽¹⁾

		MIN	MAX	UNIT
V_{CC}	Supply voltage range (see Note 1)	-0.5	7	V
V_I	Input voltage		±15	V
V_{ID}	Differential input voltage (see (3))		±15	V
V_O	Output voltage range (see (2))	-0.5	5.5	V
I_{OL}	Low-level output current		50	mA
	Continuous total dissipation	See Dissipation Rating Table		
T_A	Operating free-air temperature range	0	70	°C
T_{stg}	Storage temperature range	-65	150	°C
	Lead temperature 1,6mm (1/16 inch) from case for 10 seconds		260	°C

- (1) Stresses beyond those listed under “absolute maximum ratings” may cause permanent damage to the device. These are stress ratings only, and functional operation of the device at these or any other conditions beyond those indicated under “recommended operating conditions” is not implied. Exposure to absolute-maximum-rated conditions for extended periods may affect device reliability.
- (2) All voltage values, except differential input voltage, are with respect to the network ground terminal.
- (3) Differential input voltage is measured at the noninverting input with respect to the corresponding inverting input.

5.2 Dissipation Rating Table

PACKAGE	$T_A \leq 25^\circ\text{C}$ POWER RATING	OPERATING FACTOR ABOVE $T_A = 25^\circ\text{C}$	$T_A = 70^\circ\text{C}$ POWER RATING
D	725mW	5.8mW/°C	464mW
P	1000mW	8.0mW/°C	640mW

5.3 Recommended Operating Conditions

	MIN	NOM	MAX	UNIT
Supply voltage, V_{CC}	4.75	5	5.25	V
Common-mode input voltage, V_{IC}			±7	V
Operating free-air temperature, T_A	0		70	°C

5.4 Thermal Resistance Characteristics

THERMAL METRIC ⁽¹⁾		D (SOIC)	P (PDIP)	UNIT
		8 Pins	8 Pins	
$R_{\theta JA}$	Junction-to-ambient thermal resistance	116.7	65.7	°C/W
$R_{\theta JC(top)}$	Junction-to-case (top) thermal resistance	56.3	54.7	°C/W
$R_{\theta JB}$	Junction-to-board thermal resistance	63.4	42.1	°C/W
Ψ_{JT}	Junction-to-top characterization parameter	8.8	23	°C/W
Ψ_{JB}	Junction-to-board characterization parameter	62.6	41.7	°C/W
$R_{\theta JC(bot)}$	Junction-to-case (bottom) thermal resistance	N/A	N/A	°C/W

- (1) For more information about traditional and new thermal metrics, see the [Semiconductor and IC package thermal metrics](#) application report.

5.5 Electrical Characteristics

over recommended ranges of supply voltage, common-mode input voltage, and operating free-air temperature (unless otherwise noted)

PARAMETER		TEST CONDITIONS		MIN TYP ⁽¹⁾		MAX	UNIT
V _{IT+}	Positive-going input threshold voltage	See ⁽⁴⁾				0.2	V
V _{IT-}	Negative-going input threshold voltage	See ⁽⁴⁾				-0.2	V
V _{hys}	Hysteresis voltage (V _{IT+} -V _{IT-})					70	mV
V _{OH}	High-level output voltage	V _{ID} = 0.2V,	I _O = -1mA	2.5	1.5		V
V _{OL}	Low-level output voltage	V _{ID} = -0.2V,	I _O = 20mA	0.35	0.5		V
I _I	Input current	V _{CC} = 0 to 5.5V,	V _I = 10V	1.1	1.25		mA
		See ⁽⁵⁾	V _I = -10V	-1.6	-1.25		
I _{OS}	Short-circuit output current ⁽³⁾	V _O = 0,	V _{ID} = 0.2V	-40	-75	-100	mA
I _{CC}	Supply current	V _{ID} = -0.5V,	No load	35	50		mA

(1) All typical values are at V_{CC} = 5 V, T_A = 25°C.

(2) The algebraic convention, in which the less positive (more negative) limit is designated as minimum, is used in this data sheet for threshold levels only.

(3) Only one output should be shorted at a time, and duration of the short circuit should not exceed one second.

(4) The expanded threshold parameter is tested with a 500-Ω resistor in series with each input.

(5) The input not under test is grounded.

5.6 Switching Characteristics

V_{CC} = 5V, T_A = 25°C

PARAMETER		TEST CONDITIONS	MIN	TYP	MAX	UNIT
t _{PLH}	Propagation delay time, low- to high-level output	C _L = 30pF, See Figure 6-1		15	25	ns
t _{PHL}	Propagation delay time, high- to low-level output			13	25	ns

5.7 Typical Characteristics

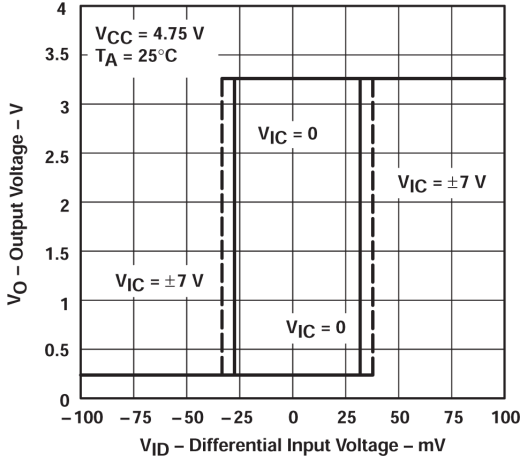


Figure 5-1. Output Voltage vs Differential Input Voltage

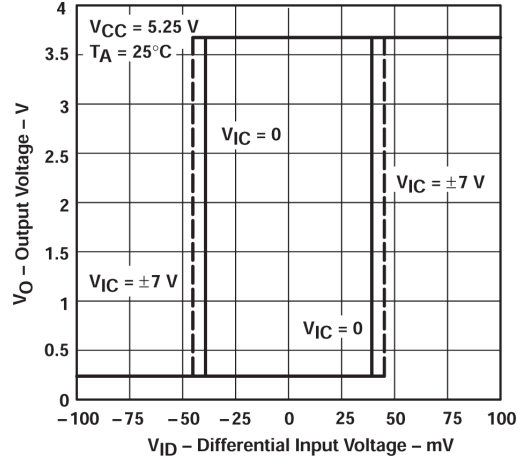


Figure 5-2. Output Voltage vs Differential Input Voltage

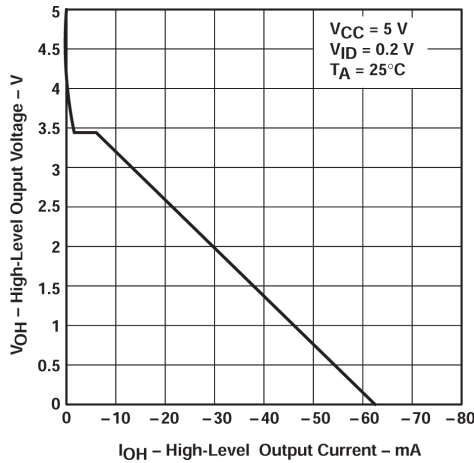


Figure 5-3. High-level Output Voltage vs High-level Output Current

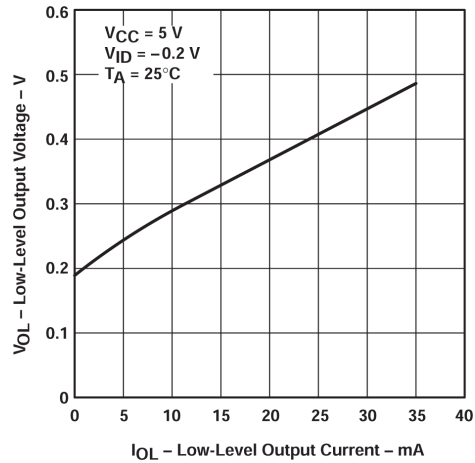


Figure 5-4. Low-level Output Voltage vs Low-level Output Current

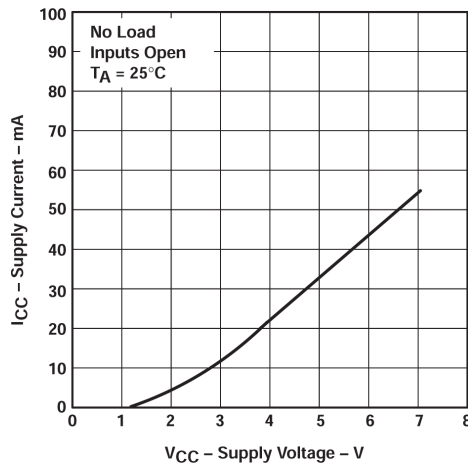
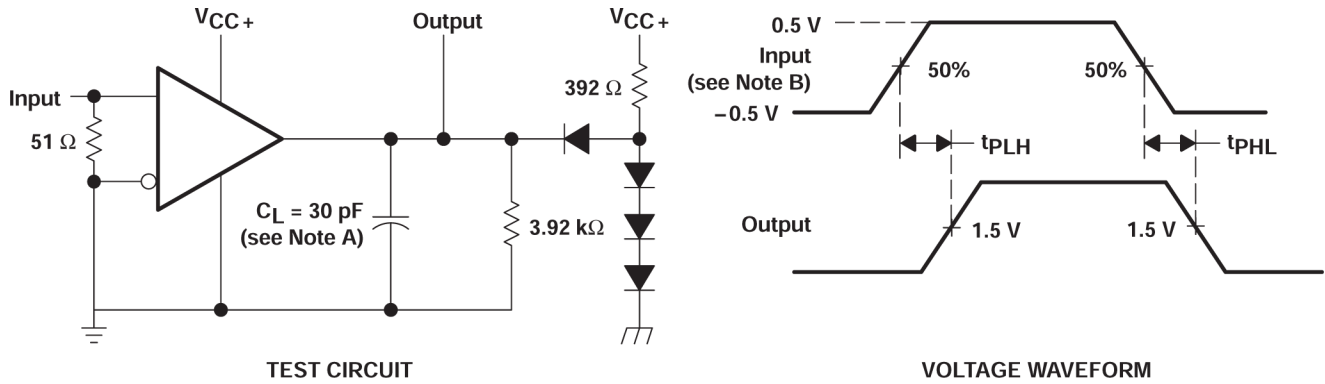


Figure 5-5. Supply Current vs Supply Voltage

6 Parameter Measurement Information



- A. C_L includes probe and jig capacitance.
- B. The input pulse is supplied by a generator having the following characteristics: $t_r \leq 5 \text{ ns}$, $t_f \leq 5 \text{ ns}$, $\text{PRR} \leq 5 \text{ MHz}$, duty cycle = 50%.

Figure 6-1. Test Circuit and Voltage Waveform

7 Detailed Description

7.1 Device Functional Modes

Table 7-1. Functional Table (Each Receiver)

DIFFERENTIAL INPUTS A – B (V_{ID})	ENABLES ⁽¹⁾		OUTPUT Y
	G	\bar{G}	
$V_{ID} \leq -0.2\text{ V}$	H	X	L
	X	L	
$-0.2\text{ V} < V_{ID} < -0.01\text{ V}$	H	X	?
	X	L	
$-0.01\text{ V} \leq V_{ID}$	H	X	H
	X	L	
X	L	H	Z
	OPEN	OPEN	
Short circuit	H	X	H
	X	L	
Open circuit	H	X	H

(1) H = high level, L = low level, X = irrelevant, Z = high impedance (off), ? = indeterminate

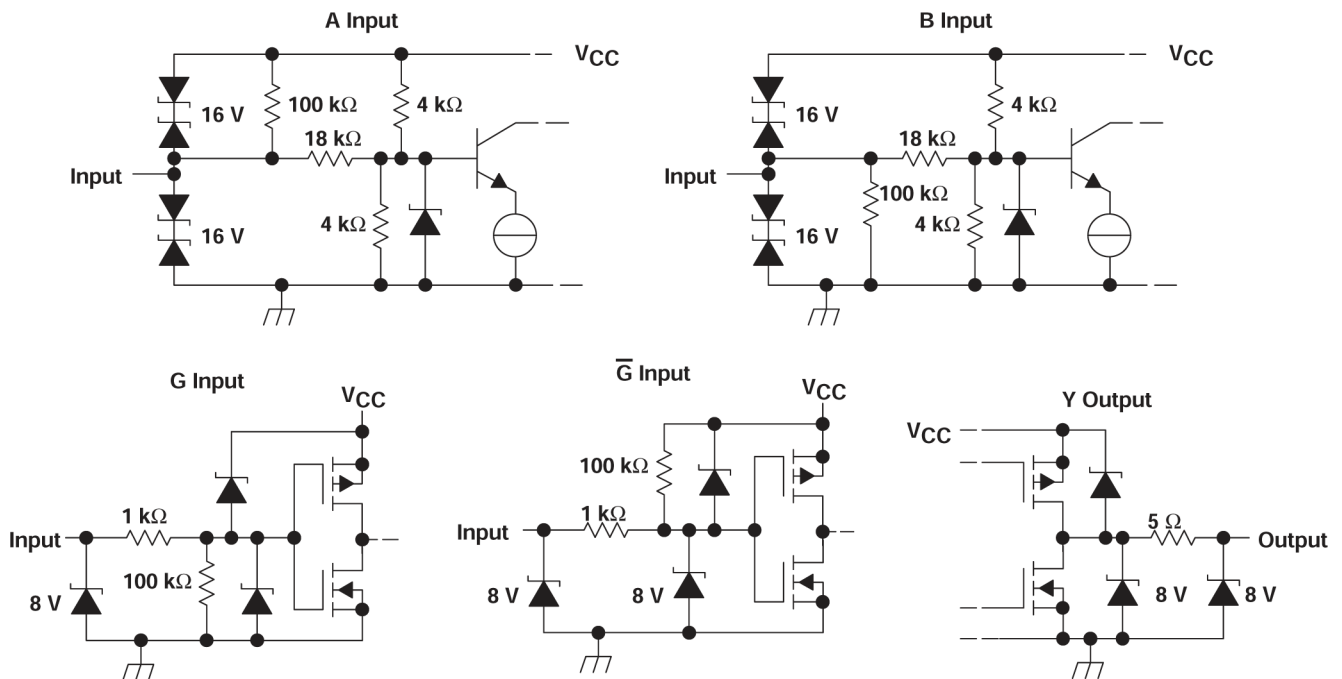
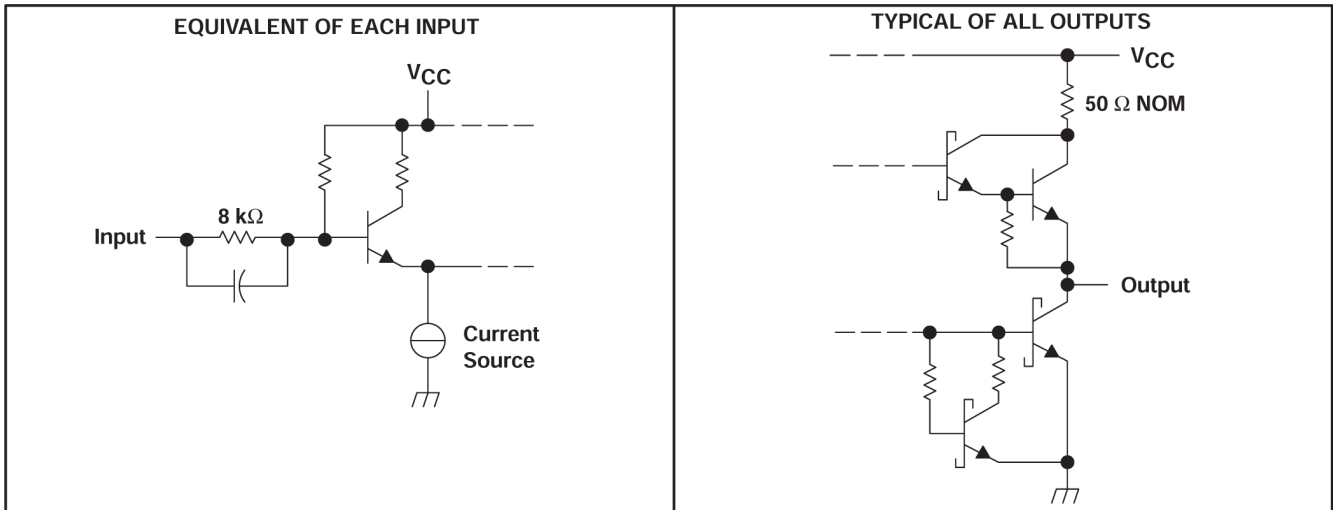


Figure 7-1. Equivalent Input and Output Schematic Diagrams

7.1.1 Schematics of Inputs and Outputs



8 Application and Implementation

Note

Information in the following applications sections is not part of the TI component specification, and TI does not warrant its accuracy or completeness. TI's customers are responsible for determining suitability of components for their purposes, as well as validating and testing their design implementation to confirm system functionality.

8.1 Typical Application

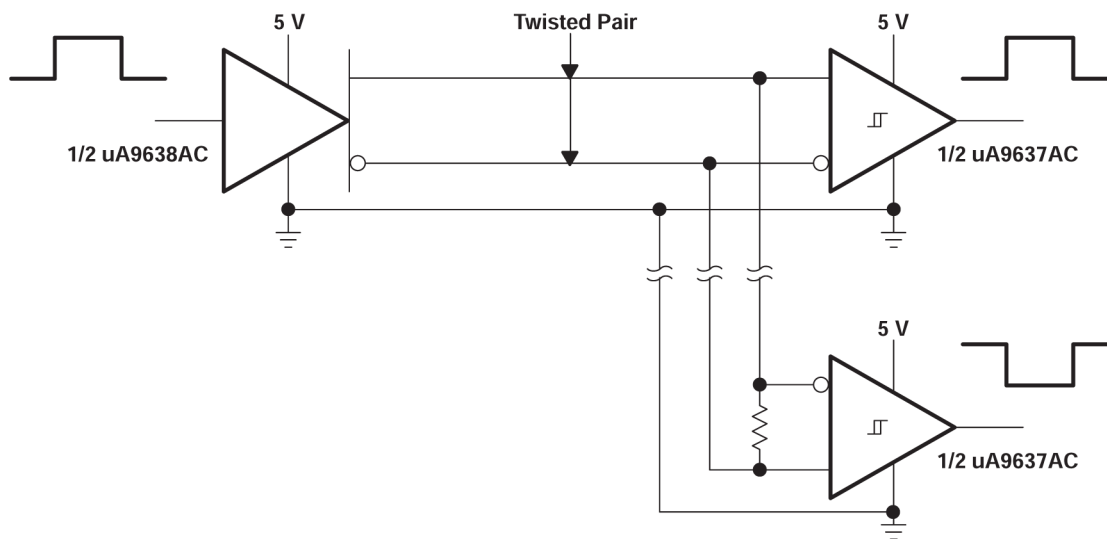


Figure 8-1. EIA/TIA-422-B System Applications

9 Device and Documentation Support

9.1 Support Resources

[TI E2E™ support forums](#) are an engineer's go-to source for fast, verified answers and design help — straight from the experts. Search existing answers or ask your own question to get the quick design help you need.

Linked content is provided "AS IS" by the respective contributors. They do not constitute TI specifications and do not necessarily reflect TI's views; see TI's [Terms of Use](#).

9.2 Trademarks

TI E2E™ is a trademark of Texas Instruments.
All trademarks are the property of their respective owners.

9.3 Electrostatic Discharge Caution



This integrated circuit can be damaged by ESD. Texas Instruments recommends that all integrated circuits be handled with appropriate precautions. Failure to observe proper handling and installation procedures can cause damage.

ESD damage can range from subtle performance degradation to complete device failure. Precision integrated circuits may be more susceptible to damage because very small parametric changes could cause the device not to meet its published specifications.

9.4 Glossary

[TI Glossary](#) This glossary lists and explains terms, acronyms, and definitions.

10 Revision History

NOTE: Page numbers for previous revisions may differ from page numbers in the current version.

Changes from Revision B (May 1995) to Revision C (January 2024)	Page
• Changed the numbering format for tables, figures, and cross-references throughout the document.....	1

11 Mechanical, Packaging, and Orderable Information

The following pages include mechanical, packaging, and orderable information. This information is the most current data available for the designated devices. This data is subject to change without notice and revision of this document. For browser-based versions of this data sheet, refer to the left-hand navigation.

PACKAGING INFORMATION

Orderable Device	Status (1)	Package Type	Package Drawing	Pins	Package Qty	Eco Plan (2)	Lead finish/ Ball material (6)	MSL Peak Temp (3)	Op Temp (°C)	Device Marking (4/5)	Samples
UA9637ACD	OBSOLETE	SOIC	D	8		TBD	Call TI	Call TI	0 to 70	9637AC	
UA9637ACDR	ACTIVE	SOIC	D	8	2500	RoHS & Green	NIPDAU	Level-1-260C-UNLIM	0 to 70	9637AC	Samples
UA9637ACDRE4	ACTIVE	SOIC	D	8	2500	RoHS & Green	NIPDAU	Level-1-260C-UNLIM	0 to 70	9637AC	Samples
UA9637ACDRG4	ACTIVE	SOIC	D	8	2500	RoHS & Green	NIPDAU	Level-1-260C-UNLIM	0 to 70	9637AC	Samples
UA9637ACP	ACTIVE	PDIP	P	8	50	RoHS & Green	NIPDAU	N / A for Pkg Type	0 to 70	UA9637ACP	Samples
UA9637ACPS	ACTIVE	SO	PS	8	80	RoHS & Green	NIPDAU	Level-1-260C-UNLIM		UA9637A	Samples

(1) The marketing status values are defined as follows:

ACTIVE: Product device recommended for new designs.

LIFEBUY: TI has announced that the device will be discontinued, and a lifetime-buy period is in effect.

NRND: Not recommended for new designs. Device is in production to support existing customers, but TI does not recommend using this part in a new design.

PREVIEW: Device has been announced but is not in production. Samples may or may not be available.

OBSOLETE: TI has discontinued the production of the device.

(2) **RoHS:** TI defines "RoHS" to mean semiconductor products that are compliant with the current EU RoHS requirements for all 10 RoHS substances, including the requirement that RoHS substance do not exceed 0.1% by weight in homogeneous materials. Where designed to be soldered at high temperatures, "RoHS" products are suitable for use in specified lead-free processes. TI may reference these types of products as "Pb-Free".

RoHS Exempt: TI defines "RoHS Exempt" to mean products that contain lead but are compliant with EU RoHS pursuant to a specific EU RoHS exemption.

Green: TI defines "Green" to mean the content of Chlorine (Cl) and Bromine (Br) based flame retardants meet JS709B low halogen requirements of <=1000ppm threshold. Antimony trioxide based flame retardants must also meet the <=1000ppm threshold requirement.

(3) MSL, Peak Temp. - The Moisture Sensitivity Level rating according to the JEDEC industry standard classifications, and peak solder temperature.

(4) There may be additional marking, which relates to the logo, the lot trace code information, or the environmental category on the device.

(5) Multiple Device Markings will be inside parentheses. Only one Device Marking contained in parentheses and separated by a "~" will appear on a device. If a line is indented then it is a continuation of the previous line and the two combined represent the entire Device Marking for that device.

(6) Lead finish/Ball material - Orderable Devices may have multiple material finish options. Finish options are separated by a vertical ruled line. Lead finish/Ball material values may wrap to two lines if the finish value exceeds the maximum column width.

Important Information and Disclaimer: The information provided on this page represents TI's knowledge and belief as of the date that it is provided. TI bases its knowledge and belief on information provided by third parties, and makes no representation or warranty as to the accuracy of such information. Efforts are underway to better integrate information from third parties. TI has taken and continues to take reasonable steps to provide representative and accurate information but may not have conducted destructive testing or chemical analysis on incoming materials and chemicals. TI and TI suppliers consider certain information to be proprietary, and thus CAS numbers and other limited information may not be available for release.

In no event shall TI's liability arising out of such information exceed the total purchase price of the TI part(s) at issue in this document sold by TI to Customer on an annual basis.

TAPE AND REEL INFORMATION

QUADRANT ASSIGNMENTS FOR PIN 1 ORIENTATION IN TAPE


*All dimensions are nominal

Device	Package Type	Package Drawing	Pins	SPQ	Reel Diameter (mm)	Reel Width W1 (mm)	A0 (mm)	B0 (mm)	K0 (mm)	P1 (mm)	W (mm)	Pin1 Quadrant
UA9637ACDR	SOIC	D	8	2500	330.0	12.4	6.4	5.2	2.1	8.0	12.0	Q1

TAPE AND REEL BOX DIMENSIONS


*All dimensions are nominal

Device	Package Type	Package Drawing	Pins	SPQ	Length (mm)	Width (mm)	Height (mm)
UA9637ACDR	SOIC	D	8	2500	353.0	353.0	32.0

TUBE


*All dimensions are nominal

Device	Package Name	Package Type	Pins	SPQ	L (mm)	W (mm)	T (μm)	B (mm)
UA9637ACP	P	PDIP	8	50	506	13.97	11230	4.32
UA9637ACPS	PS	SOP	8	80	530	10.5	4000	4.1



D0008A

PACKAGE OUTLINE

SOIC - 1.75 mm max height

SMALL OUTLINE INTEGRATED CIRCUIT



4214825/C 02/2019

NOTES:

1. Linear dimensions are in inches [millimeters]. Dimensions in parenthesis are for reference only. Controlling dimensions are in inches. Dimensioning and tolerancing per ASME Y14.5M.
2. This drawing is subject to change without notice.
3. This dimension does not include mold flash, protrusions, or gate burrs. Mold flash, protrusions, or gate burrs shall not exceed $.006$ [0.15] per side.
4. This dimension does not include interlead flash.
5. Reference JEDEC registration MS-012, variation AA.

EXAMPLE BOARD LAYOUT

D0008A

SOIC - 1.75 mm max height

SMALL OUTLINE INTEGRATED CIRCUIT



LAND PATTERN EXAMPLE
 EXPOSED METAL SHOWN
 SCALE:8X



SOLDER MASK DETAILS

4214825/C 02/2019

NOTES: (continued)

- 6. Publication IPC-7351 may have alternate designs.
- 7. Solder mask tolerances between and around signal pads can vary based on board fabrication site.

EXAMPLE STENCIL DESIGN

D0008A

SOIC - 1.75 mm max height

SMALL OUTLINE INTEGRATED CIRCUIT



SOLDER PASTE EXAMPLE
BASED ON .005 INCH [0.125 MM] THICK STENCIL
SCALE:8X

4214825/C 02/2019

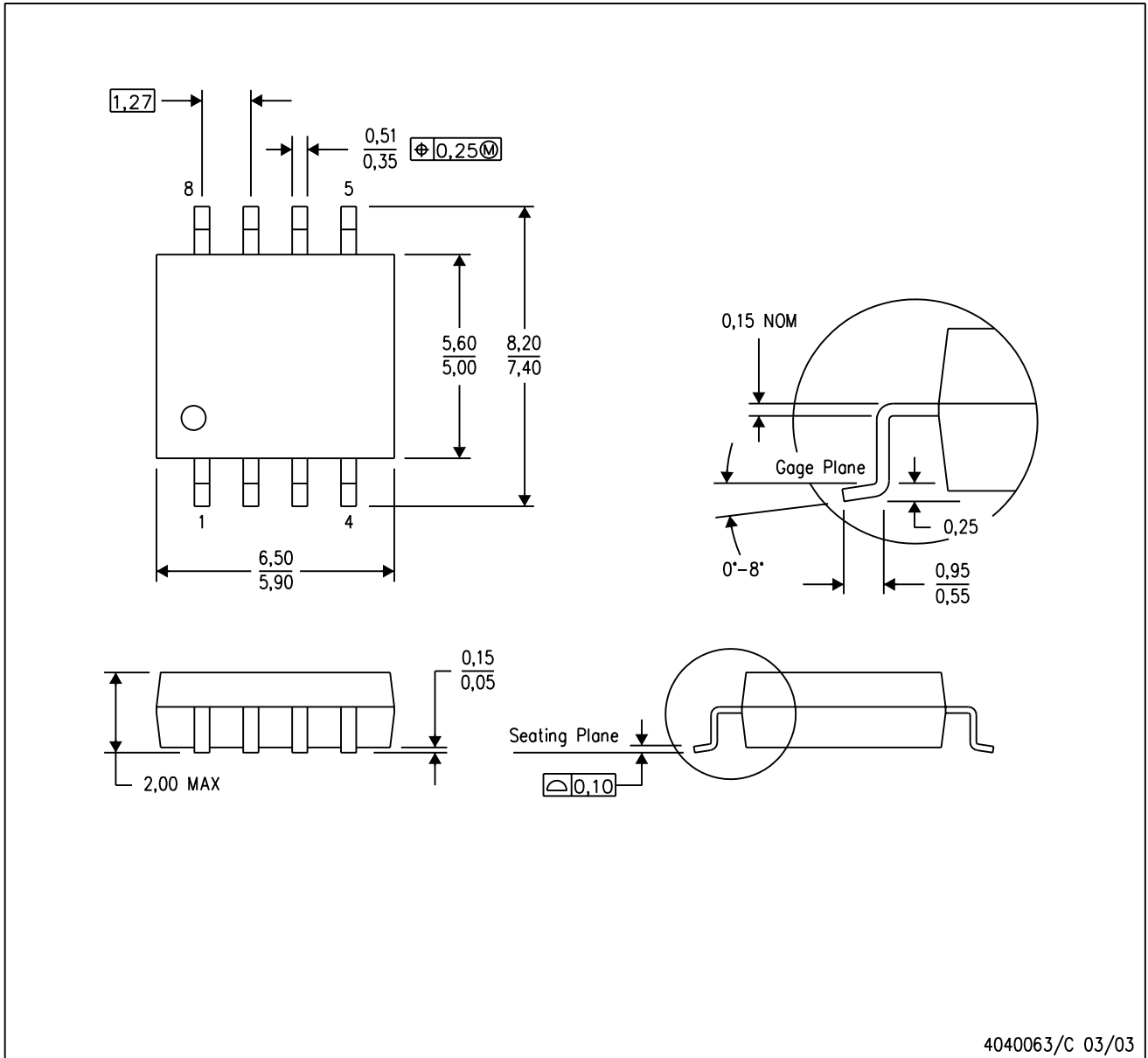
NOTES: (continued)

8. Laser cutting apertures with trapezoidal walls and rounded corners may offer better paste release. IPC-7525 may have alternate design recommendations.
9. Board assembly site may have different recommendations for stencil design.

MECHANICAL DATA

PS (R-PDSO-G8)

PLASTIC SMALL-OUTLINE PACKAGE



- NOTES:
- A. All linear dimensions are in millimeters.
 - B. This drawing is subject to change without notice.
 - C. Body dimensions do not include mold flash or protrusion, not to exceed 0,15.

PS (R-PDSO-G8)

PLASTIC SMALL OUTLINE



- NOTES:
- A. All linear dimensions are in millimeters.
 - B. This drawing is subject to change without notice.
 - C. Publication IPC-7351 is recommended for alternate designs.
 - D. Laser cutting apertures with trapezoidal walls and also rounding corners will offer better paste release. Customers should contact their board assembly site for stencil design recommendations. Refer to IPC-7525 for other stencil recommendations.
 - E. Customers should contact their board fabrication site for solder mask tolerances between and around signal pads.

P (R-PDIP-T8)

PLASTIC DUAL-IN-LINE PACKAGE



4040082/E 04/2010

- NOTES:
- A. All linear dimensions are in inches (millimeters).
 - B. This drawing is subject to change without notice.
 - C. Falls within JEDEC MS-001 variation BA.

IMPORTANT NOTICE AND DISCLAIMER

TI PROVIDES TECHNICAL AND RELIABILITY DATA (INCLUDING DATA SHEETS), DESIGN RESOURCES (INCLUDING REFERENCE DESIGNS), APPLICATION OR OTHER DESIGN ADVICE, WEB TOOLS, SAFETY INFORMATION, AND OTHER RESOURCES "AS IS" AND WITH ALL FAULTS, AND DISCLAIMS ALL WARRANTIES, EXPRESS AND IMPLIED, INCLUDING WITHOUT LIMITATION ANY IMPLIED WARRANTIES OF MERCHANTABILITY, FITNESS FOR A PARTICULAR PURPOSE OR NON-INFRINGEMENT OF THIRD PARTY INTELLECTUAL PROPERTY RIGHTS.

These resources are intended for skilled developers designing with TI products. You are solely responsible for (1) selecting the appropriate TI products for your application, (2) designing, validating and testing your application, and (3) ensuring your application meets applicable standards, and any other safety, security, regulatory or other requirements.

These resources are subject to change without notice. TI grants you permission to use these resources only for development of an application that uses the TI products described in the resource. Other reproduction and display of these resources is prohibited. No license is granted to any other TI intellectual property right or to any third party intellectual property right. TI disclaims responsibility for, and you will fully indemnify TI and its representatives against, any claims, damages, costs, losses, and liabilities arising out of your use of these resources.

TI's products are provided subject to [TI's Terms of Sale](#) or other applicable terms available either on [ti.com](https://www.ti.com) or provided in conjunction with such TI products. TI's provision of these resources does not expand or otherwise alter TI's applicable warranties or warranty disclaimers for TI products.

TI objects to and rejects any additional or different terms you may have proposed.

Mailing Address: Texas Instruments, Post Office Box 655303, Dallas, Texas 75265
Copyright © 2024, Texas Instruments Incorporated