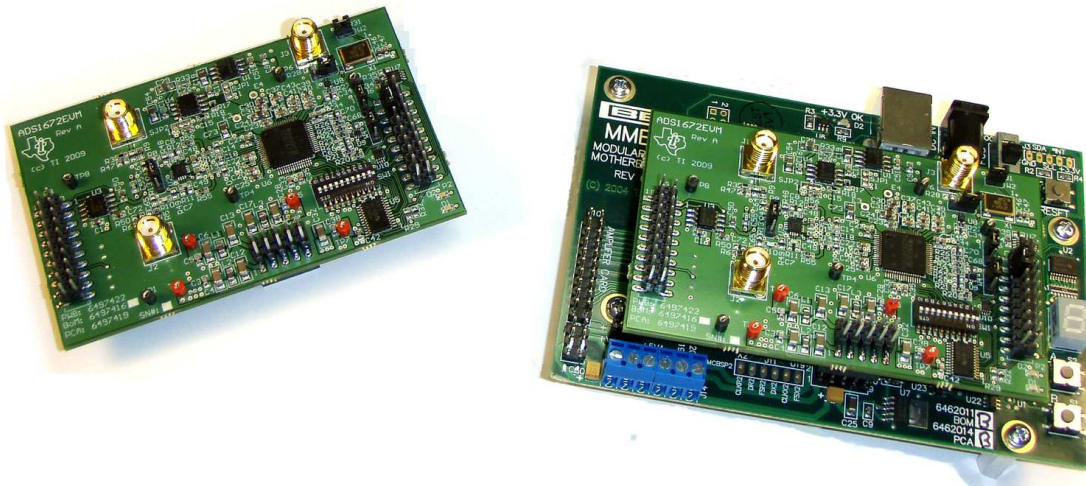


ADS1672EVM and ADS1672EVM-PDK User's Guide



ADS1672EVM (Left) and ADS1672EVM-PDK (Right)

This user's guide describes the characteristics, operation, and use of the ADS1672EVM, both by itself and as part of the ADS1672EVM-PDK. This evaluation module (EVM) is an evaluation platform for the [ADS1672](#), a high-speed, single-channel, 24-bit, 625kHz delta-sigma analog-to-digital converter (ADC). The EVM allows evaluation of all aspects of the ADS1672 device using a standard serial CMOS interface. A complete circuit description, schematic diagram, and bill of materials are included.

The following related documents are available through the Texas Instruments web site at <http://www.ti.com>.

EVM-Compatible Device Data Sheets

Device	Literature Number
ADS1672	SBAS402
REF5030	SBOS410
THS4520	SLOS503
REF5025	SBOS410
OPA211	SBOS377
PCA9535	SCPS129

ADCPro is a trademark of Texas Instruments.
Microsoft, Windows are registered trademarks of Microsoft Corporation.
All other trademarks are the property of their respective owners.

Contents

1	EVM Overview	3
2	Introduction	3
3	Analog Interface.....	3
4	Reference Buffer	6
5	Power Supplies	6
6	Digital Interface	7
7	Clock Source	9
8	Use as a Stand-Alone EVM.....	10
9	EVM Operation	10
10	ADS1672EVM-PDK Kit Operation	12
11	About the MMB0.....	15
12	Evaluating with the ADCPro Software	21
13	Schematics and Layout.....	24

List of Figures

1	Location of Onboard Connectors J1, J2, W1, P1, P2, SW1, and P3	4
2	ADS1672EVM Input Signal Path	4
3	ADS1672 External Reference and Buffer	6
4	Digital Interface Connectors and Jumpers	7
5	W2 and W3 Jumpers for Onboard Clock	9
6	W2 and W3 Jumpers for External Modulator Clock	10
7	Connector W4 for GPIO Communication	10
8	ADS1672EVM Default Jumper Locations	11
9	MMB0 Initial Setup	13
10	Connecting ADS1672EVM to MMB0	14
11	Connecting an AC Adapter	15
12	Laboratory Power-Supply Connection.....	16
13	ADCPro Software Start-up Display Window	17
14	ADS1672EVM-PDK Plug-In Display Window.....	18
15	Found New Driver Wizard, Screen 1	19
16	Found New Driver Wizard, Screen 2	19
17	Found New Driver Wizard, Screen 3	20
18	Found New Driver Wizard, Screen 4	20
19	Found New Driver Wizard, Screen 5	21
20	FPATH settings	22
21	LL_CONFIG Settings	22
22	Data Rate Bits Setting Options	22
23	Modulator Clock and Post Averages Options	22
24	Power-Down Option.....	23
25	Progress Bar while Collecting Data	24

List of Tables

1	P3: External Analog Input Connector	5
2	J4 Configuration: Power-Supply Input	6
3	P2: External Digital I/O Connector.....	8
4	SW1: Supplemental Analog Interface Pinout	9
5	List of Switches	12
6	ADS1672EVM Bill of Materials	25

1 EVM Overview

ADS1672EVM Features:

- Contains all support circuitry needed for the ADS1672
- Voltage references onboard
- Clock options: onboard 20MHz ceramic oscillator or adjustable frequency
- GPIO access
- Compatible with the TI Modular EVM System

ADS1672EVM-PDK Features:

- Easy-to-use evaluation software for Microsoft® Windows® XP
- Data collection to text files
- Built-in analysis tools including scope, FFT, and histogram displays
- Complete control of board settings
- Easily expandable with new analysis plug-in tools from Texas Instruments

As a stand-alone unit, you can use the ADS1672EVM as a prototyping or troubleshooting tool.

For use with a computer, the ADS1672EVM-PDK is available. This kit combines the ADS1672EVM board with the DSP-based MMB0 motherboard, and includes ADCPro™ software for evaluation.

You can connect the ADS1672EVM through the MMB0 motherboard and then to a computer via an available USB port. This manual shows how to use the MMB0 as part of the ADS1672EVM-PDK, but does not provide technical details about the MMB0 itself.

ADCPro is a program for collecting, recording, and analyzing data from ADC evaluation boards. ADCPro has a number of plug-in programs, so it can be expanded easily with new test and data collection plug-ins. You control the ADS1672EVM-PDK with a plug-in that runs in ADCPro. For more information about ADCPro, see the [ADCPro™ Analog-to-Digital Converter Evaluation Software User's Guide](#) (literature number [SBAU128](#)), available for download from the TI web site.

This manual covers the operation of both the ADS1672EVM and the ADS1672EVM-PDK. It does not describe the MMB0 motherboard in detail. Throughout this document, the abbreviation *EVM* and the term *evaluation module* are synonymous with the ADS1672EVM.

2 Introduction

The ADS1672EVM is an evaluation module built to the TI Modular EVM System specification. You can connect the ADS1672EVM to any Modular EVM System interface card.

The ADS1672EVM is available as a stand-alone printed circuit board (PCB) or as part of the ADS1672EVM-PDK, which includes an MMB0 motherboard and software. As a stand-alone PCB, the ADS1672EVM is useful for prototyping designs and firmware development.

Note that the ADS1672EVM cannot run software. To connect it to a computer, some type of interface is required.

3 Analog Interface

The ADS1672EVM board applies 5V of power (VCC) to the ADS1672 (U6) and THS4520 (U2). The THS4520, a wideband, fully-differential amplifier, drives the differential inputs of the ADS1672. This device was selected because of its slew rate (570V/μs), settling time (7ns to 0.1%), low noise (2nV/√Hz) and low harmonic distortion (HD3: -123dBc at 100kHz).

Analog input signals to the THS4520/ADS1672 signal chain can be applied at connectors J1 (inverting input, -IN) and J2 (noninverting input, +IN) or P3-1 (-IN) and P3-2 (+IN). The P3 connector is an SMT plug on the top side of the PCB (as Figure 1 shows). The signal at +IN and -IN should be differential and centered at 2.5V.

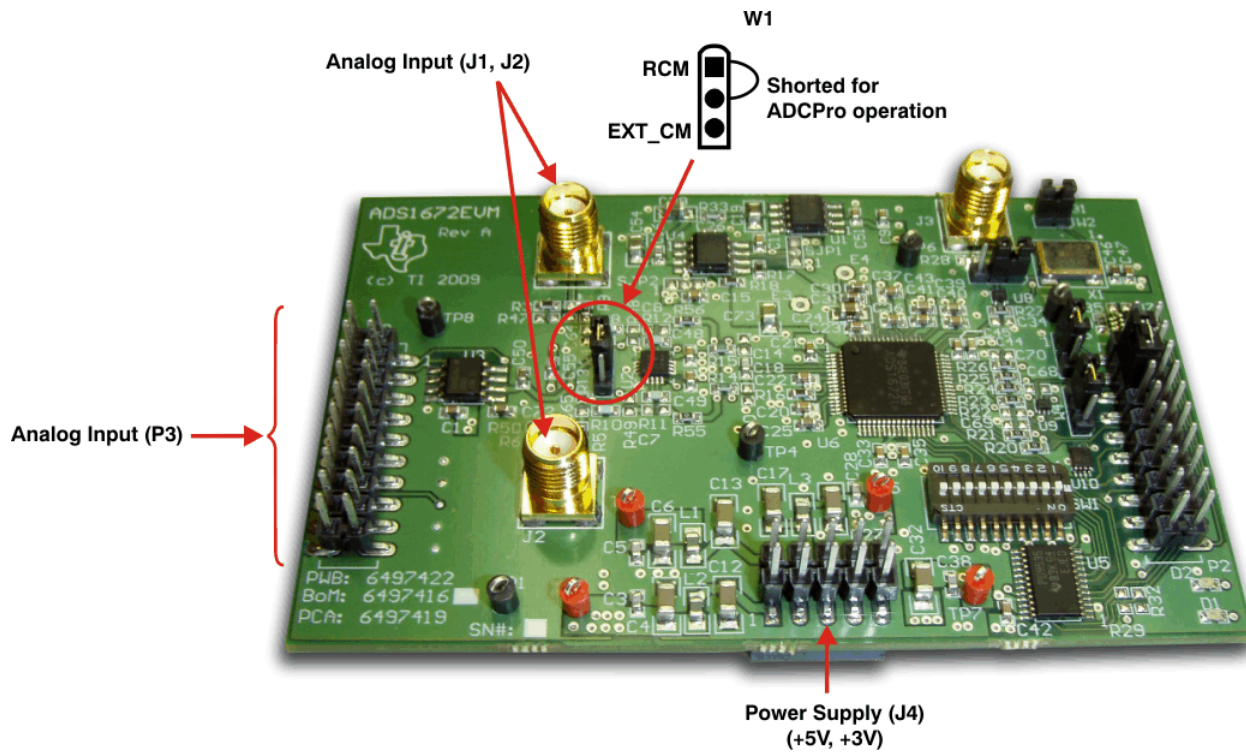


Figure 1. Location of Onboard Connectors J1, J2, W1, P1, P2, SW1, and P3

At the analog board inputs, +IN and -IN, there are termination resistors (R3, R6 = 49.9Ω) installed on the board at J1 and J2 (as Figure 2 illustrates). These resistors are followed by a capacitor between the inputs (C55 = 750pF) and resistors (R8, R10 = 383Ω) to the THS4520. Additional pads are available at the inputs of the THS4520 to allow insertion of capacitor and/or resistor networks.

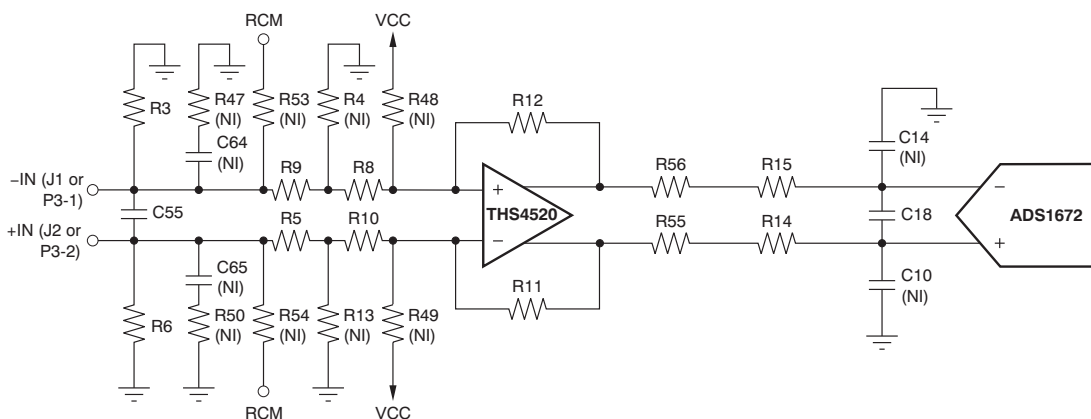


Figure 2. ADS1672EVM Input Signal Path

NOTE: If you are connecting the ADS1672EVM through the MMB0 board to ADCPro, there are no modifications required.

Following the THS4520, an R-C network connects directly to the ADS1672. This R-C network (R56, R15, C18, R55, and R14) acts as a first-order, anti-aliasing filter for the ADS1672. The corner frequency of the installed first-order filter is $1/[2\pi \times (10\Omega + 10\Omega) \times 750\text{pF}]$ or 10.6MHz. Pads are available to install more resistors and capacitors, as needed.

The common-mode voltage to the THS4520 is set at R_{CM} and can be connected to the analog board inputs +IN and –IN through R53 and R54 as shown in Figure 2. The output signal from the onboard REF5025 (U3) establishes this voltage at 2.5V. You can inject an external common-mode voltage into the THS4520 through P3-15 (as Table 1 shows). If this option is used, the shunt on W1 (an onboard jumper) must be moved to position 2-3 (see Figure 1). With this reconfiguration, R_{CM} in the input circuitry does not change, as shown in Figure 2. If the common-mode of the input signals center at a voltage other than $VCC/2$, pull-up resistors (R48 and R49) must be installed to maintain the proper input common-mode range to the THS4520 amplifier. The THS4520 performance degrades if operated beyond its specified range of 1.2V to 4.25V (when powered with 5V).

Samtec part number TSM-110-01-T-DV-P provides a convenient 20-pin, dual-row, header/socket combination at P3. As shown in Figure 1, the P3 header provides access to –IN and +IN of the ADS1672EVM board as well as the common-mode pins of the THS4520 (pins 4 and 9, CM). Consult Samtec at <http://www.samtec.com> or call 1-800-SAMTEC-9 for a variety of mating connector options. There is no filtering or protection on the P3 pins. Use appropriate caution when handling these pins. Table 1 summarizes the pin assignments for the analog interfaces on P3.

Table 1. P3: External Analog Input Connector

Pin Number	Signal	Description
P3.1	–IN	Inverting analog input
P3.2	+IN	Noninverting analog input
P3.3	NC	No connection
P3.4	NC	No connection
P3.5	NC	No connection
P3.6	NC	No connection
P3.7	NC	No connection
P3.8	NC	No connection
P3.9	NC	No connection
P3.10	NC	No connection
P3.11	GND	System ground
P3.12	NC	No connection
P3.13	GND	System ground
P3.14	NC	No connection
P3.15	EXT_COM	External common-mode voltage; connect to THS4520
P3.16	NC	No connection
P3.17	GND	System ground
P3.18	NC	No connection
P3.19	GND	System ground
P3.20	NC	No connection

4 Reference Buffer

The ADS1672 reference pins have switched capacitor inputs. At a clock rate of 20MHz (X1), a charge injection in and out of the ADS1672 reference input occurs. The external reference voltage that drives the ADS1672 reference pin must settle in less than 50ns. The REF5030 (U1) generates the 3.0V reference signal (Figure 3). The output of the REF5030 is heavily filtered to remove noise. The onboard OPA211 (U4) again filters and buffers the reference signal so that the reference signal noise to the ADS1672 is less than the noise generated by the converter itself. The OPA211 is a low-noise, unity-gain stable amplifier that provides a reliable current source for the ADS1672 reference input. The OPA211 and output decoupling capacitors work together to settle the VREFP (ADS1672) reference input voltage to within $\pm 1/2$ LSB, every 50ns. This board uses a 22 μ F ceramic capacitor with a 0.1 μ F ceramic capacitor directly across the reference inputs, VREFP and VREFN. Note that the 22 μ F and 0.1 μ F capacitors are placed as close to the ADS1672 reference pins as possible. These capacitors further reduce noise that is common to both inputs. The ADS1672 VREFN pin goes to ground.

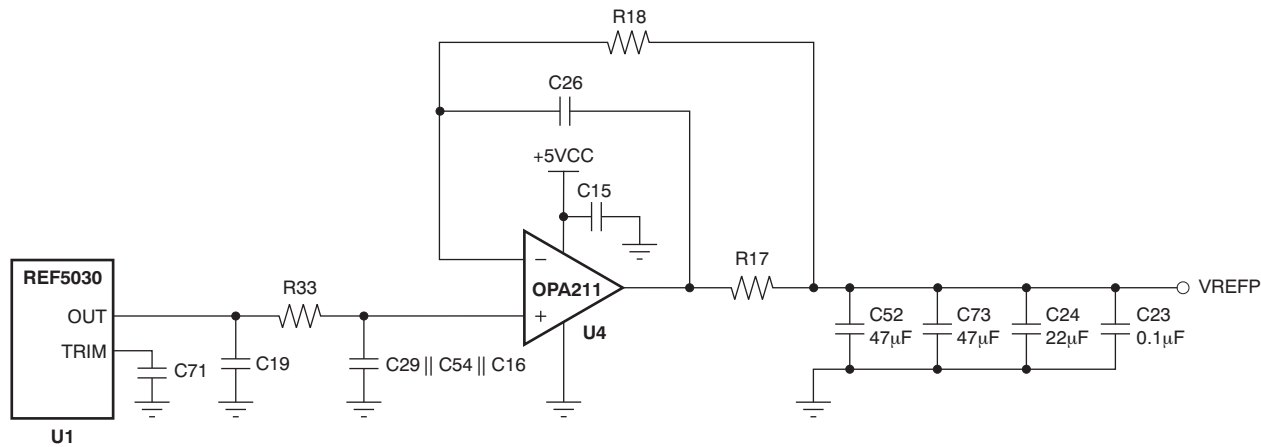


Figure 3. ADS1672 External Reference and Buffer

5 Power Supplies

J4 (see Figure 1) is the power-supply input connector. Table 2 lists the configuration details for J4.

Table 2. J4 Configuration: Power-Supply Input

Pin No.	Pin Name	Function	Required
J4.1	+VA	+VCC	Optional
J4.2	-VA	-VCC	Optional
J4.3	+5VA	+5VCC	Always
J4.4	NC	No connection	No
J4.5	NC	No connection	No
J4.6	AGND	Analog ground input	Always
J4.7	NC	No connection	No
J4.8	NC	No connection	No
J4.9	+3.3V	3.3V digital supply	Always
J4.10	NC	No connection	No

6 Digital Interface

It is easy to interface the ADS1672EVM board to multiple control platforms. The P2 connector (Figure 4, Samtec part number SSW-110-22-S-D-VS) provides a convenient digital access to the key ADS1672 I/O pins. Consult Samtec at <http://www.samtec.com> or call 1-800-SAMTEC-9 for a variety of mating connector options.

SW1, a 10-position DIP switch (Figure 4), gives users the ability to change the setting of the ADS1672 digital configuration pins when the EVM is used as a stand-alone evaluation board. Pull-up/-down resistors are provided to set the static state of the digital configuration pins. All position settings for SW1 must be off (factory default state) when the board is configured for use with ADCPro. The ADCPro software uses the PCS9535 at U5, a remote I²C I/O expander at address 32 (20h), to control the configuration pins. In addition, the pin setting for the SW1 switches must be off when using the I²C function for stand-alone systems. The ADS1672EVM does not support LVDS interface mode; only the standard 3.3V CMOS interface is supported.

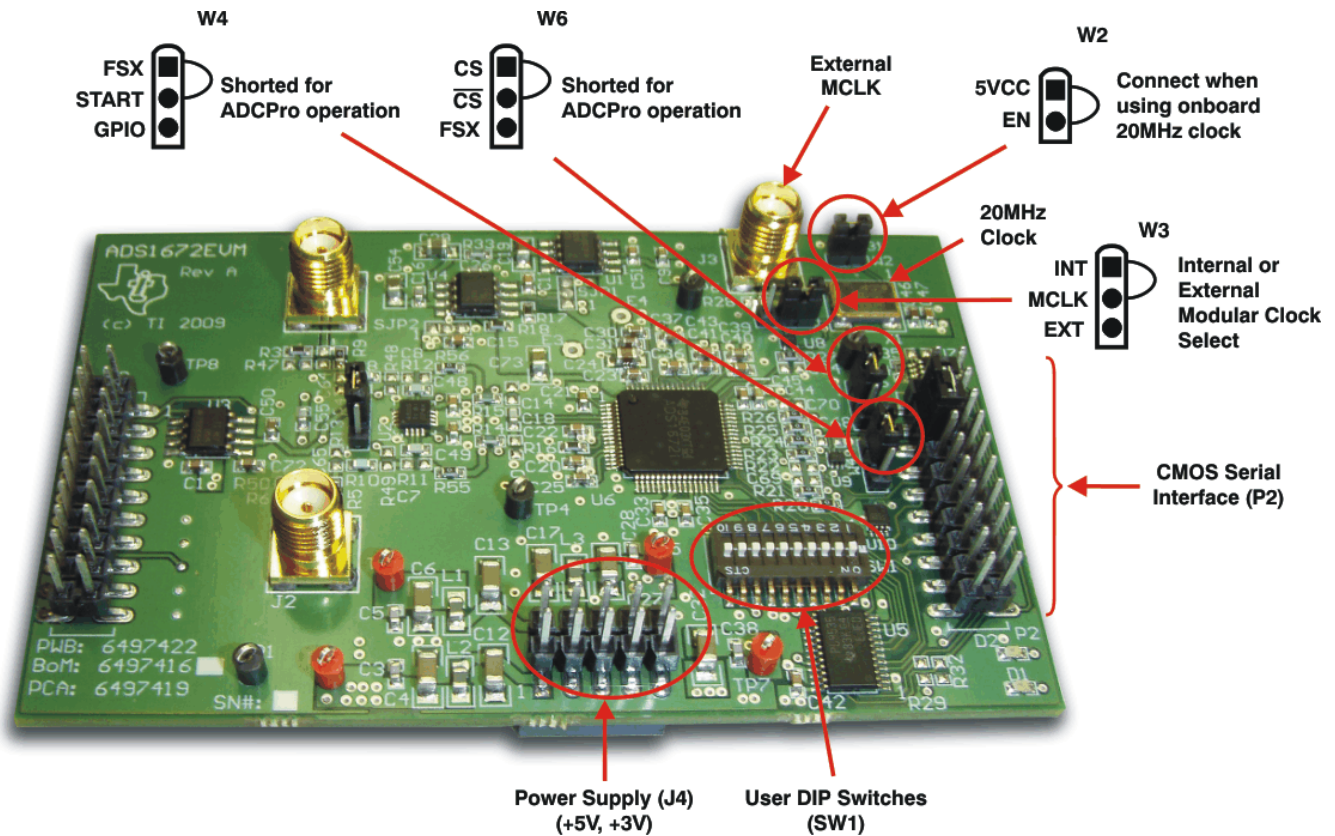


Figure 4. Digital Interface Connectors and Jumpers

6.1 Serial Data Interface, P2

The P2 connector (Table 3) is used for the digital interface to MMB0 and ADCPro. All logic levels on P2 are 3.3V CMOS.

Table 3. P2: External Digital I/O Connector

Pin Number	Signal	Description
P2.1	\overline{CS}	Chip select, active low
P2.2	OTRD	Digital filter out-of-range indicator. High on rising edge of \overline{DRDY} . If conversion is in range, OTRD returns low on next rising edge of \overline{DRDY} .
P2.3	CLKX	Serial transmit clock from processor. Jumper connect to P2.5 installed at factory.
P2.4	GND	System ground
P2.5	CLKR	Serial receive clock from ADS1672EVM
P2.6	NC	No connection
P2.7	FSX	Frame sync signal from processor
P2.8	NC	No connection
P2.9	FSR	Frame sync return to processor (sourced from the \overline{DRDY} output of the ADS1672)
P2.10	GND	System ground
P2.11	NC	No connection
P2.12	NC	No connection
P2.13	DRR	Serial data into processor
P2.14	NC	No connection
P2.15	\overline{DRDY}	Interrupt source to processor (sourced from the \overline{DRDY} output pin)
P2.16	SCL	I ² C serial shift clock (NOTE: For this function to work, all SW1 switches should be in the off position)
P2.17	GPIO	General-purpose pin. Can be used to toggle start.
P2.18	GND	System ground
P2.19	NC	No connection
P2.20	SDA	I ² C data signal (NOTE: For this function to work, all SW1 switches should be in the off position)

6.2 Digital Control Signal PIN Configuration, SW1

When using the I²C function through U5 (with or without ADCPro connected), all SW1 switches should be in the OFF position (see Figure 4).

The data clock and data out communications are directed through P2. All remaining ADS1672 digital control pins are configured with SW1. Table 4 describes the settings of the digital configuration switches.

The shunt on W3 must be moved to cover pin positions 2 and 3 in order to use the external clock applied to J3. The control signal operating modes in Table 4 are further explained in the ADS1672 data sheet.

NOTE: All SW1 switches must be configured in the OFF position when using ADCPro software.

Table 4. SW1: Supplemental Analog Interface Pinout

Pin Number	Signal	Description
SW1.1	DRATE2	Data rate selection, bit 1 (oversampling ratio select pin)
SW1.2	DRATE1	Data rate selection, bit 0 (oversampling ratio select pin)
SW1.3	NC	No connection
SW1.4	FPATH	Digital filter path selection: If FPATH = '0', then path is wide-bandwidth; if FPATH = '1', then path is low-latency
SW1.5	LL_CONFIG	Configure low-latency digital filter: If LL_CONFIG = '0', then single-cycle settling is selected; if LL_CONFIG = '1', the fast-response is selected
SW1.6	LVDS	This pin should always be in its off position or '0'. The LVDS interface is not supported on this EVM.
SW1.7	SCLK_SEL	Shift-clock source select: If SCLK_SEL = '0', then SCLK is internally generated; if SCLK_SEL = '1', then SCLK must be externally generated
SW1.8	PDWN	Power-down control; active low
SW1.9	NC	No connection
SW1.10	NC	No connection

7 Clock Source

You can either select the onboard 20MHz crystal oscillator as the master clock for the ADS1672, or apply an external clock signal through J3. When the onboard 20MHz clock is used, the W2 jumper must be installed (Figure 5). W2 is an *enable* function for the onboard crystal oscillator (X1). W3 in positions 1-2 sends the onboard clock to the DUT by way of the buffer, U8. When using an external clock, move the W3 jumper (see Figure 4 and Figure 5) on pins 1-2 to cover pins 2-3, and remove the W2 jumper (see Figure 6) to disable X1. Then apply your clock source to J3. Otherwise, simply remove the jumper when an external clock is inserted at J3.

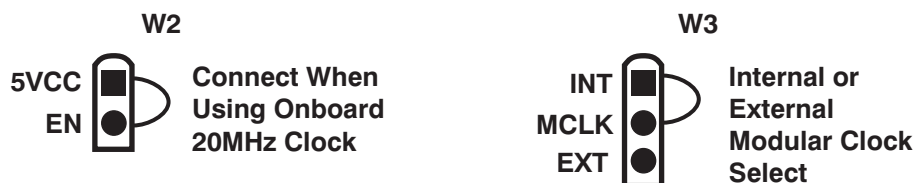


Figure 5. W2 and W3 Jumpers for Onboard Clock

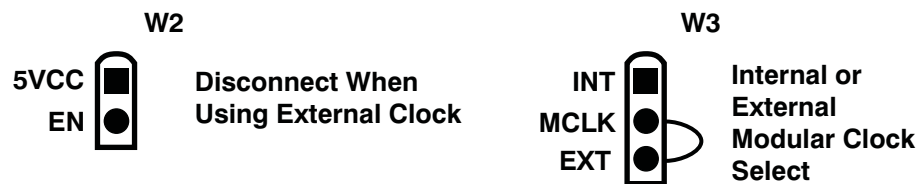


Figure 6. W2 and W3 Jumpers for External Modulator Clock

8 Use as a Stand-Alone EVM

The ADS1672EVM can be used as a stand-alone EVM, provided that the proper control signals are applied to serial input connector P2 (top or bottom side). The required power supplies (+5VA and +3.3VD) can be connected directly to J4 pins 3 and 9 or test points TP5 and TP7, respectively. Both supplies are referenced to J4 pin 6 or TP8, and should be sourced from clean, well-regulated lab supplies for best performance. The minimum control lines necessary are the active-low chip select (\overline{CS}) and START inputs, which are applied to P2 pins 1 and 7. If an external serial clock is desired, the signal is applied to P2 pin 5. The ADS1672 digital configuration pins can be set statically by using SW1, or can be manipulated through U5 by an I²C controller connected to P2 pins 16 and 20 (all SW1 positions must be set to off when using U5). For additional details, please see section [Section 9](#) of this document and review the ADS1672 datasheet.

9 EVM Operation

This section provides information on the analog input, digital control, and general operating conditions of the ADS1672EVM.

9.1 Analog Input

The differential analog input to the ADS1672EVM board is applied through J1 (–IN) and J2 (+IN) or P3.1 (–IN) and P3.2 (+IN).

9.2 Digital Control

The digital control signals can be applied directly to P2 (top or bottom side). The modular ADS1672EVM can also be connected directly to a DSP or microcontroller interface board, such as the [5-6K Interface EVM](#) or [HPA-MCU Interface](#) boards available from Texas Instruments. For a complete list of compatible interface and/or accessory boards for the EVM or the ADS1672, see the relevant product folder on the TI web site.

Some of the digital signals to the ADS1672 are controlled using three methods: SW1 slide switches, GPIO pins through P2.17 (W4 configured to GPIO), or I²C control using U5.

You can access a general-purpose input/output (GPIO) port through P2.17 by also connecting W4.2 (START) to W4.3 (GPIO), as shown in [Figure 7](#). Otherwise, for proper ADCPro operation, pin 1 (FSX) is connected by a jumper to pin 2 (START).

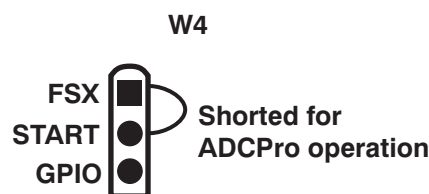


Figure 7. Connector W4 for GPIO Communication

9.3 ADS1672EVM-PDK Power Supply

The ADS1672EVM can be powered with the J4 connector or by attaching the MMB0 board. The MMB0 board provides the 5-V and 3.3-V power to the ADS1672EVM. Because the circuitry is provided on the ADS1672EVM, the complete system can be powered by an external AC adapter (not included) that meets the following requirements:

- Output voltage: 5.5 VDC to 15 VDC
- Maximum output current: ≥ 500 mA
- Output connector: barrel plug (positive center), 2.5-mm I.D. \times 5.5-mm O.D. (9-mm insertion depth)
- Complies with applicable regional safety standards

9.4 Default Jumper Settings and Switch Positions

Figure 8 shows the jumpers found on the EVM and the factory default conditions for each.

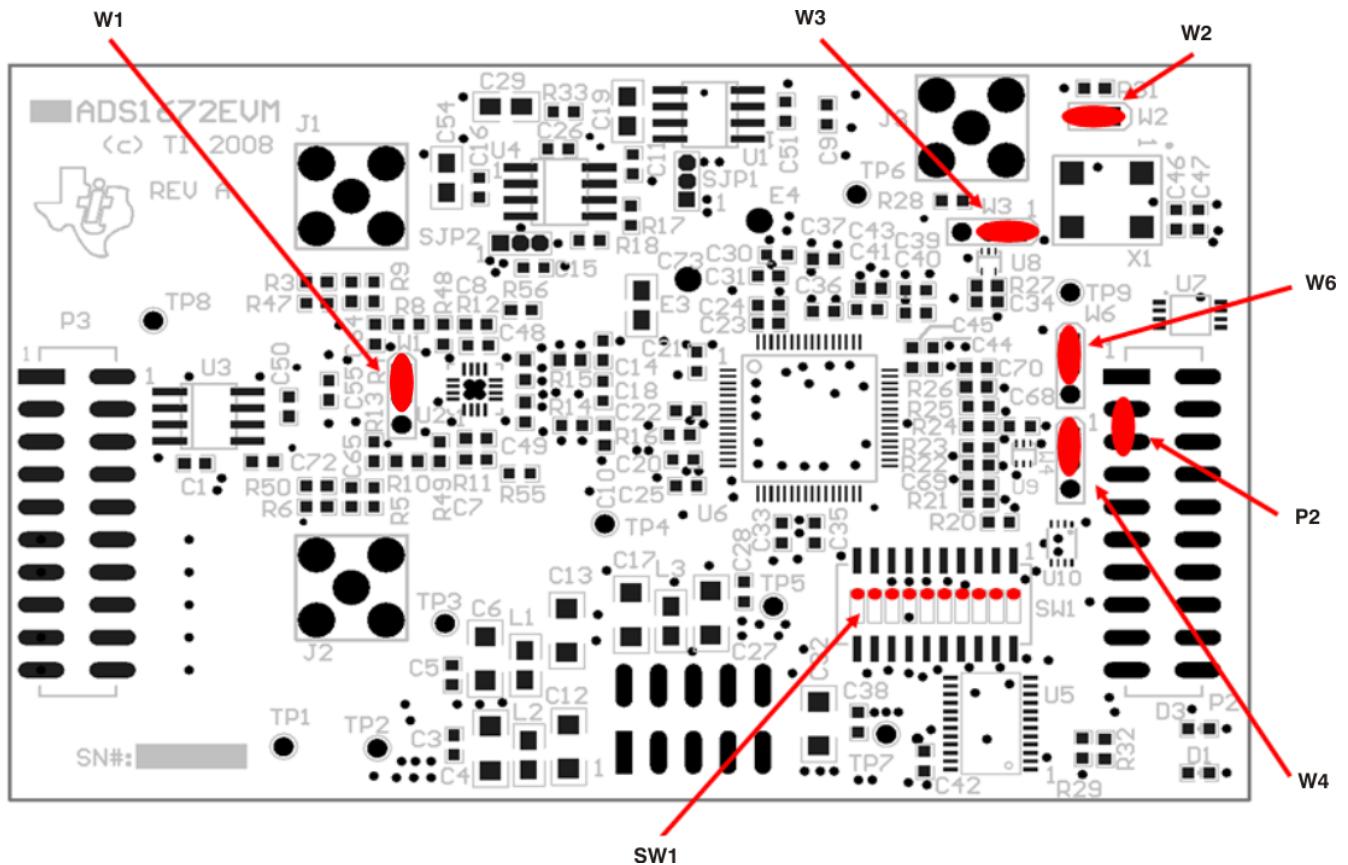


Figure 8. ADS1672EVM Default Jumper Locations

Table 5 provides a list of switches found on the EVM and the factory default conditions for each.

Table 5. List of Switches

Switch	Default Position	Switch Description
W1	Not installed	Selects U2 (THS4520) CM input source
W2	Short across pins	Onboard 20MHz Oscillator
W4	Top two pins shorted	Configures board for ADCPro operation
W6	Top two pins shorted	Configures board for ADCPro operation
SW1	All 10 switches in OFF position	Configures board for ADCPro operation
P2	Pins 3 and 5 shorted	Connects CLKX TO CLKR

10 ADS1672EVM-PDK Kit Operation

This section provides information on using the ADS1672EVM-PDK, including setup, program installation, and program usage.

CAUTION

Do not connect the ADS1672EVM-PDK before installing the ADCPro software on a suitable PC. Failure to observe this caution may cause Windows to not recognize the ADS1672EVM-PDK as a connected device.

To prepare to evaluate the ADS1672 with the ADS1672EVM-PDK, complete the following steps:

- Step 1. Install the ADCPro software (if not already installed) on a PC.
- Step 2. Install the ADS1672EVM-PDK EVM plug-in software.
- Step 3. Set up the ADS1672EVM-PDK.
- Step 4. Connect a proper power supply or use an AC adapter (not included).
- Step 5. Run the ADCPro software.
- Step 6. Complete the Microsoft Windows USB driver installation process.

Each task is described in the subsequent sections of this document.

10.1 Installing the ADCPro Software

The latest software is available from Texas Instruments' website at <http://www.ti.com/>. The CD-ROM shipped with the ADS1672EVM may not contain the latest software, but the ADCPro installer will check for updates when executed (if connected to the Internet), and then give you the option of downloading and installing the latest version. Refer to the <http://focus.ti.com/lit/ug/sbau128/sbau128.pdf> for instructions on installing and using ADCPro.

To install the ADS1672EVM-PDK plug-in, run the file: **ads1672evm-pdk-plug-in-1.0.0.exe** (1.0.0 is the version number, and increments with software version releases; you may have a different version on your CD). Double-click the file to run it; then follow the instructions shown. After installation, you can use the ADCPro *Update Check* feature to check for newer versions of the ADS1672EVM-PDK plug-in.

The software should now be installed, but the USB drivers may not have been loaded by the PC operating system. The USB driver upload step will complete when the ADCPro software is executed (see [Section 11.2, Running the Software and Completing the Driver Installation](#)).

10.2 Setting Up the ADS1672EVM-PDK

The ADS1672EVM-PDK contains both the ADS1672EVM and the MMB0 motherboard; however, the devices are shipped unconnected. Follow these steps to set up the ADS1672EVM-PDK:

- Step 1. Unpack the ADS1672EVM-PDK kit.
- Step 2. Set the jumpers and switches on the MMB0 as shown in [Figure 9](#).
 - Set the Boot Mode switch to USB.
 - Connect +5V and +5VA on jumper block J13 (if +5V is supplied from J14 +5VA).
 - Leave +5V and +VA disconnected on jumper block J13.
 - If the PDK will be powered from an ac adapter, connect J12. If the PDK will be powered through the terminal block, disconnect J12. See [Section 9.3](#) for details on connecting the power supply.

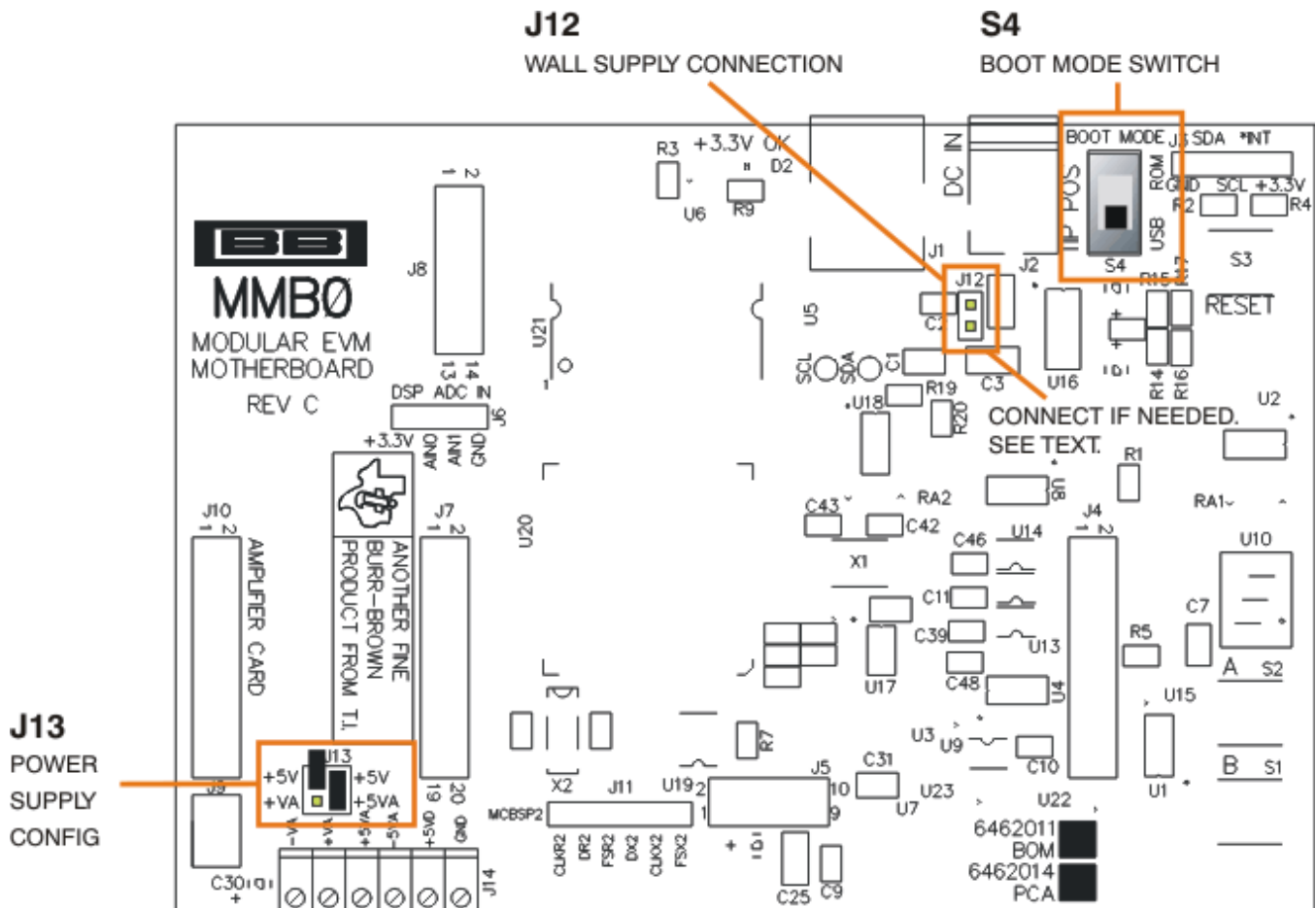


Figure 9. MMB0 Initial Setup

Step 3. Plug the ADS1672EVM into the MMB0 as [Figure 10](#) illustrates.

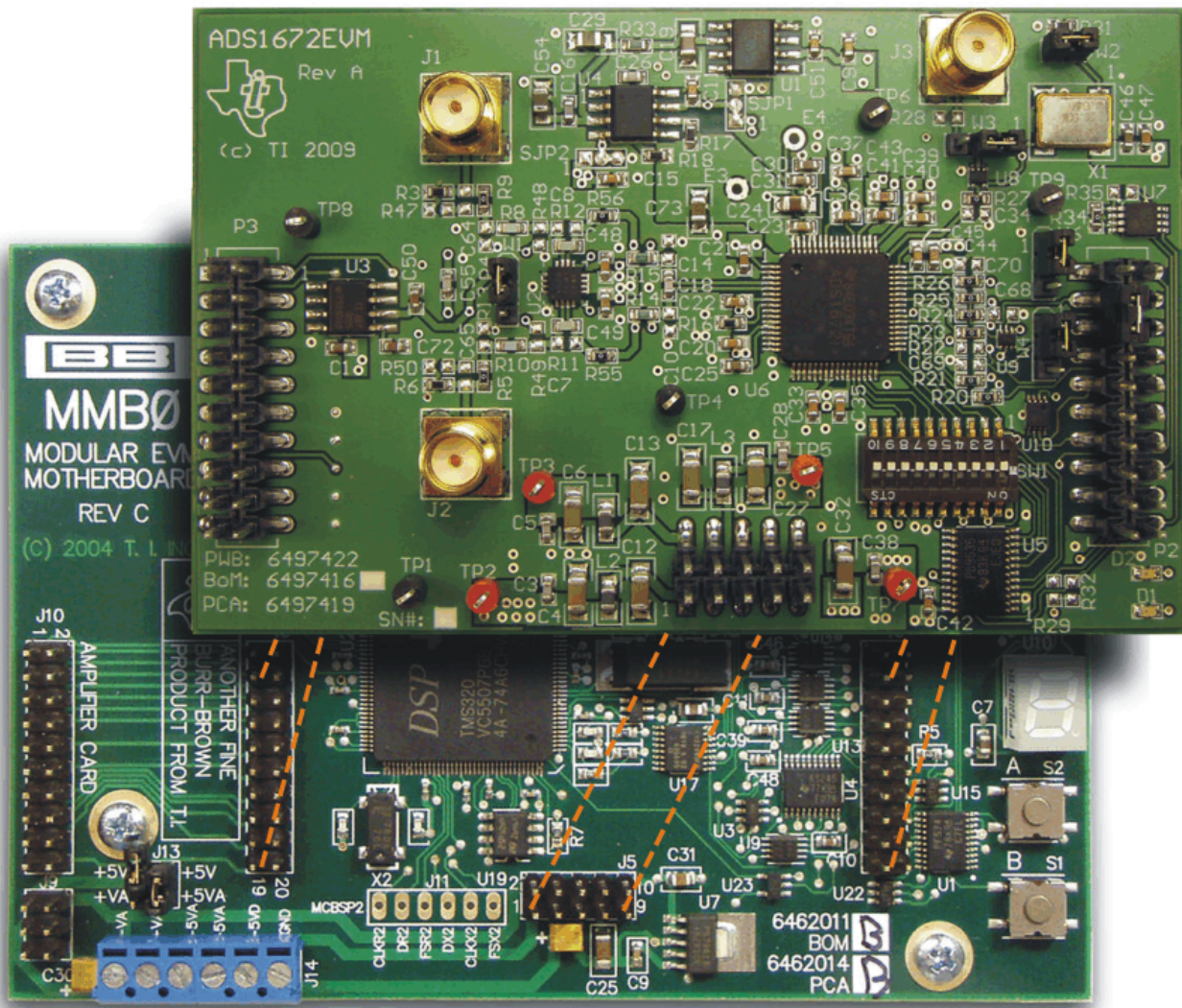


Figure 10. Connecting ADS1672EVM to MMB0

CAUTION

Do not misalign the pins when plugging the ADS1672EVM into the MMB0. Check the pin alignment carefully before applying power to the PDK.

Step 4. Set the jumpers and switches on the ADS1672EVM as shown in [Figure 8](#) (note that these settings are the factory-configured settings for the EVM).

11.1.2 Connecting a Laboratory Power Supply

A laboratory power supply can be connected through terminal block J14 on the MMB0, as shown in Figure 12.

To use a unipolar lab power supply configuration:

- Disconnect J12 on the MMB0.
- Connect a +5V dc supply to the +5VD terminal on J14.
- Connect ground of the dc supply to the GND terminal on J14.

It is not necessary to connect a +5V dc supply voltage to the +5VA terminal on J14 if the +5V/+5VA position on J13 is shorted.

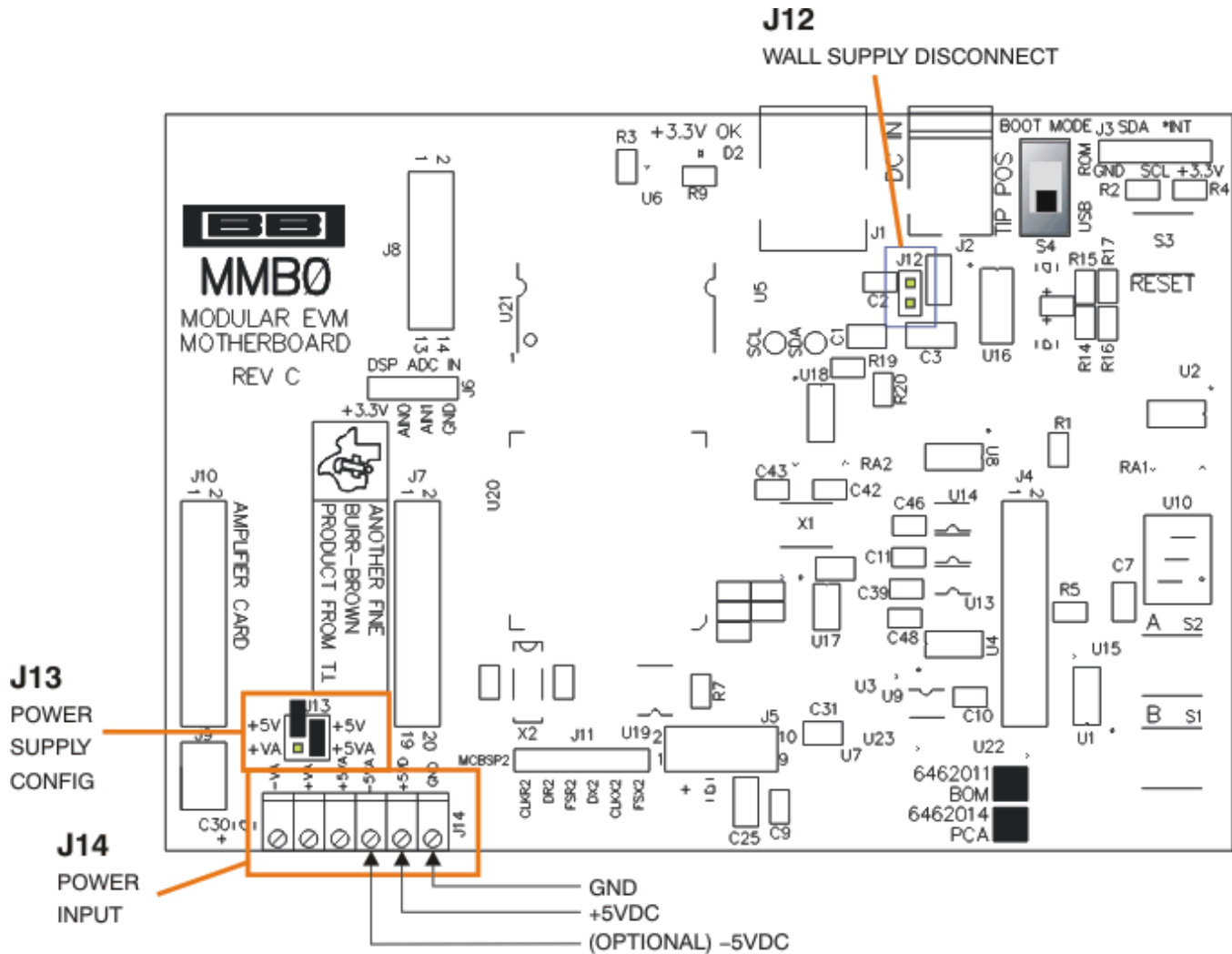


Figure 12. Laboratory Power-Supply Connection

11.2 Running the Software and Completing the Driver Installation

NOTE: The software is continually under development. These instructions and screen images are current at the time of this writing, but may not exactly correspond to future releases.

The program for evaluating the ADS1672EVM-PDK is called ADCPro. This program uses plug-ins to communicate with the EVM. The ADS1672EVM-PDK plug-in is included in the ADS1672EVM-PDK package.

The program currently runs only on Microsoft Windows platforms of WindowsXP.

Follow these procedures to run ADCPro and complete the necessary driver installation.

Step 1. Start the software by selecting ADCPro from the Windows Start menu. The screen in [Figure 13](#) appears.

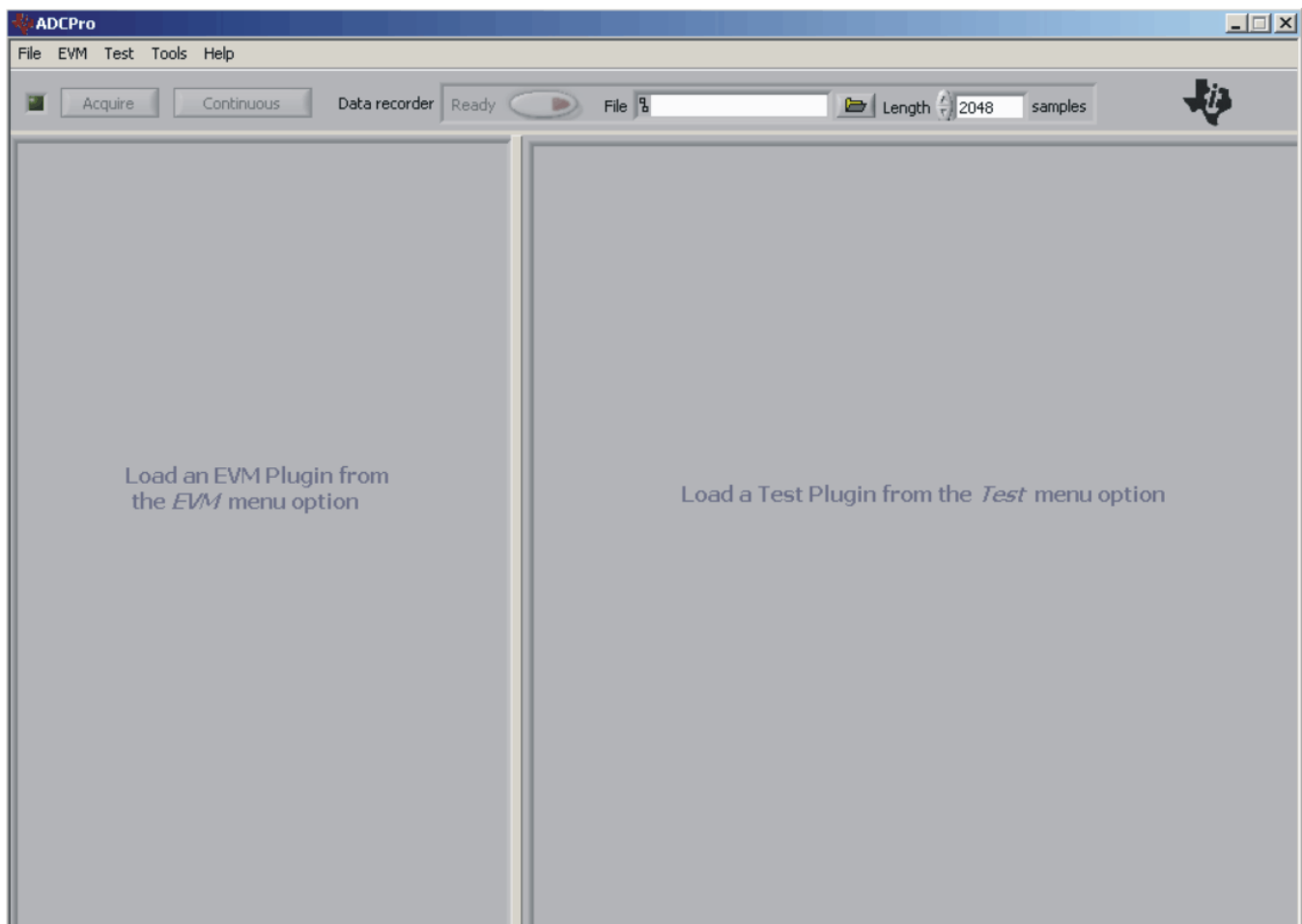


Figure 13. ADCPro Software Start-up Display Window

- Step 2. Select *ADS1672EVM* from the EVM drop-down menu. The *ADS1672EVM-PDK* plug-in appears in the left pane, as shown in [Figure 14](#).

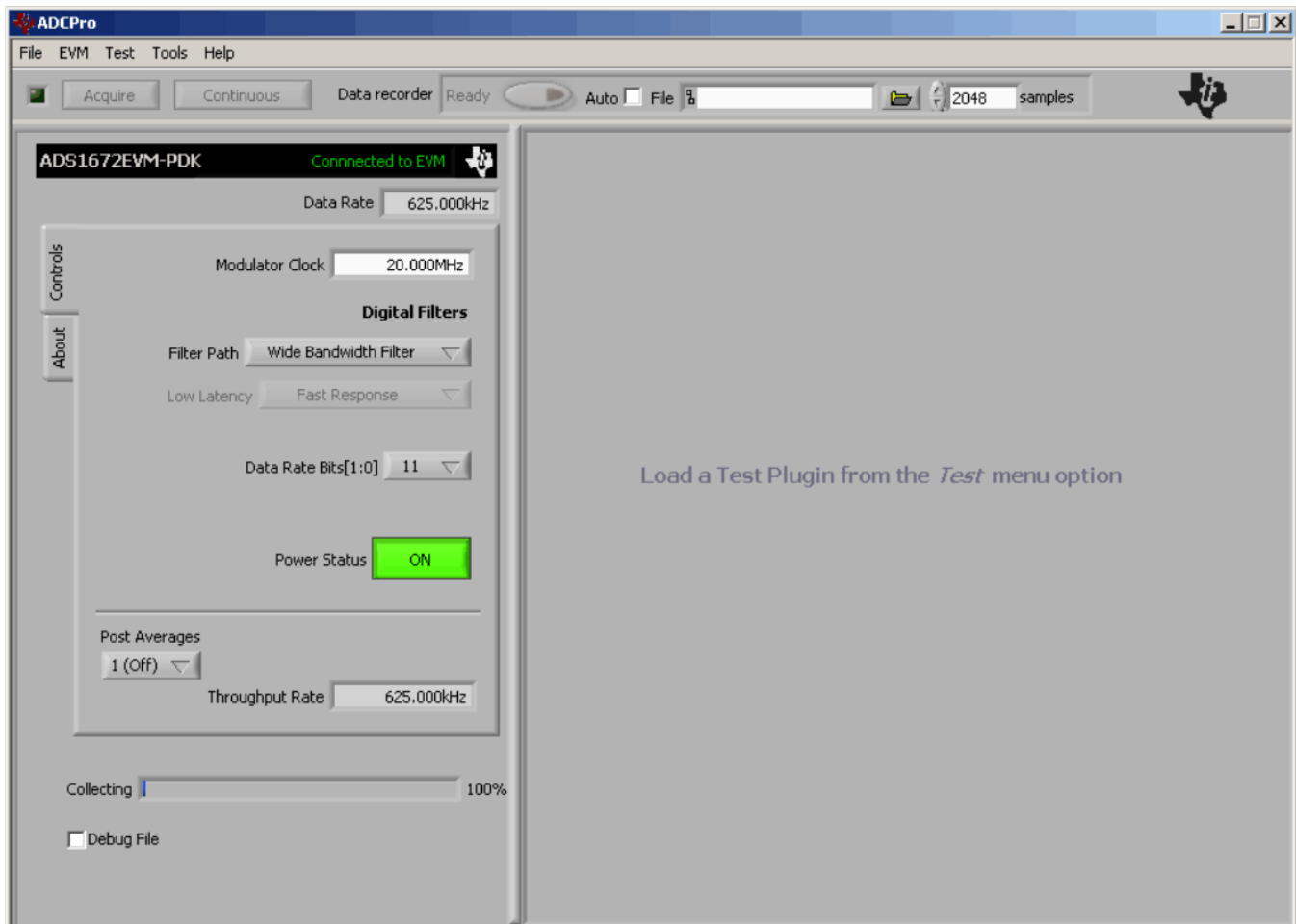


Figure 14. ADS1672EVM-PDK Plug-In Display Window

- Step 3. The *ADS1672EVM-PDK* plug-in window has a status area at the top of the screen. When the plug-in is first loaded, the plug-in searches for the board. You will see a series of messages in the status area that indicate this action.
- Step 4. Apply power to the PDK and connect the board to an available PC USB port.
- Step 5. If you have not yet loaded the operating system drivers, Windows will display the Windows *Found New Driver Wizard* sequence (illustrated in [Figure 15](#) through [Figure 19](#)). Accept the default settings.



Figure 15. Found New Driver Wizard, Screen 1

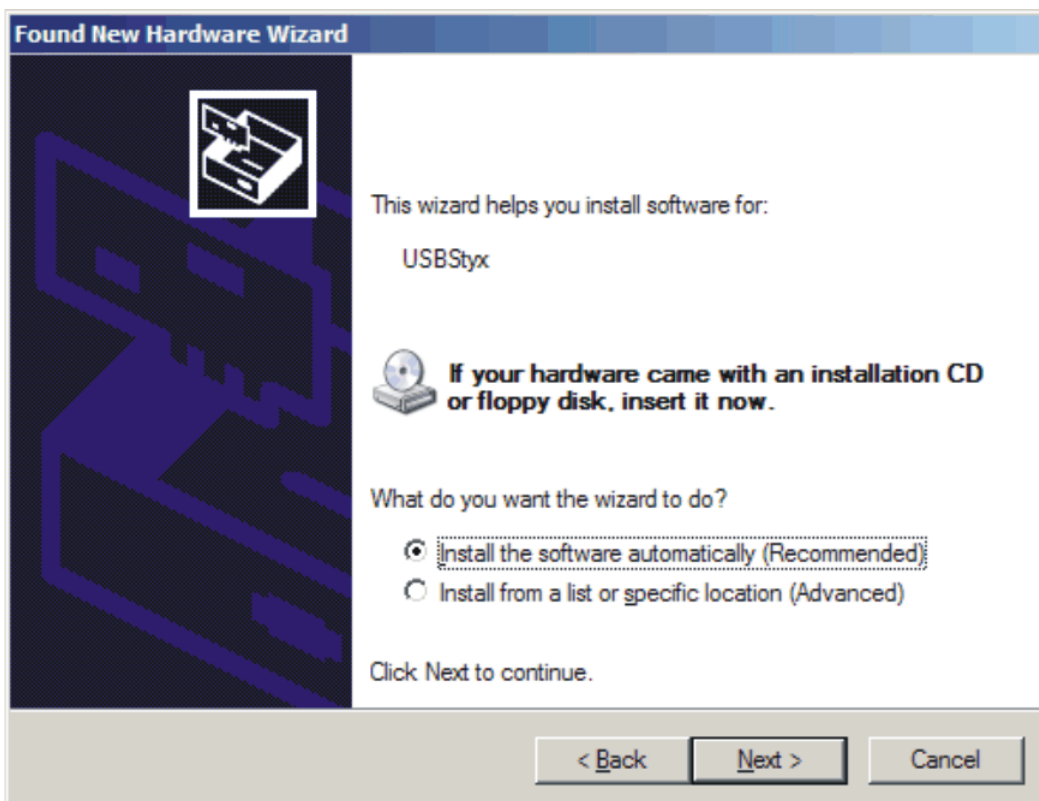


Figure 16. Found New Driver Wizard, Screen 2

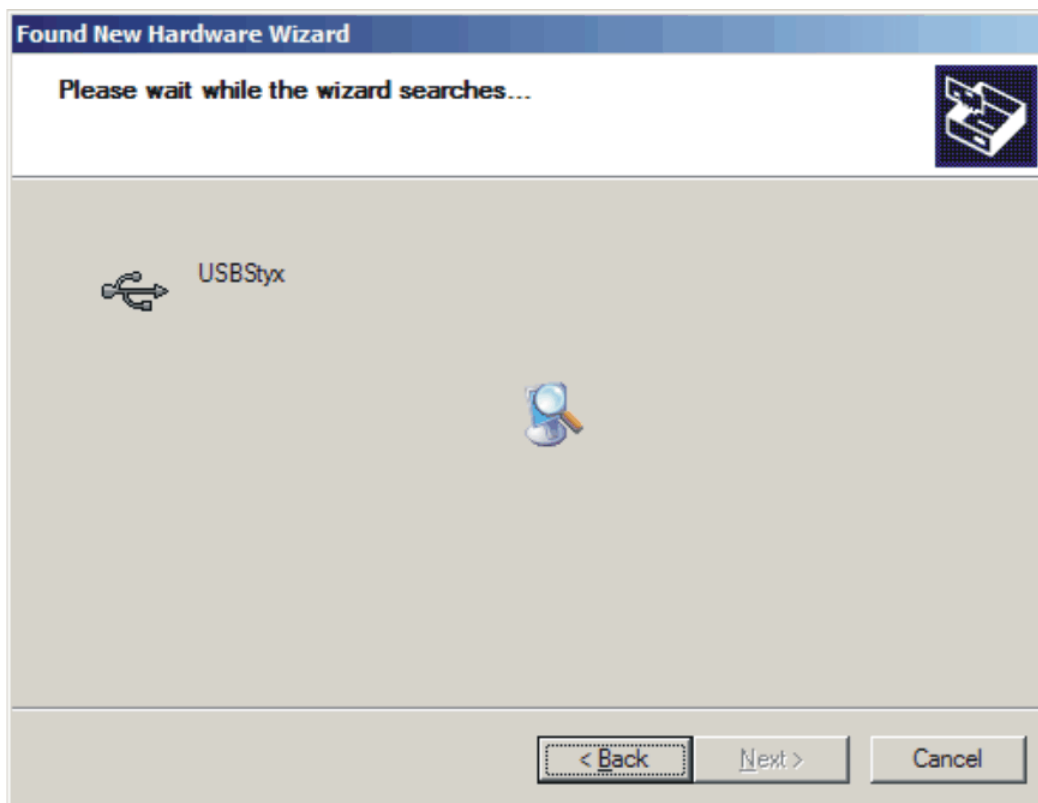


Figure 17. Found New Driver Wizard, Screen 3

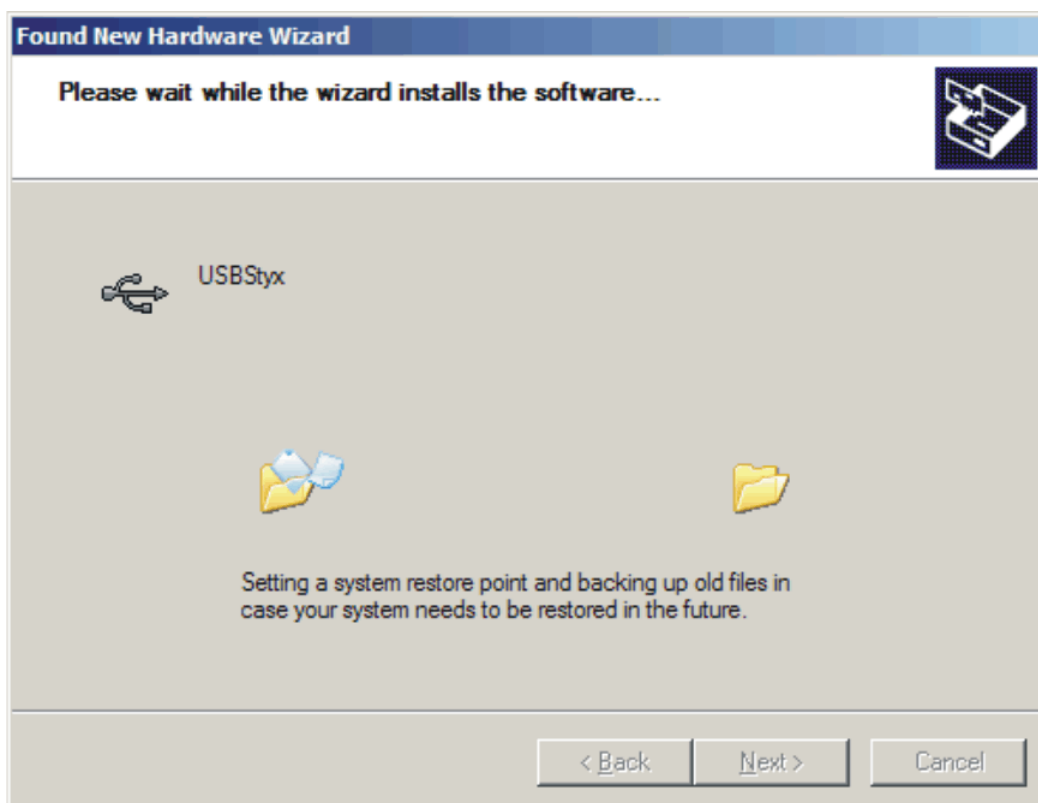


Figure 18. Found New Driver Wizard, Screen 4

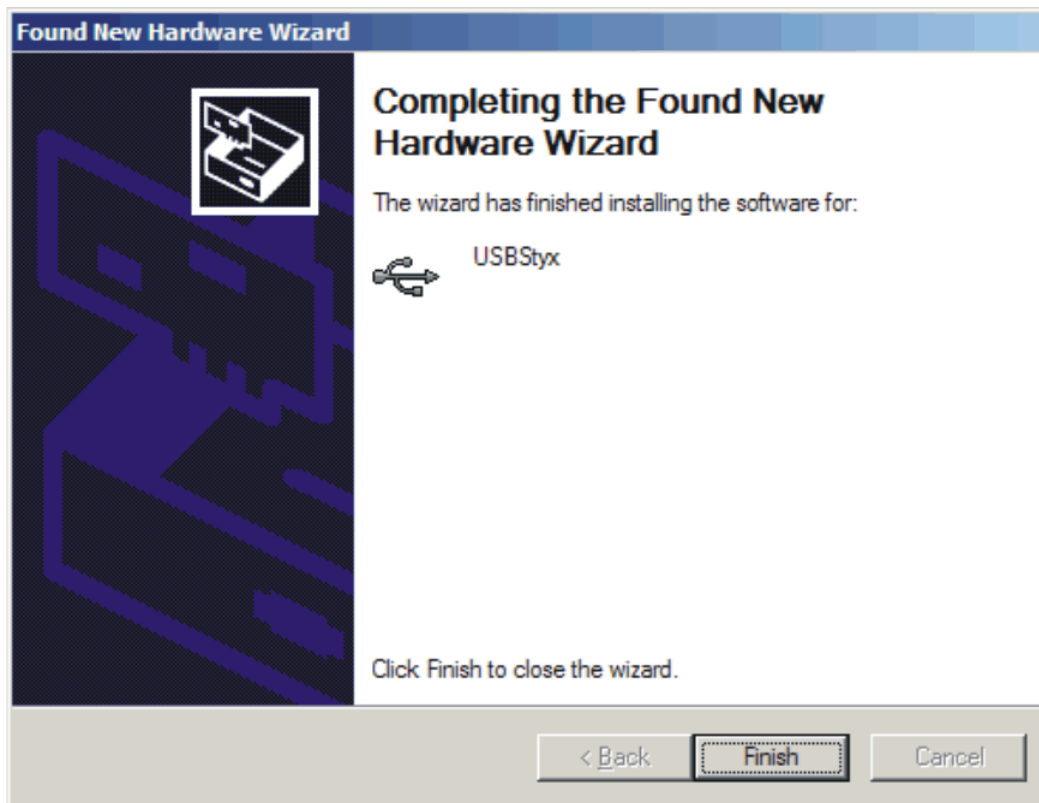


Figure 19. Found New Driver Wizard, Screen 5

- Step 6. When Windows installs the software driver, the plug-in downloads the firmware to the MMB0.
- Step 7. Windows will display the installation wizard a second time. Again, accept the default settings.
- Step 8. The status area displays a *connected* message. The software is now ready to use.

The *Found New Driver* wizard sequence should not appear again, unless you connect the board to a different USB port.

12 Evaluating with the ADCPro Software

The evaluation software is based on ADCPro, a program that operates using a variety of plug-ins. The ADS1672EVM plug-in is installed as described in [Section 11.2, Running the Software and Completing the Driver Installation](#).

To use ADCPro, load an EVM plug-in and a test plug-in. To load an EVM plug-in, select it from the *EVM* menu. To load a test plug-in, select it from the *Test* menu. To unload a plug-in, select the *Unload* option from the corresponding menu.

Only one of each type of plug-in (EVM and Test) can be loaded at a time. If you select a different plug-in, the previous plug-in is unloaded.

12.1 Using the ADS1672EVM-PDK Plugin

The ADS1672EVM-PDK plug-in for ADCPro provides complete control over all settings of the ADS1672. It consists of a tabbed interface (see [Figure 14](#)), with all of the functions available on the main tab. The controls on the main tab are described in this section.

You can adjust the ADS1672EVM settings when you are not acquiring data. During acquisition, all controls are disabled and settings may not be changed.

When you change a setting on the ADS1672EVM plug-in, the setting is immediately updated on the board.

Settings on the ADS1672EVM correspond to settings described in the ADS1672 data sheet; see the [ADS1672](#) data sheet (available for download at the www.ti.com) for details.

Because the effective data rate of the ADS1672 depends on settings of the Modulator Clock and the operating modes of FPATH, LL_CONFIG, and the Data Rate Bits, the **Data Rate** indicator (in the upper right corner of the plug-in interface) is always visible and updated whenever a setting is changed that affects the data rate.

12.1.1 Settings Tab

The FPATH control (illustrated in [Figure 20](#)) can configure the ADS1672 digital filter as a Wide-Bandwidth Filter or Low-Latency Filter setting.



Figure 20. FPATH settings

The LL_CONFIG control can configure the ADS1672 in a Single Cycle Settling mode or Fast Response. [Figure 21](#) shows the LL_CONFIG options.

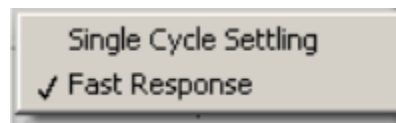


Figure 21. LL_CONFIG Settings

The Data Rate Bits can be configured as 00b, 01b, 10b, or 11b. [Figure 22](#) shows the Data Rate Bits options.

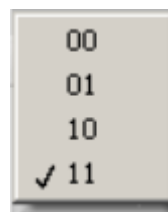


Figure 22. Data Rate Bits Setting Options

The Modulator Clock can be configured to match the onboard oscillator (20MHz) or the external clock. The setting of the Modulator clock in ADCPro will change the Data Rate indicator in the top right corner of the plug-in interface. The Post Averages option is used to average the data output results after data have been collected. [Figure 23](#) shows the Modulator Clock and Post Averages options.

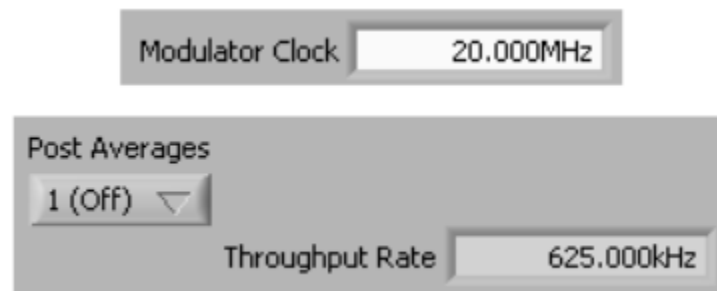


Figure 23. Modulator Clock and Post Averages Options

The Data Rate of a conversion is posted in the upper left corner of the ADC1672 plug-in screen. Under the Date Rate, a power-down switch can be implemented. This power-down affects the ADS1672 on the EVM board. [Figure 24](#) shows the power-down option.

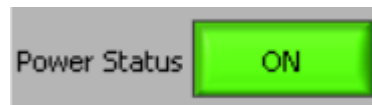


Figure 24. Power-Down Option

12.1.2 Collecting Data

After you have configured the ADS1672 for your test scenario, pressing the ADCPro **Acquire** button will start the collection of the number of data points specified in the test plug-in *Block Size* control. The ADS1672EVM-PDK plug-in disables all the front panel controls while acquiring data, and displays a progress bar as shown in [Figure 25](#).

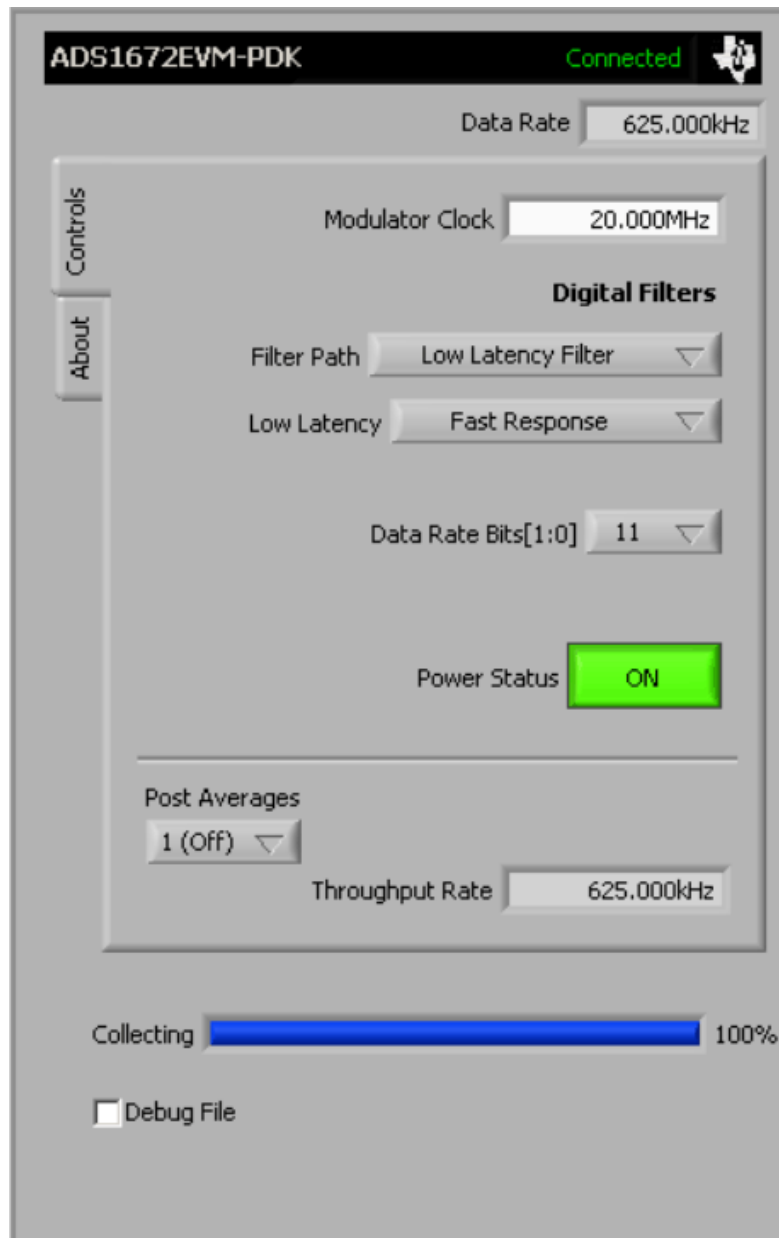


Figure 25. Progress Bar while Collecting Data

For more information on testing analog-to-digital converters in general and using ADCPro and test plug-ins, refer to the [ADCPro™ Analog-to-Digital Converter Evaluation Software User's Guide](#).

12.2 Troubleshooting

If ADCPro stops responding while the ADS1672EVM-PDK is connected, try unplugging the power supply from the PDK, making sure to unload and reload the plug-in before reapplying power to the PDK.

13 Schematics and Layout

Schematics for the ADS1672EVM are appended to this user's guide. The bill of materials is provided in [Table 6](#).

NOTE: Board layouts are not to scale. These figures are intended to show how the board is laid out; they are not intended to be used for manufacturing ADS1672EVM PCBs.

13.1 Bill of Materials

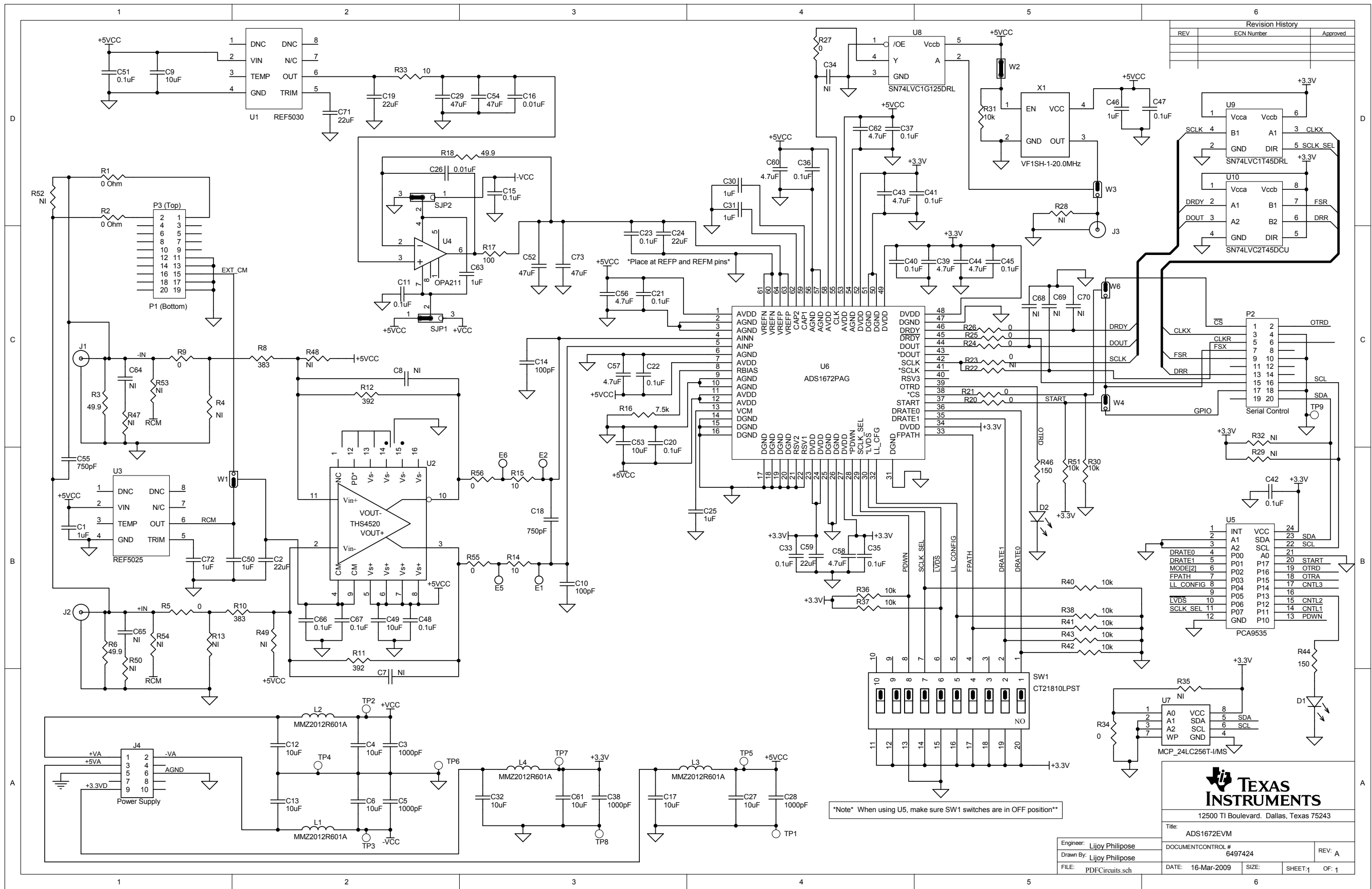
NOTE: All components should be compliant with the European Union Restriction on Use of Hazardous Substances (RoHS) Directive. Some part numbers may be either leaded or RoHS. Verify that purchased components are RoHS-compliant. (For more information about TI's position on RoHS compliance, see the [Quality and Eco-Info information on the TI web site.](#))

Table 6. ADS1672EVM Bill of Materials

Item No.	Qty	Value	Reference Designators	Description	Vendor	Part Number
1	12	0	R5, R9, R20, R21 R22, R24, R25, R26, R27, R33, R55, R56	RES 0Ω 1/16W 5% 0603 SMD	Panasonic: ECG or Alternate	ERJ-3GEY0R00V
2	3	10	R14, R15, R17	RES 10.0Ω 1/10W 0.1% 0603 SMD	Vishay Dale	TNPW030610R0BT9
3	3	49.9	R3, R6, R18	RES 49.9Ω 1/10W 1% 0603 SMD	Panasonic: ECG or Alternate	ERJ-3EKF49R9V
4	3	150	R44, R45, R46	RES 150Ω 1/10W 1% 0603 SMD	Panasonic: ECG or Alternate	ERJ-3EKF1500V
5	2	383	R8 R10	RES 383Ω 1/10W 0.1% 0603 SMD	BCC	2312-201-73831
6	2	392	R11 R12	RES 392Ω 1/10W 0.1% 0603 SMD	BCC	2312-201-73921
7	1	6.04k	R16	RES 6.04kΩ 1/10W 1% 0603 SMD	Panasonic: ECG or Alternate	ERJ-3EKF6041V
8	13	10k	R7, R19, R30, R31, R35, R36, R37, R38, R40, R41, R42, R43, R51	RES 10.0iΩ 1/10W 1% 0603 SMD	Panasonic: ECG or Alternate	ERJ-3EKF1002V
9	17	—	R1, R2, R4, R13, R23, R28, R29, R32, R34, R39, R47, R48, R49, R50, R52, R53, R54		Not Installed	Not Installed
10	1	750pF	C18, C55	CAP CER 820pF 50V C0G 5% 0603	TDK Corporation	C1608C0G1H821J
11	4	1000pF	C3, C5, C28, C38	CAP CER 1000pF 50V C0G 5% 0603	TDK Corporation or Alternate	C1608C0G1H102J
12	2	0.01μF	C16, C26	CAP CER 0.01μF 25V C0G 5% 0603	TDK Corporation or Alternate	C1608C0G1E103J
13	19	0.1μF	C11, C15, C20, C21, C22, C23, C33, C35, C36, C37, C40, C41, C42, C45, C47, C48, C51, C66, C67	CAP CER 0.10μF 25V X7R 10% 0603	TDK Corporation or Alternate	C1608X7R1E104K
14	8	1μF	C1, C25, C30, C31, C46, C50, C63, C72	CAP CER 1.0μF 10V X5R 10% 0603	TDK Corporation or Alternate	C1608X5R1A105KT
15	8	4.7μF	C39, C43, C44, C56, C57, C58, C60, C62	CAP CER 4.7μF 6.3V X5R 20% 0603	TDK Corporation or Alternate	C1608X5R0J475M
16	5	10μF	C9, C24, C49, C53, C61	CAP CER 10μF 6.3V X5R 0603 ±20%	Murata Electronics North America	GRM188R60J106ME47D
17	7	10μF	C4, C6, C12, C13, C17, C27, C32	CAP CER 10μF 16V X5R 20% 1206	TDK Corporation or Alternate	C3216X5R1C106M
18	7	47μF	C2, C19, C29, C52, C54, C59, C71, C73	CAP CER 47μF 6.3V X5R 0805	Taiyo Yuden or Alternate	JMK212BJ476MG-T
19	11	—	C7, C8, C10, C14, C34, C64, C65, C68, C69, C70		Not Installed	Not Installed
20	3		D1, D2, D3	LED 565NM GRN DIFF 0603 SMD	Lumex	SML-LX0603GW-TR
21	4		L1, L2, L3, L4	FERRITE CHIP 600 OHM 500MA 0805	TDK Corporation	MMZ2012R601A

Table 6. ADS1672EVM Bill of Materials (continued)

Item No.	Qty	Value	Reference Designators	Description	Vendor	Part Number
22	1		U1	REF5030 Low-noise, low-drift precision reference	Texas Instruments	REF5030AID
23	1		U2	Rail-to-rail output, wideband, fully differential amplifier	Texas Instruments	THS4520RGTT
24	1		U3	REF5025 low-noise, low-drift precision reference	Texas Instruments	REF5025IDG4
25	1		U4	1.1nV/ $\sqrt{\text{Hz}}$ Noise, low-power, precision operational amplifier	Texas Instruments	OPA211AIDR
26	1		U5	16-BIT I ² C I/O expander	Texas Instruments	PCA9535PWR
27	1		U6	ADS1672 24-bit 625kSPS	Texas Instruments	
28	1		U7	IC SRL EE 256K 2.5V 8MSOP	Microchip Technology	24LC256T-I/
29	1		P1	0.025 SMT SOCKET: BOTTOM SIDE OF PWB	Samtec	SSW-110-22-S-D-VS
30	1		P2	0.025 SMT SOCKET: BOTTOM SIDE OF PWB	Samtec	SSW-110-22-S-D-VS
31	1			0.025 SMT PLUG: TOP SIDE of PWB	Samtec	TSM-110-01-T-DV-P
32	1		P3	0.025 SMT PLUG: TOP SIDE of PWB	Samtec	TSM-110-01-T-DV-P
33	3		J1 , J2, J3	CONN RECEPT STRAIGHT PCB .155NI	Emerson Network Power Connectivity Solutions	142-0701-206
34	1		J4	0.025 SMT SOCKET: BOTTOM SIDE OF PWB	Samtec	SSW-105-22-S-D-VS
35	1			0.025 SMT PLUG: TOP SIDE of PWB	Samtec	TSM-105-01-T-DV-P
36	1		W2	2mm low profile	Samtec	TMM-102-03-T-S
37	5		W1, W3, W4, W5, W6	2mm low profile	Samtec	TMM-103-03-T-S
38	4		TP2, TP3, TP5, TP7	TEST POINT PC MINI .040D RED	Keystone Electronics	5000K-ND
39	5		TP1, TP4, TP6, TP8, TP9	TEST POINT PC MINI .040D BLACK	Keystone Electronics	5001K-ND
40	6		E1, E2, E3, E4, E5, E6		Not Installed	Not Installed
41	2		SJP1, SJP2		Not Installed	Not Installed
42	1		SW1	DIP Switch 10-Position	CTS Corporation Resistor/Electrocomponents	CT21810LPST
43	1		X1	20MHz, Ceramic SMD 3-state Oscillator	Valpey Fisher	VF1SH-1-20.0MHz



Revision History		
REV	ECN Number	Approved

Note When using U5, make sure SW1 switches are in OFF position**

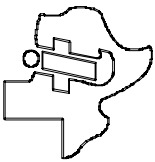


12500 TI Boulevard, Dallas, Texas 75243

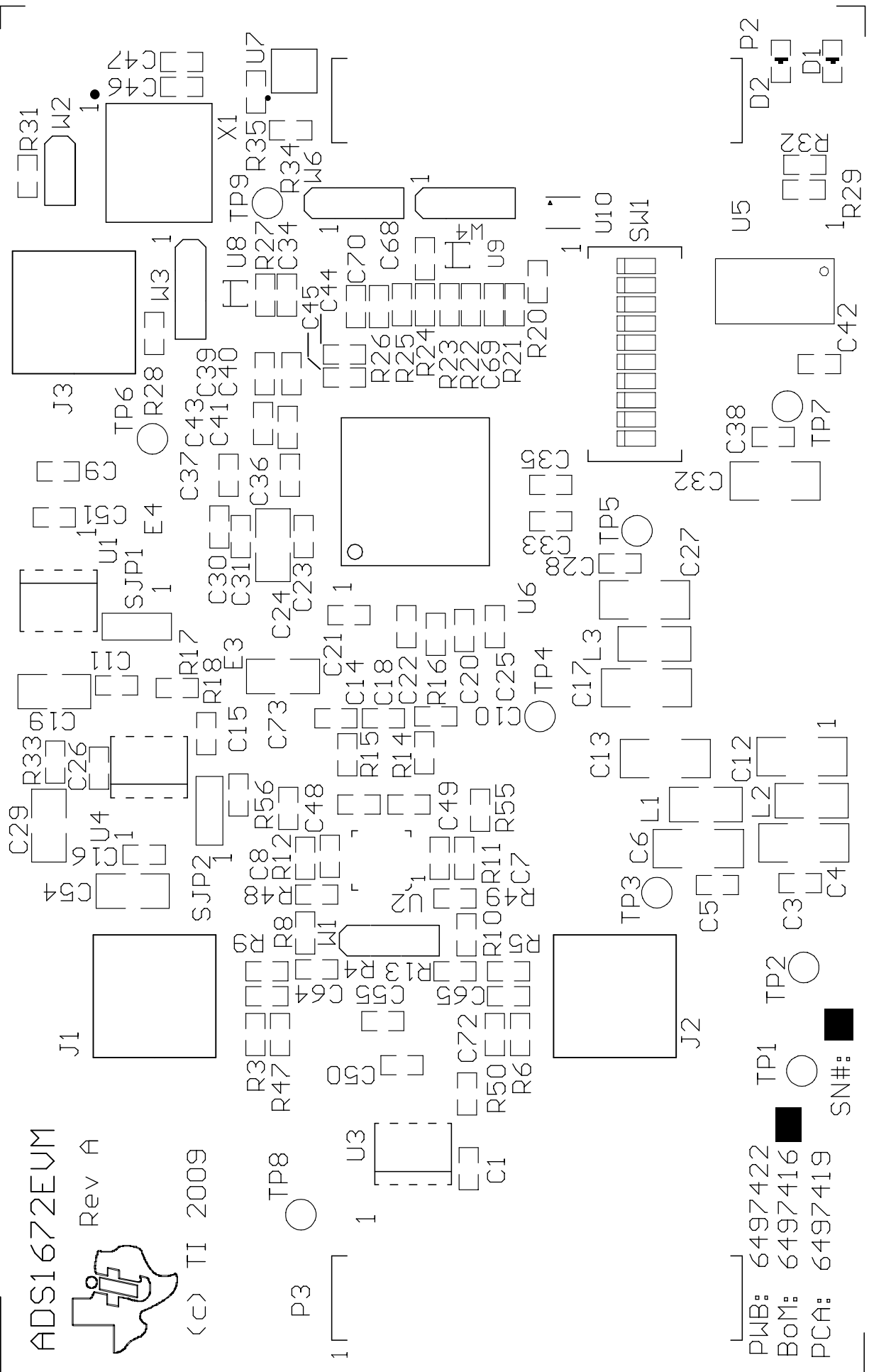
Title: ADS1672EVM		REV: A
Engineer: Lijoy Philipose	DOCUMENT CONTROL # 6497424	
Drawn By: Lijoy Philipose	DATE: 16-Mar-2009	SIZE: SHEET:1 OF: 1
FILE: PDFCircuits.sch		

ADS1672EVM

Rev A



(c) TI 2009

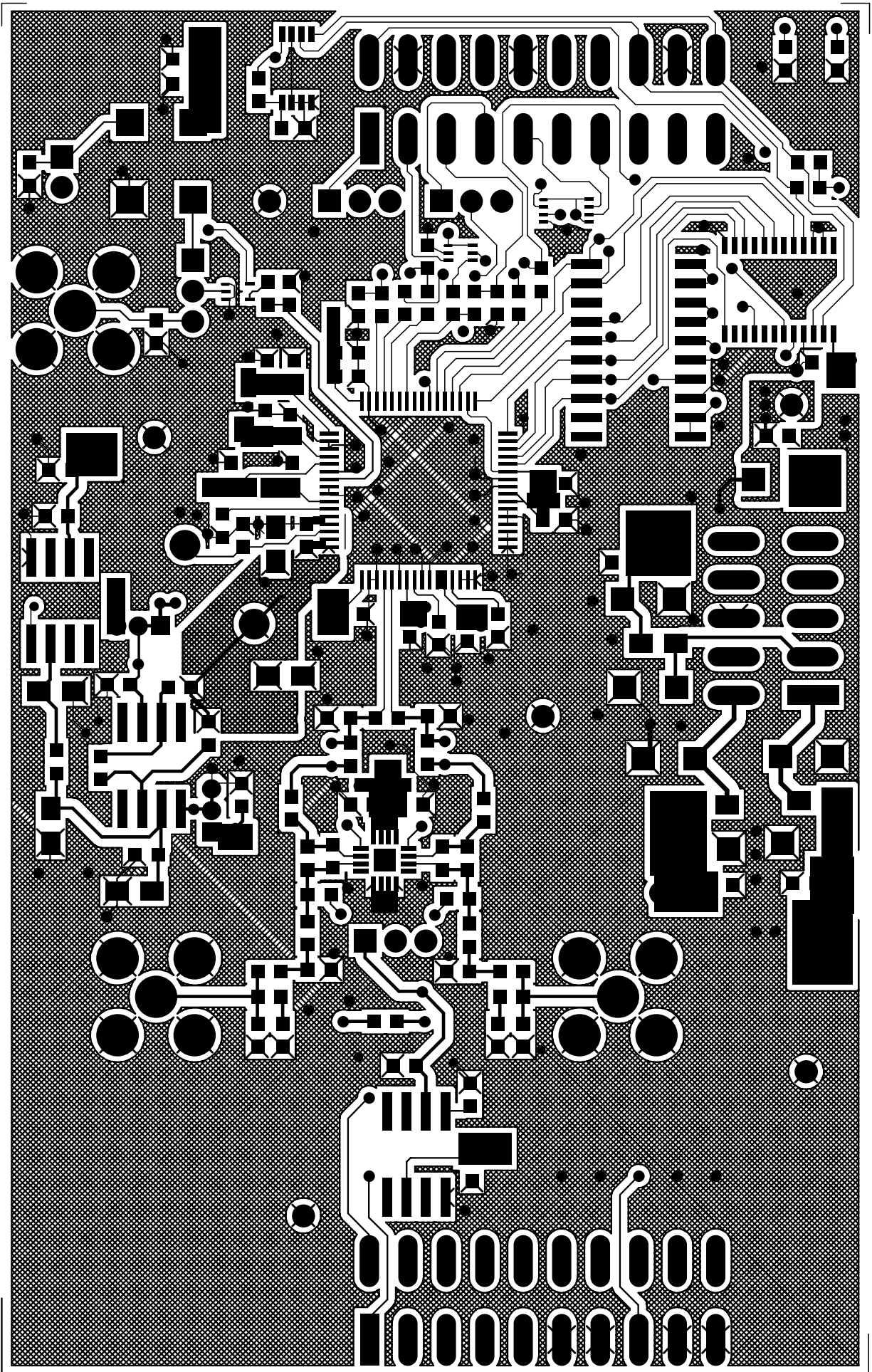


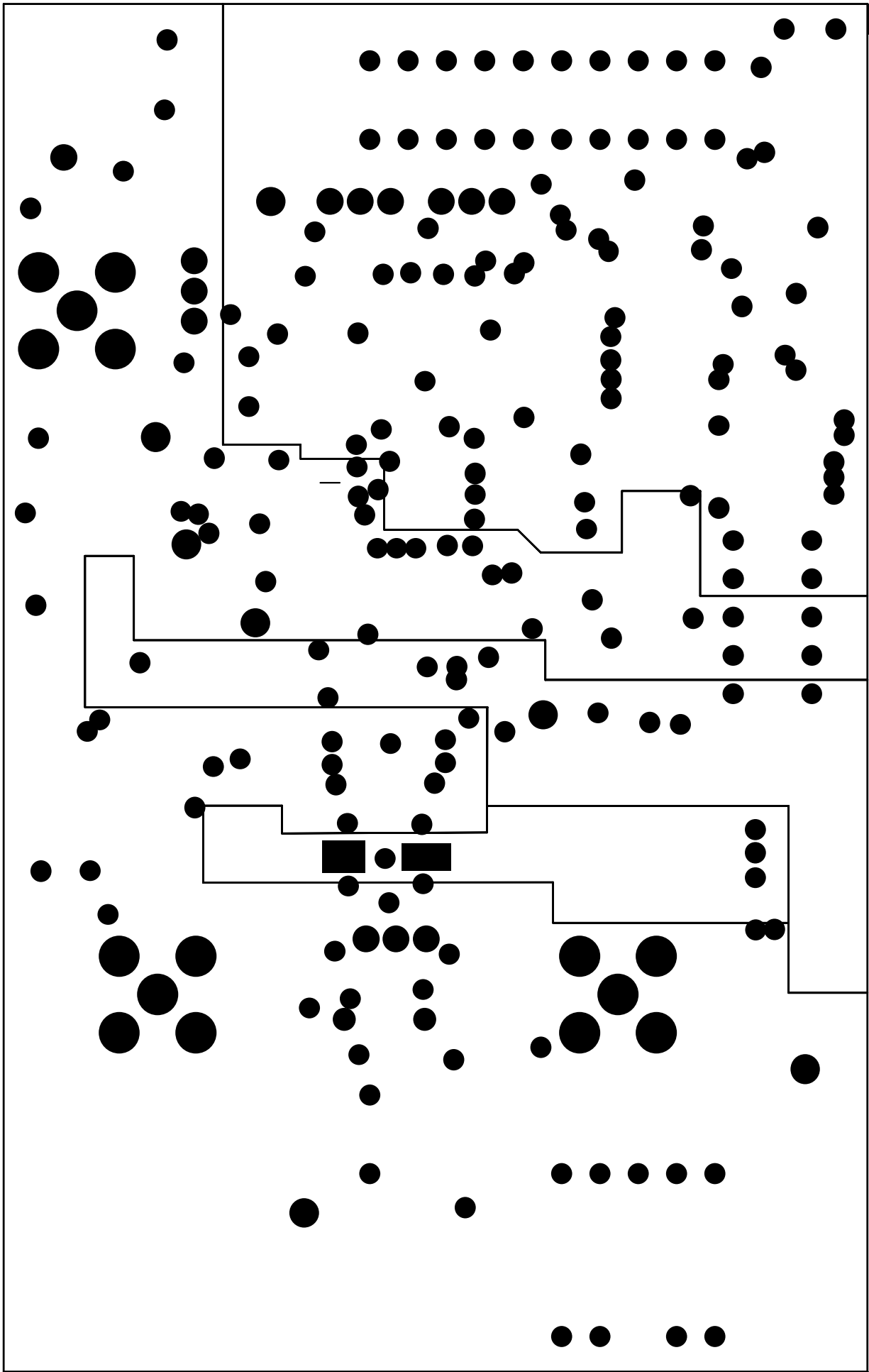
PWB: 6497422
 BOM: 6497416
 PCA: 6497419

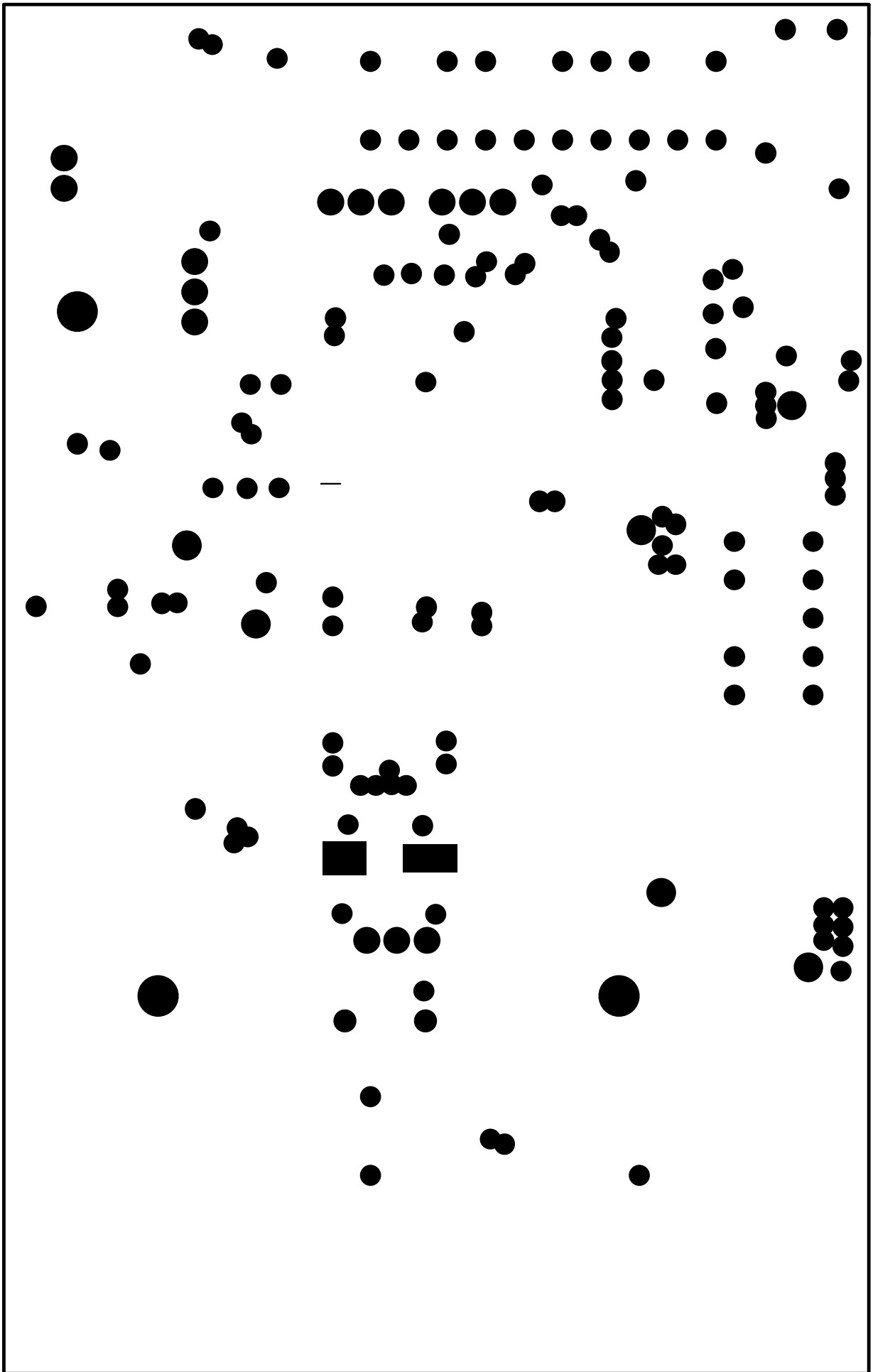
TP1
 TP2
 TP3
 TP4
 TP5
 TP6
 TP7
 TP8
 TP9

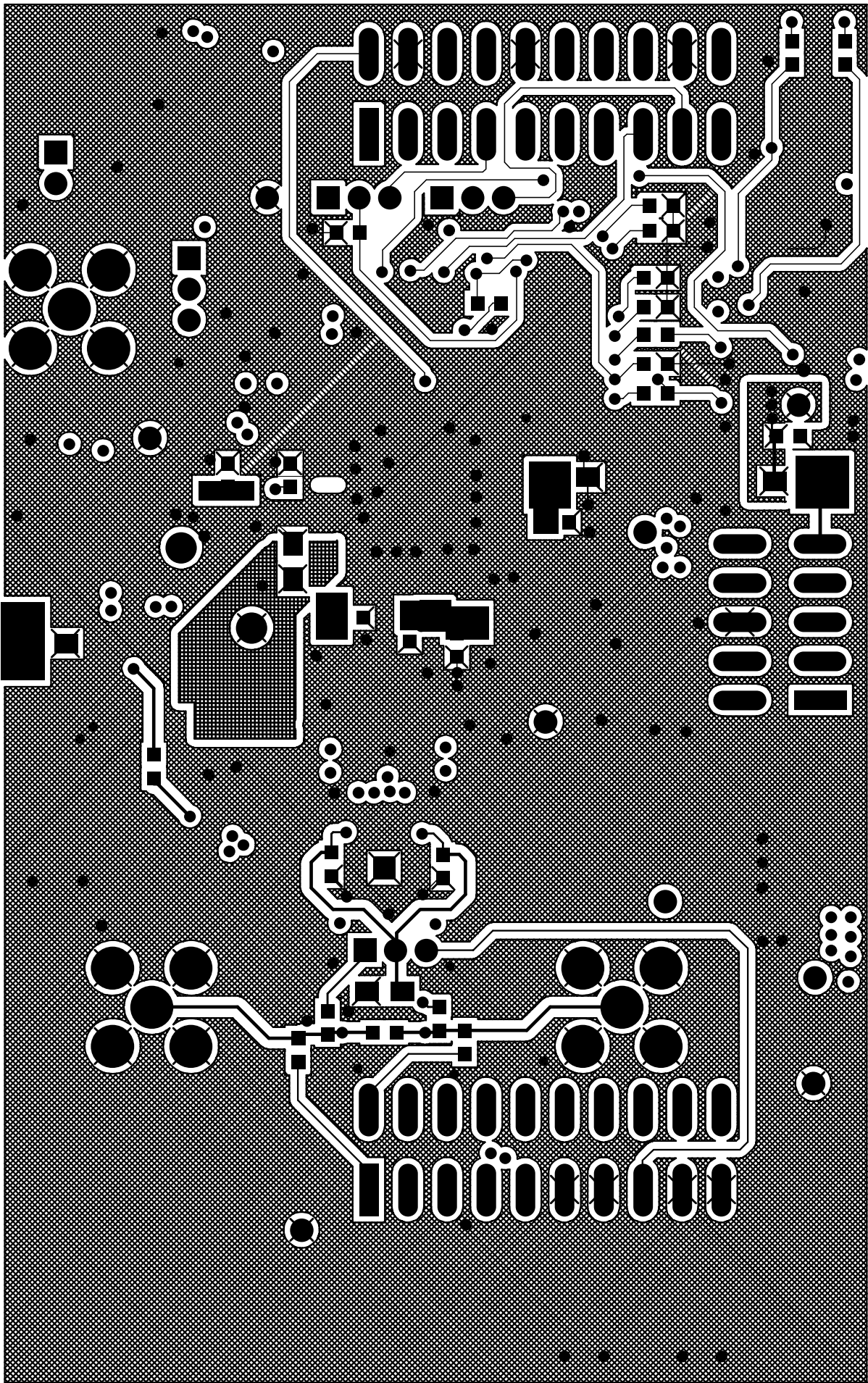
SN#:

--	--	--	--









□ □ B44
□ □ B4e

□ □ B4S
□ □ B43

□ □ □ □ □ □
□ □ □ □ □ □

148
B38
B37
B40
B3e

□ □ B21

□ □ □ □
□ □ C28
C28

Ce1
□ □ □ □
□ □ □ □
4

4

□ □ B30

Ce0 □ □ □ □ C25
Ce5 □ □ □

□ □ C25
□ □ C2e

C23 □ □

□ □ Ce1

□ □ Ce2

B2
B24 □ □
□ □ □ □
□ □ B2
□ □ B23
□ □ B1
B1

□ □ Ce3

□ □ C1

Revision History

Changes from Original (March 2009) to A Revision	Page
• Removed adapter from image on the first page.....	1
• Changed adapter requirements in the <i>ADS1672EVM-PDK Power Supply</i> section.	11
• Changed 4th step of the ordered list in the <i>ADS1672EVM-PDK Kit Operation</i> section. AC adapter now <i>not included</i>	12
• Changed current rating in the 1st paragraph of the <i>Connecting an AC Adapter</i> section from 2 A, to 500 mA.....	15

NOTE: Page numbers for previous revisions may differ from page numbers in the current version.

STANDARD TERMS AND CONDITIONS FOR EVALUATION MODULES

1. *Delivery:* TI delivers TI evaluation boards, kits, or modules, including any accompanying demonstration software, components, or documentation (collectively, an "EVM" or "EVMs") to the User ("User") in accordance with the terms and conditions set forth herein. Acceptance of the EVM is expressly subject to the following terms and conditions.
 - 1.1 EVMs are intended solely for product or software developers for use in a research and development setting to facilitate feasibility evaluation, experimentation, or scientific analysis of TI semiconductors products. EVMs have no direct function and are not finished products. EVMs shall not be directly or indirectly assembled as a part or subassembly in any finished product. For clarification, any software or software tools provided with the EVM ("Software") shall not be subject to the terms and conditions set forth herein but rather shall be subject to the applicable terms and conditions that accompany such Software
 - 1.2 EVMs are not intended for consumer or household use. EVMs may not be sold, sublicensed, leased, rented, loaned, assigned, or otherwise distributed for commercial purposes by Users, in whole or in part, or used in any finished product or production system.
2. *Limited Warranty and Related Remedies/Disclaimers:*
 - 2.1 These terms and conditions do not apply to Software. The warranty, if any, for Software is covered in the applicable Software License Agreement.
 - 2.2 TI warrants that the TI EVM will conform to TI's published specifications for ninety (90) days after the date TI delivers such EVM to User. Notwithstanding the foregoing, TI shall not be liable for any defects that are caused by neglect, misuse or mistreatment by an entity other than TI, including improper installation or testing, or for any EVMs that have been altered or modified in any way by an entity other than TI. Moreover, TI shall not be liable for any defects that result from User's design, specifications or instructions for such EVMs. Testing and other quality control techniques are used to the extent TI deems necessary or as mandated by government requirements. TI does not test all parameters of each EVM.
 - 2.3 If any EVM fails to conform to the warranty set forth above, TI's sole liability shall be at its option to repair or replace such EVM, or credit User's account for such EVM. TI's liability under this warranty shall be limited to EVMs that are returned during the warranty period to the address designated by TI and that are determined by TI not to conform to such warranty. If TI elects to repair or replace such EVM, TI shall have a reasonable time to repair such EVM or provide replacements. Repaired EVMs shall be warranted for the remainder of the original warranty period. Replaced EVMs shall be warranted for a new full ninety (90) day warranty period.
3. *Regulatory Notices:*
 - 3.1 *United States*
 - 3.1.1 *Notice applicable to EVMs not FCC-Approved:*

This kit is designed to allow product developers to evaluate electronic components, circuitry, or software associated with the kit to determine whether to incorporate such items in a finished product and software developers to write software applications for use with the end product. This kit is not a finished product and when assembled may not be resold or otherwise marketed unless all required FCC equipment authorizations are first obtained. Operation is subject to the condition that this product not cause harmful interference to licensed radio stations and that this product accept harmful interference. Unless the assembled kit is designed to operate under part 15, part 18 or part 95 of this chapter, the operator of the kit must operate under the authority of an FCC license holder or must secure an experimental authorization under part 5 of this chapter.
 - 3.1.2 *For EVMs annotated as FCC – FEDERAL COMMUNICATIONS COMMISSION Part 15 Compliant:*

CAUTION

This device complies with part 15 of the FCC Rules. Operation is subject to the following two conditions: (1) This device may not cause harmful interference, and (2) this device must accept any interference received, including interference that may cause undesired operation.

Changes or modifications not expressly approved by the party responsible for compliance could void the user's authority to operate the equipment.

FCC Interference Statement for Class A EVM devices

NOTE: This equipment has been tested and found to comply with the limits for a Class A digital device, pursuant to part 15 of the FCC Rules. These limits are designed to provide reasonable protection against harmful interference when the equipment is operated in a commercial environment. This equipment generates, uses, and can radiate radio frequency energy and, if not installed and used in accordance with the instruction manual, may cause harmful interference to radio communications. Operation of this equipment in a residential area is likely to cause harmful interference in which case the user will be required to correct the interference at his own expense.

FCC Interference Statement for Class B EVM devices

NOTE: This equipment has been tested and found to comply with the limits for a Class B digital device, pursuant to part 15 of the FCC Rules. These limits are designed to provide reasonable protection against harmful interference in a residential installation. This equipment generates, uses and can radiate radio frequency energy and, if not installed and used in accordance with the instructions, may cause harmful interference to radio communications. However, there is no guarantee that interference will not occur in a particular installation. If this equipment does cause harmful interference to radio or television reception, which can be determined by turning the equipment off and on, the user is encouraged to try to correct the interference by one or more of the following measures:

- Reorient or relocate the receiving antenna.
- Increase the separation between the equipment and receiver.
- Connect the equipment into an outlet on a circuit different from that to which the receiver is connected.
- Consult the dealer or an experienced radio/TV technician for help.

3.2 Canada

3.2.1 For EVMs issued with an Industry Canada Certificate of Conformance to RSS-210

Concerning EVMs Including Radio Transmitters:

This device complies with Industry Canada license-exempt RSS standard(s). Operation is subject to the following two conditions: (1) this device may not cause interference, and (2) this device must accept any interference, including interference that may cause undesired operation of the device.

Concernant les EVMs avec appareils radio:

Le présent appareil est conforme aux CNR d'Industrie Canada applicables aux appareils radio exempts de licence. L'exploitation est autorisée aux deux conditions suivantes: (1) l'appareil ne doit pas produire de brouillage, et (2) l'utilisateur de l'appareil doit accepter tout brouillage radioélectrique subi, même si le brouillage est susceptible d'en compromettre le fonctionnement.

Concerning EVMs Including Detachable Antennas:

Under Industry Canada regulations, this radio transmitter may only operate using an antenna of a type and maximum (or lesser) gain approved for the transmitter by Industry Canada. To reduce potential radio interference to other users, the antenna type and its gain should be so chosen that the equivalent isotropically radiated power (e.i.r.p.) is not more than that necessary for successful communication. This radio transmitter has been approved by Industry Canada to operate with the antenna types listed in the user guide with the maximum permissible gain and required antenna impedance for each antenna type indicated. Antenna types not included in this list, having a gain greater than the maximum gain indicated for that type, are strictly prohibited for use with this device.

Concernant les EVMs avec antennes détachables

Conformément à la réglementation d'Industrie Canada, le présent émetteur radio peut fonctionner avec une antenne d'un type et d'un gain maximal (ou inférieur) approuvé pour l'émetteur par Industrie Canada. Dans le but de réduire les risques de brouillage radioélectrique à l'intention des autres utilisateurs, il faut choisir le type d'antenne et son gain de sorte que la puissance isotrope rayonnée équivalente (p.i.r.e.) ne dépasse pas l'intensité nécessaire à l'établissement d'une communication satisfaisante. Le présent émetteur radio a été approuvé par Industrie Canada pour fonctionner avec les types d'antenne énumérés dans le manuel d'usage et ayant un gain admissible maximal et l'impédance requise pour chaque type d'antenne. Les types d'antenne non inclus dans cette liste, ou dont le gain est supérieur au gain maximal indiqué, sont strictement interdits pour l'exploitation de l'émetteur.

3.3 Japan

3.3.1 *Notice for EVMs delivered in Japan:* Please see http://www.tij.co.jp/lstds/ti_ja/general/eStore/notice_01.page 日本国内に輸入される評価用キット、ボードについては、次のところをご覧ください。
http://www.tij.co.jp/lstds/ti_ja/general/eStore/notice_01.page

3.3.2 *Notice for Users of EVMs Considered "Radio Frequency Products" in Japan:* EVMs entering Japan may not be certified by TI as conforming to Technical Regulations of Radio Law of Japan.

If User uses EVMs in Japan, not certified to Technical Regulations of Radio Law of Japan, User is required by Radio Law of Japan to follow the instructions below with respect to EVMs:

1. Use EVMs in a shielded room or any other test facility as defined in the notification #173 issued by Ministry of Internal Affairs and Communications on March 28, 2006, based on Sub-section 1.1 of Article 6 of the Ministry's Rule for Enforcement of Radio Law of Japan,
2. Use EVMs only after User obtains the license of Test Radio Station as provided in Radio Law of Japan with respect to EVMs, or
3. Use of EVMs only after User obtains the Technical Regulations Conformity Certification as provided in Radio Law of Japan with respect to EVMs. Also, do not transfer EVMs, unless User gives the same notice above to the transferee. Please note that if User does not follow the instructions above, User will be subject to penalties of Radio Law of Japan.

【無線電波を送信する製品の開発キットをお使いになる際の注意事項】 開発キットの中には技術基準適合証明を受けていないものがあります。技術適合証明を受けていないものご使用に際しては、電波法遵守のため、以下のいずれかの措置を取っていただく必要がありますのでご注意ください。

1. 電波法施行規則第6条第1項第1号に基づく平成18年3月28日総務省告示第173号で定められた電波暗室等の試験設備でご使用いただく。
2. 実験局の免許を取得後ご使用いただく。
3. 技術基準適合証明を取得後ご使用いただく。

なお、本製品は、上記の「ご使用にあたっての注意」を譲渡先、移転先に通知しない限り、譲渡、移転できないものとします。

上記を遵守頂けない場合は、電波法の罰則が適用される可能性があることをご留意ください。日本テキサス・インスツルメンツ株式会社

東京都新宿区西新宿 6 丁目 2 4 番 1 号

西新宿三井ビル

3.3.3 *Notice for EVMs for Power Line Communication:* Please see http://www.tij.co.jp/llds/ti_ja/general/eStore/notice_02.page

電力線搬送波通信についての開発キットをお使いになる際の注意事項については、次のところをご覧ください。http://www.tij.co.jp/llds/ti_ja/general/eStore/notice_02.page

4 *EVM Use Restrictions and Warnings:*

4.1 EVMS ARE NOT FOR USE IN FUNCTIONAL SAFETY AND/OR SAFETY CRITICAL EVALUATIONS, INCLUDING BUT NOT LIMITED TO EVALUATIONS OF LIFE SUPPORT APPLICATIONS.

4.2 User must read and apply the user guide and other available documentation provided by TI regarding the EVM prior to handling or using the EVM, including without limitation any warning or restriction notices. The notices contain important safety information related to, for example, temperatures and voltages.

4.3 *Safety-Related Warnings and Restrictions:*

4.3.1 User shall operate the EVM within TI's recommended specifications and environmental considerations stated in the user guide, other available documentation provided by TI, and any other applicable requirements and employ reasonable and customary safeguards. Exceeding the specified performance ratings and specifications (including but not limited to input and output voltage, current, power, and environmental ranges) for the EVM may cause personal injury or death, or property damage. If there are questions concerning performance ratings and specifications, User should contact a TI field representative prior to connecting interface electronics including input power and intended loads. Any loads applied outside of the specified output range may also result in unintended and/or inaccurate operation and/or possible permanent damage to the EVM and/or interface electronics. Please consult the EVM user guide prior to connecting any load to the EVM output. If there is uncertainty as to the load specification, please contact a TI field representative. During normal operation, even with the inputs and outputs kept within the specified allowable ranges, some circuit components may have elevated case temperatures. These components include but are not limited to linear regulators, switching transistors, pass transistors, current sense resistors, and heat sinks, which can be identified using the information in the associated documentation. When working with the EVM, please be aware that the EVM may become very warm.

4.3.2 EVMs are intended solely for use by technically qualified, professional electronics experts who are familiar with the dangers and application risks associated with handling electrical mechanical components, systems, and subsystems. User assumes all responsibility and liability for proper and safe handling and use of the EVM by User or its employees, affiliates, contractors or designees. User assumes all responsibility and liability to ensure that any interfaces (electronic and/or mechanical) between the EVM and any human body are designed with suitable isolation and means to safely limit accessible leakage currents to minimize the risk of electrical shock hazard. User assumes all responsibility and liability for any improper or unsafe handling or use of the EVM by User or its employees, affiliates, contractors or designees.

4.4 User assumes all responsibility and liability to determine whether the EVM is subject to any applicable international, federal, state, or local laws and regulations related to User's handling and use of the EVM and, if applicable, User assumes all responsibility and liability for compliance in all respects with such laws and regulations. User assumes all responsibility and liability for proper disposal and recycling of the EVM consistent with all applicable international, federal, state, and local requirements.

5. *Accuracy of Information:* To the extent TI provides information on the availability and function of EVMs, TI attempts to be as accurate as possible. However, TI does not warrant the accuracy of EVM descriptions, EVM availability or other information on its websites as accurate, complete, reliable, current, or error-free.

6. *Disclaimers:*
- 6.1 EXCEPT AS SET FORTH ABOVE, EVMS AND ANY WRITTEN DESIGN MATERIALS PROVIDED WITH THE EVM (AND THE DESIGN OF THE EVM ITSELF) ARE PROVIDED "AS IS" AND "WITH ALL FAULTS." TI DISCLAIMS ALL OTHER WARRANTIES, EXPRESS OR IMPLIED, REGARDING SUCH ITEMS, INCLUDING BUT NOT LIMITED TO ANY IMPLIED WARRANTIES OF MERCHANTABILITY OR FITNESS FOR A PARTICULAR PURPOSE OR NON-INFRINGEMENT OF ANY THIRD PARTY PATENTS, COPYRIGHTS, TRADE SECRETS OR OTHER INTELLECTUAL PROPERTY RIGHTS.
- 6.2 EXCEPT FOR THE LIMITED RIGHT TO USE THE EVM SET FORTH HEREIN, NOTHING IN THESE TERMS AND CONDITIONS SHALL BE CONSTRUED AS GRANTING OR CONFERRING ANY RIGHTS BY LICENSE, PATENT, OR ANY OTHER INDUSTRIAL OR INTELLECTUAL PROPERTY RIGHT OF TI, ITS SUPPLIERS/LICENSORS OR ANY OTHER THIRD PARTY, TO USE THE EVM IN ANY FINISHED END-USER OR READY-TO-USE FINAL PRODUCT, OR FOR ANY INVENTION, DISCOVERY OR IMPROVEMENT MADE, CONCEIVED OR ACQUIRED PRIOR TO OR AFTER DELIVERY OF THE EVM.
7. *USER'S INDEMNITY OBLIGATIONS AND REPRESENTATIONS.* USER WILL DEFEND, INDEMNIFY AND HOLD TI, ITS LICENSORS AND THEIR REPRESENTATIVES HARMLESS FROM AND AGAINST ANY AND ALL CLAIMS, DAMAGES, LOSSES, EXPENSES, COSTS AND LIABILITIES (COLLECTIVELY, "CLAIMS") ARISING OUT OF OR IN CONNECTION WITH ANY HANDLING OR USE OF THE EVM THAT IS NOT IN ACCORDANCE WITH THESE TERMS AND CONDITIONS. THIS OBLIGATION SHALL APPLY WHETHER CLAIMS ARISE UNDER STATUTE, REGULATION, OR THE LAW OF TORT, CONTRACT OR ANY OTHER LEGAL THEORY, AND EVEN IF THE EVM FAILS TO PERFORM AS DESCRIBED OR EXPECTED.
8. *Limitations on Damages and Liability:*
- 8.1 *General Limitations.* IN NO EVENT SHALL TI BE LIABLE FOR ANY SPECIAL, COLLATERAL, INDIRECT, PUNITIVE, INCIDENTAL, CONSEQUENTIAL, OR EXEMPLARY DAMAGES IN CONNECTION WITH OR ARISING OUT OF THESE TERMS AND CONDITIONS OR THE USE OF THE EVMS PROVIDED HEREUNDER, REGARDLESS OF WHETHER TI HAS BEEN ADVISED OF THE POSSIBILITY OF SUCH DAMAGES. EXCLUDED DAMAGES INCLUDE, BUT ARE NOT LIMITED TO, COST OF REMOVAL OR REINSTALLATION, ANCILLARY COSTS TO THE PROCUREMENT OF SUBSTITUTE GOODS OR SERVICES, RETESTING, OUTSIDE COMPUTER TIME, LABOR COSTS, LOSS OF GOODWILL, LOSS OF PROFITS, LOSS OF SAVINGS, LOSS OF USE, LOSS OF DATA, OR BUSINESS INTERRUPTION. NO CLAIM, SUIT OR ACTION SHALL BE BROUGHT AGAINST TI MORE THAN ONE YEAR AFTER THE RELATED CAUSE OF ACTION HAS OCCURRED.
- 8.2 *Specific Limitations.* IN NO EVENT SHALL TI'S AGGREGATE LIABILITY FROM ANY WARRANTY OR OTHER OBLIGATION ARISING OUT OF OR IN CONNECTION WITH THESE TERMS AND CONDITIONS, OR ANY USE OF ANY TI EVM PROVIDED HEREUNDER, EXCEED THE TOTAL AMOUNT PAID TO TI FOR THE PARTICULAR UNITS SOLD UNDER THESE TERMS AND CONDITIONS WITH RESPECT TO WHICH LOSSES OR DAMAGES ARE CLAIMED. THE EXISTENCE OF MORE THAN ONE CLAIM AGAINST THE PARTICULAR UNITS SOLD TO USER UNDER THESE TERMS AND CONDITIONS SHALL NOT ENLARGE OR EXTEND THIS LIMIT.
9. *Return Policy.* Except as otherwise provided, TI does not offer any refunds, returns, or exchanges. Furthermore, no return of EVM(s) will be accepted if the package has been opened and no return of the EVM(s) will be accepted if they are damaged or otherwise not in a resalable condition. If User feels it has been incorrectly charged for the EVM(s) it ordered or that delivery violates the applicable order, User should contact TI. All refunds will be made in full within thirty (30) working days from the return of the components(s), excluding any postage or packaging costs.
10. *Governing Law:* These terms and conditions shall be governed by and interpreted in accordance with the laws of the State of Texas, without reference to conflict-of-laws principles. User agrees that non-exclusive jurisdiction for any dispute arising out of or relating to these terms and conditions lies within courts located in the State of Texas and consents to venue in Dallas County, Texas. Notwithstanding the foregoing, any judgment may be enforced in any United States or foreign court, and TI may seek injunctive relief in any United States or foreign court.

Mailing Address: Texas Instruments, Post Office Box 655303, Dallas, Texas 75265
Copyright © 2015, Texas Instruments Incorporated

IMPORTANT NOTICE

Texas Instruments Incorporated and its subsidiaries (TI) reserve the right to make corrections, enhancements, improvements and other changes to its semiconductor products and services per JESD46, latest issue, and to discontinue any product or service per JESD48, latest issue. Buyers should obtain the latest relevant information before placing orders and should verify that such information is current and complete. All semiconductor products (also referred to herein as "components") are sold subject to TI's terms and conditions of sale supplied at the time of order acknowledgment.

TI warrants performance of its components to the specifications applicable at the time of sale, in accordance with the warranty in TI's terms and conditions of sale of semiconductor products. Testing and other quality control techniques are used to the extent TI deems necessary to support this warranty. Except where mandated by applicable law, testing of all parameters of each component is not necessarily performed.

TI assumes no liability for applications assistance or the design of Buyers' products. Buyers are responsible for their products and applications using TI components. To minimize the risks associated with Buyers' products and applications, Buyers should provide adequate design and operating safeguards.

TI does not warrant or represent that any license, either express or implied, is granted under any patent right, copyright, mask work right, or other intellectual property right relating to any combination, machine, or process in which TI components or services are used. Information published by TI regarding third-party products or services does not constitute a license to use such products or services or a warranty or endorsement thereof. Use of such information may require a license from a third party under the patents or other intellectual property of the third party, or a license from TI under the patents or other intellectual property of TI.

Reproduction of significant portions of TI information in TI data books or data sheets is permissible only if reproduction is without alteration and is accompanied by all associated warranties, conditions, limitations, and notices. TI is not responsible or liable for such altered documentation. Information of third parties may be subject to additional restrictions.

Resale of TI components or services with statements different from or beyond the parameters stated by TI for that component or service voids all express and any implied warranties for the associated TI component or service and is an unfair and deceptive business practice. TI is not responsible or liable for any such statements.

Buyer acknowledges and agrees that it is solely responsible for compliance with all legal, regulatory and safety-related requirements concerning its products, and any use of TI components in its applications, notwithstanding any applications-related information or support that may be provided by TI. Buyer represents and agrees that it has all the necessary expertise to create and implement safeguards which anticipate dangerous consequences of failures, monitor failures and their consequences, lessen the likelihood of failures that might cause harm and take appropriate remedial actions. Buyer will fully indemnify TI and its representatives against any damages arising out of the use of any TI components in safety-critical applications.

In some cases, TI components may be promoted specifically to facilitate safety-related applications. With such components, TI's goal is to help enable customers to design and create their own end-product solutions that meet applicable functional safety standards and requirements. Nonetheless, such components are subject to these terms.

No TI components are authorized for use in FDA Class III (or similar life-critical medical equipment) unless authorized officers of the parties have executed a special agreement specifically governing such use.

Only those TI components which TI has specifically designated as military grade or "enhanced plastic" are designed and intended for use in military/aerospace applications or environments. Buyer acknowledges and agrees that any military or aerospace use of TI components which have **not** been so designated is solely at the Buyer's risk, and that Buyer is solely responsible for compliance with all legal and regulatory requirements in connection with such use.

TI has specifically designated certain components as meeting ISO/TS16949 requirements, mainly for automotive use. In any case of use of non-designated products, TI will not be responsible for any failure to meet ISO/TS16949.

Products

Audio	www.ti.com/audio
Amplifiers	amplifier.ti.com
Data Converters	dataconverter.ti.com
DLP® Products	www.dlp.com
DSP	dsp.ti.com
Clocks and Timers	www.ti.com/clocks
Interface	interface.ti.com
Logic	logic.ti.com
Power Mgmt	power.ti.com
Microcontrollers	microcontroller.ti.com
RFID	www.ti-rfid.com
OMAP Applications Processors	www.ti.com/omap
Wireless Connectivity	www.ti.com/wirelessconnectivity

Applications

Automotive and Transportation	www.ti.com/automotive
Communications and Telecom	www.ti.com/communications
Computers and Peripherals	www.ti.com/computers
Consumer Electronics	www.ti.com/consumer-apps
Energy and Lighting	www.ti.com/energy
Industrial	www.ti.com/industrial
Medical	www.ti.com/medical
Security	www.ti.com/security
Space, Avionics and Defense	www.ti.com/space-avionics-defense
Video and Imaging	www.ti.com/video

TI E2E Community

e2e.ti.com