

TINA Simulation Schematic of a Two-Node, Power-Line Communication System

This user's guide describes the primary blocks and use of a simulation schematic of the analog signal chain in a two-node, power-line communication (PLC) system. With [TINA-TI](#), the schematic can be used to simulate the operating conditions of a PLC system based on the [AFE031](#); TI's integrated analog front-end device designed for PLC applications.

Contents

| | | |
|---|--------------------------|---|
| 1 | Block Description | 2 |
| 2 | Typical Simulation | 9 |

List of Figures

| | | |
|----|--|----|
| 1 | OFDM Signal Source and Signal Conditioning Block | 2 |
| 2 | Power Amplifier (PA) Stage | 3 |
| 3 | PA Output Disable Block..... | 4 |
| 4 | PA-Side Line-Coupling Circuit..... | 5 |
| 5 | Passive Band-Pass Filter on the Receiver Path | 6 |
| 6 | Programmable Gain Amplifier on the Receiver Path..... | 7 |
| 7 | Modem Line-Coupling Circuit..... | 8 |
| 8 | Transient Analysis Menu in TINA Version 9.3 | 9 |
| 9 | Dialog Box | 9 |
| 10 | Results From a Typical Simulation | 10 |

List of Tables

| | | |
|---|--------------------------|----|
| 1 | Signals in Modem 1 | 11 |
|---|--------------------------|----|

1 Block Description

The two-node TINA-TI simulation schematic consists of two modems, one line-coupling circuit per modem, and a transmission line connecting the two transceivers. Each modem has a transmitter path and a receiver path.

1.1 Transmitter Path

The transmitter path consists of an orthogonal frequency division multiplexing (OFDM) signal source, a signal-conditioning block to provide gain and offset to the OFDM signal, a power amplifier (PA) stage, a power amplifier output disable block, and a PA-side line-coupling circuit.

1.1.1 OFDM Signal Source and Signal-Conditioning Block

Figure 1 shows the OFDM signal source and signal-conditioning blocks.

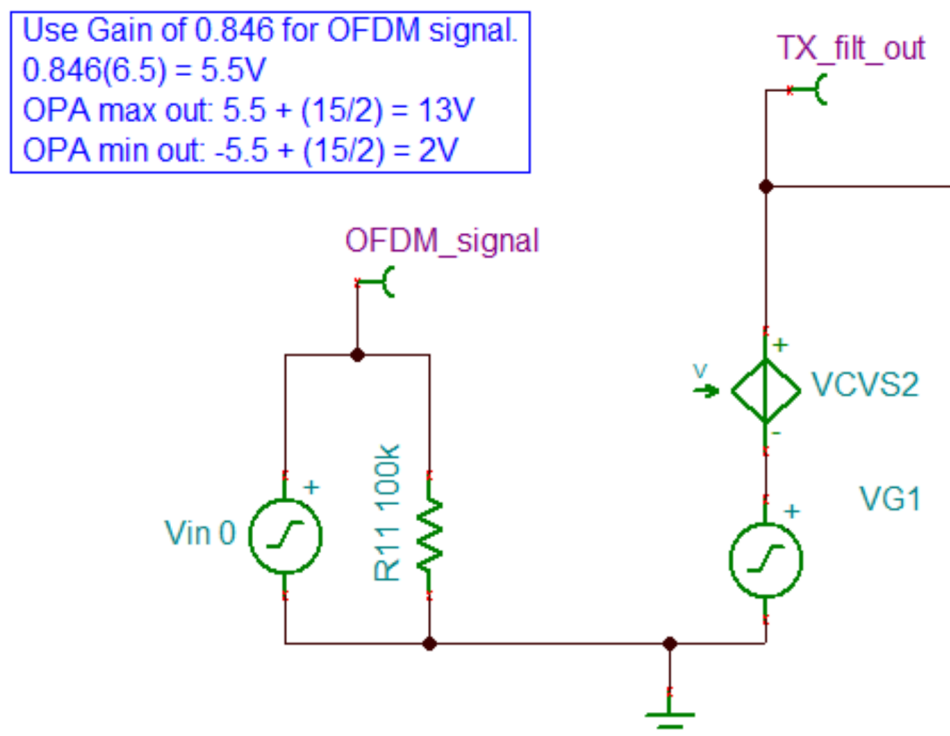


Figure 1. OFDM Signal Source and Signal Conditioning Block

The input to each modem consists of a unique OFDM signal generated by a piecewise linear voltage source (that is, the component labeled *Vin* in Figure 1). Each signal starts with a constant 0 volts period for 300- μ s followed by six consecutive OFDM symbols (1.28 ms per symbol) synthesized with 36 equidistant and equipotential tones modulated using DQPSK, starting at 35.9 kHz and ending at 90.6 kHz.

The signal-conditioning block consists of an offset term (the component labeled *VG1* in Figure 1) used to simulate the point in time when the AFE031 Tx_PGA and its voltage reference are enabled. In addition, a gain block (the component labeled *VCVS2* in Figure 1) allows to tailor the amplitude of the signal fed into the PA input; this component models the gain of the AFE031 Tx_PGA.

Each OFDM sequence is normalized to have a peak absolute value of 1 V. The fact that the OFDM signal has a maximum absolute value of 1 volt permits the user to easily scale the signal source to a desired absolute peak PA output. For example, applying a gain of 0.846 V/V to the OFDM signal source allows the alternating current (AC) portion of the PA input to be bounded between -0.846 V and $+0.846$ V; this signal is then amplified with a gain of -6.5 V/V by the power amplifier (see Section 1.1.2), thus yielding a PA output bounded between 2 V and 13 V. In a real system based on the AFE031, the PA output is ensured to have a voltage swing no smaller than [2 V, 13 V], provided the PA supply is 15 V and the PA output current does not exceed 1.5 A (for complete AFE031 specifications, refer to the [AFE031 datasheet](#) available for download at [www.ti.com](#)).

1.1.2 Power Amplifier Stage

Figure 2 shows the device component used to model the AFE031 power amplifier. An ideal operational amplifier (op amp) is used in the TINA schematic included for this two-node project. Using an ideal op amp significantly reduces the simulation time; however, the user can substitute this component with the OPA564 TINA model (available at <http://www.ti.com/litv/zip/sbom402a>) to obtain results that more closely resemble those for the AFE031.

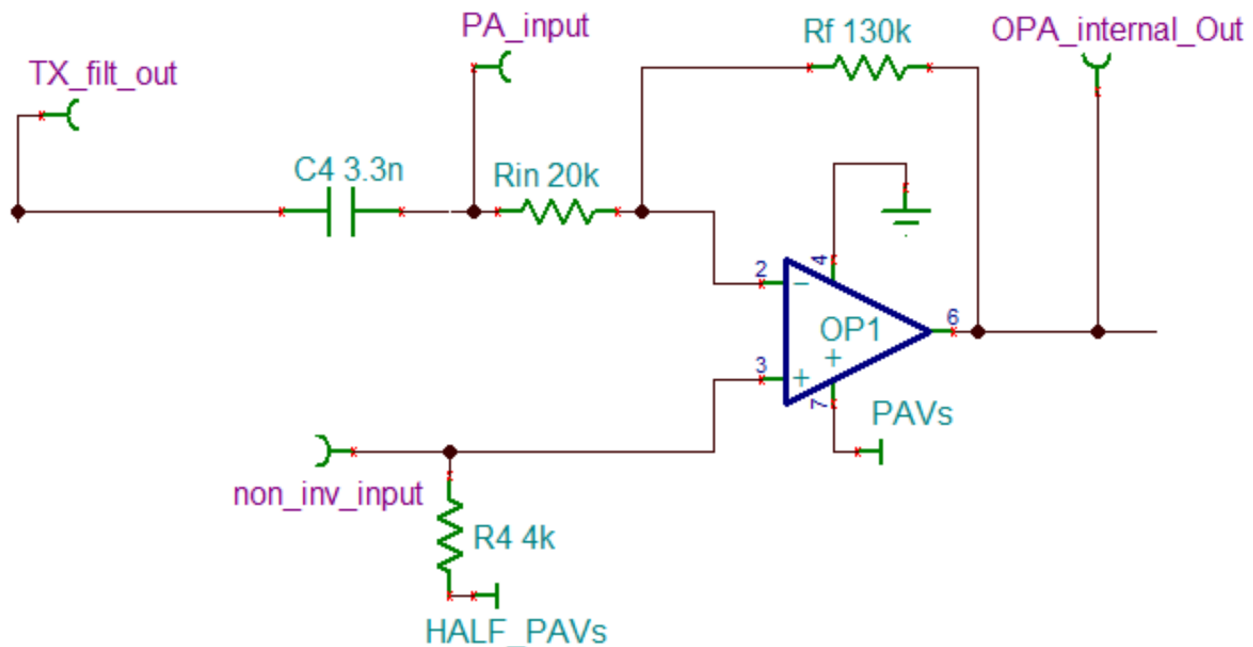


Figure 2. Power Amplifier (PA) Stage

The power amplifier input is capacitively coupled with C4 because the AFE031 Tx_PGA and Tx_Filter operate from a 3.3-V supply, whereas the PA operates from a 15-V supply. Both Rin and Rf set the inverting gain of the power amplifier to -6.5 V/V, the nominal gain of the AFE031 PA block.

1.1.3 Power Amplifier Output Disable Block

This block is used to simulate different methods of connecting the PA internal output to the corresponding pin in the AFE031. In its most basic form, the PA output disable block introduces a time-invariant resistor between the PA output and the network formed by R2 and R3. The most basic implementation is used in the right-hand side modem of the TINA schematic included for this two-node project.

A more sophisticated implementation of the PA output disable block (shown in Figure 3) provides a time-dependent resistance that can be used to model the fact that some time is required for the user to write register 01 of the AFE031 in order to enable the TX and PA block, and then write register 03 of the AFE031 in order to enable the voltage references and PA output stage. This implementation is used in the left-hand side modem of the TINA schematic included for this two-node project.

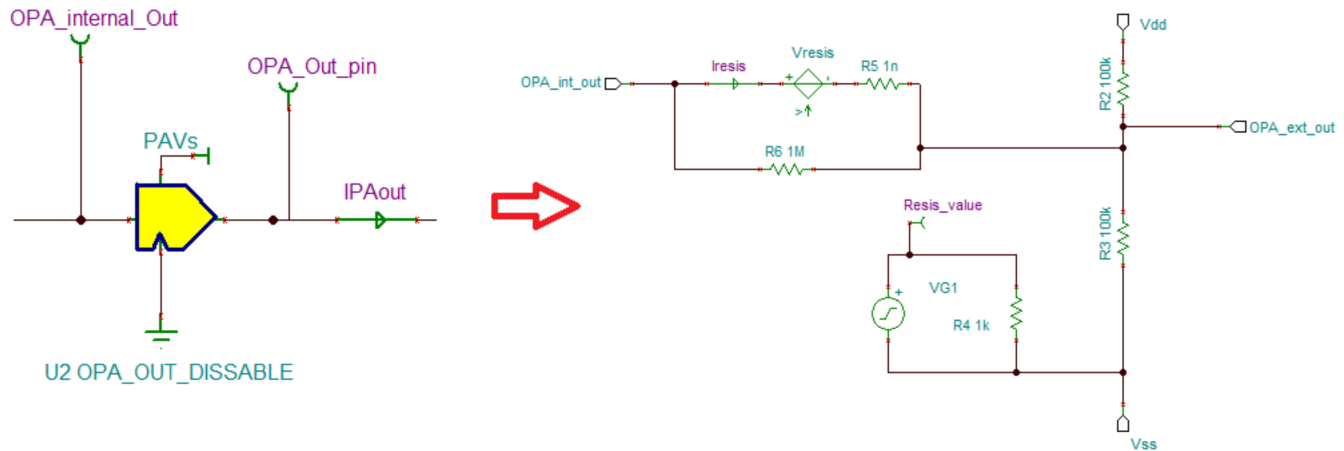


Figure 3. PA Output Disable Block

1.1.4 PA-Side Line-Coupling Circuit

Figure 4 shows the PA-side line-coupling circuit.

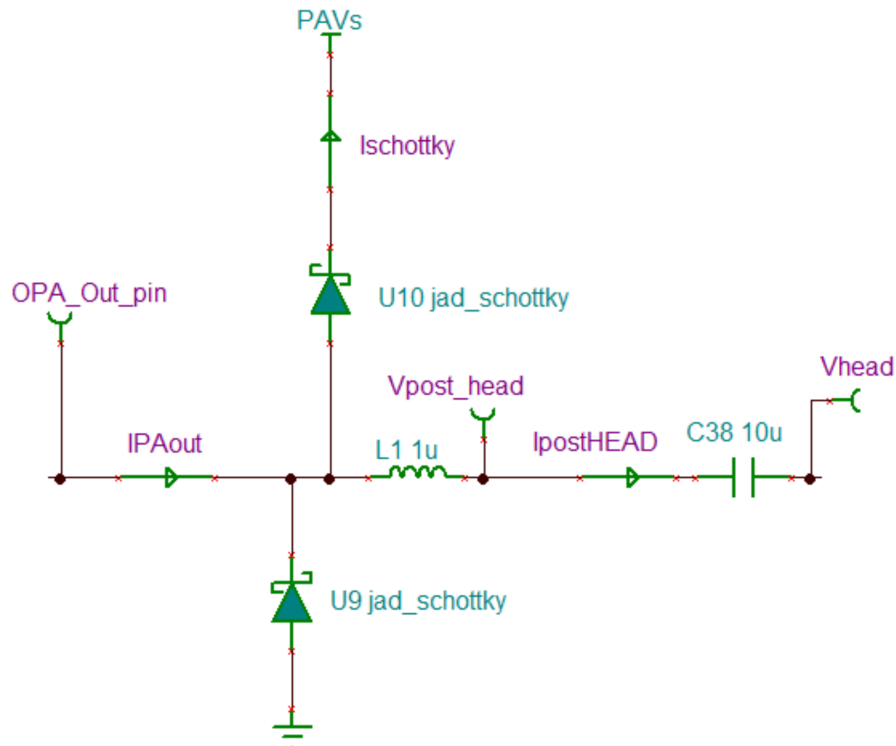


Figure 4. PA-Side Line-Coupling Circuit

This line-coupling circuit protects the output of the AFE031 PA from rising above PAVs or dropping below PA_GND when a voltage surge in the power line is injected into the modem. In particular, the schottky diodes U9 and U10 shunt current and prevent such rises or drops from occurring. Another element used to prevent damage to the AFE031 PA is L1. This inductor slows down abrupt currents injected into the modem caused by voltage surges in the power line.

When the transmitter reaches a steady state, C38 is charged to one-half the PA power-supply level, thus allowing the *Vhead* node to swing at approximately ground potential with a 0-VDC offset.

Note that L1 and C38 also provide a small level of band-pass filtering in the frequency range of interest.

1.2 Receiver Path

The receiver path consists of a passive band-pass filter and a programmable gain amplifier (PGA).

Figure 5 shows the receiver path's band-pass filter; although optional, this filter is recommended for applications where high performance is required.

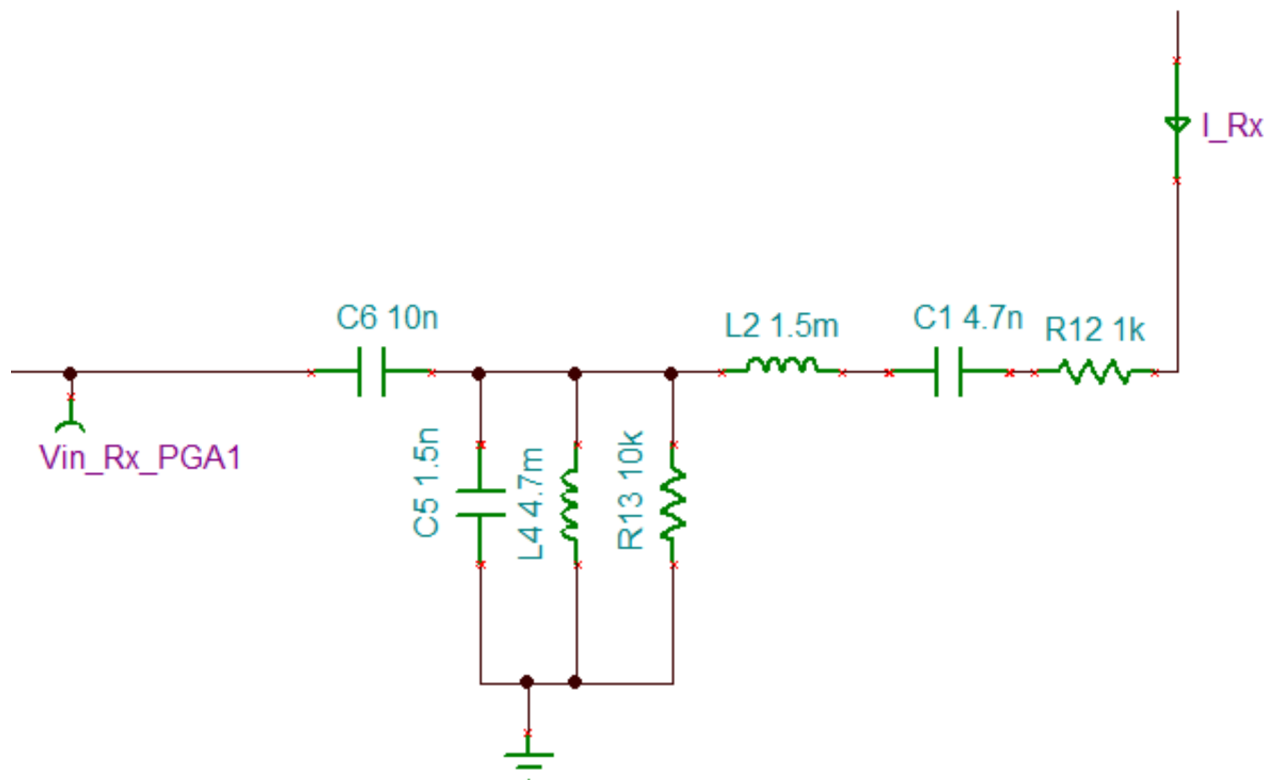


Figure 5. Passive Band-Pass Filter on the Receiver Path

Figure 6 shows the PGA for the receiver path. The specific resistor values used in the AFE031 Rx_PGA are provided in the table included in Figure 6. Note that for this table, R16 = Rin and R17 = Rf .

| G(V/V) | Rin(kohm) | Rf(kohm) |
|--------|-----------|----------|
| 0.25 | 24 | 6 |
| 0.5 | 20 | 10 |
| 1 | 15 | 15 |
| 2 | 10 | 20 |

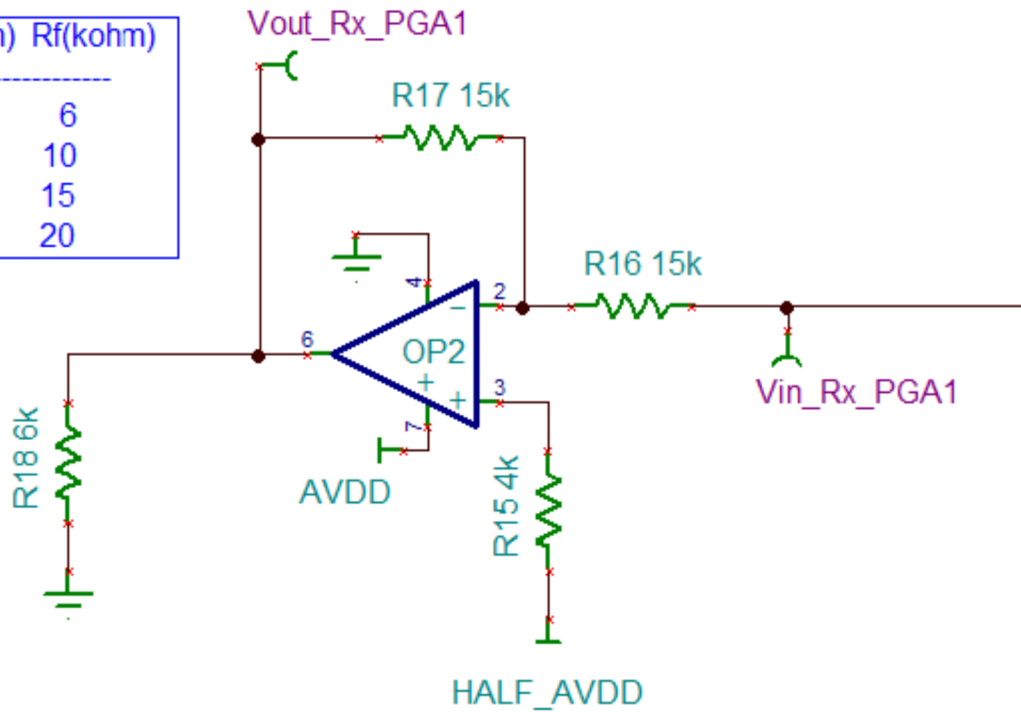


Figure 6. Programmable Gain Amplifier on the Receiver Path

1.3 Line-Coupling Circuit

Figure 7 shows the modem line-coupling circuit that consists of a passive shunt filter (C3 and R1), protection transient voltage suppressors (TVSs), line-coupling transformer, and power-line (PL)-side band-pass filter.

The shunt filter dampens high-frequency components that arise during circuit startup and remain until steady state is reached. U5 is an optional filter used to decrease lower-frequency components that also arise during circuit startup.

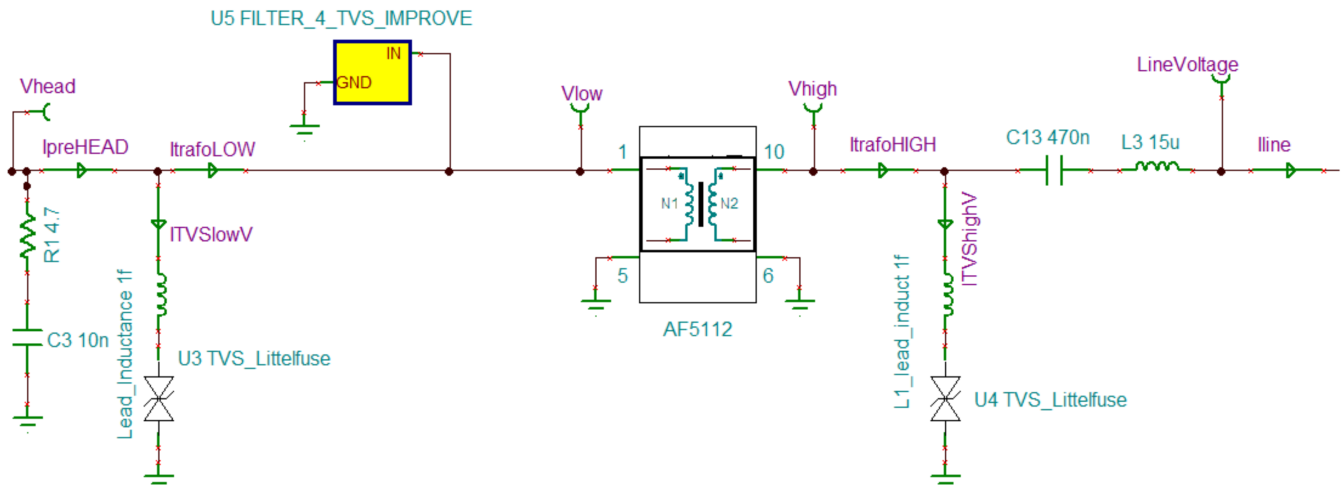


Figure 7. Modem Line-Coupling Circuit

Figure 7 includes inductors in series to the TVSs to account for printed circuit board (PCB) parasitics. For more information on the purpose and selection of the line-coupling circuit elements, refer to the [AFE031](#) and application report [Analog Front-End Design for a Narrowband Power-Line Communications Modem Using the AFE031 \(SBOA130\)](#).

2 Typical Simulation

To run a typical simulation of the two-node PLC system using TINA version 9.3, click on Analysis > Transient. A dialog box allows the user to define the simulation time and initial conditions. Selecting zero initial conditions provides results with all capacitors starting at zero volts. Figure 8 and Figure 9 show these steps.

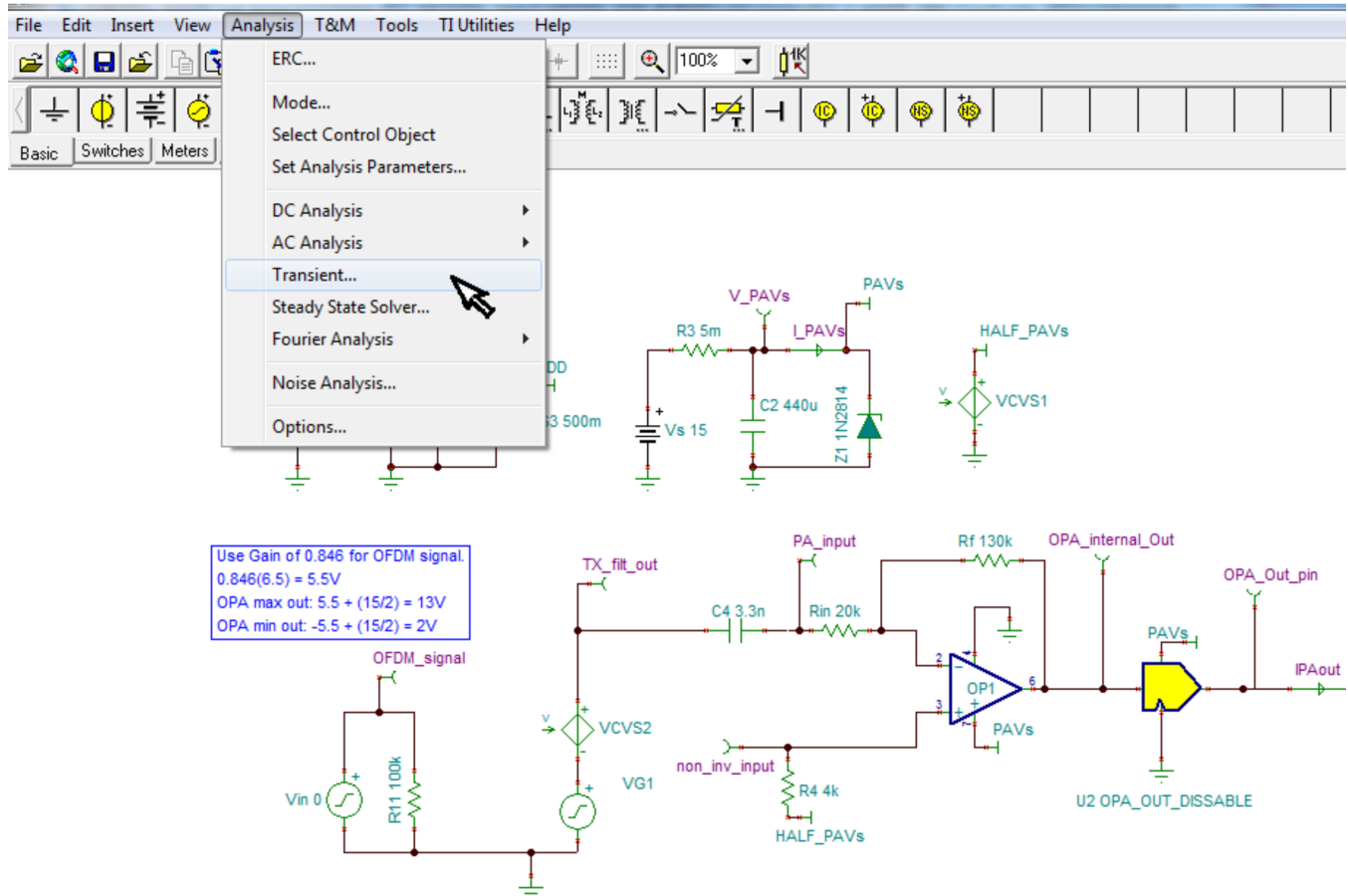


Figure 8. Transient Analysis Menu in TINA Version 9.3

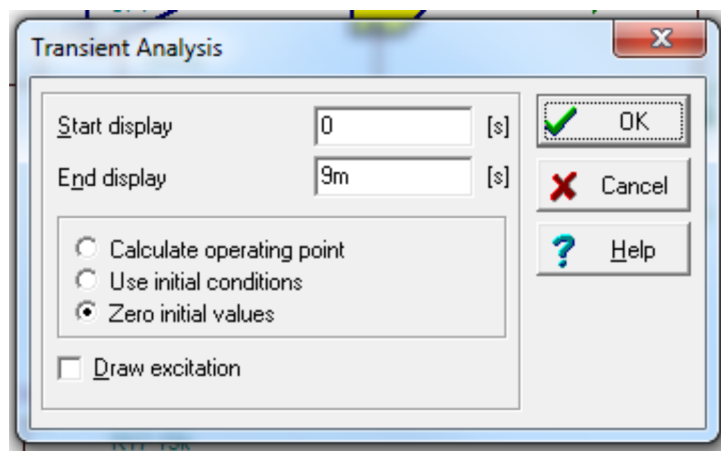


Figure 9. Dialog Box

After running a typical simulation, the user can probe various nodes and observe circuit behavior. **Figure 10** shows the waveforms corresponding to a typical simulation where the left-hand side modem is transmitting and the right-hand side modem is receiving. The raw OFDM signal, the power amplifier output of the transmitting modem, and the signal at the output of the Rx_PGA in the receiving modem are shown in **Figure 10**.

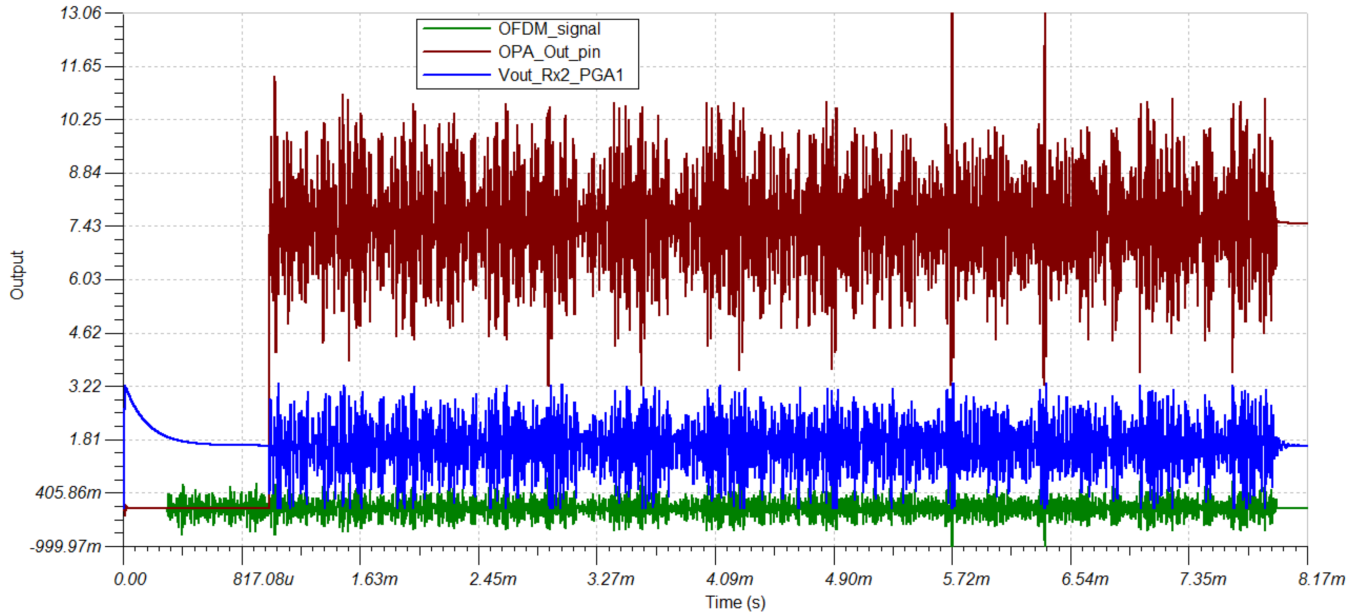


Figure 10. Results From a Typical Simulation

Table 1 provides a summary of signals in the simulation schematic. Note that all signals present in modem 1 have a counterpart signal in modem 2.

Table 1. Signals in Modem 1

| Signal Label | Description |
|------------------|---|
| OFDM_signal | Six consecutive OFDM symbols (1.28 ms per symbol) synthesized with 36 equidistant and equipotential tones |
| TX_filt_out | Signal modeling the output of the transmitter filter; this signal can be measured on terminal 2, jumper 4 of the AFE031 module in the TMDSPCKIT-V3 |
| non_inv_input | Signal present on the noninverting input of the power amplifier |
| PA_input | Input to the power amplifier (pin 18 of the AFE031) |
| OPA_internal_Out | Signal corresponding to the ideal output of the power amplifier, regardless of the PA output disable block state |
| OPA_Out_pin | Signal on pins 42 and 43 of the AFE031; this signal depends on whether the PA output is enabled or not |
| IPAOut | Current flowing out of the power amplifier (pins 42 and 43 of the AFE031) |
| Vpost_head | Signal in the middle point of the PA-side line-coupling circuit |
| IpostHEAD | Current flowing through the LC combination in the PA-side line-coupling circuit |
| Vhead | Signal in the PA-side winding of the line-coupling transformer; this signal can be measured on TP2 and TP4 of the AFE031 module in the TMDSPCKIT-V3 |
| ItrafoLOW | Current flowing through the PA-side winding of the line-coupling transformer |
| Vhigh | Signal on the power-line side of the line-coupling transformer |
| ItrafoHIGH | Current flowing through the winding in the power-line side of the line-coupling transformer |
| LineVoltage | Signal at the point of connection to the power line |
| I_Rx | Current flowing into the receiver portion of the modem |
| Vin_Rx_PGA1 | Input to the receiver PGA1 |
| Vout_Rx_PGA1 | Output of the receiver PGA1 |
| AVDD | Analog supply (3.3 V, typical) |
| HALF_AVDD | Analog supply level divided by two |
| V_PAVs | Power amplifier supply |
| HALF_PAVs | Power amplifier level divided by two |

Evaluation Board/Kit Important Notice

Texas Instruments (TI) provides the enclosed product(s) under the following conditions:

This evaluation board/kit is intended for use for **ENGINEERING DEVELOPMENT, DEMONSTRATION, OR EVALUATION PURPOSES ONLY** and is not considered by TI to be a finished end-product fit for general consumer use. Persons handling the product(s) must have electronics training and observe good engineering practice standards. As such, the goods being provided are not intended to be complete in terms of required design-, marketing-, and/or manufacturing-related protective considerations, including product safety and environmental measures typically found in end products that incorporate such semiconductor components or circuit boards. This evaluation board/kit does not fall within the scope of the European Union directives regarding electromagnetic compatibility, restricted substances (RoHS), recycling (WEEE), FCC, CE or UL, and therefore may not meet the technical requirements of these directives or other related directives.

Should this evaluation board/kit not meet the specifications indicated in the User's Guide, the board/kit may be returned within 30 days from the date of delivery for a full refund. **THE FOREGOING WARRANTY IS THE EXCLUSIVE WARRANTY MADE BY SELLER TO BUYER AND IS IN LIEU OF ALL OTHER WARRANTIES, EXPRESSED, IMPLIED, OR STATUTORY, INCLUDING ANY WARRANTY OF MERCHANTABILITY OR FITNESS FOR ANY PARTICULAR PURPOSE.**

The user assumes all responsibility and liability for proper and safe handling of the goods. Further, the user indemnifies TI from all claims arising from the handling or use of the goods. Due to the open construction of the product, it is the user's responsibility to take any and all appropriate precautions with regard to electrostatic discharge.

EXCEPT TO THE EXTENT OF THE INDEMNITY SET FORTH ABOVE, NEITHER PARTY SHALL BE LIABLE TO THE OTHER FOR ANY INDIRECT, SPECIAL, INCIDENTAL, OR CONSEQUENTIAL DAMAGES.

TI currently deals with a variety of customers for products, and therefore our arrangement with the user **is not exclusive.**

TI assumes **no liability for applications assistance, customer product design, software performance, or infringement of patents or services described herein.**

Please read the User's Guide and, specifically, the Warnings and Restrictions notice in the User's Guide prior to handling the product. This notice contains important safety information about temperatures and voltages. For additional information on TI's environmental and/or safety programs, please contact the TI application engineer or visit www.ti.com/esh.

No license is granted under any patent right or other intellectual property right of TI covering or relating to any machine, process, or combination in which such TI products or services might be or are used.

FCC Warning

This evaluation board/kit is intended for use for **ENGINEERING DEVELOPMENT, DEMONSTRATION, OR EVALUATION PURPOSES ONLY** and is not considered by TI to be a finished end-product fit for general consumer use. It generates, uses, and can radiate radio frequency energy and has not been tested for compliance with the limits of computing devices pursuant to part 15 of FCC rules, which are designed to provide reasonable protection against radio frequency interference. Operation of this equipment in other environments may cause interference with radio communications, in which case the user at his own expense will be required to take whatever measures may be required to correct this interference.

EVM Warnings and Restrictions

It is important to operate this EVM within the input voltage range of and the output voltage range of .

Exceeding the specified input range may cause unexpected operation and/or irreversible damage to the EVM. If there are questions concerning the input range, please contact a TI field representative prior to connecting the input power.

Applying loads outside of the specified output range may result in unintended operation and/or possible permanent damage to the EVM. Please consult the EVM User's Guide prior to connecting any load to the EVM output. If there is uncertainty as to the load specification, please contact a TI field representative.

During normal operation, some circuit components may have case temperatures greater than . The EVM is designed to operate properly with certain components above as long as the input and output ranges are maintained. These components include but are not limited to linear regulators, switching transistors, pass transistors, and current sense resistors. These types of devices can be identified using the EVM schematic located in the EVM User's Guide. When placing measurement probes near these devices during operation, please be aware that these devices may be very warm to the touch.

Mailing Address: Texas Instruments, Post Office Box 655303, Dallas, Texas 75265
Copyright © 2013, Texas Instruments Incorporated

IMPORTANT NOTICE

Texas Instruments Incorporated and its subsidiaries (TI) reserve the right to make corrections, enhancements, improvements and other changes to its semiconductor products and services per JESD46, latest issue, and to discontinue any product or service per JESD48, latest issue. Buyers should obtain the latest relevant information before placing orders and should verify that such information is current and complete. All semiconductor products (also referred to herein as "components") are sold subject to TI's terms and conditions of sale supplied at the time of order acknowledgment.

TI warrants performance of its components to the specifications applicable at the time of sale, in accordance with the warranty in TI's terms and conditions of sale of semiconductor products. Testing and other quality control techniques are used to the extent TI deems necessary to support this warranty. Except where mandated by applicable law, testing of all parameters of each component is not necessarily performed.

TI assumes no liability for applications assistance or the design of Buyers' products. Buyers are responsible for their products and applications using TI components. To minimize the risks associated with Buyers' products and applications, Buyers should provide adequate design and operating safeguards.

TI does not warrant or represent that any license, either express or implied, is granted under any patent right, copyright, mask work right, or other intellectual property right relating to any combination, machine, or process in which TI components or services are used. Information published by TI regarding third-party products or services does not constitute a license to use such products or services or a warranty or endorsement thereof. Use of such information may require a license from a third party under the patents or other intellectual property of the third party, or a license from TI under the patents or other intellectual property of TI.

Reproduction of significant portions of TI information in TI data books or data sheets is permissible only if reproduction is without alteration and is accompanied by all associated warranties, conditions, limitations, and notices. TI is not responsible or liable for such altered documentation. Information of third parties may be subject to additional restrictions.

Resale of TI components or services with statements different from or beyond the parameters stated by TI for that component or service voids all express and any implied warranties for the associated TI component or service and is an unfair and deceptive business practice. TI is not responsible or liable for any such statements.

Buyer acknowledges and agrees that it is solely responsible for compliance with all legal, regulatory and safety-related requirements concerning its products, and any use of TI components in its applications, notwithstanding any applications-related information or support that may be provided by TI. Buyer represents and agrees that it has all the necessary expertise to create and implement safeguards which anticipate dangerous consequences of failures, monitor failures and their consequences, lessen the likelihood of failures that might cause harm and take appropriate remedial actions. Buyer will fully indemnify TI and its representatives against any damages arising out of the use of any TI components in safety-critical applications.

In some cases, TI components may be promoted specifically to facilitate safety-related applications. With such components, TI's goal is to help enable customers to design and create their own end-product solutions that meet applicable functional safety standards and requirements. Nonetheless, such components are subject to these terms.

No TI components are authorized for use in FDA Class III (or similar life-critical medical equipment) unless authorized officers of the parties have executed a special agreement specifically governing such use.

Only those TI components which TI has specifically designated as military grade or "enhanced plastic" are designed and intended for use in military/aerospace applications or environments. Buyer acknowledges and agrees that any military or aerospace use of TI components which have **not** been so designated is solely at the Buyer's risk, and that Buyer is solely responsible for compliance with all legal and regulatory requirements in connection with such use.

TI has specifically designated certain components as meeting ISO/TS16949 requirements, mainly for automotive use. In any case of use of non-designated products, TI will not be responsible for any failure to meet ISO/TS16949.

Products

| | |
|------------------------------|--|
| Audio | www.ti.com/audio |
| Amplifiers | amplifier.ti.com |
| Data Converters | dataconverter.ti.com |
| DLP® Products | www.dlp.com |
| DSP | dsp.ti.com |
| Clocks and Timers | www.ti.com/clocks |
| Interface | interface.ti.com |
| Logic | logic.ti.com |
| Power Mgmt | power.ti.com |
| Microcontrollers | microcontroller.ti.com |
| RFID | www.ti-rfid.com |
| OMAP Applications Processors | www.ti.com/omap |
| Wireless Connectivity | www.ti.com/wirelessconnectivity |

Applications

| | |
|-------------------------------|--|
| Automotive and Transportation | www.ti.com/automotive |
| Communications and Telecom | www.ti.com/communications |
| Computers and Peripherals | www.ti.com/computers |
| Consumer Electronics | www.ti.com/consumer-apps |
| Energy and Lighting | www.ti.com/energy |
| Industrial | www.ti.com/industrial |
| Medical | www.ti.com/medical |
| Security | www.ti.com/security |
| Space, Avionics and Defense | www.ti.com/space-avionics-defense |
| Video and Imaging | www.ti.com/video |

TI E2E Community

e2e.ti.com