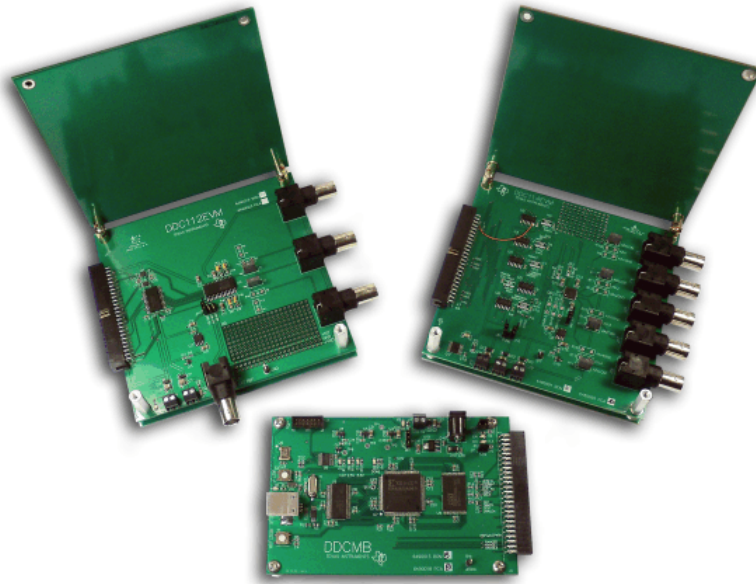


## **DDC11xEVM-PDK User's Guide**



**Figure 1. DDC11xEVM-PDK Photo**

The DDC11xEVM-PDK is an evaluation kit for evaluating the [DDC112](#) (dual channel) and [DDC114](#) (quad channel) current input 20-bit analog-to-digital (A/D) converters. The kit consists of a motherboard (DDCMB) for interfacing to a PC, one DDC112 device board (DDC112EVM), and one DDC114 device board (DDC114EVM). Easy-to-use software for the Microsoft Windows® operating system is included that allows performance evaluation of either device. Complete circuit descriptions, schematic diagrams, and bills of material are included in this user's guide.

The following related documents are available through the Texas Instruments web site at [www.ti.com](http://www.ti.com).

### **EVM-Compatible Device Data Sheets**

| Device                       | Literature Number       | Device                    | Literature Number       |
|------------------------------|-------------------------|---------------------------|-------------------------|
| <a href="#">DDC112U</a>      | <a href="#">SBAS085</a> | <a href="#">SN74LVC07</a> | <a href="#">SCES337</a> |
| <a href="#">DDC114</a>       | <a href="#">SBAS255</a> | <a href="#">REG113</a>    | <a href="#">SBVS031</a> |
| <a href="#">OPA350</a>       | <a href="#">SBOS099</a> | <a href="#">TPS75233</a>  | <a href="#">SLVS242</a> |
| <a href="#">SN74LVC2T45</a>  | <a href="#">SCES516</a> | <a href="#">SN105125</a>  | <a href="#">SLVS418</a> |
| <a href="#">SN74LVC4245A</a> | <a href="#">SCAS375</a> | <a href="#">LM4040A41</a> | <a href="#">SLOS456</a> |
| <a href="#">REG104</a>       | <a href="#">SBVS025</a> |                           |                         |

Windows, Microsoft, Windows XP, Excel are registered trademarks of Microsoft Corporation.  
Spartan is a trademark of Xilinx, Inc.  
All other trademarks are the property of their respective owners.

## Contents

|   |                                      |    |
|---|--------------------------------------|----|
| 1 | Introduction .....                   | 3  |
| 2 | DDC112 .....                         | 3  |
| 3 | DDC112EVM Hardware Description ..... | 5  |
| 4 | DDC114 .....                         | 8  |
| 5 | DDC114EVM Hardware Description ..... | 9  |
| 6 | DDCMB Hardware Description .....     | 10 |
| 7 | DDC11xEVM-PDK Kit Operation .....    | 11 |
| 8 | Schematics and Layout .....          | 25 |

## List of Figures

|    |  |    |
|----|--|----|
| 1  | DDC11xEVM-PDK Photo .....  | 1  |
| 2  | DDC112 Functional Block Diagram .....                                | 3  |
| 3  | Integration/Conversion Timing of a Dual DDC112 A/D Converter.....    | 4  |
| 4  | Recommended Shield for DDC112 Layout Design.....                     | 6  |
| 5  | Input Structure on the DDC112EVM DUT Board .....                     | 7  |
| 6  | External Gain Capacitor Socket Configuration for the DUT Board ..... | 8  |
| 7  | DDC114 Block Diagram.....  | 8  |
| 8  | Initial Found New Hardware Wizard Screen .....                       | 12 |
| 9  | Driver Selection for DDC USB Motherboard drv.1 .....                 | 12 |
| 10 | Select to Search Removable Media to Find Drivers on CD .....         | 13 |
| 11 | Driver Not Signed Notification—Choose Continue Anyway.....           | 13 |
| 12 | Copying Driver Files.....  | 14 |
| 13 | First Driver Installation Complete.....                              | 14 |
| 14 | Driver Selection for DDC USB Motherboard drv.2 .....                 | 15 |
| 15 | Second Driver Not Signed Notification—Choose Continue Anyway.....    | 15 |
| 16 | Copying Files for Additional Driver .....                            | 16 |
| 17 | Initial Software Installer Screen.....                               | 16 |
| 18 | Choose Software Installation Directory .....                         | 17 |
| 19 | Software Installation Complete .....                                 | 17 |
| 20 | Initial Software Screen, FPGA Control Tab .....                      | 18 |
| 21 | Daughtercard Selection.....  | 19 |
| 22 | Data Summary Tab .....   | 22 |
| 23 | Graph Tab .....  | 23 |
| 24 | USB Error Notification Dialog .....                                  | 24 |
| 25 | Silkscreen for DDC112EVM DUT Board .....                             | 25 |
| 26 | Top Layer of DDC112EVM DUT Board .....                               | 26 |
| 27 | Bottom Layer of DDC112EVM DUT Board .....                            | 27 |
| 28 | Silkscreen for DDC114EVM DUT Board .....                             | 28 |
| 29 | Top Layer of DDC114EVM DUT Board .....                               | 29 |
| 30 | Bottom Layer of DDC114EVM DUT Board .....                            | 30 |
| 31 | Silkscreen of DDCMB Motherboard.....                                 | 31 |
| 32 | Top Layer of DDCMB Motherboard.....                                  | 31 |
| 33 | Mid Layer 1 of DDCMB Motherboard .....                               | 32 |
| 34 | Mid Layer 2 of DDCMB Motherboard .....                               | 32 |
| 35 | Bottom Layer of DDCMB Motherboard .....                              | 33 |
| 36 | Bottom Silkscreen of DDCMB Motherboard .....                         | 33 |

List of Tables

|   |   |    |
|---|---|----|
| 1 | Input Ranges vs Gain Settings for the DDC112 .....                                      | 4  |
| 2 | Jumper Setting Definitions for JP1 for the Voltage Reference Source for the DDC112..... | 7  |
| 3 | Range Selection of the DDC114.....  | 9  |
| 4 | Power Option Jumpers for DDC114 DUT Board .....   | 9  |
| 5 | DDCMB LED Indicator Functions .....   | 11 |
| 6 | DDC112EVM Bill of Materials .....   | 34 |
| 7 | DDC114EVM Bill of Materials .....   | 35 |
| 8 | DDCMB Bill of Materials .....   | 36 |

1 Introduction

The DDC11xEVM-PDK provides an easy-to-use platform for evaluating the DDC112 or DDC114 charge-digitizing A/D converters. A PC interface board (DDCMB) and daughterboards for the DDC112 or DDC114 are included along with software that makes analysis and testing of these devices simple.

2 DDC112

The DDC112 is a dual input, precision, wide dynamic range, charge-digitizing A/D converter with 20-bit resolution. The functional block diagram is shown in Figure 2. Low-level current output devices, such as photo sensors, can be directly connected to the DDC112 input. The most stringent accuracy requirements of many unipolar output sensor applications occur at low signal levels. The DDC112 combines the functions of current-to-voltage conversion, integration, programmable full-scale, A/D conversion, and digital filtering to produce precision, wide dynamic range results. Oversampling and digital filtering reduce system noise dramatically. Correlated double sampling captures and eliminates steady state and conversion cycle-dependent offset and switching errors that conventional analog circuits do not eliminate.

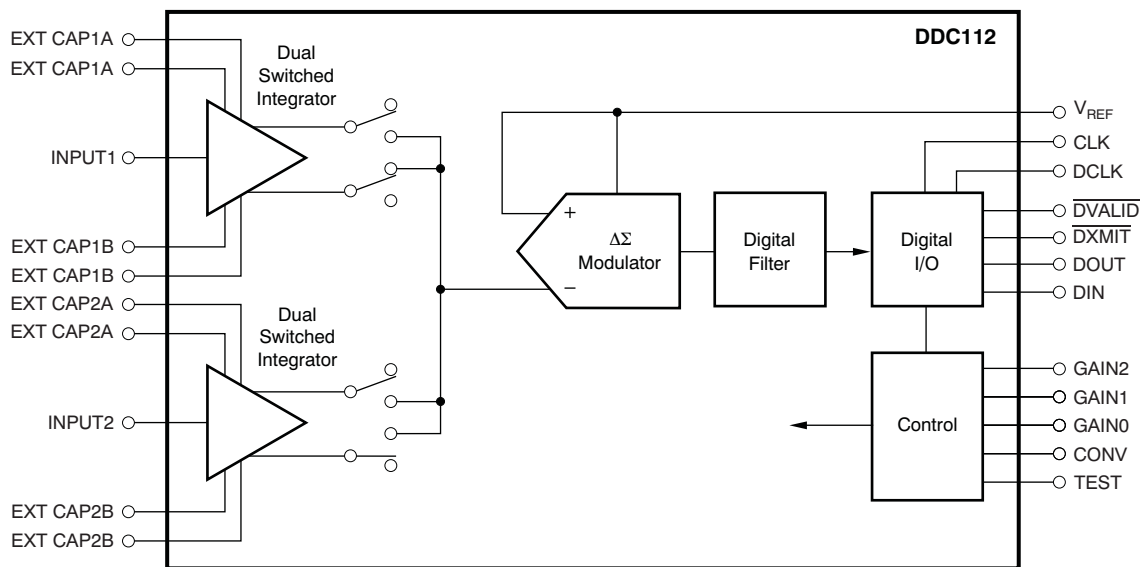
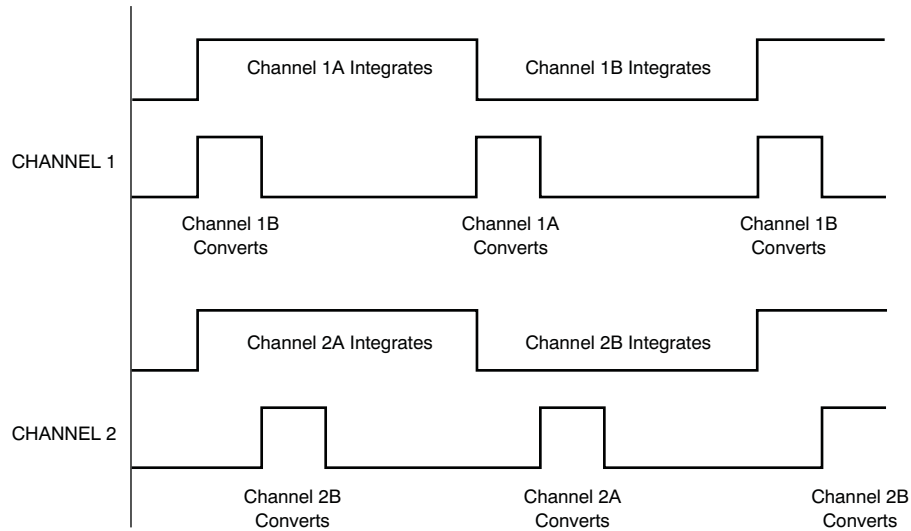


Figure 2. DDC112 Functional Block Diagram

The DDC112 continuously integrates the input signal by incorporating one dual integrator (A and B) per input channel. The output of the dual integrators are multiplexed into the A/D converter. In operation, one side of each input integrates the input charge, while the other side is being converted by the delta-sigma A/D converter and then reset. Figure 3 illustrates this operation. Another unique feature of the DDC112 is the option of external integrating capacitors. This option allows a user-programmable full-scale range. On the DDC112EVM evaluation fixture, sockets are provided on the device under test (DUT) board (P<sub>13</sub> to P<sub>20</sub>) to allow for easy insertion of these optional capacitors.



**Figure 3. Integration/Conversion Timing of a Dual DDC112 A/D Converter**

The gain of the DDC112 can be programmed to seven predetermined values through the software. Likewise, a user can install four external capacitors (C10, C11, C12, and C13) and design in a custom gain setting. Table 1 summarizes the available gain options.

**Table 1. Input Ranges vs Gain Settings for the DDC112<sup>(1)</sup>**

| Input Range<br>Q <sub>IN</sub> Range (pC) | Integration Capacitor (Nominal)<br>C <sub>INT</sub> (pF) |
|---|--|
| -0.2 to 50                                | 12.5 (internal)  |
| -0.4 to 100                               | 25.0 (internal)  |
| -0.6 to 150                               | 37.5 (internal)  |
| -0.8 to 200                               | 50.0 (internal)  |
| -1.0 to 250                               | 62.5 (internal)  |
| -1.2 to 300                               | 75.0 (internal)  |
| -1.4 to 350                               | 87.5 (internal)  |
| -4.0 to 1000                              | 250 (external)   |

<sup>(1)</sup> In this example, the integration time is 1 ms.

Assuming a 10MHz system clock (pin 10 of the DUT), the relationship between the integration time, input current, and input charge is summarized in [Equation 1](#) through [Equation 3](#).

$$T_{\text{INT}} = \frac{Q_{\text{IN}}}{I_{\text{IN(max)}}} \quad (1)$$

$$\left[ \frac{T_{\text{INT}}}{C_{\text{INT}}} \right] = \left[ \frac{V_{\text{REF}}}{I_{\text{IN(max)}}} \right] \quad (2)$$

$$C_{\text{INT}} = \left[ \frac{Q_{\text{IN}}}{V_{\text{REF}} - 0.1\text{V}} \right]$$

where

- $T_{\text{INT}}$  = integration time in ms
  - $Q_{\text{IN}}$  = input charge in coulombs
  - $I_{\text{IN}}$  = input current in amperes
- (3)

The dual switched integrators of the A/D converter use a differential input topology, with the noninverting input internally tied to VREF. This architecture allows the digitizer to operate from a single supply. Before the beginning of each integration, the integrator is reset to VREF. Additionally, the offset, offset drift, noise, and kT/C errors are corrected at that time. A low-noise voltage reference of 4.096V (nominal) provides the best performance from the DDC112. The reference that is designed for the DDC112EVM DUT board is implemented with a LM4040 (4.1V reference), a low-pass R/C filter, and a single-supply operational amplifier (U3). The operational amplifier is loaded with multiple capacitors in an effort to further reduce reference noise and ripple.

A digital filter in the DDC112 passes a low-noise, high-resolution digital output to the serial I/O register. Because the serial I/O register is independent of the DDC112 conversion process, the output of multiple DDC112 units can be connected together in series to minimize interconnections.

The DDC112 integrates on one side of the dual switched integrator while it digitizes the other side (as illustrated in [Figure 3](#)). In the event that the integration time is less than the amount of time required to digitize Channel 1 and Channel 2, the DDC112 changes to a non-continuous mode. In this mode, the integration is not continuous and the device appears to skip integrations. The limiting factor in these situations is the time required to digitize the signals (Channel 1 and Channel 2).

### 3 DDC112EVM Hardware Description

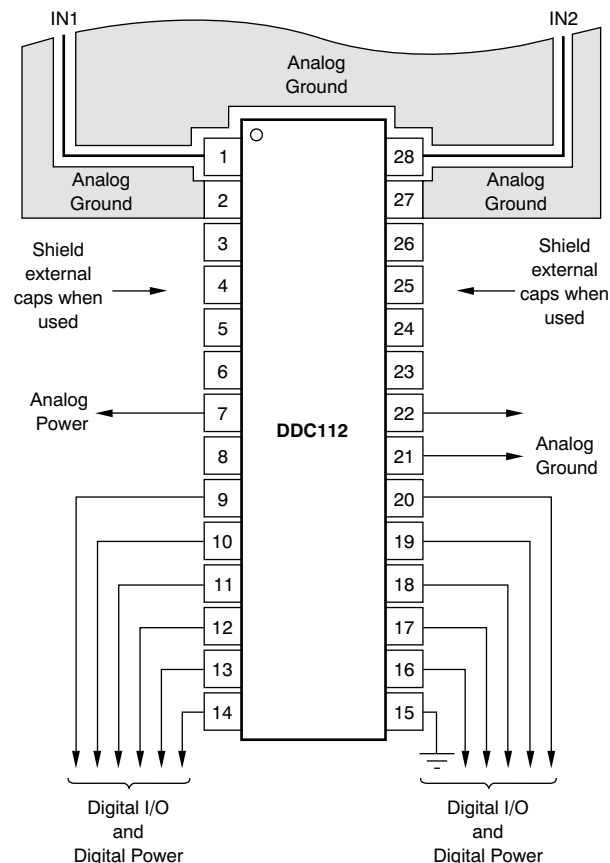
The DDC112EVM is a device-under-test (DUT) board that contains one DDC112 device to be tested, data buffers, 4.1V reference, decoupling capacitors, sockets for optional input circuits, sockets for optional external gain configurations, and an analog breadboard area (see [Figure 25](#) for layout artwork and appended schematic).

The PC interface board (DDCMB) and the DUT board are separate to minimize digital noise effects on the DDC112 unit being tested, as well as to allow for other DUT boards to be used (for example, a board with multiple converters). Digital buffers are installed at both ends of the interface to improve the isolation between the boards.

The DDC112EVM DUT board is carefully laid out to ensure low-noise evaluations. Note that all the digital pins are located on one end of the DDC112U with the analog pins on the other. Be careful to keep the digital activity as far away from the analog pins as possible. In particular, pins 9 through 17 of the DDC112U have higher digital activity than the others, and should be shielded from the analog functions. The digital return lines are carefully separated on the DDC112EVM DUT board. The additional ground plane shields on the top and bottom of the DDC112EVM DUT board are installed with the board to ensure that low-noise tests are possible. During operation, the lid of the DDC112EVM DUT board should be closed.

Proper grounding and shielding practices should be taken into consideration when designing the circuit layout for the DDC112. In the event that the application cannot tolerate the additional shields of the DDC112EVM DUT board, an alternative layout is shown in [Figure 4](#), where a PC ground plane is placed around the inputs of the DDC112 (pins 1 and 28). This shield helps minimize coupled noise into the input pins. Additionally, the pins that are used for the external integration capacitors (pins 3, 4, 5, 6, 23, 24, 25, and 26) should be guarded by a ground plane when the external capacitors are used.

The digital and analog planes are not separate on this demonstration fixture because of the low level of digital activity on the board. Regardless of the power-supply strategy, the bypass capacitors should be as close to the device as possible.



**Figure 4. Recommended Shield for DDC112 Layout Design**

### 3.1 Reference Circuit

The 4.096V reference that has been installed on the DDC112EVM DUT board has been carefully selected because of its low-noise performance. The LM4040-4.1 provides a 4.096V (nominal) reference. At the reference output, a single pole (3.157Hz) low-pass filter is inserted in the reference signal path. This filter is then followed by an amplifier configured as a buffer. The output of the amplifier has been loaded with 20.1 $\mu$ F of capacitance. This value of capacitance was derived through experimentation. The voltage reference circuit described above has been found to enable the DDC112U to perform optimally.

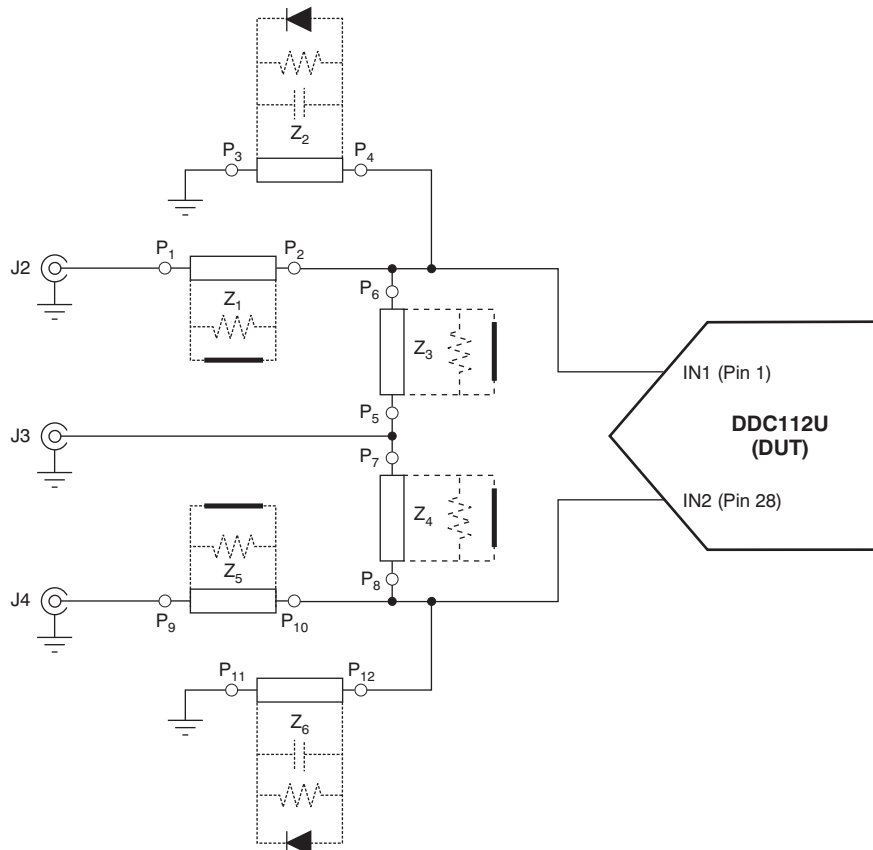
To evaluate alternative reference circuits, use jumper JP1 to connect an external reference source through the BNC connector, J5, or a user-designed reference circuit from the breadboard. [Table 2](#) shows the jumper settings for JP1.

**Table 2. Jumper Setting Definitions for JP1 for the Voltage Reference Source for the DDC112**

| Jumper Setting | Jumper Setting Function                           |
|----------------|---|
| Position A     | Connects the 4.096V onboard reference to the DUT. |
| Position B     | Connects the EXT VREF connector, J5, to the DUT.  |
| Position C     | Connects the breadboard VREF bus to the DUT.      |

### 3.2 Optional Component Sockets

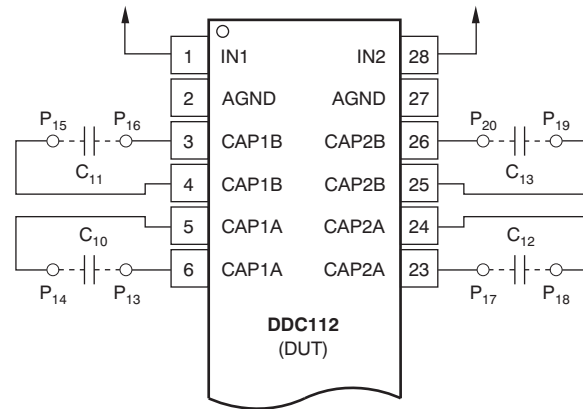
Resistor and capacitor socket locations are included on the DDC112EVM DUT board to allow for optional input circuits and easy insertion of the optional external gain capacitors.



**Figure 5. Input Structure on the DDC112EVM DUT Board**

Figure 5 shows the topology of the input socket options and BNC connectors. For this input structure to work as shown, jumpers JP2 and JP3 must be removed from the DDC112 DUT board so that R6 and R7 have no effect at the input. To simplify the diagram JP2, JP3, R6, and R7 are not shown. Using this arrangement, several different input configurations can be implemented on the DDC112 DUT board. For example, a photosensor can be installed for the IN1 (pin 1 of the DUT) using the P<sub>3</sub> and P<sub>4</sub> sockets. Alternatively, a voltage source could be used to excite the input of the converter by using J2 with a resistor installed in the Z<sub>1</sub> position (P<sub>1</sub> and P<sub>2</sub>) sockets. Both of these configurations can be implemented on the IN2 (pin 28) input as well. A dc offset current can be injected into the input through J3. A resistor in the Z<sub>3</sub> position should be inserted if the source from J3 is voltage. A short should be inserted if the source is a current. It can be quickly seen that a variety of configurations can be implemented with this input circuitry configuration. The factory setting for this circuit is all input sockets open. The default inputs to the DDC112 connect to R6 and R7, which are 10MΩ resistors. The input to the resistors can be selected using the jumpers JP2 and JP3. JP2 is used as an input selection for IN1 of the DDC112, and can be selected to receive an input from J2 or J3. JP3 is used to select the input for IN2 of the DDC112 and can receive an input from J3 or J4. The factory default setting for JP2 and JP3 is J3 (INPUT CM).

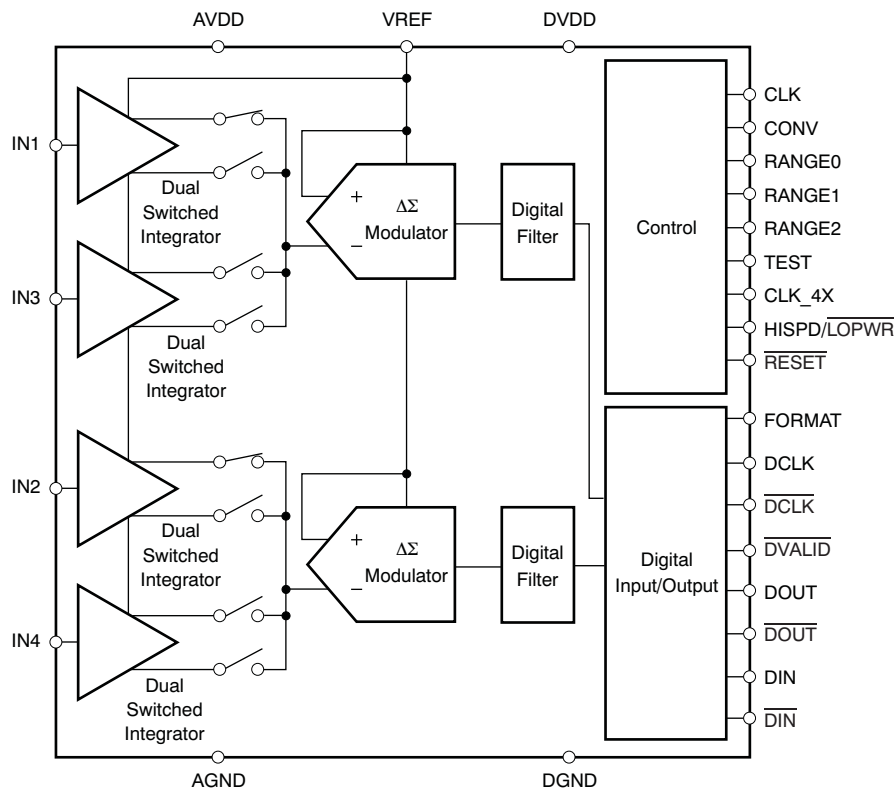
External capacitors can be inserted in the C10, C11, C12, and C13 positions, as shown in [Figure 6](#). These external capacitors can be used to set the gain of the DDC112U (DUT) to user specifications instead of the seven internal gains available. Refer to the [DDC112 portion](#) of this user guide for more details concerning the appropriate value of these external capacitors. For further detailed information, also refer to the [DDC112 product data sheet](#). For best performance, the leads of the capacitors should be as short as possible on C10 to C11 and C12 to C13.



**Figure 6. External Gain Capacitor Socket Configuration for the DUT Board**

#### 4 DDC114

The DDC114 is a 20-bit, quad channel, current-input A/D converter (as shown in [Figure 7](#)). It combines both current-to-voltage and A/D conversion so that four low-level current output devices, such as photodiodes, can be directly connected to its inputs and digitized.



**Figure 7. DDC114 Block Diagram**



For each of the four inputs, the DDC114 provides a dual-switched integrator front-end. This design allows for continuous current integration: while one integrator is being digitized by the onboard A/D converter, the other is integrating the input current. Adjustable full-scale ranges from 12pC to 350pC and adjustable integration times from 50 $\mu$ s to 1s allow currents from fAs to  $\mu$ As to be measured with outstanding precision. Low-level linearity is  $\pm 0.5$ ppm of the full-scale range and noise is 5.2ppm of the full-scale range.

In many ways, the DDC114 can be viewed as a dual DDC112; the difference between the devices is that the DDC112 offers the option of using external integrating capacitors, giving it the possibility for extended input ranges.

There are eight different capacitors available on-chip for both sides of every channel in the DDC114. These internal capacitors are trimmed in production to achieve the specified performance for range error of the DDC114. The range control pins (RANGE0–RANGE2) change the capacitor value for all four integrators. Consequently, all inputs and both sides of each input have the same full-scale range. [Table 3](#) shows the capacitor value selected for each range selection.

**Table 3. Range Selection of the DDC114**

| RANGE2 | RANGE1 | RANGE0 | C <sub>F</sub> (pF, typ) | Input Range (pC, typ) |
|--------|--------|--------|--------------------------|-----------------------|
| 0      | 0      | 0      | 3                        | –0.048 to 12          |
| 0      | 0      | 1      | 12.5                     | –0.2 to 50            |
| 0      | 1      | 0      | 25                       | –0.4 to 100           |
| 0      | 1      | 1      | 37.5                     | –0.6 to 150           |
| 1      | 0      | 0      | 50                       | –0.8 to 200           |
| 1      | 0      | 1      | 62.5                     | –0.1 to 250           |
| 1      | 1      | 0      | 75                       | –1.2 to 300           |
| 1      | 1      | 1      | 87.5                     | –1.4 to 350           |

## 5 DDC114EVM Hardware Description

The DDC114EVM is a device-under-test (DUT) board with a DDC114 device, data buffers, and a 4.1V reference (see [Figure 28](#) for layout artwork and appended schematic). The interface and the appropriate circuit options for this device are similar to those available on the DUT board for the DDC112.

Three power-supply connections are provided on this DUT board: 5V, DVDD, and AVDD. The 5V supply is regulated on the DUT board to provide a 3.3V supply for the interface buffers. DVDD is the digital supply for the DDC114 and can range from 2.7V to 5.5V; AVDD is the analog supply to the DDC114 and must be between 4.75V and 5.25V. Jumpers JP1 and JP2 allow the board 5V and AVDD supplies to be tied to DVDD, if a single 5V supply is used. [Table 4](#) summarizes the powering options of this board.

**Table 4. Power Option Jumpers for DDC114 DUT Board**

| Jumper | Description   |
|--------|---|
| JP1    | When installed, 5V is connected to DVDD (J3). When not installed, 5V must be supplied through J2.     |
| JP2    | When installed, AVDD is connected to DVDD (J3). When not installed, AVDD must be supplied through J4. |

The inputs to the DDC114 device can be provided individually on the J6–J9 (AIN1 to AIN4) BNC connectors. For testing purposes, all four channels can be driven with the same signal if it is provided on J5 (AINCOM). Each of the four input channels connect to a jumper (JP4–JP7) for selecting whether the input is common (AINCOM), or if each input is individually connected through the BNC connectors (J6–J9). Each jumper is connected to a 10MΩ resistor (R16–R19), which in turn goes to one of the input channels (AIN1–AIN4). The default configuration is to have each jumper connect to J5 (AINCOM) so that one signal feeds all four channels through an individual 10MΩ resistor per channel. Pin socket locations are also provided at each BNC connector to allow a resistor or jumper to connect the BNC to the actual input channel. Refer to the appended schematic for details. The factory setting is all pin sockets open.

## 6 DDCMB Hardware Description

The PC interface board, or motherboard, is called the DDCMB. This board has a USB interface for connecting to a PC; the USB interfaces to a small microcontroller that controls the functions of a Xilinx Spartan™-3 FPGA. The FPGA generates all the timing signals that are sent to the DUT and handles communication of data between the DUT and the PC.

The DDCMB is designed to be extremely flexible and therefore has many configurable settings. These settings are described in the following subsections. When using the board with this evaluation kit, the default settings should be used. Refer to the appended schematic and the layout diagram in [Figure 31](#).

### 6.1 Motherboard Connectors

The USB interface to a personal computer is provided on J1. The connection to a DUT daughtercard is made using the J4 50-pin socket.

One connector is only provided for use in manufacturing the DDCMB. J2 is a JTAG header used for the configuration of the FPGA and downloading firmware to the EEPROM.

Power is supplied to the DDCMB in one of several ways. One way is directly through the screw terminal block J3. This input should be +5VDC. Another way is through connector J5. This connector accepts a 6V–9V DC voltage from an ac/dc wall adapter supply. AC adapters must be tip-positive/sleeve-negative, with an inner size of 2.5mm and outer size of 5.5mm. A third option is to power the board using the voltage supplied from the USB connection. Jumper JP3 allows selection of the USB supply or one of the two external supply options. The factory default settings for JP3 is the USB connection.

### 6.2 Motherboard Jumpers

Refer to [Figure 31](#) for location of jumpers on the DDCMB.

#### 6.2.1 Clock Options

Two clocks are used on the DDCMB: a clock for the USB microcontroller, and a clock for the FPGA. The FPGA generates all clocking signals for the DUT daughtercards. The USB microprocessor uses a 24MHz crystal (X1), while the FPGA (U7) uses an 80MHz crystal oscillator (U8).

#### 6.2.2 Power Supplies

JP1 provides 3.3V while JP2 provides 5V to the daughtercard via the 50-pin connector; if these options are used, assure that the daughtercard is not also supplying 3.3V or 5V locally. The factory default setting for JP1 and JP2 is installed.

### 6.3 Motherboard Switches

S1, RESET\_USB, resets the USB controller. Pushing this switch may be necessary if the DDCMB is not recognized by your PC when connecting it to the DDCMB.

S2, RESET\_FPGA, resets the FPGA. Normally, it should not be necessary to use this switch.

### 6.4 Hardware LEDs on the Motherboard

A number of LED indicators are on the DDCMB. These indicators allow ease of monitoring the state the motherboard is in. Refer to [Table 5](#) for a summary of these indicators.

**Table 5. DDCMB LED Indicator Functions**

| LED | Function Indicator                                    |
|-----|---|
| D1  | USB bus power detected.                               |
| D6  | FPGA configuration is done.                           |
| D5  | The motherboard is powered on with 5V available.      |
| D7  | 3.3V power to motherboard available.                  |
| D8  | 2.5V power to motherboard available.                  |
| D9  | 1.2V power to motherboard available.                  |
| D3  | 3.3V motherboard to daughterboard power is connected. |
| D4  | 5V motherboard to daughterboard power is connected    |

## 7 DDC11xEVM-PDK Kit Operation

This section provides information on using the DDC11xEVM-PDK, including setup, program installation, and program usage.

### 7.1 Minimum Requirements

Before installing the software please verify that the PC meets the following minimum requirements:

- Microsoft® Windows XP® operating system with Service Pack 2 (SP2) installed
- 1024 x 768 screen resolution
- USB 2.0 compatible port

Other configurations may work; however, they are not tested. Users should be advised that when capturing larger data sets, PCs equipped with the faster processors and ample memory tend to perform best.

### 7.2 Installing the Software

Application software can be downloaded from the [DDC11xEVM-PDK product folder](#). Unzip the downloaded file into a known location.

Before installing the DDC11xEVM-PDK application software, the USB drivers must be installed. This step is best accomplished by letting Windows find the drivers when the hardware connects. The drivers are located in the driver directory. To begin, connect a power supply to the DDCMB. If the wizard has trouble finding the driver files, point to the location where the application software was unzipped. Connect a USB cable from the computer to the DDCMB through J1.

Use the Windows *Found New Hardware* Wizard to install the drivers. The DDCMB requires a boot driver and an application driver; therefore, new setups require going through the Found New Hardware Wizard twice. [Figure 8](#) through [Figure 13](#) show the first driver screens that appear.



Figure 8. Initial Found New Hardware Wizard Screen

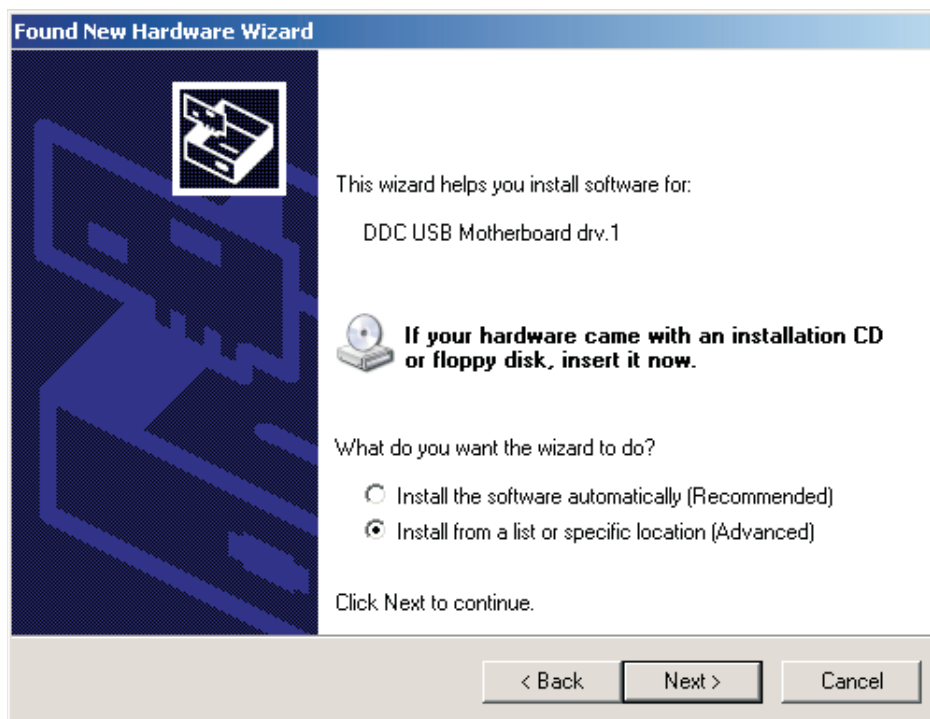


Figure 9. Driver Selection for DDC USB Motherboard drv.1

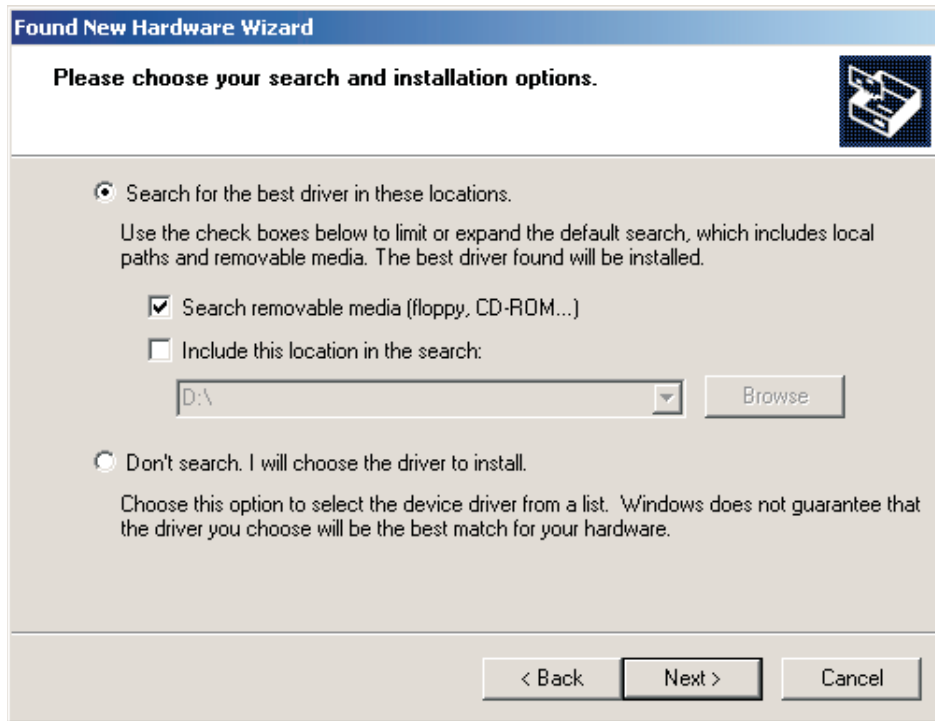
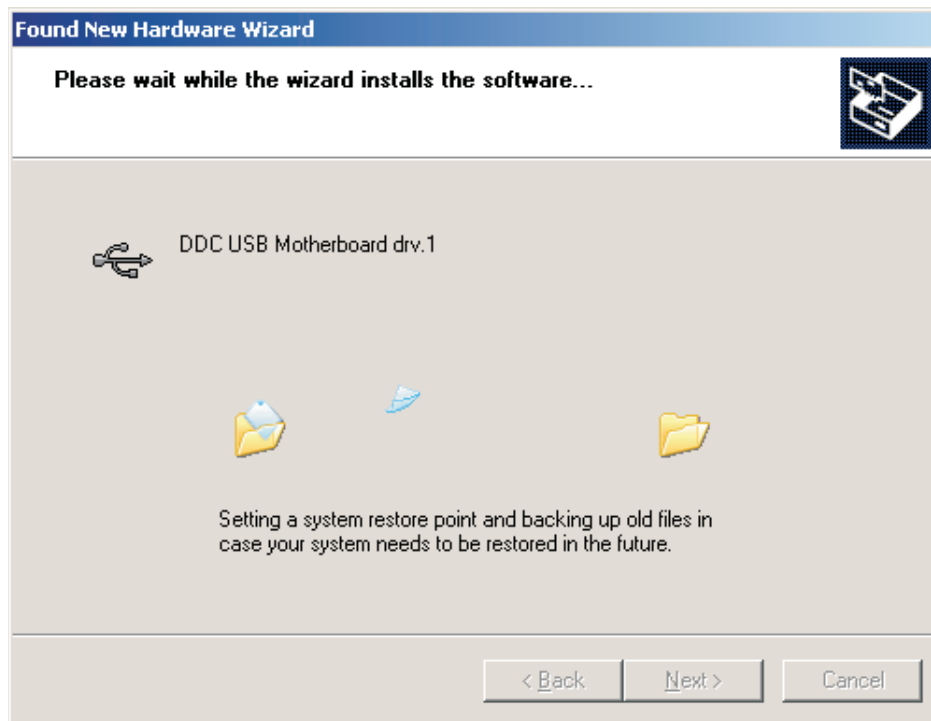


Figure 10. Select to Search Removable Media to Find Drivers on CD

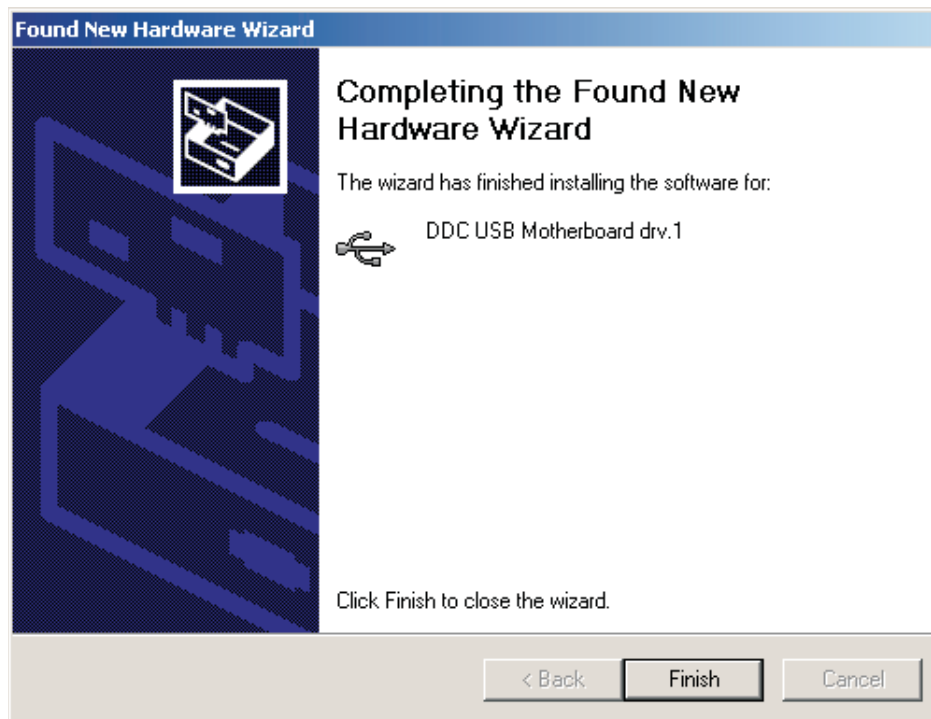
**NOTE:** You may see notices (Figure 11) that the drivers are not digitally signed, and given the option to accept the drivers anyway. Choose *Continue Anyway*.



Figure 11. Driver Not Signed Notification—Choose Continue Anyway



**Figure 12. Copying Driver Files**



**Figure 13. First Driver Installation Complete**

After the first driver is installed, disconnect and reconnect the USB cable to the DDCMB, or press the RESET\_USB button on the DDCMB. This step causes the second driver to be installed. You will then see screens similar to those in Figure 14 through Figure 16.

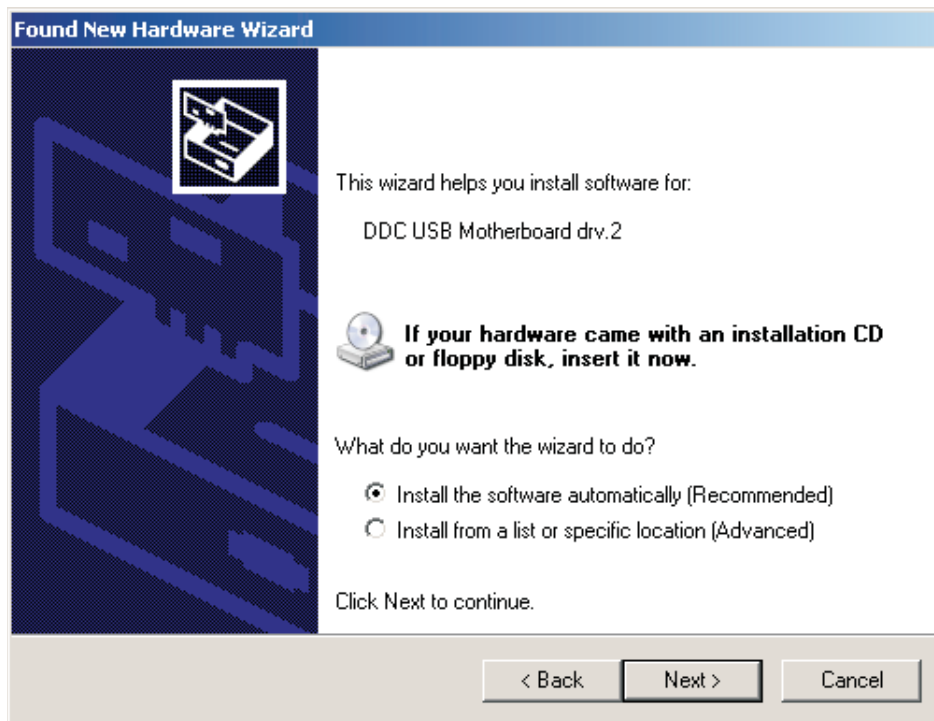


Figure 14. Driver Selection for DDC USB Motherboard drv.2

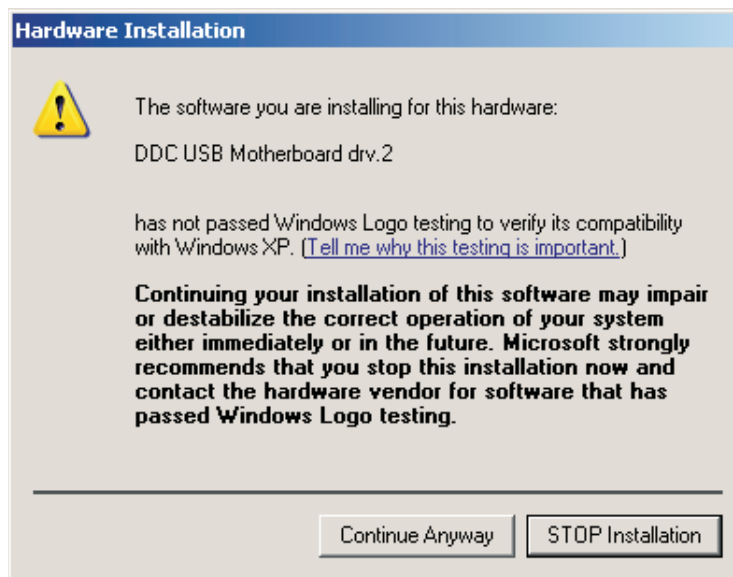
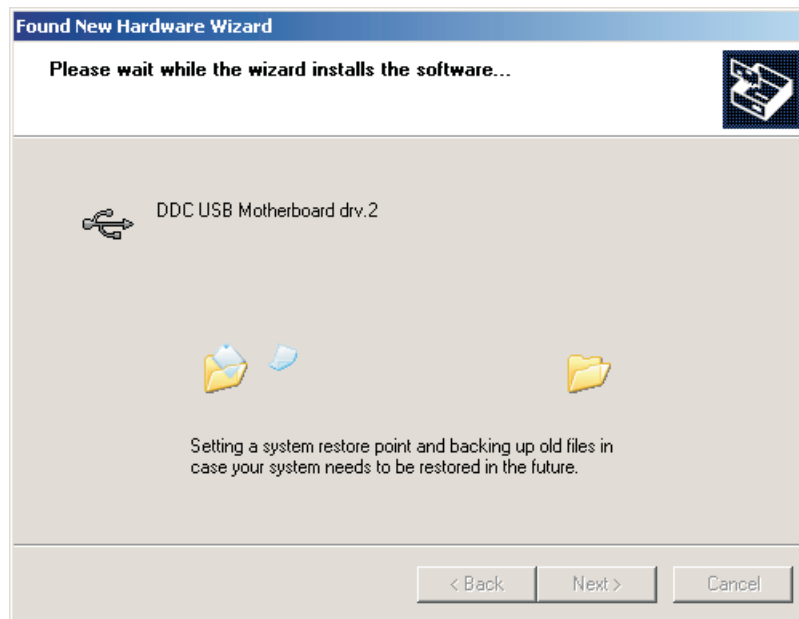
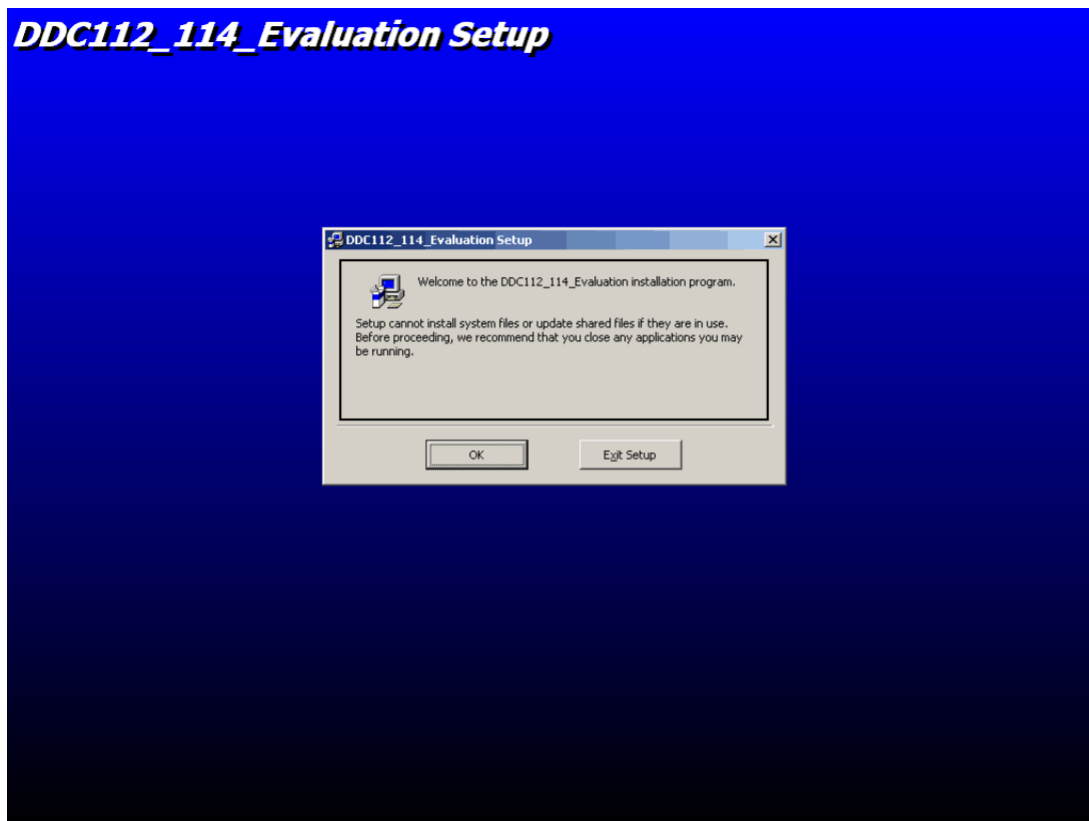


Figure 15. Second Driver Not Signed Notification—Choose Continue Anyway



**Figure 16. Copying Files for Additional Driver**

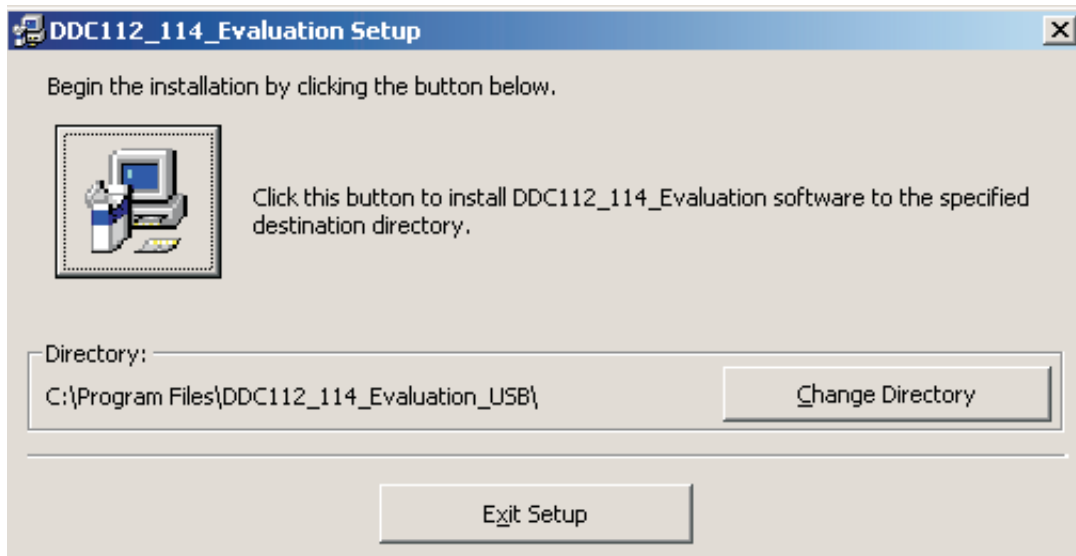
Once the USB drivers are installed, the DDC11x Evaluation program can be installed. Double-click on setup.exe in the install directory. A screen similar to that shown in [Figure 17](#) appears.



**Figure 17. Initial Software Installer Screen**

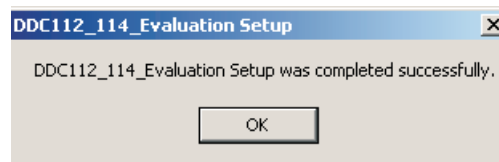


Next, the screen shown in [Figure 18](#) appears. Verify that the installation directory is correct, and press the large button in the upper left corner of this screen to proceed.



**Figure 18. Choose Software Installation Directory**

When the installer completes copying files, the screen shown in [Figure 19](#) appears.



**Figure 19. Software Installation Complete**

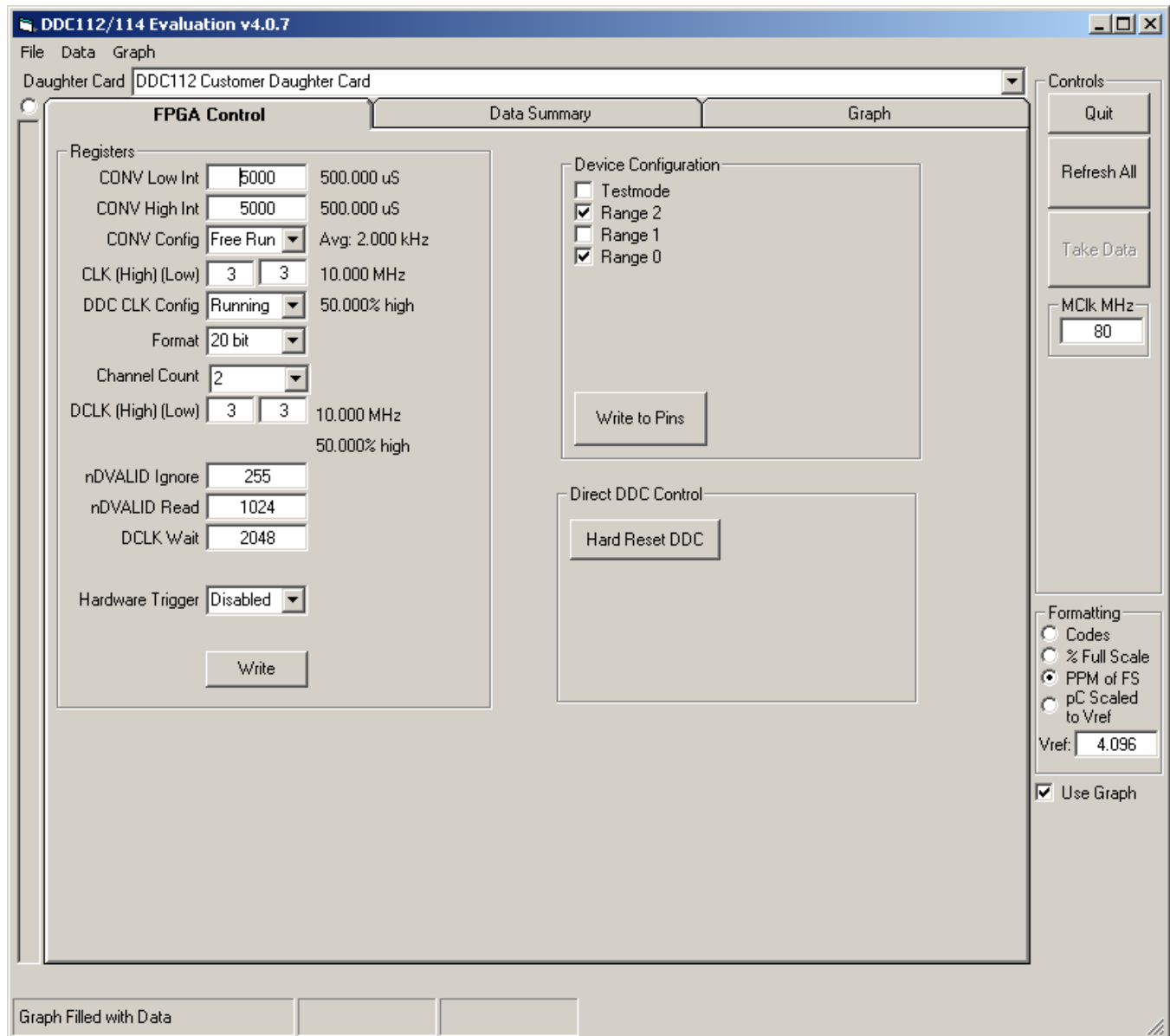
The software installation is now complete. Disconnect power from the DDCMB and proceed to the next section.

### 7.3 Evaluating a DDC11x Device: Quick Start

With power disconnected to the DDCMB, connect one of the daughtercards to the motherboard by directly connecting the 50-pin header of the daughtercard to the 50-pin socket of the DDCMB.

Connect the power supply to the DDCMB (if not connected). To power the daughtercards from the DDCMB, attach jumpers JP1 and JP2 for the DDC112EVM, and JP2 only for the DDC114EVM. If using the DDC112EVM, attach jumpers JP1 and JP2 on the DDCMB to supply power to the DDC112EVM. When not powering the daughtercards from the DDCMB, remove JP1 and JP2 from the DDCMB. The DDC112EVM requires both 3.3V (J7) and 5V (J6) while the DDC114EVM requires 5V only at J2, assuming JP1 and JP2 of the DDC114EVM are connected. Turn on the power supply.

From the Windows **Start** menu, select the *DDC112\_114\_Evaluation* program. The program starts and displays a window as shown in [Figure 20](#).



**Figure 20. Initial Software Screen, FPGA Control Tab**

From the **Daughtercard** drop-down menu at the top of this screen (Figure 21), select the daughtercard that is attached to the DDCMB. The settings shown on the **FPGA Control** tab are populated with the appropriate settings for the device connected.

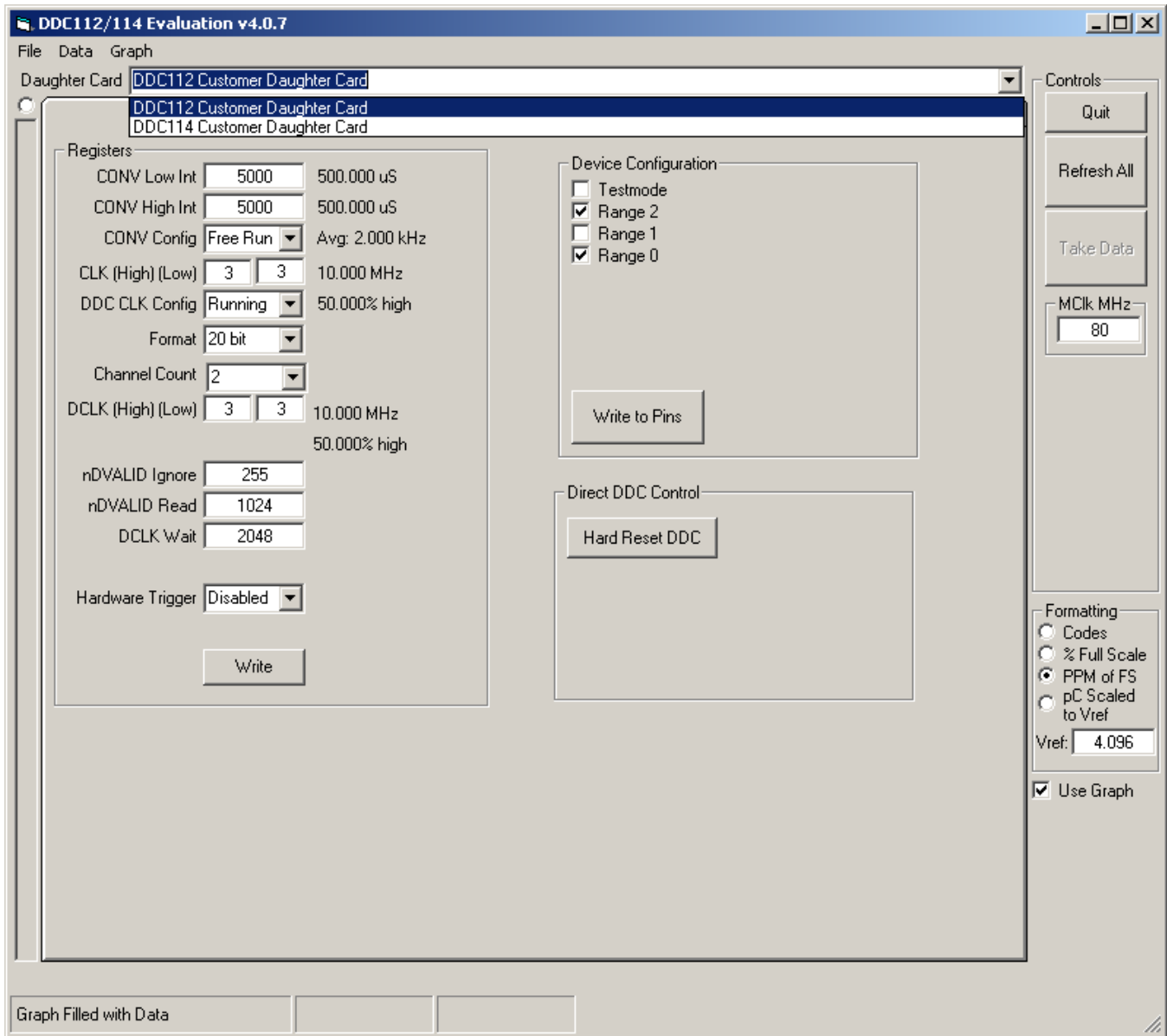


Figure 21. Daughtercard Selection

Next, do a system refresh of the FPGA by clicking on the **Refresh All** button, located in the upper right corner of this screen. This refresh initializes the system to working defaults, and verifies communication with the FPGA. When communication is established, the **Take Data** button is enabled. The software is now ready to receive data from the DDC.

### 7.3.1 Main Window Controls

A number of controls are always visible, regardless of the tab selected in the main tab control.

The **Quit** button causes the program to exit and releases system resources. The **Refresh All** button updates the state of all FPGA registers and pins to those states set in the FPGA control tab. The **Take Data** button causes an acquisition cycle to occur and loads data into the program memory and will update the graph with the data if the **Use Graph** check box is checked.

Data can be displayed in a number of formats, selected with the **Formatting** controls. The options are:

- *Codes*: data are displayed in raw codes or counts
- *% Full Scale*: data are displayed as a percentage of the full scale range
- *PPM of FS*: data are displayed in units of parts per million (PPM) of the full scale range
- *pC Scaled to Vref*: data are displayed in picocoulombs

The reference voltage can be set in the **Vref** text box control. The default value is 4.096V, which corresponds to the reference voltage provided by the onboard voltage references on the DDC daughtercards, but may be adjusted if a different reference voltage is used.

### 7.3.2 Main Window Menus

The Main window has three menus: **File**, **Data**, and **Graph**. This section describes the functions of each menu item.

**File** → *Quit*

This option releases the USB port, closes all windows, and exits the software.

**Data** → *Save Data from Memory*

Collected data can be saved to a standard comma-separated value (CSV) formatted spreadsheet file. No header data are written to the file; only raw data. The columns are written in this order: Channel Name, Reading #, Reading [codes], Range [0-7], Vref [V], # of Bits [16 or 20].

Once a reading is made, the data can be saved to a file using the *Save Data from Memory* menu item. The data can then be analyzed further in Microsoft Excel® or a similar spreadsheet application that can parse data in user-defined CSV format.

**Graph** → *Plot Data on Graph*

If data are loaded into memory but not plotted on the graph (because the **Use Graph** check box is not checked), selecting this menu item plots that data on the graph.

### 7.3.3 FPGA Control Tab

The controls on this tab directly affect the operating mode of the DDC device being tested. This section explains the various fields and buttons that reside on this tab.

#### 7.3.3.1 Registers Group Box

The fields in this box hold all the data that are used by the FPGA to generate the waveforms for the device under test and retrieve data. The following list summarizes of all the fields and the respective functions. Refer to the individual DDC device data sheets for further information on valid clock times and pin functions.

- **CONV Low Int**: This is the number of DDC System Clock Cycles for the CONV signal to remain low during integration. The actual time is listed next to the text box.
- **CONV High Int**: This is the number of DDC System Clock Cycles for the CONV signal to remain high during integration. The actual time is listed next to the text box.
- **CONV CONFIG**: The default value of this control is *Free Run*, and should be used in the data acquisition process. The other options should not be used.
- **CLK (High) (Low)**: This sets the high and low times of the DDC clock. The default value is 3 in both fields, representing the number of clock cycles that CLK will be high and low.
- **DDC CLK CONFIG**: Choose *Running* to enable the DDC clock or *Low* to disable the DDC clock.

- **FORMAT:** Choose how many bits wide the output word is on the DOUT line (16- or 20-bit). This option does not correspond to the FORMAT pin on the DDC114. It only controls the FPGA, and should be left at 20 bits for the DDC112 for proper operation.
- **Channel Count:** Number of channels to read back. Only the 2 or 4 settings are valid for the DDC112 or DDC114.
- **DCLK (High) (Low):** The number of master clock cycles for DCLK to remain low and high during data readback. DCLK can be faster than the DDC System Clock, which is why DCLK is separate and may be much smaller than CLK Count.
- **nDVALID Ignore:** This is the number of nDVALID pulses to ignore, or rather the number of samples to initially discard from the device. Setting this number higher can help negate the effects of settling and give cleaner data from a dead conversion stop.
- **nDVALID Read:** This is the number of nDVALID pulses after which to capture data. The device has two sides to each integrator, so if there is a 4-channel device, 256 nDVALID Reads equate to 128 samples on four channels of both A and B sides.
- **DCLK Wait:** This is the number of master clock cycles to wait after detecting an nDVALID signal. Once a signal is detected, the data are ready; in some applications, however, a delay is helpful in achieving desired results.
- **HARDWARE TRIGGER:** In normal operation, this should be *Disabled*. If *Enabled*, a pulse can be issued on IP\_1 to start a conversion after **Take Data** is pressed. If enabled and no pulse ever comes, the program appears to be frozen. If this condition happens, disable, cancel out the error messages, and refresh.

The **Write** button sends data from the PC to the FPGA, programming the settings in the FPGA to correspond to the settings listed above. When this button is pressed, the data are written and read back. If the data read back equal the data written, the screen appears as normal; however, if the data read back is different than the data set in the fields above, the text in those fields appears in a different color than black (on most systems, it appears in a dark red color).

### 7.3.3.2 Device Configuration Group Box

The controls in this box set the state of device configuration bits on the selected device under test, and correspond to those pins directly.

- **Range[2:0]:** These check boxes correspond to the RANGE pins on the DDC devices, and configure the range that the DDC is in. Checked corresponds to a logic 1; unchecked is a logic 0. '000' is range 0 and '111' is range 7, etc.
- **Format:** (DDC114 only) This configures the format that the DDC114 outputs data. '1' is 20-bit data per channel; '0' is 16-bit data.
- **SPEED:** This configures the Power setting for the DDC114. Unchecked ('0') is low speed and checked ('1') is high speed.
- **Testmode:** This configures the test mode for the DDC. Unchecked ('0') turns TEST mode off, and checked ('1') is TEST mode on. TEST mode disconnects the inputs and should produce an ideal baseline for noise and offset in the system.

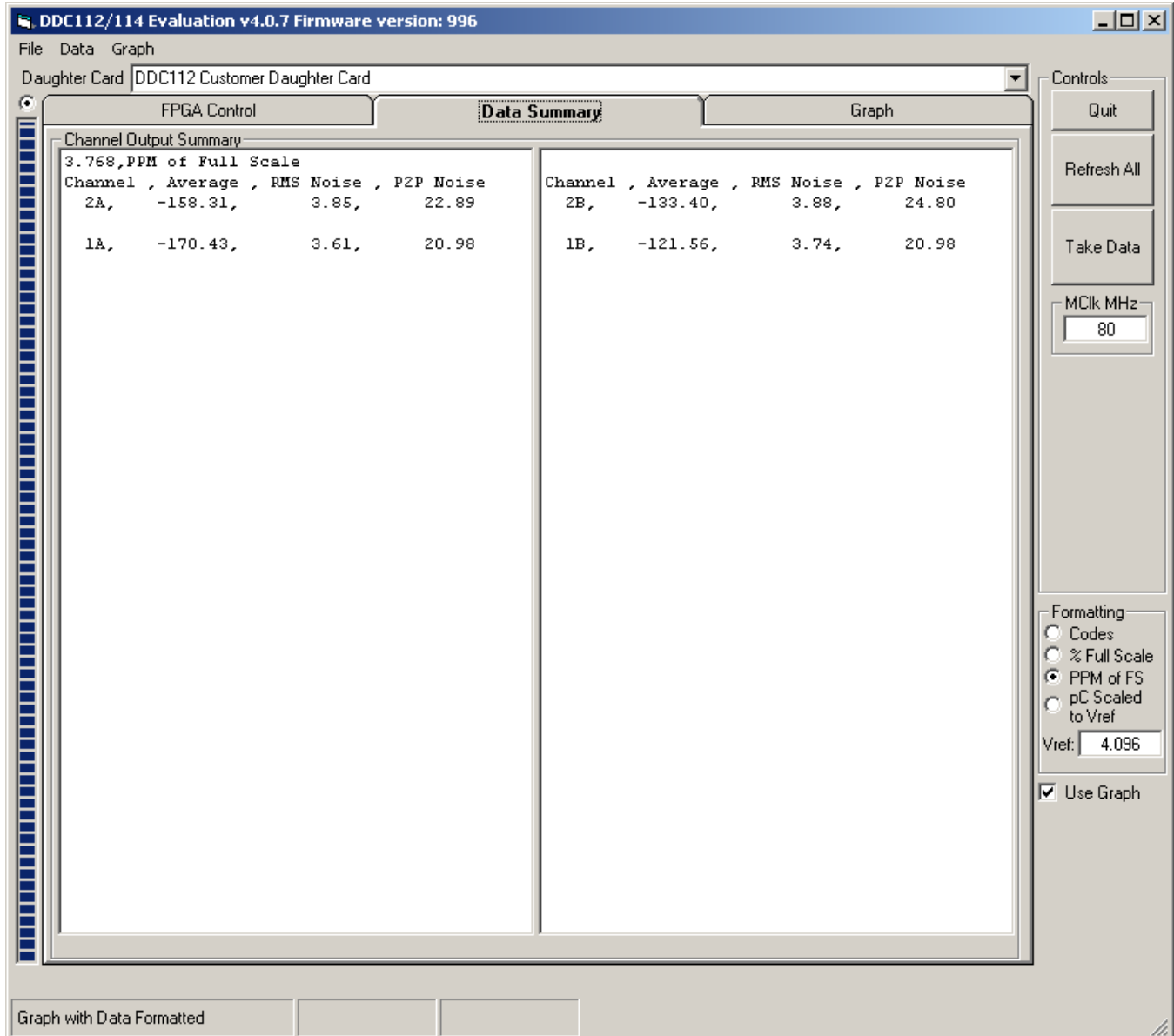
Pressing the **Write to Pins** button sets the corresponding device hardware pins to the states in the checkboxes.

### 7.3.3.3 Direct DDC Control Group Box

The **Hard Reset DDC** button applies an approximately 500ms long pulse to the nRESET pin on the DDC, resetting the device.

### 7.3.4 Data Summary Tab

This tab displays the data in summary form. It displays all the channels, the average value measured by the channels, the RMS noise of the measured data, the peak-to-peak noise of the measured data, and the units that all these measurements are reported in. It also displays the RMS noise of all channels averaged together at the very top left.



**Figure 22. Data Summary Tab**

The format that the data are displayed in is controlled by the formatting options set in the main window **Formatting** controls.

### 7.3.5 Graph Tab

The graph tab displays a graph of data versus sample acquired. It always displays the readings in codes, regardless of the **Formatting** settings. The channel to display is selected using the **Channel** combo box on the bottom of the graph.

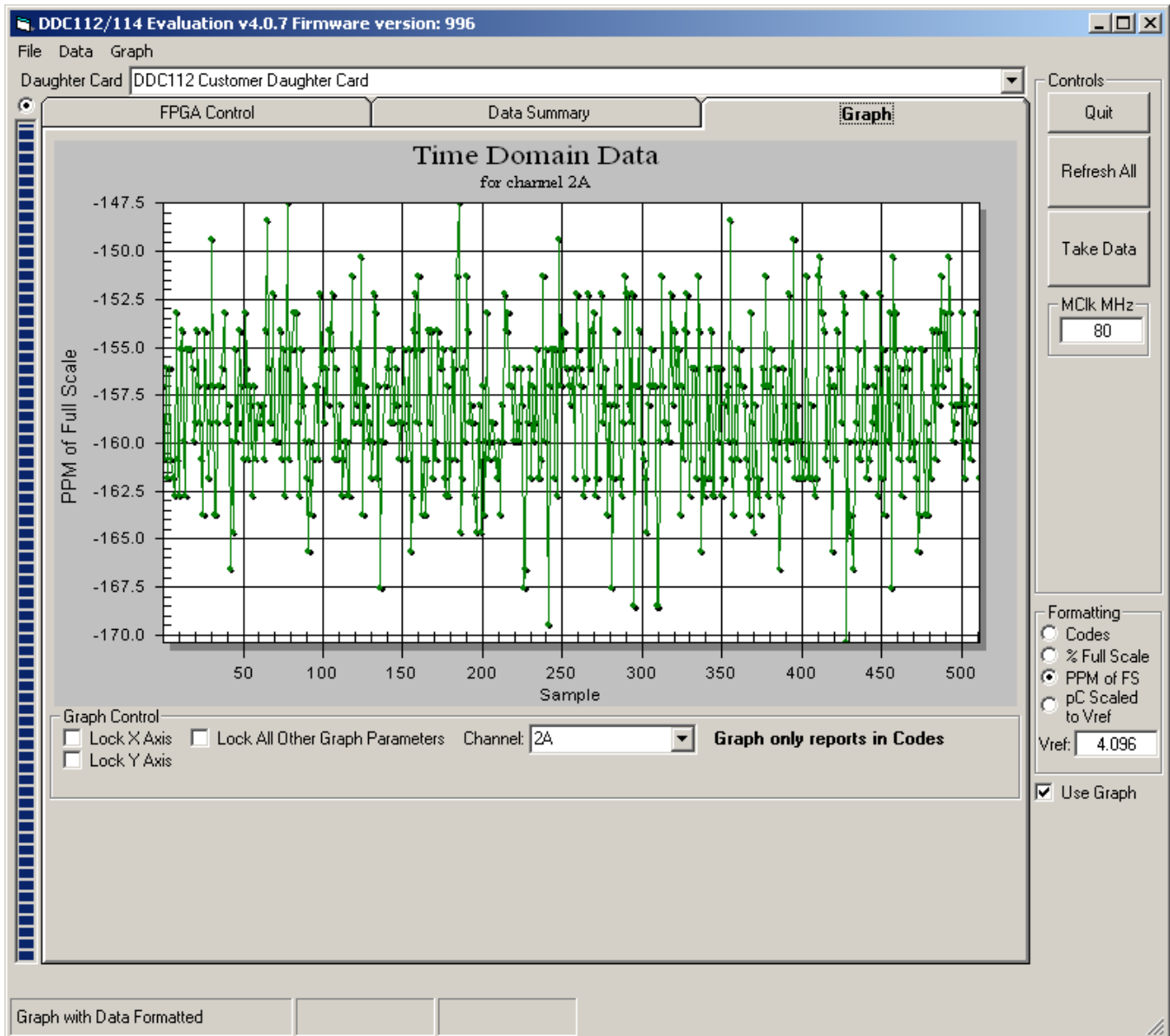


Figure 23. Graph Tab

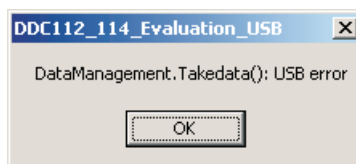
Left-clicking and dragging a box zooms in to the selected section of the graph.

Right-clicking on the graph brings up limited zoom, format, print, and display features.

The graph zoom features can be disabled or locked using the **Lock X-axis**, **Lock Y-axis**, and **Lock All Other Graph Parameters** check boxes. These controls might be used to make it easier to zoom only horizontally or vertically without inadvertently changing the other axis.

## 7.4 Troubleshooting

1. If you see a dialog box as shown in [Figure 24](#), or an error message seen on main window status bar saying *Error Writing Registers*, this message indicates that the DDCMB is either not connected via USB or has not been properly detected by the system. Verify that the USB connection is good, or press the RESET\_USB (S1) button on the DDCMB to allow communication to be established.



**Figure 24. USB Error Notification Dialog**



## 8 Schematics and Layout

Full-size schematics for the DDC112EVM, DDC114EVM, and DDCMB boards are appended to this user's guide. The bills of material for each board are provided in [Section 8.1](#).

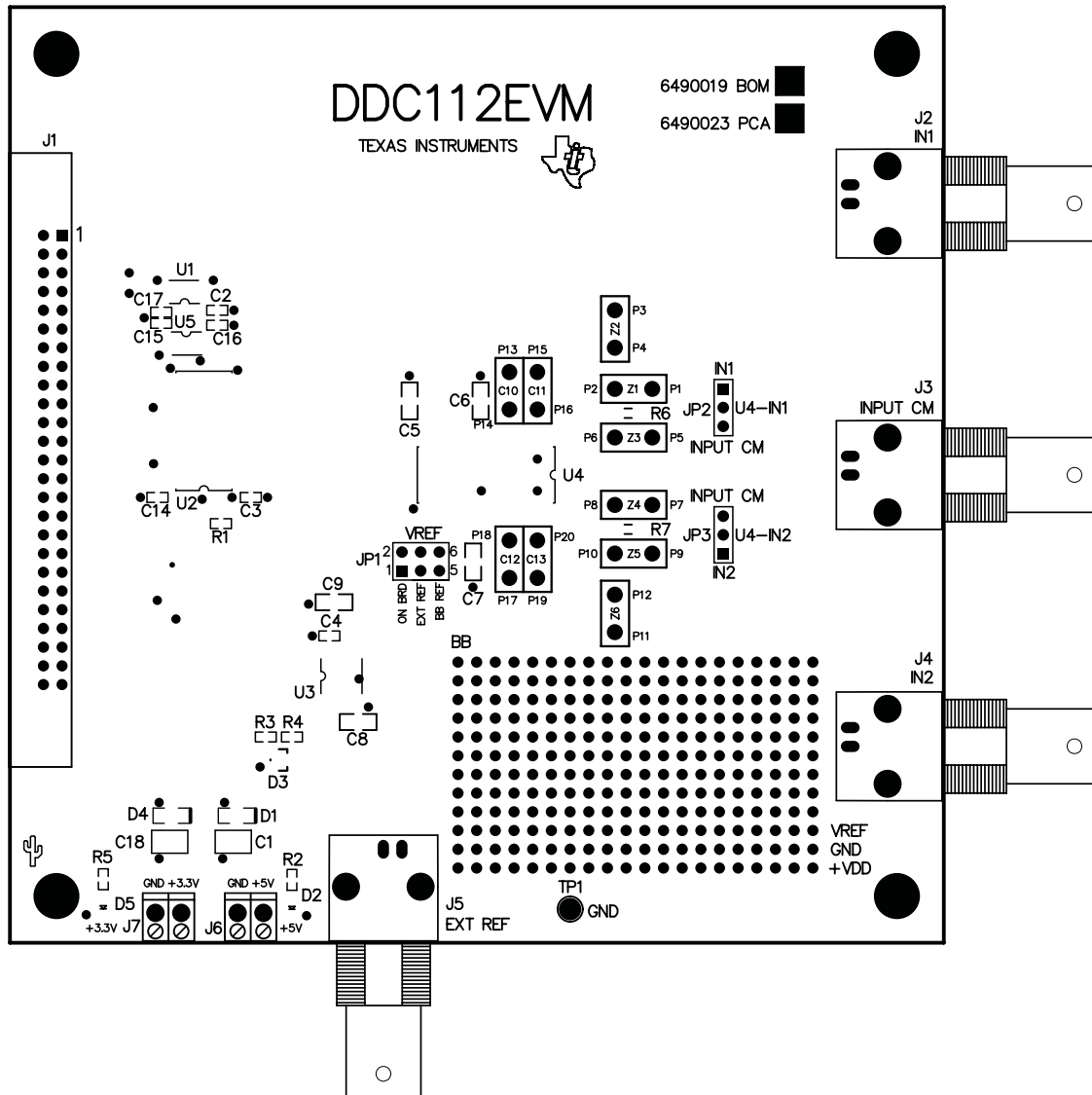


Figure 25. Silkscreen for DDC112EVM DUT Board

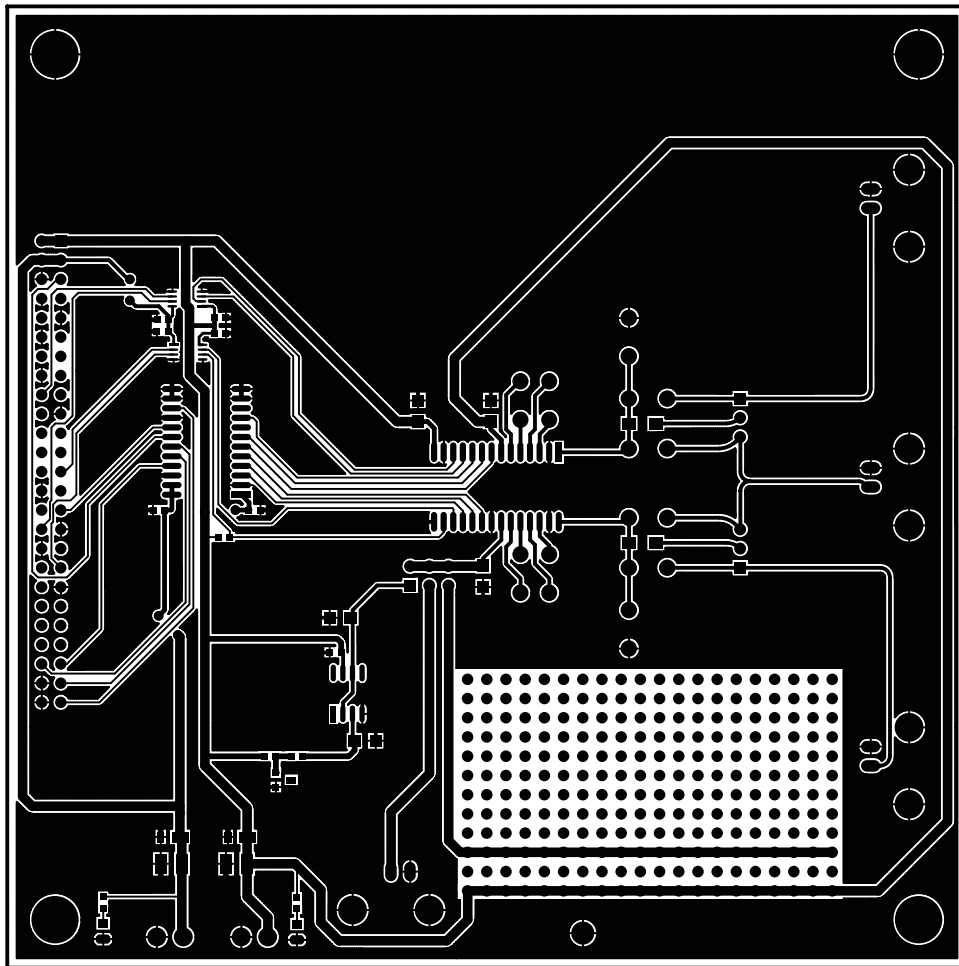


Figure 26. Top Layer of DDC112EVM DUT Board

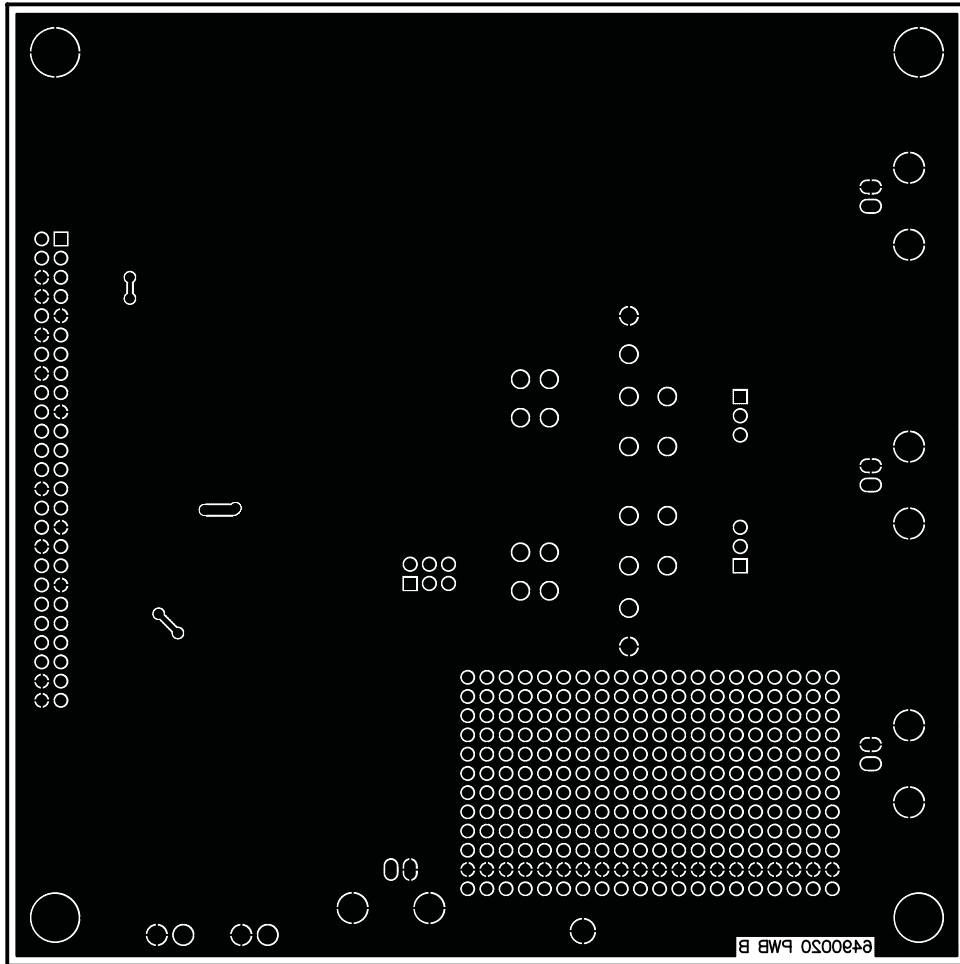


Figure 27. Bottom Layer of DDC112EVM DUT Board

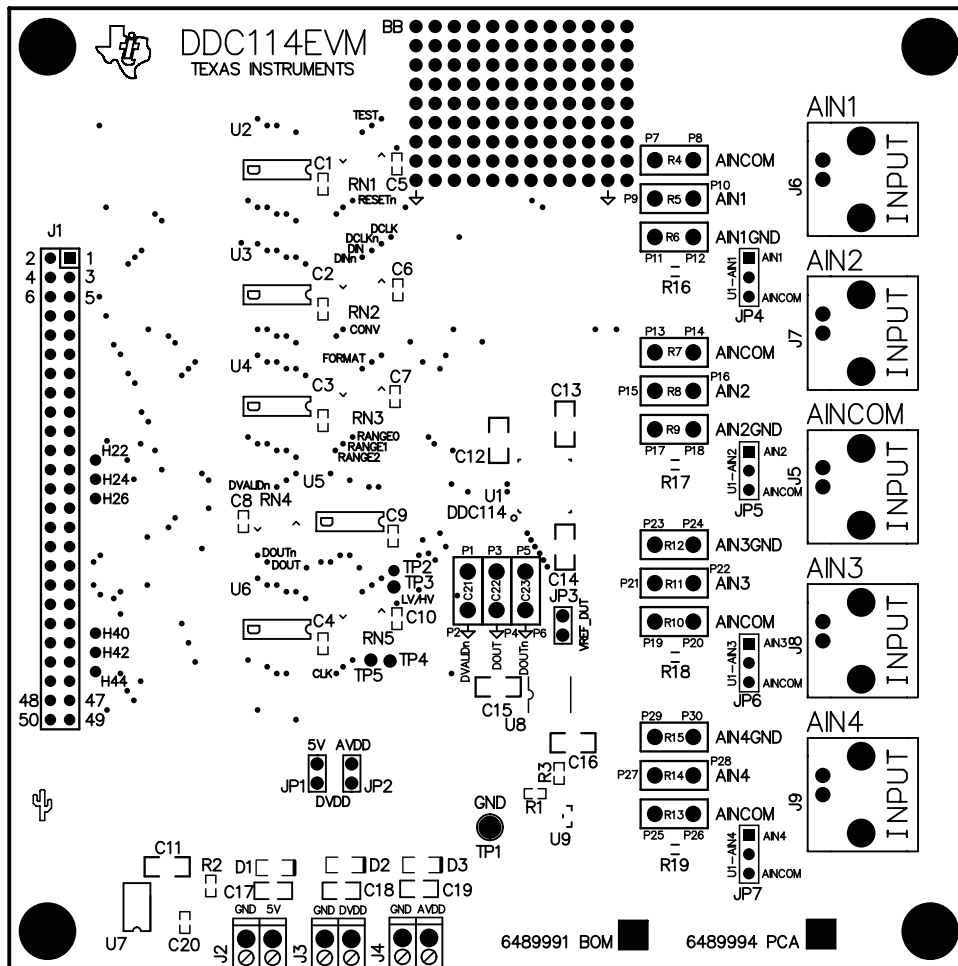
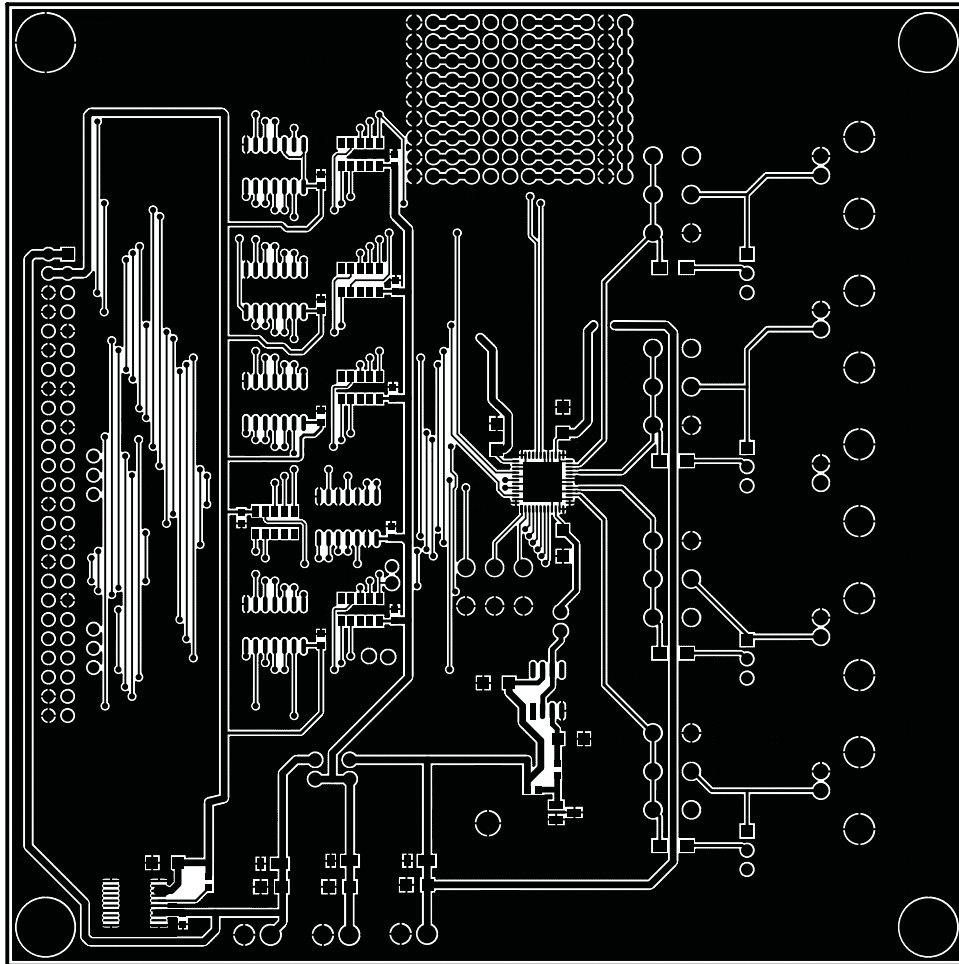


Figure 28. Silkscreen for DDC114EVM DUT Board



**Figure 29. Top Layer of DDC114EVM DUT Board**

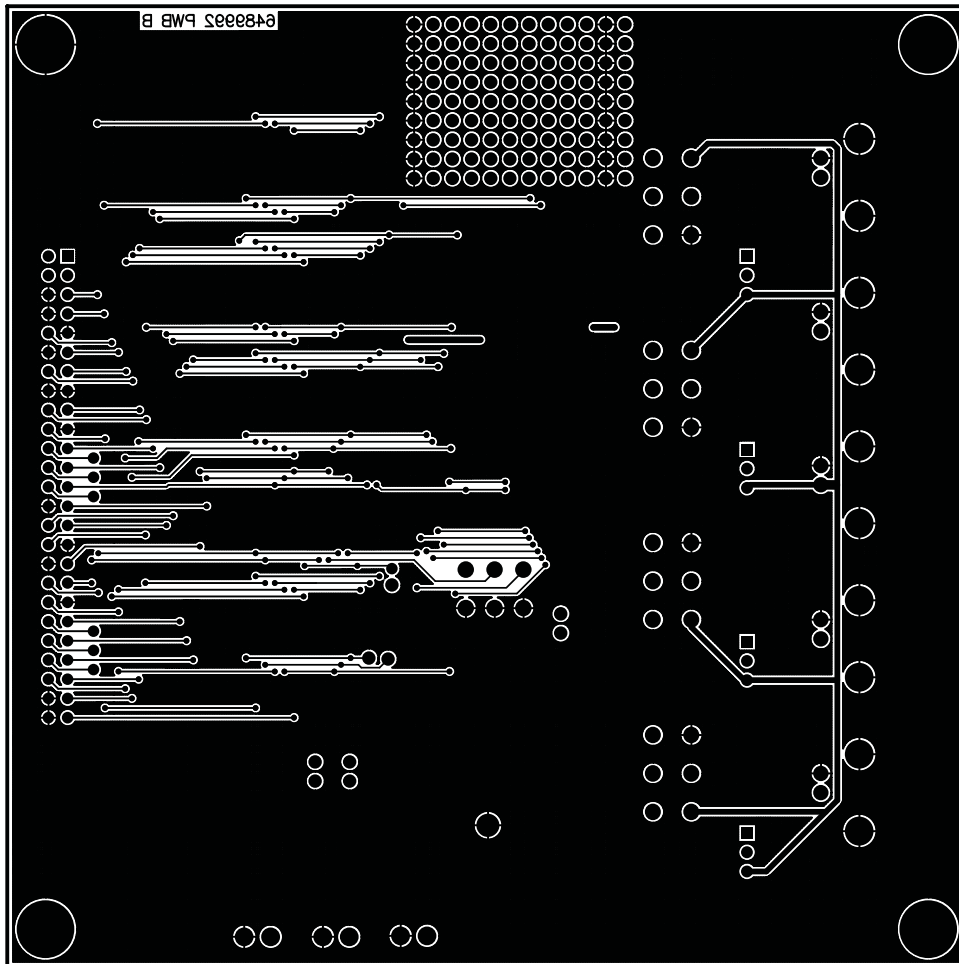


Figure 30. Bottom Layer of DDC114EVM DUT Board

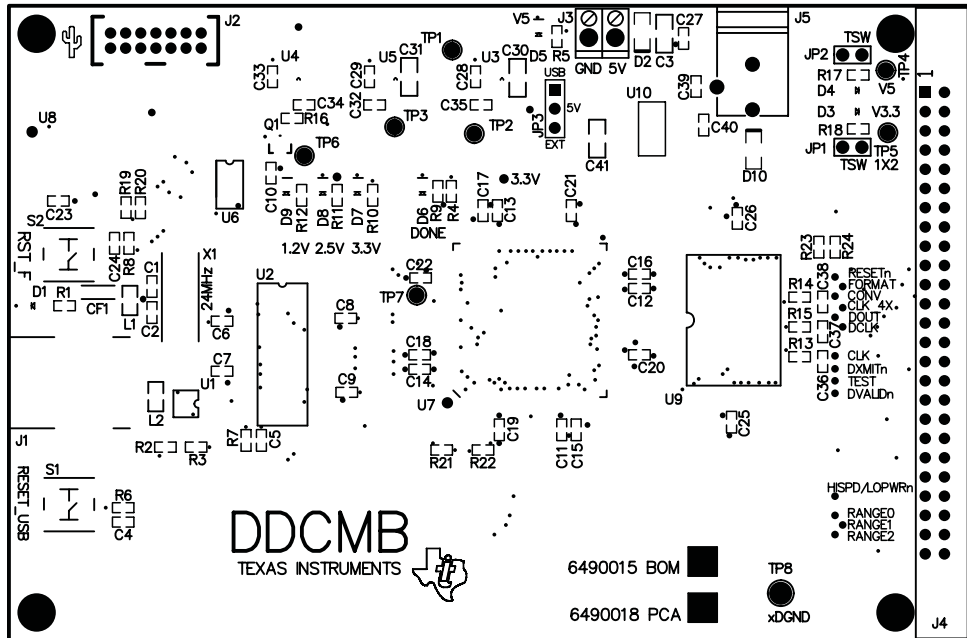


Figure 31. Silkscreen of DDCMB Motherboard

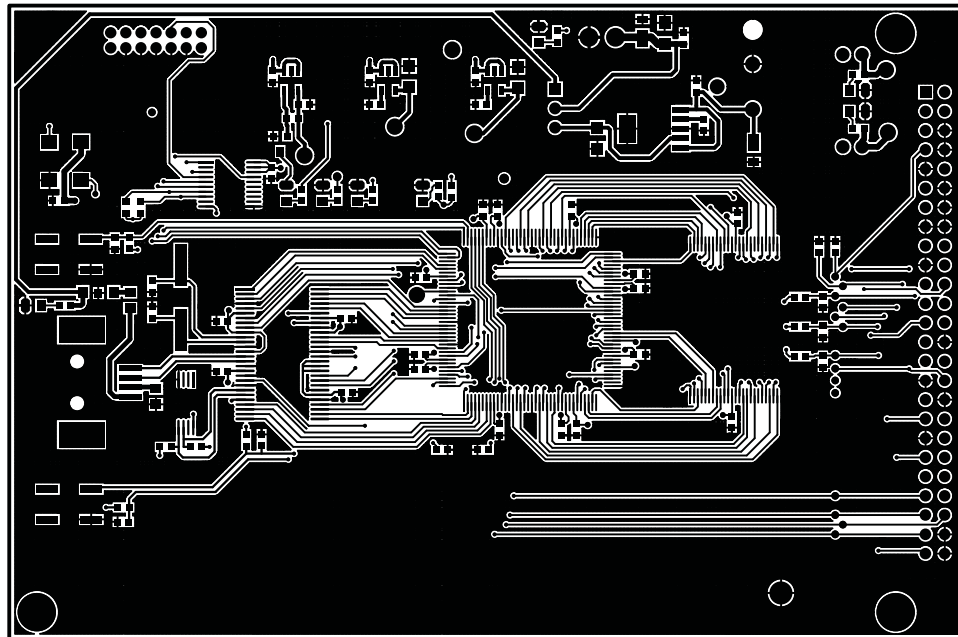


Figure 32. Top Layer of DDCMB Motherboard

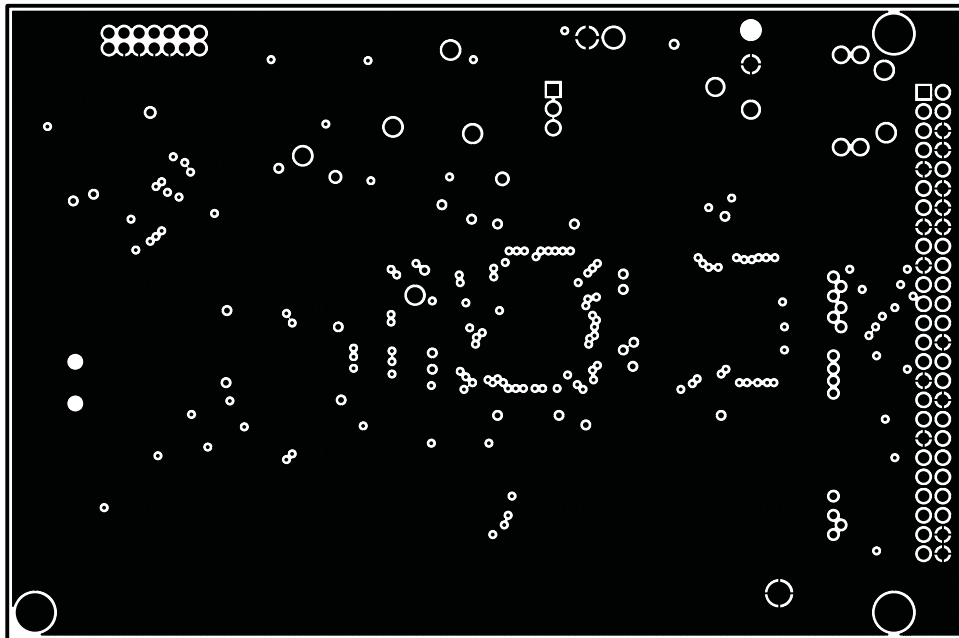


Figure 33. Mid Layer 1 of DDCMB Motherboard

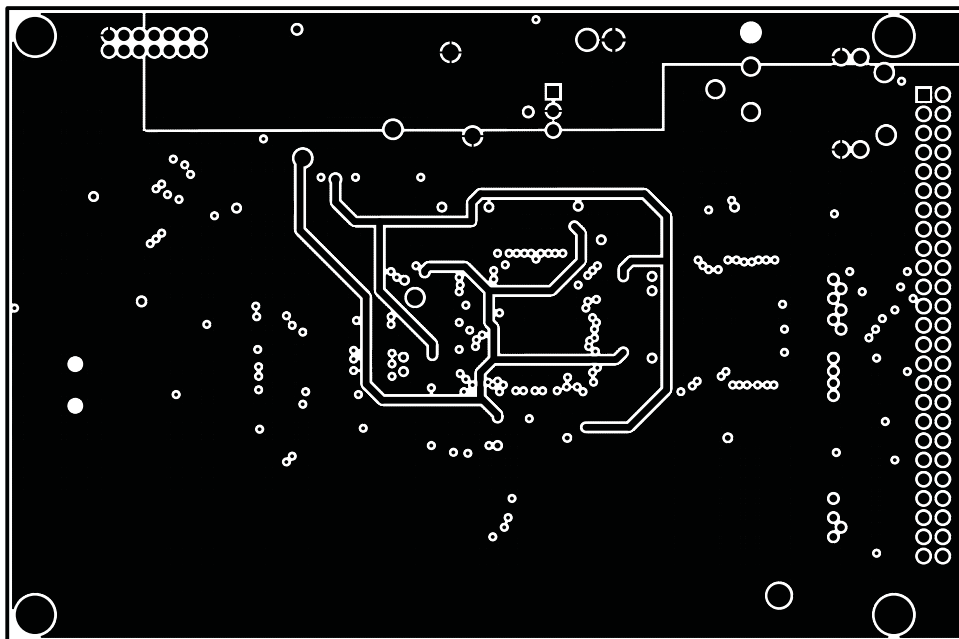


Figure 34. Mid Layer 2 of DDCMB Motherboard



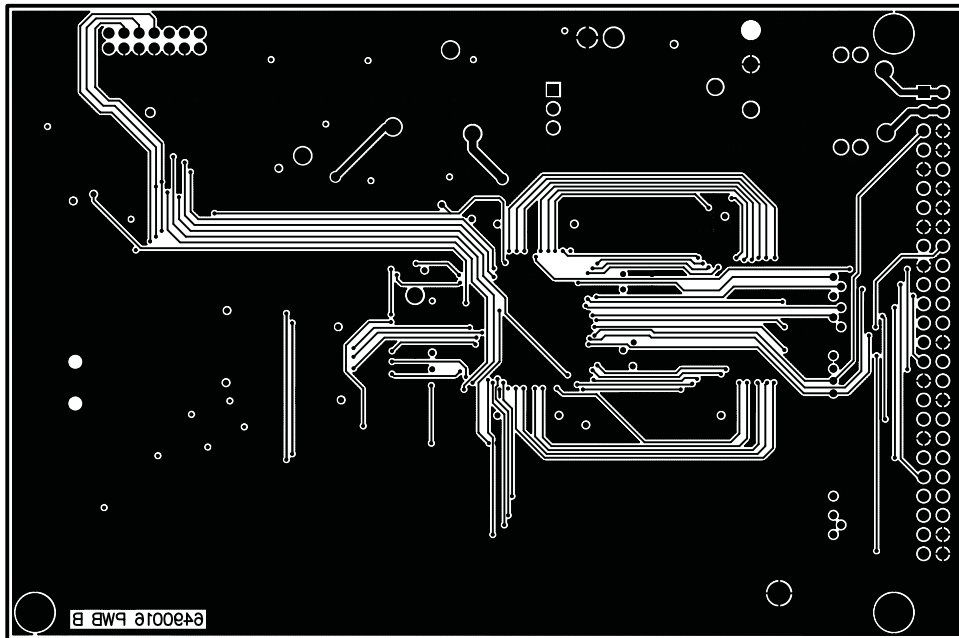


Figure 35. Bottom Layer of DDCMB Motherboard

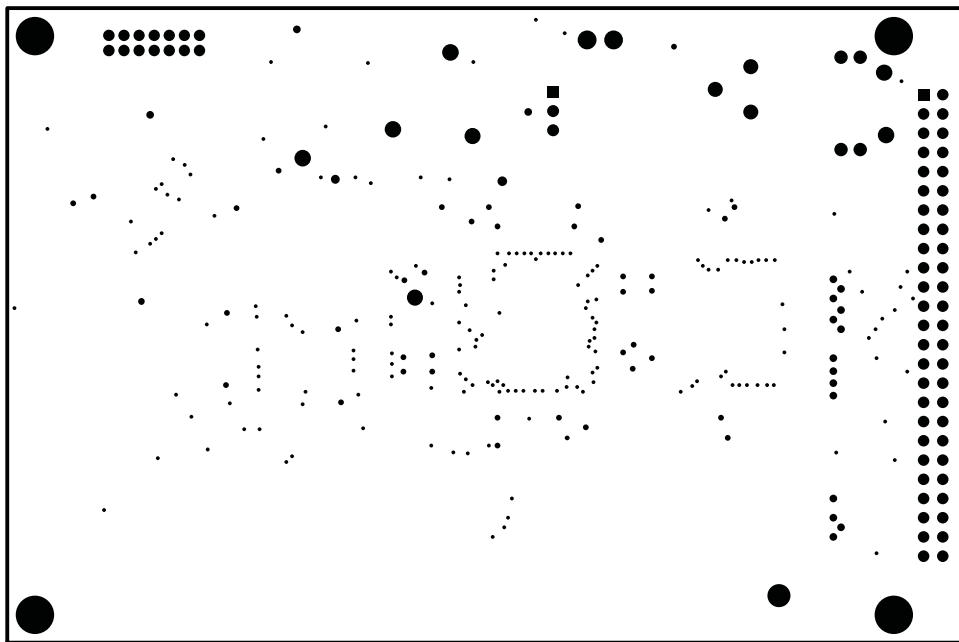


Figure 36. Bottom Silkscreen of DDCMB Motherboard

## 8.1 Bills of Material

**NOTE:** All components should be RoHS compliant. Some part numbers may be either leaded or RoHS. Verify that purchased components are RoHS compliant.

**Table 6. DDC112EVM Bill of Materials**

| Item No. | Qty | Value          | Ref Designator                 | Description   | Vendor                   | Part Number        |
|----------|-----|----------------|--------------------------------|---|--------------------------|--------------------|
| 1        | 4   | 270pF          | C10, C11, C12, C13             | Capacitor, 50V ceramic radial, $\pm 5\%$ , COG                | Vishay/BC Components     | K271J15C0GF5TL2    |
| 2        | 7   | 0.1 $\mu$ F    | C2, C3, C4, C14, C15, C16, C17 | Ceramic chip capacitor, 0.1 $\mu$ F 50V $\pm 10\%$ , X7R 0603 | Murata                   | GRM188R71H104KA93D |
| 3        | 5   | 10 $\mu$ F     | C5, C6, C7, C8, C9             | Ceramic chip capacitor, 10 $\mu$ F 10V $\pm 10\%$ , X7R 1206  | Murata                   | GRM31CR71A106KA01L |
| 4        | 2   | 22 $\mu$ F     | C1, C18                        | Ceramic chip capacitor, 22 $\mu$ F 10V $\pm 10\%$ , X7R 1210  | Murata                   | GRM32ER71A226KE20L |
| 5        | 2   |                | D1, D4                         | Diode, Schottky, 40V, 3A, SMD                                 | Diodes Inc.              | SBR3U40P1-7        |
| 6        | 1   |                | D3                             | Precision micropower shunt voltage reference, 4.1V            | Texas Instruments        | LM4040A41IDBZR     |
| 7        | 2   |                | D2, D5                         | LED Thin 565NM green diffused 0805 SMD                        | Lumex                    | SML-LXT0805GW-TR   |
| 8        | 1   |                | J1                             | Connector, R/A dual row 50-pin shrouded header                | Samtec                   | TSS-125-04-L-D-RA  |
| 9        | 4   |                | J2, J3, J4, J5                 | BNC connector, female, RA, 50 $\Omega$ , PCB                  | Tyco/AMP                 | 5227161-2          |
| 10       | 2   |                | J6, J7                         | Screw terminal block, 3.5mm, 2-position PCB                   | On Shore Technology Inc. | ED555/2DS          |
| 11       | 1   |                | JP1                            | Terminal strip, 3-pin (3x2)                                   | Samtec                   | TSW-103-07-G-D     |
| 12       | 2   |                | JP2, JP3                       | Terminal strip, 3-pin (3x1)                                   | Samtec                   | TSW-103-07-G-S     |
| 13       | 8   |                | P13-P20                        | Socket receptacle, 0.014-0.026, 30AU                          | Tyco/AMP                 | 5050863-5          |
| 14       | 0   | —              | P1-P12                         | Not Installed   |                          |                    |
| 15       | 1   | 200 $\Omega$   | R5                             | Resistor 200 $\Omega$ , 1/10W 1% 0603 SMD                     | Panasonic                | ERJ-3EKF2000V      |
| 16       | 1   | 402 $\Omega$   | R2                             | Resistor 402 $\Omega$ , 1/10W 1% 0603 SMD                     | Panasonic                | ERJ-3EKF4020V      |
| 17       | 1   | 4.99k $\Omega$ | R3                             | Resistor 4.99k $\Omega$ , 1/10W 1% 0603 SMD                   | Panasonic                | ERJ-3EKF4991V      |
| 18       | 1   | 10k $\Omega$   | R4                             | Resistor 10k $\Omega$ , 1/10W 1% 0603 SMD                     | Panasonic                | ERJ-3EKF1002V      |
| 19       | 1   | 100k $\Omega$  | R1                             | Resistor 100k $\Omega$ , 1/10W 1% 0603 SMD                    | Panasonic                | ERJ-3EKF1003V      |
| 20       | 2   | 10M $\Omega$   | R6, R7                         | Resistor 10M $\Omega$ , 1/4W 1% MELF SMD                      | Vishay/BC Components     | 2312 155 11006     |
| 21       | 0   | —              | Z1, Z2, Z3, Z4, Z5, Z6         | Not Installed   |                          |                    |
| 22       | 1   |                | TP1                            | Testpoint, Multi-purpose, black, through-Hole                 | Keystone Electronics     | 5011               |
| 23       | 2   |                | U1, U5                         | 2-bit Transceiver, noninverting                               | Texas Instruments        | SN74LVC2T45DCTR    |
| 24       | 1   |                | U2                             | 8-bit Transceiver, noninverting                               | Texas Instruments        | SN74LVC4245ADWR    |
| 25       | 1   |                | U3                             | Op-amp, precision, rail-to-rail                               | Texas Instruments        | OPA350UA           |
| 26       | 1   |                | U4                             | Dual current input, 20-bit analog-to-digital converter        | Texas Instruments        | DDC112U            |
| 27       | 1   |                | N/A                            | DDC112 EVM PWB  | Texas Instruments        | 6490020            |
| 28       | 2   |                | N/A                            | DDC112 EVM shield PWB   | Texas Instruments        | 6490021            |
| 29       | 4   |                | N/A                            | 1/4", Hex spacer, 6-32 thread                                 | Keystone Electronics     | 2208               |
| 30       | 2   |                | N/A                            | 3/4", Hex spacer, 6-32 thread                                 | Keystone Electronics     | 2211               |
| 31       | 2   |                | N/A                            | 3/4", Hinged spacer, 6-32 thread                              | Keystone Electronics     | 353                |
| 32       | 2   |                | N/A                            | 1/4", Machine screw, Phillips head, 6-32 thread               | B&F Fastener Supply      | PMSSS 632 0025 PH  |
| 33       | 4   |                | N/A                            | 1/2", Machine screw, Phillips head, 6-32 thread               | B&F Fastener Supply      | PMSSS 632 0050 PH  |
| 34       | 3   |                | N/A                            | Shorting blocks   | Samtec                   | SNT-100-BK-G-H     |

**Table 7. DDC114EVM Bill of Materials**

| Item No. | Qty | Value          | Ref Designator                                       | Description  | Vendor                   | Part Number        |
|----------|-----|----------------|--|--|--------------------------|--------------------|
| 1        | 10  | 0.1 $\mu$ F    | C1, C2, C3, C4, C5, C6, C7, C8, C9, C10              | Ceramic chip capacitor, 0.1 $\mu$ F 50V $\pm$ 10%, X7R 0603  | Murata                   | GRM188R71H104KA93D |
| 2        | 1   | 0.33 $\mu$ F   | C20  | Ceramic chip capacitor, 0.33 $\mu$ F 16V $\pm$ 10%, X7R 0603 | Murata                   | GRM188R71C334KA01D |
| 3        | 8   | 10 $\mu$ F     | C12, C13, C14, C15, C16, C17, C18, C19               | Ceramic chip capacitor, 10 $\mu$ F 10V $\pm$ 10%, X7R 1206   | Murata                   | GRM31CR71A106KA01L |
| 4        | 1   | 47 $\mu$ F     | C11  | Ceramic chip capacitor, 47 $\mu$ F 6.3V $\pm$ 20%, X5R 1206  | Murata                   | GRM31CR60J476ME19L |
| 5        | —   |                | C21, C22, C23  | Not Installed  |                          |                    |
| 6        | 3   |                | D1, D2, D3   | Diode, Schottky, 40V, 3A, SMD                                | Diodes Inc.              | SBR3U40P1-7        |
| 7        | 1   |                | J1   | Connector, R/A dual row 50-pin shrouded header               | Samtec                   | TSS-125-04-L-D-RA  |
| 8        | 5   |                | J5, J6, J7, J8, J9                                   | BNC connector, female, RA, 50 $\Omega$ , PCB                 | Tyco/AMP                 | 5227161-2          |
| 9        | 3   |                | J2, J3, J4   | Screw terminal block, 3.5mm 2-position PCB                   | On Shore Technology Inc. | ED555/2DS          |
| 10       | 3   |                | JP1, JP2, JP3  | Terminal strip, 2-pin (1x2)                                  | Samtec                   | TSW-102-07-G-S     |
| 11       | 4   |                | JP4, JP5, JP6, JP7                                   | Terminal strip, 3-pin (1x3)                                  | Samtec                   | TSW-103-07-G-S     |
| 12       | —   |                | P1-P30   | Socket receptacle, 0.014-0.026, 30AU—Not Installed           |                          |                    |
| 13       | 1   | 6.49k $\Omega$ | R1   | Resistor 6.49k $\Omega$ , 1/10W 1% 0603 SMD                  | Panasonic                | ERJ-3EKF6491V      |
| 14       | 2   | 10k $\Omega$   | R2, R3   | Resistor 10k $\Omega$ , 1/10W 1% 0603 SMD                    | Panasonic                | ERJ-3EKF1002V      |
| 15       | 4   | 10M $\Omega$   | R16, R17, R18, R19                                   | Resistor 10M $\Omega$ , 1/4W 1% MELF SMD                     | Vishay/BC Components     | 2312 155 11006     |
| 16       | —   |                | R4, R5, R6, R7, R8, R9, R10, R11, R12, R13, R14, R15 | Not Installed  |                          |                    |
| 17       | 1   | 330 $\Omega$   | RN4  | Resistor Array 330 $\Omega$ , 10-terminal bussed SMD         | CTS Resistor Products    | 745C101331JPTR     |
| 18       | 4   | 1k $\Omega$    | RN1, RN2, RN3, RN5                                   | Resistor Array 1k $\Omega$ , 10-terminal bussed SMD          | CTS Resistor Products    | 745C101102JPTR     |
| 19       | 1   |                | TP1  | Testpoint, multi-purpose, black, through-hole                | Keystone Electronics     | 5011               |
| 20       | —   |                | TP2, TP3, TP4, TP5                                   | Not Installed  |                          |                    |
| 21       | 1   |                | U1   | 20-bit quad input ADC, 48-QFN                                | Texas Instruments        | DDC114IRTCT        |
| 22       | 5   |                | U2-U6  | Hex buffer/driver w/open drain                               | Texas Instruments        | SN74LVC07AD        |
| 23       | 1   |                | U7   | 3.3V 2A LDO regulator 20-HTSSOP                              | Texas Instruments        | TPS75233QPWP       |
| 24       | 1   |                | U8   | Op-amp, precision, rail-to-rail                              | Texas Instruments        | OPA350UA           |
| 25       | 1   |                | U9   | Precision micropower shunt voltage reference, 4.1V           | Texas Instruments        | LM4040A41IDBZR     |
| 26       | 1   |                | N/A  | DDC114VM PWB   | Texas Instruments        | 6489992            |
| 27       | 2   |                | N/A  | DDC114EVM-Shield PWB   | Texas Instruments        | 6489997            |
| 28       | 4   |                | N/A  | 1/4", Hex spacer, 6-32 thread                                | Keystone Electronics     | 2208               |
| 29       | 2   |                | N/A  | 3/4", Hex spacer, 6-32 thread                                | Keystone Electronics     | 2211               |
| 30       | 2   |                | N/A  | 3/4", Hinged spacer, 6-32 thread                             | Keystone Electronics     | 353                |
| 31       | 2   |                | N/A  | 1/4", Machine screw, Phillips head, 6-32 thread              | B&F Fastener Supply      | PMSSS 632 0025 PH  |
| 32       | 4   |                | N/A  | 1/2", Machine screw, Phillips head, 6-32 thread              | B&F Fastener Supply      | PMSSS 632 0050 PH  |
| 33       | 7   |                | N/A  | Shorting block   | Samtec                   | SNT-100-BK-G-H     |

**Table 8. DDCMB Bill of Materials**

| Item No. | Qty | Value     | Ref Designator                    | Description                                   | Vendor               | Part Number           |
|----------|-----|-----------|-----------------------------------|---|----------------------|-----------------------|
| 1        | 2   | 10pF      | C1, C2                            | 50V Ceramic chip capacitor, ±5%, C0G, 0603    | Murata               | GRM1885C1H100JA01D    |
| 2        | 3   | 47pF      | C36, C37, C38                     | 50V Ceramic chip capacitor, ±5%, C0G, 0603    | Murata               | GRM1885C1H470JA01D    |
| 3        | 3   | 0.01µF    | C32, C35, C40                     | 50V Ceramic chip capacitor, ±10%, X7R, 0603   | Murata               | GRM188R71H103MA01D    |
| 4        | 25  | 0.1µF     | C4-C27, C39                       | 50V Ceramic chip capacitor, ±10%, X7R, 0603   | Murata               | GRM188R71H104KA93D    |
| 5        | 2   | 0.33µF    | C28, C29                          | 16V Ceramic chip capacitor, ±10%, X7R, 0603   | Murata               | GRM188R71C334KA01D    |
| 6        | 2   | 1µF       | C33, C34                          | 16V Ceramic chip capacitor, ±10%, X7R, 0603   | Murata               | GRM188R71C105KA12D    |
| 7        | 4   | 10µF      | C3, C30, C31, C41                 | 16V Ceramic chip capacitor, ±10%, X5R, 1206   | Murata               | GRM31CR61C106KC31L    |
| 8        | 1   |           | CF1                               | 50V, 2200pF EMI filter, SMD                   | Panasonic            | EXC-CET222U           |
| 9        | 8   |           | D1, D3, D4, D5, D6, D7, D8, D9    | LED green, SMD 0805                           | Lumex                | SML-LXT0805GW-TR      |
| 10       | 2   |           | D2, D10                           | Diode, Schottky, 40V, 3A, SMD                 | Diodes Inc.          | SBR3U40P1-7           |
| 11       | 1   |           | J1                                | Connector, USB type B, PCB                    | KobiConn             | 154-UBR44-E           |
| 12       | 1   |           | J2                                | Header, 14-position, 2mm, Vvertical           | Molex                | 87831-1420            |
| 13       | 1   |           | J3                                | Terminal block, 3.5mm, 2-position             | On Shore Technology  | ED555/2DS             |
| 14       | 1   |           | J4                                | Connector, R/A dual row 50-pin socket         | Samtec               | SSW-125-02-F-D-RA     |
| 15       | 1   |           | J5                                | 2.5mm Power connector                         | CUI Stack            | PJ-102BH              |
| 16       | 2   |           | JP1, JP2                          | 1 X 2 header                                  | Samtec               | TSW-102-07-G-S        |
| 17       | 1   |           | JP3                               | 1 X 3 header                                  | Samtec               | TSW-103-07-G-S        |
| 18       | 2   |           | L1, L2                            | Ferrite bead core, 0805                       | Panasonic            | EXC-ML20A390U         |
| 19       | 1   |           | Q1                                | MOSFET N-channel 30V 2.2A SOT-23-3            | Fairchild            | FDN337N               |
| 20       | 3   | 33Ω       | R13, R14, R15                     | 1/10W 5% chip resistor SMD, 0603              | Panasonic            | ERJ-3GEYJ330V         |
| 21       | 1   | 100Ω      | R11                               | 1/10W 1% chip resistor SMD, 0603              | Panasonic            | ERJ-3EKF1000V         |
| 22       | 2   | 200Ω      | R10, R18                          | 1/10W 1% chip resistor SMD, 0603              | Panasonic            | ERJ-3EKF2000V         |
| 23       | 3   | 402Ω      | R5, R12, R17                      | 1/10W 1% chip resistor SMD, 0603              | Panasonic            | ERJ-3EKF4020V         |
| 24       | 2   | 499Ω      | R4, R9                            | 1/10W 1% chip resistor SMD, 0603              | Panasonic            | ERJ-3EKF4990V         |
| 25       | 1   | 511Ω      | R1                                | 1/10W 1% chip resistor SMD, 0603              | Panasonic            | ERJ-3EKF5110V         |
| 26       | 2   | 2.21kΩ    | R2, R3                            | 1/10W 1% chip resistor SMD, 0603              | Panasonic            | ERJ-3EKF2211V         |
| 27       | 2   | 4.99kΩ    | R19, R20                          | 1/10W 1% chip resistor SMD, 0603              | Panasonic            | ERJ-3EKF4991V         |
| 28       | 1   | 10kΩ      | R16                               | 1/10W 5% chip resistor SMD, 0603              | Panasonic            | ERJ-3GEYJ103V         |
| 29       | 4   | 47kΩ      | R21, R22, R23, R24                | 1/10W 5% chip resistor SMD, 0603              | Panasonic            | ERJ-3GEYJ473V         |
| 30       | 3   | 100kΩ     | R6, R7, R8                        | 1/10W 5% chip resistor SMD, 0603              | Panasonic            | ERJ-3GEYJ104V         |
| 31       | 2   |           | S1, S2                            | Momentary tactile switch, 6.2mm, 160gf        | C K                  | KSC222J LFS           |
| 32       | 1   |           | U1                                | 5V, Serial EEPROM 128 bit, TSSOP              | Microchip            | 24LC00-I/ST           |
| 33       | 1   |           | U2                                | USB Hi-speed periperal IC MCU                 | Cypress              | CY7C68013A-56PVXC     |
| 34       | 1   |           | U3                                | 3.3V, 400mA LDO regulator                     | Texas Instruments    | REG113NA-3.3          |
| 35       | 1   |           | U4                                | 1.2V, 120mA LDO regulator                     | Texas Instruments    | SN105125DBVR          |
| 36       | 1   |           | U5                                | 2.5V, 400mA LDO regulator                     | Texas Instruments    | REG113NA-2.5          |
| 37       | 1   |           | U6                                | 3.3V PROM                                     | Xilinx               | XCF04SVOG20C          |
| 38       | 1   |           | U7                                | FPGA, Spartan 3E                              | Xilinx               | XC3S250E-4TQG144C     |
| 39       | 1   | 80.0MHz   | U8                                | 3.3V Oscillator, ±50ppm, SMD                  | Connor-Winfield      | CWX823-80.0M          |
| 40       | 1   |           | U9                                | 16MB SRAM IC ASYNC                            | ISSI                 | IS61WV102416BLL-10TLI |
| 41       | 1   |           | U10                               | 5V, 800mA LDO regulator                       | Texas Instruments    | REG104GA-5            |
| 42       | —   |           | TP1, TP2, TP3, TP4, TP5, TP6, TP7 | Not Installed                                 |                      |                       |
| 43       | 1   |           | TP8                               | Testpoint, multi-purpose, black, through-hole | Keystone Electronics | 5011                  |
| 44       | 1   | 24.000MHz | X1                                | Crystal, 18pF, HC49/US SMD                    | Citizen              | HCM49 24.000MABJ-UT   |

**Table 8. DDCMB Bill of Materials (continued)**

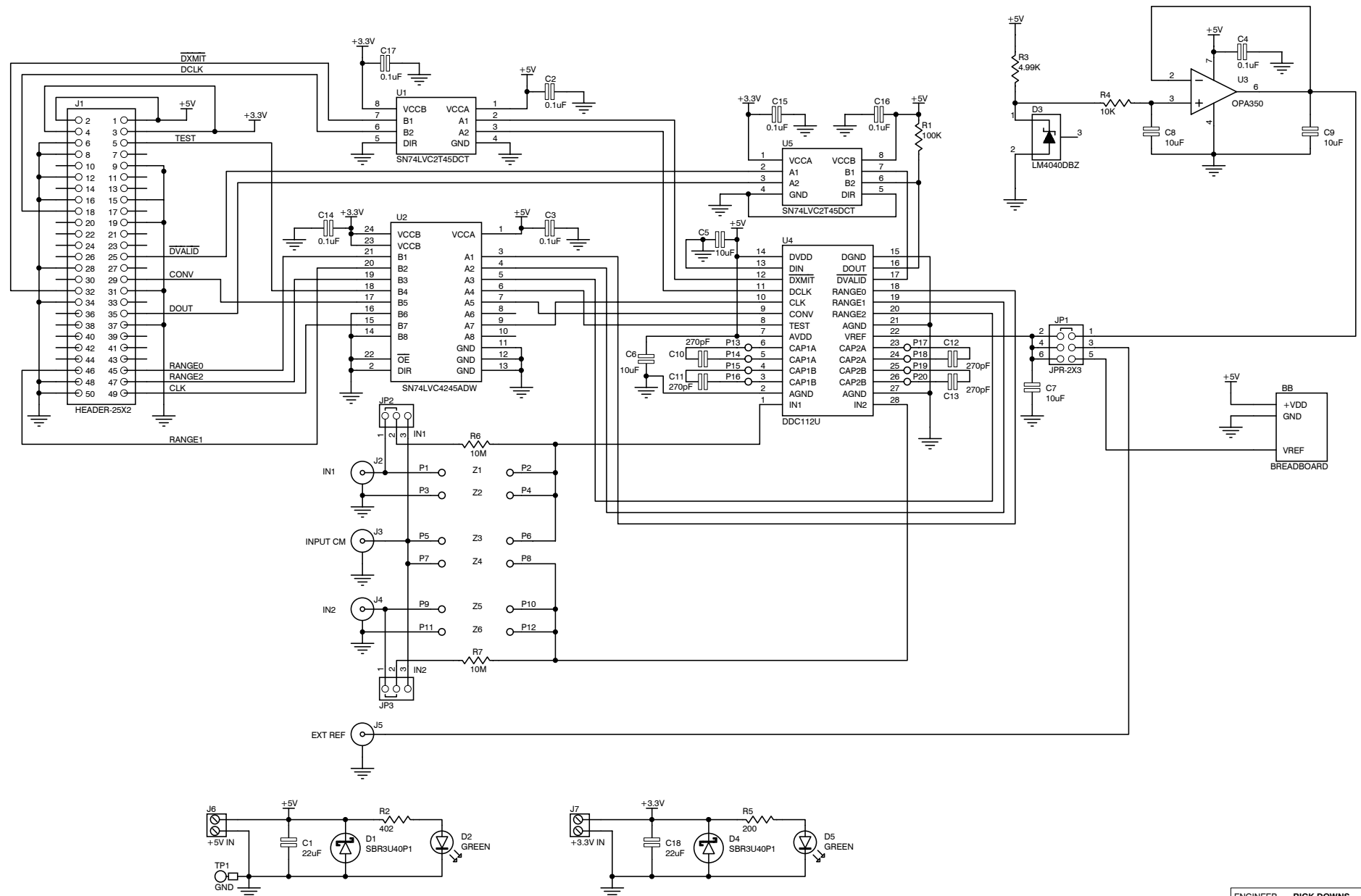
| Item No. | Qty | Value | Ref Designator | Description                               | Vendor               | Part Number       |
|----------|-----|-------|----------------|---|----------------------|-------------------|
| 45       | 1   |       | N/A            | DDCMB PWB                                 | Texas Instruments    | 6490016           |
| 46       | 4   |       | N/A            | Machine screws, Phillips lead 6-32 x 5/16 | Building Fasteners   | PMSSS 632 0031 PH |
| 47       | 4   |       | N/A            | Hex standoff 6-32, 0.5"                   | Keystone Electronics | 2210              |
| 48       | 3   |       | N/A            | Shorting block                            | Samtec               | SNT-100-BK-G-H    |

## Revision History

| Changes from Original (October, 2007) to A Revision   | Page |
|---|------|
| • Revised name of DDC112EVM board; changed all occurrences of <i>DEM_DDC112U-C</i> to <i>DDC112EVM</i> .....  | 1    |
| • Revised <a href="#">Table 5</a> .....   | 3    |
| • Updated identification of sockets on DUT board to reflect new names (P13 to P20) .....  | 4    |
| • Changed descriptions of optional external capacitors .....  | 4    |
| • Deleted description of Robinson-Nugent socket for DUT on EVM board and previous Figure 4 .....  | 5    |
| • Updated paragraph discussing why DDCMB and DUT boards are separate boards .....   | 5    |
| • Changed name of BNC connector to J5 in text and <a href="#">Table 2</a> .....   | 6    |
| • Revised <a href="#">Figure 5</a> to reflect new nomenclature on board .....   | 7    |
| • Updated text that discusses optional component sockets to reflect new nomenclature on board .....   | 7    |
| • Changed description of positions where external capacitors can be inserted .....  | 8    |
| • Changed <a href="#">Figure 6</a> to reflect new nomenclature on board .....   | 8    |
| • Updated hardware description; changed references of jumpers J6 and J16 to JP1 and JP2 in text and <a href="#">Table 4</a> . Changed J17, J18, and J19 to J2, J3, and J4, respectively .....   | 9    |
| • Changed paragraph discussing input channel connections .....  | 10   |
| • Deleted previous Table 6 and related text .....   | 10   |
| • Updated <a href="#">Motherboard Connectors</a> section .....  | 10   |
| • Changed <a href="#">Motherboard Jumpers</a> section. Deleted previous Table 7 and Table 8 .....   | 10   |
| • Updated <a href="#">Motherboard Switches</a> section .....  | 11   |
| • Revised <a href="#">Table 5</a> .....   | 11   |
| • Updated paragraph about installing USB drivers .....  | 11   |
| • Revised <a href="#">Evaluating a DDC11x Device: Quick Start</a> .....   | 17   |
| • Updated <a href="#">Troubleshooting</a> section .....   | 24   |
| • Removed schematics for DEM-DDC112 cable interface adapter (previous Figure30 through Figure 33); updated schematics and PCB layouts for all related devices. Removed smaller-sized schematics (previous Figure 25, Figure 29, Figure 30, and Figure 34 through Figure 36) ..... | 25   |
| • Added <a href="#">Figure 31</a> through <a href="#">Figure 36</a> .....   | 30   |
| • Revised <a href="#">Table 6</a> , <a href="#">Table 7</a> , and <a href="#">Table 8</a> .....   | 34   |

NOTE: Page numbers for previous revisions may differ from page numbers in the current version.

| REVISION HISTORY |                           |          |
|------------------|---------------------------|----------|
| REV              | ENGINEERING CHANGE NUMBER | APPROVED |
|                  |                           |          |
|                  |                           |          |



**TEXAS INSTRUMENTS**  
 PRECISION ANALOG PRODUCTS  
 HIGH-PERFORMANCE ANALOG DIVISION  
 SEMICONDUCTOR GROUP  
 5411 EAST WILLIAMS BOULEVARD, TUCSON, AZ 85711 USA

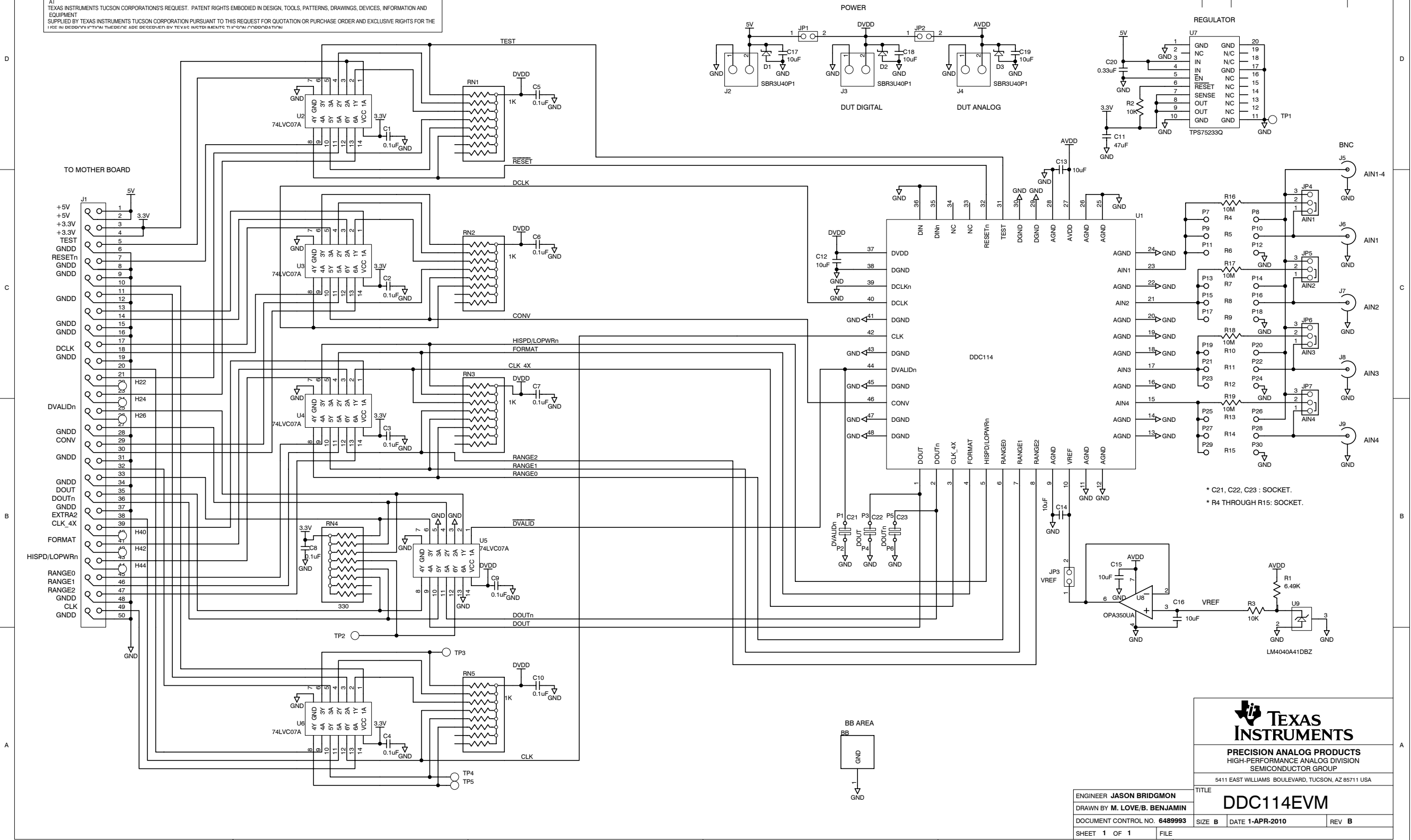
TITLE: **DDC112EVM**

|                      |              |
|----------------------|--------------|
| ENGINEER             | RICK DOWNS   |
| DRAWN BY             | BOB BENJAMIN |
| DOCUMENT CONTROL NO. | 6490022      |
| SHEET                | 1 OF 1       |

|      |   |      |            |     |   |
|------|---|------|------------|-----|---|
| SIZE | B | DATE | 1-APR-2010 | REV | B |
| FILE |   |      |            |     |   |

ANY SPECIFICATIONS, DRAWINGS OR REPRINTS, OR DATA FURNISHED TO BIDDER OR SELLER SHALL REMAIN TEXAS INSTRUMENTS TUCSON CORPORATION'S PROPERTY. SHALL BE KEPT CONFIDENTIAL. SHALL BE USED ONLY FOR THE PURPOSE OF COMPLYING WITH TEXAS INSTRUMENTS TUCSON CORPORATION QUOTATION OR WITH TEXAS INSTRUMENTS TUCSON CORPORATION PURCHASER ORDERS. SHALL NOT BE DISCLOSED TO THIRD PARTIES, AND SHALL BE RETURNED AT TEXAS INSTRUMENTS TUCSON CORPORATION'S REQUEST. PATENT RIGHTS EMBODIED IN DESIGN, TOOLS, PATTERNS, DRAWINGS, DEVICES, INFORMATION AND EQUIPMENT SUPPLIED BY TEXAS INSTRUMENTS TUCSON CORPORATION PURSUANT TO THIS REQUEST FOR QUOTATION OR PURCHASE ORDER AND EXCLUSIVE RIGHTS FOR THE USE IN CONNECTION THEREOF ARE RESERVED BY TEXAS INSTRUMENTS TUCSON CORPORATION.

| REVISION HISTORY |                           |          |
|------------------|---------------------------|----------|
| REV              | ENGINEERING CHANGE NUMBER | APPROVED |
|                  |                           |          |
|                  |                           |          |



\* C21, C22, C23 : SOCKET.  
 \* R4 THROUGH R15: SOCKET.



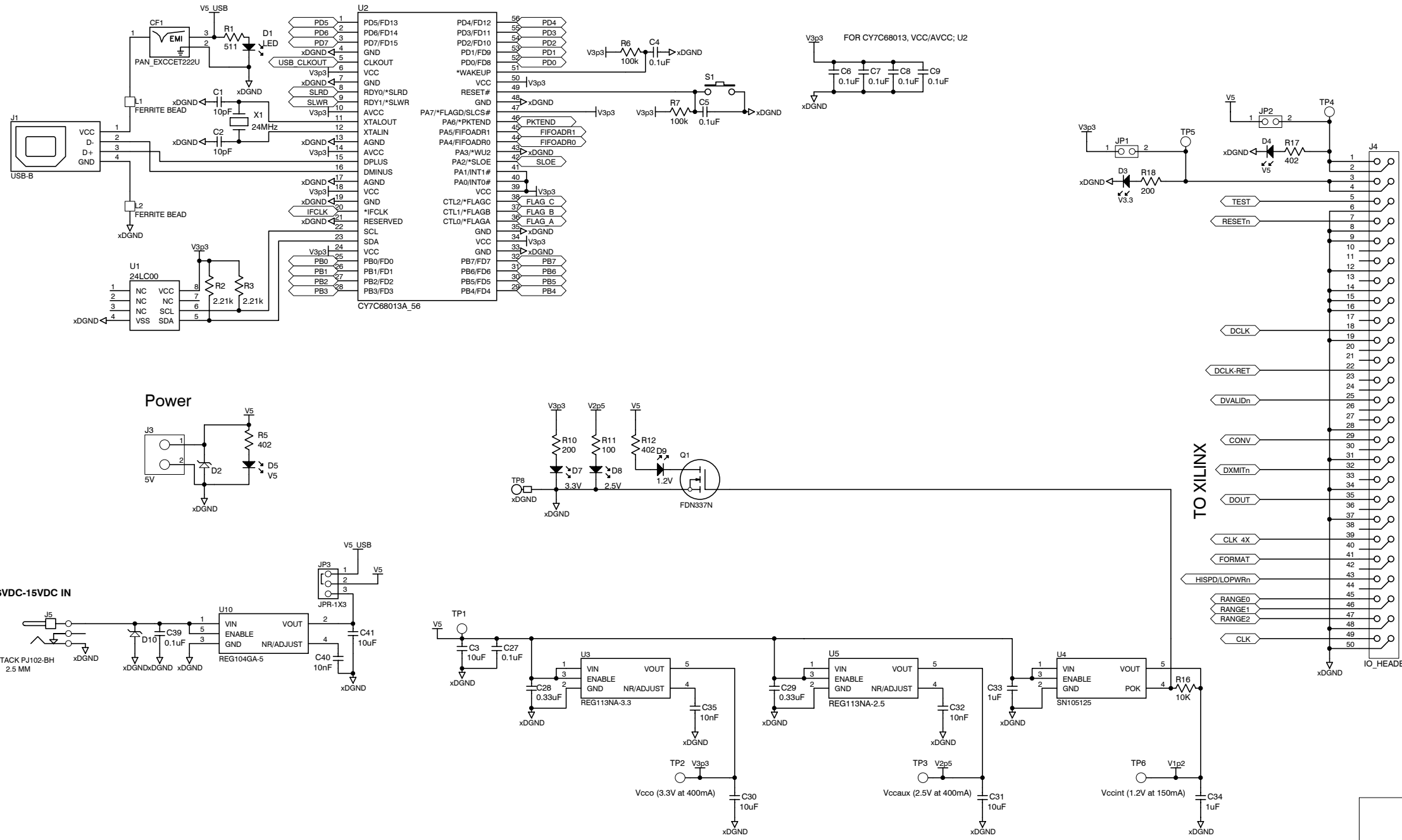
**PRECISION ANALOG PRODUCTS**  
 HIGH-PERFORMANCE ANALOG DIVISION  
 SEMICONDUCTOR GROUP

5411 EAST WILLIAMS BOULEVARD, TUCSON, AZ 85711 USA

|                              |                  |
|------------------------------|------------------|
| ENGINEER JASON BRIDGMON      | TITLE            |
| DRAWN BY M. LOVE/B. BENJAMIN | <b>DDC114EVM</b> |
| DOCUMENT CONTROL NO. 6489993 | SIZE B           |
| SHEET 1 OF 1                 | DATE 1-APR-2010  |
| FILE                         | REV B            |

# USB and Support Circuitry

| REVISION HISTORY |                           |          |
|------------------|---------------------------|----------|
| REV              | ENGINEERING CHANGE NUMBER | APPROVED |
|                  |                           |          |
|                  |                           |          |



TO XILINX

TO DAUGHTERBOARD

ANY SPECIFICATIONS, DRAWINGS OR REPRINTS, OR DATA FURNISHED TO BIDDER OR SELLER SHALL REMAIN TEXAS INSTRUMENTS TUCSON CORPORATION'S PROPERTY. SHALL BE KEPT CONFIDENTIAL SHALL BE USED ONLY FOR THE PURPOSE OF COMPLYING WITH TEXAS INSTRUMENTS TUCSON CORPORATION QUOTATION OR WITH TEXAS INSTRUMENTS TUCSON CORPORATION PURCHASER ORDERS, SHALL NOT BE DISCLOSED TO THIRD PARTIES, AND SHALL BE RETURNED AT TEXAS INSTRUMENTS TUCSON CORPORATION'S REQUEST. PATENT RIGHTS EMBODIED IN DESIGN, TOOLS, PATTERNS, DRAWINGS, DEVICES, INFORMATION AND EQUIPMENT SUPPLIED BY TEXAS INSTRUMENTS TUCSON CORPORATION PURSUANT TO THIS REQUEST FOR QUOTATION OR PURCHASE ORDER AND EXCLUSIVE RIGHTS FOR THE USE IN REPRODUCTION THEREOF ARE RESERVED BY TEXAS INSTRUMENTS TUCSON CORPORATION.

**TEXAS INSTRUMENTS**  
 PRECISION ANALOG PRODUCTS  
 HIGH-PERFORMANCE ANALOG DIVISION  
 SEMICONDUCTOR GROUP  
 5411 EAST WILLIAMS BOULEVARD, TUCSON, AZ 85711 USA

TITLE: **DDCMB**

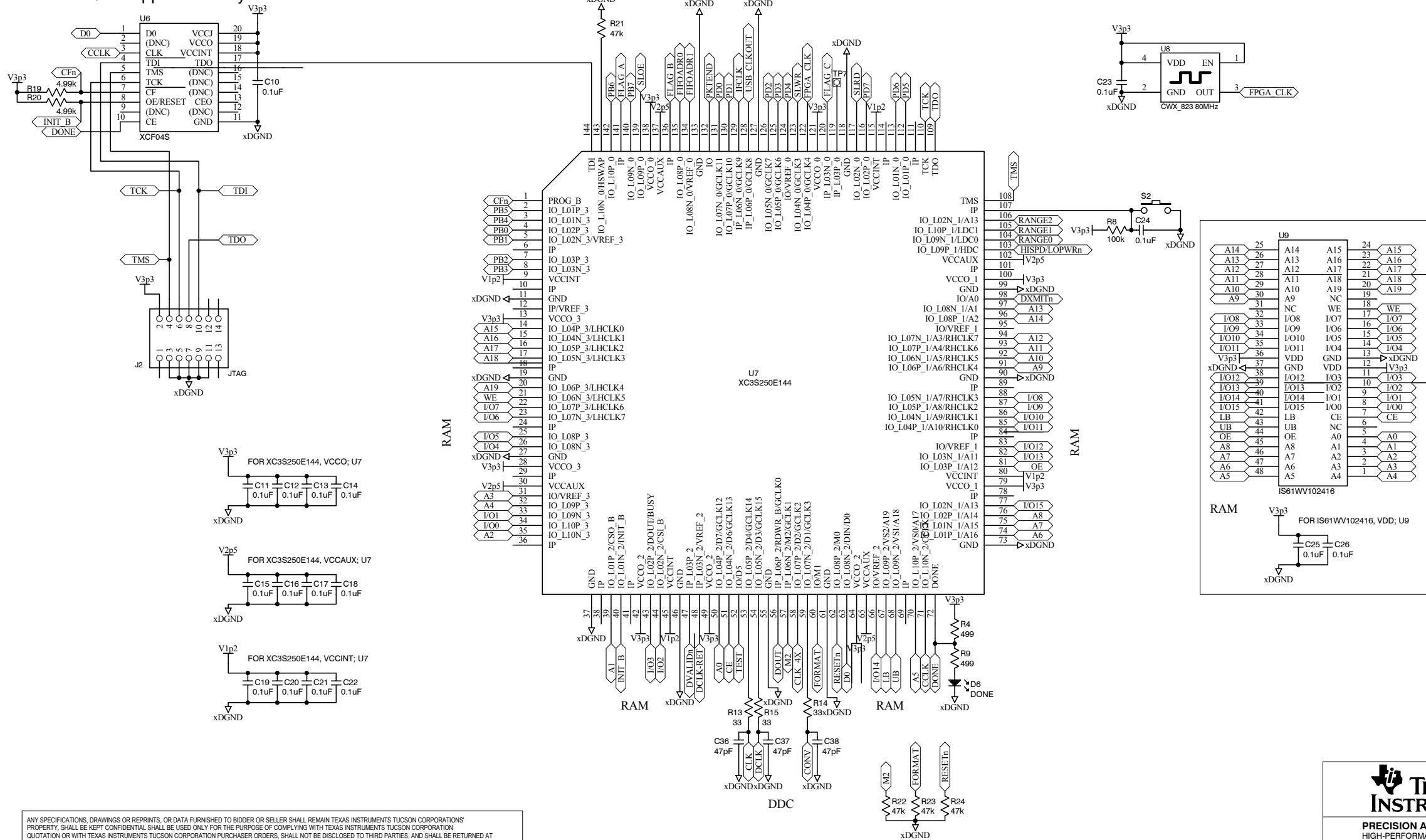
ENGINEER: JASON BRIDGMON  
 DRAWN BY: M LOVE/B BENJAMIN  
 DOCUMENT CONTROL NO. 6490017  
 SHEET 1 OF 2

SIZE B DATE 16-MAR-2010 REV B



| REVISION HISTORY |                           |          |
|------------------|---------------------------|----------|
| REV              | ENGINEERING CHANGE NUMBER | APPROVED |
|                  |                           |          |
|                  |                           |          |

### FPGA and Support Circuitry



ANY SPECIFICATIONS, DRAWINGS OR REPRINTS, OR DATA FURNISHED TO BIDDER OR SELLER SHALL REMAIN TEXAS INSTRUMENTS TUCSON CORPORATION'S PROPERTY. SHALL BE KEPT CONFIDENTIAL SHALL BE USED ONLY FOR THE PURPOSE OF COMPLYING WITH TEXAS INSTRUMENTS TUCSON CORPORATION QUOTATION OR WITH TEXAS INSTRUMENTS TUCSON CORPORATION PURCHASER ORDERS. SHALL NOT BE DISCLOSED TO THIRD PARTIES, AND SHALL BE RETURNED AT TEXAS INSTRUMENTS TUCSON CORPORATION'S REQUEST. PATENT RIGHTS EMBODIED IN DESIGN, TOOLS, PATTERNS, DRAWINGS, DEVICES, INFORMATION AND EQUIPMENT SUPPLIED BY TEXAS INSTRUMENTS TUCSON CORPORATION PURSUANT TO THIS REQUEST FOR QUOTATION OR PURCHASE ORDER AND EXCLUSIVE RIGHTS FOR THE USE IN REPRODUCTION THEREOF ARE RESERVED BY TEXAS INSTRUMENTS TUCSON CORPORATION.

**TEXAS INSTRUMENTS**  
 PRECISION ANALOG PRODUCTS  
 HIGH-PERFORMANCE ANALOG DIVISION  
 SEMICONDUCTOR GROUP  
 5411 EAST WILLIAMS BOULEVARD, TUCSON, AZ 85711 USA

|                      |                   |       |              |
|----------------------|-------------------|-------|--------------|
| ENGINEER             | JASON BRIDGMON    | TITLE | <b>DDCMB</b> |
| DRAWN BY             | M LOVE/B BENJAMIN | SIZE  | B            |
| DOCUMENT CONTROL NO. | 6490017           | DATE  | 16-MAR-2010  |
| SHEET                | 2 OF 2            | FILE  | B            |

## Evaluation Board/Kit Important Notice

Texas Instruments (TI) provides the enclosed product(s) under the following conditions:

This evaluation board/kit is intended for use for **ENGINEERING DEVELOPMENT, DEMONSTRATION, OR EVALUATION PURPOSES ONLY** and is not considered by TI to be a finished end-product fit for general consumer use. Persons handling the product(s) must have electronics training and observe good engineering practice standards. As such, the goods being provided are not intended to be complete in terms of required design-, marketing-, and/or manufacturing-related protective considerations, including product safety and environmental measures typically found in end products that incorporate such semiconductor components or circuit boards. This evaluation board/kit does not fall within the scope of the European Union directives regarding electromagnetic compatibility, restricted substances (RoHS), recycling (WEEE), FCC, CE or UL, and therefore may not meet the technical requirements of these directives or other related directives.

Should this evaluation board/kit not meet the specifications indicated in the User's Guide, the board/kit may be returned within 30 days from the date of delivery for a full refund. **THE FOREGOING WARRANTY IS THE EXCLUSIVE WARRANTY MADE BY SELLER TO BUYER AND IS IN LIEU OF ALL OTHER WARRANTIES, EXPRESSED, IMPLIED, OR STATUTORY, INCLUDING ANY WARRANTY OF MERCHANTABILITY OR FITNESS FOR ANY PARTICULAR PURPOSE.**

The user assumes all responsibility and liability for proper and safe handling of the goods. Further, the user indemnifies TI from all claims arising from the handling or use of the goods. Due to the open construction of the product, it is the user's responsibility to take any and all appropriate precautions with regard to electrostatic discharge.

**EXCEPT TO THE EXTENT OF THE INDEMNITY SET FORTH ABOVE, NEITHER PARTY SHALL BE LIABLE TO THE OTHER FOR ANY INDIRECT, SPECIAL, INCIDENTAL, OR CONSEQUENTIAL DAMAGES.**

TI currently deals with a variety of customers for products, and therefore our arrangement with the user **is not exclusive.**

TI assumes **no liability for applications assistance, customer product design, software performance, or infringement of patents or services described herein.**

Please read the User's Guide and, specifically, the Warnings and Restrictions notice in the User's Guide prior to handling the product. This notice contains important safety information about temperatures and voltages. For additional information on TI's environmental and/or safety programs, please contact the TI application engineer or visit [www.ti.com/esh](http://www.ti.com/esh).

No license is granted under any patent right or other intellectual property right of TI covering or relating to any machine, process, or combination in which such TI products or services might be or are used.

## FCC Warning

This evaluation board/kit is intended for use for **ENGINEERING DEVELOPMENT, DEMONSTRATION, OR EVALUATION PURPOSES ONLY** and is not considered by TI to be a finished end-product fit for general consumer use. It generates, uses, and can radiate radio frequency energy and has not been tested for compliance with the limits of computing devices pursuant to part 15 of FCC rules, which are designed to provide reasonable protection against radio frequency interference. Operation of this equipment in other environments may cause interference with radio communications, in which case the user at his own expense will be required to take whatever measures may be required to correct this interference.

## EVM Warnings and Restrictions

It is important to operate this EVM within the input voltage range of 0V to +5V and the output voltage range of 0V to +5V.

Exceeding the specified input range may cause unexpected operation and/or irreversible damage to the EVM. If there are questions concerning the input range, please contact a TI field representative prior to connecting the input power.

Applying loads outside of the specified output range may result in unintended operation and/or possible permanent damage to the EVM. Please consult the EVM User's Guide prior to connecting any load to the EVM output. If there is uncertainty as to the load specification, please contact a TI field representative.

During normal operation, some circuit components may have case temperatures greater than +30°C. The EVM is designed to operate properly with certain components above +50°C as long as the input and output ranges are maintained. These components include but are not limited to linear regulators, switching transistors, pass transistors, and current sense resistors. These types of devices can be identified using the EVM schematic located in the EVM User's Guide. When placing measurement probes near these devices during operation, please be aware that these devices may be very warm to the touch.

Mailing Address: Texas Instruments, Post Office Box 655303, Dallas, Texas 75265  
Copyright © 2010, Texas Instruments Incorporated

## IMPORTANT NOTICE

Texas Instruments Incorporated and its subsidiaries (TI) reserve the right to make corrections, modifications, enhancements, improvements, and other changes to its products and services at any time and to discontinue any product or service without notice. Customers should obtain the latest relevant information before placing orders and should verify that such information is current and complete. All products are sold subject to TI's terms and conditions of sale supplied at the time of order acknowledgment.

TI warrants performance of its hardware products to the specifications applicable at the time of sale in accordance with TI's standard warranty. Testing and other quality control techniques are used to the extent TI deems necessary to support this warranty. Except where mandated by government requirements, testing of all parameters of each product is not necessarily performed.

TI assumes no liability for applications assistance or customer product design. Customers are responsible for their products and applications using TI components. To minimize the risks associated with customer products and applications, customers should provide adequate design and operating safeguards.

TI does not warrant or represent that any license, either express or implied, is granted under any TI patent right, copyright, mask work right, or other TI intellectual property right relating to any combination, machine, or process in which TI products or services are used. Information published by TI regarding third-party products or services does not constitute a license from TI to use such products or services or a warranty or endorsement thereof. Use of such information may require a license from a third party under the patents or other intellectual property of the third party, or a license from TI under the patents or other intellectual property of TI.

Reproduction of TI information in TI data books or data sheets is permissible only if reproduction is without alteration and is accompanied by all associated warranties, conditions, limitations, and notices. Reproduction of this information with alteration is an unfair and deceptive business practice. TI is not responsible or liable for such altered documentation. Information of third parties may be subject to additional restrictions.

Resale of TI products or services with statements different from or beyond the parameters stated by TI for that product or service voids all express and any implied warranties for the associated TI product or service and is an unfair and deceptive business practice. TI is not responsible or liable for any such statements.

TI products are not authorized for use in safety-critical applications (such as life support) where a failure of the TI product would reasonably be expected to cause severe personal injury or death, unless officers of the parties have executed an agreement specifically governing such use. Buyers represent that they have all necessary expertise in the safety and regulatory ramifications of their applications, and acknowledge and agree that they are solely responsible for all legal, regulatory and safety-related requirements concerning their products and any use of TI products in such safety-critical applications, notwithstanding any applications-related information or support that may be provided by TI. Further, Buyers must fully indemnify TI and its representatives against any damages arising out of the use of TI products in such safety-critical applications.

TI products are neither designed nor intended for use in military/aerospace applications or environments unless the TI products are specifically designated by TI as military-grade or "enhanced plastic." Only products designated by TI as military-grade meet military specifications. Buyers acknowledge and agree that any such use of TI products which TI has not designated as military-grade is solely at the Buyer's risk, and that they are solely responsible for compliance with all legal and regulatory requirements in connection with such use.

TI products are neither designed nor intended for use in automotive applications or environments unless the specific TI products are designated by TI as compliant with ISO/TS 16949 requirements. Buyers acknowledge and agree that, if they use any non-designated products in automotive applications, TI will not be responsible for any failure to meet such requirements.

Following are URLs where you can obtain information on other Texas Instruments products and application solutions:

| <b>Products</b>             |  | <b>Applications</b>        |  |
|-----------------------------|--|----------------------------|--|
| Amplifiers                  | <a href="http://amplifier.ti.com">amplifier.ti.com</a>             | Audio                      | <a href="http://www.ti.com/audio">www.ti.com/audio</a>                                   |
| Data Converters             | <a href="http://dataconverter.ti.com">dataconverter.ti.com</a>     | Automotive                 | <a href="http://www.ti.com/automotive">www.ti.com/automotive</a>                         |
| DLP® Products               | <a href="http://www.dlp.com">www.dlp.com</a>                       | Communications and Telecom | <a href="http://www.ti.com/communications">www.ti.com/communications</a>                 |
| DSP                         | <a href="http://dsp.ti.com">dsp.ti.com</a>                         | Computers and Peripherals  | <a href="http://www.ti.com/computers">www.ti.com/computers</a>                           |
| Clocks and Timers           | <a href="http://www.ti.com/clocks">www.ti.com/clocks</a>           | Consumer Electronics       | <a href="http://www.ti.com/consumer-apps">www.ti.com/consumer-apps</a>                   |
| Interface                   | <a href="http://interface.ti.com">interface.ti.com</a>             | Energy                     | <a href="http://www.ti.com/energy">www.ti.com/energy</a>                                 |
| Logic                       | <a href="http://logic.ti.com">logic.ti.com</a>                     | Industrial                 | <a href="http://www.ti.com/industrial">www.ti.com/industrial</a>                         |
| Power Mgmt                  | <a href="http://power.ti.com">power.ti.com</a>                     | Medical                    | <a href="http://www.ti.com/medical">www.ti.com/medical</a>                               |
| Microcontrollers            | <a href="http://microcontroller.ti.com">microcontroller.ti.com</a> | Security                   | <a href="http://www.ti.com/security">www.ti.com/security</a>                             |
| RFID                        | <a href="http://www.ti-rfid.com">www.ti-rfid.com</a>               | Space, Avionics & Defense  | <a href="http://www.ti.com/space-avionics-defense">www.ti.com/space-avionics-defense</a> |
| RF/IF and ZigBee® Solutions | <a href="http://www.ti.com/lprf">www.ti.com/lprf</a>               | Video and Imaging          | <a href="http://www.ti.com/video">www.ti.com/video</a>                                   |
|                             |  | Wireless                   | <a href="http://www.ti.com/wireless-apps">www.ti.com/wireless-apps</a>                   |

Mailing Address: Texas Instruments, Post Office Box 655303, Dallas, Texas 75265  
Copyright © 2010, Texas Instruments Incorporated