

TPA3123D2 Audio Power Amplifier EVM

Contents

1	Introduction	2
2	Operation	4
3	TPA3123D2 EVM Schematic.....	5
4	TPA3123D2 EVM PCB Layers.....	6
5	TPA3123D2 Evaluation Module Parts List	8

List of Figures

1	TPA3123D2 Audio Power Amplifier EVM (Top View).....	2
2	TPA3123D2 Audio Power Amplifier EVM (Bottom View).....	3
3	TPA3123D2 EVM Schematic.....	5
4	Top Side Layout.....	6
5	Bottom Side Layout.....	7

List of Tables

1	TPA3123D2 EVM Specifications	2
2	Gain Settings	4
3	TPA3123D2 EVM Bill of Materials.....	8

1 Introduction

The TPA3123D2 evaluation module consists of a single 25-W, class-D, stereo audio power amplifier complete with a small number of external components mounted on a circuit board that are used to directly drive speakers with an external analog audio source as the input.

Table 1. TPA3123D2 EVM Specifications

		VALUE	UNIT
V_{CC}	Supply voltage range	10 to 30	V
I_{CC}	Supply current, maximum	2	A
P_O	Continuous output power, P_O : 4 Ω , V_{CC} = 27 V, THD+N = 10%	24	W
Z_L	Minimum load impedance	3.2	Ω

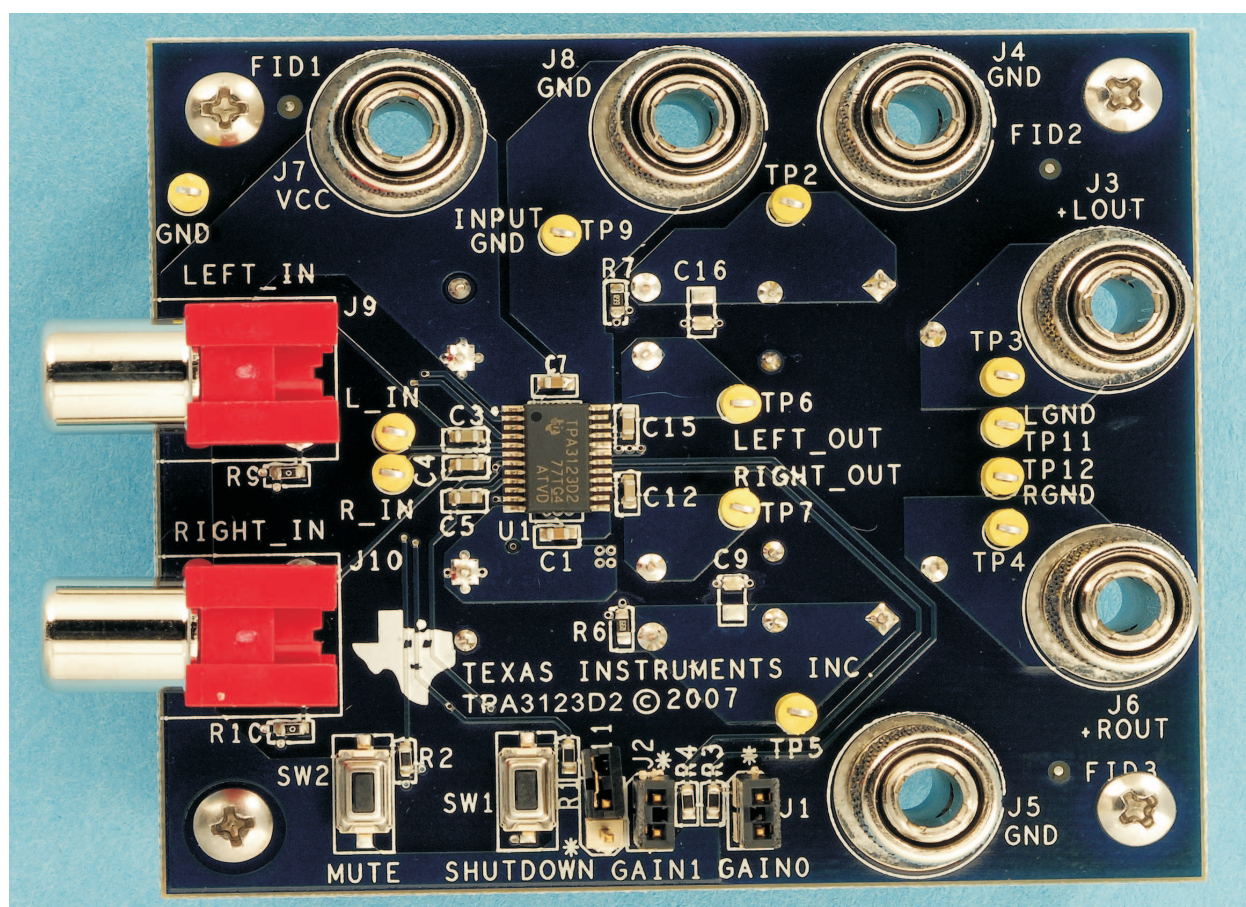


Figure 1. TPA3123D2 Audio Power Amplifier EVM (Top View)

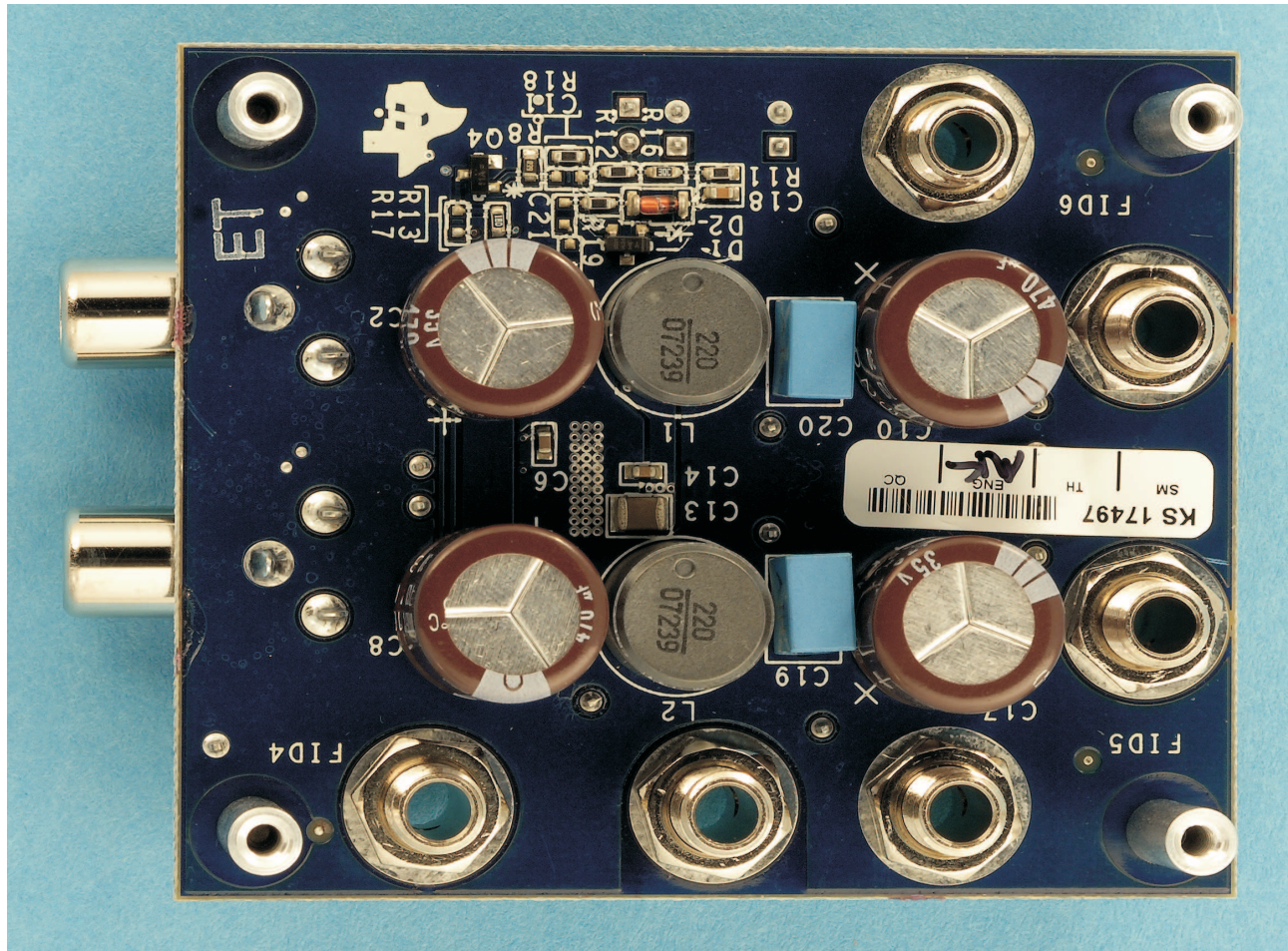


Figure 2. TPA3123D2 Audio Power Amplifier EVM (Bottom View)

2 Operation

2.1 Quick Start List for Stand-Alone Operation

Follow these steps to use the TPA3123D2EVM stand-alone or when connecting it into existing circuits or equipment. Connections to the EVM module can be made by inserting stripped wire, or using banana plugs for the power supply and output connections. The inputs accept standard RCA plugs.

2.1.1 Power Supply

1. Ensure that all external power sources are set to OFF.
2. Connect an external regulated power supply adjusted from 10 V to 30 V to the module VCC (J7) and GND (J8) banana jacks taking care to observe marked polarity.

2.1.2 Evaluation Module Preparations

Inputs and Outputs:

1. Connect an audio source to the input jacks, **J9** and **J10**.
2. Connect a speaker across GND (J5) and +ROUT (J6). Connect another speaker across LOUT (J3) and GND (J4)
3. Install both gain jumpers GAIN0 (J1) and GAIN1 (J2). This sets the gain of the amplifier to the lowest level, 20 dB.

Control Inputs:

1. **SHUTDOWN**: This terminal is active LOW. A LOW on the device terminal (<0.8 V) shuts down the amplifier; a HIGH (>2 V) on the device terminal places the amplifier in the active state. Holding down switch SW1 places the amplifier in the SHUTDOWN state. Releasing SW1 returns the amplifier to the active state. This terminal is V_{CC} compliant.
2. **MUTE**: This terminal is active HIGH. A HIGH (>2 V) on this terminal will immediately terminate audio playback through the speakers; a LOW (<0.8 V) enables the device. The outputs remain switching with fifty percent duty cycle. SW2 on the EVM controls the state of the MUTE terminal. Holding down switch SW2 places the amplifier in the MUTE state. Releasing SW2 returns the amplifier to the active state. This terminal is V_{CC} compliant.
3. **GAIN0/GAIN1**: Together, these terminals determine the gain of the amplifier. See [Table 2](#). Installing a jumper in J1 or J2 sets the respective terminal to GND. Removing the jumper sets the respective terminals to VCC. Removing jumpers *increases* the gain while installing jumpers *decreases* the gain. Logic levels are TTL compatible. These terminals are V_{CC} compliant.
4. **Power-off Depop Circuit**: Additional circuitry to quiet power-off pop is provided on the EVM. This circuit consists of shunt regulator D1, bipolar transistor Q4, and the surrounding components. This circuit is activated by installing the jumper J11 which connects V_{CC} to the network. The depop circuit has two different modes of operation. When R13 is installed, this circuit slowly pulls down the voltage on the Bypass pin when power is removed resulting in a controlled reduction of the Class D output duty cycle. If R17 is installed, the network reduces the pop by pulling down the shutdown pin at power-off. This approach can be used if the power supply operates in such a way that there is a significant time delay between removal of power and the point where V_{CC} falls below the chip UVLO level, which is approximately 8 volts.

Table 2. Gain Settings

GAIN0 (J1)	GAIN1 (J2)	Amplifier Gain (dB)
ON	ON	20
ON	OFF	26
OFF	ON	32
OFF	OFF	36

2.1.3 Power Up

1. Verify correct voltage and input polarity, and turn the external power supplies ON.

The EVM should begin operation.

1. Adjust the input signal.
2. Adjust the control inputs to the desired settings.
3. Adjust the amplifier gain by installing/removing the gain jumpers, **J1** and **J2**.

3 TPA3123D2 EVM Schematic

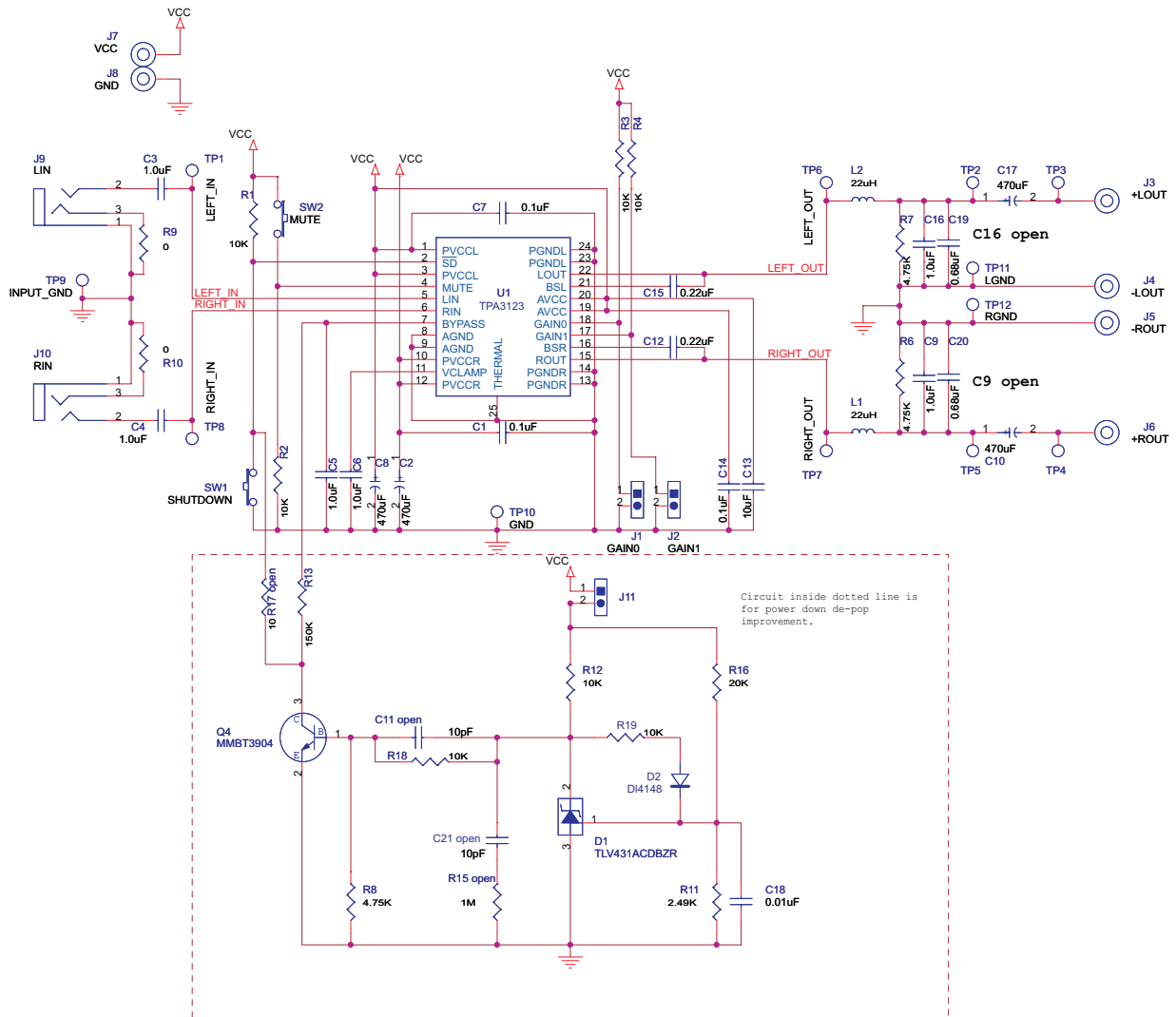


Figure 3. TPA3123D2 EVM Schematic

4 TPA3123D2 EVM PCB Layers

The following illustrations depict the TPA3123D2 EVM PCB layers.

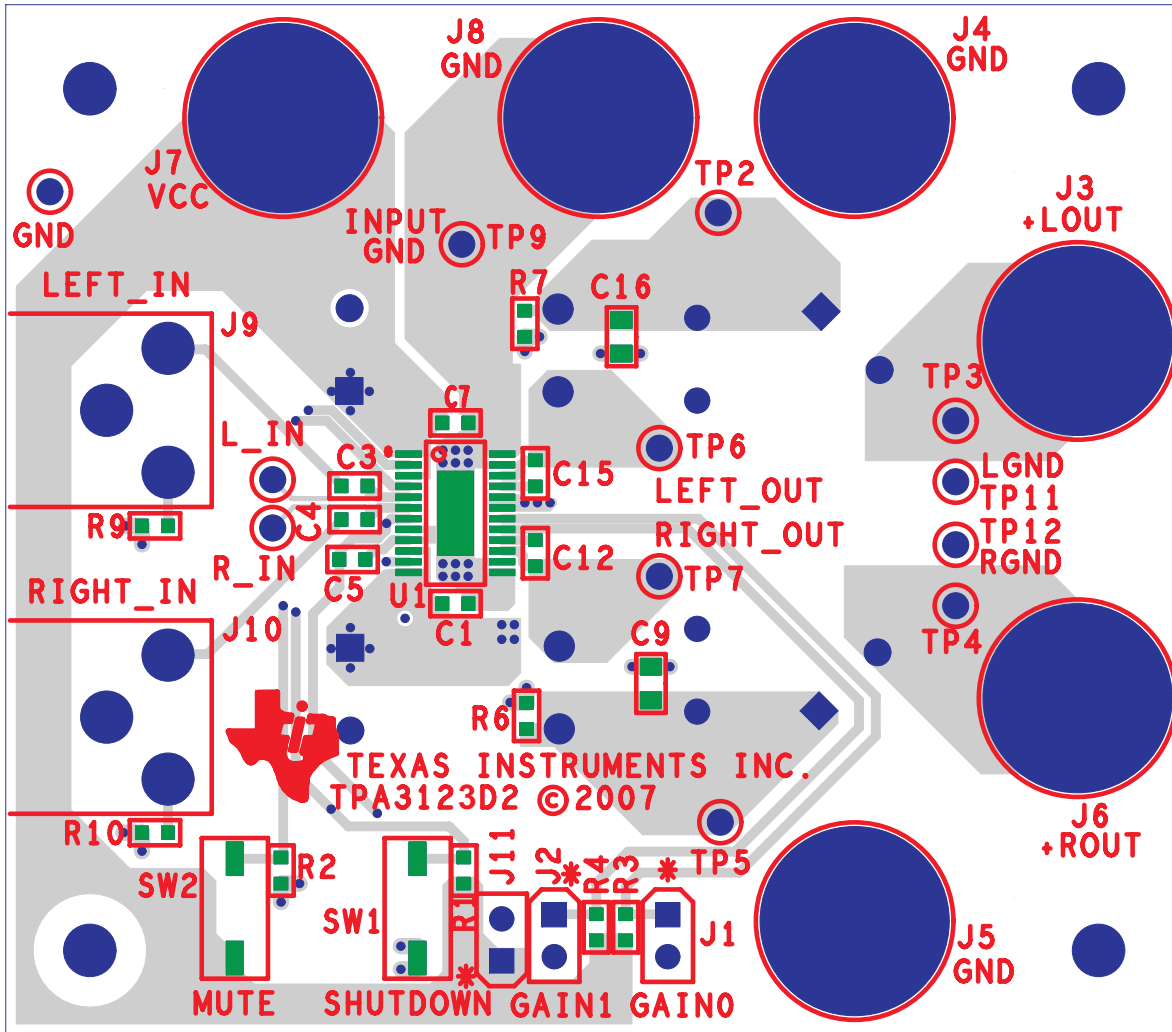


Figure 4. Top Side Layout

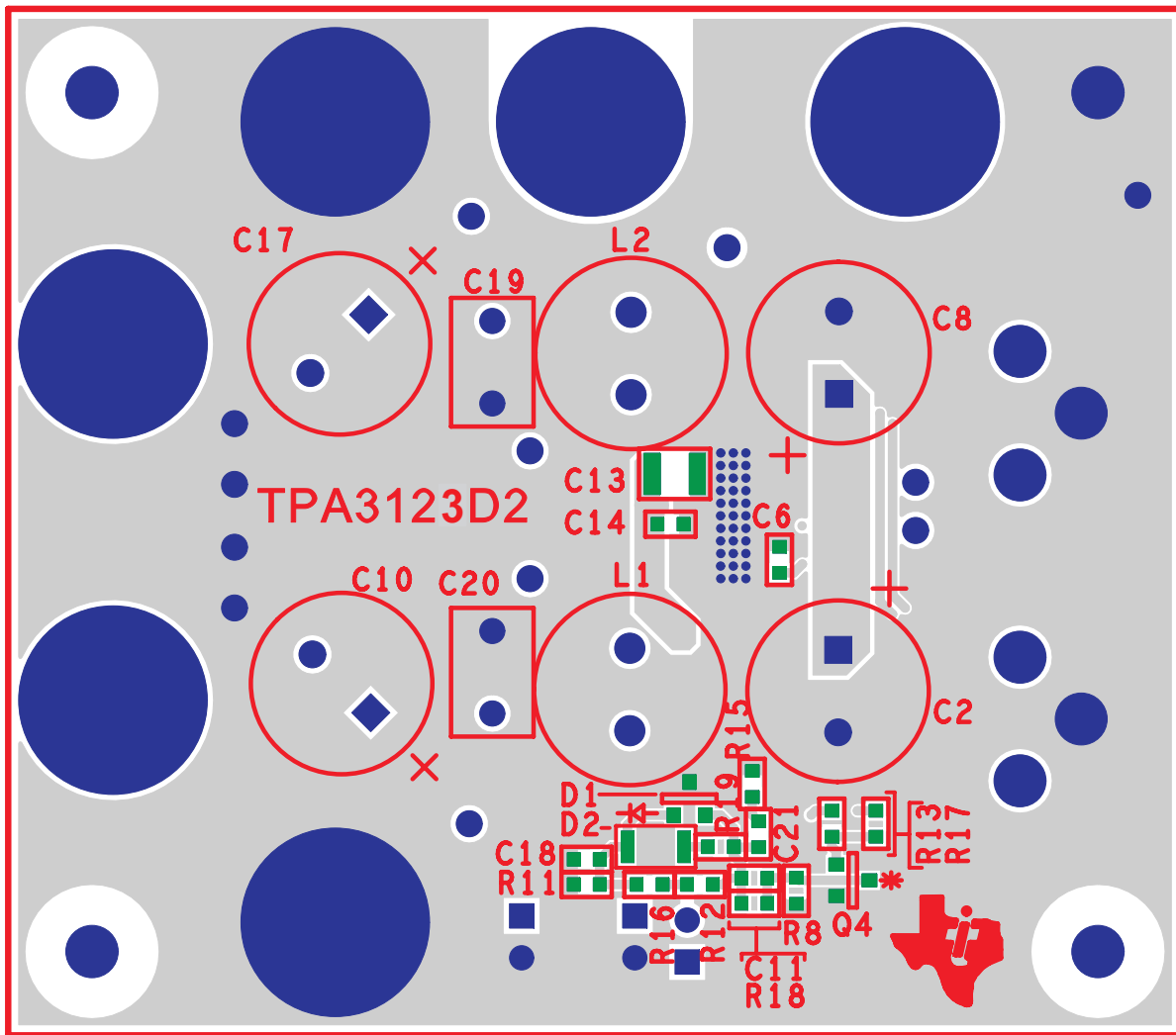


Figure 5. Bottom Side Layout

5 TPA3123D2 Evaluation Module Parts List
Table 3. TPA3123D2 EVM Bill of Materials

Ref.	Description	Size	Qty	Status	Manufacturer	Part Number
C1, C7, C14	Capacitor, ceramic, 0.1 μ F, \pm 10%, X7R, 50V	0603	3		TDK	C1608X7R1H104KT
C2, C8, C10, C17	Capacitor, Electrolytic, 470 μ F, 35 V	Radial	4		Nichicon	UHE1V471MH06
C3–C6	Capacitor, ceramic, 1.0 μ F, \pm 10%, X7R, 16V	0603	4		Taiyo Yuden	EMK107BJ105KA-TR
C9, C16	Capacitor, ceramic, 1.0 μ F, \pm 10%, X7R, 50V	0805	2	open	TDK	C3216X7R1H105K
C12, C15	Capacitor, ceramic, 0.22 μ F, \pm 10%, X7R, 16V	0603	2		TDK	C1608X7R1C224KT
C13	Capacitor, ceramic, 10 μ F, +80%/–20%, Y5V, 50V	1210	1		Murata	GRM32DF51H106ZA01L
C19, C20	Capacitor, metal poly, 0.68 μ F, 63V	Radial	2		EPCOS, Inc.	B32529C684J
L1-L2	Inductor, 22 μ H, radial lead, ferrite material, shielded	Radial	2		Toko	A7503AY-220M
R1-R4	Resistor, chip, 10 k Ω , 1/16 W, 5%	0603	4		Panasonic	ERA-V15J103V
R6, R7	Resistor, chip, 4.7 k Ω , 1/10 W, 5%	0603	2		Panasonic	ERJ-3GEYJ472V
R9, R10	Resistor, chip, 0 Ω , 1/10 W, 5%	0603	2		Panasonic	ERJ-3GEY0R00V
J1-J2	Phono Jack, PC mount, switched		2		Switchcraft	PJRAN1X1U03
J3-J8	Banana Jack w/knurled Thumbnut (nickel plate)		6		Johnson	111-2223-001
J9-J10	Header, 2 position, Male	2mm	2		Norcomp	2163-36-01-P2
JP9-JP10 (shunts)	SHUNT, 2MM	2mm	2		Specialty	2JM-G
SW1, SW2	Switch, momentary, SMD, Low profile		2		Panasonic	EVQ-PPBA25
	Standoffs, 5/8" length, 4-40 thread		4		Keystone	1808
	Screws, 4-40, .375		4			
U1	TPA3123D2PWP	24 pin TSSOP	1		TI	TPA3123D2PWP
The following parts comprise the power-off depop circuit which is enabled by installing J11.						
C11, C21	Capacitor, ceramic, 10 pF, \pm 10%, C0G, 100V	0603	2	open	Murata	GRM1885C2A100RA01D
C18	Capacitor, ceramic, 0.01 μ F, \pm 10%, X7R, 50V	0603	1		TDK	C1608X7R1H103K
D1	Shunt Regulator, Adjustable	SOT-23-3	1		Texas Instruments	TLV431ACDBZR
D2	Rectifier, Silicon, 0.15 A, 75V	mini MELF	1		Micro Commercial	DL4148-TP
Q4	Transistor, NPN, AMP	SOT-23	1		Fairchild Semiconductor	MMBT3904
R8	Resistor, chip, 4.7 k Ω , 1/10 W, 5%	0603	1		Panasonic	ERJ-3GEYJ472V
R11	Resistor, chip, 2.49 k Ω , 1/10 W, 1%	0603	1		Vishay	CRCW06032K49FKEA
R12, R18, R19	Resistor, chip, 10 k Ω , 1/16 W, 5%	0603	3		Panasonic	ERA-V15J103V
R13	Resistor, chip, 150 k Ω , 1/10 W, 1%	0603	1		Vishay	CRCW0603150KJNEA
R15	Resistor, chip, 1 M Ω , 1/10 W, 1%	0603	1	open	Vishay	CRCW06031M00FKEA
R16	Resistor, chip, 20 k Ω , 1/10 W, 1%	0603	1		Vishay	CRCW060320K0FKEA
R17	Resistor, chip, 10 Ω , 1/16 W, 1%	0603	1	open	Vishay	CRCW060310R0FKEA
J11	Header, 2 position, Male	2mm	1	open	Norcomp	2163-36-01-P2

EVALUATION BOARD/KIT IMPORTANT NOTICE

Texas Instruments (TI) provides the enclosed product(s) under the following conditions:

This evaluation board/kit is intended for use for **ENGINEERING DEVELOPMENT, DEMONSTRATION, OR EVALUATION PURPOSES ONLY** and is not considered by TI to be a finished end-product fit for general consumer use. Persons handling the product(s) must have electronics training and observe good engineering practice standards. As such, the goods being provided are not intended to be complete in terms of required design-, marketing-, and/or manufacturing-related protective considerations, including product safety and environmental measures typically found in end products that incorporate such semiconductor components or circuit boards. This evaluation board/kit does not fall within the scope of the European Union directives regarding electromagnetic compatibility, restricted substances (RoHS), recycling (WEEE), FCC, CE or UL, and therefore may not meet the technical requirements of these directives or other related directives.

Should this evaluation board/kit not meet the specifications indicated in the User's Guide, the board/kit may be returned within 30 days from the date of delivery for a full refund. **THE FOREGOING WARRANTY IS THE EXCLUSIVE WARRANTY MADE BY SELLER TO BUYER AND IS IN LIEU OF ALL OTHER WARRANTIES, EXPRESSED, IMPLIED, OR STATUTORY, INCLUDING ANY WARRANTY OF MERCHANTABILITY OR FITNESS FOR ANY PARTICULAR PURPOSE.**

The user assumes all responsibility and liability for proper and safe handling of the goods. Further, the user indemnifies TI from all claims arising from the handling or use of the goods. Due to the open construction of the product, it is the user's responsibility to take any and all appropriate precautions with regard to electrostatic discharge.

EXCEPT TO THE EXTENT OF THE INDEMNITY SET FORTH ABOVE, NEITHER PARTY SHALL BE LIABLE TO THE OTHER FOR ANY INDIRECT, SPECIAL, INCIDENTAL, OR CONSEQUENTIAL DAMAGES.

TI currently deals with a variety of customers for products, and therefore our arrangement with the user **is not exclusive.**

TI assumes **no liability for applications assistance, customer product design, software performance, or infringement of patents or services described herein.**

Please read the User's Guide and, specifically, the Warnings and Restrictions notice in the User's Guide prior to handling the product. This notice contains important safety information about temperatures and voltages. For additional information on TI's environmental and/or safety programs, please contact the TI application engineer or visit www.ti.com/esh.

No license is granted under any patent right or other intellectual property right of TI covering or relating to any machine, process, or combination in which such TI products or services might be or are used.

FCC Warning

This evaluation board/kit is intended for use for **ENGINEERING DEVELOPMENT, DEMONSTRATION, OR EVALUATION PURPOSES ONLY** and is not considered by TI to be a finished end-product fit for general consumer use. It generates, uses, and can radiate radio frequency energy and has not been tested for compliance with the limits of computing devices pursuant to part 15 of FCC rules, which are designed to provide reasonable protection against radio frequency interference. Operation of this equipment in other environments may cause interference with radio communications, in which case the user at his own expense will be required to take whatever measures may be required to correct this interference.

Mailing Address: Texas Instruments, Post Office Box 655303, Dallas, Texas 75265
Copyright 2007, Texas Instruments Incorporated

EVM WARNINGS AND RESTRICTIONS

It is important to operate this EVM within the input voltage range of 10 V to 30 V and the output voltage range of 0 V to 30 V.

Exceeding the specified input range may cause unexpected operation and/or irreversible damage to the EVM. If there are questions concerning the input range, please contact a TI field representative prior to connecting the input power.

Applying loads outside of the specified output range may result in unintended operation and/or possible permanent damage to the EVM. Please consult the EVM User's Guide prior to connecting any load to the EVM output. If there is uncertainty as to the load specification, please contact a TI field representative.

During normal operation, some circuit components may have case temperatures greater than 85°C. The EVM is designed to operate properly with certain components above 85°C as long as the input and output ranges are maintained. These components include but are not limited to linear regulators, switching transistors, pass transistors, and current sense resistors. These types of devices can be identified using the EVM schematic located in the EVM User's Guide. When placing measurement probes near these devices during operation, please be aware that these devices may be very warm to the touch.

Mailing Address: Texas Instruments, Post Office Box 655303, Dallas, Texas 75265
Copyright 2007, Texas Instruments Incorporated

IMPORTANT NOTICE

Texas Instruments Incorporated and its subsidiaries (TI) reserve the right to make corrections, modifications, enhancements, improvements, and other changes to its products and services at any time and to discontinue any product or service without notice. Customers should obtain the latest relevant information before placing orders and should verify that such information is current and complete. All products are sold subject to TI's terms and conditions of sale supplied at the time of order acknowledgment.

TI warrants performance of its hardware products to the specifications applicable at the time of sale in accordance with TI's standard warranty. Testing and other quality control techniques are used to the extent TI deems necessary to support this warranty. Except where mandated by government requirements, testing of all parameters of each product is not necessarily performed.

TI assumes no liability for applications assistance or customer product design. Customers are responsible for their products and applications using TI components. To minimize the risks associated with customer products and applications, customers should provide adequate design and operating safeguards.

TI does not warrant or represent that any license, either express or implied, is granted under any TI patent right, copyright, mask work right, or other TI intellectual property right relating to any combination, machine, or process in which TI products or services are used. Information published by TI regarding third-party products or services does not constitute a license from TI to use such products or services or a warranty or endorsement thereof. Use of such information may require a license from a third party under the patents or other intellectual property of the third party, or a license from TI under the patents or other intellectual property of TI.

Reproduction of TI information in TI data books or data sheets is permissible only if reproduction is without alteration and is accompanied by all associated warranties, conditions, limitations, and notices. Reproduction of this information with alteration is an unfair and deceptive business practice. TI is not responsible or liable for such altered documentation. Information of third parties may be subject to additional restrictions.

Resale of TI products or services with statements different from or beyond the parameters stated by TI for that product or service voids all express and any implied warranties for the associated TI product or service and is an unfair and deceptive business practice. TI is not responsible or liable for any such statements.

TI products are not authorized for use in safety-critical applications (such as life support) where a failure of the TI product would reasonably be expected to cause severe personal injury or death, unless officers of the parties have executed an agreement specifically governing such use. Buyers represent that they have all necessary expertise in the safety and regulatory ramifications of their applications, and acknowledge and agree that they are solely responsible for all legal, regulatory and safety-related requirements concerning their products and any use of TI products in such safety-critical applications, notwithstanding any applications-related information or support that may be provided by TI. Further, Buyers must fully indemnify TI and its representatives against any damages arising out of the use of TI products in such safety-critical applications.

TI products are neither designed nor intended for use in military/aerospace applications or environments unless the TI products are specifically designated by TI as military-grade or "enhanced plastic." Only products designated by TI as military-grade meet military specifications. Buyers acknowledge and agree that any such use of TI products which TI has not designated as military-grade is solely at the Buyer's risk, and that they are solely responsible for compliance with all legal and regulatory requirements in connection with such use.

TI products are neither designed nor intended for use in automotive applications or environments unless the specific TI products are designated by TI as compliant with ISO/TS 16949 requirements. Buyers acknowledge and agree that, if they use any non-designated products in automotive applications, TI will not be responsible for any failure to meet such requirements.

Following are URLs where you can obtain information on other Texas Instruments products and application solutions:

Products		Applications	
Amplifiers	amplifier.ti.com	Audio	www.ti.com/audio
Data Converters	dataconverter.ti.com	Automotive	www.ti.com/automotive
DSP	dsp.ti.com	Broadband	www.ti.com/broadband
Interface	interface.ti.com	Digital Control	www.ti.com/digitalcontrol
Logic	logic.ti.com	Military	www.ti.com/military
Power Mgmt	power.ti.com	Optical Networking	www.ti.com/opticalnetwork
Microcontrollers	microcontroller.ti.com	Security	www.ti.com/security
RFID	www.ti-rfid.com	Telephony	www.ti.com/telephony
Low Power Wireless	www.ti.com/lpw	Video & Imaging	www.ti.com/video
		Wireless	www.ti.com/wireless

Mailing Address: Texas Instruments, Post Office Box 655303, Dallas, Texas 75265
Copyright © 2007, Texas Instruments Incorporated