

# TPS548A20 SWIFT™ Step-Down Converter Evaluation Module User's Guide



## Table of Contents

<b>1 Introduction</b> .....	2
<b>2 Description</b> .....	3
2.1 Typical Applications.....	3
2.2 Features.....	3
<b>3 Electrical Performance Specifications</b> .....	4
<b>4 Schematic</b> .....	5
<b>5 Test Setup</b> .....	7
5.1 Test Equipment.....	7
5.2 Recommended Test Setup.....	8
<b>6 Configurations</b> .....	9
6.1 Switching Frequency Selection.....	9
6.2 Mode Selection.....	9
6.3 VDD Pin Supply Selection.....	10
<b>7 Test Procedure</b> .....	11
7.1 Line and Load Regulation and Efficiency Measurement Procedure.....	11
7.2 Control-Loop Gain and Phase-Measurement Procedure.....	11
7.3 List of Test Points.....	12
7.4 Equipment Shutdown.....	12
<b>8 EVM Assembly Drawing and PCB Layout</b> .....	13
<b>9 Bill of Materials</b> .....	17
<b>10 Revision History</b> .....	18

## List of Figures

Figure 4-1. TPS548A20EVM-737 Schematic.....	6
Figure 5-1. Tip and Barrel Measurement for Output Voltage Ripple.....	7
Figure 5-2. TPS548A20EVM-587 Top Layer for Test Setup.....	8
Figure 8-1. TPS548A20EVM-587 Top-Layer Assembly Drawing.....	13
Figure 8-2. TPS548A20EVM-587 Bottom-Layer Assembly Drawing.....	13
Figure 8-3. TPS548A20EVM-587 Top Layer, Copper.....	14
Figure 8-4. TPS548A20EVM-587 Layer Two, Copper.....	14
Figure 8-5. TPS548A20EVM-587 Layer Three, Copper.....	15
Figure 8-6. TPS548A20EVM-587 Layer Four, Copper.....	15
Figure 8-7. TPS548A20EVM-587 Layer Five, Copper.....	16
Figure 8-8. TPS548A20EVM-587 Bottom Layer, Copper.....	16

## List of Tables

Table 3-1. TPS548A20EVM-737 Electrical Performance Specifications <sup>(1)</sup> .....	4
Table 4-1. Device Pin-Out Difference Summary.....	5
Table 6-1. Switching Frequency Selection.....	9
Table 6-2. Mode Selection.....	9
Table 6-3. Enable Selection.....	10
Table 7-1. Test Point Functions.....	12
Table 9-1. EVM Components List (Based on the Schematic, See <a href="#">Figure 4-1</a> ).....	17

## Trademarks

D-CAP3™ is a trademark of TI.

All trademarks are the property of their respective owners.

## 1 Introduction

The TPS548A20EVM-737 evaluation module (EVM) uses the TPS548A20 device. The TPS548A20 device is a D-CAP3™ mode, 15-A synchronous buck-converter with integrated MOSFETs. The device provides a fixed 1.2-V output at up to 15 A from a 12-V input bus.

## 2 Description

The TPS548A20EVM-737 is designed for a regulated 12-V bus to produce a regulated 1.2-V output at up to 15 A of load current. The TPS548A20EVM-737 is designed to demonstrate the TPS548A20 device in a typical low-voltage application while providing a number of test points to evaluate the performance of the TPS548A20 device.

### 2.1 Typical Applications

- Servers and storage
- Workstations and desktops
- Telecommunication infrastructure

### 2.2 Features

The TPS548A20EVM-737 features include the following:

- 15-A DC steady-state output current
- Support for a prebias-output voltage at startup
- Jumper, J2, for enable function
- Jumper, J5, for auto-skip and forced-continuous-conduction-mode (FCCM) selection
- Jumper, J7, for extra 5-V input for further power saving purpose
- Convenient test points for probing critical waveforms

### 3 Electrical Performance Specifications

**Table 3-1. TPS548A20EVM-737 Electrical Performance Specifications<sup>(1)</sup>**

PARAMETER	TEST CONDITIONS	MIN	TYP	MAX	UNITS
<b>INPUT CHARACTERISTICS</b>					
Voltage range	$V_{IN}$	5	12	18	V
Maximum input current	$V_{IN} = 5\text{ V}$ , $I_O = 8\text{ A}$		2.5		A
No load input current	$V_{IN} = 12\text{ V}$ , $I_O = 0\text{ A}$ with auto-skip mode		1		mA
<b>OUTPUT CHARACTERISTICS</b>					
Output voltage $V_{OUT}$			1.2		V
Output voltage regulation	Line regulation ( $V_{IN} = 5\text{ V} - 14\text{ V}$ ) with FCCM		0.2		%
	Load regulation ( $V_{IN} = 12\text{ V}$ , $I_O = 0\text{ A} - 8\text{ A}$ ) with FCCM		0.5		
Output voltage ripple	$V_{IN} = 12\text{ V}$ , $I_O = 8\text{ A}$ with FCCM		10		mVpp
Output load current		0		15	A
Output over current			15		A
Soft-start			1		ms
<b>SYSTEMS CHARACTERISTICS</b>					
Switching frequency	$V_{IN} = 12\text{ V}$ , 1.2 V / 4 A		1000		kHz
Peak efficiency	$V_{IN} = 12\text{ V}$ , 1.2 V / 8 A		88.5		%
Full load efficiency			86.9		%
Operating temperature			25		°C

(1) Jumpers set to default locations, See [Section 6](#).

## 4 Schematic

Figure 4-1 shows the schematic of the TPS548A20EVM-737 .

The TPS548A20 device is similar to the TPS549A20 device which offers PMBus interface. Table 4-1 lists the differences in pin functions of the TPS548A20 and TPS549A20.

**Table 4-1. Device Pin-Out Difference Summary**

PIN NO.	PIN NAMES	
	TPS549A20	TPS548A20
26	ALERT $\bar{}$	NC
27	SDA	GND1
28	SCL	GND1

4.1

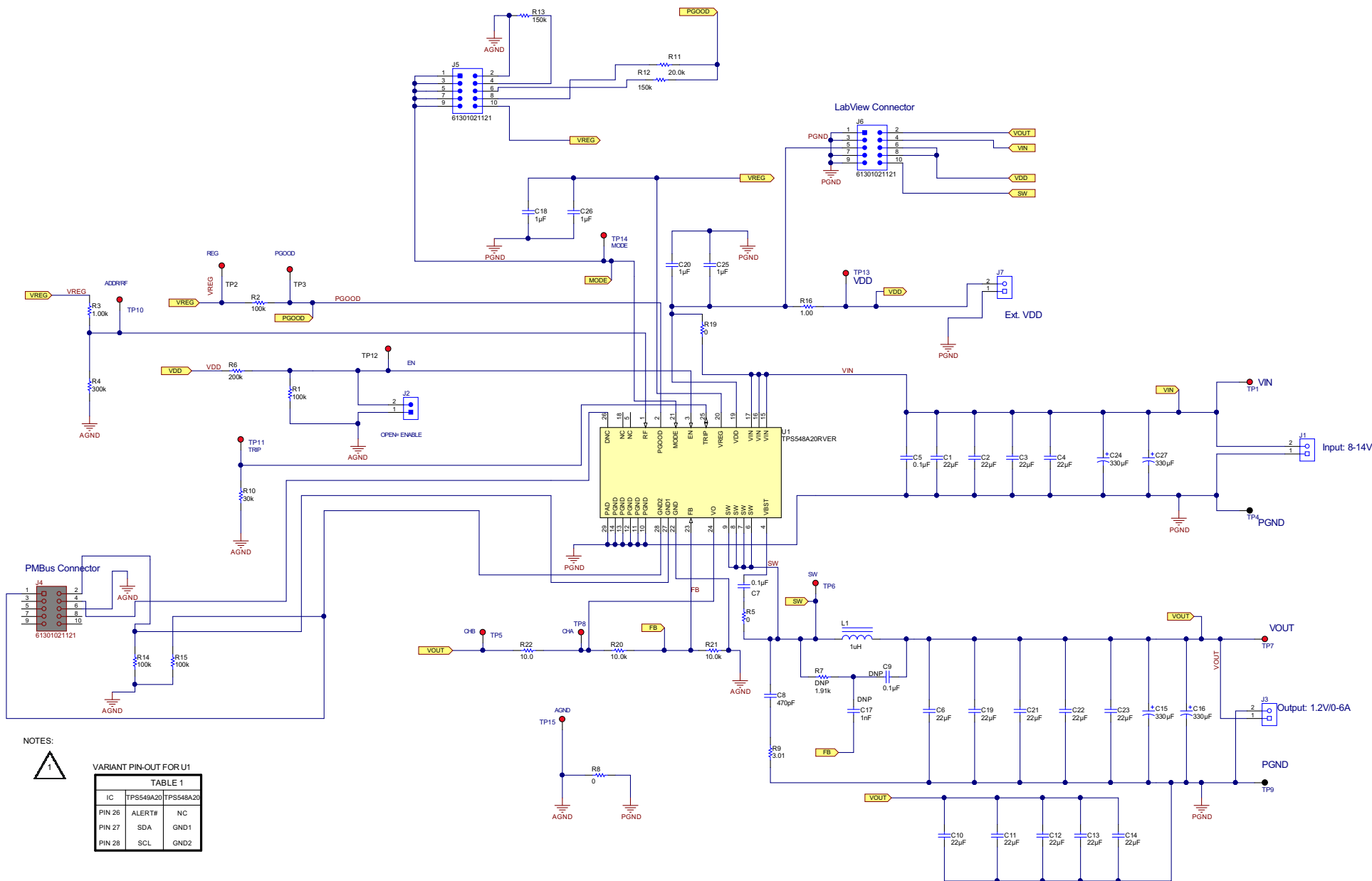
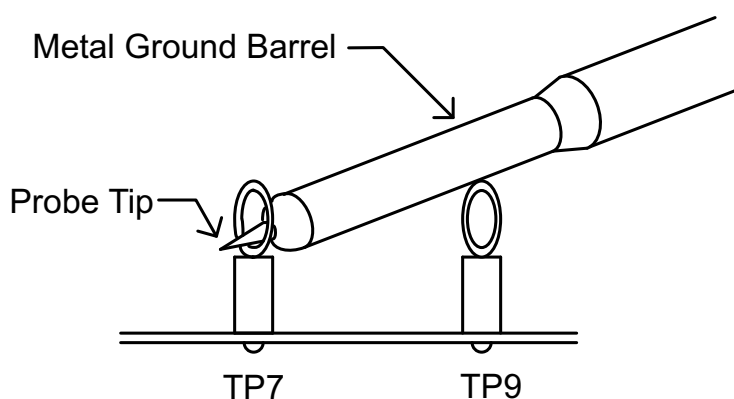


Figure 4-1. TPS548A20EVM-737 Schematic

## 5 Test Setup

### 5.1 Test Equipment

- Oscilloscope** A digital or analog oscilloscope measures the output ripple. The oscilloscope must be set for the following: 1-M $\Omega$  impedance, 20-MHz bandwidth, AC coupling, 1- $\mu$ s per division horizontal resolution, 20-mV per division vertical resolution. Test points TP7 and TP9 measure the output ripple voltage by placing the oscilloscope probe tip through TP7 and holding the ground barrel on TP9 as shown in [Figure 5-1](#). Using a leaded ground connection can induce additional noise due to the large ground loop.
- Voltage Source** The input voltage source  $V_{IN}$  must be a 0 to 14-V variable-DC source capable of supplying 10 ADC. Connect  $V_{IN}$  to J1 as shown in [Figure 5-2](#).
- Multimeters** V1:  $V_{IN}$  at TP1 ( $V_{IN}$ ) and TP4 (GND).  
V2:  $V_{OUT}$  at TP7 ( $V_{OUT}$ ) and TP9 (GND).
- Output Load** The output load must be an electronic constant-resistance-mode load capable of 0 to 15 ADC at 1.2 V.

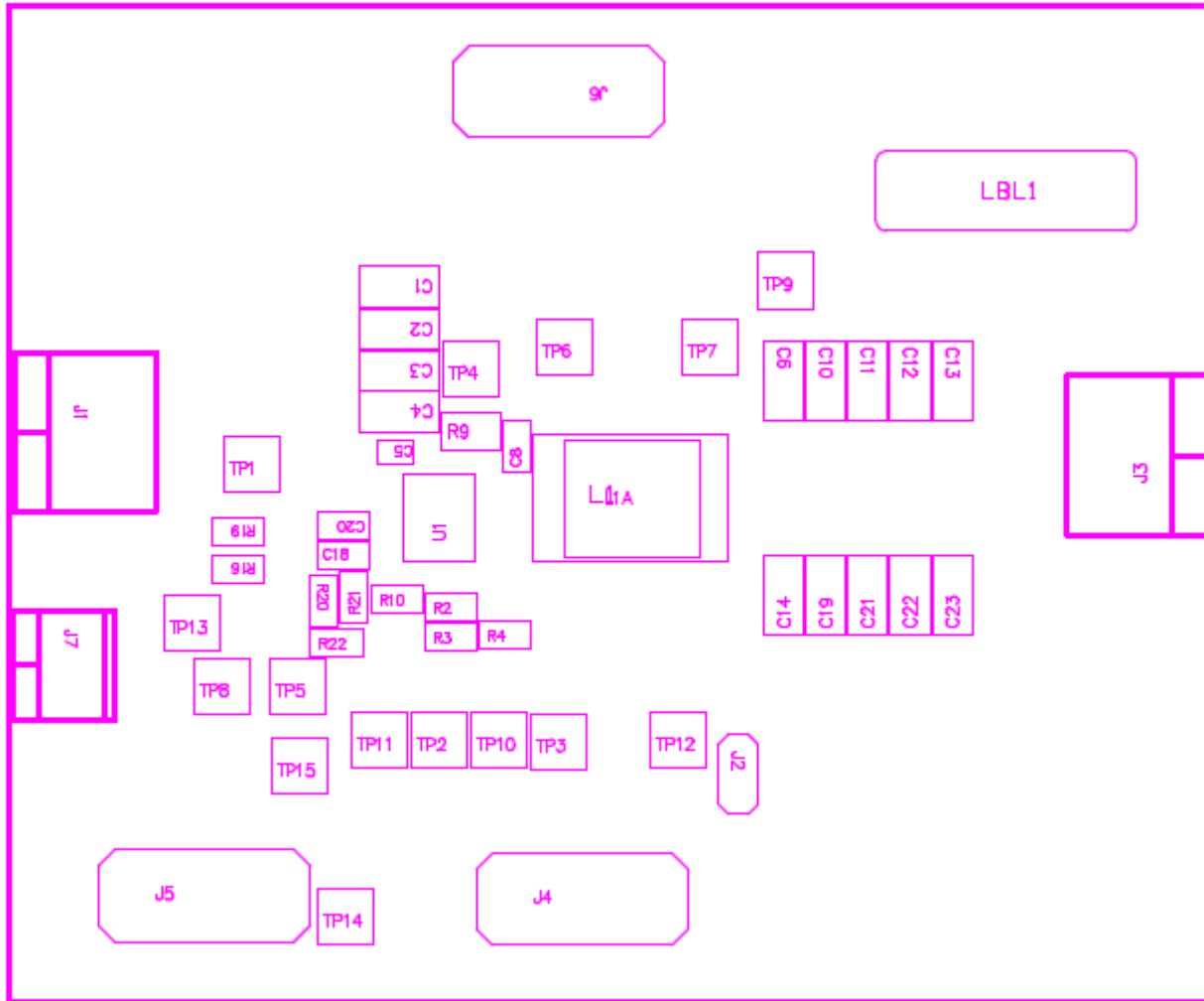


**Figure 5-1. Tip and Barrel Measurement for Output Voltage Ripple**

#### Recommended Wire Gauge:

1.  $V_{IN}$  to J1 (12-V input)
  - The recommended wire size is 1 $\times$  AWG number 14 per input connection, with the total length of wire less than 4 feet (2 feet input, 2 feet return).
2. J3 to LOAD
  - The minimum recommended wire size is 2 $\times$  AWG number 14, with the total length of wire less than 4 feet (2 feet output, 2 feet return).

## 5.2 Recommended Test Setup



**Figure 5-2. TPS548A20EVM-587 Top Layer for Test Setup**

### Input Connections:

1. Prior to connecting the DC input-source, VIN, TI recommends to limit the source current from VIN to 10 A maximum. Ensure that VIN is initially set to 0 V and connected as shown in [Figure 5-2](#).
2. Connect the voltmeter V1 at TP1 (VIN) and TP4 (GND) to measure the input voltage.

### Output Connections:

1. Connect the load to J3 and set the load to constant-resistance-mode to sink 0 ADC before VIN is applied.
2. Connect the voltmeter V2 at TP7 (VOUT) and TP9 (GND) to measure the output voltage.



## 6 Configurations

All Jumper selections must be made prior to applying power to the EVM. Configure this EVM using the following configuration selections.

### 6.1 Switching Frequency Selection

Switching frequency can be changed as shown in [Table 6-1](#).

**Table 6-1. Switching Frequency Selection**

SWITCHING FREQUENCY <sup>(1)</sup> ( $f_{sw}$ ) (kHz)	RESISTOR DIVIDER RATIO ( $R_{DR}$ )	EXAMPLE RF FREQUENCY COMBINATIONS	
		$R_{RF\_H}$ (k $\Omega$ )	$R_{RF\_L}$ (k $\Omega$ )
1000	> 0.557	1	300
850	0.461	180	154
750	0.375	200	120
600	0.297	249	105
500	0.229	240	71.5
400	0.16	249	47.5
300	0.096	255	27
200	< 0.041	270	11.5

(1) Default Setting: 1 MHz.

For different switching frequency setting, please change R3 and R4 as shown in [Table 6-1](#).

### 6.2 Mode Selection

The MODE can be set by J5.

**Table 6-2. Mode Selection**

JUMPER SET TO:	MODE SELECTION
1 to 2 pin shorted	FCCM with 2x RC time constant
3 to 4 pin shorted <sup>(1)</sup>	FCCM <sup>(2)</sup> with 1x RC time constant <sup>(1)</sup>
5 to 6 pin shorted	FCCM <sup>(2)</sup> with 2x RC time constant
7 to 8 pin shorted	Auto-skip mode with 2x RC time constant
9 to 10 pin shorted	Auto-skip mode with 1x RC time constant

(1) Default setting.

(2) The device enters FCCM after PGOOD goes high.

### 6.3 VDD Pin Supply Selection

The controller can be enabled and disabled by J7.

**Table 6-3. Enable Selection**

SET ON CONNECTION	ENABLE SELECTION
R19 = 0 $\Omega$ <sup>(1)</sup>	VDD pin connected to VIN pins <sup>(1)</sup>
R19 = Open	VDD pin disconnected to VIN pins

(1) Default setting: the VDD pin connected to the VIN pins through R19.

For power-up, input J7 with proper voltage. The VDD pin input voltage range is from 4.5 V to 25 V.

## 7 Test Procedure

### 7.1 Line and Load Regulation and Efficiency Measurement Procedure

1. Set up the EVM as described in [Section 5](#) and [Figure 5-2](#).
2. Ensure the load is set to constant-resistance mode and to sink at 0 ADC.
3. Ensure all jumper settings are configured as shown in [Section 6](#).
4. Ensure the jumper provided in the EVM shorts on J2 before VIN is applied.
5. Increase VIN from 0 to 12 V. Use V1 to measure input voltage.
6. Remove the jumper on J2 to enable the controller.
7. Use V2 to measure the VOUT voltage.
8. Vary the load from 0 to 10 ADC, VOUT must remain in load regulation.
9. Vary VIN from 8 to 14 V, VOUT must remain in line regulation.
10. To disable the converter, place the jumper on J2.
11. Decrease the load to 0 A.
12. Decrease VIN to 0 V.

### 7.2 Control-Loop Gain and Phase-Measurement Procedure

The TPS548A20EVM-737 contains a 10- $\Omega$  series resistor in the feedback loop for loop response analysis.

1. Set up the EVM as described in [Section 5](#) and [Figure 5-2](#).
2. Connect the isolation transformer to the test points marked TP5 and TP8.
3. Connect the input-signal amplitude-measurement probe (channel A) to TP10. Connect the output-signal amplitude-measurement probe (channel B) to TP11.
4. Connect the ground lead of channel A and channel B to TP15.
5. Inject around 20 mV or less signal through the isolation transformer.
6. To measure control-loop gain and phase margin, change the frequency from 100 Hz to 1 MHz using a 10-Hz or less post filter.
7. Disconnect the isolation transformer from the bode-plot test points before making other measurements.
  - Signal injection into feedback can interfere with the accuracy of other measurements.

### 7.3 List of Test Points

**Table 7-1. Test Point Functions**

TEST POINTS	NAME	DESCRIPTION
TP1	VIN	Converter input supply voltage
TP2	VREG	LDO voltage
TP3	PGOOD	Power good output
TP4	PGND	Power ground
TP5	CHB	Input B for loop injection
TP6	SW	Switch Node
TP7	VOUT	VOUT terminal +
TP8	CHA	Input A for loop injection
TP9	PGND	Power ground
TP10	RF	RF pin
TP11	TRIP	TRIP pin
TP12	EN	Enable pin
TP13	VDD	VDD pin
TP14	MODE	MODE pin
TP15	AGND	Analog ground

### 7.4 Equipment Shutdown

Follow these steps when shutting down the equipment.

1. Shut down load
2. Shut down VIN

## 8 EVM Assembly Drawing and PCB Layout

The following figures show the design of the TPS548A20EVM-737 printed circuit board (see [Figure 8-1](#), [Figure 8-2](#), [Figure 8-3](#), [Figure 8-4](#), [Figure 8-5](#), [Figure 8-6](#), [Figure 8-7](#), and [Figure 8-8](#)). The EVM has been designed using a six-layer, 2-oz copper-circuit board.

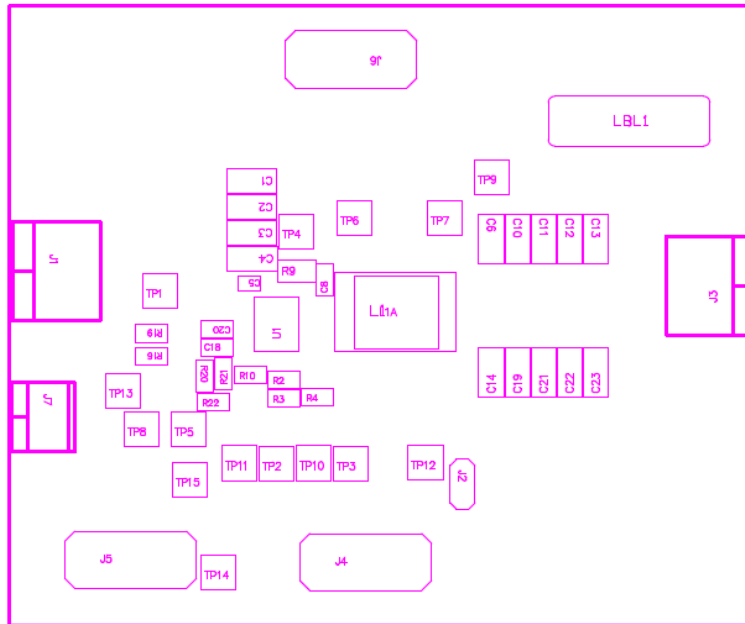


Figure 8-1. TPS548A20EVM-587 Top-Layer Assembly Drawing

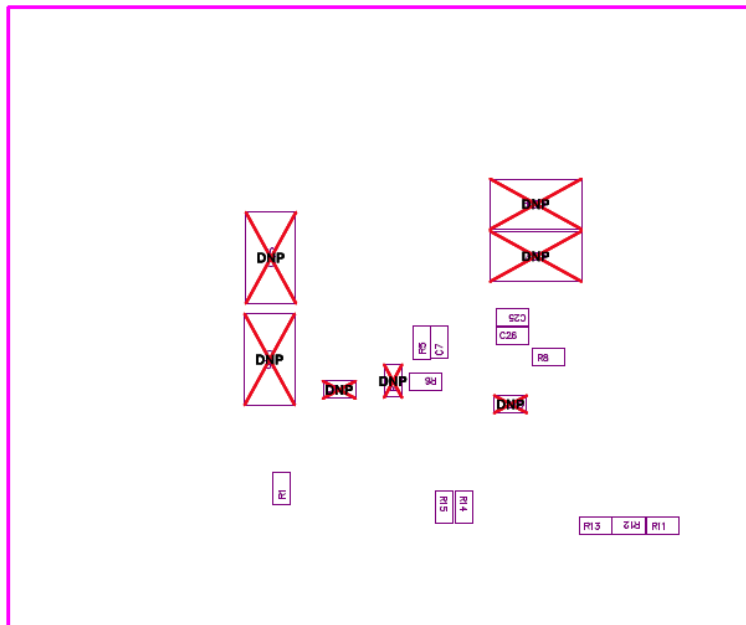
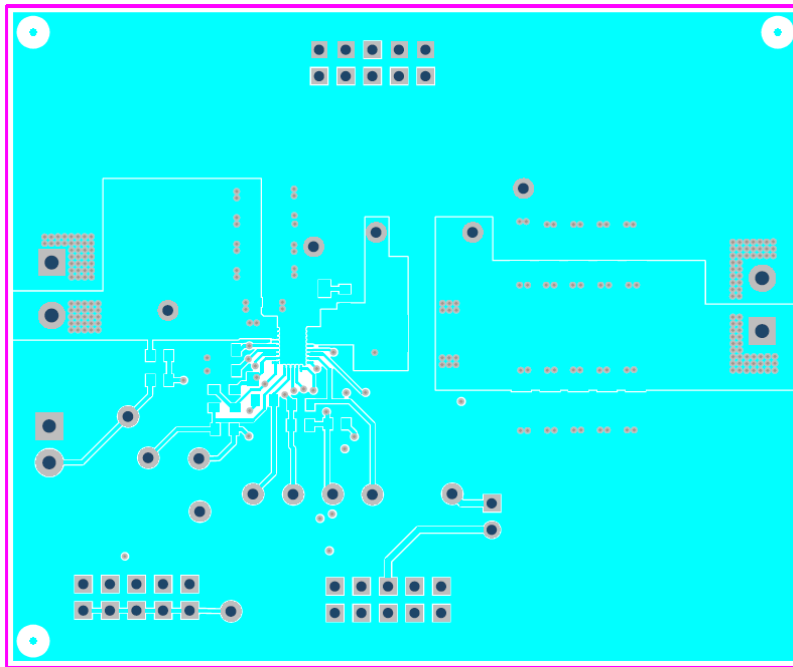
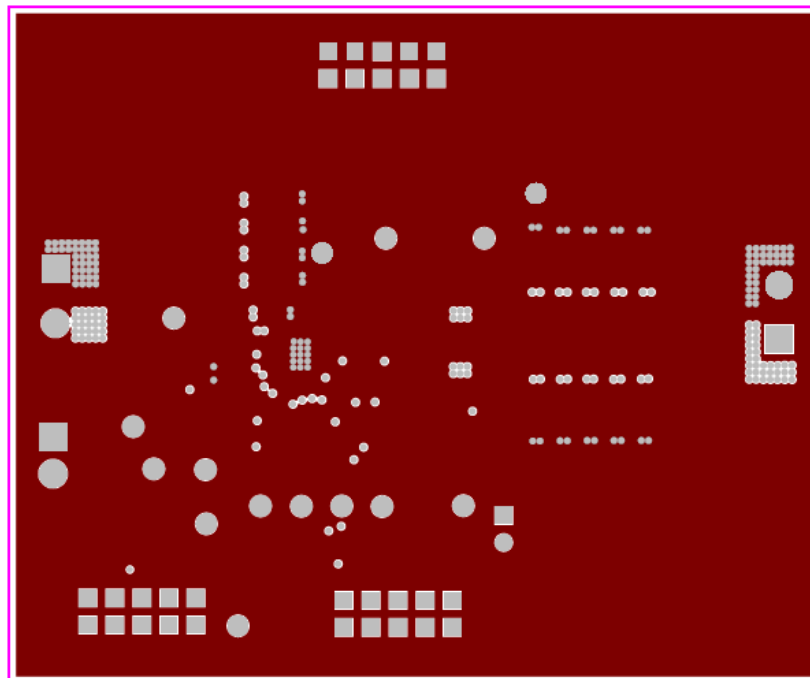


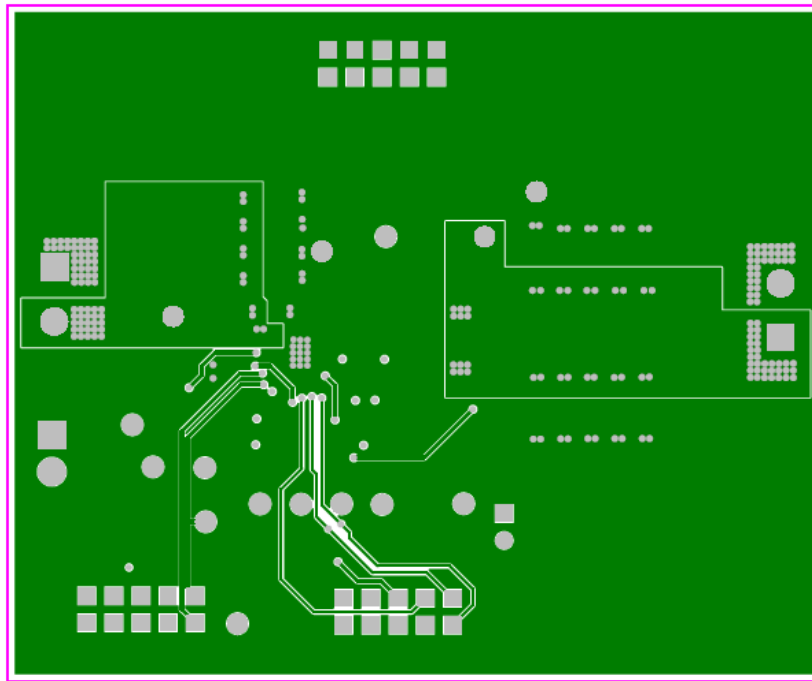
Figure 8-2. TPS548A20EVM-587 Bottom-Layer Assembly Drawing



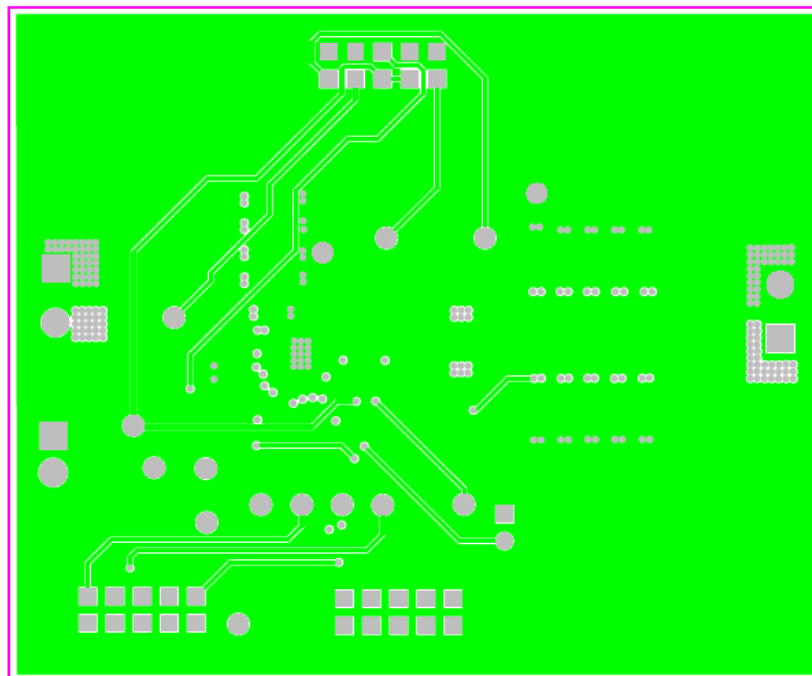
**Figure 8-3. TPS548A20EVM-587 Top Layer, Copper**



**Figure 8-4. TPS548A20EVM-587 Layer Two, Copper**



**Figure 8-5. TPS548A20EVM-587 Layer Three, Copper**



**Figure 8-6. TPS548A20EVM-587 Layer Four, Copper**

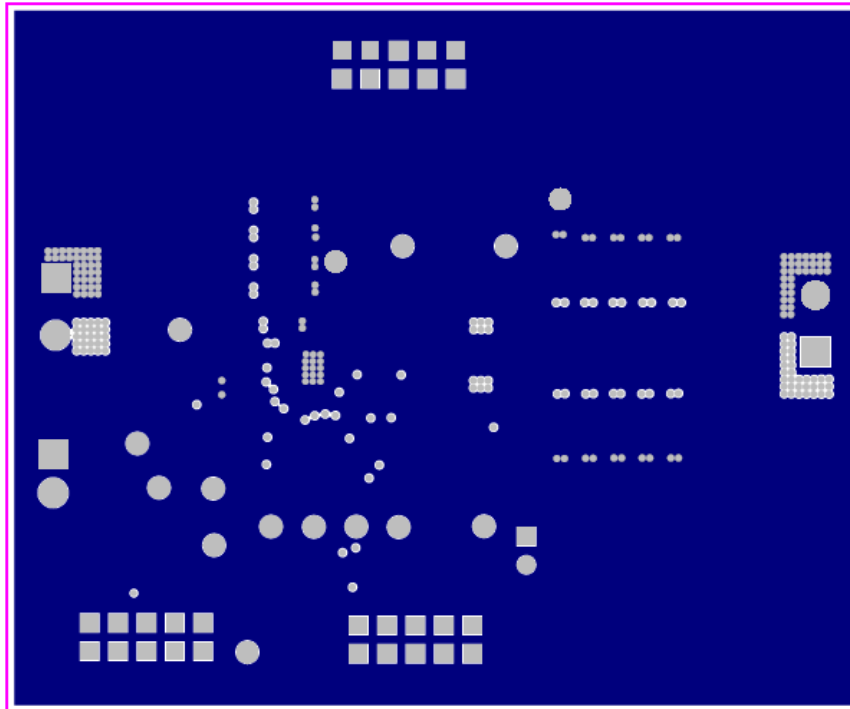


Figure 8-7. TPS548A20EVM-587 Layer Five, Copper

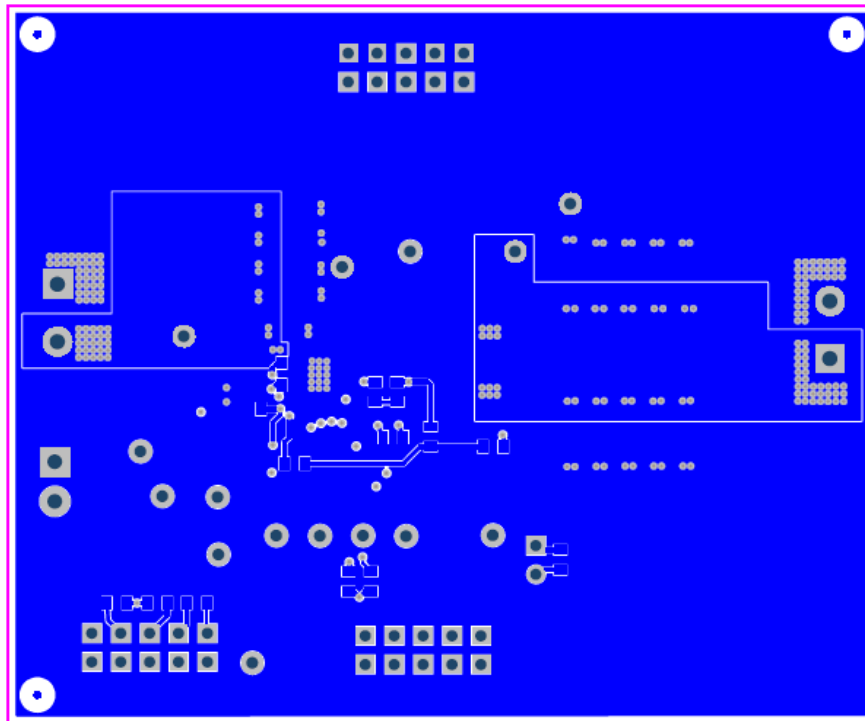


Figure 8-8. TPS548A20EVM-587 Bottom Layer, Copper



## 9 Bill of Materials

**Table 9-1. EVM Components List (Based on the Schematic, See Figure 4-1)**

Designator	Quantity	Value	Description	Package Reference	Part Number	Manufacturer
C1, C2, C3, C4	4	22 $\mu$ F	Capacitor, ceramic, 25 V, X5R, 10%	1206	GRM31CR61E226KE15L	Murata
C5	1	0.1 $\mu$ F	Capacitor, ceramic, 0.1 $\mu$ F 25 V 10% X5R 0402	0402	GRM155R61E104KA87D	Murata
C6, C10, C11, C12, C13, C14, C19, C21, C22, C23	10	22 $\mu$ F	Capacitor, ceramic, 6.3 V, X5R, 20%	1206	GRM31CR60J226KE19L	Murata
C7	1	0.1 $\mu$ F	Capacitor, ceramic, 0.1 $\mu$ F 50 V 10% X7R 0603	0603	GRM188R71H104KA93D	Murata
C8	1	470 pF	Capacitor, ceramic, 470 pF 50 V 10% X7R 0603	0603	GRM188R71H471KA01D	Murata
C9, C17	0	Open	Capacitor, ceramic, 50 V, X7R, 10%	0603	Standard	Standard
C15, C16, C24, C27	0	Open	Capacitor, POSCAP, SMT, 2.5 V, 330 $\mu$ F, 8 m $\Omega$	7343(D)	2R5TPE330M9 or 6TPE330MIL	Sanyo
C18, C20, C25, C26	4	1 $\mu$ F	Capacitor, ceramic, 1 $\mu$ F 16 V 10% X7R 0603	0603	GRM188R71C105KA12J	Murata
FID1, FID2, FID3, FID4, FID5, FID6	0		Fiducial mark. There is nothing to buy or mount.	Fiducial	N/A	N/A
J1, J3	2	ED120/2DS	Terminal Block, 2-pin, 15-A, 5,1 mm	0.4 $\times$ 0.35 inch	ED120/2DS	OST
J2	1	PEC02SAAN	Header, Male 2-pin, 100-mil spacing,	0.1 $\times$ 2 inch	PEC02SAAN	Sullins
J4, J5, J6	3	PEC05DAAN	Header, Male 2 $\times$ 5-pin, 100-mil spacing	0.1 $\times$ 2 $\times$ 5 inch	PEC05DAAN	Sullins
J7	1	ED555/2DS	Terminal Block, 2-pin, 6-A, 3,5 mm	0.27 $\times$ 0.25 inch	ED555/2DS	OST
L1	1	1 $\mu$ H	Inductor, Power chokes SMD	6,6 $\times$ 7,1 mm	PIMB065T-1R0MS	Cyntec
LBL1	1		Thermal transfer printable labels, 0.650 (W) $\times$ 0.2 inch (H) — 10,000 per roll	PCB Label 0.65 (H) $\times$ 0.2 inch (W)	THT-14-423-10	Brady
R1, R2, R14, R15	4	100k	Resistor, 100 k $\Omega$ , 1%, 0.1 W, 0603	0603	CRCW0603100KFKEA	Vishay-Dale
R3	1	1 k $\Omega$	Resistor, 1 k $\Omega$ , 1%, 0.1 W, 0603	0603	CRCW06031K00FKEA	Vishay-Dale
R4	1	300 k $\Omega$	Resistor, 300 k $\Omega$ , 1%, 0.1 W, 0603	0603	RC0603FR-07300KL	Yageo America
R5, R8, R19	3	0	Resistor, 0 $\Omega$ , 5%, 0.1 W, 0603	0603	CRCW0603000Z0EA	Vishay-Dale
R6	1	200 k $\Omega$	Resistor, 200 k $\Omega$ , 1%, 0.1 W, 0603	0603	CRCW0603200KFKEA	Vishay-Dale
R7	0	Open	Resistor, Chip, 1/16 W, 1%	0603	Standard	Standard
R9	1	3.01 $\Omega$	Resistor, 3.01 $\Omega$ , 1%, 0.125 W, 0805	0805	CRCW08053R01FKEA	Vishay-Dale
R10	1	57.6 k $\Omega$	Resistor, 57.6 k $\Omega$ , 1%, 0.1 W, 0603	0603	RC0603FR-0757K6L	Yageo America
R11	1	20.0 k $\Omega$	Resistor, 20.0 k $\Omega$ , 1%, 0.1 W, 0603	0603	CRCW060320K0FKEA	Vishay-Dale
R12, R13	2	150 k $\Omega$	Resistor, 150 k $\Omega$ , 1%, 0.1 W, 0603	0603	CRCW0603150KFKEA	Vishay-Dale
R16	1	1 $\Omega$	Resistor, 1 $\Omega$ , 1%, 0.1 W, 0603	0603	CRCW06031R00FKEA	Vishay-Dale
R20, R21	2	10 k $\Omega$	Resistor, 10 k $\Omega$ , 1%, 0.1 W, 0603	0603	CRCW060310K0FKEA	Vishay-Dale
R22	1	10 $\Omega$	Resistor, 10 $\Omega$ , 1%, 0.1 W, 0603	0603	CRCW060310R0FKEA	Vishay-Dale
TP1, TP2, TP3, TP5, TP6, TP7, TP8, TP10, TP11, TP12, TP13, TP14, TP15	13	5000	Test Point, red, thru hole color keyed	0.1 $\times$ 0.1 inch	5000	Keystone
TP4, TP9	2	5001	Test point, black, thru hole color keyed	0.1 $\times$ 0.1 inch	5001	Keystone
U1	1	TPS548A20RVE	High-performance, 15-A single sync. step-down converter		TPS548A20RVE	TI

## 10 Revision History

NOTE: Page numbers for previous revisions may differ from page numbers in the current version.

<b>Changes from Revision * (December 2015) to Revision A (August 2021)</b>	<b>Page</b>
• Updated the numbering format for tables, figures, and cross-references throughout the document.....	<a href="#">2</a>
• Updated user's guide title.....	<a href="#">2</a>

---

## IMPORTANT NOTICE AND DISCLAIMER

TI PROVIDES TECHNICAL AND RELIABILITY DATA (INCLUDING DATA SHEETS), DESIGN RESOURCES (INCLUDING REFERENCE DESIGNS), APPLICATION OR OTHER DESIGN ADVICE, WEB TOOLS, SAFETY INFORMATION, AND OTHER RESOURCES "AS IS" AND WITH ALL FAULTS, AND DISCLAIMS ALL WARRANTIES, EXPRESS AND IMPLIED, INCLUDING WITHOUT LIMITATION ANY IMPLIED WARRANTIES OF MERCHANTABILITY, FITNESS FOR A PARTICULAR PURPOSE OR NON-INFRINGEMENT OF THIRD PARTY INTELLECTUAL PROPERTY RIGHTS.

These resources are intended for skilled developers designing with TI products. You are solely responsible for (1) selecting the appropriate TI products for your application, (2) designing, validating and testing your application, and (3) ensuring your application meets applicable standards, and any other safety, security, regulatory or other requirements.

These resources are subject to change without notice. TI grants you permission to use these resources only for development of an application that uses the TI products described in the resource. Other reproduction and display of these resources is prohibited. No license is granted to any other TI intellectual property right or to any third party intellectual property right. TI disclaims responsibility for, and you will fully indemnify TI and its representatives against, any claims, damages, costs, losses, and liabilities arising out of your use of these resources.

TI's products are provided subject to [TI's Terms of Sale](#) or other applicable terms available either on [ti.com](http://ti.com) or provided in conjunction with such TI products. TI's provision of these resources does not expand or otherwise alter TI's applicable warranties or warranty disclaimers for TI products.

TI objects to and rejects any additional or different terms you may have proposed.

Mailing Address: Texas Instruments, Post Office Box 655303, Dallas, Texas 75265  
Copyright © 2022, Texas Instruments Incorporated