



ABSTRACT

The TPS92624-Q1 Evaluation Module (EVM) user's guide describes the characteristics of the device and the operation of EVM. A complete schematic diagram, printed-circuit board layout, and bill of materials (BOM) are also included.

Table of Contents

1 Introduction	2
1.1 Features.....	2
1.2 Typical Application.....	2
2 TPS92624-Q1EVM Description	3
2.1 Connector Map.....	3
2.2 Jumper Map.....	4
3 Test Setup	5
4 Schematic, Bill of Materials, and Layout	6
4.1 Schematic.....	6
4.2 Bill of Materials (BOM).....	6
4.3 Layout.....	8

List of Figures

Figure 2-1. TPS92624-Q1EVM board.....	3
Figure 4-1. Schematic.....	6
Figure 4-2. Layout.....	8

List of Tables

Table 2-1. Connector Map.....	3
Table 2-2. Jumper Map.....	4
Table 3-1. TPS92624Q1EVM Parameters.....	5
Table 4-1. Bill of Materials.....	6

Trademarks

All trademarks are the property of their respective owners.

1 Introduction

The TPS92624-Q1EVM helps designers evaluate the operation and performance of the TPS92624-Q1, a linear four-channel LED driver with LED diagnostic for automotive lighting applications. For linear LED drivers used in automotive lighting end equipment, thermal is a big design challenge. TPS92624-Q1 can help designers to easily deal with the challenge and TPS92624-Q1EVM could help validate those features.

1.1 Features

The EVM has the following features:

- LED short and open detection and auto-recover
- Open fault mask during dropout mode
- Thermal sharing with external resistor when supply voltage is high

1.2 Typical Application

The EVM is used in the following applications:

- Automotive exterior rear light: rear lamp, center high mounted stop lamp (CHMSL), side marker
- Automotive exterior small light: door handle, blind spot detection indicator, charging inlet
- Automotive interior light: overhead console, reading lamp
- General-purpose LED driver applications

2 TPS92624-Q1EVM Description

This description section will describe the connectors and jumpers of TPS92624-Q1EVM.

TPS92624-Q1EVM Board

Figure 2-1 displays the TPS92624-Q1EVM board.

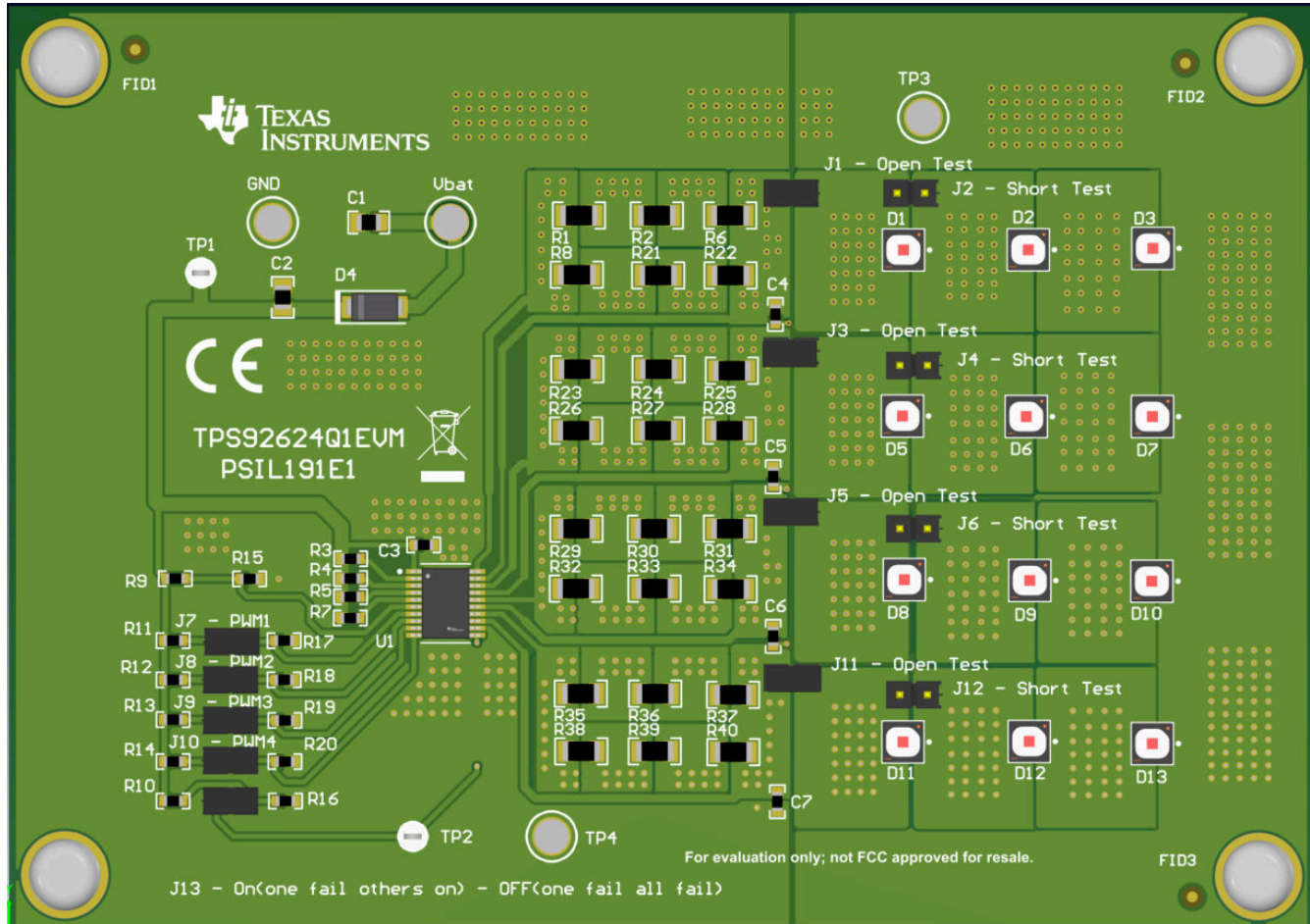


Figure 2-1. TPS92624-Q1EVM board

2.1 Connector Map

The EVM has the following connectors. Table 2-1 shows their functions.

Table 2-1. Connector Map

Connector	Description
Vbat	This connector is the positive input supply voltage.
GND	This connector is TPS92624-Q1 EVM ground.
TP1	Vbat. This connector can show the positive input supply voltage.
TP2	Fault. This connector is the FAULT status output of the LED driver.
TP3	This connector is LED part ground.
TP4	This connector is device part ground.

2.2 Jumper Map

The EVM provides some jumpers for designers to conveniently validate the device. [Table 2-2](#) shows the jumper map.

Table 2-2. Jumper Map

Function	Designator	Attached Function	With Shunt	Without Shunt
Open detect	J1	LED1 open	LED1 string connect to Out1	LED1 string open
	J3	LED2 open	LED2 string connect to Out2	LED2 string open
	J5	LED3 open	LED3 string connect to Out3	LED3 string open
	J11	LED4 open	LED4 string connect to Out4	LED4 string open
Short detect	J2	LED1 string short	Short 3 LEDs in LED1 string	3 LED series in LED1 string
	J4	LED2 string short	Short 3 LEDs in LED2 string	3 LED series in LED2 string
	J6	LED3 string short	Short 3 LEDs in LED3 string	3 LED series in LED3 string
	J12	LED4 string short	Short 3 LEDs in LED4 string	3 LED series in LED4 string
PWM dimming input	J7	PWM1	Enable PWM1 (PWM1 connected to SUPPLY through a resistor)	Disable PWM1 or use external control signal
	J8	PWM2	Enable PWM2 (PWM2 connected to SUPPLY through a resistor)	Disable PWM2 or use external control signal
	J9	PWM3	Enable PWM3 (PWM3 connected to SUPPLY through a resistor)	Disable PWM3 or use external control signal
	J10	PWM4	Enable PWM4 (PWM4 connected to SUPPLY through a resistor)	Disable PWM4 or use external control signal
Fault options	J13	Fault	One fails, others on	One fails, others off

3 Test Setup

Table 3-1 shows the typical parameters for the TPS92624-Q1EVM. The typical input voltage range is from 9 V to 20 V. The full-scale output current of the TPS92624-Q1EVM is 150 mA per channel. Users can adjust the output current by changing the sensing resistor.

Table 3-1. TPS92624Q1EVM Parameters

Parameter	Value
Input voltage (V)	typical: 9-20
Output current per channel (mA)	130
LED per channel	3s1p LED string
R_{sns} (Ω)	1.15
R_{res} (Ω)	86.4

4 Schematic, Bill of Materials, and Layout

4.1 Schematic

Figure 4-1 shows the TPS92624Q1EVM schematic.

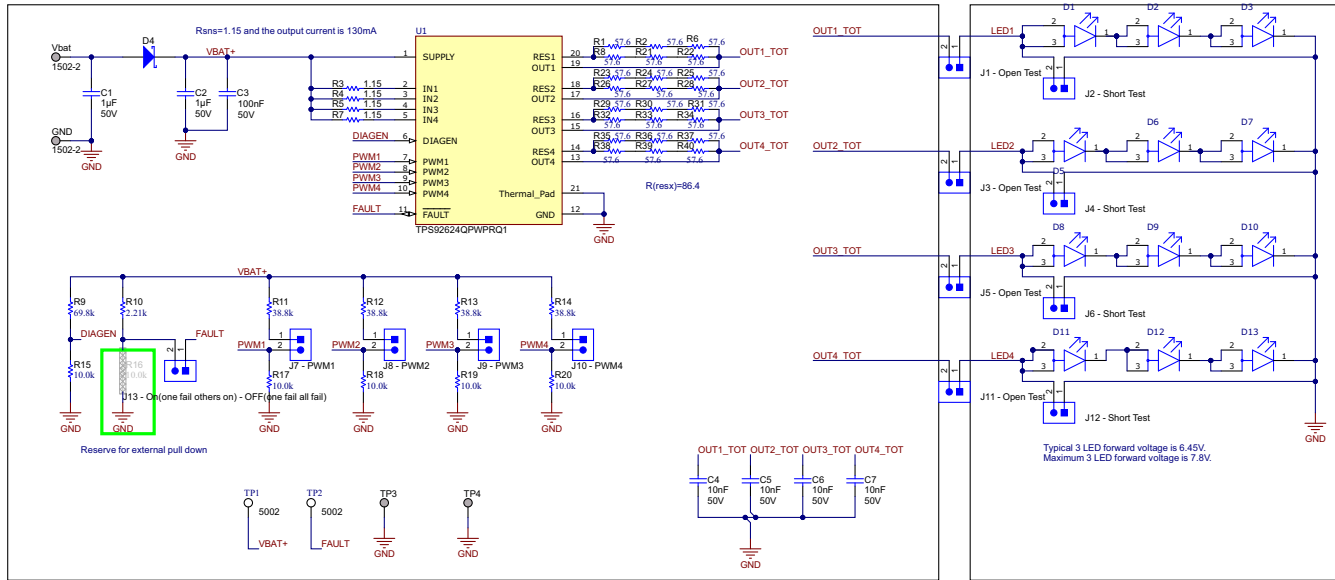


Figure 4-1. Schematic

4.2 Bill of Materials (BOM)

Table 4-1 lists the TPS92624-Q1EVM BOM.

Table 4-1. Bill of Materials

Item Number	Designator	Value	Quantity	Part Number	Manufacturer	Description
1	C1, C2	1 μ F	2	08055C105K4Z2A	AVX	CAP, CERM, 1 μ F, 50 V, +/- 10%, X7R, AEC-Q200 Grade 1, 0805
2	C3	0.1 μ F	1	06035C104K4Z4A	AVX	CAP, CERM, 0.1 μ F, 50 V, +/- 10%, X7R, AEC-Q200 Grade 0, 0603
3	C4, C5, C6, C7	0.01 μ F	4	C1608X7R1H103K080AA	TDK	CAP, CERM, 0.01 μ F, 50 V, +/- 10%, X7R, 0603
4	R1, R2, R6, R8, R21, R22, R23, R24, R25, R26, R27, R28, R29, R30, R31, R32, R33, R34, R35, R36, R37, R38, R39, R40	57.6 ohm	12	CRCW120657R6FKEA	Vishay-Dale	RES, 57.6, 1%, 0.25 W, AEC-Q200 Grade 0, 1206
5	R3, R4, R5, R7	1.15 ohm	4	CRCW06031R15FKEA	Vishay-Dale	RES, 1.15, 1%, 0.1 W, AEC-Q200 Grade 0, 0603
6	R9	69.8 k ohm	1	RT0603BRD0769K8L	Yageo America	RES, 69.8 k, 0.1%, 0.1 W, 0603

Table 4-1. Bill of Materials (continued)

Item Number	Designator	Value	Quantity	Part Number	Manufacturer	Description
7	R10	2.21 k ohm	1	CRCW06032K21FKEA	Vishay-Dale	RES, 2.21 k, 1%, 0.1 W, AEC-Q200 Grade 0, 0603
8	R11, R12, R13, R14	38.8 k ohm	4	RT0603BRD0738K8L	Vishay-Dale	RES, 38.8 k, 0.1%, 0.1 W, 0603
9	R15, R16, R17, R18, R19, R20	10 k ohm	6			
10	SH-J1, SH-J2, SH-J3, SH-J8, SH-J9, SH-J10, SH-J11, SH-J12, SH-J13		9	SPC02SYAN	Sullins Connector Solutions	Shunt, 100mil, Flash Gold, Black
11	D4		1	SK36A-LTPMSCT-ND	Micro Commercial Co	Diode, Schottky, 60 V, 3 A, AEC-Q101, SMA
12	J1 - Open Test, J2 - Short Test, J3 - Open Test, J4 - Short Test, J5 - Open Test, J6 - Short Test, J7 - PWM1, J8 - PWM2, J9 - PWM3, J10 - PWM4, J11 - Open Test, J12 - Short Test, J13 - On(one fail others on) - OFF(one fail all fail)		13	TSW-102-23-T-S	Samtec	Header, 2.54mm, 2x1, Tin, TH
13	U1		1	TPS92624QPWRQ1	Texas Instruments	Four-Channel, Automotive High Side LED Driver

4.3 Layout

Figure 4-2 illustrates the EVM board layout.

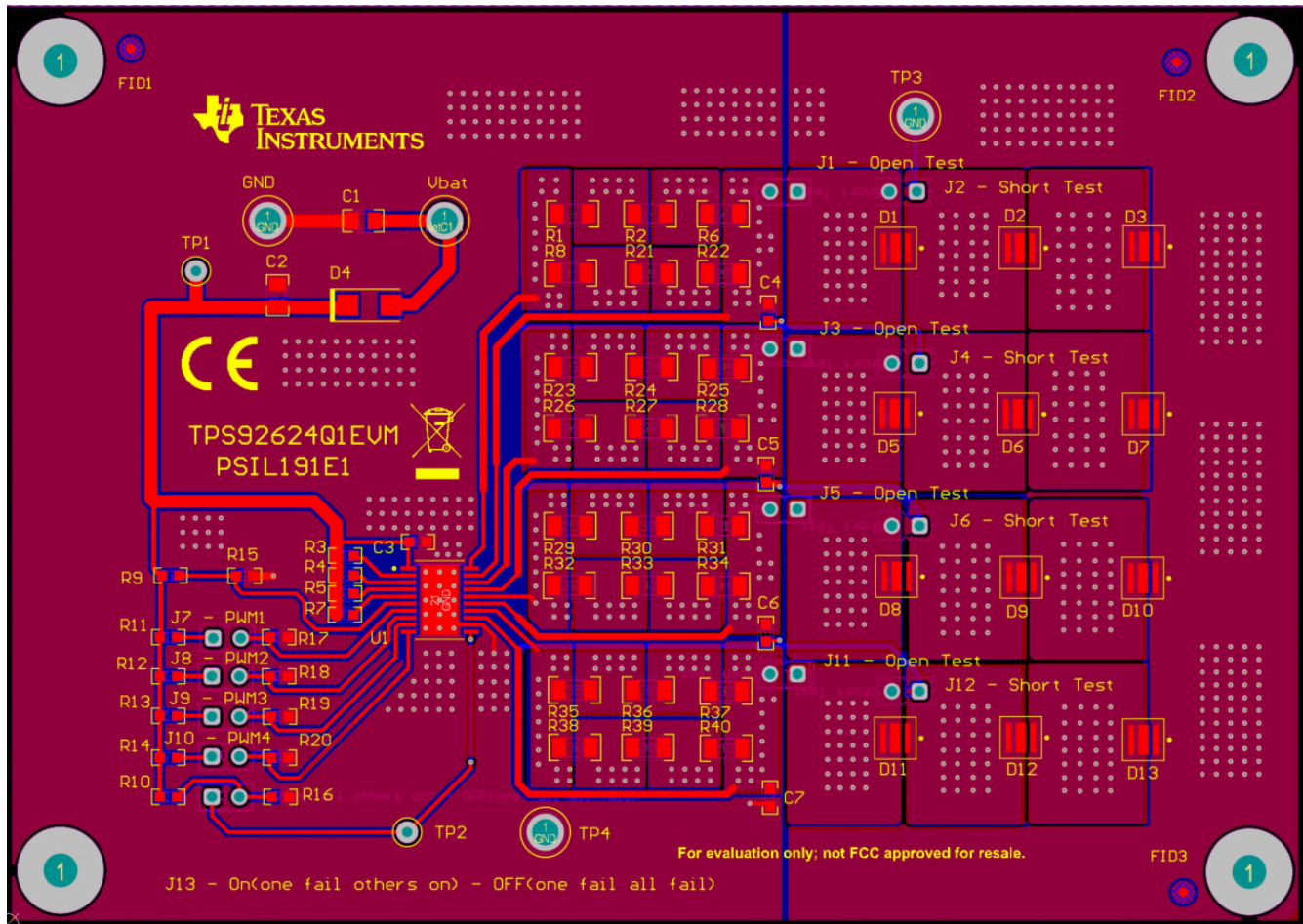


Figure 4-2. Layout

IMPORTANT NOTICE AND DISCLAIMER

TI PROVIDES TECHNICAL AND RELIABILITY DATA (INCLUDING DATA SHEETS), DESIGN RESOURCES (INCLUDING REFERENCE DESIGNS), APPLICATION OR OTHER DESIGN ADVICE, WEB TOOLS, SAFETY INFORMATION, AND OTHER RESOURCES "AS IS" AND WITH ALL FAULTS, AND DISCLAIMS ALL WARRANTIES, EXPRESS AND IMPLIED, INCLUDING WITHOUT LIMITATION ANY IMPLIED WARRANTIES OF MERCHANTABILITY, FITNESS FOR A PARTICULAR PURPOSE OR NON-INFRINGEMENT OF THIRD PARTY INTELLECTUAL PROPERTY RIGHTS.

These resources are intended for skilled developers designing with TI products. You are solely responsible for (1) selecting the appropriate TI products for your application, (2) designing, validating and testing your application, and (3) ensuring your application meets applicable standards, and any other safety, security, regulatory or other requirements.

These resources are subject to change without notice. TI grants you permission to use these resources only for development of an application that uses the TI products described in the resource. Other reproduction and display of these resources is prohibited. No license is granted to any other TI intellectual property right or to any third party intellectual property right. TI disclaims responsibility for, and you will fully indemnify TI and its representatives against, any claims, damages, costs, losses, and liabilities arising out of your use of these resources.

TI's products are provided subject to [TI's Terms of Sale](#) or other applicable terms available either on ti.com or provided in conjunction with such TI products. TI's provision of these resources does not expand or otherwise alter TI's applicable warranties or warranty disclaimers for TI products.

TI objects to and rejects any additional or different terms you may have proposed.

Mailing Address: Texas Instruments, Post Office Box 655303, Dallas, Texas 75265
Copyright © 2022, Texas Instruments Incorporated