

Building Your Own Battery Simulator

RushilKK

ABSTRACT

Use a power amplifier circuit with TI™ single-cell Li-ion battery chargers to quickly characterize their charge profile. With an $R_{IN} \times C_{IN}$ time constant at its input, the output of the power amplifier simulates a battery charging. The power amplifier both sources and sinks current. One can characterize the entire charging profile of the charger by tying the output of the battery charger to the power amplifier output.

Contents

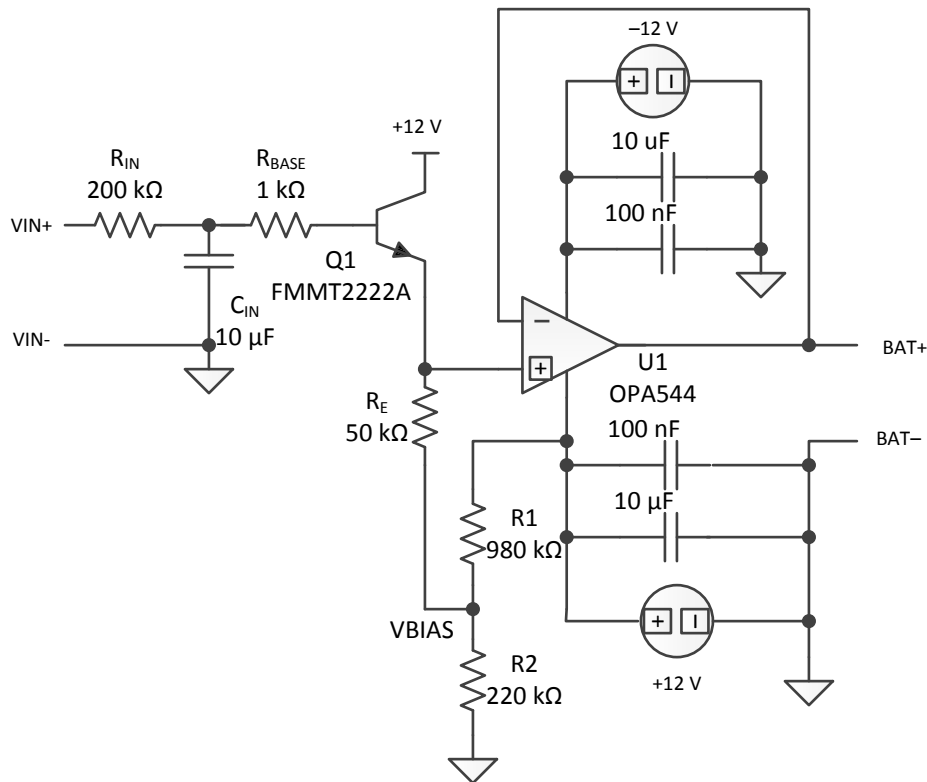
1	Operating Principle of the Circuit	1
2	Explanation of the Circuit	2
	2.1 Stage One	2
	2.2 Stage Two	2
	2.3 Stage Three	3
3	Test Procedure	3
4	Test Results	4
	4.1 bq24090 Charger With ICHG of 1 A, Battery Simulator $R_{IN} \times C_{IN}$ Time Constant of 2 s	4
	4.2 bq24157 Charger With ICHG of 850 mA, Battery Regulation Voltage 4.2 V, Battery Simulator Time Constant of 2 s	4
5	Conclusion	4

List of Figures

1	Battery Simulator Circuit	2
2	Charge Profile Obtained Using the Battery Simulator Circuit With bq24090 Charger	4
3	Charge Profile Obtained Using Battery Simulator Circuit With bq24157 Charger.....	4

1 Operating Principle of the Circuit

Batteries are rated in mAHrs. A 2-A battery charger requires approximately one hour to charge a 2000-mAHr battery, longer when including the effects of the connector resistance and the internal resistance of the battery. It is inefficient to evaluate charger performance by waiting one hour to charge and additional time to discharge the battery for additional testing. This application note explains how to make a circuit that can provide an observably slow output dv/dt , while sinking the entire 2-A charge current that the charger supplies. [Figure 1](#) shows the power operation amplifier and additional circuitry needed to make the battery simulator.


Figure 1. Battery Simulator Circuit

2 Explanation of the Circuit

2.1 Stage One

The first stage of the circuit comprises a charging circuit of $R_{IN} \times C_{IN}$. In [Figure 1](#), the values chosen are $R_{IN} = 200 \text{ k}\Omega$ and $C_{IN} = 10 \text{ }\mu\text{F}$, giving a time constant of $R_{IN} \times C_{IN} = 2 \text{ s}$. Users can change these values for their convenience. For slower charging, increase the value of $R_{IN} \times C_{IN}$, and for faster charging, decrease the value of $R_{IN} \times C_{IN}$.

2.2 Stage Two

The voltage developed across the capacitor C_{IN} is fed to an emitter follower. NPN bipolar transistor FMMT2222A makes the follower. The collector terminal of the transistor connects to the +12-V supply. The emitter connects through an emitter resistance R_E of 50 k Ω to create a biasing voltage, VBIAS. This bias voltage simulates the internal protection mechanism of most Lilon batteries to ensure that the battery voltage never falls below a certain level (usually 2 to 2.5 V). The user can adjust the VBIAS voltage through the resistor divider formed by R1 and R2.

$$V_{BIAS} = 12 \times \frac{R_2}{R_1 + R_2} \quad (1)$$

Change the value of VBIAS by varying R2. R2 can be a potentiometer to facilitate changing the bias voltage.

NOTE: A Zener diode and series resistor with breakdown voltage of about 4.4 V (for example PMLL5230B) can be connected from the junction of R1 and R2 to ground. This connection prevents the voltage at BAT+ from exceeding the maximum voltage of the battery charger.

2.3 Stage Three

The output of the source follower is fed to the non-inverting terminal of the OPA544 unity-gain, stable-power amplifier, which can comfortably source and sink currents of up to 4 A. This unity-gain configured OPA544 amplifier is supplied with +12 V and –12 V. The output of the OPA544 is connected to the BAT+ terminal of the battery charger.

3 Test Procedure

1. Power the OP-AMP circuit with +12 V and –12 V. The output voltage must be almost equal to VBIAS.
2. Apply DC voltage between the VIN+ and VIN– terminals. For the example circuit, an input DC voltage of about 5.5 V is required in order to get a final output voltage of 4.3 V. The user may have to find the exact value of VIN by trial and error, to provide the exact final output voltage that the user desires. VIN changes slightly according to the choice of transistor and other components.
3. When the input voltage is applied, the voltage across capacitor C_{IN} starts rising from 0 V. The output voltage should not follow the voltage across capacitor C_{IN} , until it exceeds VBIAS (plus voltage across base-emitter junction).
4. After the voltage across the capacitor does exceed VBIAS (plus voltage across base-emitter junction), the output voltage BAT+ follows C_{IN} up to the final output voltage.
5. Connect the BAT+ and BAT– terminals to a battery charger to observe the charge current with an oscilloscope and the behavior of the charger at different battery voltages.

4 Test Results

4.1 bq24090 Charger With ICHG of 1 A, Battery Simulator $R_{IN} \times C_{IN}$ Time Constant of 2 s

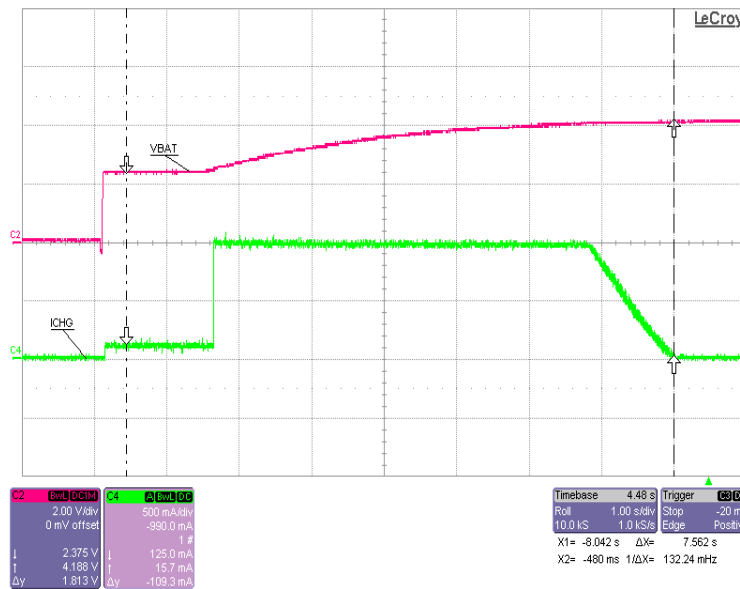


Figure 2. Charge Profile Obtained Using the Battery Simulator Circuit With bq24090 Charger

4.2 bq24157 Charger With ICHG of 850 mA, Battery Regulation Voltage 4.2 V, Battery Simulator Time Constant of 2 s

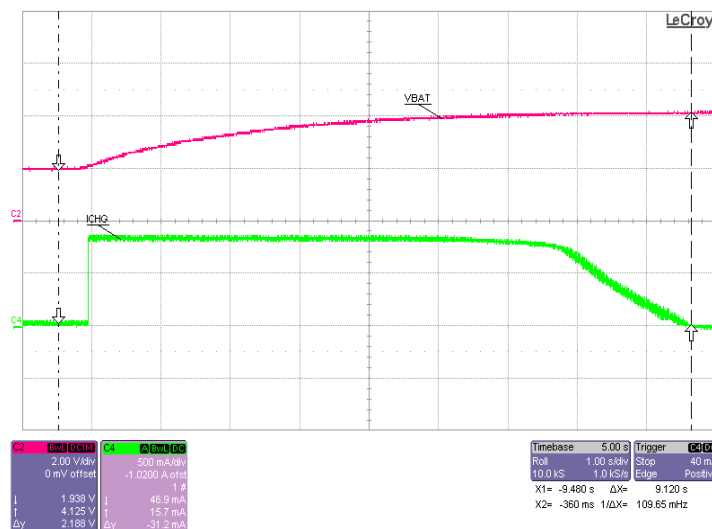


Figure 3. Charge Profile Obtained Using Battery Simulator Circuit With bq24157 Charger

5 Conclusion

Use the circuit described in this application note to create the charge profile for single-cell battery chargers, as shown in the previous examples.

IMPORTANT NOTICE

Texas Instruments Incorporated and its subsidiaries (TI) reserve the right to make corrections, enhancements, improvements and other changes to its semiconductor products and services per JESD46, latest issue, and to discontinue any product or service per JESD48, latest issue. Buyers should obtain the latest relevant information before placing orders and should verify that such information is current and complete. All semiconductor products (also referred to herein as "components") are sold subject to TI's terms and conditions of sale supplied at the time of order acknowledgment.

TI warrants performance of its components to the specifications applicable at the time of sale, in accordance with the warranty in TI's terms and conditions of sale of semiconductor products. Testing and other quality control techniques are used to the extent TI deems necessary to support this warranty. Except where mandated by applicable law, testing of all parameters of each component is not necessarily performed.

TI assumes no liability for applications assistance or the design of Buyers' products. Buyers are responsible for their products and applications using TI components. To minimize the risks associated with Buyers' products and applications, Buyers should provide adequate design and operating safeguards.

TI does not warrant or represent that any license, either express or implied, is granted under any patent right, copyright, mask work right, or other intellectual property right relating to any combination, machine, or process in which TI components or services are used. Information published by TI regarding third-party products or services does not constitute a license to use such products or services or a warranty or endorsement thereof. Use of such information may require a license from a third party under the patents or other intellectual property of the third party, or a license from TI under the patents or other intellectual property of TI.

Reproduction of significant portions of TI information in TI data books or data sheets is permissible only if reproduction is without alteration and is accompanied by all associated warranties, conditions, limitations, and notices. TI is not responsible or liable for such altered documentation. Information of third parties may be subject to additional restrictions.

Resale of TI components or services with statements different from or beyond the parameters stated by TI for that component or service voids all express and any implied warranties for the associated TI component or service and is an unfair and deceptive business practice. TI is not responsible or liable for any such statements.

Buyer acknowledges and agrees that it is solely responsible for compliance with all legal, regulatory and safety-related requirements concerning its products, and any use of TI components in its applications, notwithstanding any applications-related information or support that may be provided by TI. Buyer represents and agrees that it has all the necessary expertise to create and implement safeguards which anticipate dangerous consequences of failures, monitor failures and their consequences, lessen the likelihood of failures that might cause harm and take appropriate remedial actions. Buyer will fully indemnify TI and its representatives against any damages arising out of the use of any TI components in safety-critical applications.

In some cases, TI components may be promoted specifically to facilitate safety-related applications. With such components, TI's goal is to help enable customers to design and create their own end-product solutions that meet applicable functional safety standards and requirements. Nonetheless, such components are subject to these terms.

No TI components are authorized for use in FDA Class III (or similar life-critical medical equipment) unless authorized officers of the parties have executed a special agreement specifically governing such use.

Only those TI components which TI has specifically designated as military grade or "enhanced plastic" are designed and intended for use in military/aerospace applications or environments. Buyer acknowledges and agrees that any military or aerospace use of TI components which have **not** been so designated is solely at the Buyer's risk, and that Buyer is solely responsible for compliance with all legal and regulatory requirements in connection with such use.

TI has specifically designated certain components as meeting ISO/TS16949 requirements, mainly for automotive use. In any case of use of non-designated products, TI will not be responsible for any failure to meet ISO/TS16949.

Products

Audio	www.ti.com/audio
Amplifiers	amplifier.ti.com
Data Converters	dataconverter.ti.com
DLP® Products	www.dlp.com
DSP	dsp.ti.com
Clocks and Timers	www.ti.com/clocks
Interface	interface.ti.com
Logic	logic.ti.com
Power Mgmt	power.ti.com
Microcontrollers	microcontroller.ti.com
RFID	www.ti-rfid.com
OMAP Applications Processors	www.ti.com/omap
Wireless Connectivity	www.ti.com/wirelessconnectivity

Applications

Automotive and Transportation	www.ti.com/automotive
Communications and Telecom	www.ti.com/communications
Computers and Peripherals	www.ti.com/computers
Consumer Electronics	www.ti.com/consumer-apps
Energy and Lighting	www.ti.com/energy
Industrial	www.ti.com/industrial
Medical	www.ti.com/medical
Security	www.ti.com/security
Space, Avionics and Defense	www.ti.com/space-avionics-defense
Video and Imaging	www.ti.com/video

TI E2E Community

e2e.ti.com