

TPS62175 Buck Converter Evaluation Module User's Guide



ABSTRACT

This user's guide describes the characteristics, operation, and use of the Texas Instruments TPS62175 evaluation module (EVM). This EVM is designed to help the user easily evaluate and test the operation and functionality of the TPS62175. The EVM converts a 4.75-V to 28-V input voltage to a regulated 3.3-V output voltage that delivers 500 mA. This user's guide includes setup instructions for the hardware, a printed-circuit board layout for the EVM, a schematic diagram, a bill of materials, and test results for the EVM.

Table of Contents

| | |
|--|----|
| 1 Introduction | 2 |
| 1.1 Background..... | 2 |
| 1.2 Performance Specification..... | 3 |
| 1.3 Modifications..... | 3 |
| 2 Setup | 5 |
| 2.1 Input/Output Connector Descriptions..... | 5 |
| 2.2 Setup..... | 5 |
| 3 TPS62175EVM-098 Test Results | 6 |
| 4 Board Layout | 7 |
| 5 Schematic and Bill of Materials | 11 |
| 5.1 Schematic..... | 11 |
| 5.2 Bill of Materials..... | 12 |
| 6 Revision History | 12 |

List of Figures

| | |
|--|----|
| Figure 1-1. Loop Response Measurement Modification..... | 4 |
| Figure 3-1. Thermal Performance ($V_{IN} = 12\text{ V}$, Load = 500 mA)..... | 6 |
| Figure 4-1. Assembly Layer..... | 7 |
| Figure 4-2. Top Silk Layer..... | 8 |
| Figure 4-3. Top Layer..... | 9 |
| Figure 4-4. Bottom Layer..... | 10 |
| Figure 5-1. TPS62175EVM-098 Schematic..... | 11 |

List of Tables

| | |
|---|----|
| Table 1-1. Performance Specification Summary..... | 3 |
| Table 5-1. TPS62175EVM-098 Bill of Materials..... | 12 |

1 Introduction

The TPS62175 is a 500-mA, synchronous, step-down converter in a 2x3-mm, 10-pin WSON package. Both fixed and adjustable output voltage units are available.

1.1 Background

The TPS62175EVM-098 (PWR098-001) uses the TPS62175 adjustable version and is set to a 3.3-V output. The EVM operates with full-rated performance with an input voltage between 4.75 V and 28 V.

1.2 Performance Specification

Table 1-1 provides a summary of the TPS62175EVM-098 performance specifications. All specifications are given for an ambient temperature of 25°C.

Table 1-1. Performance Specification Summary

| Specification | Test Conditions | Min | Typ | Max | Unit |
|-----------------------|--|------|-------|------|------|
| Input Voltage | | 4.75 | | 28 | V |
| Output Voltage | DC setpoint; does not include voltage ripple | 3.27 | 3.33 | 3.39 | V |
| Output Current | SLEEP = HIGH (OFF) | 0 | | 500 | mA |
| Peak Efficiency | VIN = 4.75 V | | 92.2% | | |
| Soft-Start Time | Ramp Time of VOUT | | 330 | | μs |
| Soft-Start Delay Time | Time from HIGH EN to Start of VOUT Ramp | | 1 | | ms |

1.3 Modifications

The printed-circuit board (PCB) for this EVM is designed to accommodate both the fixed and adjustable voltage versions of this integrated circuit (IC). Additional input and output capacitors can also be added. Finally, the loop response of the IC can be measured.

1.3.1 Fixed Output Voltage Operation

U1 can be replaced with the fixed-voltage version of the IC for evaluation. For fixed-voltage version operation, replace R2 with a 0-Ω resistor and remove R1.

1.3.2 Input and Output Capacitors

C3 is provided for an additional input capacitor. This capacitor is not required for proper operation but can be used to reduce the input voltage ripple.

C4 and C6 are provided for additional output capacitors. These capacitors are not required for proper operation but can be used to reduce the output voltage ripple and to improve the load transient response. The total output capacitance must remain within the recommended range in the data sheet for proper operation.

1.3.3 Loop Response Measurement

The loop response of the TPS62175EVM-098 can be measured with two simple changes to the circuitry. First, install a 10-Ω resistor across the pads in the middle of the back of the PCB. The pads are spaced to allow installation of 0805- or 0603-sized resistors. Second, cut the short section of trace between the via on the VOS pin and the output capacitor C2. This change is shown in Figure 1-1. With these changes, an ac signal (10-mV, peak-to-peak amplitude recommended) can be injected into the control loop across the added resistor.

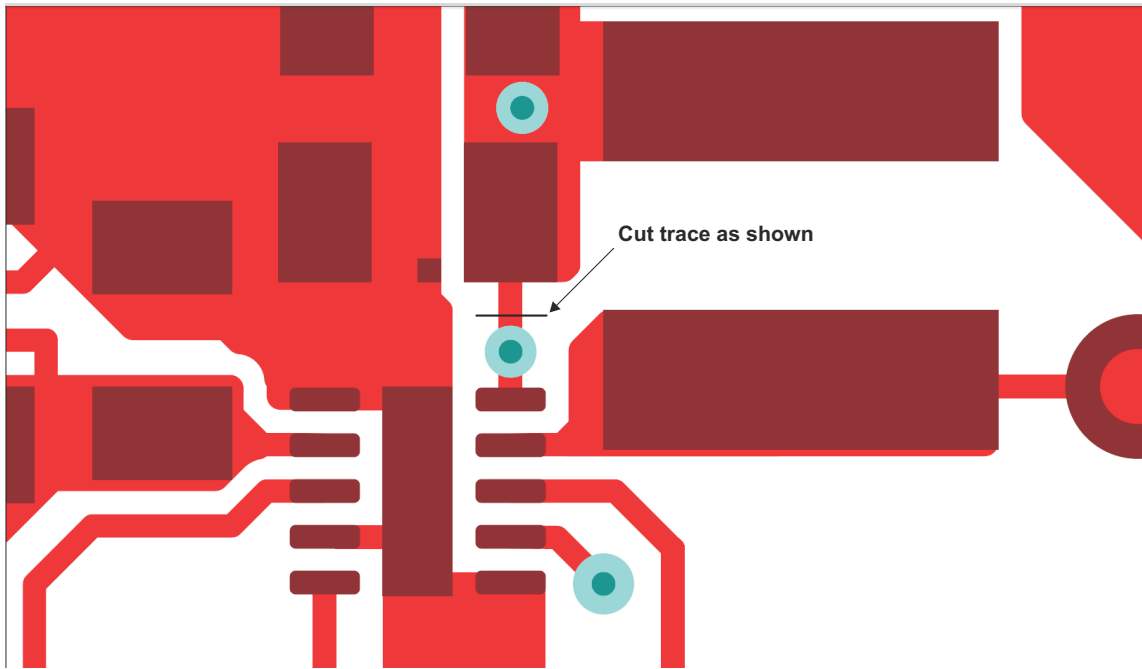


Figure 1-1. Loop Response Measurement Modification

2 Setup

This section describes how to properly use the TPS62175EVM-098.

2.1 Input/Output Connector Descriptions

| | |
|--------------------------------|--|
| J1 – VIN | Positive input connection from the input supply for the EVM. |
| J2 – S+/S- | Input voltage sense connections. Measure the input voltage at this point. |
| J3 – GND | Return connection from the input supply for the EVM. |
| J4 – VOUT | Output voltage connection. |
| J5 – S+/S- | Output voltage sense connections. Measure the output voltage at this point. |
| J6 – GND | Output return connection. |
| J7 – PG/GND | The PG output appears on pin 1 of this header with a convenient ground on pin 2. |
| JP1 – EN | EN pin input jumper. Place the supplied jumper across ON and EN to turn on the IC. Place the jumper across OFF and EN to turn off the IC. |
| JP2 – SLEEP | SLEEP pin input jumper. Place the supplied jumper across ON and SLEEP to activate SLEEP mode. Place the jumper across OFF and SLEEP to activate normal mode. |
| JP3 – PG Pullup Voltage | PG pin pullup voltage jumper. Place the supplied jumper on JP3 to connect the PG pin pullup resistor to Vout. Alternatively, the jumper can be removed and a different voltage can be supplied on pin 1 to pull up the PG pin to a different level. This externally applied voltage must remain below 7 V. |

2.2 Setup

To operate the EVM, set jumpers JP1 through JP3 to the desired positions per [Section 2.1](#). Connect the input supply to J1 and J3 and connect the load to J4 and J6.

3 TPS62175EVM-098 Test Results

The TPS62175EVM-098 was used to take the data in the TPS62175 data sheet, [SLVSB35](#). See the device data sheet for the performance of this EVM.

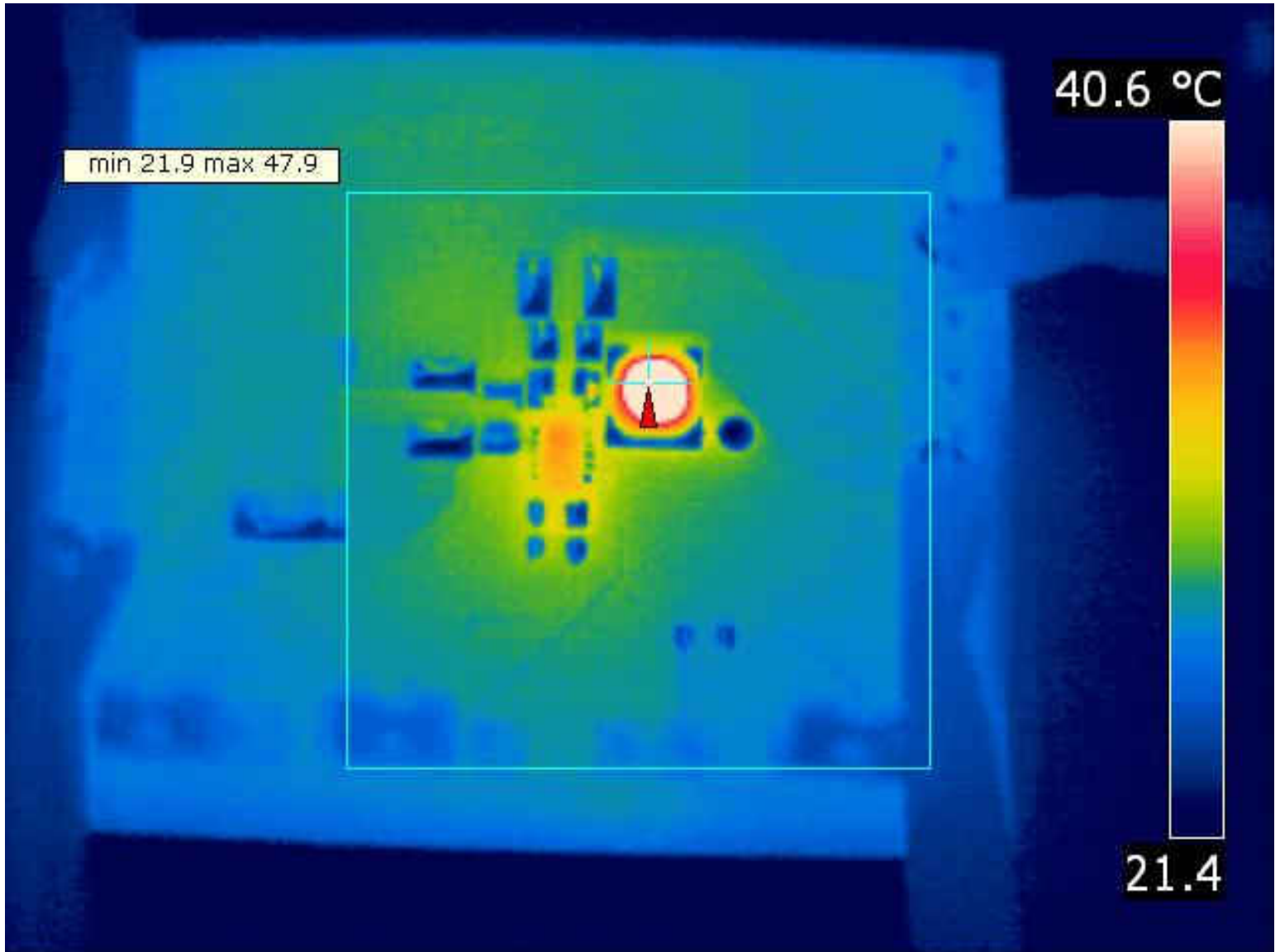


Figure 3-1. Thermal Performance ($V_{IN} = 12\text{ V}$, Load = 500 mA)

4 Board Layout

This section provides the TPS62175EVM-098 board layout and illustrations. The gerbers are available on the EVM product page: [TPS62175EVM-098](http://www.ti.com/tps62175evm-098)

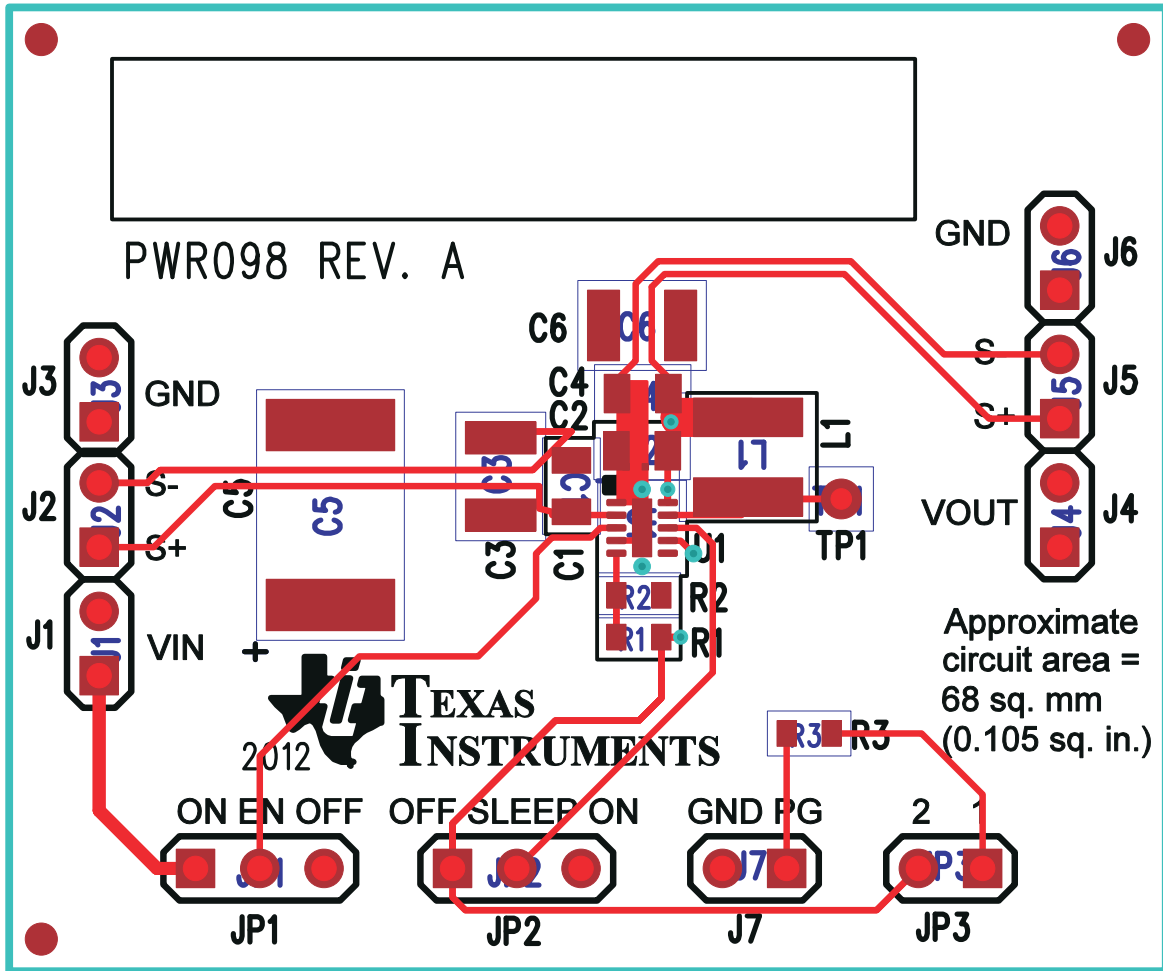


Figure 4-1. Assembly Layer

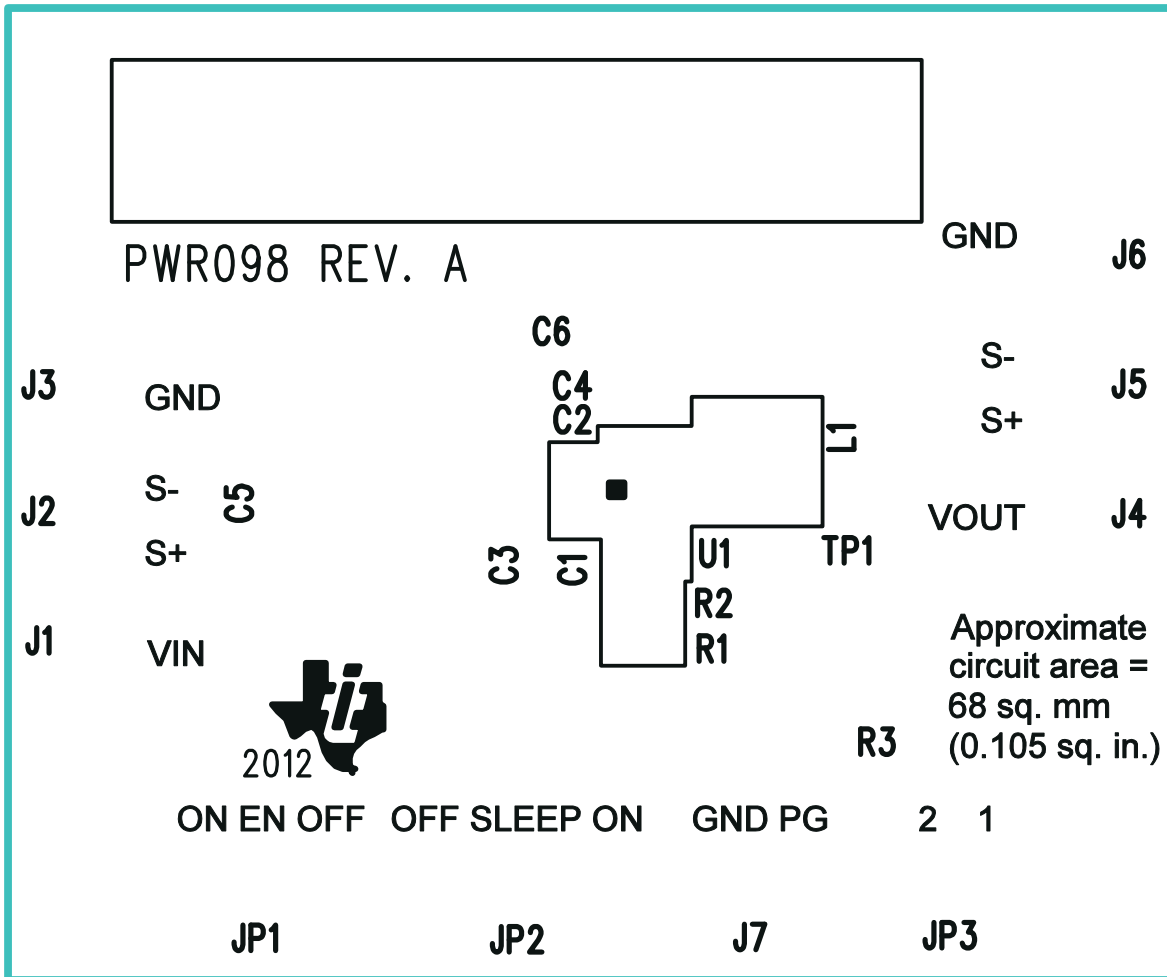


Figure 4-2. Top Silk Layer

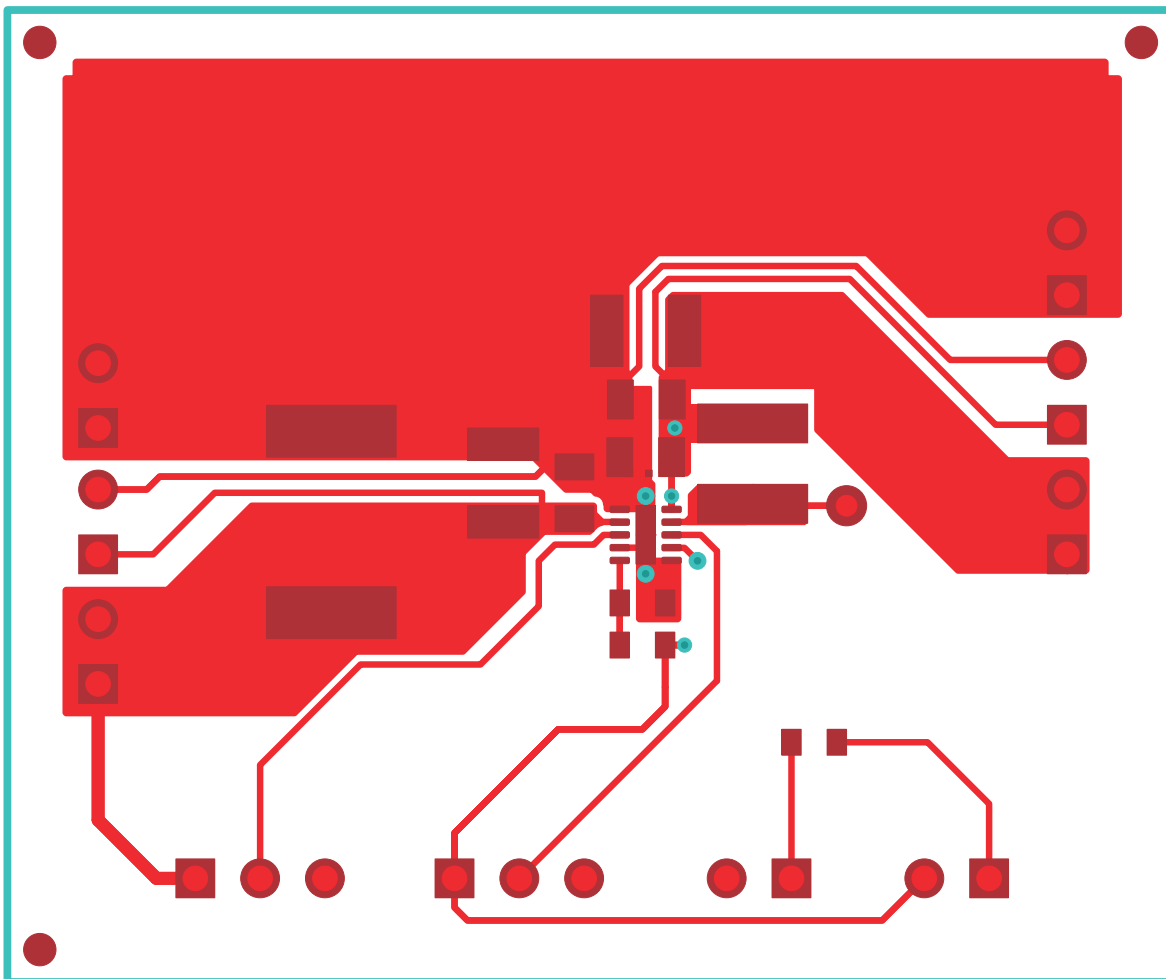


Figure 4-3. Top Layer

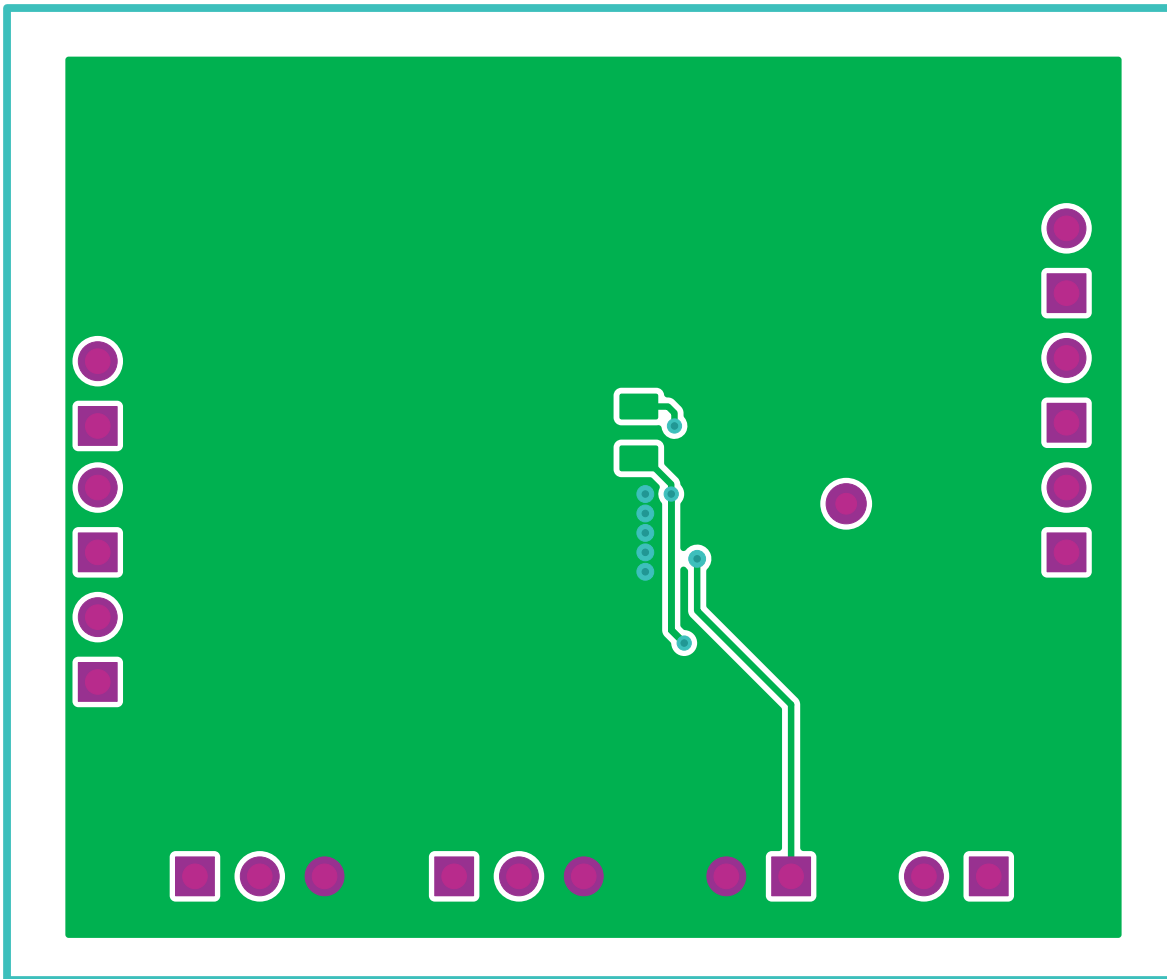


Figure 4-4. Bottom Layer

5 Schematic and Bill of Materials

This section provides the TPS62175EVM-098 schematic and bill of materials.

5.1 Schematic

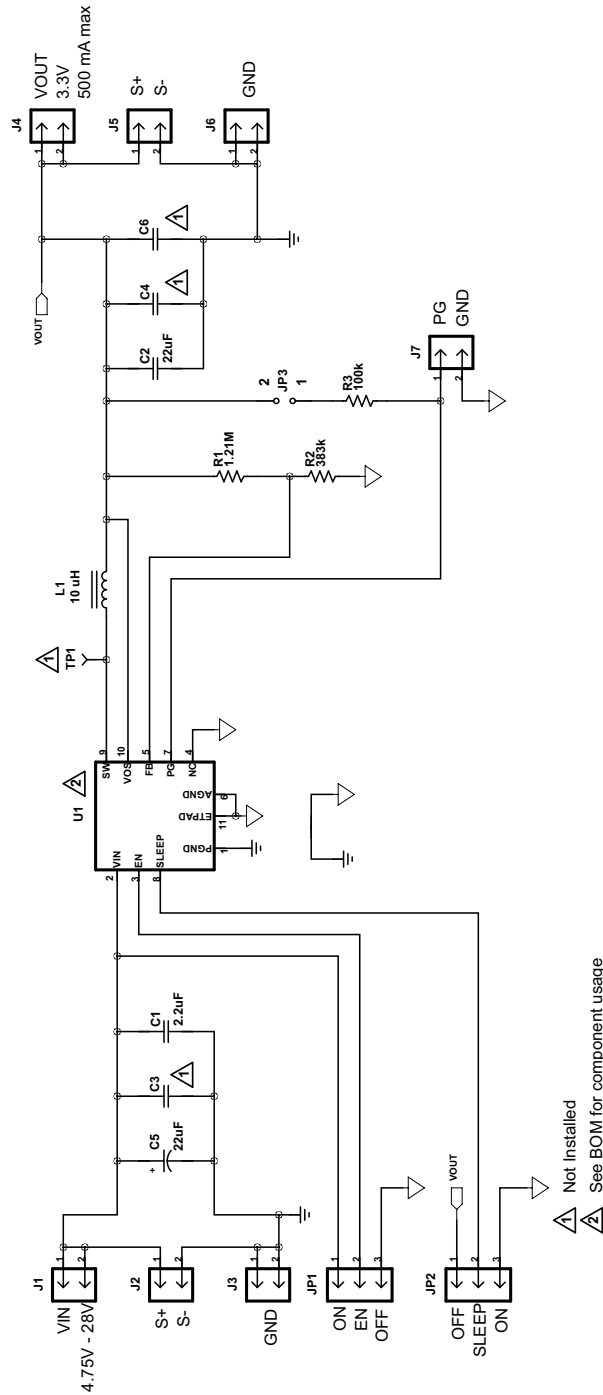


Figure 5-1. TPS62175EVM-098 Schematic

5.2 Bill of Materials

Table 5-1. TPS62175EVM-098 Bill of Materials

| COUNT | RefDes | Value | Description | Size | Part Number | MFR |
|-------|--------|----------|--|-------------|-----------------|-----------|
| -001 | | | | | | |
| 1 | C1 | 2.2uF | Capacitor, Ceramic, 50V, X5R, 20% | 0805 | STD | STD |
| 1 | C2 | 22uF | Capacitor, Ceramic, 6.3V, X5R, 20% | 0805 | STD | STD |
| 1 | C5 | 22uF | Capacitor, Tantalum, 50V, ±20% | 7343 (D) | TPME226M050R100 | AVX |
| 1 | L1 | 10uH | Inductor, Power, 1.1 A, 350 mOhm | 4 mm x 4 mm | LPS4012-103ML | Coilcraft |
| 1 | R1 | 1.21M | Resistor, Chip, 1/16W, 1% | 0603 | STD | STD |
| 1 | R2 | 383k | Resistor, Chip, 1/16W, 1% | 0603 | STD | STD |
| 1 | R3 | 100k | Resistor, Chip, 1/16W, 1% | 0603 | STD | STD |
| 1 | U1 | TPS62175 | IC, 28V 0.5A Step-Down Converter with Sleep Mode | 2 mm x 3 mm | TPS62175DQC | TI |

The TPS62175EVM-098 may be populated with TPS62175 (U1) devices that do not contain the correct top side markings on the top of the device itself. These devices are still fully tested TPS62175 devices and meet the specified electrical characteristics of the data sheet.

6 Revision History

NOTE: Page numbers for previous revisions may differ from page numbers in the current version.

| Changes from Revision * (September 2012) to Revision A (June 2021) | Page |
|--|------|
| • Updated the numbering format for tables, figures, and cross-references throughout the document. | 2 |
| • Updated user's guide title..... | 2 |

IMPORTANT NOTICE AND DISCLAIMER

TI PROVIDES TECHNICAL AND RELIABILITY DATA (INCLUDING DATA SHEETS), DESIGN RESOURCES (INCLUDING REFERENCE DESIGNS), APPLICATION OR OTHER DESIGN ADVICE, WEB TOOLS, SAFETY INFORMATION, AND OTHER RESOURCES "AS IS" AND WITH ALL FAULTS, AND DISCLAIMS ALL WARRANTIES, EXPRESS AND IMPLIED, INCLUDING WITHOUT LIMITATION ANY IMPLIED WARRANTIES OF MERCHANTABILITY, FITNESS FOR A PARTICULAR PURPOSE OR NON-INFRINGEMENT OF THIRD PARTY INTELLECTUAL PROPERTY RIGHTS.

These resources are intended for skilled developers designing with TI products. You are solely responsible for (1) selecting the appropriate TI products for your application, (2) designing, validating and testing your application, and (3) ensuring your application meets applicable standards, and any other safety, security, regulatory or other requirements.

These resources are subject to change without notice. TI grants you permission to use these resources only for development of an application that uses the TI products described in the resource. Other reproduction and display of these resources is prohibited. No license is granted to any other TI intellectual property right or to any third party intellectual property right. TI disclaims responsibility for, and you will fully indemnify TI and its representatives against, any claims, damages, costs, losses, and liabilities arising out of your use of these resources.

TI's products are provided subject to [TI's Terms of Sale](#) or other applicable terms available either on ti.com or provided in conjunction with such TI products. TI's provision of these resources does not expand or otherwise alter TI's applicable warranties or warranty disclaimers for TI products.

TI objects to and rejects any additional or different terms you may have proposed.

Mailing Address: Texas Instruments, Post Office Box 655303, Dallas, Texas 75265
Copyright © 2022, Texas Instruments Incorporated