

User's Guide

Using the TLVM13630EVM



ABSTRACT

The TLVM13630EVM features the TLVM13630 synchronous-buck power module configured for operation with typical 3-V to 36-V input bus applications. The output voltage and switching frequency can be set to one of five popular values by using a configuration jumper. The EVM supplies the full output current rating of the device. Input and output capacitors are included to accommodate the entire range of input voltage and the selectable output voltages on the EVM. Monitoring test points are provided to allow measurement of the following:

- Efficiency
- Power dissipation
- Input ripple
- Output ripple
- Line and load regulation
- Transient response

Control test points and jumpers are provided for use of the enable (EN) and power-good (PGOOD) features of the device. The recommended PCB layout of the EVM maximizes thermal performance and minimizes output ripple and noise.

Table of Contents

1 EVM Setup	2
2 EVM Connectors and Test Points	3
3 Test Results	4
4 PCB Layouts	5
5 Schematics	8
6 Bill of Materials	9

List of Figures

Figure 1-1. EVM User Interface.....	2
Figure 3-1. ENABLE Start-Up Waveform.....	4
Figure 3-2. ENABLE Shutdown Waveform.....	4
Figure 3-3. Output Voltage Ripple.....	4
Figure 3-4. Transient Performance.....	4
Figure 4-1. Top Silk Screen (Top View).....	5
Figure 4-2. Top Copper Layer (Top View).....	5
Figure 4-3. Signal Layer 1 (Top View).....	6
Figure 4-4. Signal Layer 2 (Top View).....	6
Figure 4-5. Bottom Layer (Top View).....	7
Figure 4-6. Bottom Layer Silk Screen (Bottom View).....	7
Figure 5-1. TLVM13630EVM Schematic.....	8

List of Tables

Table 2-1. Test Point Descriptions.....	3
Table 6-1. TLVM13630EVM BOM.....	9

Trademarks

All trademarks are the property of their respective owners.

1 EVM Setup

Figure 1-1 highlights the user interface items associated with the EVM. The *VIN* Power terminal block (J1) is used for connection to the host input supply and the *VOUT* Power terminal block (J4) is used for connection to the load. These terminal blocks accept up to 16-AWG wire.

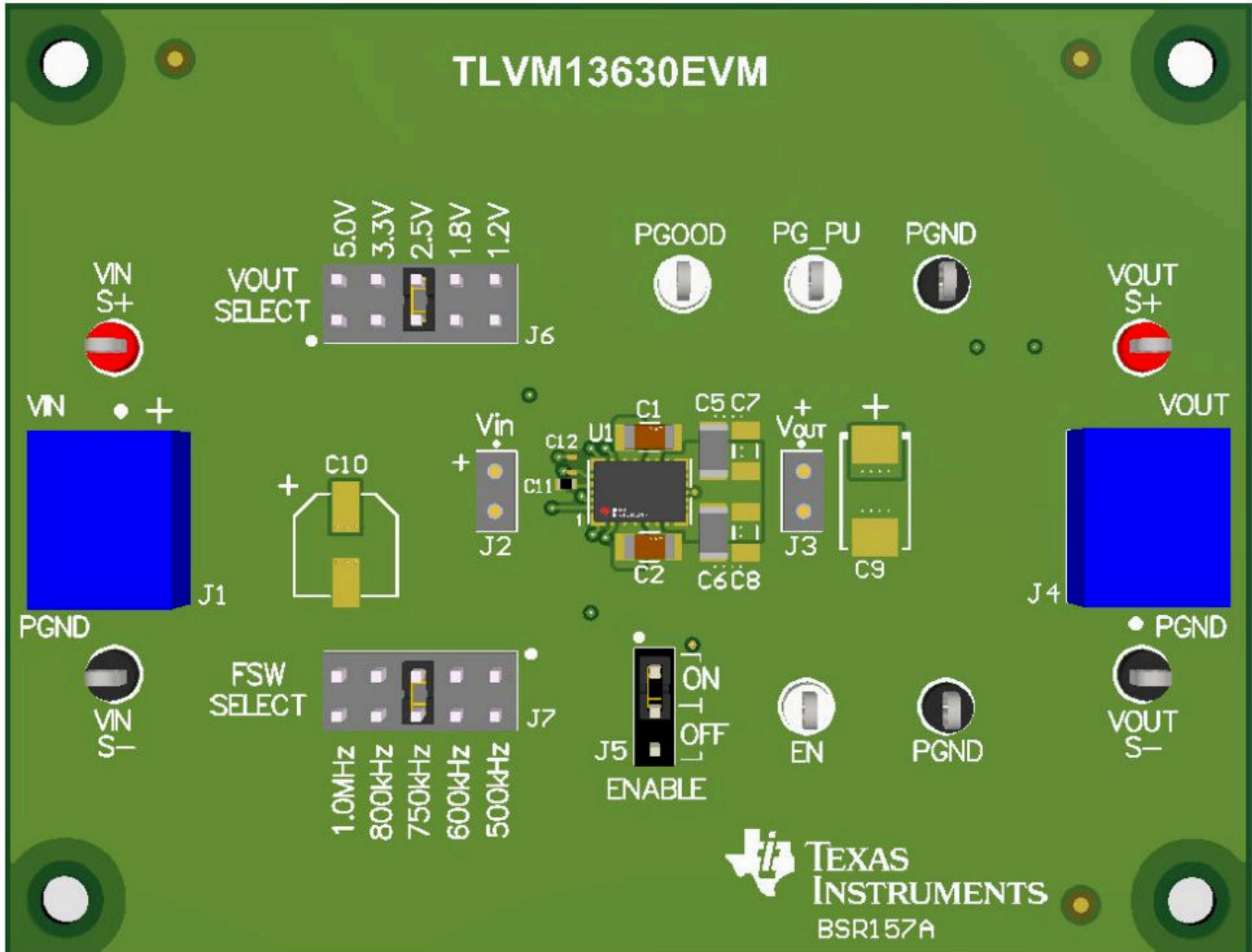


Figure 1-1. EVM User Interface

- Use the VIN S+ and VIN S- test points along with the VOUT S+ and VOUT S- test points located near the power terminal blocks as voltage monitoring points where voltmeters can be connected to measure VIN and VOUT. **Do not use these S+ and S- monitoring test points as the input supply or output load connection points.** The PCB traces connecting to these test points are not designed to support high currents.
- Use the VIN scope (J2) and VOUT scope (J3) test points to monitor VIN and VOUT waveforms with an oscilloscope. These test points are intended to use un-hooded scope probes outfitted with a low inductance ground lead (ground spring) mounted to the scope probe barrel. The two sockets of each test point are on 0.1-in centers. Connect the scope probe tip to the top socket labeled "+" and connect the scope ground lead to the bottom socket.
- The control test points located near the top and bottom of the EVM test the features of the device. For more information on the individual control test points, see [EVM Connectors and Test Points](#).
- The VOUT SELECT jumper (J6) is provided to select the desired output voltage: 1.2 V, 1.8 V, 2.5 V, 3.3 V, or 5.0 V. Before applying power to the EVM, make sure that the jumper is present and properly positioned for the intended output voltage. Always remove input power before changing the jumper settings.

- The FSW SELECT jumper (J7) is provided to select the desired switching frequency: 500 kHz, 600 kHz, 750 kHz, 800 kHz, or 1.0 MHz. Before applying power to the EVM, make sure that the jumper is present and properly positioned for the intended switching frequency. Always remove input power before changing the jumper settings.
- The device can be turned on or off using the enable jumper (J5). Place the jumper in the ON position to enable the device. Place the jumper in the OFF position to disable the device. The undervoltage lockout (UVLO) can be set by populating resistors R1 and R2 located on the bottom side of the EVM. For recommended UVLO resistor values, see the device-specific data sheet. The power good (PGOOD) test point is available to monitor when a valid output voltage is present on the EVM. Additionally, the PG_PU pin is present as a convenient point to connect a pullup voltage for the PGOOD signal.

2 EVM Connectors and Test Points

Wire-loop test points and scope probe sockets are included for digital voltmeters (DVM) or oscilloscope probes to aid in the evaluation of the device. [Table 2-1](#) describes each test point.

Table 2-1. Test Point Descriptions

Test Point ⁽¹⁾	Description
VIN S+	Input voltage monitor. Connect the positive lead of a DVM to this point for measuring efficiency.
VIN S-	Input ground monitor. Connect the negative lead of a DVM to this point for measuring efficiency.
VOUT S+	Output voltage monitor. Connect the positive lead of a DVM to this point for measuring efficiency, line regulation, and load regulation.
VOUT S-	Output ground monitor. Connect the negative lead of a DVM to this point for measuring efficiency, line regulation, and load regulation.
PGND	Power ground test points.
VIN Scope (J2)	Input voltage scope monitor. Connect an oscilloscope probe to this set of points to measure input ripple voltage.
VOUT Scope (J3)	Output voltage scope monitor. Connect an oscilloscope probe to this set of points to measure output voltage ripple and transient response.
EN	Enable test point. Monitors the enable signal of the device. Use the ENABLE Control header (J5) to disable the device.
ENABLE Control (J5)	Enable select jumper. Enable or disable the device using a jumper.
PGOOD	Power good test point. Monitors the power good signal of the device. This is an open-drain signal. A 49.9-k Ω resistor is connected to this pin and the PG_PU pin on the EVM.
PG_PU	Power good pullup test point. Apply a voltage to this pin to use as a pullup voltage for the PGOOD signal. A 49.9-k Ω resistor is connected to this pin and the PGOOD pin on the EVM.

(1) For absolute maximum ratings associated with the features in this table, see the device-specific product data sheet.

3 Test Results

Figure 3-1 through Figure 3-4 demonstrate the performance of the TLVM13630EVM operating at 24-V input and 5-V output.

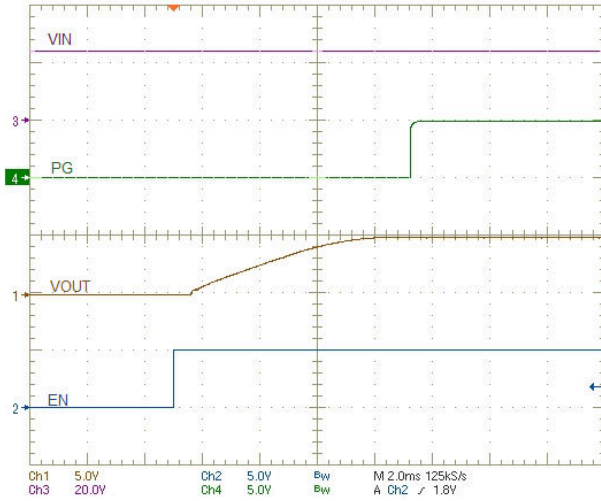


Figure 3-1. ENABLE Start-Up Waveform

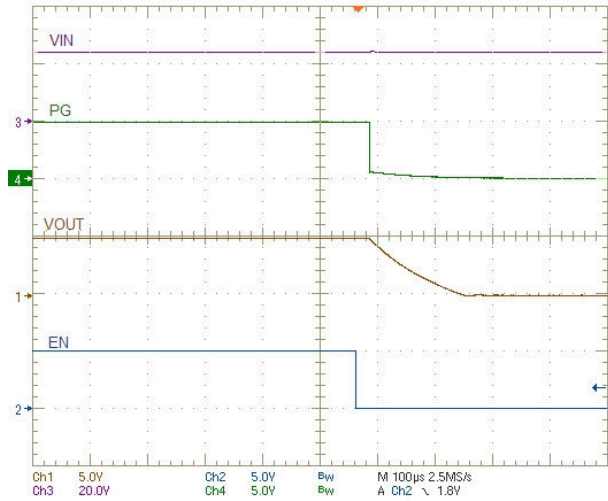


Figure 3-2. ENABLE Shutdown Waveform

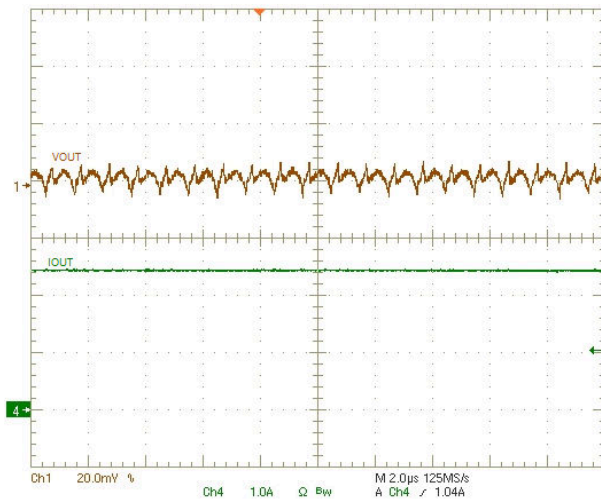


Figure 3-3. Output Voltage Ripple

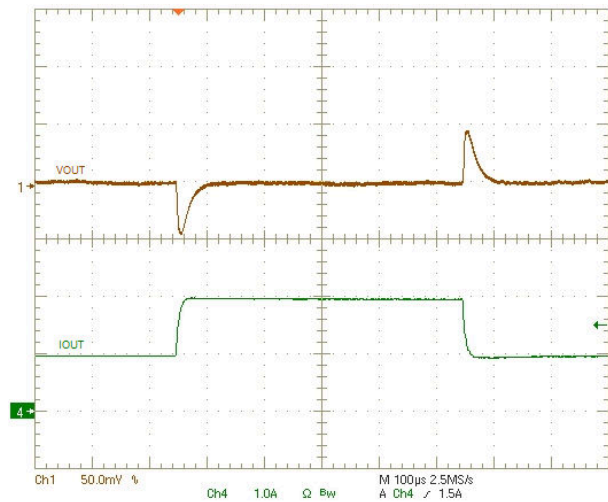


Figure 3-4. Transient Performance

4 PCB Layouts

Figure 4-1 through Figure 4-6 show the EVM PCB layout images.

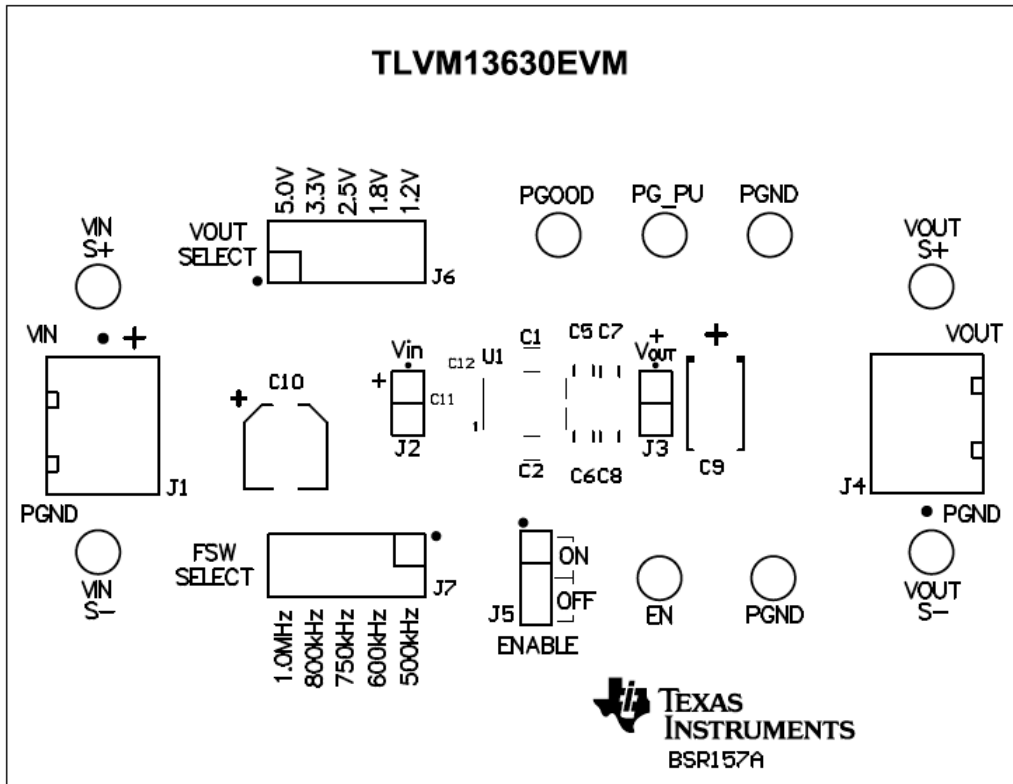


Figure 4-1. Top Silk Screen (Top View)

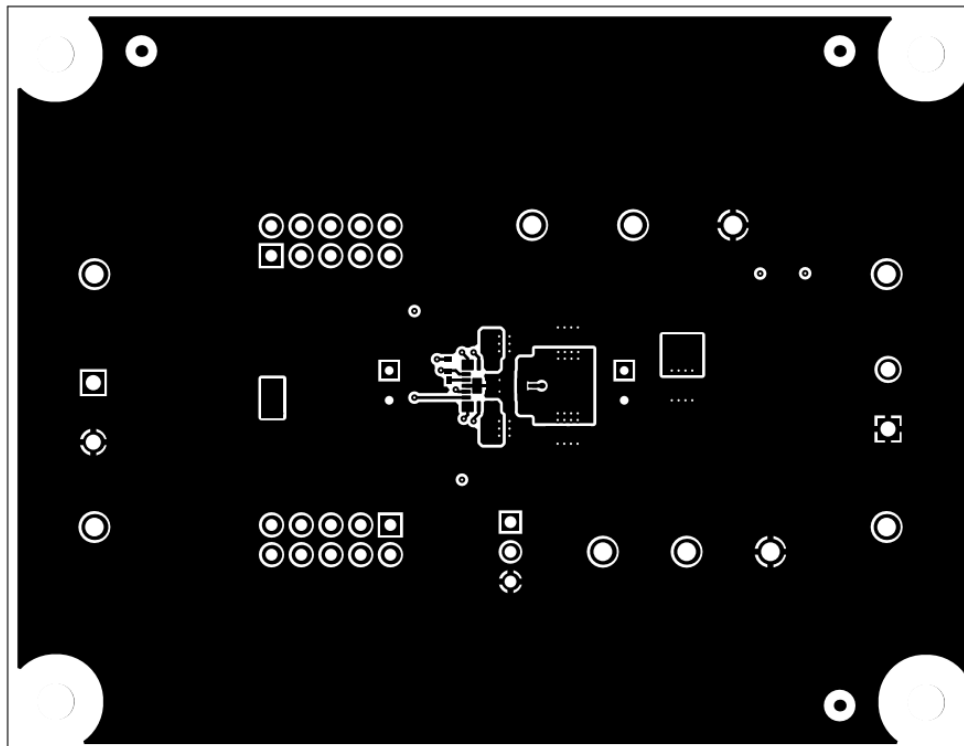


Figure 4-2. Top Copper Layer (Top View)

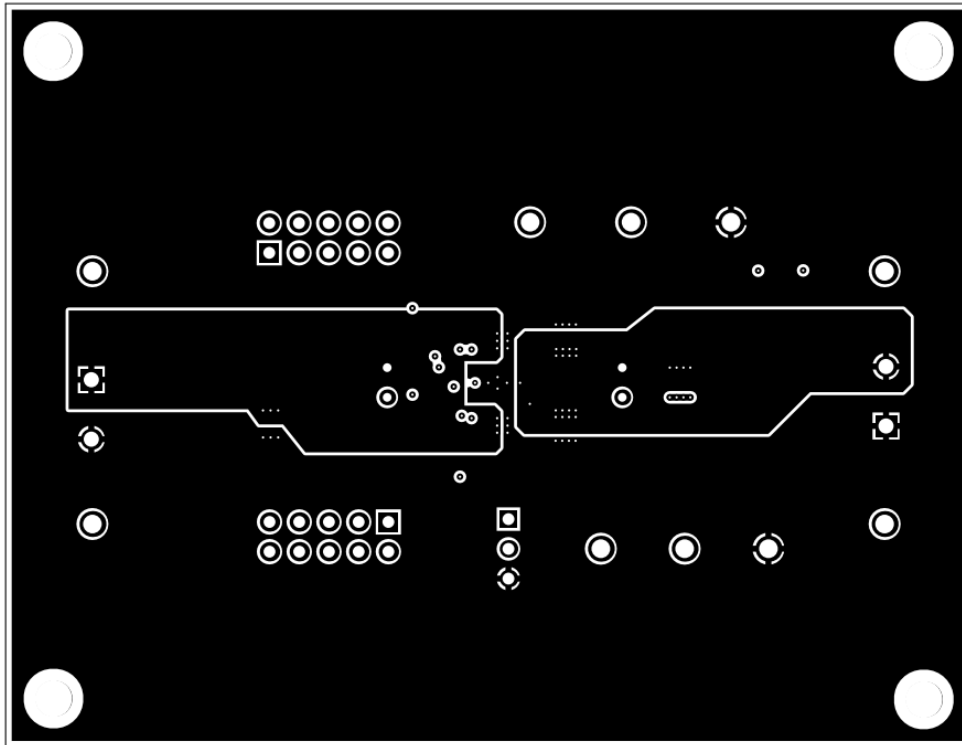


Figure 4-3. Signal Layer 1 (Top View)

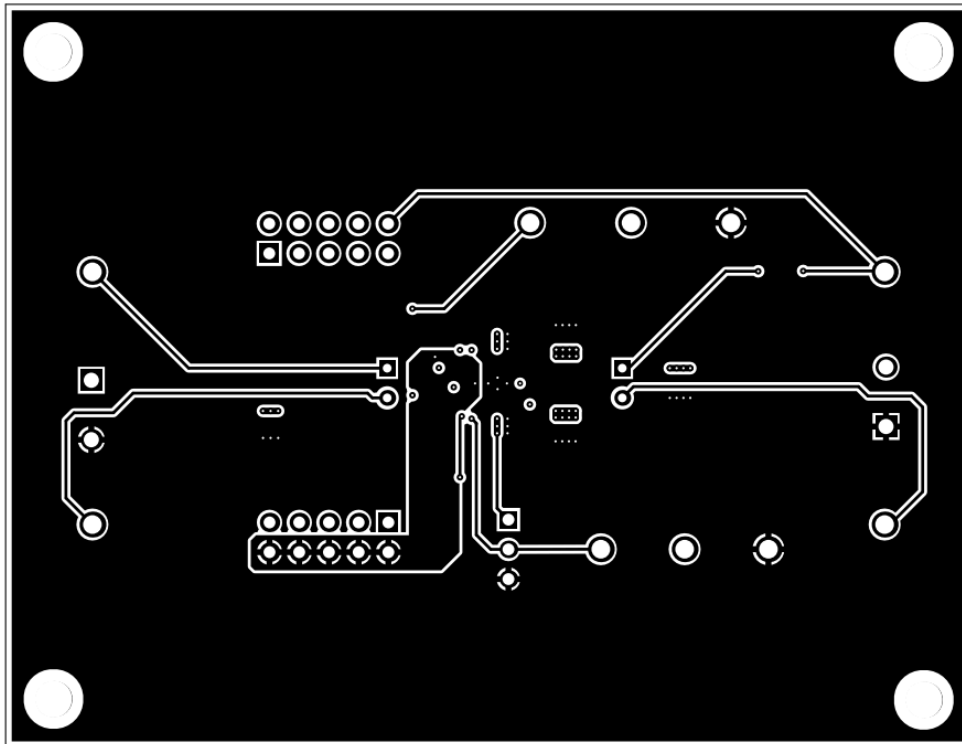


Figure 4-4. Signal Layer 2 (Top View)

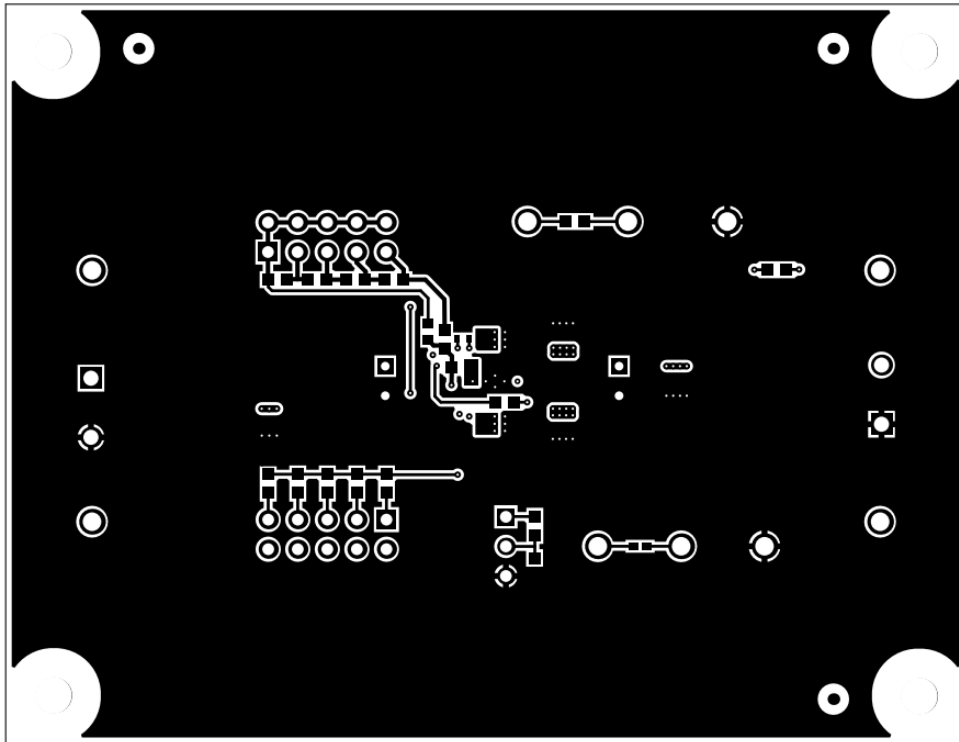


Figure 4-5. Bottom Layer (Top View)

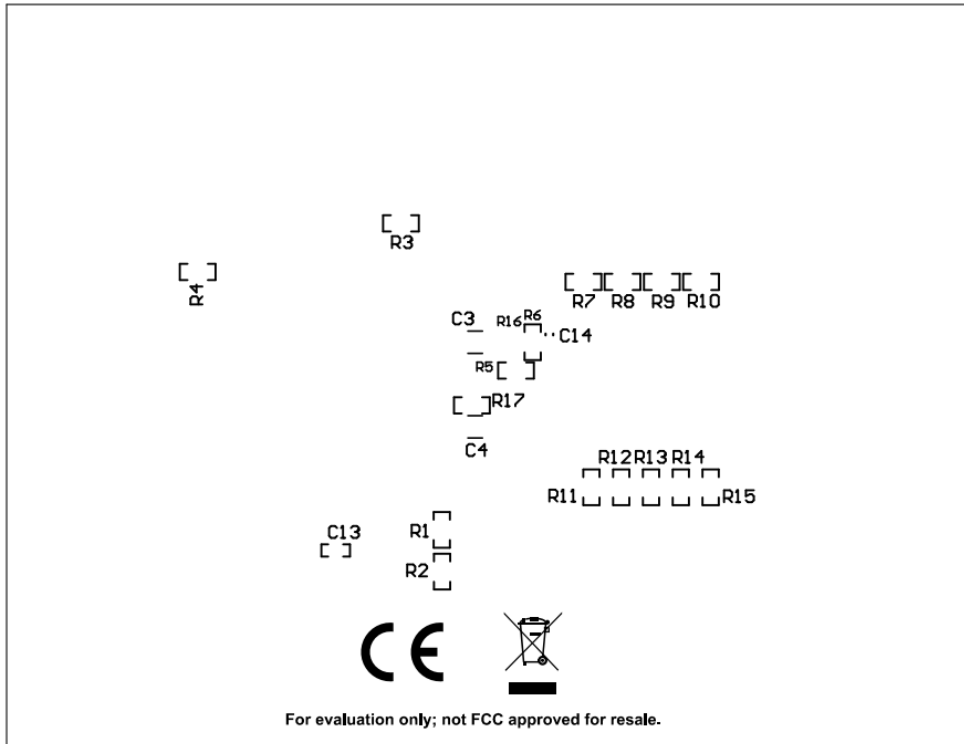


Figure 4-6. Bottom Layer Silk Screen (Bottom View)

5 Schematics

Figure 5-1 illustrates the TLVM13630EVM schematic.

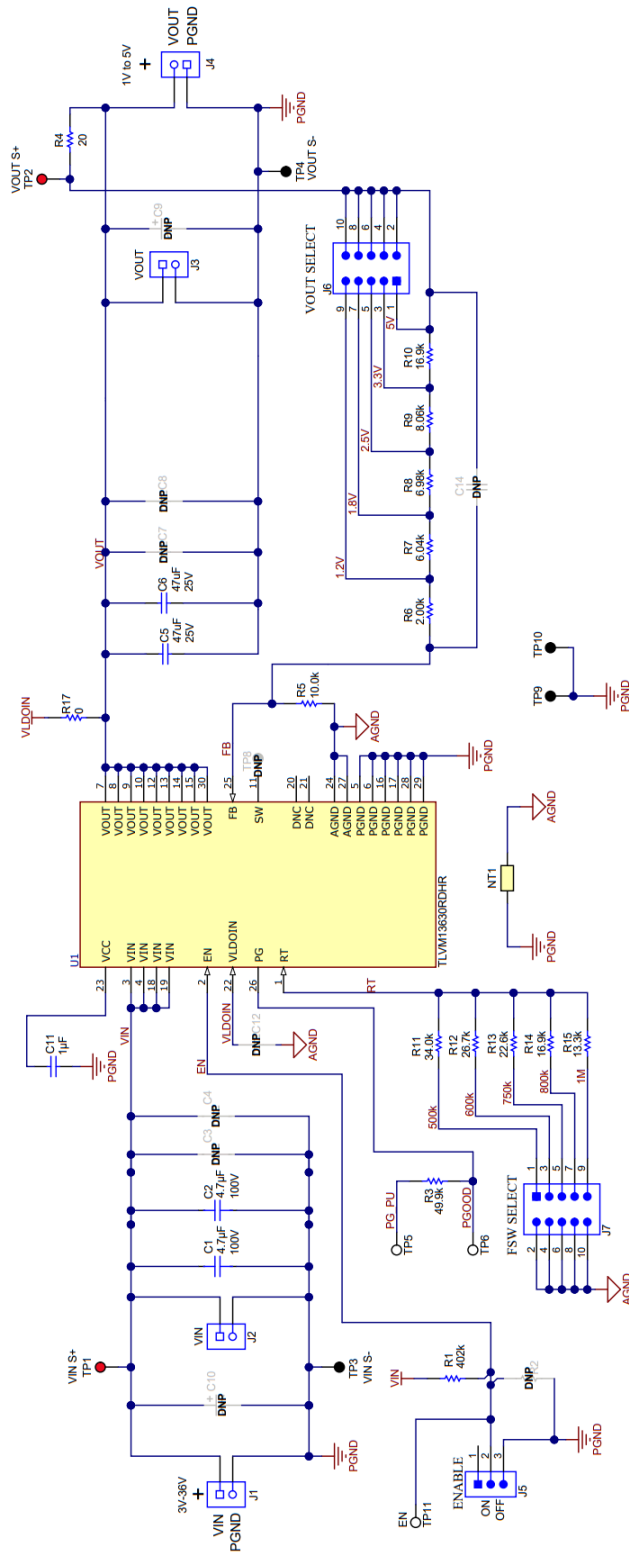


Figure 5-1. TLVM13630EVM Schematic

6 Bill of Materials

Table 6-1 lists the EVM bill of materials (BOM).

Table 6-1. TLVM13630EVM BOM

Designator	Quantity	Value	Description	Package Reference	Part Number
C1, C2	2	4.7 μ F	CAP, CERM, 4.7 μ F, 100V, X7S	1206	GRM31CC72A475KE11L
C5, C6	2	47 μ F	CAP, CERM, 47 μ F, 25 V, X5R	1206_190	C3216X5R1E476M160AC
C11	1	1 μ F	CAP, CERM, 1 μ F, 16 V, X5R	0402	EMK105BJ105KVHF
J1, J4	2		Terminal Block, 2x1, 5.08 mm	2x1	OSTTA024163
J2, J3	2		Socket Strip, 2x1, 100 mil	100 mil, 2pin	310-43-102-41-001000
J5	1		Header, 100mil, 3x1	3 PIN, 100 mil	PEC03SAAN
J6, J7	2		Header, 100mil, 5x2	5x2, 100 mil	PEC05DAAN
R1	1	402k	RES, 402 k, 1%, 0.1 W	0603	CRCW0603402KFKEA
R3	1	49.9k	RES, 49.9 k, 1%, 0.1 W	0603	CRCW060349K9FKEA
R4	1	20	RES, 20, 5%, 0.1 W	0603	CRCW060320R0JNEA
R5	1	10.0k	RES, 10.0 k, 1%, 0.1 W	0603	CRCW060310K0FKEA
R6	1	2.00k	RES, 2.00 k, 1%, 0.1 W	0603	CRCW06032K00FKEA
R7	1	6.04k	RES, 6.04 k, 1%, 0.1 W	0603	CRCW06036K04FKEA
R8	1	6.98k	RES, 6.98 k, 1%, 0.1 W	0603	CRCW06036K98FKEA
R9	1	8.06k	RES, 8.06 k, 1%, 0.1 W	0603	CRCW06038K06FKEA
R10, R14	2	16.9k	RES, 16.9 k, 1%, 0.1 W	0603	CRCW060316K9FKEA
R11	1	34.0k	RES, 34.0 k, 1%, 0.1 W	0603	CRCW060334K0FKEA
R12	1	26.7k	RES, 26.7 k, 1%, 0.1 W	0603	CRCW060326K7FKEA
R13	1	22.6k	RES, 22.6 k, 1%, 0.1 W	0603	CRCW060322K6FKEA
R15	1	13.3k	RES, 13.3 k, 1%, 0.1 W	0603	CRCW060313K3FKEA
R17	1	0	RES, 0, 1%, 0.1 W	0603	RMCF0603ZT0R00
TP1, TP2	2		Red Test Point	Thru-hole	5010
TP3, TP4, TP9, TP10	4		Black Test Point	Thru-hole	5011
TP5, TP6, TP11	3		White Test Point	Thru-hole	5012
U1	1		36-V Input, 1-V to 6-V Output, 3-A Power Module	B3QFN	TLVM13630
C3, C4, C7, C8	0			1206	
C9	0			7343-40	
C10	0			SMT 6.3X5.8mm	
C12	0			0402	
C14	0			0603	
R2	0			0603	

IMPORTANT NOTICE AND DISCLAIMER

TI PROVIDES TECHNICAL AND RELIABILITY DATA (INCLUDING DATA SHEETS), DESIGN RESOURCES (INCLUDING REFERENCE DESIGNS), APPLICATION OR OTHER DESIGN ADVICE, WEB TOOLS, SAFETY INFORMATION, AND OTHER RESOURCES "AS IS" AND WITH ALL FAULTS, AND DISCLAIMS ALL WARRANTIES, EXPRESS AND IMPLIED, INCLUDING WITHOUT LIMITATION ANY IMPLIED WARRANTIES OF MERCHANTABILITY, FITNESS FOR A PARTICULAR PURPOSE OR NON-INFRINGEMENT OF THIRD PARTY INTELLECTUAL PROPERTY RIGHTS.

These resources are intended for skilled developers designing with TI products. You are solely responsible for (1) selecting the appropriate TI products for your application, (2) designing, validating and testing your application, and (3) ensuring your application meets applicable standards, and any other safety, security, regulatory or other requirements.

These resources are subject to change without notice. TI grants you permission to use these resources only for development of an application that uses the TI products described in the resource. Other reproduction and display of these resources is prohibited. No license is granted to any other TI intellectual property right or to any third party intellectual property right. TI disclaims responsibility for, and you will fully indemnify TI and its representatives against, any claims, damages, costs, losses, and liabilities arising out of your use of these resources.

TI's products are provided subject to [TI's Terms of Sale](#) or other applicable terms available either on ti.com or provided in conjunction with such TI products. TI's provision of these resources does not expand or otherwise alter TI's applicable warranties or warranty disclaimers for TI products.

TI objects to and rejects any additional or different terms you may have proposed.

Mailing Address: Texas Instruments, Post Office Box 655303, Dallas, Texas 75265
Copyright © 2022, Texas Instruments Incorporated