





# User's Guide

## TPSI2140-Q1 Evaluation Module



### ABSTRACT

The TPSI2140Q1EVM helps designers evaluate the operation and performance of the TPSI2140-Q1. This user's guide provides the connectors, test point descriptions, operational modes, schematic, bill of materials, and board layout of the EVM. The TPSI2140-Q1 is a 3.75-kV<sub>rms</sub> isolated switch. The inputs and output connections to the board are terminal blocks, which allow for easily wired connections. The TPSI2140Q1EVM contains multiple test points for monitoring the TPSI2140-Q1 functionality.

|  |   |  |
|--|---|--|
|  <b>WARNING</b> | <p style="text-align: center;"><b>Danger</b></p>  | <p style="text-align: center;"><b>Do not use EVM to test Isolation above</b><br/> <math>V_{IOWM} = 1414 - V_{DC}</math><br/> <b>High voltage</b></p> |
|                 | <p style="text-align: center;"><b>Caution</b></p> | <p style="text-align: center;"><b>Caution hot surface</b><br/> <b>Contact can cause burns</b><br/> <b>Do not touch!</b></p>                          |
|                | <p style="text-align: center;"><b>Caution</b></p> | <p style="text-align: center;"><b>Read the user's guide before use</b></p>   |
|               | <p style="text-align: center;"><b>Caution</b></p> | <p style="text-align: center;"><b>Do not leave EVM powered when</b><br/> <b>unattended</b></p>   |

### Table of Contents

|  |           |
|--|-----------|
| <b>General Texas Instruments High Voltage Evaluation (TI HV EVM) User Safety Guidelines.....</b> | <b>2</b>  |
| <b>1 Introduction.....</b>   | <b>3</b>  |
| 1.1 Features.....  | 3         |
| 1.2 Applications.....  | 3         |
| 1.3 Description.....   | 3         |
| <b>2 Connection Descriptions.....</b>  | <b>4</b>  |
| <b>3 Test Equipment.....</b>   | <b>5</b>  |
| <b>4 Recommended Test Setup.....</b>   | <b>5</b>  |
| 4.1 Waveforms.....   | 6         |
| 4.2 S2 Voltage Divider.....  | 6         |
| <b>5 Schematic.....</b>  | <b>7</b>  |
| <b>6 PCB Layout.....</b>   | <b>8</b>  |
| <b>7 Bill of Materials.....</b>  | <b>10</b> |
| <b>8 Revision History.....</b>   | <b>11</b> |

### Trademarks

All trademarks are the property of their respective owners.

## General Texas Instruments High Voltage Evaluation (TI HV EVM) User Safety Guidelines



Always follow TI's set-up and application instructions, including use of all interface components within their recommended electrical rated voltage and power limits. Always use electrical safety precautions to help ensure your personal safety and those working around you. Contact TI's Product Information Center [http://ti.com/customer support](http://ti.com/customer-support) for further information.

**Save all warnings and instructions for future reference.**

### WARNING

Failure to follow warnings and instructions can result in personal injury, property damage or death due to electrical shock and burn hazards.

The term TI HV EVM refers to an electronic device typically provided as an open framed, unenclosed printed circuit board assembly. It is *intended strictly for use in development laboratory environments, solely for qualified professional users having training, expertise and knowledge of electrical safety risks in development and application of high voltage electrical circuits. Any other use and/or application are strictly prohibited by Texas Instruments.* If you are not suitably qualified, you should immediately stop from further use of the HV EVM.

1. Work Area Safety:
  - a. Keep work area clean and orderly.
  - b. Qualified observers must be present anytime circuits are energized.
  - c. Effective barriers and signage must be present in the area where the TI HV EVM and the interface electronics are energized, indicating operation of accessible high voltages can be present, for the purpose of protecting inadvertent access.
  - d. All interface circuits, power supplies, evaluation modules, instruments, meters, scopes, and other related apparatus used in a development environment exceeding 50Vrms/75VDC must be electrically located within a protected Emergency Power Off EPO protected power strip.
  - e. Use stable and non-conductive work surface.
  - f. Use adequately insulated clamps and wires to attach measurement probes and instruments. No freehand testing whenever possible.
2. Electrical Safety:
  - a. As a precautionary measure, it is always good engineering practice to assume that the entire EVM may have fully accessible and active high voltages.
  - b. De-energize the TI HV EVM and all its inputs, outputs and electrical loads before performing any electrical or other diagnostic measurements. Revalidate that TI HV EVM power has been safely de-energized.
  - c. With the EVM confirmed de-energized, proceed with required electrical circuit configurations, wiring, measurement equipment hook-ups and other application needs, while still assuming the EVM circuit and measuring instruments are electrically live.
  - d. Once EVM readiness is complete, energize the EVM as intended.

### WARNING

While the EVM is energized, never touch the EVM or its electrical circuits, as they could be at high voltages capable of causing electrical shock hazard.

3. Personal Safety
  - a. Wear personal protective equipment e.g. latex gloves or safety glasses with side shields or protect EVM in an adequate lucent plastic box with interlocks from accidental touch.

### Limitation for safe use:

EVMs are not to be used as all or part of a production unit.

## 1 Introduction

The TPSI2140-Q1 is an isolated solid state relay designed for high voltage automotive and industrial applications such as battery management systems, EV/HEV onboard chargers, mechanical relay replacement, DC link pre-charging, and more. The TPSI2140-Q1 seamlessly replaces relays without need for a secondary side supply while leveraging unique isolation technology integrated in a compact SOIC package. The entire primary side of the device requires only 9 mA of input current, enabling the user to drive the VDD and EN pins from a single microcontroller GPIO and eliminating the need for an external low side switch used in Photomos solutions. The secondary side consists of back-to-back MOSFETs with a standoff voltage of  $\pm 1.2$  kV from S1 to S2. The TPSI2140-Q1 MOSFETs' avalanche robustness and thermally conscious package design allow it to survive system level High Potential (HiPot) screening and DC fast charger surge currents of up to 2 mA without requiring any external components.

### 1.1 Features

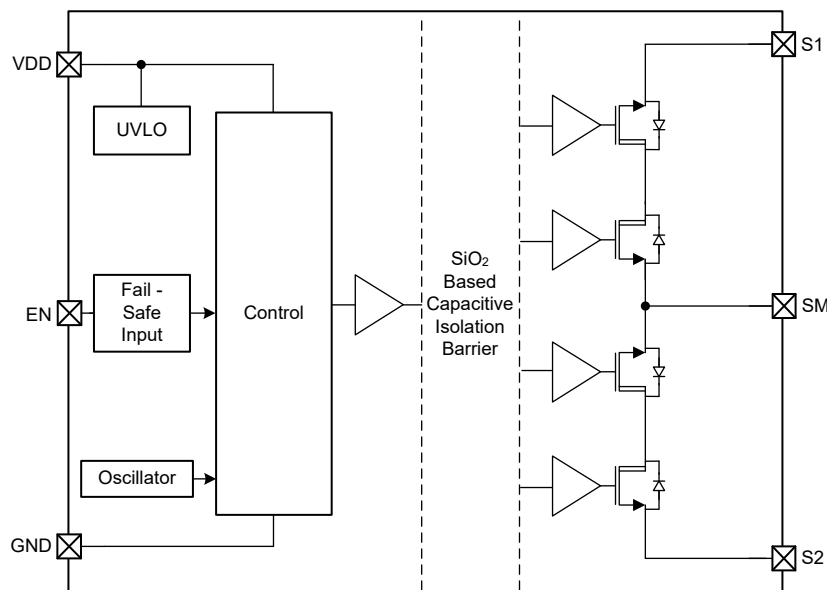
- Isolation: 3.75 kVRMS
- Integrated avalanche rated MOSFETs with 1200-V standoff voltage
- Qualified for automotive applications: AEC-Q100
- Low primary side supply current, 9-mA ON state, 1.5- $\mu$ A OFF state
- Test points available for every pin and voltage supply to ensure correct functionality

### 1.2 Applications

- HEV/EV insulation resistance monitoring
- Solar inverter
- Industrial motor drive
- Battery management system
- Onboard charger

### 1.3 Description

The TPSI2140Q1EVM is a four-copper layer board containing multiple test points and jumpers to fully evaluate the functionality of the device. The primary side consists of four differential drivers which deliver power and enable logic information to each of the internal MOSFETs on the secondary side. Each MOSFET on the secondary side has a dedicated full-bridge rectifier to form the local power supply. When the enable pin is brought HI, the oscillator starts and the drivers send power and a logic HI across the barrier. The avalanche robust MOSFETs and the thermal benefits of the widened pins on the 11 DWQ package enable the TPSI2140-Q1 to withstand High Potential (HiPot) screening and DC fast charger surge currents of up to 2 mA without requiring any external protection components.



**Figure 1-1. TPSI2140-Q1 Functional Block Diagram**

**Table 1-1. Device Information**

| PART NUMBER | PACKAGE           | BODY SIZE (NOM)  |
|-------------|-------------------|------------------|
| TPSI2140-Q1 | SOIC 11 pin (DWQ) | 10.3 mm × 7.5 mm |

## 2 Connection Descriptions

Table 2-1 shows an overview of the input/output connectors. Table 2-2 shows the test points and jumpers.

**Table 2-1. Input and Output Connector Descriptions**

| Connector | Label       | Description                   |
|-----------|-------------|-------------------------------|
| J1        | HV+         | Secondary side positive input |
| J2        | S2          | Voltage sense output          |
| J3        | HV-         | Secondary side negative input |
| J4        | VDD         | Primary<br>Side supply        |
| J5        | GND         | Primary<br>Side GND           |
| J6        | EN_EXTERNAL | External<br>Enable signal     |

**Table 2-2. Test Point and Jumper Descriptions**

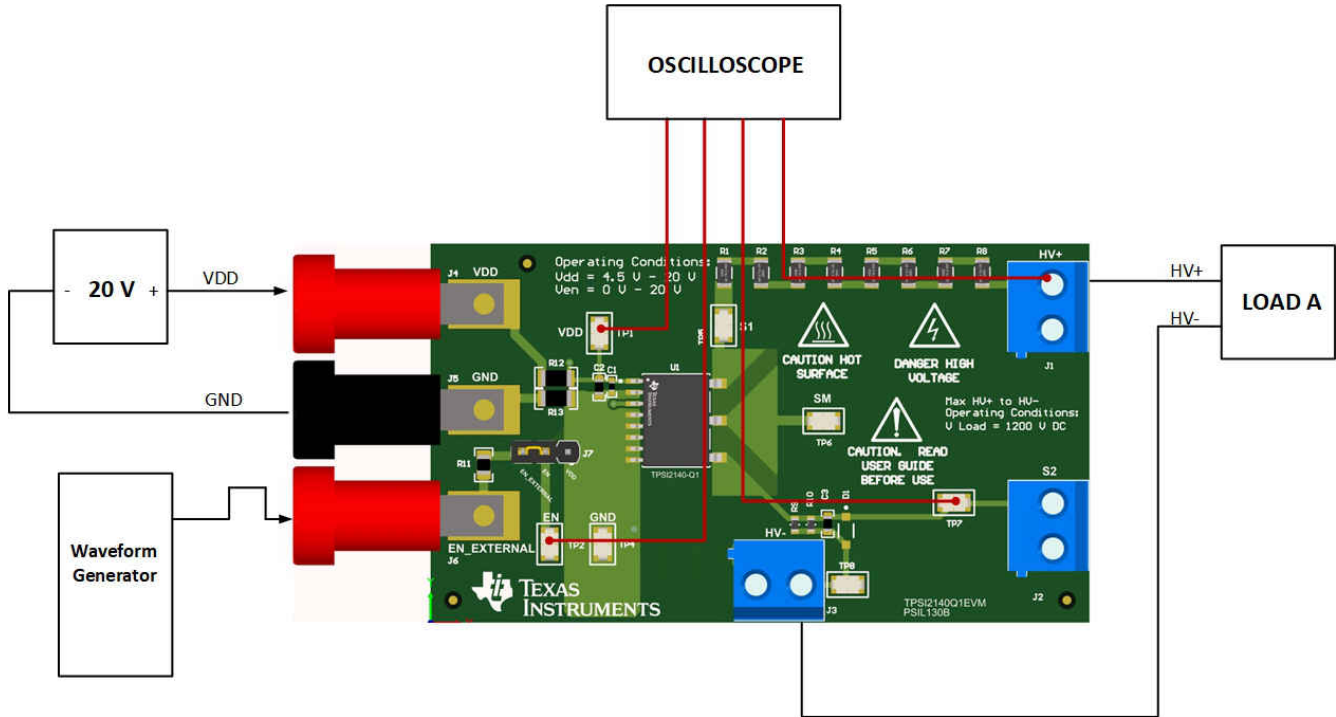
| Test Point, Jumper | Label              | Description   |
|--------------------|--------------------|---|
| TP1                | VDD                | Primary side supply test point  |
| TP2                | EN                 | EN test point   |
| TP4                | GND                | Primary side ground test point  |
| TP5                | S1                 | Secondary side HV+ voltage after resistor chain   |
| TP6                | SM                 | Thermal Pin   |
| TP7                | S2                 | Voltage sense output test point   |
| TP8                | HV-                | HV- secondary side test point   |
| J7                 | EN_EXTERNAL/EN/VDD | Connects VDD to EN,<br>or EN to EN_EXT. Allows for external enable signal to be used instead of EN<br>being signaled by VDD |

### 3 Test Equipment

The testing of the TPSI2140Q1EVM recommends the following equipment:

- Adjustable power supplies for the input
- Oscilloscope
- A function generator to toggle the EN pin

### 4 Recommended Test Setup



**Figure 4-1. TPSI2140Q1EVM Test Setup**

Verify that the TPSI2140Q1EVM has the following setting on the jumpers:

1. J7 – Shunt is connecting EN\_EXTERNAL and EN.
2. If not using a waveform generator as shown above, set the shunt to be between VDD and EN. This action causes EN to be high when VDD is powered.

## 4.1 Waveforms

If connected as described above, then the following channels must be displayed in the waveforms below:

- CH 3 = VDD
- CH 2 = EN
- CH 1 = HV+
- CH 4 = S2

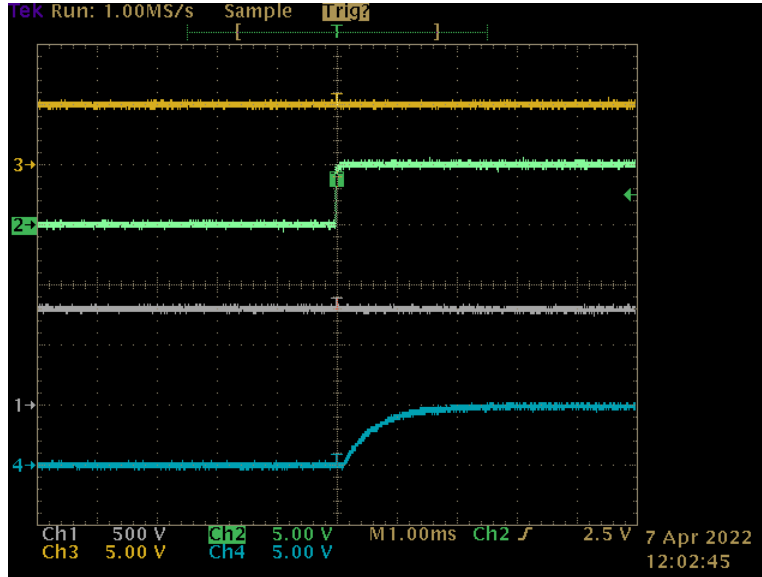


Figure 4-2. Enable On

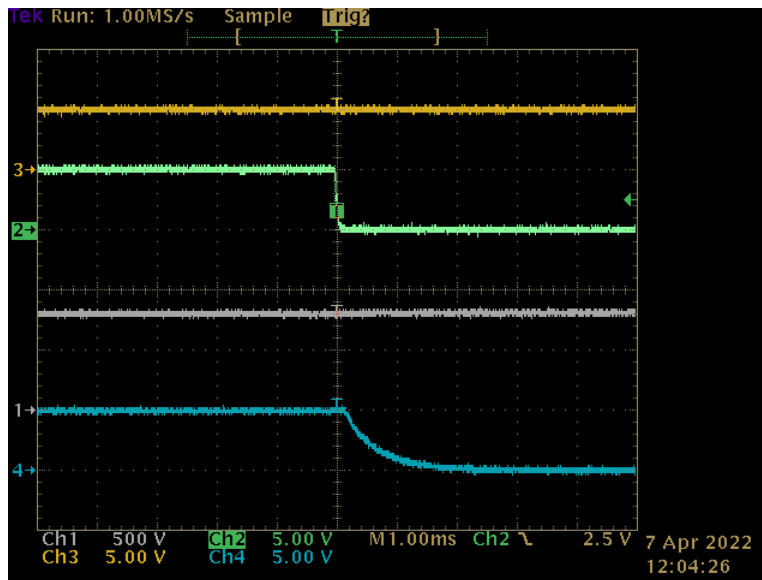


Figure 4-3. Enable Off

## 4.2 S2 Voltage Divider

S2 (TP7) is the voltage divider measurement. The voltage measured is dependent on parallel resistors R9 and R10, and the resistor network R1-R8 and can be calculated by using the following equation:

$$V_{S2} = \frac{R9 || R10}{(R1 + R2 \dots + R8) + (R9 || R10)} \times V_{LOAD} \quad (1)$$

## 5 Schematic

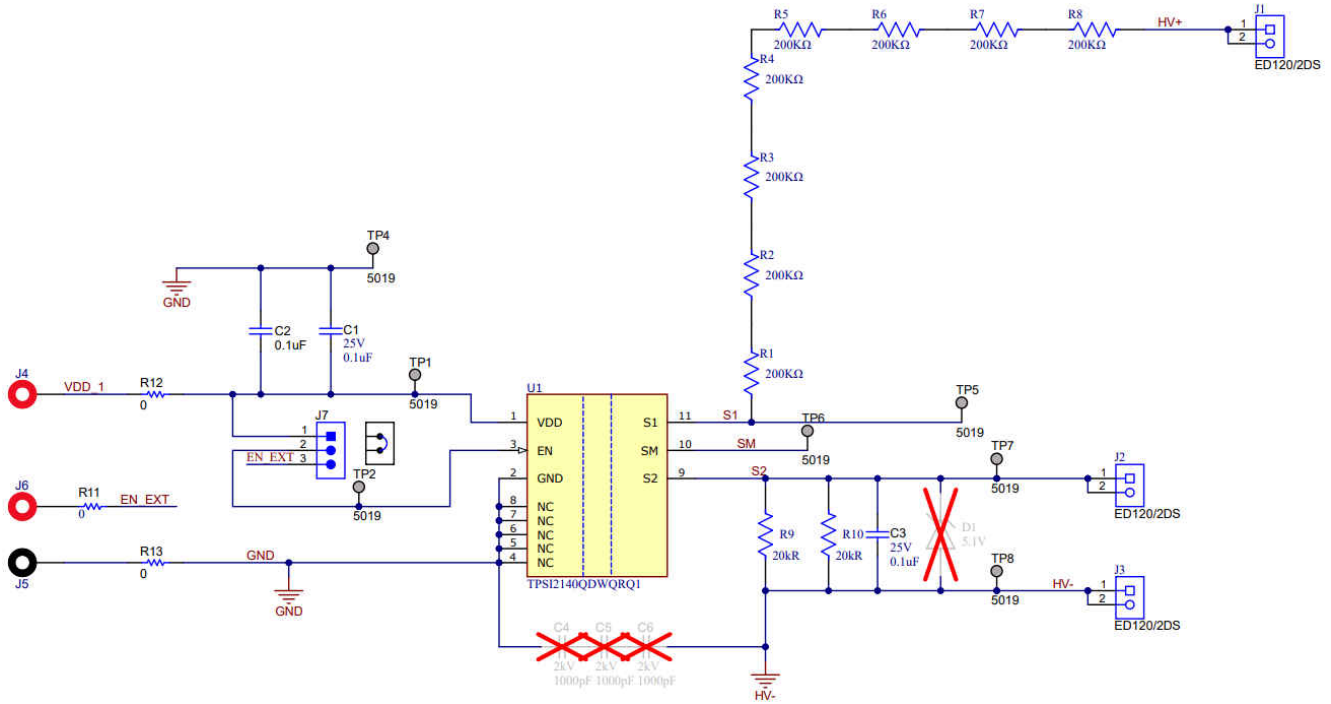


Figure 5-1. TPSI2140Q1EVM Schematic

## 6 PCB Layout

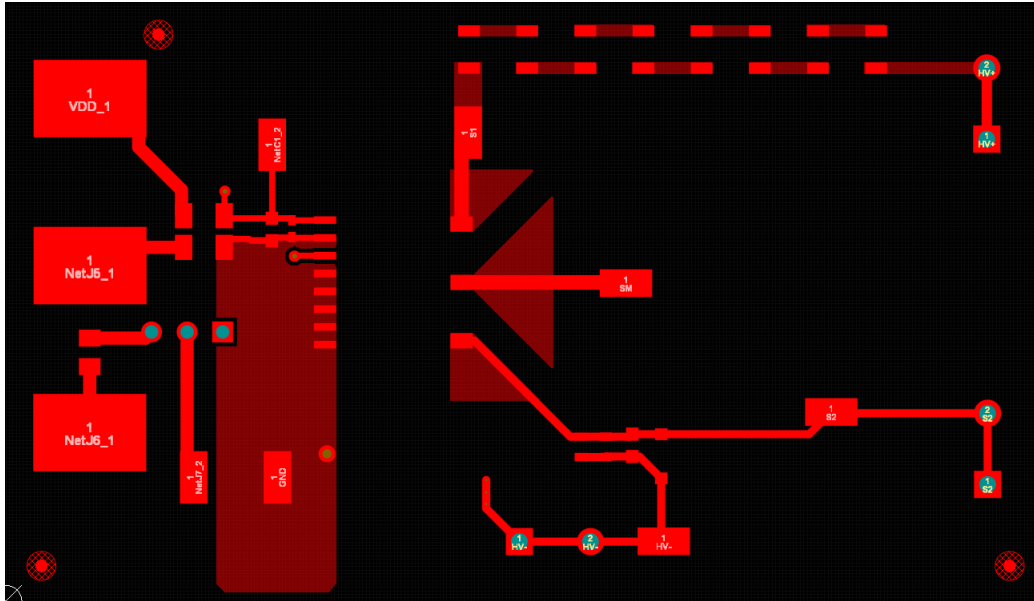


Figure 6-1. TPSI2140-Q1 EVM - Layer 1

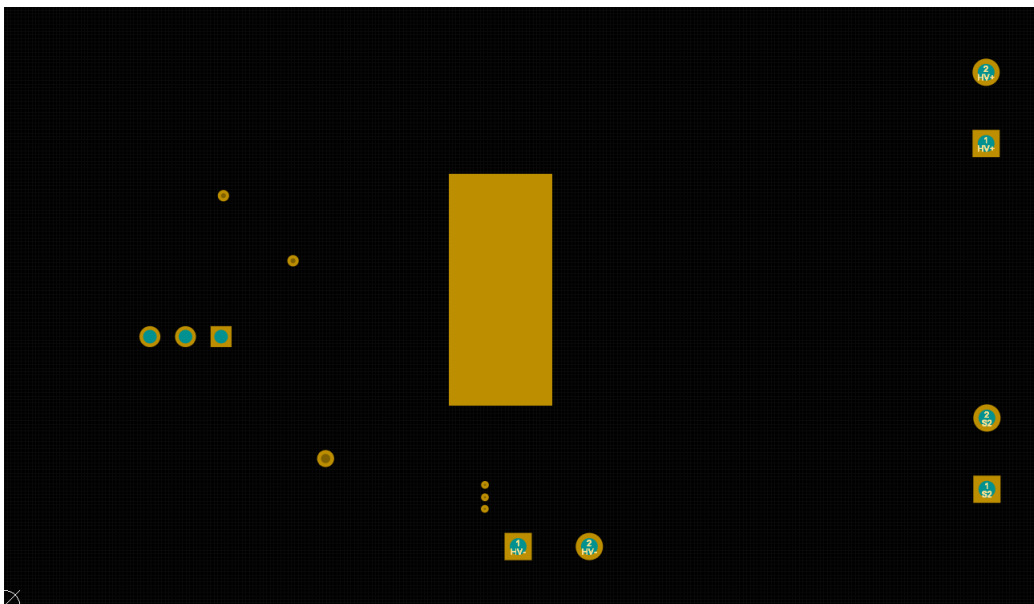


Figure 6-2. TPSI2140-Q1 EVM - Layer 2



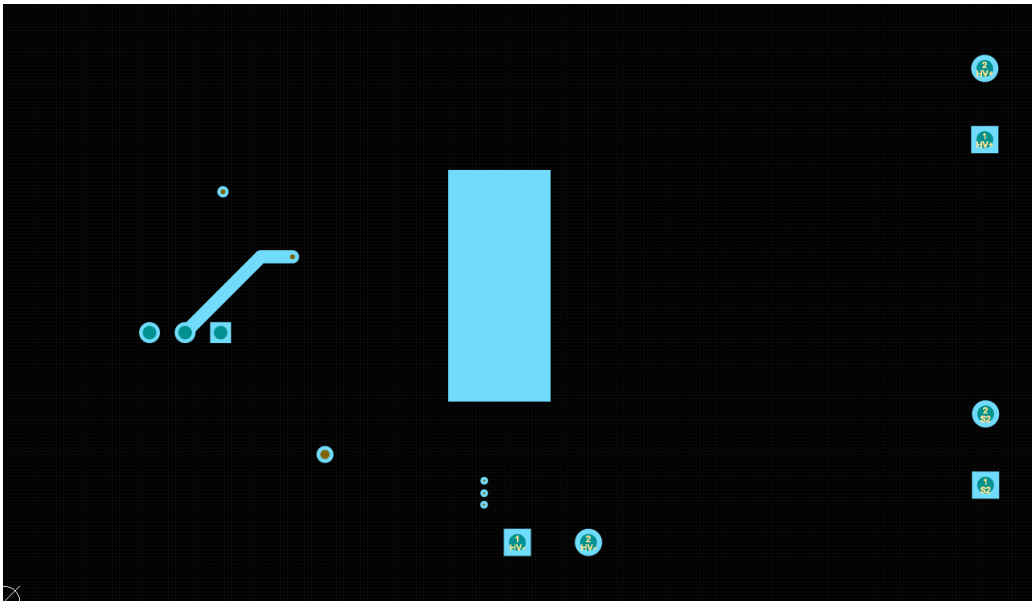


Figure 6-3. TPSI2140-Q1 EVM - Layer 3

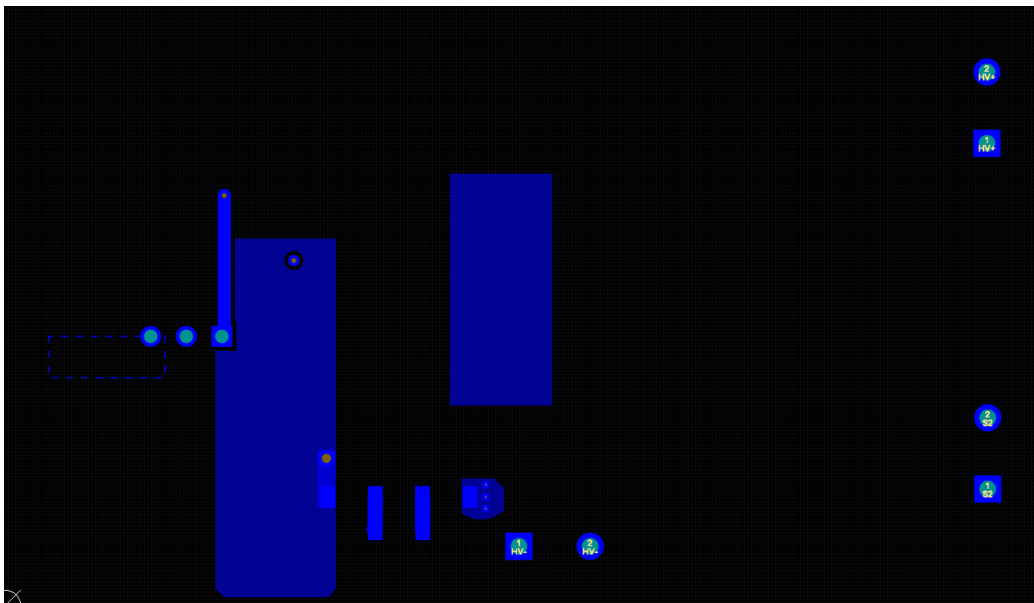


Figure 6-4. TPSI2140-Q1 EVM - Layer 4

## 7 Bill of Materials

| Designator                        | Quantity | Value   | Description  | Package Reference                 | Part Number              | Manufacturer        |
|-----------------------------------|----------|---------|--|-----------------------------------|--------------------------|---------------------|
| PCB                               | 1        |         | Printed Circuit Board  |                                   | PSIL130                  | Any                 |
| C1                                | 1        | 0.1uF   | CAP, CERM, 0.1 uF, 25 V, +/- 10%, X7R, 0402                      | 402                               | GRM155R71E104KE14D       | MuRata              |
| C2                                | 1        | 0.1uF   | CAP, CERM, 0.1 uF, 25 V, +/- 10%, X7R, AEC-Q200 Grade 1, 0603    | 603                               | CGA3E2X7R1E104K080A<br>A | TDK                 |
| C3                                | 1        | 0.1uF   | CAP, CERM, 0.1 uF, 25 V, +/- 10%, X7R, 0603                      | 603                               | C0603C104K3RACTU         | Kemet               |
| C4, C5, C6                        | 3        | 1000 pF | CAP, CERM, 1000 pF, 2000 V, +/- 10%, X7R, AEC-Q200 Grade 1, 1206 | 1206                              | C1206C102KGRACAUTO       | Kemet               |
| H1, H2, H3, H4                    | 4        |         | Bumpon, Cylindrical, 0.312 X 0.200, Black                        | Black Bumpon                      | SJ61A1                   | 3M                  |
| J1, J2, J3                        | 3        |         | Terminal Block, 5.08 mm, 2x1, Brass, TH                          | 2x1 5.08 mm Terminal Block        | ED120/2DS                | On-Shore Technology |
| J4, J6                            | 2        |         | Banana Jack Insul Nylon Red, TH                                  | Banana Jack Insul Nylon Red, TH   | 108-0902-001             | Cinch Connectivity  |
| J5                                | 1        |         | Banana Jack Insul Nylon Black, TH                                | Banana Jack Insul Nylon Black, TH | 108-0903-001             | Cinch Connectivity  |
| J7                                | 1        |         | Header, 2.54mm, 3x1, Tin, TH                                     | Header, 2.54mm, 3x1, TH           | 68001-403HLF             | FCI                 |
| R9, R10                           | 2        | 20.0k   | RES SMD 20K OHM 0.1% 1/10W 0603                                  | 603                               | ERA-3AEB203V             | Yageo America       |
| R1, R2, R3, R4, R5, R6, R7, R8    | 8        | 200k    | RQ732B 1206 200 KΩ 0.4 W 10 ppm/°C 0.1% 200 V                    | 1206                              | RQ73C2B200KBDT           | Vishay-Dale         |
| R11                               | 1        | 0       | RES, 0, 5%, 0.125 W, 0805  | 805                               | MCR10EZPJ000             | Rohm                |
| R12, R13                          | 2        | 0       | RES, 0, 5%, 0.25 W, 1206   | 1206                              | RC1206JR-070RL           | Panasonic           |
| SH-2                              | 1        | 1x2     | Shunt, 100mil, Gold plated, Black                                | Shunt                             | SNT-100-BK-G             | Samtec              |
| TP1, TP2, TP4, TP5, TP6, TP7, TP8 | 8        |         | Test Point, Miniature, SMT                                       | Test Point, Miniature, SMT        | 5019                     | Keystone            |
| U1                                | 1        |         | Isolated Solid State Relay                                       | SOIC11                            | TPSI2140QDWQRQ1          | Texas Instruments   |

## 8 Revision History

NOTE: Page numbers for previous revisions may differ from page numbers in the current version.

| <b>Changes from Revision * (April 2022) to Revision A (June 2023)</b>    | <b>Page</b> |
|--|-------------|
| • Changed all instances of 1.4 kV to 1.2 kV.....                         | 3           |
| • Changed all instances of 1400 V to 1200 V.....                         | 3           |
| • Changed all instances of 5 mA to 9 mA.....                             | 3           |
| • Changed #4 in <i>Features</i> .....                                    | 3           |
| • Deleted TP3 from <a href="#">Table 2-2</a> .....                       | 4           |
| • Deleted TP11, TP14, and TP13 rows from <a href="#">Table 2-2</a> ..... | 4           |
| • Changed J7 label cell to EN_EXTERNAL/EN/VDD .....                      | 4           |
| • Changed <a href="#">Figure 4-1</a> .....                               | 5           |
| • Changed EN and EN_EXT to EN_EXTERNAL and EN in <a href="#">1</a> ..... | 5           |
| • Changed <i>Equation 1</i> .....  | 6           |
| • Changed schematic image.....   | 7           |
| • Changed and added PCB Layout images.....                               | 8           |

## STANDARD TERMS FOR EVALUATION MODULES

1. *Delivery:* TI delivers TI evaluation boards, kits, or modules, including any accompanying demonstration software, components, and/or documentation which may be provided together or separately (collectively, an "EVM" or "EVMs") to the User ("User") in accordance with the terms set forth herein. User's acceptance of the EVM is expressly subject to the following terms.
  - 1.1 EVMs are intended solely for product or software developers for use in a research and development setting to facilitate feasibility evaluation, experimentation, or scientific analysis of TI semiconductors products. EVMs have no direct function and are not finished products. EVMs shall not be directly or indirectly assembled as a part or subassembly in any finished product. For clarification, any software or software tools provided with the EVM ("Software") shall not be subject to the terms and conditions set forth herein but rather shall be subject to the applicable terms that accompany such Software
  - 1.2 EVMs are not intended for consumer or household use. EVMs may not be sold, sublicensed, leased, rented, loaned, assigned, or otherwise distributed for commercial purposes by Users, in whole or in part, or used in any finished product or production system.
2. *Limited Warranty and Related Remedies/Disclaimers:*
  - 2.1 These terms do not apply to Software. The warranty, if any, for Software is covered in the applicable Software License Agreement.
  - 2.2 TI warrants that the TI EVM will conform to TI's published specifications for ninety (90) days after the date TI delivers such EVM to User. Notwithstanding the foregoing, TI shall not be liable for a nonconforming EVM if (a) the nonconformity was caused by neglect, misuse or mistreatment by an entity other than TI, including improper installation or testing, or for any EVMs that have been altered or modified in any way by an entity other than TI, (b) the nonconformity resulted from User's design, specifications or instructions for such EVMs or improper system design, or (c) User has not paid on time. Testing and other quality control techniques are used to the extent TI deems necessary. TI does not test all parameters of each EVM. User's claims against TI under this Section 2 are void if User fails to notify TI of any apparent defects in the EVMs within ten (10) business days after delivery, or of any hidden defects with ten (10) business days after the defect has been detected.
  - 2.3 TI's sole liability shall be at its option to repair or replace EVMs that fail to conform to the warranty set forth above, or credit User's account for such EVM. TI's liability under this warranty shall be limited to EVMs that are returned during the warranty period to the address designated by TI and that are determined by TI not to conform to such warranty. If TI elects to repair or replace such EVM, TI shall have a reasonable time to repair such EVM or provide replacements. Repaired EVMs shall be warranted for the remainder of the original warranty period. Replaced EVMs shall be warranted for a new full ninety (90) day warranty period.

### **WARNING**

**Evaluation Kits are intended solely for use by technically qualified, professional electronics experts who are familiar with the dangers and application risks associated with handling electrical mechanical components, systems, and subsystems.**

**User shall operate the Evaluation Kit within TI's recommended guidelines and any applicable legal or environmental requirements as well as reasonable and customary safeguards. Failure to set up and/or operate the Evaluation Kit within TI's recommended guidelines may result in personal injury or death or property damage. Proper set up entails following TI's instructions for electrical ratings of interface circuits such as input, output and electrical loads.**

**NOTE:**

**EXPOSURE TO ELECTROSTATIC DISCHARGE (ESD) MAY CAUSE DEGRADATION OR FAILURE OF THE EVALUATION KIT; TI RECOMMENDS STORAGE OF THE EVALUATION KIT IN A PROTECTIVE ESD BAG.**

### 3 Regulatory Notices:

#### 3.1 United States

##### 3.1.1 Notice applicable to EVMs not FCC-Approved:

**FCC NOTICE:** This kit is designed to allow product developers to evaluate electronic components, circuitry, or software associated with the kit to determine whether to incorporate such items in a finished product and software developers to write software applications for use with the end product. This kit is not a finished product and when assembled may not be resold or otherwise marketed unless all required FCC equipment authorizations are first obtained. Operation is subject to the condition that this product not cause harmful interference to licensed radio stations and that this product accept harmful interference. Unless the assembled kit is designed to operate under part 15, part 18 or part 95 of this chapter, the operator of the kit must operate under the authority of an FCC license holder or must secure an experimental authorization under part 5 of this chapter.

##### 3.1.2 For EVMs annotated as FCC – FEDERAL COMMUNICATIONS COMMISSION Part 15 Compliant:

#### **CAUTION**

This device complies with part 15 of the FCC Rules. Operation is subject to the following two conditions: (1) This device may not cause harmful interference, and (2) this device must accept any interference received, including interference that may cause undesired operation.

Changes or modifications not expressly approved by the party responsible for compliance could void the user's authority to operate the equipment.

#### **FCC Interference Statement for Class A EVM devices**

*NOTE: This equipment has been tested and found to comply with the limits for a Class A digital device, pursuant to part 15 of the FCC Rules. These limits are designed to provide reasonable protection against harmful interference when the equipment is operated in a commercial environment. This equipment generates, uses, and can radiate radio frequency energy and, if not installed and used in accordance with the instruction manual, may cause harmful interference to radio communications. Operation of this equipment in a residential area is likely to cause harmful interference in which case the user will be required to correct the interference at his own expense.*

#### **FCC Interference Statement for Class B EVM devices**

*NOTE: This equipment has been tested and found to comply with the limits for a Class B digital device, pursuant to part 15 of the FCC Rules. These limits are designed to provide reasonable protection against harmful interference in a residential installation. This equipment generates, uses and can radiate radio frequency energy and, if not installed and used in accordance with the instructions, may cause harmful interference to radio communications. However, there is no guarantee that interference will not occur in a particular installation. If this equipment does cause harmful interference to radio or television reception, which can be determined by turning the equipment off and on, the user is encouraged to try to correct the interference by one or more of the following measures:*

- Reorient or relocate the receiving antenna.
- Increase the separation between the equipment and receiver.
- Connect the equipment into an outlet on a circuit different from that to which the receiver is connected.
- Consult the dealer or an experienced radio/TV technician for help.

#### 3.2 Canada

##### 3.2.1 For EVMs issued with an Industry Canada Certificate of Conformance to RSS-210 or RSS-247

#### **Concerning EVMs Including Radio Transmitters:**

This device complies with Industry Canada license-exempt RSSs. Operation is subject to the following two conditions:

(1) this device may not cause interference, and (2) this device must accept any interference, including interference that may cause undesired operation of the device.

#### **Concernant les EVMs avec appareils radio:**

Le présent appareil est conforme aux CNR d'Industrie Canada applicables aux appareils radio exempts de licence. L'exploitation est autorisée aux deux conditions suivantes: (1) l'appareil ne doit pas produire de brouillage, et (2) l'utilisateur de l'appareil doit accepter tout brouillage radioélectrique subi, même si le brouillage est susceptible d'en compromettre le fonctionnement.

#### **Concerning EVMs Including Detachable Antennas:**

Under Industry Canada regulations, this radio transmitter may only operate using an antenna of a type and maximum (or lesser) gain approved for the transmitter by Industry Canada. To reduce potential radio interference to other users, the antenna type and its gain should be so chosen that the equivalent isotropically radiated power (e.i.r.p.) is not more than that necessary for successful communication. This radio transmitter has been approved by Industry Canada to operate with the antenna types listed in the user guide with the maximum permissible gain and required antenna impedance for each antenna type indicated. Antenna types not included in this list, having a gain greater than the maximum gain indicated for that type, are strictly prohibited for use with this device.

### Concernant les EVMs avec antennes détachables

Conformément à la réglementation d'Industrie Canada, le présent émetteur radio peut fonctionner avec une antenne d'un type et d'un gain maximal (ou inférieur) approuvé pour l'émetteur par Industrie Canada. Dans le but de réduire les risques de brouillage radioélectrique à l'intention des autres utilisateurs, il faut choisir le type d'antenne et son gain de sorte que la puissance isotrope rayonnée équivalente (p.i.r.e.) ne dépasse pas l'intensité nécessaire à l'établissement d'une communication satisfaisante. Le présent émetteur radio a été approuvé par Industrie Canada pour fonctionner avec les types d'antenne énumérés dans le manuel d'usage et ayant un gain admissible maximal et l'impédance requise pour chaque type d'antenne. Les types d'antenne non inclus dans cette liste, ou dont le gain est supérieur au gain maximal indiqué, sont strictement interdits pour l'exploitation de l'émetteur.

#### 3.3 Japan

3.3.1 *Notice for EVMs delivered in Japan:* Please see [http://www.tij.co.jp/llds/ti\\_ja/general/eStore/notice\\_01.page](http://www.tij.co.jp/llds/ti_ja/general/eStore/notice_01.page) 日本国内に輸入される評価用キット、ボードについては、次のところをご覧ください。

<https://www.ti.com/ja-jp/legal/notice-for-evaluation-kits-delivered-in-japan.html>

3.3.2 *Notice for Users of EVMs Considered "Radio Frequency Products" in Japan:* EVMs entering Japan may not be certified by TI as conforming to Technical Regulations of Radio Law of Japan.

If User uses EVMs in Japan, not certified to Technical Regulations of Radio Law of Japan, User is required to follow the instructions set forth by Radio Law of Japan, which includes, but is not limited to, the instructions below with respect to EVMs (which for the avoidance of doubt are stated strictly for convenience and should be verified by User):

1. Use EVMs in a shielded room or any other test facility as defined in the notification #173 issued by Ministry of Internal Affairs and Communications on March 28, 2006, based on Sub-section 1.1 of Article 6 of the Ministry's Rule for Enforcement of Radio Law of Japan,
2. Use EVMs only after User obtains the license of Test Radio Station as provided in Radio Law of Japan with respect to EVMs, or
3. Use of EVMs only after User obtains the Technical Regulations Conformity Certification as provided in Radio Law of Japan with respect to EVMs. Also, do not transfer EVMs, unless User gives the same notice above to the transferee. Please note that if User does not follow the instructions above, User will be subject to penalties of Radio Law of Japan.

【無線電波を送信する製品の開発キットをお使いになる際の注意事項】 開発キットの中には技術基準適合証明を受けていないものがあります。技術適合証明を受けていないものご使用に際しては、電波法遵守のため、以下のいずれかの措置を取っていただく必要がありますのでご注意ください。

1. 電波法施行規則第6条第1項第1号に基づく平成18年3月28日総務省告示第173号で定められた電波暗室等の試験設備でご使用いただく。
2. 実験局の免許を取得後ご使用いただく。
3. 技術基準適合証明を取得後ご使用いただく。

なお、本製品は、上記の「ご使用にあたっての注意」を譲渡先、移転先に通知しない限り、譲渡、移転できないものとします。

上記を遵守頂けない場合は、電波法の罰則が適用される可能性があることをご留意ください。日本テキサス・イ

ンスツルメンツ株式会社

東京都新宿区西新宿 6 丁目 2 4 番 1 号

西新宿三井ビル

3.3.3 *Notice for EVMs for Power Line Communication:* Please see [http://www.tij.co.jp/llds/ti\\_ja/general/eStore/notice\\_02.page](http://www.tij.co.jp/llds/ti_ja/general/eStore/notice_02.page)

電力線搬送波通信についての開発キットをお使いになる際の注意事項については、次のところをご覧ください。 <https://www.ti.com/ja-jp/legal/notice-for-evaluation-kits-for-power-line-communication.html>

#### 3.4 European Union

3.4.1 *For EVMs subject to EU Directive 2014/30/EU (Electromagnetic Compatibility Directive):*

This is a class A product intended for use in environments other than domestic environments that are connected to a low-voltage power-supply network that supplies buildings used for domestic purposes. In a domestic environment this product may cause radio interference in which case the user may be required to take adequate measures.

- 
4. *EVM Use Restrictions and Warnings:*
    - 4.1 EVMS ARE NOT FOR USE IN FUNCTIONAL SAFETY AND/OR SAFETY CRITICAL EVALUATIONS, INCLUDING BUT NOT LIMITED TO EVALUATIONS OF LIFE SUPPORT APPLICATIONS.
    - 4.2 User must read and apply the user guide and other available documentation provided by TI regarding the EVM prior to handling or using the EVM, including without limitation any warning or restriction notices. The notices contain important safety information related to, for example, temperatures and voltages.
    - 4.3 *Safety-Related Warnings and Restrictions:*
      - 4.3.1 User shall operate the EVM within TI's recommended specifications and environmental considerations stated in the user guide, other available documentation provided by TI, and any other applicable requirements and employ reasonable and customary safeguards. Exceeding the specified performance ratings and specifications (including but not limited to input and output voltage, current, power, and environmental ranges) for the EVM may cause personal injury or death, or property damage. If there are questions concerning performance ratings and specifications, User should contact a TI field representative prior to connecting interface electronics including input power and intended loads. Any loads applied outside of the specified output range may also result in unintended and/or inaccurate operation and/or possible permanent damage to the EVM and/or interface electronics. Please consult the EVM user guide prior to connecting any load to the EVM output. If there is uncertainty as to the load specification, please contact a TI field representative. During normal operation, even with the inputs and outputs kept within the specified allowable ranges, some circuit components may have elevated case temperatures. These components include but are not limited to linear regulators, switching transistors, pass transistors, current sense resistors, and heat sinks, which can be identified using the information in the associated documentation. When working with the EVM, please be aware that the EVM may become very warm.
      - 4.3.2 EVMs are intended solely for use by technically qualified, professional electronics experts who are familiar with the dangers and application risks associated with handling electrical mechanical components, systems, and subsystems. User assumes all responsibility and liability for proper and safe handling and use of the EVM by User or its employees, affiliates, contractors or designees. User assumes all responsibility and liability to ensure that any interfaces (electronic and/or mechanical) between the EVM and any human body are designed with suitable isolation and means to safely limit accessible leakage currents to minimize the risk of electrical shock hazard. User assumes all responsibility and liability for any improper or unsafe handling or use of the EVM by User or its employees, affiliates, contractors or designees.
    - 4.4 User assumes all responsibility and liability to determine whether the EVM is subject to any applicable international, federal, state, or local laws and regulations related to User's handling and use of the EVM and, if applicable, User assumes all responsibility and liability for compliance in all respects with such laws and regulations. User assumes all responsibility and liability for proper disposal and recycling of the EVM consistent with all applicable international, federal, state, and local requirements.
  5. *Accuracy of Information:* To the extent TI provides information on the availability and function of EVMs, TI attempts to be as accurate as possible. However, TI does not warrant the accuracy of EVM descriptions, EVM availability or other information on its websites as accurate, complete, reliable, current, or error-free.
  6. *Disclaimers:*
    - 6.1 EXCEPT AS SET FORTH ABOVE, EVMS AND ANY MATERIALS PROVIDED WITH THE EVM (INCLUDING, BUT NOT LIMITED TO, REFERENCE DESIGNS AND THE DESIGN OF THE EVM ITSELF) ARE PROVIDED "AS IS" AND "WITH ALL FAULTS." TI DISCLAIMS ALL OTHER WARRANTIES, EXPRESS OR IMPLIED, REGARDING SUCH ITEMS, INCLUDING BUT NOT LIMITED TO ANY EPIDEMIC FAILURE WARRANTY OR IMPLIED WARRANTIES OF MERCHANTABILITY OR FITNESS FOR A PARTICULAR PURPOSE OR NON-INFRINGEMENT OF ANY THIRD PARTY PATENTS, COPYRIGHTS, TRADE SECRETS OR OTHER INTELLECTUAL PROPERTY RIGHTS.
    - 6.2 EXCEPT FOR THE LIMITED RIGHT TO USE THE EVM SET FORTH HEREIN, NOTHING IN THESE TERMS SHALL BE CONSTRUED AS GRANTING OR CONFERRING ANY RIGHTS BY LICENSE, PATENT, OR ANY OTHER INDUSTRIAL OR INTELLECTUAL PROPERTY RIGHT OF TI, ITS SUPPLIERS/LICENSORS OR ANY OTHER THIRD PARTY, TO USE THE EVM IN ANY FINISHED END-USER OR READY-TO-USE FINAL PRODUCT, OR FOR ANY INVENTION, DISCOVERY OR IMPROVEMENT, REGARDLESS OF WHEN MADE, CONCEIVED OR ACQUIRED.
  7. *USER'S INDEMNITY OBLIGATIONS AND REPRESENTATIONS.* USER WILL DEFEND, INDEMNIFY AND HOLD TI, ITS LICENSORS AND THEIR REPRESENTATIVES HARMLESS FROM AND AGAINST ANY AND ALL CLAIMS, DAMAGES, LOSSES, EXPENSES, COSTS AND LIABILITIES (COLLECTIVELY, "CLAIMS") ARISING OUT OF OR IN CONNECTION WITH ANY HANDLING OR USE OF THE EVM THAT IS NOT IN ACCORDANCE WITH THESE TERMS. THIS OBLIGATION SHALL APPLY WHETHER CLAIMS ARISE UNDER STATUTE, REGULATION, OR THE LAW OF TORT, CONTRACT OR ANY OTHER LEGAL THEORY, AND EVEN IF THE EVM FAILS TO PERFORM AS DESCRIBED OR EXPECTED.

8. *Limitations on Damages and Liability:*

8.1 *General Limitations.* IN NO EVENT SHALL TI BE LIABLE FOR ANY SPECIAL, COLLATERAL, INDIRECT, PUNITIVE, INCIDENTAL, CONSEQUENTIAL, OR EXEMPLARY DAMAGES IN CONNECTION WITH OR ARISING OUT OF THESE TERMS OR THE USE OF THE EVMS , REGARDLESS OF WHETHER TI HAS BEEN ADVISED OF THE POSSIBILITY OF SUCH DAMAGES. EXCLUDED DAMAGES INCLUDE, BUT ARE NOT LIMITED TO, COST OF REMOVAL OR REINSTALLATION, ANCILLARY COSTS TO THE PROCUREMENT OF SUBSTITUTE GOODS OR SERVICES, RETESTING, OUTSIDE COMPUTER TIME, LABOR COSTS, LOSS OF GOODWILL, LOSS OF PROFITS, LOSS OF SAVINGS, LOSS OF USE, LOSS OF DATA, OR BUSINESS INTERRUPTION. NO CLAIM, SUIT OR ACTION SHALL BE BROUGHT AGAINST TI MORE THAN TWELVE (12) MONTHS AFTER THE EVENT THAT GAVE RISE TO THE CAUSE OF ACTION HAS OCCURRED.

8.2 *Specific Limitations.* IN NO EVENT SHALL TI'S AGGREGATE LIABILITY FROM ANY USE OF AN EVM PROVIDED HEREUNDER, INCLUDING FROM ANY WARRANTY, INDEMNITY OR OTHER OBLIGATION ARISING OUT OF OR IN CONNECTION WITH THESE TERMS, , EXCEED THE TOTAL AMOUNT PAID TO TI BY USER FOR THE PARTICULAR EVM(S) AT ISSUE DURING THE PRIOR TWELVE (12) MONTHS WITH RESPECT TO WHICH LOSSES OR DAMAGES ARE CLAIMED. THE EXISTENCE OF MORE THAN ONE CLAIM SHALL NOT ENLARGE OR EXTEND THIS LIMIT.

9. *Return Policy.* Except as otherwise provided, TI does not offer any refunds, returns, or exchanges. Furthermore, no return of EVM(s) will be accepted if the package has been opened and no return of the EVM(s) will be accepted if they are damaged or otherwise not in a resalable condition. If User feels it has been incorrectly charged for the EVM(s) it ordered or that delivery violates the applicable order, User should contact TI. All refunds will be made in full within thirty (30) working days from the return of the components(s), excluding any postage or packaging costs.

10. *Governing Law:* These terms and conditions shall be governed by and interpreted in accordance with the laws of the State of Texas, without reference to conflict-of-laws principles. User agrees that non-exclusive jurisdiction for any dispute arising out of or relating to these terms and conditions lies within courts located in the State of Texas and consents to venue in Dallas County, Texas. Notwithstanding the foregoing, any judgment may be enforced in any United States or foreign court, and TI may seek injunctive relief in any United States or foreign court.

Mailing Address: Texas Instruments, Post Office Box 655303, Dallas, Texas 75265  
Copyright © 2023, Texas Instruments Incorporated



## IMPORTANT NOTICE AND DISCLAIMER

TI PROVIDES TECHNICAL AND RELIABILITY DATA (INCLUDING DATA SHEETS), DESIGN RESOURCES (INCLUDING REFERENCE DESIGNS), APPLICATION OR OTHER DESIGN ADVICE, WEB TOOLS, SAFETY INFORMATION, AND OTHER RESOURCES "AS IS" AND WITH ALL FAULTS, AND DISCLAIMS ALL WARRANTIES, EXPRESS AND IMPLIED, INCLUDING WITHOUT LIMITATION ANY IMPLIED WARRANTIES OF MERCHANTABILITY, FITNESS FOR A PARTICULAR PURPOSE OR NON-INFRINGEMENT OF THIRD PARTY INTELLECTUAL PROPERTY RIGHTS.

These resources are intended for skilled developers designing with TI products. You are solely responsible for (1) selecting the appropriate TI products for your application, (2) designing, validating and testing your application, and (3) ensuring your application meets applicable standards, and any other safety, security, regulatory or other requirements.

These resources are subject to change without notice. TI grants you permission to use these resources only for development of an application that uses the TI products described in the resource. Other reproduction and display of these resources is prohibited. No license is granted to any other TI intellectual property right or to any third party intellectual property right. TI disclaims responsibility for, and you will fully indemnify TI and its representatives against, any claims, damages, costs, losses, and liabilities arising out of your use of these resources.

TI's products are provided subject to [TI's Terms of Sale](#) or other applicable terms available either on [ti.com](https://www.ti.com) or provided in conjunction with such TI products. TI's provision of these resources does not expand or otherwise alter TI's applicable warranties or warranty disclaimers for TI products.

TI objects to and rejects any additional or different terms you may have proposed.

Mailing Address: Texas Instruments, Post Office Box 655303, Dallas, Texas 75265  
Copyright © 2023, Texas Instruments Incorporated