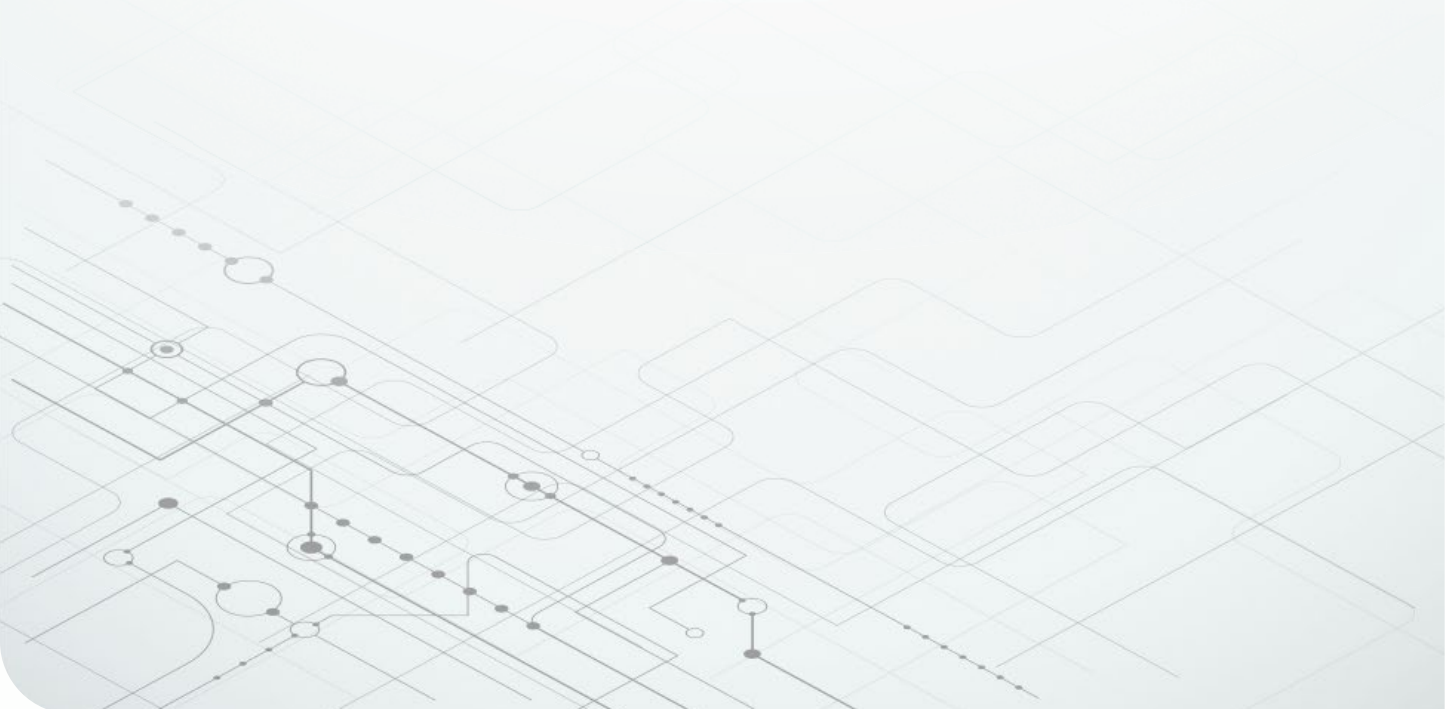


Evolving Semiconductor Technologies for Modern Telehealth Applications



Sanjay Pithadia
Systems Engineer, Medical
Texas Instruments



Health care continues to evolve toward self-treatment and away from in-person appointments. In addition to helping reduce physical contact, new technologies have given the general population unprecedented access to health care tools for self-monitoring and remote treatments.

At a glance

This paper looks at technological developments that have affected the telehealth industry and the associated design challenges.



1 Biosensing

There is a high level of complexity in designs associated with biosensing and wearable medical devices.



2 Power optimization

Portable and wearable patient monitors are typically battery-powered, making battery life a differentiator.



3 Connectivity

Connectivity is a critical aspect of patient-monitoring systems and remote health care devices.



4 Data security

Patient data is proprietary information and data theft is a serious threat.

Whether it's providing mobility to an aging population, helping with infectious disease containment, reducing emergency response times or delivering health care to rural areas, telehealth has become invaluable in times like these.

In this white paper, I'll describe newer technological developments that have greatly affected the telehealth and telemedicine industry, along with associated design challenges for both hospitals and homes. These challenges include how to sense vital signs, minimize power consumption, increase accuracy and reliability, improve connectivity, and squeeze features into size-constrained applications.

Addressing design challenges in biosensing applications

There is typically a high level of complexity in designs associated with biosensing and wearable medical devices. **Figure 1** on the following page shows how it's possible to monitor multiple patients at different locations wirelessly, with their vital signs shown on a monitor at a nurses station at

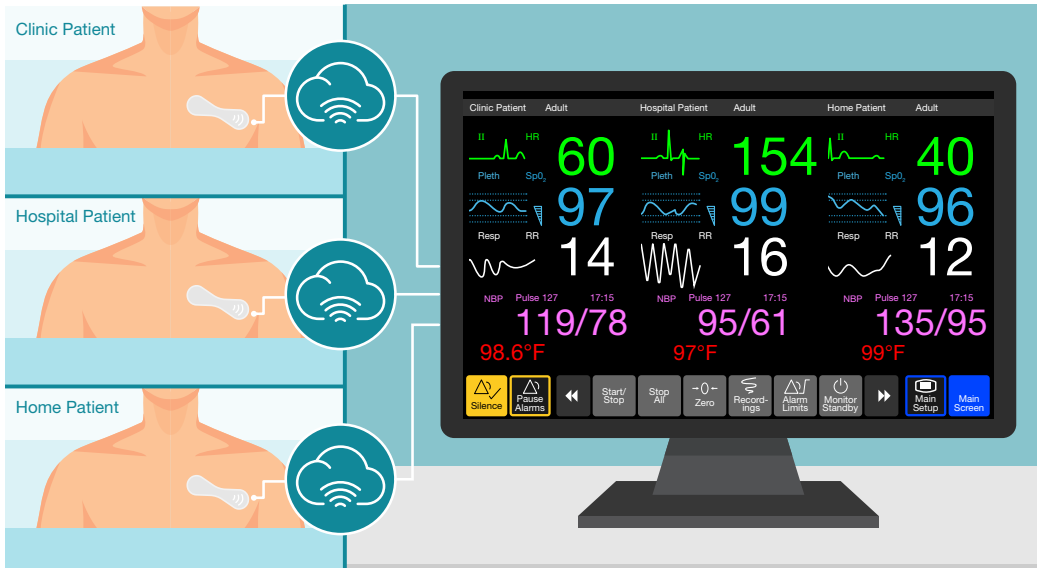


Figure 1. Wireless vital sign monitoring for multiple patients.

a hospital. Because the use case can vary from patient to patient, the design complexity also increases in terms of power consumption, size and connectivity.

Analog front-end (AFE) devices—which assist with interfacing digital electronics to the noise-, time- and light-sensitive sensors used in medical applications—have significantly impacted telehealth end equipment such as pulse oximeters and heart-rate monitors. AFE devices help manage the typical challenges associated with medical applications, including reliability in patient-monitoring systems, power consumption for wearable devices and flexibility for nonstandard peripherals.

Biosensing AFEs support heart-rate monitoring and variability, saturation of peripheral capillary oxygen (SpO_2), hearing aids and optical blood-pressure measurements, along with many other biosensing functionalities. AFEs such as the [AFE4400](#) come fully integrated with on-chip optics and diagnostics for sensing and LED fault detection, improving reliability in pulse-oximetry systems. Highly configurable timing controllers for nonstandard connections and ultra-low-power features that

enable low quiescent current during normal and standby operation make AFEs a good fit for compact, battery-powered wearable electronics and optical-based measurements and monitoring.

In addition to pulse oximetry, wearable temperature patches are an emerging trend in patient temperature-monitoring applications. Given that body temperature can help reveal the medical status of at-risk patients, these patches have become increasingly popular for those who require continuous remote monitoring, and are available at fairly affordable price points. Temperature measurements conducted for the purpose of medical diagnostics must meet American Society for Testing and Materials maximum error values, and meeting these values requires several design considerations. For example, one way to reduce the error value is to make good thermal contact while isolating other ambient heat sources. Texas Instruments (TI) has optimized the high-accuracy, low-power [TMP117M digital temperature sensor](#) to minimize self-heating; the sensor is available in a very, very thin small-outline no-lead package that makes it possible to use for skin-IC thermal

transfer. To learn more, read our blog “[Design considerations for a wearable temperature monitoring system.](#)”

Figure 2 shows the [Multiparameter front-end reference design for vital signs patient monitor](#), a battery-powered multiparameter patient-monitoring design for measuring vital signs such as the electrical activity of the heart, SpO₂ or respiration. This system uses multiple AFEs (the [AFE4403](#) and [ADS1292R](#)) and TMP117 temperature sensors to accurately measure pulse characteristics, electrical activity and skin temperature ($\pm 0.1^{\circ}\text{C}$) while providing connections to pace-detection modules for pacemaker detection applications. Although it's common for biosensing applications to require configurable gains and data rates due to the nature of electrodes and fluctuating optical signals, using a highly programmable analog-to-digital converter such as the ADS1292R helps manage the biopotentials.



Figure 2. Multiparameter front-end reference design.

Power optimization

Because they're designed to measure and monitor continuously, portable and wearable patient monitors are typically battery-powered, making battery life a differentiator between products. Battery-powered systems require careful partitioning, smart use of little space and efficient power consumption. Patients and physicians want more features delivered more efficiently in smaller packages and longer times between recharging—that's a tall order for a battery.

Designers can use low-power microcontrollers (MCUs) and analog ICs, but they won't be able to leverage most of the latest technologies in a design unless they optimize power management. The power architecture must be as efficient as possible and have extended battery run times.

For battery-powered designs incorporating an MCU, leveraging power-saving functions such as sleep, hibernate and shutdown can help greatly extend battery life. Wakeup times and standby power consumption also play vital roles for wireless connectivity.

In addition to digital power-saving options, designers must also consider analog power-management components such as regulators or DC/DC converters to maximize efficiency, incorporating load switches to disable peripherals when not in use and selecting the battery type and optimizing its charge profile.

[Ship mode](#) uses several components to prolong battery life during the shipment and shelf life of battery-powered electronics such as wearables. The [TPS22916](#) load switch can act as a noninvasive circuit separate from the main electronics, minimizing leakage and disconnecting the battery from the system through a general-purpose input/output signal dedicated to an MCU pin or through a button. Figure 3 demonstrates the simplicity of this circuit.

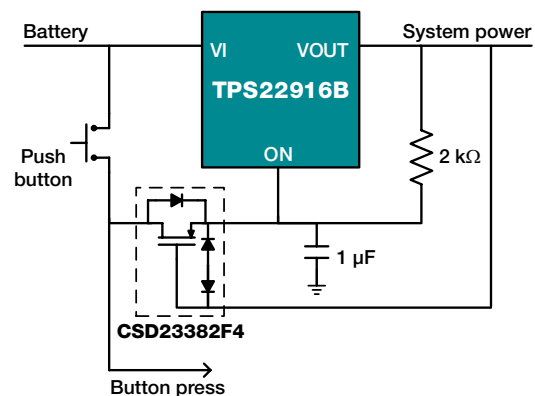


Figure 3. Using the TPS22916 in ship mode.

In addition to power management during shipping and storage, battery-life monitoring, reporting and prediction has improved greatly with the use of fuel-gauge ICs that are cost-effective and offer ultra-low power-consumption features. Many fuel-gauge ICs come in ultra-small ball-grid array packages containing pre-programmed chemistry profiles to track battery capacity, state of charge and voltage using TI's Impedance Track™ technology algorithm.

Connectivity technology for remote monitoring systems

In addition to power, connectivity is another critical aspect of patient-monitoring systems and remote health care devices. Patient monitors requiring crisp and clean displays with high-resolution visualization and readouts may require high-speed or dual-core processing. Arm processors such as the Sitara™ technology ARM® Cortex®-A family provide support for user interfaces in higher-end patient monitors. For example, the [AM3358](#) processor consists of a scalable Arm Cortex-A8 core and 3D graphic display capabilities.

While faster processing is useful for displays, there are some major challenges around wireless connectivity such as latency and high-data-rate requirements for real-time vital sign display. Wireless modules such as [TI's WiLink™ 8 technology device family](#) contain dual-band Wi-Fi®, Bluetooth® or a combination of both (**Figure 4**); these modules are meant for applications with throughput up to 100 Mbps, and complement the Sitara processor. They provide enterprise-level Wi-Fi security, Wi-Fi

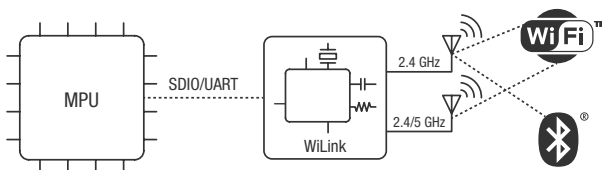


Figure 4. WiLink Wi-Fi and Bluetooth combination technology.

Protected Access 3 and Federal Information Processing Standards 140-2 certification from the U.S. government.

Another challenge with designing for wireless connectivity, specifically with wearable devices, is high-power use associated with radio transmission, as well as the management of bulky radio modules in compact applications. The [Bluetooth-enabled high-accuracy skin temperature measurement flex PCB patch reference design](#) (**Figure 5**) demonstrates how high-accuracy temperature sensing ($\pm 0.1^\circ\text{C}$)—combined with a 2.4-GHz radio-frequency transceiver and a low-power, wireless MCU running a full Bluetooth stack on a small, flexible printed circuit board (PCB)—works in battery-powered thermometer-patch applications that can report temperature remotely. An ultra-low-power MCU such as the [CC2640R2E](#), which the Bluetooth-enabled PCB patch reference design includes, can help optimize for low-energy transmission and standby or shutdown states with accelerated wakeup times.

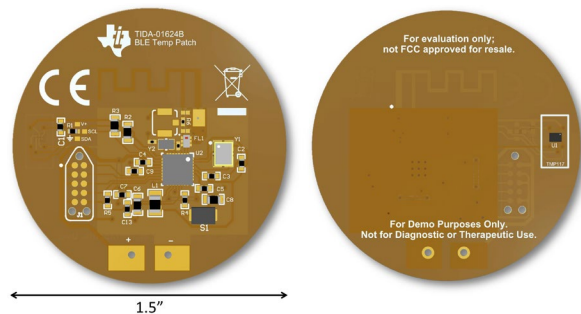


Figure 5. PCB patch reference design.

Data security

Wireless medical sensor patches and patient monitors need best-in-class security. Patient data is proprietary information and data theft is a serious threat.

There are already several security measures designed to protect intellectual property (IP)

and data sent between patients and physicians. These measures should protect against attacks and secure data transmissions, not only while processing and converting to vital-sign parameters for display but during transfer as well. This is called over-the-air security.

While AFE biosensing devices with optimized form factors, multimodal sensing and power consumption have given design engineers highly useful tools and components for developing telehealth applications, combination MCU/radio devices and multicore processors have also enabled remote applications in which high-throughput, continuous data streaming is critical for patient visualization and readouts like continuous vital sign displays at nurse stations.

Conclusion

As biomedical designers resolve challenges and deliver better wireless patient monitors and patches to market at more affordable prices—and in smaller sizes, but with connectivity—the medical world will evolve rapidly. From hospitals in developed countries, to telemedicine centers in developing countries, to the triage of injured soldiers in the field, wearables will change the health care landscape and help provide better care.

Important Notice: The products and services of Texas Instruments Incorporated and its subsidiaries described herein are sold subject to TI's standard terms and conditions of sale. Customers are advised to obtain the most current and complete information about TI products and services before placing orders. TI assumes no liability for applications assistance, customer's applications or product designs, software performance, or infringement of patents. The publication of information regarding any other company's products or services does not constitute TI's approval, warranty or endorsement thereof.

Impedance Track, Sitara and WiLink are trademarks of Texas Instruments. All other trademarks are the property of their respective owners.

IMPORTANT NOTICE AND DISCLAIMER

TI PROVIDES TECHNICAL AND RELIABILITY DATA (INCLUDING DATASHEETS), DESIGN RESOURCES (INCLUDING REFERENCE DESIGNS), APPLICATION OR OTHER DESIGN ADVICE, WEB TOOLS, SAFETY INFORMATION, AND OTHER RESOURCES "AS IS" AND WITH ALL FAULTS, AND DISCLAIMS ALL WARRANTIES, EXPRESS AND IMPLIED, INCLUDING WITHOUT LIMITATION ANY IMPLIED WARRANTIES OF MERCHANTABILITY, FITNESS FOR A PARTICULAR PURPOSE OR NON-INFRINGEMENT OF THIRD PARTY INTELLECTUAL PROPERTY RIGHTS.

These resources are intended for skilled developers designing with TI products. You are solely responsible for (1) selecting the appropriate TI products for your application, (2) designing, validating and testing your application, and (3) ensuring your application meets applicable standards, and any other safety, security, or other requirements. These resources are subject to change without notice. TI grants you permission to use these resources only for development of an application that uses the TI products described in the resource. Other reproduction and display of these resources is prohibited. No license is granted to any other TI intellectual property right or to any third party intellectual property right. TI disclaims responsibility for, and you will fully indemnify TI and its representatives against, any claims, damages, costs, losses, and liabilities arising out of your use of these resources.

TI's products are provided subject to TI's Terms of Sale (www.ti.com/legal/termsofsale.html) or other applicable terms available either on ti.com or provided in conjunction with such TI products. TI's provision of these resources does not expand or otherwise alter TI's applicable warranties or warranty disclaimers for TI products.

Mailing Address: Texas Instruments, Post Office Box 655303, Dallas, Texas 75265
Copyright © 2020, Texas Instruments Incorporated