

AN-2028 LMH2191 Evaluation Board

1 General Description

The evaluation board ([Figure 1](#)) is designed to help the evaluation of the LMH2191 Dual Channel 52 MHz Clock Tree Driver. The LMH2191 is ideal suitable for the distribution of a system clock to peripheral devices in mobile handsets. It provides a solution to clocking issues such as limited drive capability, protection of the master clock from varying loads and frequency pulling effects, isolation from noisy modules, and crosstalk isolation. It has very low phase noise which enables it to drive sensitive modules such as Wireless LAN and Bluetooth.

The setup of the evaluation board consist of three segments:

- The TCXO oscillator that generates the clock signal that is fed to the clock buffer.
- The circuit around the LMH2191 itself. The DUT needs a stable supply to be able to operate adequately. Furthermore there is the possibility to switch each CLK output ON and OFF separately using a CLK request jumper setting or an external connector. Each clock output has several different capacitive load settings which are selectable by using jumper shorts. Each clock output is also fed to an SMA connector.
- The output buffer, that makes it possible to monitor both clock outputs or the TCXO voltage one by one by jumper selection. The output buffer is capable to drive a 50 ohm cable in order to connect the test board to measuring equipment.

2 Detailed Operating Description

The LMH2191 evaluation board is designed to have maximum flexibility in evaluating the LMH2191 in various configurations. The schematic, Bill of material and board layout can be found at the end of this application report. In the following sections, a description is given on how the circuit works and how to setup the measurement bench. For the factory default jumper setting, refer to [Section 3](#).

2.1 Power Supply

The board is powered by the use of banana connections, which is mostly a preferable connector type rather than a multi pole connector. The DUT (LMH2191) uses a single supply called V_{BAT} while the output buffer, used for monitoring the CLK outputs and the TCXO voltage, is powered by a dual supply (called $V+$ & $V-$). The supply for the DUT ranges from 2.5V to 5.5V while the supply for the output buffer (LMH6559) has a fixed voltage of +5V and -5V. The output voltage of the LDO is 1.8V and can be monitored on an extra banana connector called V_{OUT} .

2.1.1 TCXO Supply

The supply for this on-board oscillator is done by the LMH2191 via the V_{OUT} pin. The V_{OUT} voltage is decoupled by C13 and C14 and is connected to jumper J8 pin 2. For normal operation, pin 1 and pin 2 are shorten and the LDO voltage is connected to the supply pin of the TCXO. If, for any reason, an external supply is needed, this supply voltage can be connected to J8 at the pins 3 and 4. Pin 3 is the supply of the TCXO and pin 4 is the ground connection. (NOTE: The jumper short for the pins 1 and 2 must be removed then).

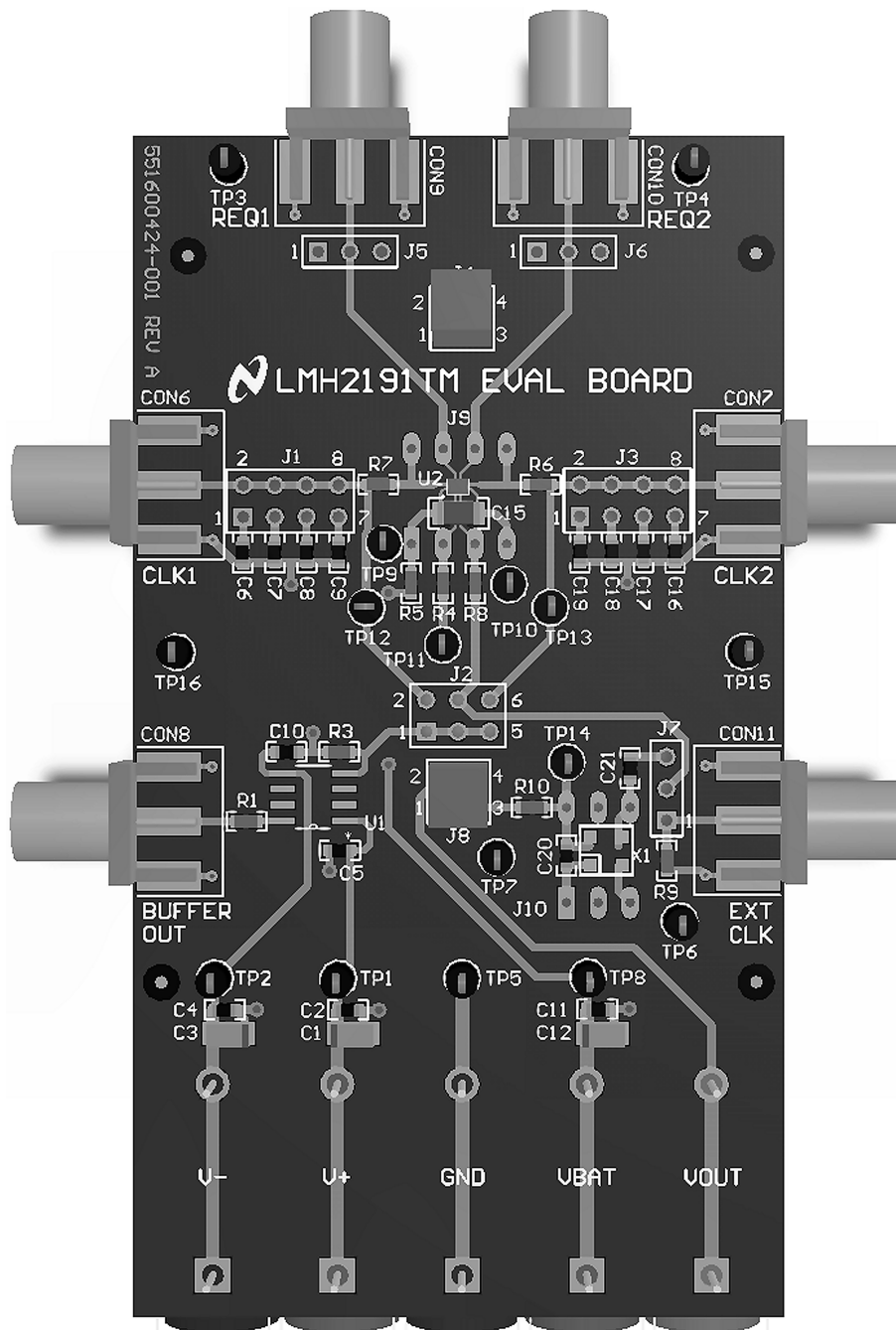


Figure 1. LMH2191 Evaluation Board

2.2 Clock Buffer LMH2191

The oscillator frequency of the TCXO or any external input frequency is fed to the SCLK_IN pin of the LMH2191 (DUT). The input of the DUT is AC coupled because of an internal coupling capacitor of around 30 pF. This means that any DC voltage added to the input frequency doesn't disturb the DUT from functioning.

The DUT has two clock outputs which can be switched ON or OFF independently. When both outputs are switched OFF the part is in shutdown mode and that means that the LDO is switched OFF too. In case the TCXO is powered by the on board LDO of the DUT, the input frequency is switched OFF too. The current consumption drops down to zero. ON and OFF switching of the outputs is performed by both CLK_REQ inputs. Any of the clock outputs is OFF when the matching request input is low, thus connected to ground or a voltage below 400 mV.

The testboard provides two jumpers J5 and J6 and the SMA edge launch connectors CON9 and CON10 connected to the CLK_REQ inputs, to switch the clock outputs ON or OFF. Each clock request input has an internal pull down resistor of 200k Ω which means that when no jumper is placed the clock output is OFF. To force a clock output to ON the voltage on the request pin must raise above 1.4V. The voltage used to toggle the outputs ON or OFF is V_{BAT} or an external voltage applied to the connectors CON9 and CON10. If an external voltage is used, the jumpers for J5 and J6 must be removed. In default configuration V_{BAT} is used via the short on J5 and J6 to create a HIGH or LOW level for the CLK_REQ inputs. In case there is a need to use an external voltage to create the HIGH or LOW level on the CLK_REQ inputs this external voltage can be applied to J4 at the pins 3 and 4. Pin 3 is the ground connection and pin 4 is the alternate voltage for V_{BAT} . (NOTE: The jumper short for the pins 1 and 2 must be removed then).

Both outputs are connected to an SMA edge launch connector (CON6 and CON7) and to the header blocks J1 and J3. These headers are used to load the output with a specific capacitive load. There are four capacitors that can be chosen to load the output. The lowest capacitor value is 10 pF and the highest value is 47 pF. Using these capacitors each of the outputs can have a capacitive load varying from 10 pF to 112 pF. When no jumper is placed on J1 or J3 the capacitive load is reduced to the capacity that arises through the connected pcb tracks. When a cable connection is made at CON6 and CON7 be aware that the capacitive load increases, and that due to insufficient termination and 50 ohm drive capability the output signals can deteriorate.

2.2.1 Buffering the Clock Signals

To be able to connect the output signals and the TCXO signal to measuring equipment a high bandwidth buffer (LMH6559) is included on the pcb. The output of this buffer is connected to an SMA edge launch connector (CON8). This buffer is capable to drive a 50 ohm cable and load with a high magnitude. The input of the buffer consists of a 6pin header block (J2) and has a pull down resistor of 100 k Ω to assure the output is zero in case no jumper is placed on J2. Both CLK1 and CLK2 and the TCXO output signal are connected to J2. By placing a jumper between pin 1 and 2 the CLK1 output signal is buffered and fed to CON8. Placing the jumper between pin 3 and 4 connects the TCXO signal to CON8 and with the jumper placed over the pins 5 and 6 the CLK2 signal is connected to CON8. The resistor R1, placed as a series resistor in the output line, creates the possibility to use series termination in combination with the connected cable and load. The default value for this resistor is zero ohm.

3 Configuration

The LMH2191 evaluation board can be configured via jumper settings. An overview of the various jumper positions on the board is given in [Figure 2](#). The settings of these jumpers and their functions are listed in [Table 1](#).

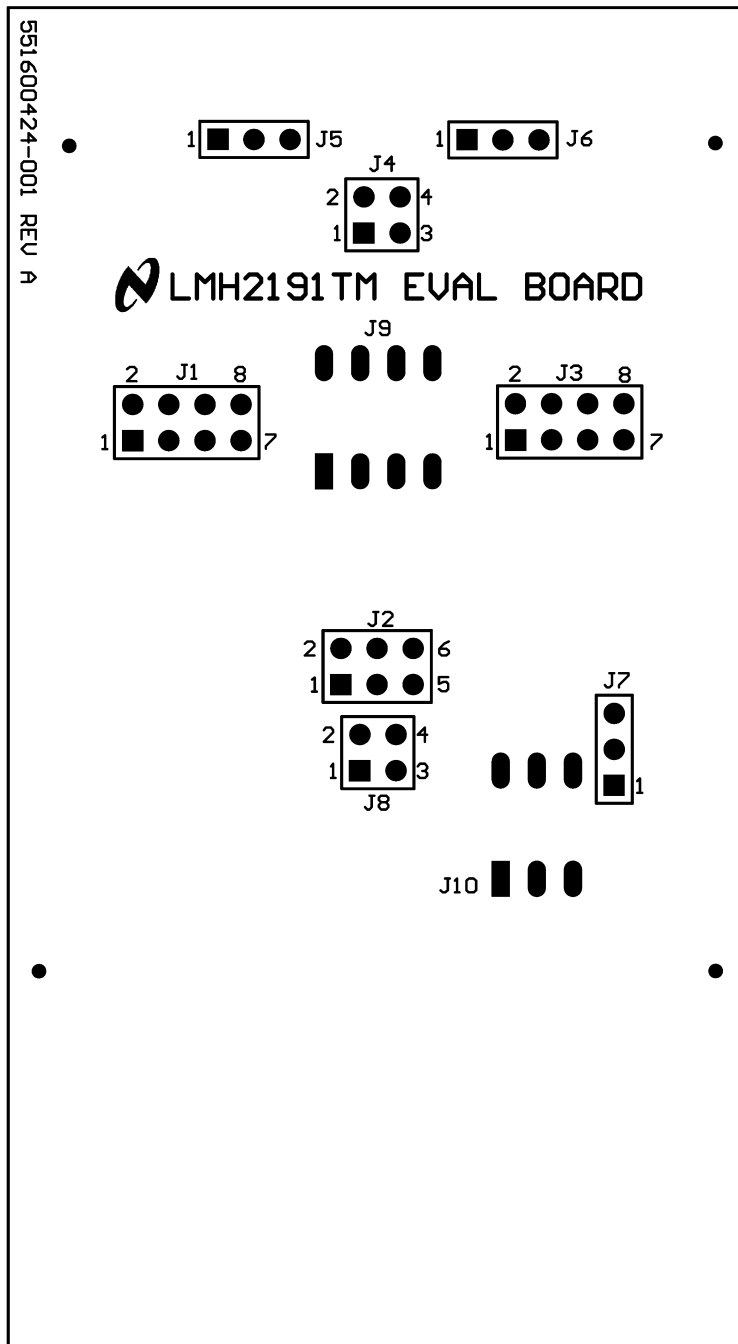


Figure 2. Jumper Positions

Table 1. Jumper and Header Overview⁽¹⁾

Jumper	Function	Jumper Position	Description
J1	CLK1 Capacitive Load selection	1-2	Connects 10 pF from CLK1 to GND
		3-4	Connects 22 pF from CLK1 to GND
		5-6	Connects 33 pF from CLK1 to GND
		7-8	Connects 47 pF from CLK1 to GND
J2	Input signal selection for buffer LMH6559	1-2	CLK1 selected
		3-4	TCXO selected
		5-6	CLK2 selected
J3	CLK2 Capacitive Load selection	1-2	Connects 47 pF from CLK1 to GND
		3-4	Connects 33 pF from CLK1 to GND
		5-6	Connects 22 pF from CLK1 to GND
		7-8	Connects 10 pF from CLK1 to GND
J4	CLK Request Supply Voltage	1-2	V_{BAT}
		3-4	External Supply. 3=ground; 4=V _{EXT}
J5	Manual CLK_REQ1 setting	Open	CLK_REQ1 can be controlled externally via CON9
		1-2	CLK_REQ1 = GND
		2-3	CLK_REQ1 = High.
J6	Manual CLK_REQ2 setting	Open	CLK_REQ2 can be controlled externally via CON11
		1-2	CLK_REQ2 = GND
		2-3	CLK_REQ2 = High.
J7	Frequency input selection for SCLK_IN	1-2	External input frequency
		2-3	On board TCXO
J8	TCXO Supply	1-2	TCXO is supplied by V_{OUT}
		3-4	External Supply. 3=V _{EXT} ; 4=ground
CON1	+5V		Positive Supply for the buffer LMH6559. Banana Receptacle
CON2	-5V		Negative Supply for the buffer LMH6559. Banana Receptacle
CON3	GND		Ground Connection. Banana Receptacle
CON4	V _{OUT}		LDO output voltage Banana Receptacle
CON5	V _{BAT}		Supply Voltage of the DUT Banana Receptacle
CON6	CLK1		Clock 1 output voltage SMA Edge Launch receptacle
CON7	CLK2		Clock 2 output voltage SMA Edge Launch receptacle
CON8	V _{BUF}		Buffered output voltage for CLK1, CLK2 and TCXO SMA Edge Launch receptacle
CON9	CLK_REQ1		Connection for external signal for switching CLK1 ON or OFF SMA Edge Launch receptacle
CON10	CLK_REQ2		Connection for external signal for switching CLK2 ON or OFF SMA Edge Launch receptacle
CON11	Ext CLK		Connection for external clock signal. SMA Edge Launch receptacle
TP1	+5V		Test Point Buffer Supply
TP2	-5V		Test Point Buffer Supply
TP3	GND		Test Point ground

⁽¹⁾ Bold face jumper settings refer to the factory default configuration.

Table 1. Jumper and Header Overview⁽¹⁾ (continued)

Jumper	Function	Jumper Position	Description
TP4	GND		Test Point ground
TP5	GND		Test Point ground
TP6	GND		Test Point ground
TP7	GND		Test Point ground
TP8	V _{BAT}		Measured at the connector side
TP9	V _{BAT}		Measured at the DUT side
TP10	V _{OUT}		Measured at the DUT side
TP11	V _{OUT}		Measured at the connector side
TP12	CLK1		Clock 1 output Signal
TP13	CLK2		Clock 2 output Signal
TP14	TCXO Supply		Oscillator Supply
TP15	GND		Test Point ground
TP16	GND		Test Point ground

4 Measurement Setup

The performance of the LMH2191 can be measured with the setup shown in [Figure 3](#).

To verify all the functions of the part on the evaluation board, it is recommended to have the following equipment available:

- Multimeter
- Power Supply for dual supply of 5V and single supply of 3.5V
- Oscilloscope
- Signal Generator

Using the default settings, the TCXO is active and its signal is connected to the input of the LMP2191. Both CLK_REQ inputs are HIGH, which means that both CLK outputs are toggling at the TCXO frequency. The clock outputs are loaded with 33 pF and can be checked with a high impedance probe on TP12 (CLK1) and TP13 (CLK2). The clock signals are also connected to SMA edge launch connectors CON6 (CLK1) and CON7 (CLK2). All three signals (CLK1, CLK2, and TCXO) can be checked via another edge launch connector (CON8) and this signal is buffered via the LMH6559 and is capable to drive a 50 ohm cable and load. Jumper J2 selects which of the three signals is chosen to appear on this connector. The best way to check for pulse shape and bandwidth is to make use of the connector CON8.

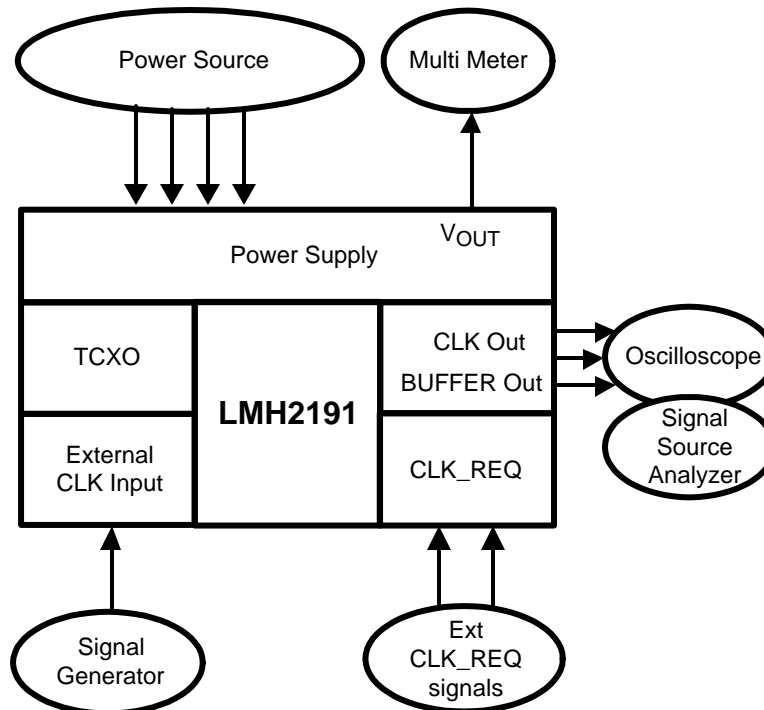


Figure 3. Test Setup

5 Schematic

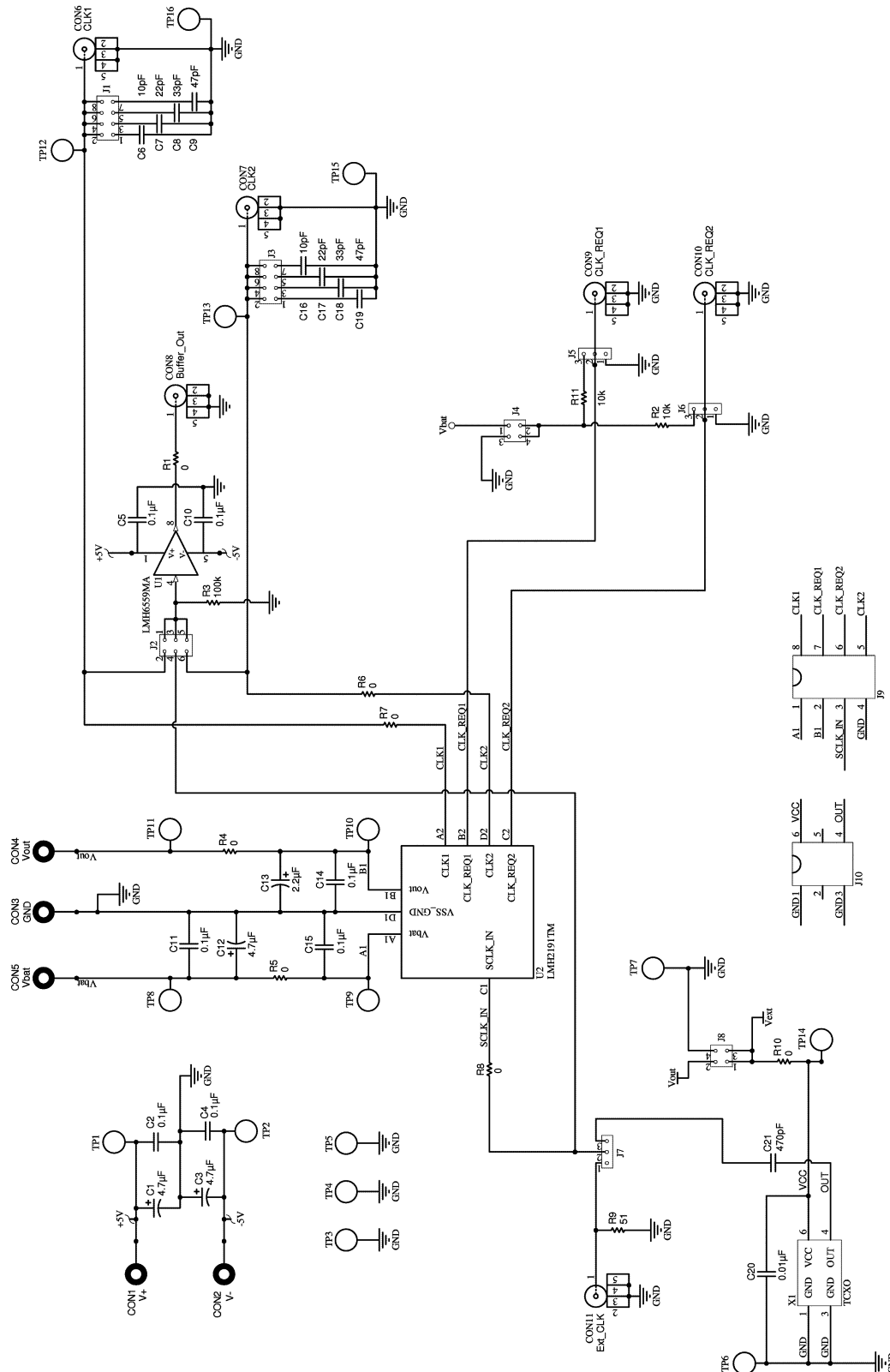


Figure 4. Evaluation Schematic

6 Bill of Material

The Bill of Material (BOM) of the evaluation board is in [Table 2](#).

Table 2. Bill of Material

Designator	Description	Comment
C1, C3, C12	Case A Capacitor	4.7 μ F
C2, C4, C5, C10, C11, C14	0603 Capacitor	0.1 μ F
C6, C16	0603 Capacitor	10 pF
C7, C17	0603 Capacitor	22 pF
C8, C18	0603 Capacitor	33 pF
C9, C19	0603 Capacitor	47 pF
C13	Case A Capacitor	2.2 nF
C15	1206 Capacitor	0.1 μ F
C20	0603 Capacitor	0.01 μ F
C21	0603 Capacitor	470 pF
CON1, CON2, CON3, CON4, CON5	Connector	Banana
CON6, CON7, CON8, CON9, CON10	Connector	SMA
J1, J3	Header	4x2
J2	Header	3x2
J4, J4	Header	2x2
J5, J6, J7	Header	3x1
J9	Test Socket	8 pin
J10	Test Socket	6 pin
R1, R4, R5, R6, R7, R8, R10	0603 Resistor	0 Ω
R2, R11	0603 Resistor	10 k Ω
R3	0603 Resistor	100 k Ω
R9	0603 Resistor	51 Ω
TP1, TP2, TP3, TP4, TP5, TP6, TP7, TP8, TP9, TP10, TP11, TP12, TP13, TP14, TP15, TP16	Test Point	NC
U1	IC	LMH6559
U2	IC	LMH2191
X1	TCXO - 26.000 MHz	Kyocera Corporation Part#: KT2520F26000ACW18TAL

7 Board Layout

As with any other device, careful attention must be paid to the board layout. If the board isn't properly designed, the performance of the device can be less than might be expected. Especially the input clock trace (SCLK_IN) and output traces (CLK1/2) should be as short as possible to reduce the capacitive load observed by the clock outputs. Also proper decoupling close to the device is necessary. Beside a capacitor in the μ F range, a capacitor of 100 nF on V_{BAT} and V_{OUT} is recommended close to the device. The equivalent series resistance (ESR) of the capacitors should be sufficiently low. A standard capacitor is usually adequate. The component locations of the evaluation board are shown in [Figure 5](#) and [Figure 6](#). The copper layers of are shown in [Figure 7](#) and [Figure 8](#).

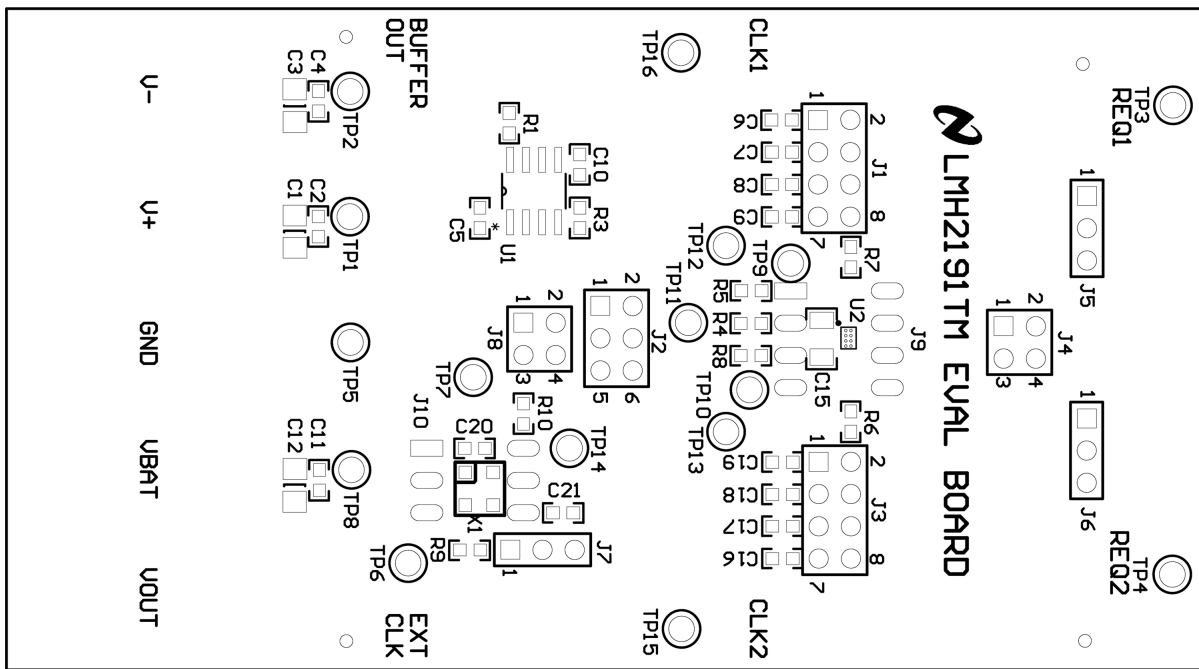


Figure 5. Component Locations Top Side

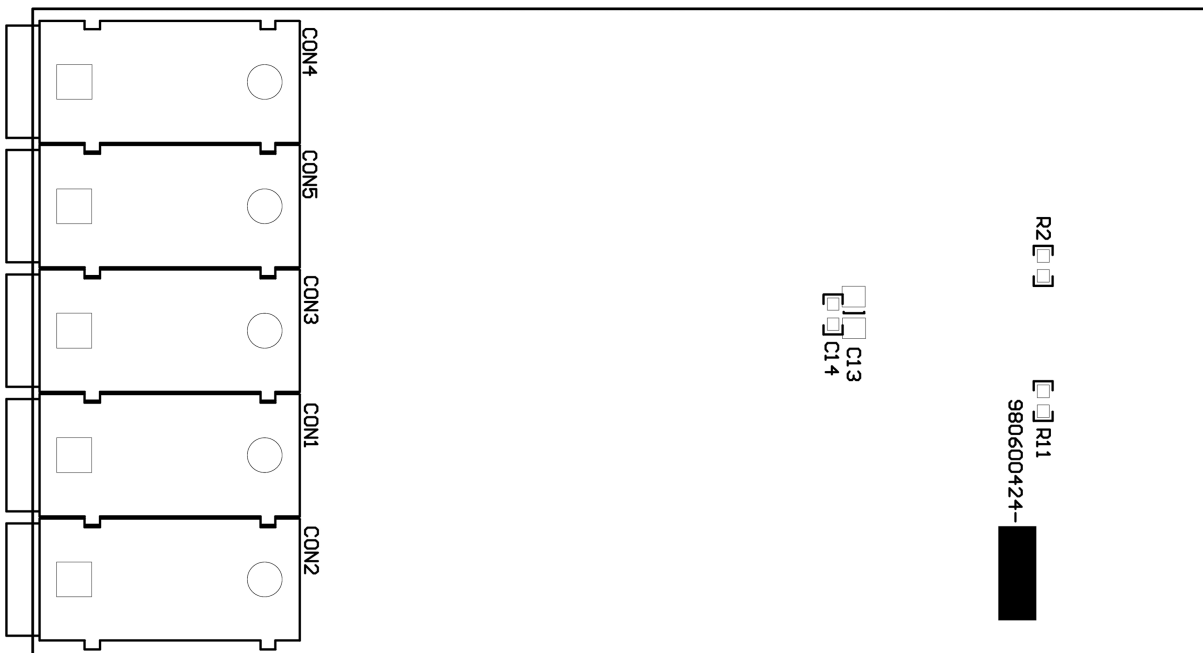


Figure 6. Component Locations Bottom Side (View from Bottom side)

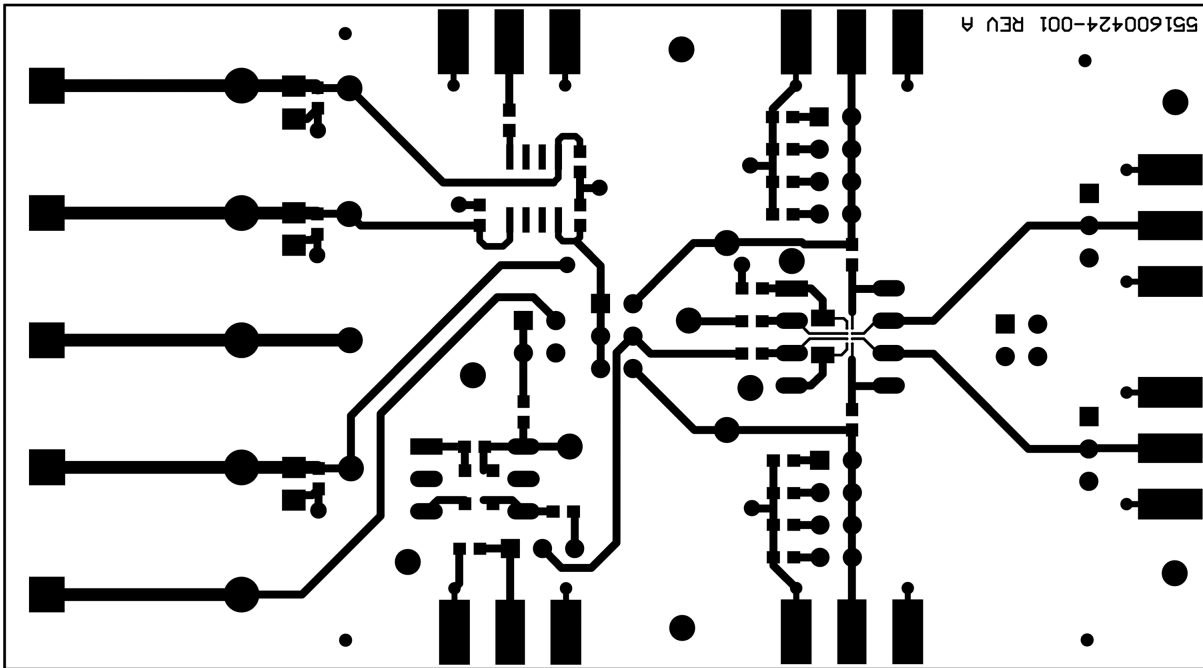


Figure 7. Top Layer of Evaluation Board

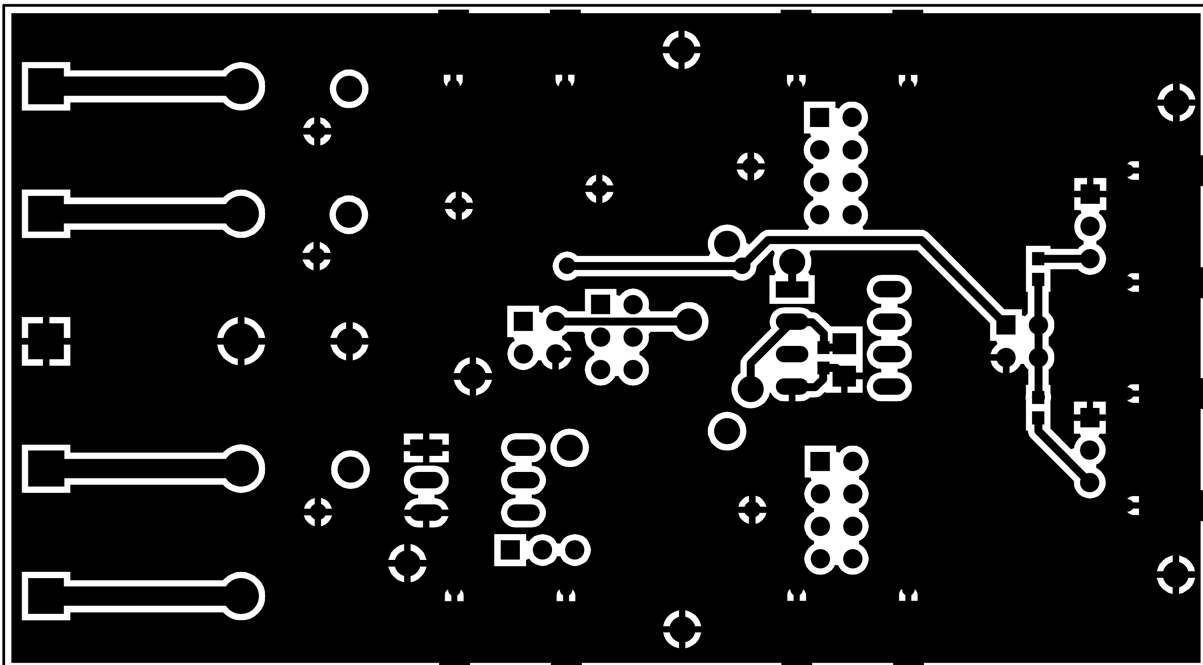


Figure 8. Bottom Layer of Evaluation Board

IMPORTANT NOTICE

Texas Instruments Incorporated and its subsidiaries (TI) reserve the right to make corrections, enhancements, improvements and other changes to its semiconductor products and services per JESD46, latest issue, and to discontinue any product or service per JESD48, latest issue. Buyers should obtain the latest relevant information before placing orders and should verify that such information is current and complete. All semiconductor products (also referred to herein as "components") are sold subject to TI's terms and conditions of sale supplied at the time of order acknowledgment.

TI warrants performance of its components to the specifications applicable at the time of sale, in accordance with the warranty in TI's terms and conditions of sale of semiconductor products. Testing and other quality control techniques are used to the extent TI deems necessary to support this warranty. Except where mandated by applicable law, testing of all parameters of each component is not necessarily performed.

TI assumes no liability for applications assistance or the design of Buyers' products. Buyers are responsible for their products and applications using TI components. To minimize the risks associated with Buyers' products and applications, Buyers should provide adequate design and operating safeguards.

TI does not warrant or represent that any license, either express or implied, is granted under any patent right, copyright, mask work right, or other intellectual property right relating to any combination, machine, or process in which TI components or services are used. Information published by TI regarding third-party products or services does not constitute a license to use such products or services or a warranty or endorsement thereof. Use of such information may require a license from a third party under the patents or other intellectual property of the third party, or a license from TI under the patents or other intellectual property of TI.

Reproduction of significant portions of TI information in TI data books or data sheets is permissible only if reproduction is without alteration and is accompanied by all associated warranties, conditions, limitations, and notices. TI is not responsible or liable for such altered documentation. Information of third parties may be subject to additional restrictions.

Resale of TI components or services with statements different from or beyond the parameters stated by TI for that component or service voids all express and any implied warranties for the associated TI component or service and is an unfair and deceptive business practice. TI is not responsible or liable for any such statements.

Buyer acknowledges and agrees that it is solely responsible for compliance with all legal, regulatory and safety-related requirements concerning its products, and any use of TI components in its applications, notwithstanding any applications-related information or support that may be provided by TI. Buyer represents and agrees that it has all the necessary expertise to create and implement safeguards which anticipate dangerous consequences of failures, monitor failures and their consequences, lessen the likelihood of failures that might cause harm and take appropriate remedial actions. Buyer will fully indemnify TI and its representatives against any damages arising out of the use of any TI components in safety-critical applications.

In some cases, TI components may be promoted specifically to facilitate safety-related applications. With such components, TI's goal is to help enable customers to design and create their own end-product solutions that meet applicable functional safety standards and requirements. Nonetheless, such components are subject to these terms.

No TI components are authorized for use in FDA Class III (or similar life-critical medical equipment) unless authorized officers of the parties have executed a special agreement specifically governing such use.

Only those TI components which TI has specifically designated as military grade or "enhanced plastic" are designed and intended for use in military/aerospace applications or environments. Buyer acknowledges and agrees that any military or aerospace use of TI components which have **not** been so designated is solely at the Buyer's risk, and that Buyer is solely responsible for compliance with all legal and regulatory requirements in connection with such use.

TI has specifically designated certain components as meeting ISO/TS16949 requirements, mainly for automotive use. In any case of use of non-designated products, TI will not be responsible for any failure to meet ISO/TS16949.

Products

Audio	www.ti.com/audio
Amplifiers	amplifier.ti.com
Data Converters	dataconverter.ti.com
DLP® Products	www.dlp.com
DSP	dsp.ti.com
Clocks and Timers	www.ti.com/clocks
Interface	interface.ti.com
Logic	logic.ti.com
Power Mgmt	power.ti.com
Microcontrollers	microcontroller.ti.com
RFID	www.ti-rfid.com
OMAP Applications Processors	www.ti.com/omap
Wireless Connectivity	www.ti.com/wirelessconnectivity

Applications

Automotive and Transportation	www.ti.com/automotive
Communications and Telecom	www.ti.com/communications
Computers and Peripherals	www.ti.com/computers
Consumer Electronics	www.ti.com/consumer-apps
Energy and Lighting	www.ti.com/energy
Industrial	www.ti.com/industrial
Medical	www.ti.com/medical
Security	www.ti.com/security
Space, Avionics and Defense	www.ti.com/space-avionics-defense
Video and Imaging	www.ti.com/video

TI E2E Community

e2e.ti.com