

Evaluation Board User's Guide

DAC121S101CVAL

12-Bit Micro Power Digital-to-Analog Converter with Rail-to-Rail Output

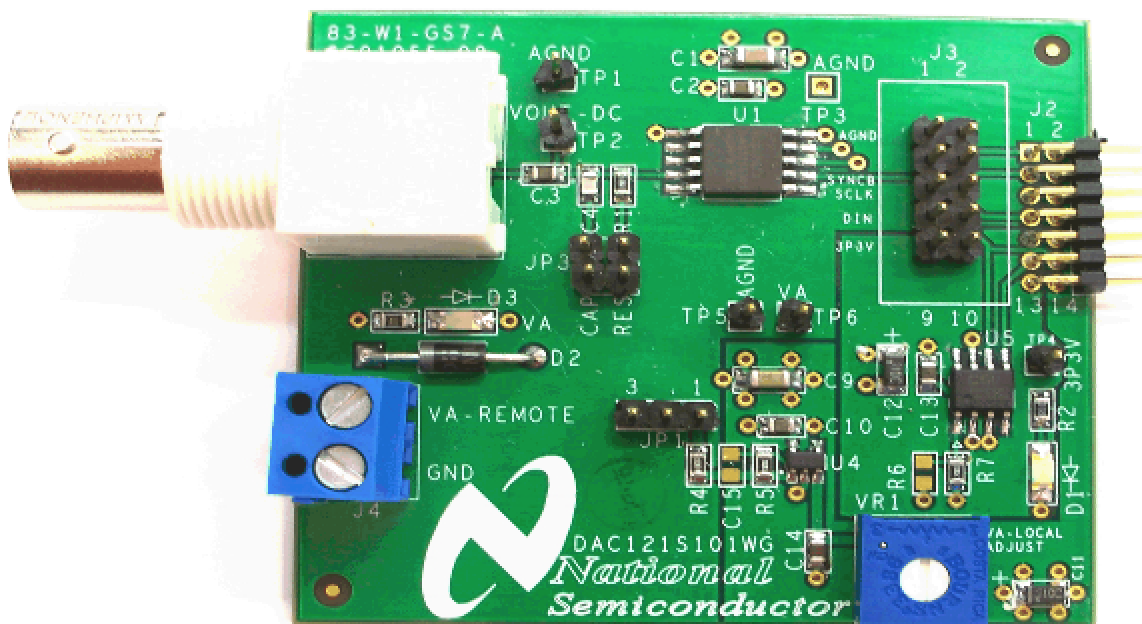


Table of Contents

| | |
|--|----|
| 1.0 Introduction..... | 4 |
| 2.0 Board Assembly..... | 5 |
| 3.0 Quick Start..... | 5 |
| 3.1 Stand-Alone Mode..... | 5 |
| 3.2 Computer Mode..... | 5 |
| 4.0 Functional Description..... | 5 |
| 4.1 Serial Interface..... | 6 |
| 4.2 DAC Reference Circuitry..... | 6 |
| 4.3 Analog Output..... | 6 |
| 4.4 Power Supply Connections..... | 6 |
| 5.0 Software Operation and Settings..... | 6 |
| 6.0 Evaluation Board Specifications..... | 7 |
| 7.0 Hardware Schematic..... | 8 |
| 8.0 Evaluation Board Bill of Materials..... | 9 |
| A1.0 Summary Tables of Test Points, Jumpers, and Connectors..... | 10 |
| A2.0 Enlarged Timing Diagram..... | 10 |

[Blank Page]

1.0 Introduction

The DAC121S101CVAL Design Kit (consisting of the DAC121S101WG Evaluation Board and this User's Guide) are designed to ease evaluation and design-in of the National Semiconductor DAC121S101WG 12-bit Micro-Power Digital-to-Analog Converters with Rail-to-Rail Output. This device will be referenced throughout this document as the DAC121S101WG.

The evaluation board can be used in either of two modes. In the Stand-Alone mode, suitable test equipment, such as a pattern generator and signal analyzer, can be used with the board to evaluate the DAC121S101WG performance.

In the Computer mode, data capture and evaluation is simplified by connecting this board to National Semiconductor's Data Capture Board (order number WAVEVSN BRD 4.0) with a custom interface cable

(part number WV4DACIFCABLE at www.national.com). The Data Capture (WV4) Board is connected to a personal computer running WaveVision software through a USB port. The WaveVision4 software runs on Microsoft Windows, and the latest version can be downloaded from the web at <http://www.national.com/adc>.

Note: WaveVision Software version 4.2 or later is required to evaluate this part with the WV4 Evaluation System.

The WaveVision software allows the user to drive the DAC121S101WG with a variety of preset waveforms and custom waveforms. The software also allows the user to select the clock frequency of the serial interface.

Data transmitted to the DAC121S101WG via a serial interface is converted to an analog waveform by U1, the DAC121S101WG.

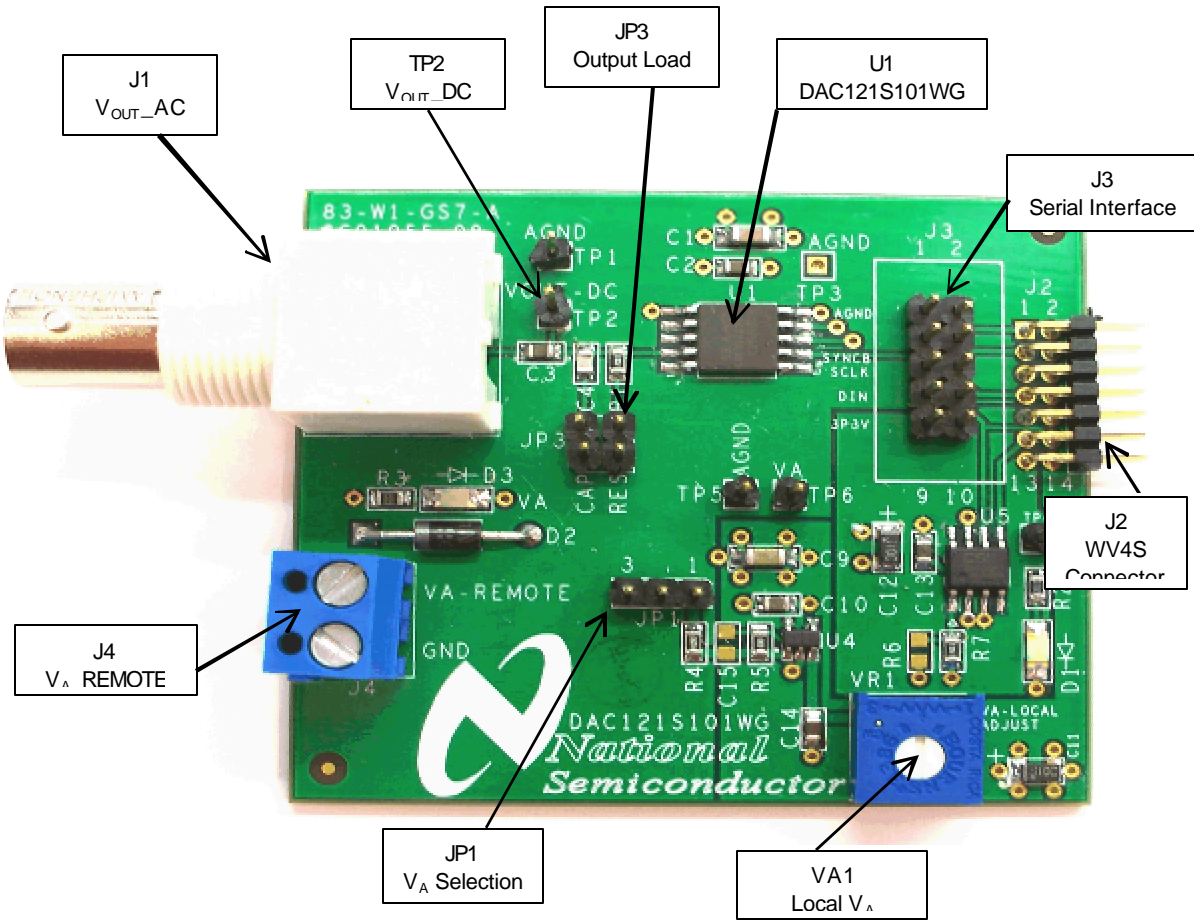


Figure 1: Component and Test Point Locations

2.0 Board Assembly

The DAC121S101WG evaluation board comes fully assembled and ready for use. Refer to the Bill of Materials for a description of components, to *Figure 1* for major component placement, and to *Figure 4* for the Evaluation Board schematic.

3.0 Quick Start

The DAC121S101WG evaluation board may be used in the Stand-Alone mode or Computer mode. In Stand-Alone mode, a Pattern Generator is used to drive the DAC121S101WG, and a Signal Analyzer is used to evaluate the analog output signal. In Computer Mode, a WaveVision4 Board is used to drive the DAC121S101WG and a Signal Analyzer is used to evaluate the analog output signal.

3.1 Stand-Alone Mode

Refer to *Figure 1* for locations of test points and major components.

1. Connect a clean analog (not switching) +5V power source to Power Connector J4 on the DAC121S101WG board and turn on the power. Place a jumper across pins 2 and 3 of JP1 to select VA_REMOTE.
2. Create the digital waveforms seen in *Figure 2* with your Logic Generator. Ensure that SCLK doesn't exceed 30MHz. Refer to Section 4.1: Serial Interface, and the DAC121S101QML Datasheet for further details.

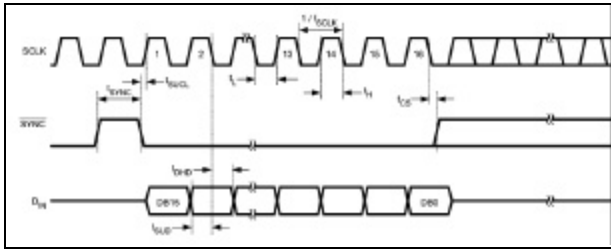


Figure 2: Digital Input Timing Diagram
(Refer to Appendix 2.0 for an enlarged version)

3. Connect your Logic Generator to Serial Interface header J3. Refer to *Figure 3* below for connection details.

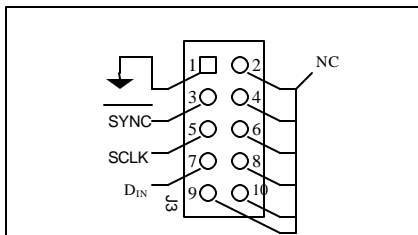


Figure 3: J3 Serial Interface Header

4. The Analog Output signal can be seen DC coupled at TP2, or AC coupled at BNC connector J1. See the board schematic of *Figure 4* for details.
5. Select the desired output load by adding jumpers to JP3. Connecting a jumper across pins 1 and 2 connects a 200pF load capacitance to ground. Connecting a jumper across pins 3 and 4 selects a 2k Ω resistive load. See *Table 1* for jumper configurations.

3.2 Computer Mode

Refer to *Figure 1* for locations of test points and major components.

1. Run the WaveVision4 program. While the program is loading, continue below.
2. Connect the "WV4DACIFCABLE" cable between J3 of the DAC121S101WG evaluation board and J3 of the WV4 board. Note: the "WV4DACIFCABLE" is available at www.national.com.
3. Connect a USB cable between the WaveVision4 Board and the PC running the WaveVision4 software.
4. Connect a clean analog (not switching) +5V power source to Power Connector J1 on the WaveVision4 Board.
5. Place a jumper across pins 2 and 3 of JP1 on the DAC121S101WG board to select VA_REMOTE.
6. Using a jumper cable, connect TP9 of the WaveVision4 board to TP6 of the DAC121S101WG board.
7. Using another jumper cable, connect TP10 of the WaveVision4 board to TP4 of the DAC121S101WG board. See Section 4.4 for detailed Power Supply Information.
8. Perform steps 4 and 5 of section 3.1 above.
9. Refer to section 5.0 on Software Operation and Settings.

4.0 Functional Description

Table 1 describes the function of the various jumpers on the DAC121S101WG evaluation board. The Evaluation Board schematic is shown in *Figure 4*.

| Jumper | Pins 1 & 2 | Pins 2 & 3 |
|--------|---------------------------------|--------------------------|
| JP1 | Select VA_LOCAL from VR1 adjust | Select VA_REMOTE from J4 |
| JP2 | Not used | |

| Jumper | Pins 1 & 2 | Pins 3 & 4 |
|--------|--------------------------------------|---|
| JP3 | Select 200pF Output Load Capacitance | Select 2k Ω Output Load Resistance |

Table 1: Jumper Configurations

4.1 Serial Interface

In Computer Mode, the serial interface is driven by the WaveVision4 board. The WaveVision4 software allows the user to drive the DAC121S101WG with various digitized signals. Refer to .Software Operation and Settings. for further information.

In Stand-Alone Mode, The serial interface must be driven by an external device. The three-wire interface (SCLK, SYNC, D_{IN}) is compatible with SPI, QSPI and MICROWIRE, as well as most DSPs. See the Timing Diagram (Figure 2) for information on a write sequence.

The maximum digital input level of the three-wire interface is independent of the analog supply voltage (V_A). The range of all digital inputs is 0V to 5.25V regardless of V_A.

A write sequence begins by bringing the SYNC line low. Once SYNC is low, the *Binary* data on the D_{IN} line is clocked into the 16-bit serial input register on the falling edges of SCLK. On the 16th falling clock edge, the last data bit is clocked in and the programmed function (a change in the mode of operation and/or a change in the DAC register contents) is executed. At this point the SYNC line may be kept low or brought high. In either case, it must be brought high for the minimum specified time before the next write sequence as a falling edge of SYNC will initiate the next write cycle.

Since the SYNC and D_{IN} buffers draw more current when they are high, they should be idled low between write sequences to minimize power consumption.

Please refer to the DAC121S101QML datasheet for more information.

4.2 DAC Reference Circuitry

The supply voltage for the DAC121S101WG serves as its voltage reference, and does not need to be supplied separately. The analog output range of the DAC121S101WG can be scaled by adjusting the supply voltage (V_A). This voltage can be set anywhere from +2.7V to +5.5V.

4.3 Analog Output

The analog output of this Eval board is available at the BNC connector, J1. The output at J1 is AC coupled. The board also provides a DC coupled output at TP2.

If you are using a spectrum analyzer to look at the output of the DAC121S101WG, the AC coupled output (J1) is recommended.

For very low frequency (i.e. less than 1kHz), use TP2 to see the output signal DC coupled. For an AC coupled output at low frequencies, simply replace the AC coupling capacitor at C3 with a larger capacitor.

4.4 Power Supply Connections

The DAC121S101WG board must be powered by an external supply or the local WaveVision4 board supply. In Stand-alone mode, the DAC121S101WG board must be powered by an external supply. In either case, remember that the supply voltage and reference voltages are tied together on the DAC121S101WG.

If you wish to supply V_A externally, connect a DC voltage supply to connector J4 and place a jumper across pins 2 and 3 of JP1 to select V_A_REMOTE. This voltage (V_A) can be set anywhere from +2.7V to +5.5V. Note: For computer mode, +3.3V must be supplied to the DAC121S101WG board at TP4.

Since the supply voltage (V_A) serves as the reference for the DAC121S101WG, ensure a clean power supply is used.

If you wish to use the local supply from the WaveVision4 Board, place a jumper across pins 2 and 3 of JP1. Using a jumper cable, connect TP9 of the WaveVision4 board to TP6 of the DAC121S101WG board. This connection will supply +5V to V_A on the DAC121S101WG board. Using another jumper cable, connect TP10 of the WaveVision4 board to TP4 of the DAC121S101WG board.

5.0 Software Operation and Settings

The WaveVision software is included with the WaveVision4 board and the latest version can be downloaded from National's web site at <http://www.national.com/adc>. WaveVision software version 4.2 or later is required to evaluate this device with the WV4 system.

To install this software, follow the procedure in the WAVEVSN BRD 4.0 User's Guide. Once the software is installed, run it and set it up as follows:

Note: Before continuing, ensure that the WaveVision Hardware is setup according to Section 3.2.

1. From the WaveVision main menu, go to Settings, then Capture Settings to open the System Settings dialog.
2. Under board type, select WaveVision4 (USB).

3. Turn on the power to both boards, then click on the **"Test"** button and await the firmware download. *After the firmware has downloaded, WaveVision will open up a control panel for the DAC121S101WG.*
4. Click on the **"Accept"** button to close the System Settings Dialog.
5. From the DAC121S101WG Control Panel, configure the digital waveform to be converted by the DAC. *Please see the WaveVision4 User's Manual for detailed instructions. The ability to drive preset waveforms or custom data is provided.*
6. Press the **"Start"** button to begin driving the digital waveform to the DAC.

The WaveVision4 Board will continuously send the waveform out to the DAC121S101WG until the **"Stop"** button is pressed. Please refer to *Section 4.3* for details on measuring the Analog Output of the DAC.

The Digital Waveform is plotted in the main WaveVision window for added convenience. This waveform may be further analyzed by clicking on the magnifying glass icon, then clicking and dragging across a specific area of the plot for better data inspection. See the WaveVision4 Board User's Guide for details.

If this board is used in conjunction with the WAVEVSN BRD 4.0 Data Capture Board and WaveVision software, a USB cable is needed to connect WAVEVSN BRD 4.0 to the host computer. See the WaveVision4 Board User's Guide for details.

6.0 Evaluation Board Specifications

| | | |
|--------------------------|---|------------------|
| Board Size: | 2.44" x 2.19" (6.2 cm x 5.6 cm) | |
| Power Requirements | Min: +2.7V , 3mA | Max: +5.5V, 5 mA |
| Max Clock Frequency: | 20 MHz | |
| Analog Output | | |
| AC Coupled Output Range: | -($V_A/2$) to ($V_A/2$) | |
| Impedance: | User Selectable: 2K Ω , 200pF, or 8 Ω . | |

7.0 Hardware Schematic

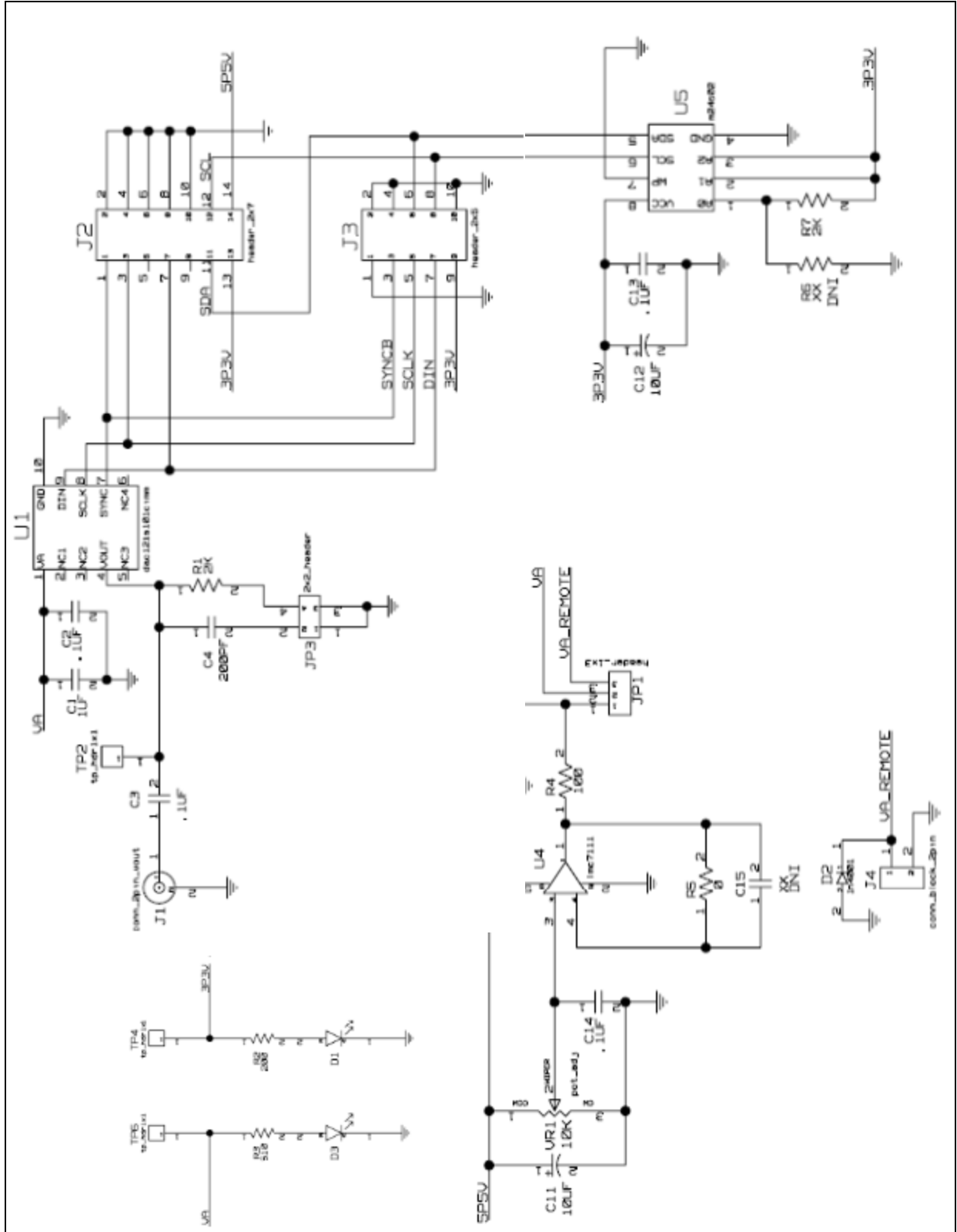


Figure 4: DAC12S101WG Evaluation Board Schematic

8.0 Evaluation Board Bill of Materials

| Qty. | Reference | PCB Footprint | Source | Source Part # | Rating | Value |
|------|-----------------------|-----------------------------|------------------------|-----------------|--------|--------------|
| 1 | C1 | sm/c_1206 | | | 10V | NS |
| 2 | C15,C2 | sm/c_0805 | | | 10V | NS |
| 5 | C3,C6,C10, C13,C14 | sm/c_0805 | | | 10V | 0.1uF |
| 1 | C4 | sm/c_0805 | | | 10V | 200pF |
| 2 | C9,C5 | sm/c_1206 | | | 10V | 1uF |
| 2 | C11,C12 | sm/ct_3216_12 | | | 10V | 10uF |
| 1 | D1 | sm/led_21 | Digikey | 516-1440-1-ND | | RED LED |
| 1 | D2 | DAX2/DO41 | Digikey | 1N4001GICT-ND | | 1N4001 |
| 1 | D3 | sm/led_21 | Digikey | 516-1440-1-ND | | NS |
| 1 | JP1 | blkcon.100/vh/tm1sq/w.100/3 | Digikey | A26513-40-ND | | VA SELECTION |
| 1 | JP3 | blkcon.100/vh/tm2oe/w.200/4 | Digikey | A26529-40-ND | | LOAD_SEL |
| 1 | J1 | rf/bnc/r1.350_21 | Digikey | ARF1177-ND | | VOUT_ac |
| 1 | J2 | blkcon/2mm/ra/tm2oe/w2mm/14 | Digikey | S2200-07-ND | | HEADER 7X2 |
| 1 | J3 | BLKCON.100/.../shroud | Digikey | A26529-40-ND | | HEADER 5X2 |
| 1 | J4 | term_block/.200/2pos | Digikey | ED1609-ND | | VA_REMOTE |
| 1 | R1 | sm/r_0805 | | | | 2K |
| 1 | R2 | sm/r_0805 | | | | 200 |
| 2 | R6,R3 | sm/r_0805 | | | | NS |
| 3 | R4,R5,R7 | sm/r_0805 | | | | 0 |
| 3 | TP1,TP3,TP5 | blkcon.100/vh/tm1sq/w.100/1 | Digikey | 5011K-ND | | AGND |
| 1 | TP2 | blkcon.100/vh/tm1sq/w.100/1 | Digikey | 5011K-ND | | VOUT_DC |
| 1 | TP4 | blkcon.100/vh/tm1sq/w.100/1 | Digikey | 5011K-ND | | 3P3V |
| 1 | TP6 | blkcon.100/vh/tm1sq/w.100/1 | Digikey | 5011K-ND | | VA |
| 1 | U1 | | National Semiconductor | DAC121S101WGMPR | | DAC121S101WG |
| 1 | U4 | sm/sot23-5 | Digikey | LMV710M5CT-ND | | LMV710M5 |
| 1 | U5 | sog.050/8/wg.244/l.200 | | | | 24C02 |
| 1 | VR1 | vres4 | Digikey | 3386F-103-ND | | 10K |

APPENDIX

A1.0 Summary Tables of Test Points, Jumpers, and Connectors

Test Points on the DAC121S101WG Evaluation Board

| | |
|--------------|--|
| TP1: AGND | Ground. Located at the top center of the board. |
| TP2: VOUT_DC | DC Coupled Analog Output test point. Located at the top center of the board. |
| TP3: AGND | Ground. Located at the top Right of the board. |
| TP4: 3P3V | 3.3V test point. Located at the right edge of the board. |
| TP5: AGND | Ground. Located in the center of the board. |
| TP6: VA | V _A Test Point. Located in the center of the board. |

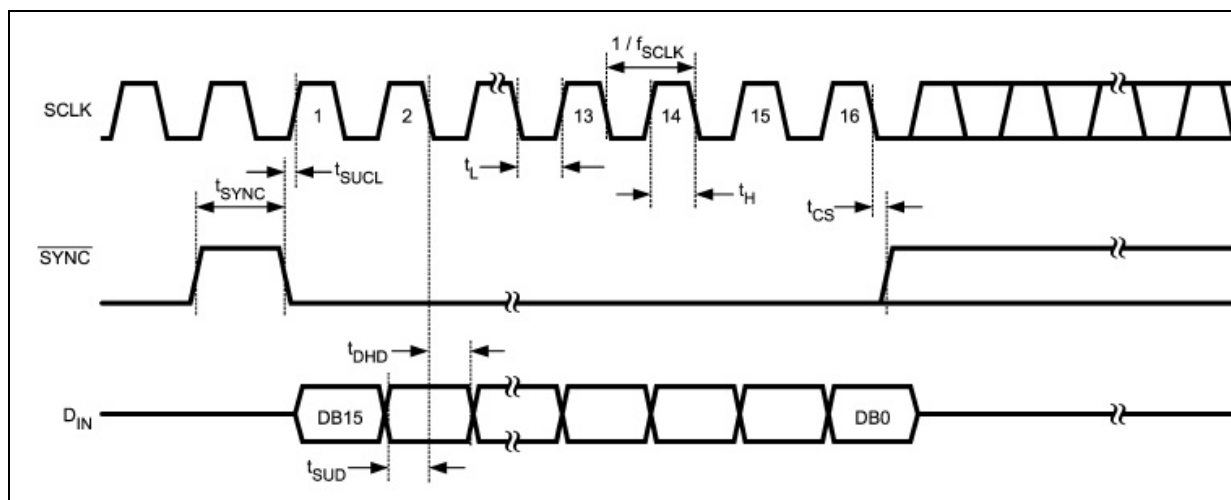
Connectors on the DAC121S101WG Evaluation Board

| | |
|-----------------------------|--|
| J1: BNC Connector | VOUT_AC. AC Coupled Analog Output. |
| J2: WV4S Header | Wave Vision 4 Serial connector (Future Use) |
| J3: Serial Interface Header | Serial Interface connector. Logic Input. (Refer to <i>Figure 3</i> for a pin-out diagram.) |
| J4: Terminal Block | VA_REMOTE. External power supply connector. |

Selection Jumpers on the DAC121S101WG Evaluation Board (Refer to *Table 1* in Section 4.0 for configuration details)

| | |
|------------------|------------------------------------|
| JP1: VA SEL | Selects source of V _A . |
| JP2: Not Used | Not Used. |
| JP3: Output Load | Configures the output load. |

A2.0 Enlarged Timing Diagram



BY USING THIS PRODUCT, YOU ARE AGREEING TO BE BOUND BY THE TERMS AND CONDITIONS OF NATIONAL SEMICONDUCTOR'S END USER LICENSE AGREEMENT. DO NOT USE THIS PRODUCT UNTIL YOU HAVE READ AND AGREED TO THE TERMS AND CONDITIONS OF THAT AGREEMENT. IF YOU DO NOT AGREE WITH THEM, CONTACT THE VENDOR WITHIN TEN (10) DAYS OF RECEIPT FOR INSTRUCTIONS ON RETURN OF THE UNUSED PRODUCT FOR A REFUND OF THE PURCHASE PRICE PAID, IF ANY.

The DAC121S101WG Evaluation Board is intended for product evaluation purposes only and are not intended for resale to end consumers, are not authorized for such use and are not designed for compliance with European EMC Directive 89/336/EEC, or for compliance with any other electromagnetic compatibility requirements.

National Semiconductor Corporation does not assume any responsibility for use of any circuitry or software supplied or described. No circuit patent licenses are implied.

LIFE SUPPORT POLICY

NATIONAL'S PRODUCTS ARE NOT AUTHORIZED FOR USE AS CRITICAL COMPONENTS IN LIFE SUPPORT DEVICES OR SYSTEMS WITHOUT THE EXPRESS WRITTEN APPROVAL OF THE PRESIDENT OF NATIONAL SEMICONDUCTOR CORPORATION. As used herein:

1. Life support devices or systems are devices or systems which, (a) are intended for surgical implant into the body, or (b) support or sustain life, and whose failure to perform, when properly used in accordance with instructions for use provided in the labeling, can be reasonably expected to result in a significant injury to the user.
2. A critical component is any component in a life support device or system whose failure to perform can be reasonably expected to cause the failure of the life support device or system, or to affect its safety or effectiveness.

| | | | |
|--|---|--|--|
| National Semiconductor Corporation Americas Tel: 1-800-272-9959 Fax: 1-800-737-7018 Email: support@nsc.com | National Semiconductor Europe Fax: +49 (0) 1 80-530 85 86 Email: europe.support@nsc.com Deutsch Tel: +49 (0) 699508 6208 English Tel: +49 (0) 870 24 0 2171 Français Tel: +49 (0) 141 91 8790 | National Semiconductor Asia Pacific Customer Response Group Tel: 65-2544466 Fax: 65-2504466 Email: sea.support@nsc.com | National Semiconductor Japan Ltd. Tel: 81-3-5639-7560 Fax: 81-3-5639-7507 |
| www.national.com | | | |

National does not assume any responsibility for any circuitry described, no circuit patent licenses are implied and National reserves the right at any time without notice to change said circuitry and specifications.

IMPORTANT NOTICE

Texas Instruments Incorporated and its subsidiaries (TI) reserve the right to make corrections, modifications, enhancements, improvements, and other changes to its products and services at any time and to discontinue any product or service without notice. Customers should obtain the latest relevant information before placing orders and should verify that such information is current and complete. All products are sold subject to TI's terms and conditions of sale supplied at the time of order acknowledgment.

TI warrants performance of its hardware products to the specifications applicable at the time of sale in accordance with TI's standard warranty. Testing and other quality control techniques are used to the extent TI deems necessary to support this warranty. Except where mandated by government requirements, testing of all parameters of each product is not necessarily performed.

TI assumes no liability for applications assistance or customer product design. Customers are responsible for their products and applications using TI components. To minimize the risks associated with customer products and applications, customers should provide adequate design and operating safeguards.

TI does not warrant or represent that any license, either express or implied, is granted under any TI patent right, copyright, mask work right, or other TI intellectual property right relating to any combination, machine, or process in which TI products or services are used. Information published by TI regarding third-party products or services does not constitute a license from TI to use such products or services or a warranty or endorsement thereof. Use of such information may require a license from a third party under the patents or other intellectual property of the third party, or a license from TI under the patents or other intellectual property of TI.

Reproduction of TI information in TI data books or data sheets is permissible only if reproduction is without alteration and is accompanied by all associated warranties, conditions, limitations, and notices. Reproduction of this information with alteration is an unfair and deceptive business practice. TI is not responsible or liable for such altered documentation. Information of third parties may be subject to additional restrictions.

Resale of TI products or services with statements different from or beyond the parameters stated by TI for that product or service voids all express and any implied warranties for the associated TI product or service and is an unfair and deceptive business practice. TI is not responsible or liable for any such statements.

TI products are not authorized for use in safety-critical applications (such as life support) where a failure of the TI product would reasonably be expected to cause severe personal injury or death, unless officers of the parties have executed an agreement specifically governing such use. Buyers represent that they have all necessary expertise in the safety and regulatory ramifications of their applications, and acknowledge and agree that they are solely responsible for all legal, regulatory and safety-related requirements concerning their products and any use of TI products in such safety-critical applications, notwithstanding any applications-related information or support that may be provided by TI. Further, Buyers must fully indemnify TI and its representatives against any damages arising out of the use of TI products in such safety-critical applications.

TI products are neither designed nor intended for use in military/aerospace applications or environments unless the TI products are specifically designated by TI as military-grade or "enhanced plastic." Only products designated by TI as military-grade meet military specifications. Buyers acknowledge and agree that any such use of TI products which TI has not designated as military-grade is solely at the Buyer's risk, and that they are solely responsible for compliance with all legal and regulatory requirements in connection with such use.

TI products are neither designed nor intended for use in automotive applications or environments unless the specific TI products are designated by TI as compliant with ISO/TS 16949 requirements. Buyers acknowledge and agree that, if they use any non-designated products in automotive applications, TI will not be responsible for any failure to meet such requirements.

Following are URLs where you can obtain information on other Texas Instruments products and application solutions:

Products

| | |
|------------------------|--|
| Audio | www.ti.com/audio |
| Amplifiers | amplifier.ti.com |
| Data Converters | dataconverter.ti.com |
| DLP® Products | www.dlp.com |
| DSP | dsp.ti.com |
| Clocks and Timers | www.ti.com/clocks |
| Interface | interface.ti.com |
| Logic | logic.ti.com |
| Power Mgmt | power.ti.com |
| Microcontrollers | microcontroller.ti.com |
| RFID | www.ti-rfid.com |
| OMAP Mobile Processors | www.ti.com/omap |
| Wireless Connectivity | www.ti.com/wirelessconnectivity |

Applications

| | |
|-------------------------------|--|
| Automotive and Transportation | www.ti.com/automotive |
| Communications and Telecom | www.ti.com/communications |
| Computers and Peripherals | www.ti.com/computers |
| Consumer Electronics | www.ti.com/consumer-apps |
| Energy and Lighting | www.ti.com/energy |
| Industrial | www.ti.com/industrial |
| Medical | www.ti.com/medical |
| Security | www.ti.com/security |
| Space, Avionics and Defense | www.ti.com/space-avionics-defense |
| Video and Imaging | www.ti.com/video |

TI E2E Community Home Page

e2e.ti.com

Mailing Address: Texas Instruments, Post Office Box 655303, Dallas, Texas 75265
Copyright © 2012, Texas Instruments Incorporated