

AN-1821 CPRI Repeater System

ABSTRACT

This application report implements the Common Public Radio Interface (CPRI) for Remote Radio Heads (RRHs). The designer can use this application report for developing CPRI-based repeater systems in point-to-point or multi-hop configurations. This application report consists of:

- Designs for the CPRI SerDes Repeater Boards for the Radio Equipment (RE) and Radio Equipment Controller (REC) that include CPRI SerDes (SCAN25100) and a clock conditioner (LMK02000 or LMK03000 family).
- CPRI framer sample code to enable up to four CPRI links. The designer can easily port this IP to popular FPGAs.

Contents

1	System Design Overview	3
2	CPRI SerDes Repeater Boards (RE and REC) with SCAN25100 SerDes and LMK Clock Conditioners	4
	2.1 CPRI SerDes REC Board	4
	2.2 CPRI SerDes RE Board	5
	2.3 Hardware	10
3	CPRI Framer/Deframer FPGA IP	13
4	Notes	14
5	Schematics and Bill Of Materials	14
	5.1 REC Bill of Materials	14
	5.2 RE Bill of Materials	16
	5.3 REC Schematics	18
	5.4 RE Schematics	24

List of Figures

1	Multi-Hop Configuration Example.....	3
2	REC Board.....	5
3	Pre-LOCK Sequence	7
4	Post-LOCK Sequence.....	7
5	Normal Operating Conditions.....	8
6	RE Board.....	9
7	LMK02000 Phase Noise Plot	10
8	LMK03001D Phase Noise Plot	10
9	DS10CP154 I/O.....	11
10	External Clock Source/On-board Oscillator Mux Layout	12
11	Point-to-Point Configuration (shown with 2 CPRI links between nodes).....	13
12	Loop-Through Setup (shown with 1 CPRI link between nodes).....	13
13	REC Schematic, Page 1.....	18
14	REC Schematic, Page 2.....	19
15	REC Schematic, Page 3.....	20
16	REC Schematic, Page 4.....	21
17	REC Schematic, Page 5.....	22

All trademarks are the property of their respective owners.

18	REC Schematic, Page 6.....	23
19	RE Schematic, Page 1.....	24
20	RE Schematic, Page 2.....	25
21	RE Schematic, Page 3.....	26
22	RE Schematic, Page 4.....	27
23	RE Schematic, Page 5.....	28
24	RE Schematic, Page 6.....	29
25	RE Schematic, Page 7.....	30
26	RE Schematic, Page 8.....	31
27	RE Schematic, Page 9.....	32
28	RE Schematic, Page 10.....	33

List of Tables

1	REC Board Device List.....	4
2	RE Board Device List	6
3	PLL Loop Filter Design Parameters.....	10
4	Crosspoint Switch Connections.....	11
5	Power Specifications for RE Board	12
6	Power Specifications for REC Board	12
7	Sub-Channel Data.....	14
8	REC Bill of Materials	14
9	RE Bill of Materials	16

2 CPRI SerDes Repeater Boards (RE and REC) with SCAN25100 SerDes and LMK Clock Conditioners

The repeater boards, which are described in this application report, are complete solutions to address the needs of complex repeater designs. The boards feature many parts as optional to enable additional clock outputs, copper connection to SCAN25100, and so on. The following sections describe these optional features in further detail. The designer can remove the optional devices, if their functions are deemed unnecessary.

2.1 CPRI SerDes REC Board

The REC board interacts with a REC FPGA (customer-specific) to process the data and control for a SCAN25100 device. The on-board LMK03001D device cleans the master clock input for distribution. The adjacent RE board sends/receives data to/from the SCAN25100 device via copper or fiber connection.

2.1.1 Features

This board supports multi-hop configuration. It also has selectable High Speed Serial I/O Path via DS25MB100 (optional) for fiber and/or cable connection. The designer can manage the SCAN25100 via FPGA through a MDIO interface. Similarly, the designer can manage the LMK03001D via FPGA through uWire interface. Additional control lines also go to the DS25MB100 (optional) and SFP module.

2.1.2 Devices

[Table 1](#) lists the devices (both required and optional) used in this REC board design.

Table 1. REC Board Device List

Device	Quantity	Function	Required/Optional
SCAN25100	2	CPRI SerDes	Required
LMK03001D	1	Clock conditioner for clock distribution and jitter cleaning	Required
LM2852XMXA-1.8	1	Voltage regulator	Required
SFP module ^ù	1	To enable fiber connection	Required
DS25MB100	1	Line interface MUX (enables either fiber or copper connection from the same board)	Optional
SMA Headers	As Needed	Used as high-speed test ports. Designer can replace these with a cable connector for a copper cable connection	Optional
DS90LT012A	1	LVC MOS translator, for more LVC MOS clock outputs	Optional

2.1.3 Block Diagram

[Figure 2](#) illustrates a block diagram of the major components of the REC board along with the data flow on the repeater board. [Figure 2](#) shows the DS25MB100 as optional. The designer can install this to switch between fiber and copper connectors. If this option is not needed, the designer can route the SCAN25100 I/O directly to the desired connectors. The designer can install the DS90LT012A to convert any of the LVDS outputs of the LMK03001D to LVC MOS, if desired.

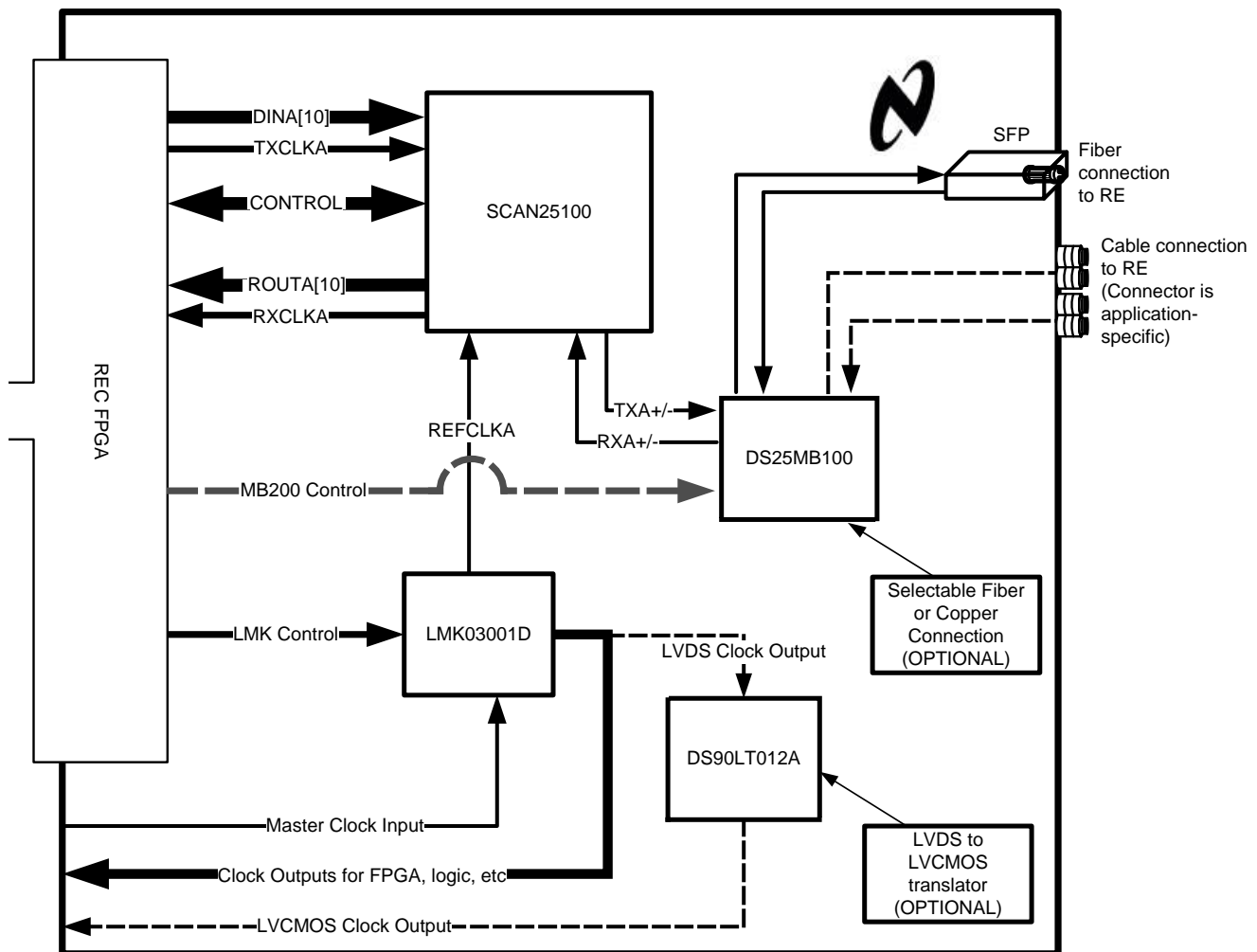


Figure 2. REC Board

2.2 CPRI SerDes RE Board

The RE board interacts with a CPRI framer FPGA (customer-specific) to process the data and control for two SCAN25100 devices. The on-board LMK02000 device cleans the recovered clock for distribution. The adjacent RE and REC boards send/receive data to/from the SCAN25100 device via copper or fiber connections.

2.2.1 Features

This board supports multi-hop configuration. It also has a selectable High Speed Serial I/O Path via DS25MB200 (optional) for fiber and/or cable connection. The designer can manage the SCAN25100 via FPGA through a MDIO interface. Similarly, the designer can manage the LMK02000 and LMK01000 (optional) via FPGA through uWire interface. Additional control lines are onboard for DS10CP154, DS25MB200 (optional), LMX2531 (optional), and SFP module.

2.2.2 Devices

Table 2 lists the devices (both required and optional) used in this RE board design.

Table 2. RE Board Device List

Device	Quantity	Function	Required / Optional
SCAN25100	2	CPRI SerDes	Required
LMK02000	1	Clock conditioner for clock distribution and jitter cleaning	Required
DS10CP154	1	Reference clock distribution	Required
LM2852XMXA-1.8	1	Voltage regulator	Required
SFP module	2	To enable fiber connection	Required
Oscillator	1	30.72 MHz, for start up clock	Required
DS25MB200	1	Line interface MUX (enables either fiber or copper connection from the same board)	Optional
SMA Headers	As needed	Used as high-speed test ports. Designer can replace these with a cable connector for a copper cable connection	Optional
DS90LT012A	1	LVC MOS translator, for more LVC MOS clock outputs	Optional
LMK01000	1	Clock conditioner for clock distribution, providing additional clock outputs	Optional
LMX2531	1	High Performance Frequency Synthesizer, to drive a mixer	Optional
LP38501TS-ADJ	1	LDO for 3 V supply for LMX2531	Optional

2.2.3 Clocking

2.2.3.1 Pre-LOCK Sequence

Figure 3 illustrates the Pre-LOCK clocking sequence below. The on-board oscillator (1) provides a 30.72 MHz clock upon power up. The designer must hardwire the DS10CP154 to route the oscillator output to Start-Up Clock output (2), which goes to the FPGA. Therefore, the Start-Up Clock is the 30.72 MHz local clock provided by the on-board oscillator. The FPGA uses the Start-Up Clock to configure (3) the LMK02000 and LMK01000 (optional). The designer must also hardwire the DS10CP154 to route LMK output (4) to REFCLKA (5) and REFCLKB (6) of the SCAN25100 devices. The SCAN25100 uses this clock to lock onto the incoming data.

2.2.3.2 Post-LOCK Sequence

Figure 4 illustrates the Post-LOCK clocking sequence below. Once the SCAN25100 locks to the recovered clock (indicated by the falling edge of LOCK signal), the FPGA then (1) configures the DS10CP154 (2) to route the SYSCLKA, instead of the oscillator, (3) through the LMK02000 for jitter cleaning and (4) back through the DS10CP154, which will distribute this recovered clock as the (5) REFCLKA and (6) REFCLKB to the SCAN25100 devices. Once the DS10CP154 is configured, the FPGA will have completed the initialization of the system. Then, the system begins normal operating conditions.

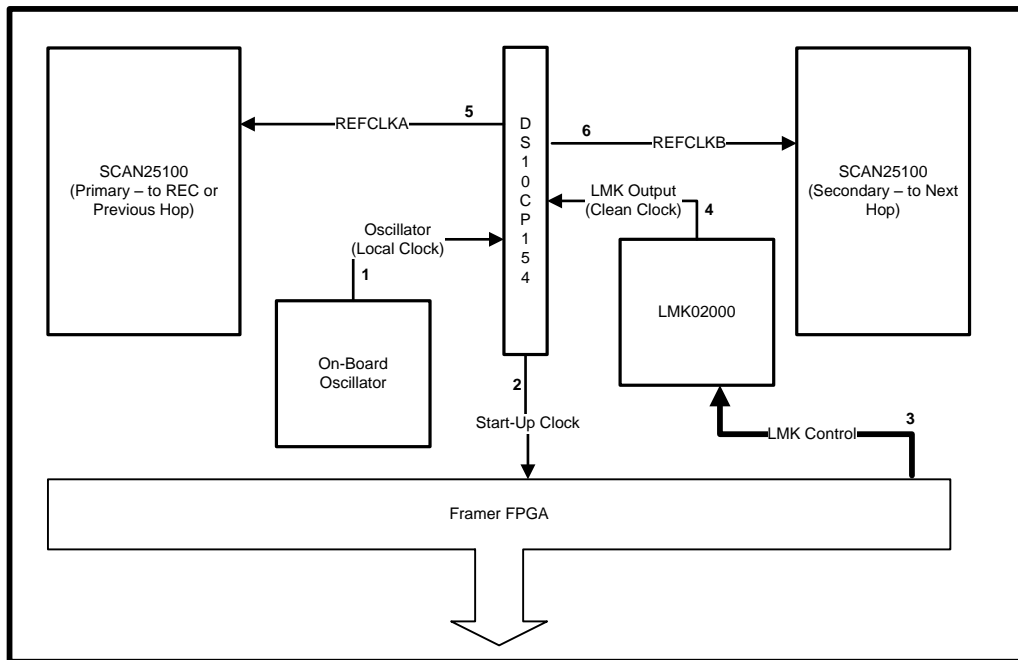


Figure 3. Pre-LOCK Sequence

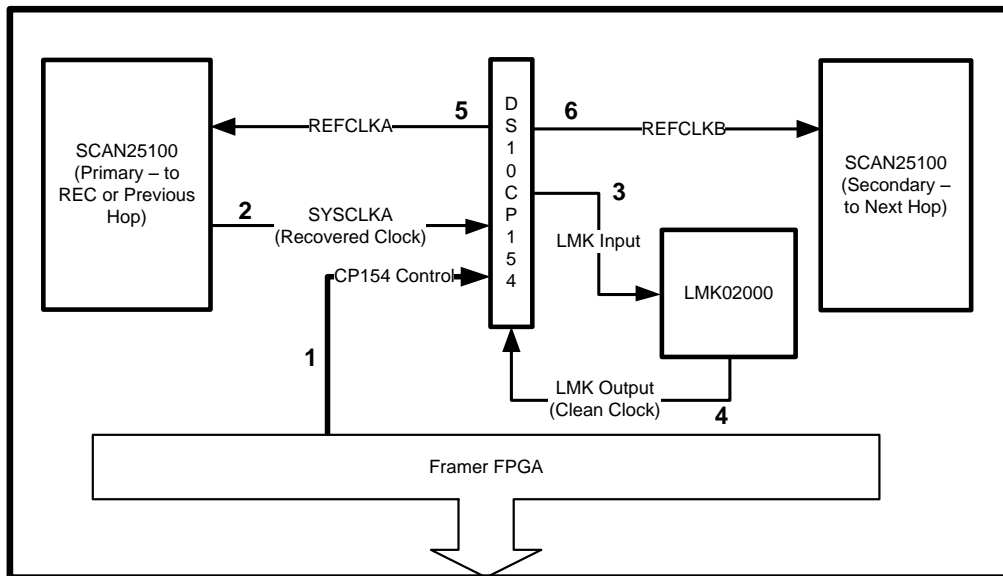


Figure 4. Post-LOCK Sequence

2.2.3.3 Normal Clocking Conditions

Figure 5 illustrates the clocking of this design under normal operating conditions. The DS10CP154 routes SYSCLKA, the recovered clock from the primary SCAN25100, to the LMK02000 to be cleaned. The LMK02000 cleans the clock. Then, the LMK02000 sends one copy to the FPGA and another copy back to the DS10CP154. The DS10CP154 routes the LMK clean clock to REFCLKA, which is the REFCLK input of the primary SCAN25100. Also, the DS10CP154 sends another copy of the LMK clean clock to REFCLKB, which is the REFCLK input of the secondary SCAN25100. The designer can route the remaining outputs of the LMK02000 to the optional devices listed in Table 2, as shown in the block diagram in Figure 6.

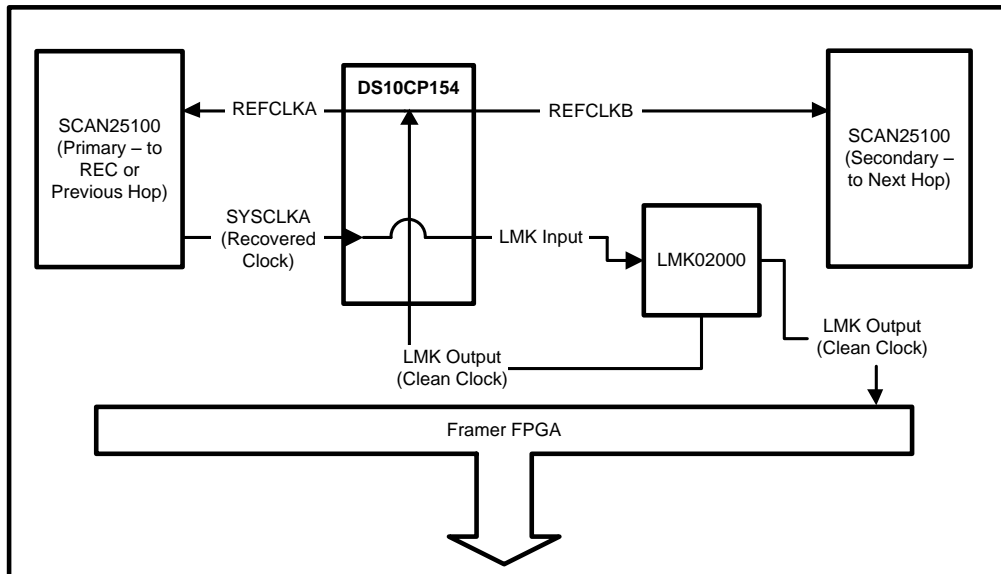


Figure 5. Normal Operating Conditions

2.2.4 Block Diagram

Figure 6 illustrates a block diagram of the major components of the RE board along with the data flow on the repeater board. Figure 6 shows the DS25MB200 as optional. The designer can install this to switch between fiber and copper connectors. If this option is not needed, the designer can route the SCAN25100 I/O directly to the desired connectors. The designer can install the DS90LT012A to convert any of the LVDS outputs of the LMK02000 to LVCMOS, if desired. The designer can add the LMK01000 for additional clock outputs, if necessary. The designer can add the LMX2351 to drive a mixer, if needed.

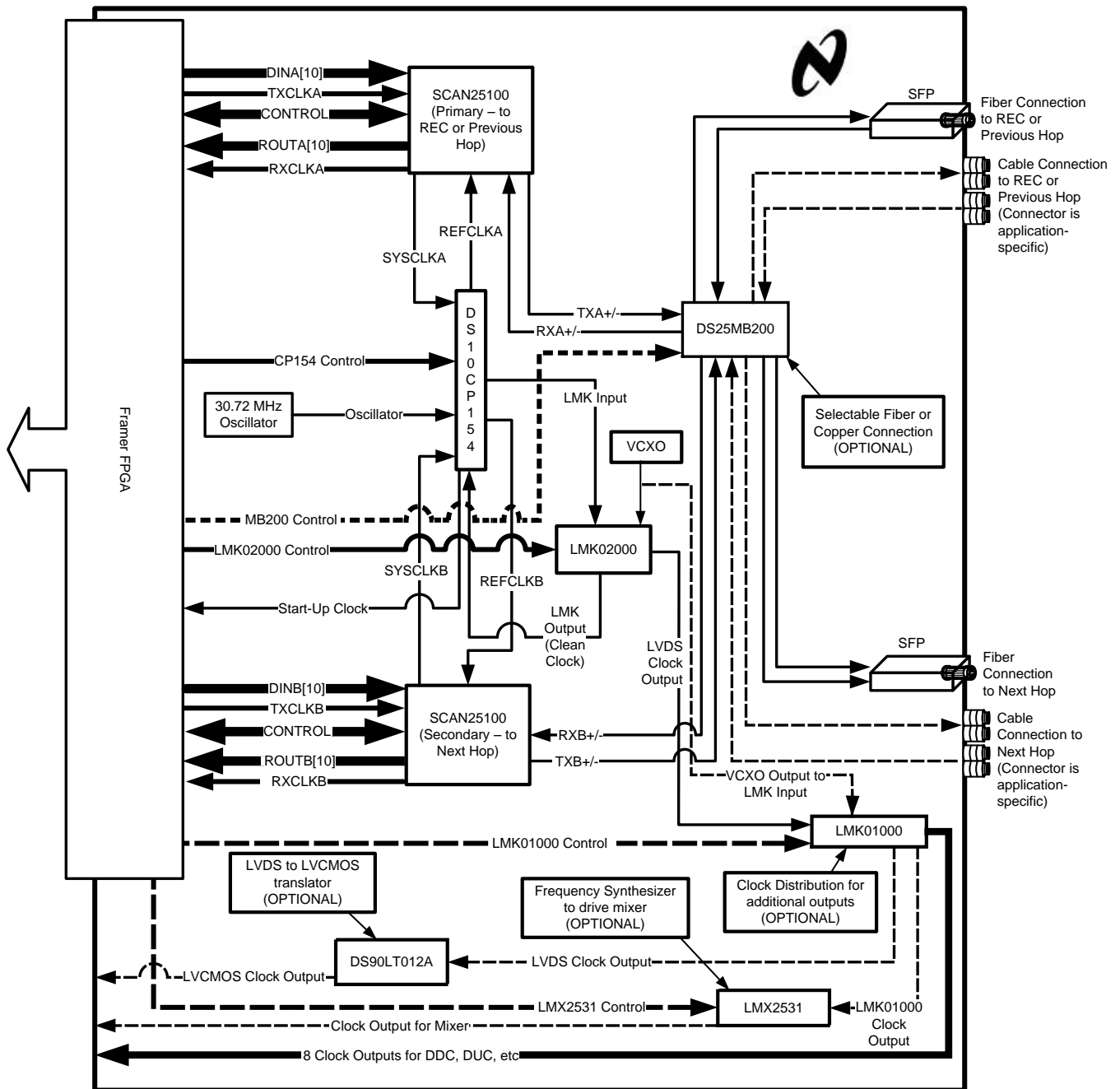


Figure 6. RE Board

2.3 Hardware

The following tables and figures refer to the hardware design notes, requirements, and specifications of both the RE and REC boards.

2.3.1 PLL Loop Filter

This design includes PLL loops filters for the LMK devices as shown in the schematics for both the RE and REC boards. These loop filters serve as filters between the charge pump and Voltage Controlled Crystal Oscillator (VCXO) to convert the correction pulses from the charge pump to voltages that steer the VCXO accordingly. Some components of these filters are external to the LMK devices so that designers can customize the filter designs for their specific applications and according to the VCXO chosen. The design parameters for the particular loop filter in this design for the LMK03001D is listed in [Table 3](#).

Table 3. PLL Loop Filter Design Parameters

Phase Margin	78.08°	K_φ	400 μA
Loop Bandwidth	3.68 kHz	F_{comp}	15.36 MHz
Crystal Frequency	30.72 MHz	Output Frequency	1474.56 MHz
Supply Voltage	3.3 Volts	VCO Gain	10 MHz/Volt

The LMK02000 uses a narrow 10 Hz loop bandwidth. Similar to the filter used with the LMK03001D, the design parameters for this loop filter will vary with the VCXO selected.

Details on how to design and customize these filters can be found in the Clock Conditioner Owner's Manual (reference [\[1\]](#)). The particular loop filter design used for the REC is detailed in the AN-1734 application report (reference [\[2\]](#)). The designer can also use Texas Instruments Clock Design Tool for design and simulation of customized PLL loop filters (reference [\[3\]](#)).

2.3.2 LMK Device Setup

The LMK02000 on the RE board uses an external VCXO. The designer should set the VCXO frequency to a multiple of 30.72 MHz and in accordance to how the designer programs the corresponding clock conditioner. For more details on the setup of the LMK02000, please view the evaluation board operating instructions (reference [\[4\]](#)). No external VCXO is needed for the LMK03001D. For more information on the usage of the LMK03000 family with the SCAN25100, refer to the AN-1734 application report (reference [\[2\]](#)).

2.3.3 Phase Noise of LMK Devices

[Figure 7](#) and [Figure 8](#) are phase noise plots of the LMK devices when used with the SCAN25100.

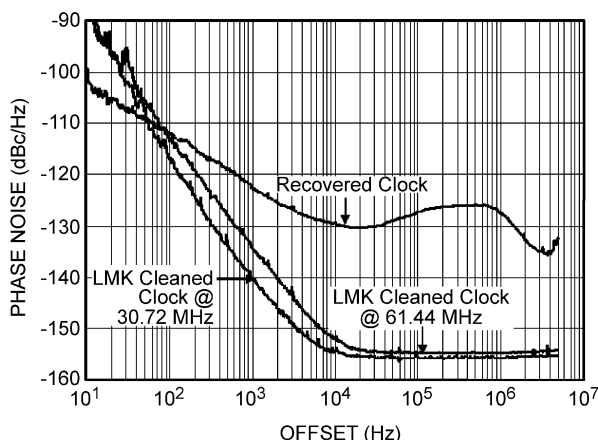


Figure 7. LMK02000 Phase Noise Plot

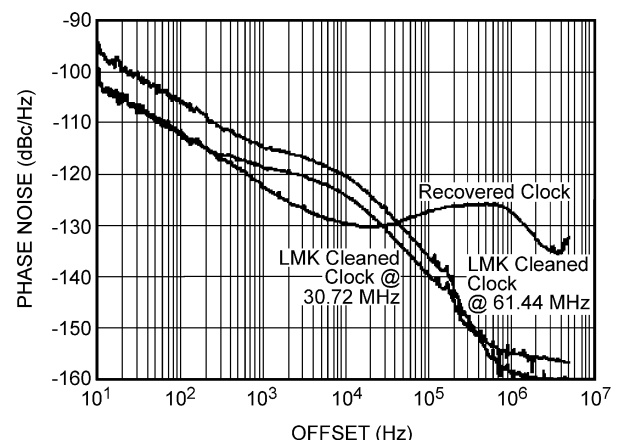


Figure 8. LMK03001D Phase Noise Plot

2.3.4 DS10CP154 Crosspoint Switch I/O for RE Board

Figure 9 and Table 4 describe the signaling of the DS10CP154 crosspoint switch.

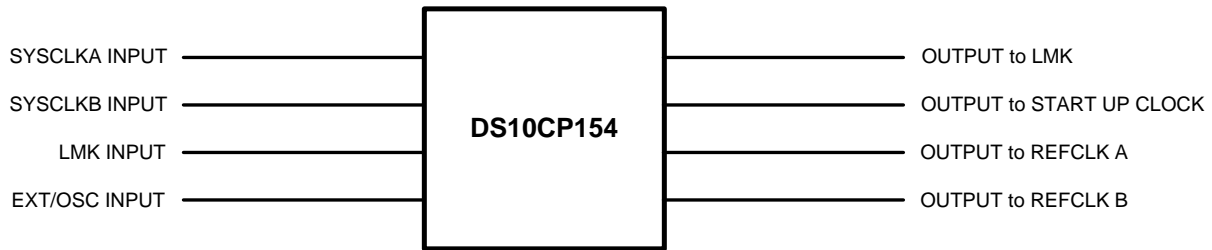


Figure 9. DS10CP154 I/O

Table 4. Crosspoint Switch Connections

Pins	Position	Input	Output
S31/S30	00	Recovered SYSCLKA	SCAN25100B REFCLK
	01	Recovered SYSCLKB	
	10	Cleaned Input from LMK	
	11	Ext CLK/OSC	
S21/S20	00	Recovered SYSCLKA	SCAN25100A REFCLK
	01	Recovered SYSCLKB	
	10	Cleaned Input from LMK	
	11	Ext CLK/OSC	
S11/S10	00	Recovered SYSCLKA	FPGA Start Up Clock
	01	Recovered SYSCLKB	
	10	Cleaned Input from LMK	
	11	Ext CLK/OSC	
S01/S00	00	Recovered SYSCLKA	LMK Input Clock
	01	Recovered SYSCLKB	
	10	Cleaned Input from LMK	
	11	Ext CLK/OSC	

2.3.5 External Clock Source Input

Figure 10 shows the typical passive mux layout for the RE board. The designer is recommended to populate C46 and C47 (leave C44 and C45 pads open) for on-board oscillator input to crosspoint. To use the external clock source via SMA connectors, populate C44 and C45, leaving C46 and C47 open. This arrangement allows an external clock source to be muxed into the system for testing.

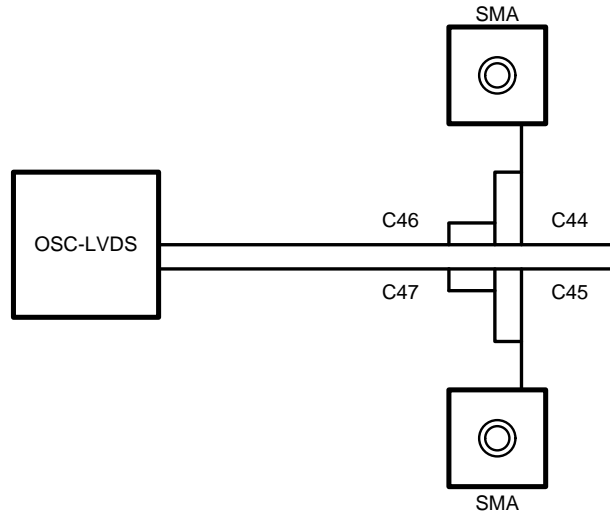


Figure 10. External Clock Source/On-board Oscillator Mux Layout

2.3.6 Power Supply Specifications for Major On-Board Devices

Table 5 and Table 6 describe the power consumption of the major components on this board.

Table 5. Power Specifications for RE Board

Component	Supply Connection	Power Consumption
SCAN25100	3.3 V / 1.8 V	1.2 W
DS10CP154	3.3 V	0.45 W
DS25MB200	3.3 V	1 W
SFP	3.3 V	1 W
LMK02000	3.3 V	0.5 W
LMK01000	3.3 V	0.7 W
LMX2351	3.0 V	0.15 W

Table 6. Power Specifications for REC Board

Component	Supply Connection	Power Consumption
SCAN25100	3.3 V / 1.8 V	1.2 W
DS25MB100	3.3 V	0.45 W
SFP	3.3 V	1 W
LMK03001D	3.3 V	0.55 W

3 CPRI Framer/Deframer FPGA IP

The CPRI framer module implements the layer-2 subsystem of the CPRI 2.0 specification for interconnecting RE and REC systems. This IP module multiplexes I/Q data with synchronization and timing information to generate CPRI hyperframes. Texas Instruments has verified the functionality of this module on an Altera Stratix FPGA (simulation only). Texas Instruments developed this sample IP in Verilog HDL and organized it for easy porting to other popular FPGA models. The following section describes the features implemented in this sample IP.

The IP provides CPRI framing and deframing engine, according to CPRI spec v2.0. Please see *CPRI Framer Design Specification* document for more detail. The framing/deframing engines support up to four CPRI links each of which the designer can configured to act as a Master or a Slave port, as shown in [Figure 11](#) and [Figure 12](#).

The FPGA IP also supports insertion and extraction of the following sub-channel data, as shown in [Table 7](#).

The IP features automatic start-up and rate negotiation per CPRI 2.0 specification and double rate TBI interface to connect to SCAN25100 devices. It supports 8-bit wide I/Q samples in complex format (total 16-bits). The interface code to the DDC/DUC is a standalone module that the designer can easily configure to suit the output/input requirements of a 3rd party component. It internally configures the SCAN25100 (SerDes) devices for required operational modes using the MDIO master mode. All data source blocks (IQ, Slow C&M, Fast C&M, and Vendor specific) interface to the framing engine via memory map or FIFO type interface with independent clock and strobe signals. It also supports configurable SOF (Start of hyperframe, different from K28.5) byte for custom CPRI implementations. The LCV (Line Code Violations) as reported by the SCAN25100 (SerDes) device are noted and reported in a control register. The sample HDL code is provided in Verilog and simulated on an Altera Stratix FPGA. It supports loop-through multi-hop mode; however, the future version of this IP will implement a more complete multi-hop mode based on node addressing.

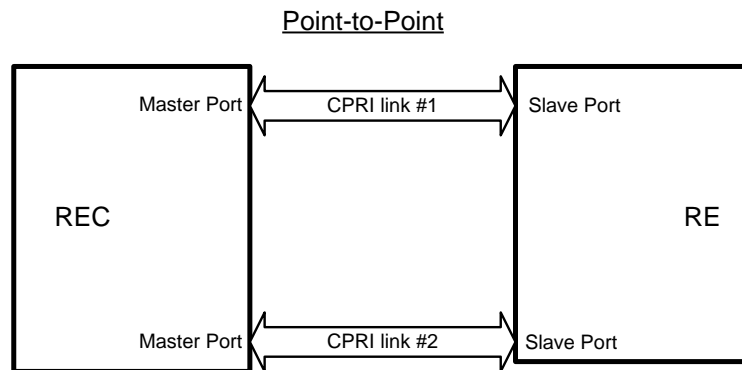


Figure 11. Point-to-Point Configuration (shown with 2 CPRI links between nodes)

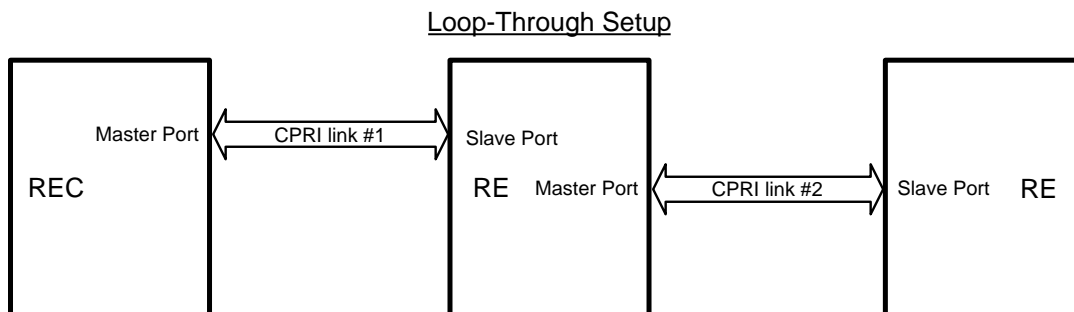


Figure 12. Loop-Through Setup (shown with 1 CPRI link between nodes)

Table 7. Sub-Channel Data

Sub-Channel	Control Words Source and Target
L1 inband protocol	Internally generated and validated by FPGA
Synchronization	Internally generated and validated by FPGA
Vendor specific data	External interface either MII or SPI
Fast (Ethernet) based C&M	External MII interface
Slow (HDLC) based C&M	External SPI interface

4 Notes

1. *Clock Conditioner Owner's Manual* ([SNAA103](#))
2. *AN-1734 Using the LMK03000C to Clean Recovered Clocks Application Report* ([SNOA508](#))
3. [Clocks and Timers](#)
4. *LMK02000 Precision Clock Conditioner Evaluation Board Operating Instructions* ([SNAU038](#))
5. *LMK02000EVAL-2 LMK02000 EVB, No VCXO Precision Clock Conditioner Evaluation Board Operating Instructions* ([SNAU039](#))

5 Schematics and Bill Of Materials

This section contains the bill of materials (BOM) and schematics for the REC and RE boards.

5.1 REC Bill of Materials

Table 8. REC Bill of Materials

Item	Qty	Reference	Part
1	18	C1, C2, R16, R17, R18, R19, R28, C28, R29, R30, R31, R32, C32, R33, R34, R51, R65, C75	OPEN
2	32	C3, C4, C5, C6, C11, C12, C13, C14, C16, C17, C18, C19, C20, C21, C24, C25, C26, C27, C34, C40, C44, C47, C54, C63, C65, C67, C78, C79, C80, C81, C89, C90	0.1 u
3	9	C15, C23, C52, C69, C70, C73, C74, C95, C96	10 u
4	8	C22, C53, C72, C76, C77, C78, C93, C97	1 u
5	1	C29	680 n
6	1	C30	6.8 n
7	1	C31	12 n
8	1	C33	1 n
9	8	C35, C37, C39, C43, C45, C48, C50, C68	0.01 u
10	3	C36, C46, C49	0.3 u
11	4	C38, C51, C64, C66	0.03 u
12	9	C41, C55, C56, C57, C58, C59, C60, C61, C62	0.001 u
13	1	C42	0.003 u
14	7	C70, C72, C75, C83, C86, C90, C91	0.1
15	10	C71, C81, C82, C84, C85, C87, C88, C89, C92, C95	22 u
16	2	C73, C94	2.7 n
17	3	C74, C77, C98	0.3
18	1	C76	0.01
19	4	D2, D3, D4, D5	LED
20	3	J1, J3, J8	HEADER2
21	4	J2, J4, J6, J7	HEADER 10x2 / SM
22	2	J5, J9	HEADER 5x2

Table 8. REC Bill of Materials (continued)

Item	Qty	Reference	Part
23	1	J10	HEADER5
24	4	L1, L2, L3, L4	4.7 u
25	2	L1, L5	1.2 u
26	2	L6, L7	1 uH
27	12	R1, R2, R20, R21, R22, R23, R24, R25, R26, R27, R42, R43	10 K
28	13	R3, R4, R5, R6, R7, R8, R9, R10, R11, R12, R13, R14, R15	22
29	5	R35, R36, R37, R38, R46	100
30	4	R39, R44, R45, R50	0
31	4	R40, R41, R48, R49	120
32	1	R46	560
33	1	R47	1.8 k
34	1	R52	1
35	2	R53, R60	10
36	4	R54, R55, R56, R57	220
37	9	SMA1, SMA2, SMA3, SMA4, SMA5, SMA6, SMA7, SMA8, SMA9	SMAedge
38	1	SW1	SW DIP-2/SM
39	3	SW2, SW3, SW4	SW DIP-5/SM
40	1	U1	SCAN25100
41	1	U2	DS25MB100
42	1	U3	SFP
43	1	U4	LMK03001
44	1	U5	LT012
45	2	U6, U19	LM2852XMXA-1.8

5.2 RE Bill of Materials
Table 9. RE Bill of Materials

Item	Qty	Reference	Part
1	36	C1, C2, R16, R17, R18, R19, R28, R29, R30, R31, R32, R33, R34, R47, R48, R49, R50, R51, R52, R53, R54, R55, R56, R57, C61, C62, C64, C66, R69, C70, C73, C77, R81, R94, R97, C185	OPEN
2	84	C3, C4, C5, C6, C7, C8, C9, C10, C11, C12, C13, C14, C15, C16, C17, C18, C19, C20, C21, C22, C23, C24, C25, C26, C28, C29, C31, C32, C33, C34, C35, C36, C37, C38, C39, C40, C41, C42, C43, C44, C45, C46, C47, C48, C55, C57, C59, C67, C68, C71, C72, C79, C81, C82, C83, C84, C85, C86, C87, C89, C93, C94, C97, C102, C106, C110, C111, C114, C120, C122, C125, C129, C131, C132, C141, C143, C145, C147, C149, C151, C164, C165, C205, C206	0.1 u
3	13	C27, C30, C52, C54, C76, C80, C119, C121, C154, C155, C158, C166, C184	10 u
4	22	C49, C56, C60, C88, C90, C92, C95, C98, C100, C103, C107, C109, C112, C115, C117, C124, C128, C146, C148, C150, C152, C204	0.01 u
5	8	C50, C91, C96, C99, C104, C108, C113, C116	0.3 u
6	8	C51, C101, C105, C118, C123, C127, C142, C144	0.03 u
7	6	C53, C69, C162, C163, C182, C186	1 u
8	5	L6, L7, L8, L9, C58	4.7 u
9	1	C63	0.47 u
10	1	C65	0.082 u
11	1	C74	680 n
12	1	C75	100 n
13	1	C78	560 n
14	10	C126, C130, C133, C134, C135, C136, C137, C138, C139, C140	0.001 u
15	9	C156, C170, C171, C173, C174, C176, C177, C178, C181	22 u
16	7	C157, C160, C168, C172, C175, C179, C180	0.1
17	3	C159, C167, C187	0.3
18	2	C161, C169	0.01
19	1	C183	2.7 n
20	4	D2, D3, D4, D5, LED	
21	8	J1, J3, J9, J11, J13, J14, J15, J16	HEADER2
22	7	J2, J4, J6, J7, J8, J10, J12	HEADER 10X2 / SM
23	1	J5	HEADER 5X2
24	1	J17	HEADER 5
25	4	L1, L2, L3, L4	1 uH
26	1	L10	1.2 uH
27	24	R1, R2, R20, R21, R22, R23, R24, R25, R26, R27, R59, R60, R61, R62, R63, R64, R65, R66, R68, R70, R71, R78, R89, R99	10 K
28	24	R3, R4, R5, R6, R7, R8, R9, R10, R11, R12, R13, R14, R15, R36, R37, R38, R39, R40, R41, R42, R43, R44, R45, R46	22
29	20	R35, R58, R72, R73, R74, R75, R76, R79, R84, R85, R86, R87, R92, R140, R141, R142, R143, R144, R145, R146	100
30	1	R77	49.9 K
31	1	R80	0.22
32	1	R82	1.5 K
33	1	R83	3.3
34	10	R88, R93, R98, R106, R107, R108, R116, R117, R147, R148	0
35	8	R90, R91, R100, R101, R102, R103, R149, R150	120
36	1	R95	59 k
37	1	R96	3.3 k
38	2	R109, R110	1

Table 9. RE Bill of Materials (continued)

Item	Qty	Reference	Part
39	1	R111	10
40	4	R112, R113, R114, R115	220
41	17	SMA1, SMA2, SMA3, SMA4, SMA5, SMA6, SMA7, SMA8, SMA13, SMA14, SMA15, SMA16, SMA19, SMA20, SMA21, SMA22, SMA23	SMAedge
42	2	SW1, SW3	SW DIP-2/SM
43	4	SW2, SW4, SW5, SW6	SW DIP-5/SM
44	2	U1, U2	SCAN25100
45	1	U3	DS25MB200
46	2	U4, U5	SFP
47	1	U6	DS10CP154
48	1	U7	OSC-LVDS
49	1	U8	LMX2531LQ
50	1	U9	LP38501TS-ADJ
51	1	U10	LMK02000
52	1	U11	VCXO
53	3	U12, U17, U18	LT012
54	1	U13	LM2852XMXA-1.8
55	1	U16	LMK01000

5.3 REC Schematics

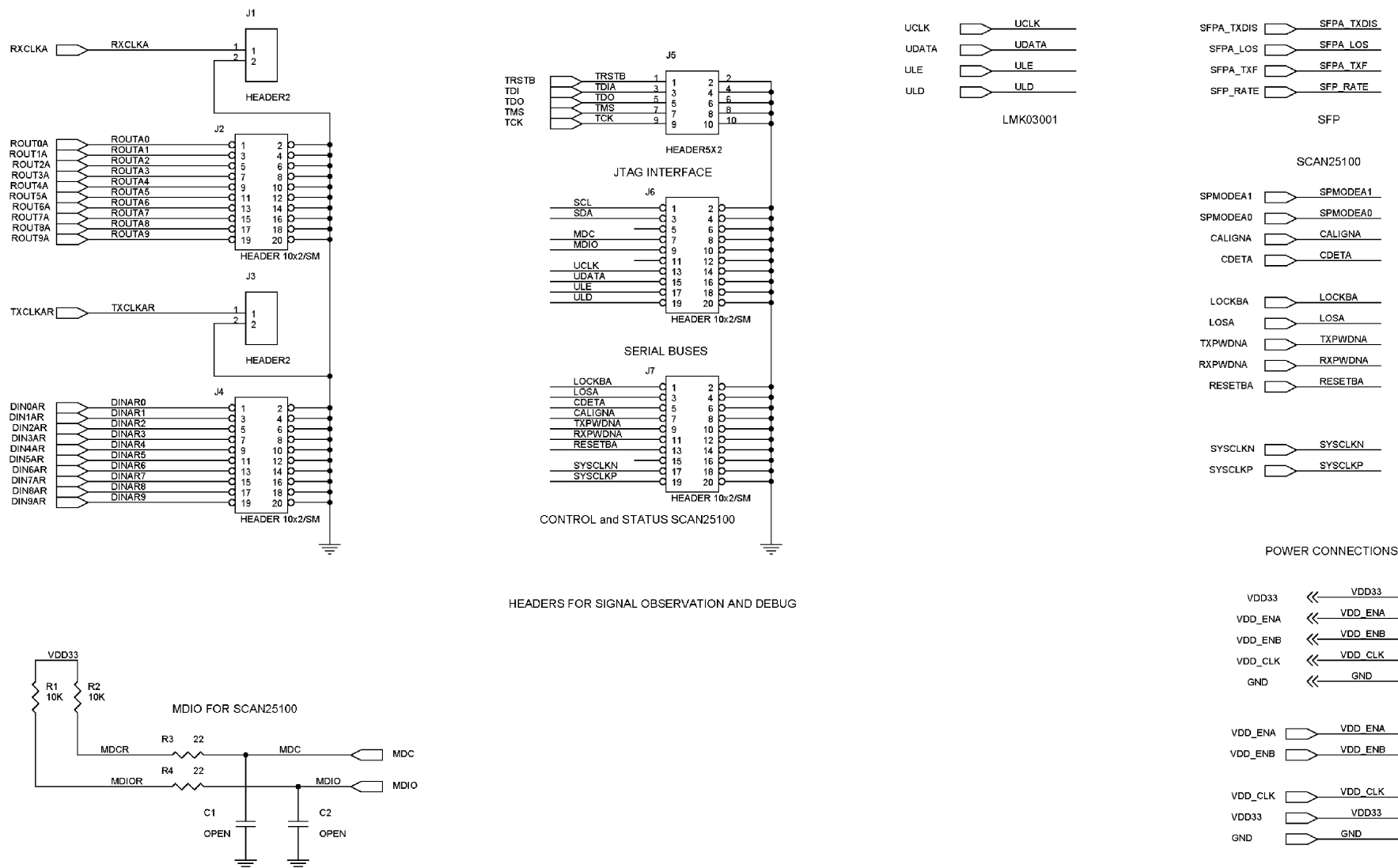


Figure 13. REC Schematic, Page 1

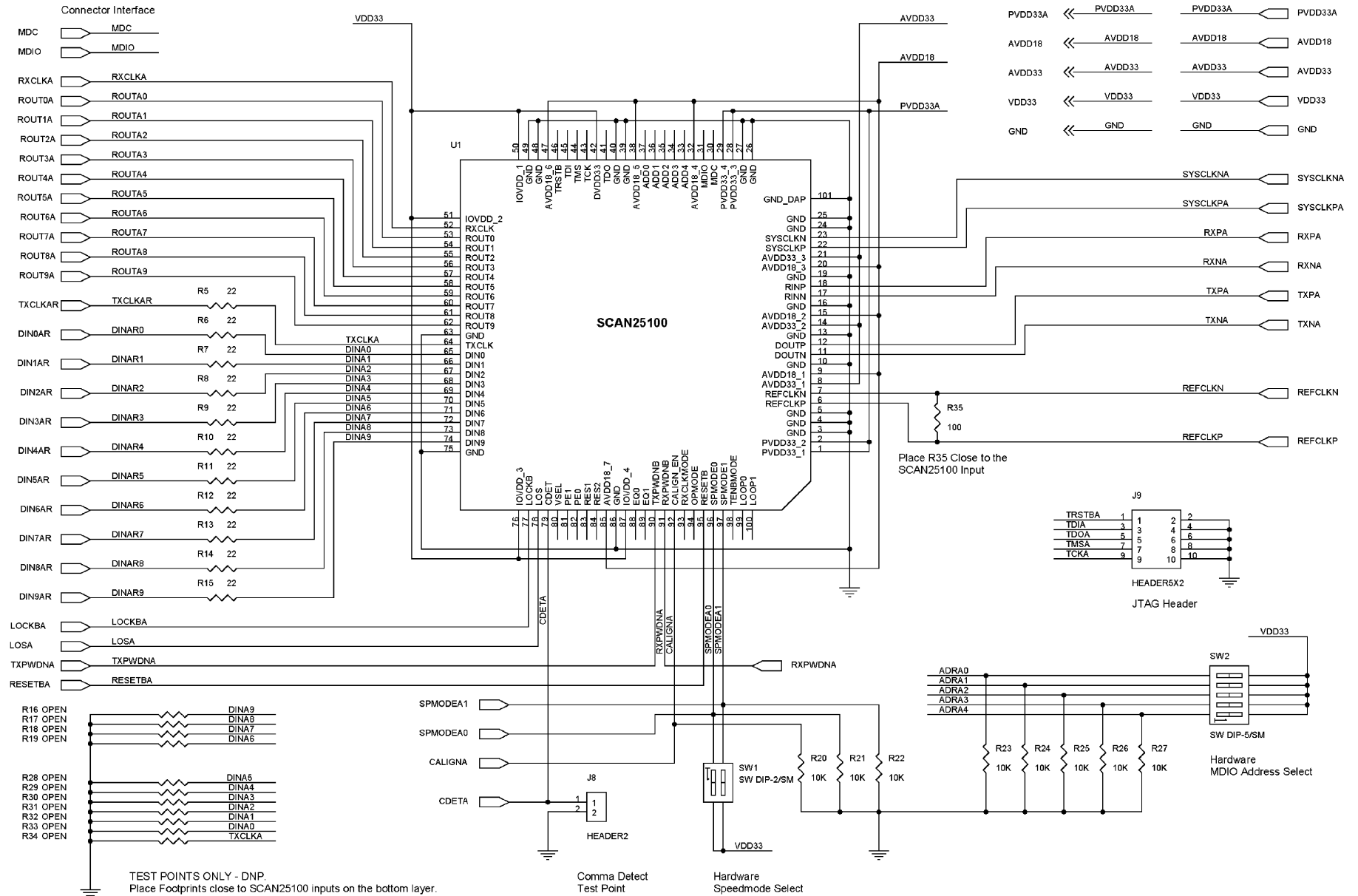


Figure 14. REC Schematic, Page 2

ADD CAGE: 1x2 SFP MODULE
Digikey # WM1646-ND

DEL_0 and DEL_1 = GND
Lineside Output DE is OFF

DES_0 and DES_1
Set to 00 for Optical
Set as needed for SMA

MUX
0 = Optical and 1 = SMA

LB0
0 => RIN SMA Loopback to SFP TX
1 => 25100 DOUT to SFP TX

LB1 set to VDD (loopback disabled)

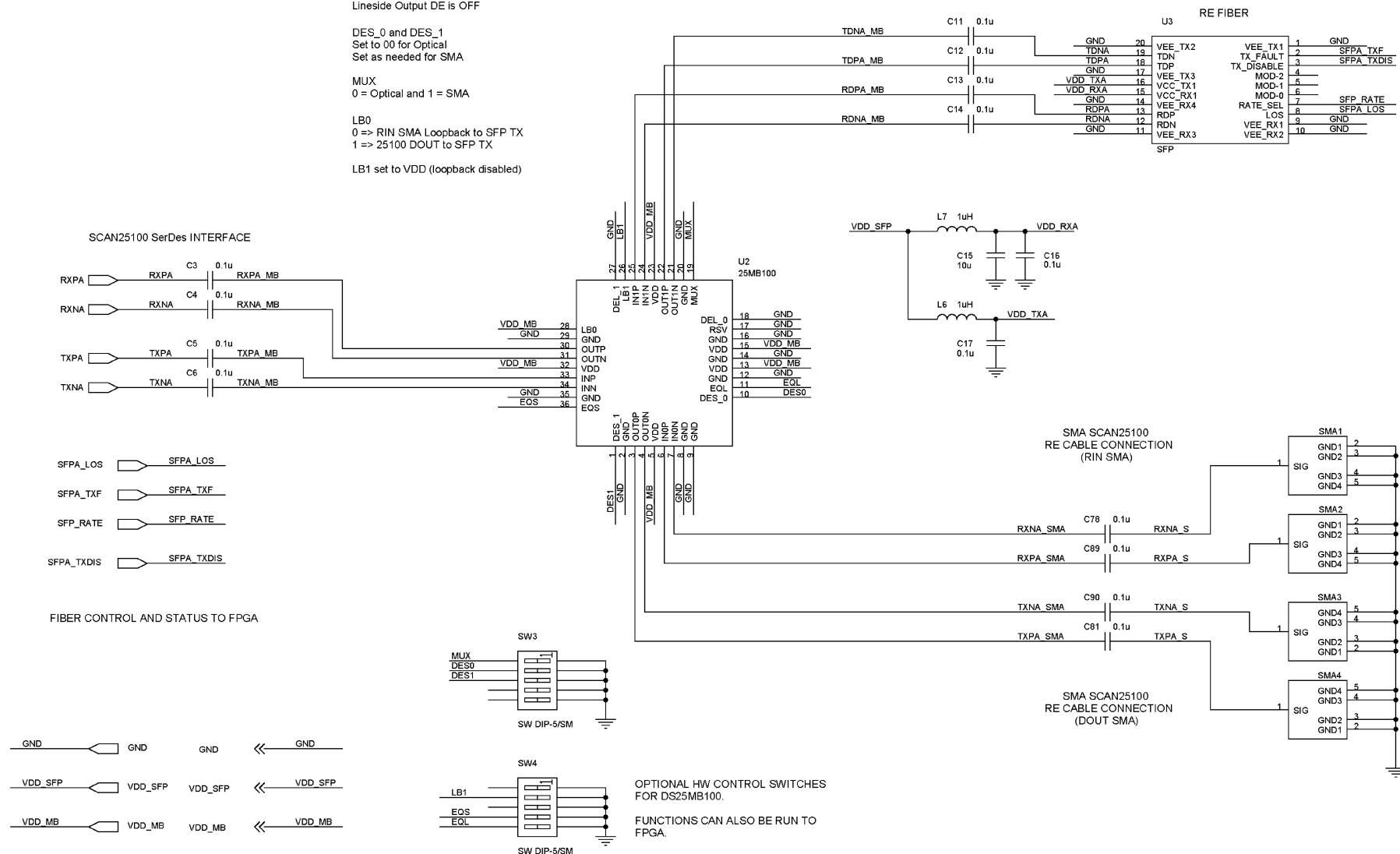


Figure 15. REC Schematic, Page 3

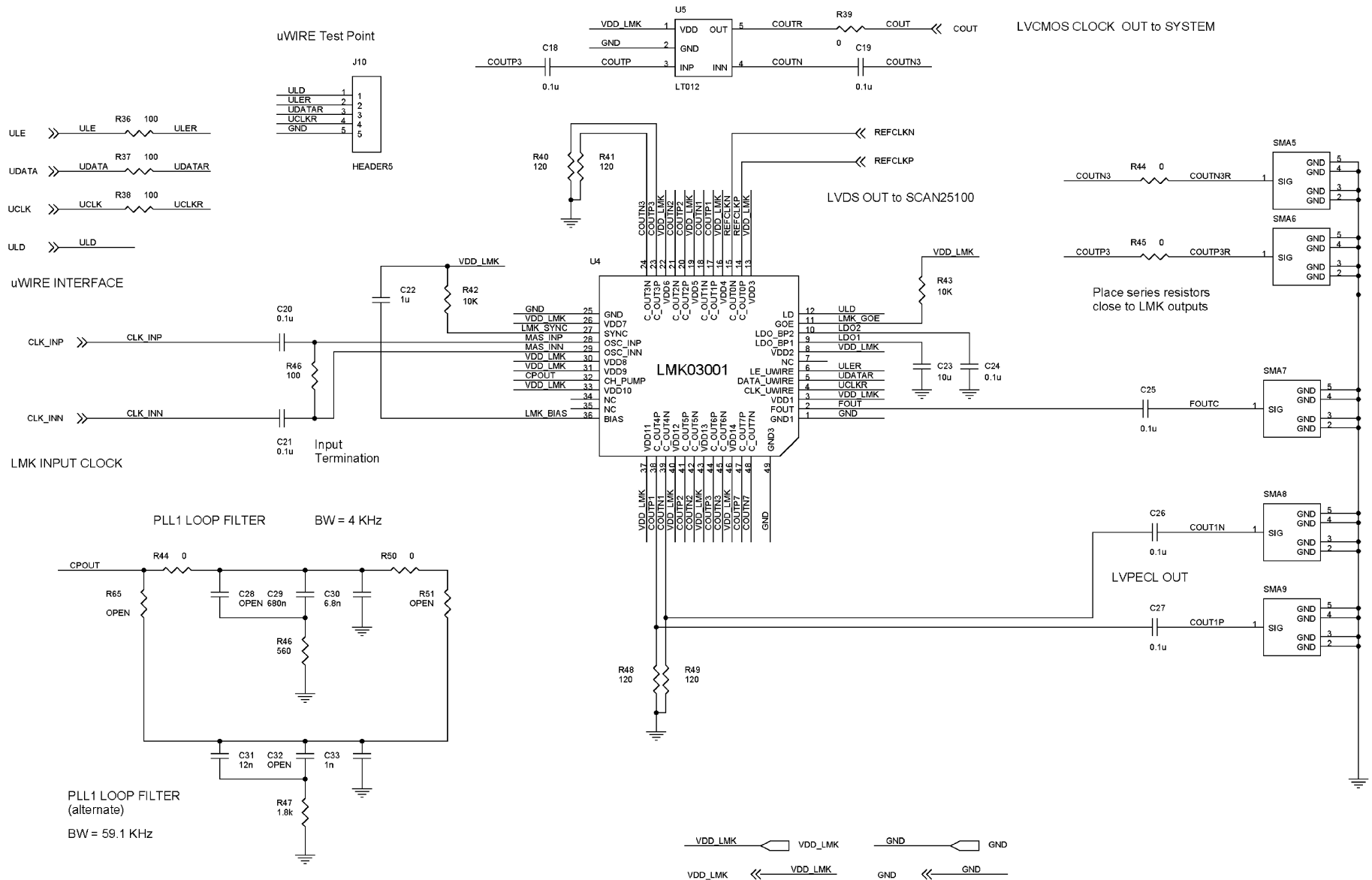


Figure 16. REC Schematic, Page 4

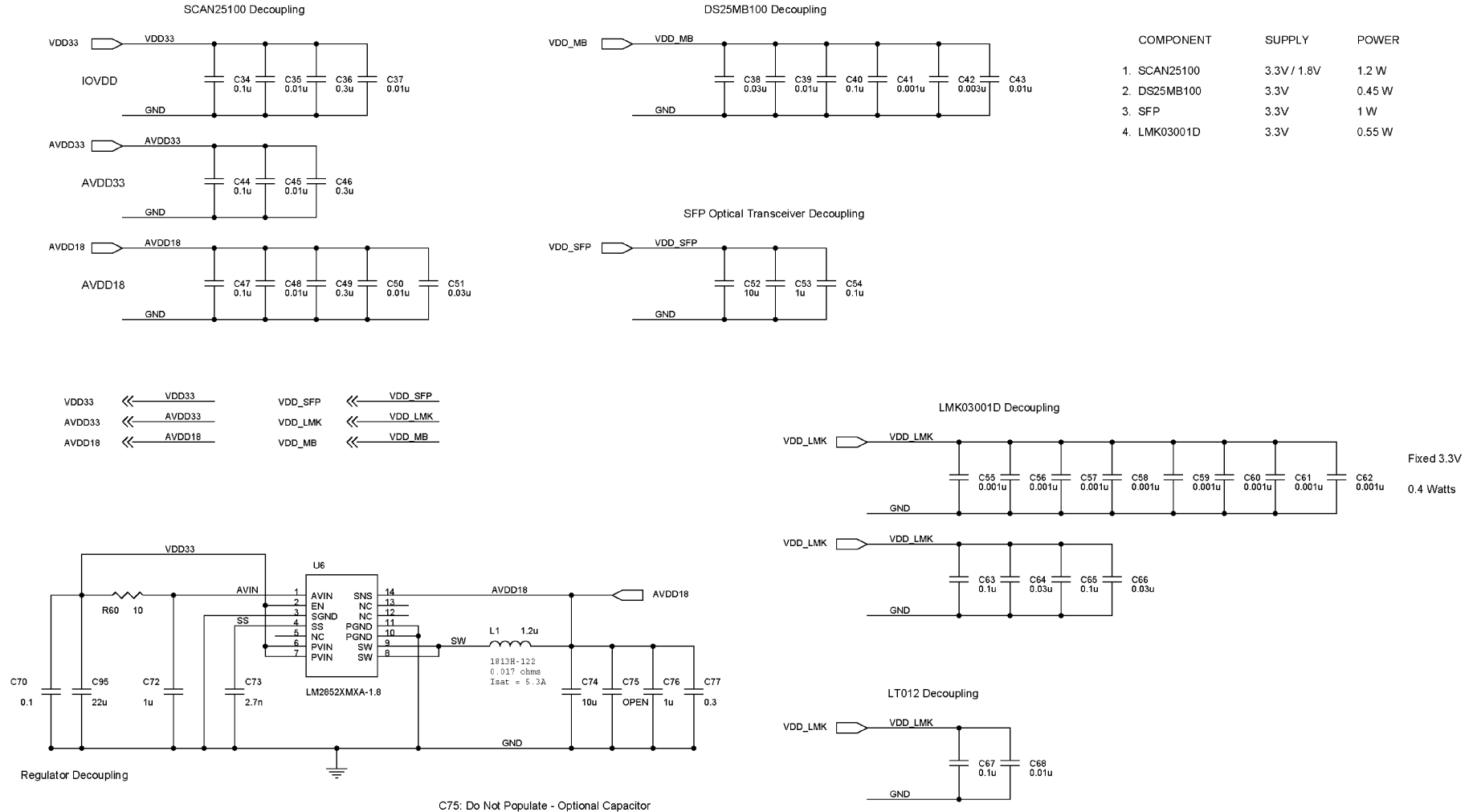


Figure 17. REC Schematic, Page 5

Seperate PLL supply islands for each 25100

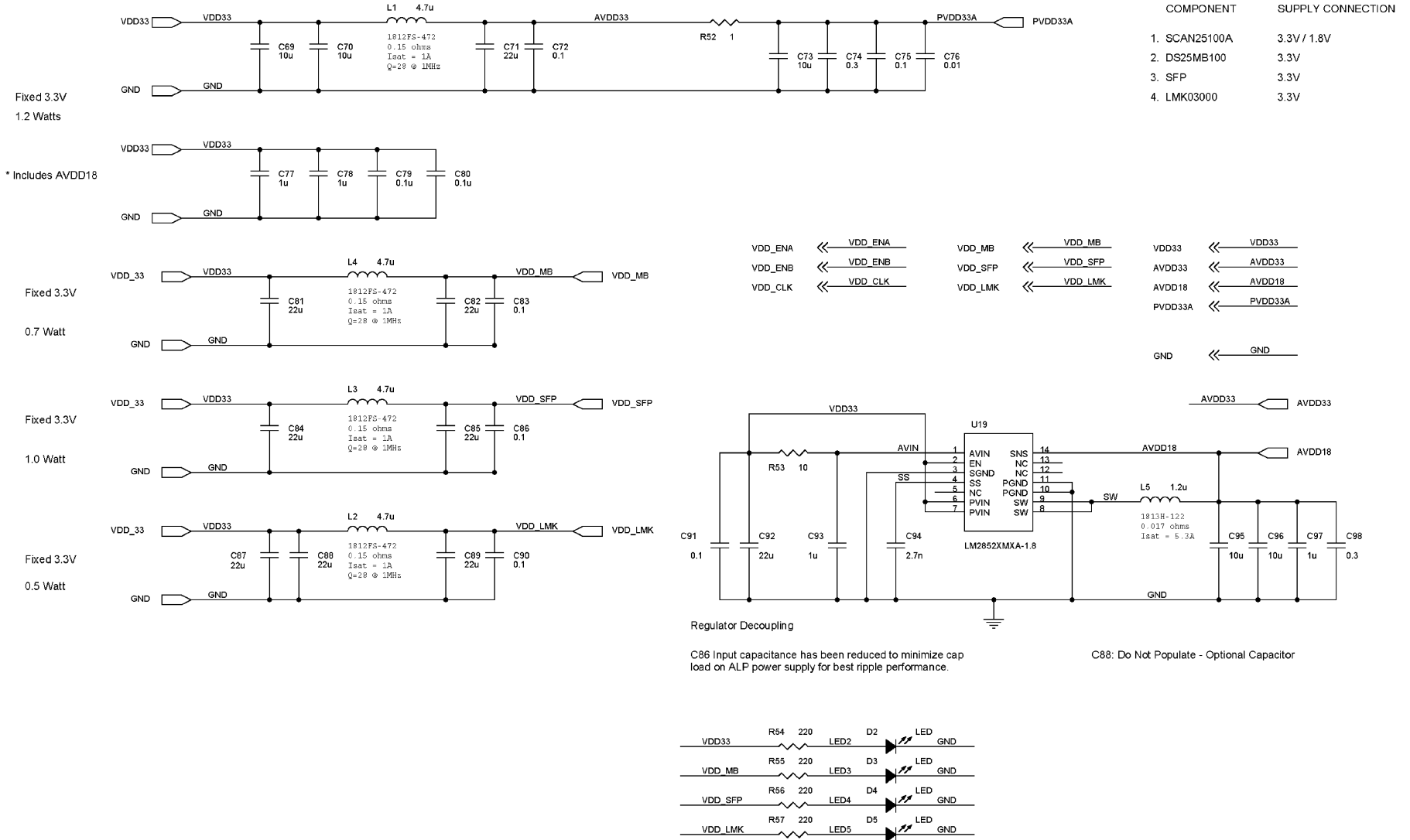


Figure 18. REC Schematic, Page 6

5.4 RE Schematics

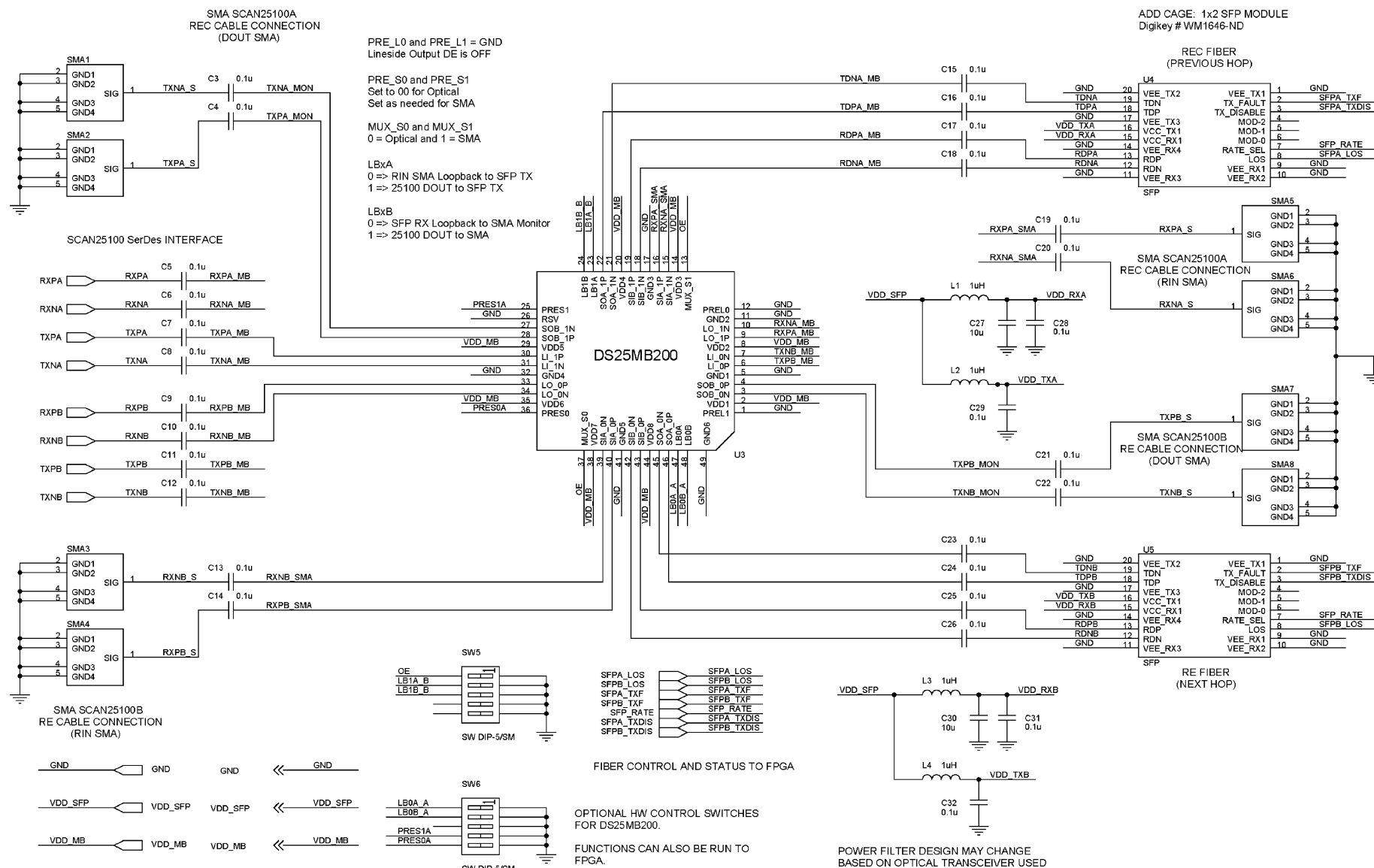


Figure 19. RE Schematic, Page 1

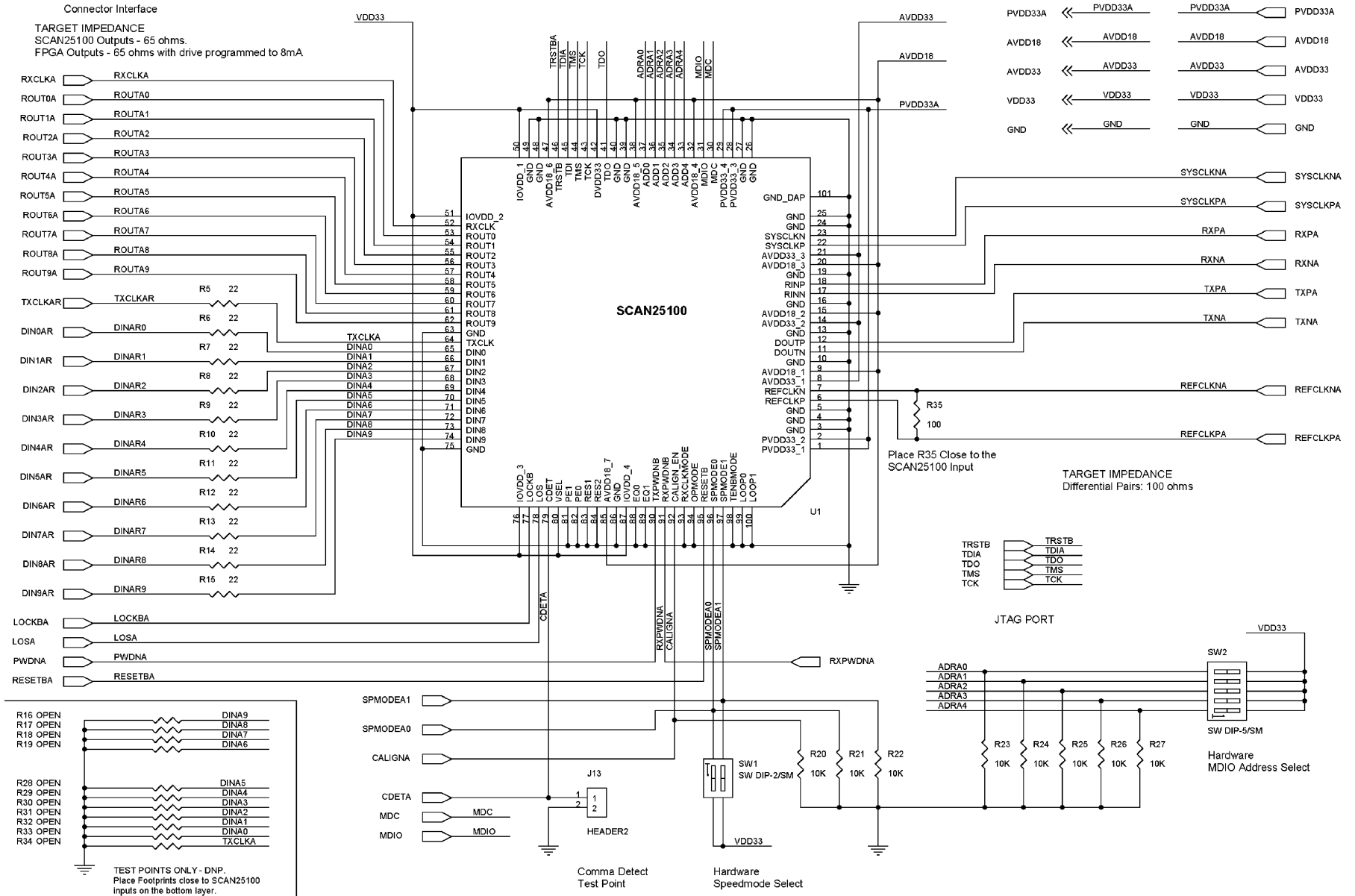


Figure 20. RE Schematic, Page 2

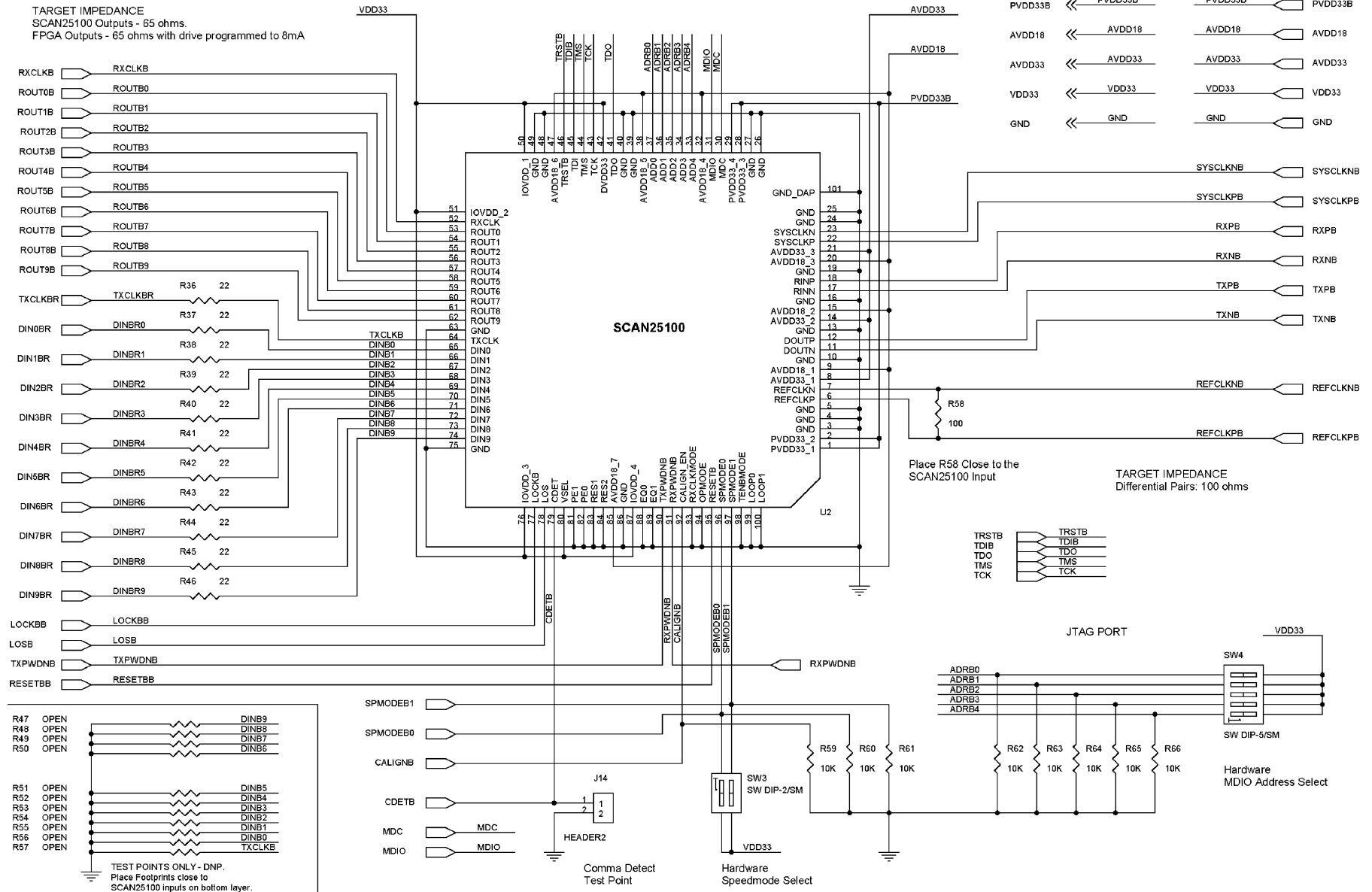


Figure 21. RE Schematic, Page 3

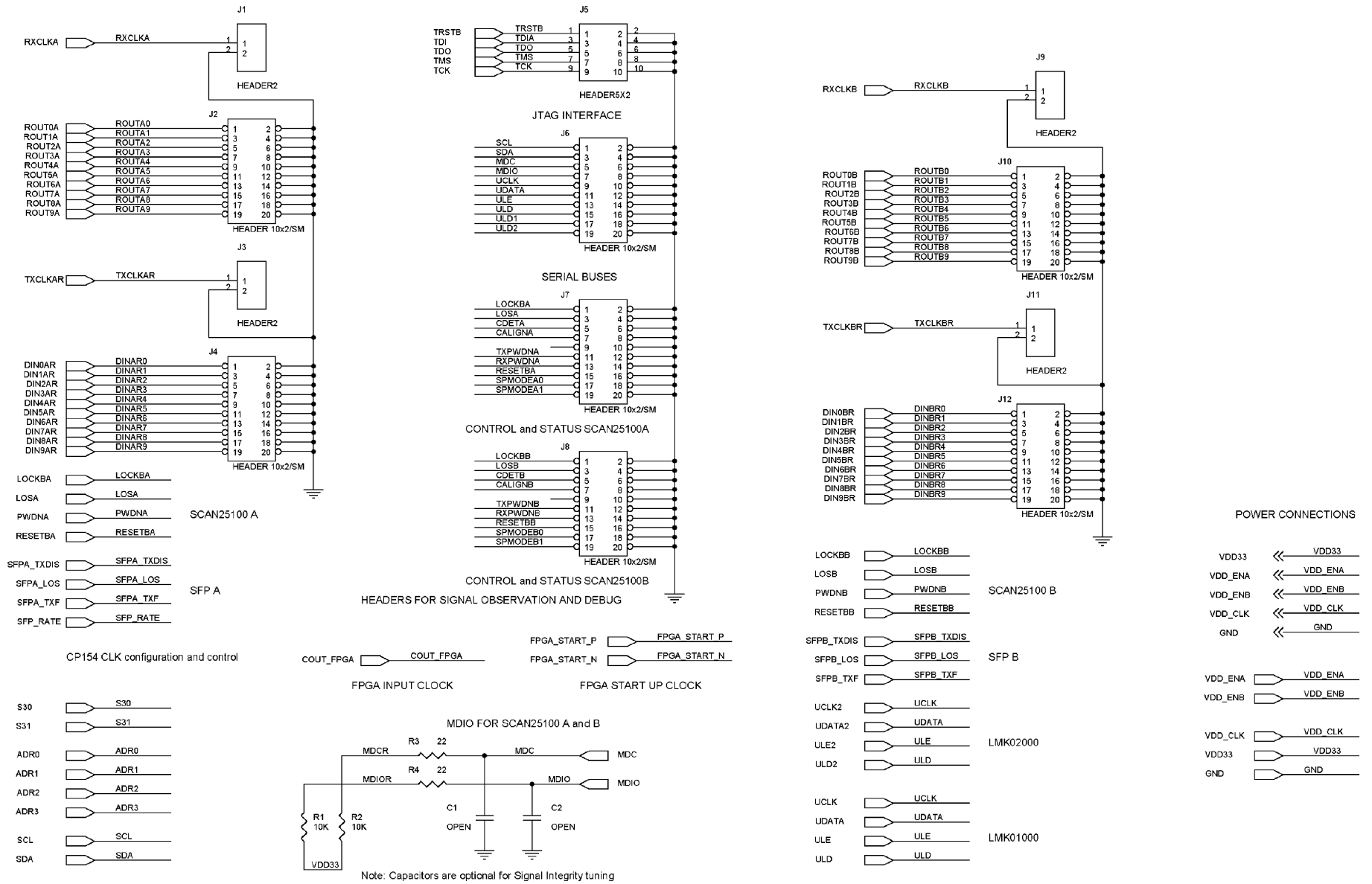


Figure 22. RE Schematic, Page 4

Separate PLL supply islands for each 25100

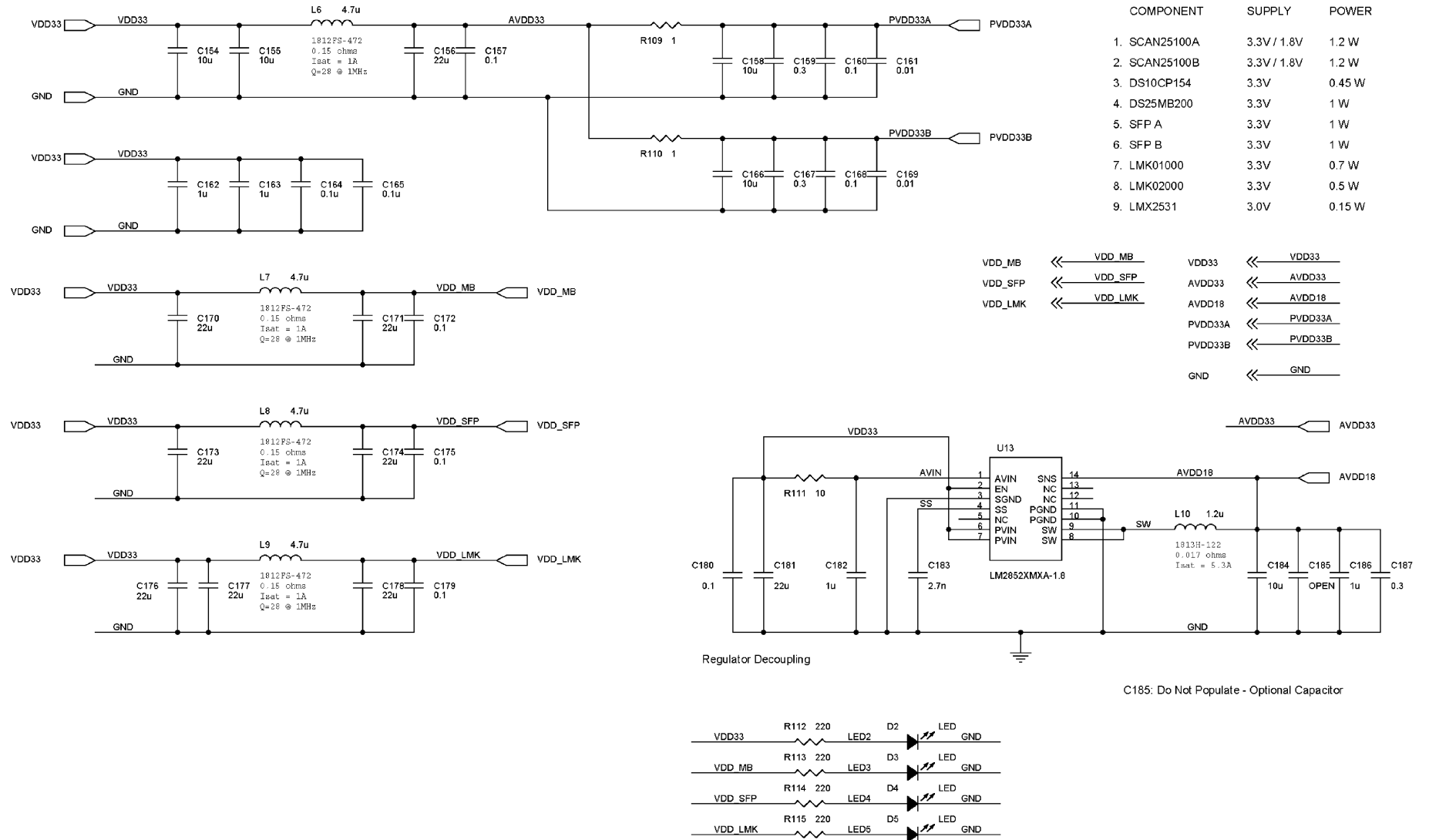


Figure 24. RE Schematic, Page 6

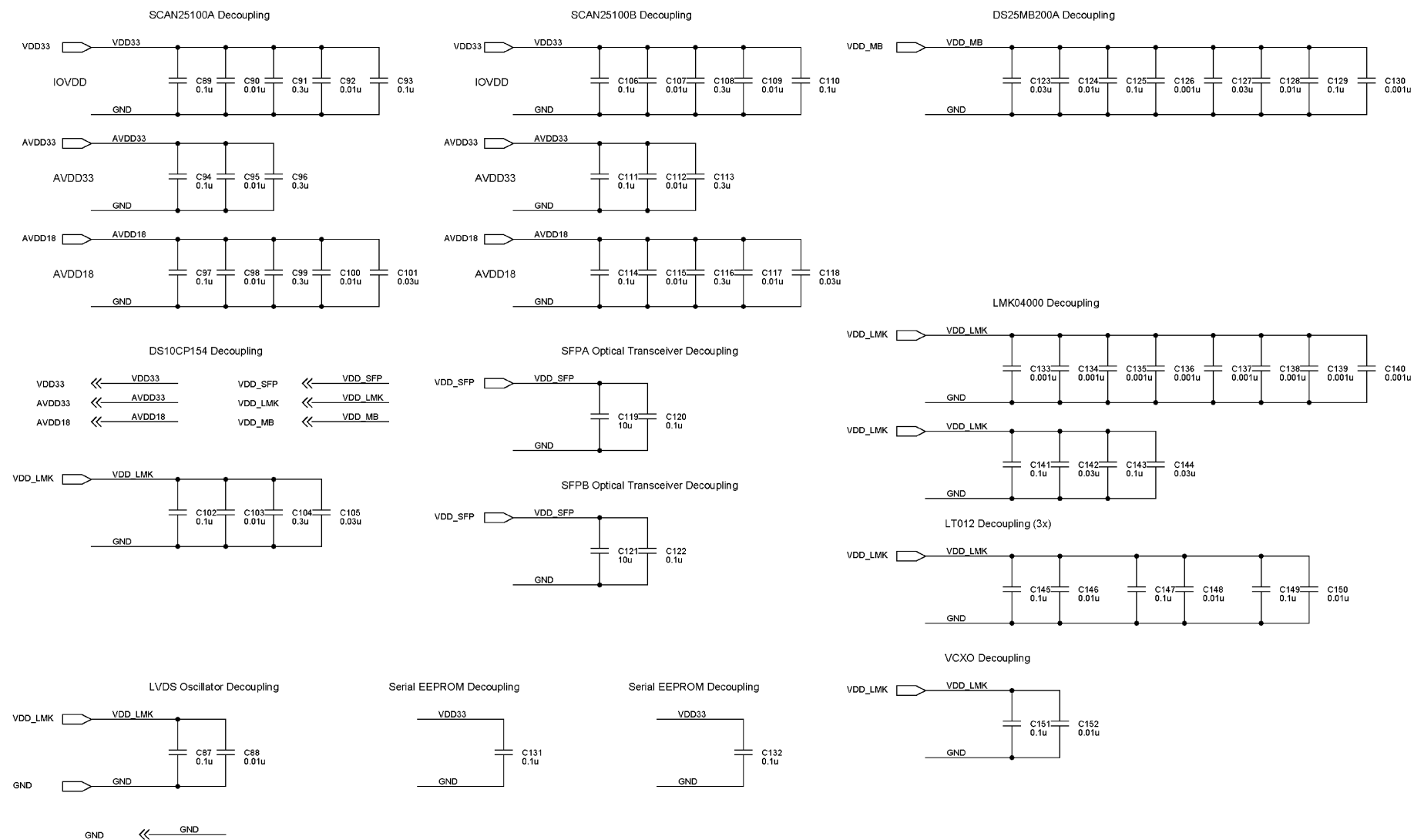


Figure 25. RE Schematic, Page 7

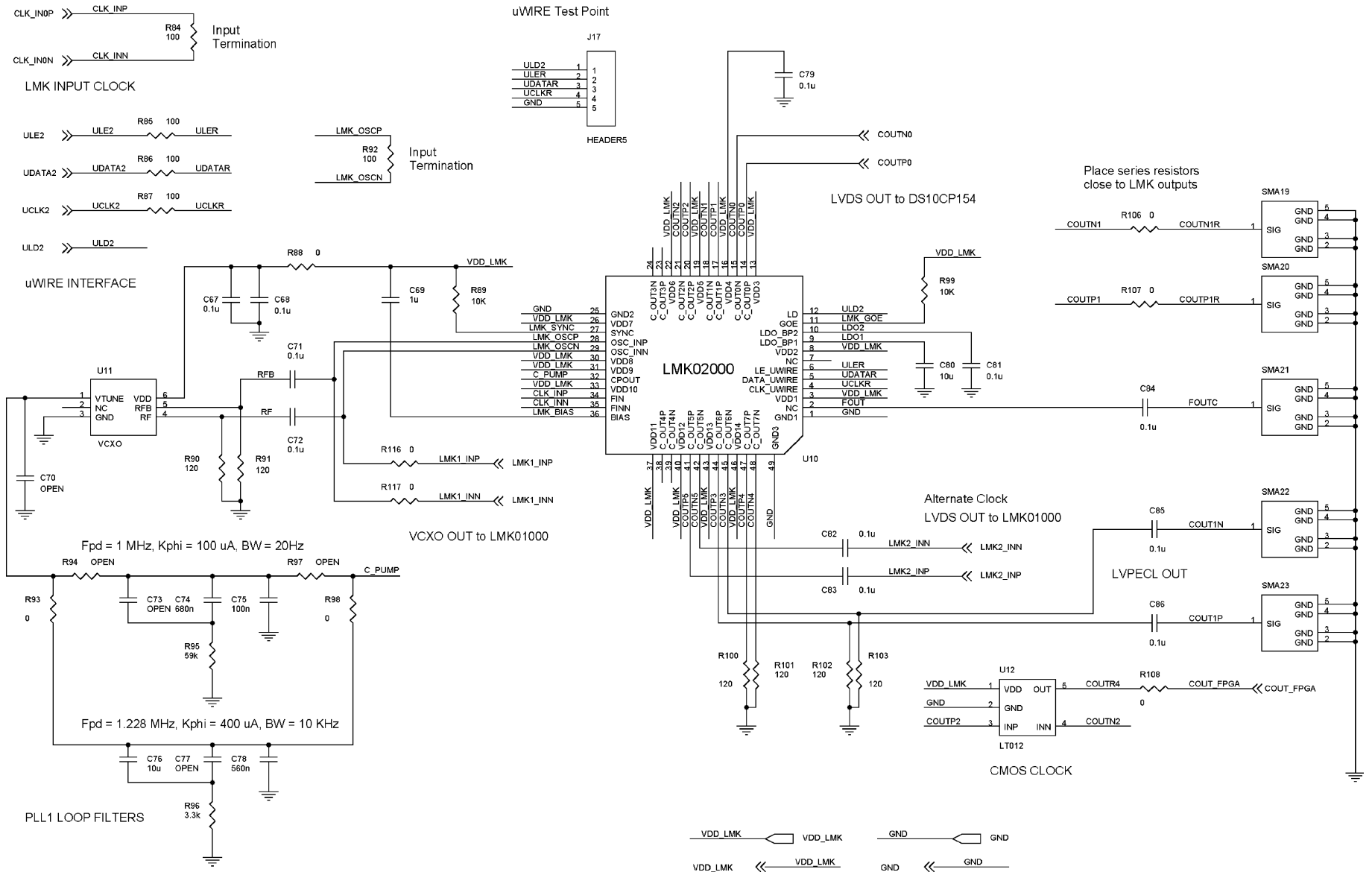


Figure 26. RE Schematic, Page 8

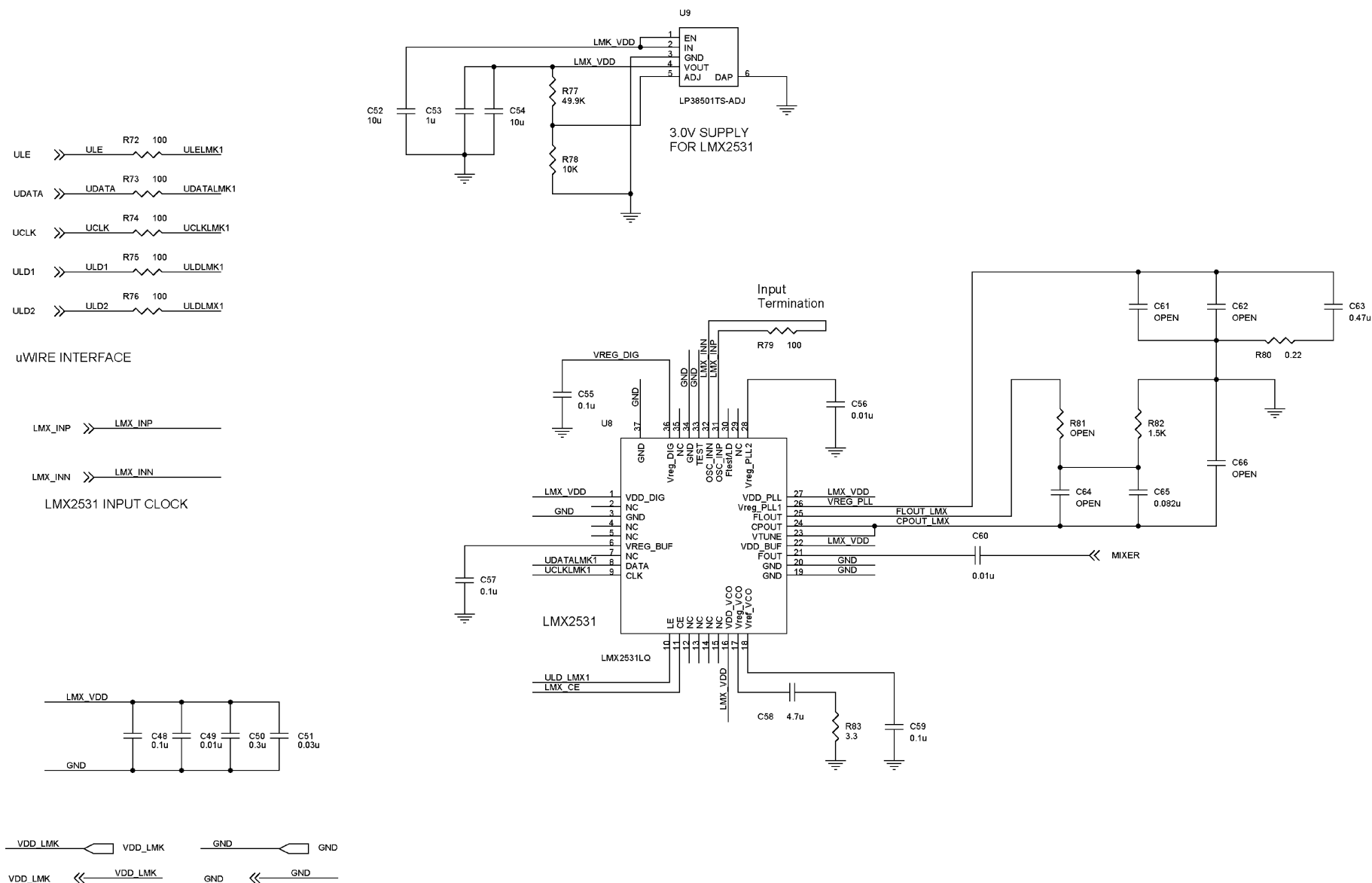


Figure 27. RE Schematic, Page 9

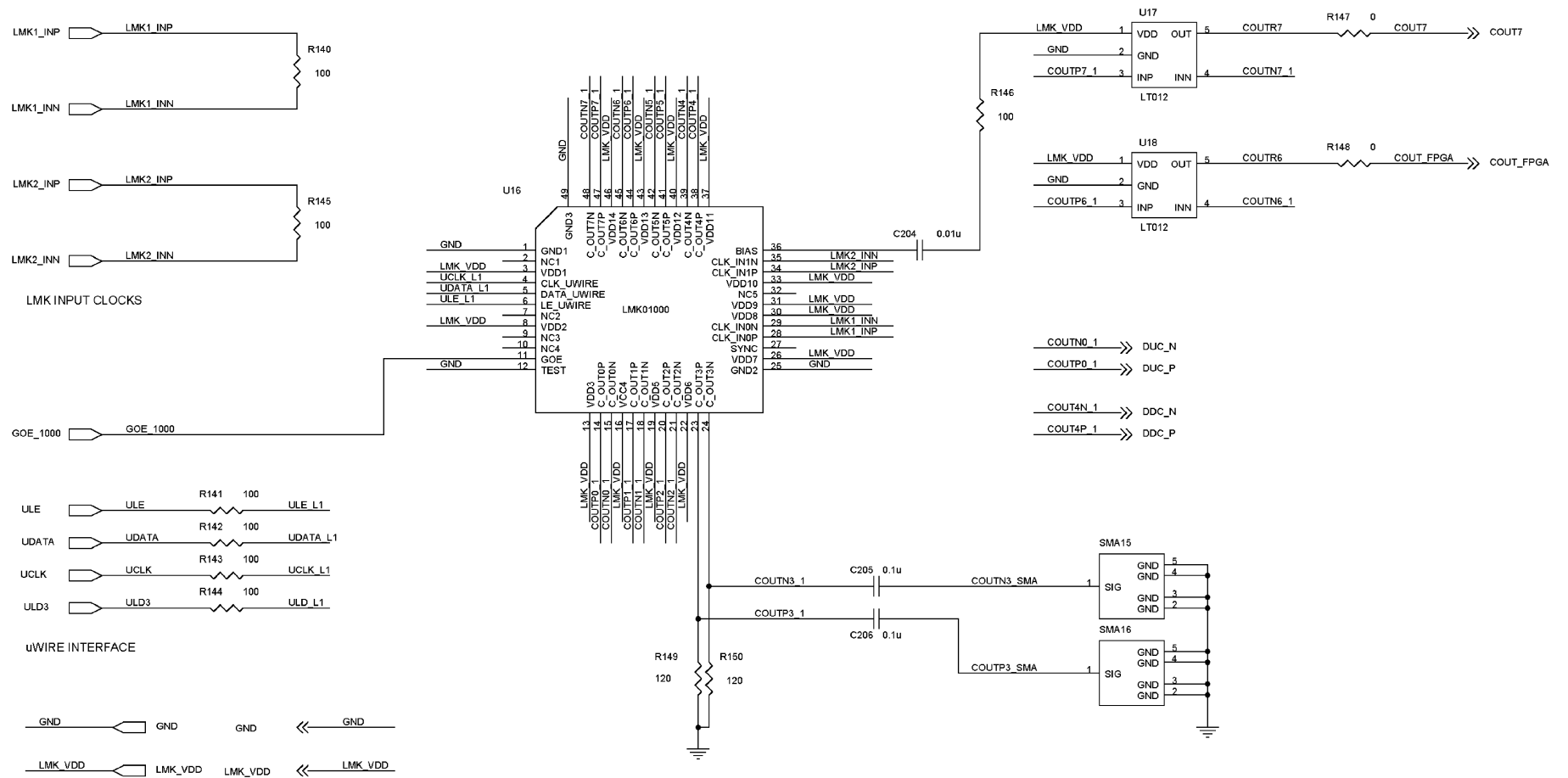


Figure 28. RE Schematic, Page 10

IMPORTANT NOTICE

Texas Instruments Incorporated and its subsidiaries (TI) reserve the right to make corrections, enhancements, improvements and other changes to its semiconductor products and services per JESD46, latest issue, and to discontinue any product or service per JESD48, latest issue. Buyers should obtain the latest relevant information before placing orders and should verify that such information is current and complete. All semiconductor products (also referred to herein as "components") are sold subject to TI's terms and conditions of sale supplied at the time of order acknowledgment.

TI warrants performance of its components to the specifications applicable at the time of sale, in accordance with the warranty in TI's terms and conditions of sale of semiconductor products. Testing and other quality control techniques are used to the extent TI deems necessary to support this warranty. Except where mandated by applicable law, testing of all parameters of each component is not necessarily performed.

TI assumes no liability for applications assistance or the design of Buyers' products. Buyers are responsible for their products and applications using TI components. To minimize the risks associated with Buyers' products and applications, Buyers should provide adequate design and operating safeguards.

TI does not warrant or represent that any license, either express or implied, is granted under any patent right, copyright, mask work right, or other intellectual property right relating to any combination, machine, or process in which TI components or services are used. Information published by TI regarding third-party products or services does not constitute a license to use such products or services or a warranty or endorsement thereof. Use of such information may require a license from a third party under the patents or other intellectual property of the third party, or a license from TI under the patents or other intellectual property of TI.

Reproduction of significant portions of TI information in TI data books or data sheets is permissible only if reproduction is without alteration and is accompanied by all associated warranties, conditions, limitations, and notices. TI is not responsible or liable for such altered documentation. Information of third parties may be subject to additional restrictions.

Resale of TI components or services with statements different from or beyond the parameters stated by TI for that component or service voids all express and any implied warranties for the associated TI component or service and is an unfair and deceptive business practice. TI is not responsible or liable for any such statements.

Buyer acknowledges and agrees that it is solely responsible for compliance with all legal, regulatory and safety-related requirements concerning its products, and any use of TI components in its applications, notwithstanding any applications-related information or support that may be provided by TI. Buyer represents and agrees that it has all the necessary expertise to create and implement safeguards which anticipate dangerous consequences of failures, monitor failures and their consequences, lessen the likelihood of failures that might cause harm and take appropriate remedial actions. Buyer will fully indemnify TI and its representatives against any damages arising out of the use of any TI components in safety-critical applications.

In some cases, TI components may be promoted specifically to facilitate safety-related applications. With such components, TI's goal is to help enable customers to design and create their own end-product solutions that meet applicable functional safety standards and requirements. Nonetheless, such components are subject to these terms.

No TI components are authorized for use in FDA Class III (or similar life-critical medical equipment) unless authorized officers of the parties have executed a special agreement specifically governing such use.

Only those TI components which TI has specifically designated as military grade or "enhanced plastic" are designed and intended for use in military/aerospace applications or environments. Buyer acknowledges and agrees that any military or aerospace use of TI components which have **not** been so designated is solely at the Buyer's risk, and that Buyer is solely responsible for compliance with all legal and regulatory requirements in connection with such use.

TI has specifically designated certain components as meeting ISO/TS16949 requirements, mainly for automotive use. In any case of use of non-designated products, TI will not be responsible for any failure to meet ISO/TS16949.

Products

Audio	www.ti.com/audio
Amplifiers	amplifier.ti.com
Data Converters	dataconverter.ti.com
DLP® Products	www.dlp.com
DSP	dsp.ti.com
Clocks and Timers	www.ti.com/clocks
Interface	interface.ti.com
Logic	logic.ti.com
Power Mgmt	power.ti.com
Microcontrollers	microcontroller.ti.com
RFID	www.ti-rfid.com
OMAP Applications Processors	www.ti.com/omap
Wireless Connectivity	www.ti.com/wirelessconnectivity

Applications

Automotive and Transportation	www.ti.com/automotive
Communications and Telecom	www.ti.com/communications
Computers and Peripherals	www.ti.com/computers
Consumer Electronics	www.ti.com/consumer-apps
Energy and Lighting	www.ti.com/energy
Industrial	www.ti.com/industrial
Medical	www.ti.com/medical
Security	www.ti.com/security
Space, Avionics and Defense	www.ti.com/space-avionics-defense
Video and Imaging	www.ti.com/video

TI E2E Community

e2e.ti.com