

TPS389006Q1EVM Multichannel Voltage Supervisor with I²C



ABSTRACT

This user's guide describes the operational use of the TPS389006Q1EVM evaluation module (EVM) as a reference design for engineering demonstration and evaluation of the [TPS389006-Q1 Multichannel Overvoltage and Undervoltage I²C Programmable Voltage Supervisor and Monitor](#). This guide contains the EVM schematic, bill of materials (BOM), assembly drawing, and top and bottom board layouts.

Table of Contents

1 Introduction	3
1.1 Related Documentation.....	4
1.2 TPS389006-Q1 Applications.....	4
2 Schematic, Bill of Materials, and Layout	5
2.1 TPS389006Q1EVM Schematic.....	5
2.2 TPS389006Q1EVM Bill of Materials.....	7
2.3 Layout and Component Placement.....	10
2.4 Layout.....	10
3 EVM Connectors	12
3.1 EVM Test Points.....	12
3.2 EVM Jumpers.....	13
4 EVM Setup and Operation	15
4.1 Setup and GUI Installations.....	16
4.2 Quick Start to TPS389006Q1EVM GUI.....	20
4.3 Example Operation of TPS389xxx-Q1.....	25
5 Revision History	26

List of Figures

Figure 1-1. TPS389006Q1EVM Board Top.....	3
Figure 1-2. TPS389006Q1EVM Board Bottom.....	4
Figure 2-1. TPS389006Q1EVM Main Schematic.....	5
Figure 2-2. TPS389006Q1EVM I ² C Schematic with Buffers.....	6
Figure 2-3. Component Placement—Top Assembly.....	10
Figure 2-4. Component Placement—Bottom Assembly.....	10
Figure 2-5. Layout—Top.....	10
Figure 2-6. Layout—Bottom.....	10
Figure 2-7. Top Layer.....	11
Figure 2-8. Bottom Layer.....	11
Figure 2-9. Top Solder Mask.....	11
Figure 2-10. Bottom Solder Mask.....	11
Figure 3-1. TPS389006Q1EVM Jumper Locations.....	14
Figure 4-1. TPS389006Q1EVM Connection Description.....	16
Figure 4-2. Setup License Agreement Window.....	17
Figure 4-3. Setup Destination Window.....	17
Figure 4-4. Setup Window - Start Menu Selection.....	18
Figure 4-5. Setup Window - Additional Tasks.....	18
Figure 4-6. Setup Installation Window.....	19
Figure 4-7. Installation Complete Window.....	19
Figure 4-8. Fusion Welcome Window.....	20
Figure 4-9. Fusion Scan Window.....	21

Figure 4-10. Fusion Scan Selection Window.....	21
Figure 4-11. Fusion Scan Window - Scanning for TPS389006Q1EVM.....	22
Figure 4-12. Fusion Scan Window - Scan for TPS389006Q1EVM Completed.....	22
Figure 4-13. Fusion Digital Power Device GUI - TPS389006Q1EVM (Image #1).....	23
Figure 4-14. Fusion Digital Power Device GUI - TPS389006Q1EVM (Image #2).....	23
Figure 4-15. Fusion Digital Power Device GUI - TPS389006Q1EVM (Image #3).....	24
Figure 4-16. TPS389006Q1EVM Monitoring Four Voltage Supply Rails.....	25
Figure 4-17. TPS389006Q1EVM GUI Setup for Monitoring Four Voltage Supply Rails.....	26

List of Tables

Table 2-1. Bill of Materials.....	7
Table 3-1. Test Points.....	12
Table 3-2. List of On-board Jumpers.....	13

Trademarks

All trademarks are the property of their respective owners.

1 Introduction

The TPS389006Q1EVM is an evaluation module (EVM) for the [TPS389006-Q1 Multichannel Overvoltage and Undervoltage I²C Programmable Voltage Supervisor and Monitor](#). Test points are provided to give the user additional access, if needed, for oscilloscope or multi-meter measurements.

TPS389006Q1EVM comes with TPS389006004RTERQ1 pre-populated on pad U1 or depending on availability TPS389006Q1EVM can be fitted with socket J7 to house TPS389006004RTERQ1. This IC variant is configured for six integrated multichannel window inputs to monitor six distinct input voltage rails with two remote sense pins. The device also includes internal glitch immunity and noise filters to eliminate false resets resulting from erroneous signals. The TPS389006-Q1 device does not require any external resistors for setting overvoltage and undervoltage reset thresholds which optimizes and improves the reliability for safety systems.

I²C functionality gives flexibility in selecting thresholds, reset delays, glitch filters, and pin functionality. This device offers CRC error checking, sequence logging during turn ON or turn OFF, and a built-in ADC for voltage readouts to provide redundant error checking. In addition, TPS389006-Q1 offers a sync feature for tagging rails coming up. Rail tagging works across multiple instances of TPS389006-Q1 devices. If users need a different TPS389006-Q1 variant, the existing device must be removed from the board. The EVM board is designed to support all possible options by changing jumper configurations, such as the TPS389R0x-Q1 variant. TPS389006Q1EVM is capable of daisy-chaining, through 10-pin ribbon, up to three evaluation boards.

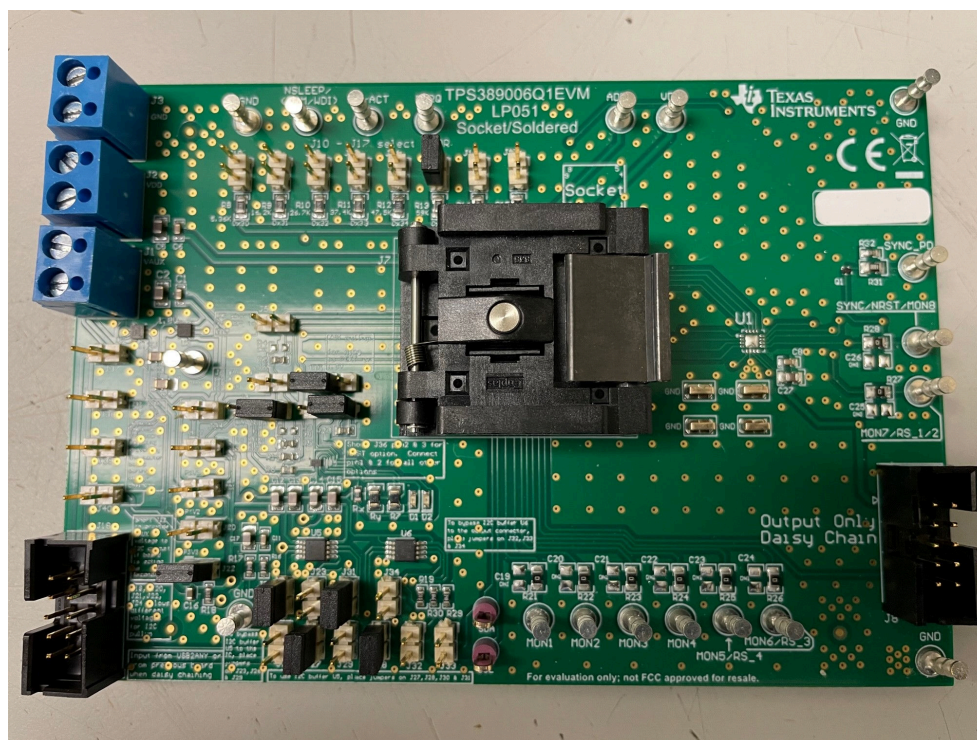


Figure 1-1. TPS389006Q1EVM Board Top

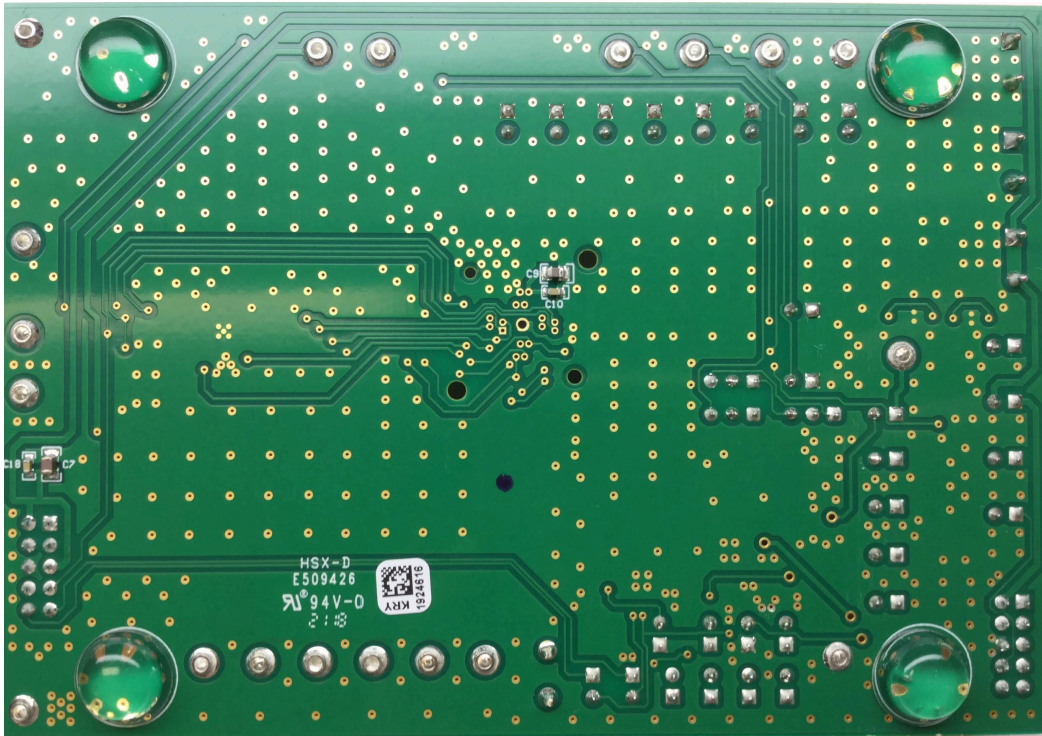


Figure 1-2. TPS389006Q1EVM Board Bottom

1.1 Related Documentation

Data sheet: [TPS389006-Q1 Multichannel Overvoltage and Undervoltage I²C Programmable Voltage Supervisor and Monitor](#)

1.2 TPS389006-Q1 Applications

- [Advanced Driver Assistance System \(ADAS\)](#)
- [Sensor fusion](#)
- [Medical robotics](#)
- [Industrial robotics](#)

2 Schematic, Bill of Materials, and Layout

This section provides a detailed description of the TPS389006Q1EVM schematic, bill of materials (BOM), and layout.

2.1 TPS389006Q1EVM Schematic

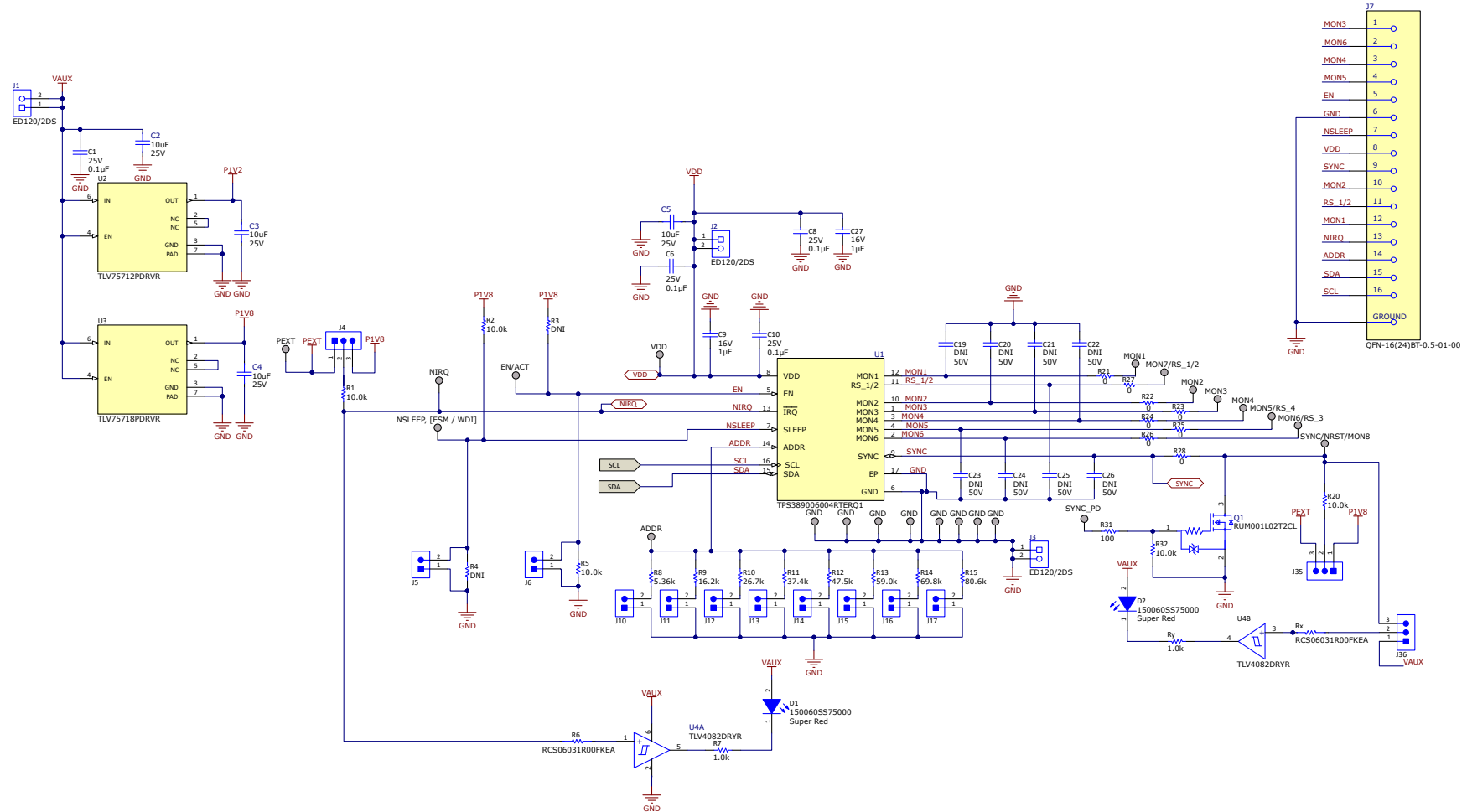


Figure 2-1. TPS389006Q1EVM Main Schematic

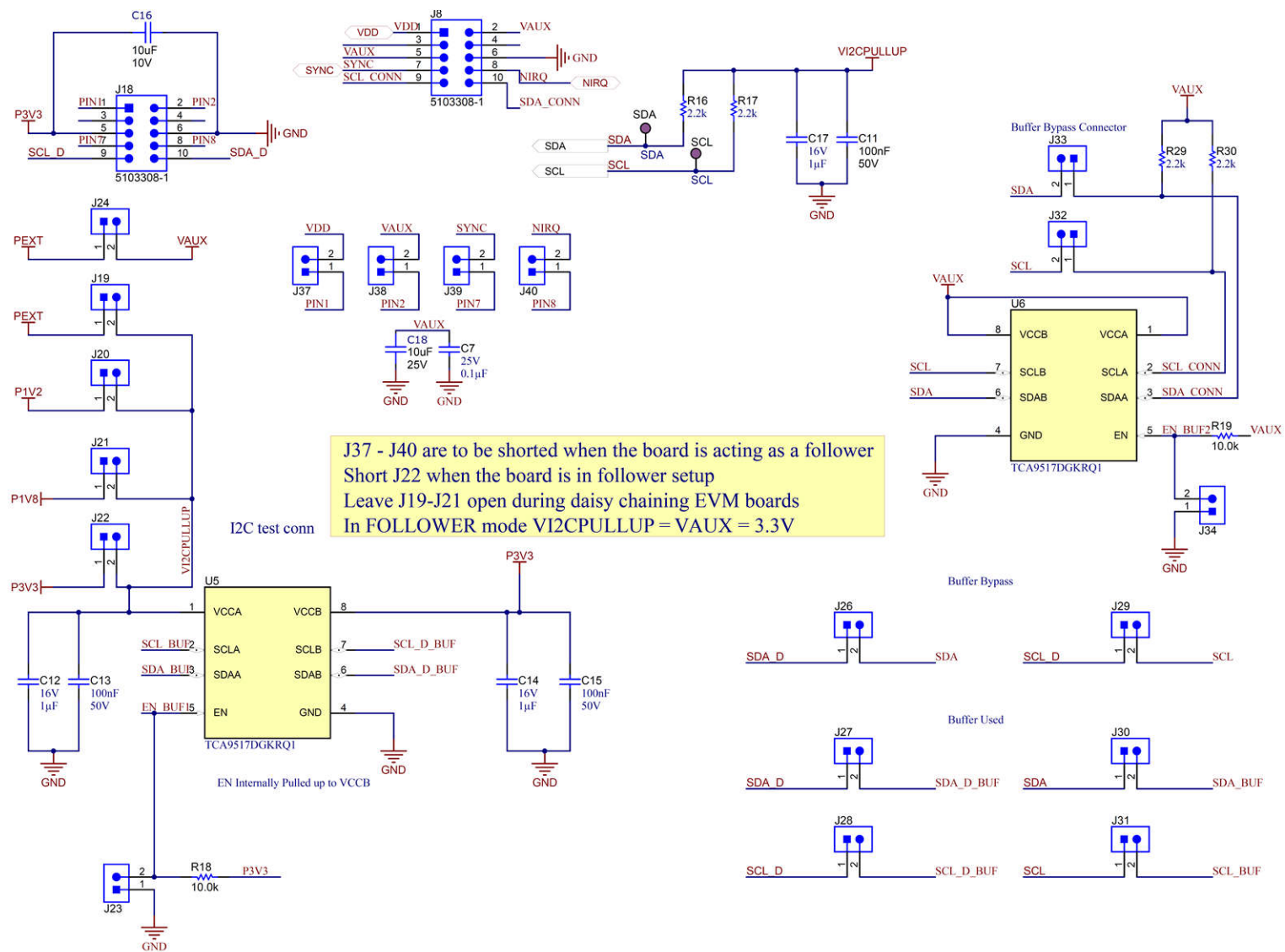


Figure 2-2. TPS389006Q1EVM I²C Schematic with Buffers

2.2 TPS389006Q1EVM Bill of Materials

Table 2-1. Bill of Materials

DESIGNATOR	QTY	VALUE	DESCRIPTION	PACKAGE REFERENCE	PART NUMBER	MANUFACTURER
PCB	1	LP051	Printed Circuit Board		TPS389006Q1EVM	Any
C1, C6, C7, C8, C10	5	0.1µF	CAP, CERM, 0.1µF, 25V, +/- 10%, X5R, 0603	0603	CL10A104KA8NNNC	Samsung Electro-Mechanics
C2, C3, C4, C5, C18	5	10µF	10µF ±10% 25V Ceramic Capacitor X7S 0805 (2012 Metric)	0805	C2012X7S1E106K125AC	TDK
C9, C12, C14, C17, C27	5	1µF	CAP, CERM, 1µF, 16V, +/- 10%, X7R, AEC-Q200 Grade 1, 0805	0805	C0805C105K4RACAUTO	Kemet
C11	1	0.1µF	CAP, CERM, 0.1µF, 50V, +/- 10%, X7R, 0603	0603	06035C104KAT2A	AVX
C13, C15, C19(DNI), C20(DNI), C21(DNI), C22(DNI), C23(DNI), C24(DNI), C25(DNI), C26(DNI)	2	0.1µF	CAP, CERM, 0.1µF, 50V, +/- 10%, X7R, 0805 (C19 - C26 DO NOT POPULATE)	0805	C0805C104K5RACTU	Kemet
C16	1	10µF	10µF ±10% 10V Ceramic Capacitor X5R 0603 (1608 Metric)	0603	C1608X5R1A106K080AC	TDK
D1, D2	2	Super Red	LED, Super Red, SMD	LED_0603	150060SS75000	Würth Elektronik
EN/ACT, MON1, MON2, MON3, MON4, MON5/RS_4, MON6/RS_3, MON7, NIRQ, NSLEEP/, SYNC/NRST/MON8, SYNC_PD, TP6a, TP6b, TP6c, TP6d, TP_ADDR, TP_EXT, VDD	19	Turret	Terminal, Turret, TH, Triple	Keystone 1598-2	1598-2	Keystone
GND1, GND2, GND3, GND4	4	Test Point (SMD)	Test Point, Miniature, SMT	Miniature, SMT	5019	Keystone
H1, H2, H3, H4	4	Bumpon Pad	Bumpon, Hemisphere, 0.44 X 0.20, Clear	Transparent Bumpon	SJ-5303 (CLEAR)	3M
J1, J2, J3	3	Terminal Block	Terminal Block, 5.08mm, 2x1, Brass, TH	2x1 5.08mm Terminal Block	ED120/2DS	On-Shore Technology
J4, J35, J36	3	Header	Header, 100mil, 3x1, Gold, TH	3x1 Header	TSW-103-07-G-S	Samtec
J5, J6, J10, J11, J12, J13, J14, J15, J16, J17, J19, J20, J21, J22, J23, J24, J26, J27, J28, J29, J30, J31, J32, J33, J34, J37, J38, J39, J40	29	Header	Header, 100mil, 2x1, Gold, TH	2x1 Header	TSW-102-07-G-S	Samtec
J7	1 ⁽¹⁾	Socket ⁽¹⁾	QFN CLAMSHELL 16 PIN RTE THRU HOLE WITH CENTER GND	16-Pin Socket	QFN-16(24)BT-0.5-01	Enplas

Table 2-1. Bill of Materials (continued)

DESIGNATOR	QTY	VALUE	DESCRIPTION	PACKAGE REFERENCE	PART NUMBER	MANUFACTURER
J8, J18	2	Shrouded Header	Header (shrouded), 100mil, 5x2, Gold, TH	5x2 Shrouded header	5103308-1	TE Connectivity
Q1	1	MOSFET	MOSFET N-CH 20V, 0.1A, VMT3	SOT723	RUM001L02T2CL	ROHM Semiconductor
R1, R18, R19, R32	4	10kΩ	RES, 10.0kΩ, 1%, 0.1W, 0603	0603	RC0603FR-0710KL	Yageo
R2, R5, R20	3	10kΩ	RES, 10.0kΩ, 1%, 0.1W, 0603	0603	RCG060310K0FKEA	Vishay Draloric
R3(DNI)	0	10kΩ	RES, DNP, 1%, 0.1 W, 0603 (DO NOT POPULATE)	0603	RCG060310K0FKEA	Vishay Draloric
R4(DNI)	0	21kΩ	RES, DNP, 1%, 0.1 W, 0603 (DO NOT POPULATE)	0603	RC0603FR-0721KL	Yageo
R6, Rx	2	1Ω	1 Ohms ±1% 0.25 W, ¼ W Chip Resistor 0603 (1608 Metric) Automotive AEC-Q200, Pulse Withstanding Thick Film	0603	RCS06031R00FKEA	Vishay
R7, Ry	2	1kΩ	RES, 1.0kΩ, 5%, 0.125W, AEC-Q200 Grade 0, 0805	0805	ERJ-6GEYJ102V	Panasonic
R8	1	5.36kΩ	RES, 5.36 k, 1%, 0.125 W, AEC-Q200 Grade 0, 0805	0805	ERJ-6ENF5361V	Panasonic
R9	1	16.2kΩ	RES, 16.2kΩ, 1%, 0.125W, AEC-Q200 Grade 0, 0805	0805	ERJ-6ENF1622V	Panasonic
R10	1	26.7kΩ	RES, 26.7kΩ, 1%, 0.125W, AEC-Q200 Grade 0, 0805	0805	ERJ-6ENF2672V	Panasonic
R11	1	37.4kΩ	RES, 37.4kΩ, 1%, 0.125W, AEC-Q200 Grade 0, 0805	0805	ERJ-6ENF3742V	Panasonic
R12	1	47.5kΩ	RES, 47.5kΩ, 1%, 0.125W, AEC-Q200 Grade 0, 0805	0805	ERJ-6ENF4752V	Panasonic
R13	1	59kΩ	RES, 59kΩ, 1%, 0.125W, AEC-Q200 Grade 0, 0805	0805	ERJ-6ENF5902V	Panasonic
R14	1	69.8kΩ	RES, 69.8kΩ, 1%, 0.125W, AEC-Q200 Grade 0, 0805	0805	ERJ-6ENF6982V	Panasonic
R15	1	80.6kΩ	RES, 80.6kΩ, 1%, 0.125W, AEC-Q200 Grade 0, 0805	0805	ERJ-6ENF8062V	Panasonic
R16, R17, R29, R30	4	2.2kΩ	RES, 2.2kΩ, 5%, 0.1W, 0603	0603	RC0603JR-072K2L	Yageo
R21, R22, R23, R24, R25, R26, R27, R28	8	0Ω	RES, 0Ω, 5%, 0.125W, 0805	0805	RC0805JR-070RL	Yageo
R31	1	100Ω	RES, 100Ω, 5%, 0.125W, AEC-Q200 Grade 0, 0805	0805	ERJ-6GEYJ101V	Panasonic
SCL, SDA	2	Test Points	Test Point, Multipurpose, Purple, TH	Purple Multipurpose Test point	5129	Keystone
U1	0	IC	ASIL-D Multichannel Overvoltage and Undervoltage I2C Programmable Voltage Supervisor and Monitor	WQFN16	TPS389006004RTERQ1	TI
U2	1	IC	1A Low-Quiescent-Current Low-Dropout (LDO) Regulator, 1.2V, DRV0006A (WSON-6)	WSON-6	TLV75712PDRVR	TI

Table 2-1. Bill of Materials (continued)

DESIGNATOR	QTY	VALUE	DESCRIPTION	PACKAGE REFERENCE	PART NUMBER	MANUFACTURER
U3	1	IC	1A Low-Quiescent-Current Low-Dropout (LDO) Regulator, 1.8V, DRV0006A (WSON-6)	WSON-6	TLV75718PDRVR	TI
U4	1	IC	Dual-Channel, Low-Power Comparator with Integrated Reference	SON6	TLV4082DRYR	TI
U5, U6	2	IC	Automotive, Level-Shifting I ² C Bus Repeater, DGK0008A (VSSOP-8)	VSSOP-8 (DGK0008A)	TCA9517DGKRQ1	TI
FID1, FID2, FID3	0		Fiducial mark. There is nothing to buy or mount.	Fiducial	N/A	N/A

(1) Dependent on availability, if J7 is not available the U1 device is installed on the U1 pad.

2.3 Layout and Component Placement

Figure 2-3 and Figure 2-4 show the top and bottom assemblies of the printed circuit board (PCB) to show the component placement on the EVM.

Figure 2-5 and Figure 2-6 show the top and bottom layouts, Figure 2-7 and Figure 2-8 show the top and bottom layers, and Figure 2-9 and Figure 2-10 shows the top and bottom solder masks of the EVM.

2.4 Layout

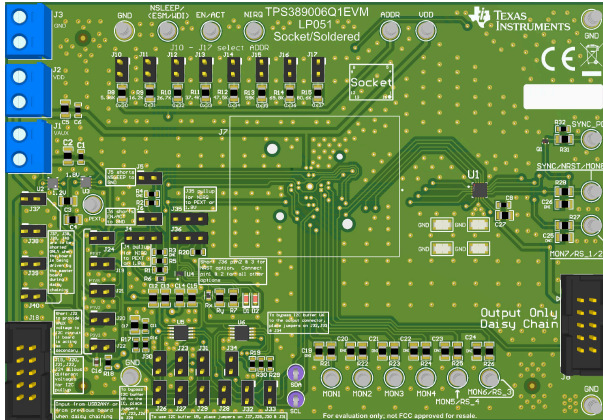


Figure 2-3. Component Placement—Top Assembly

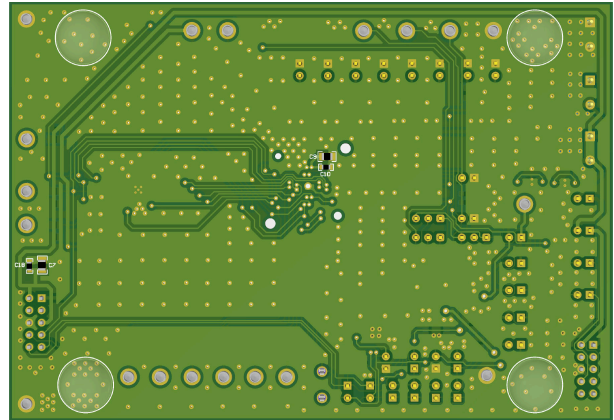


Figure 2-4. Component Placement—Bottom Assembly

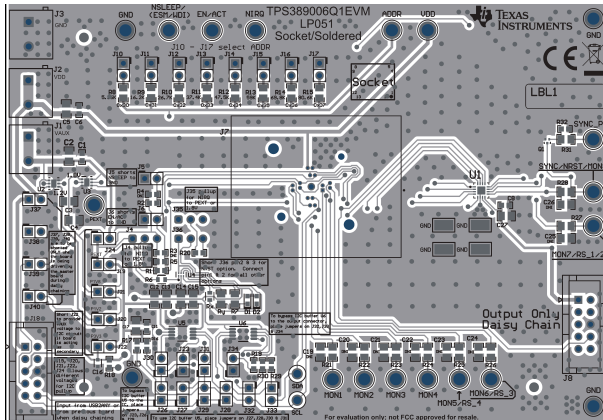


Figure 2-5. Layout—Top

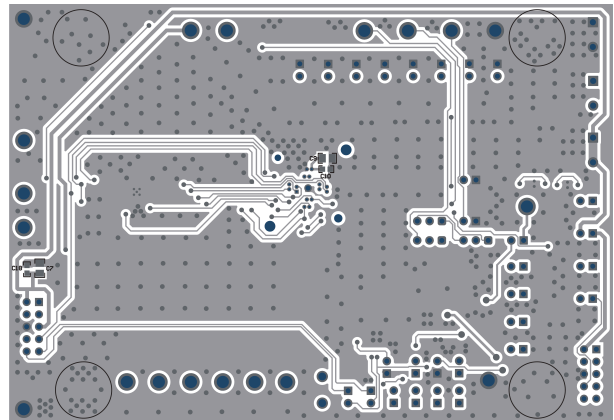


Figure 2-6. Layout—Bottom

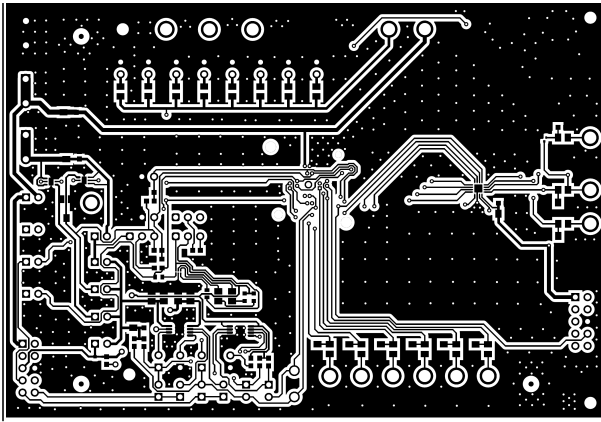


Figure 2-7. Top Layer

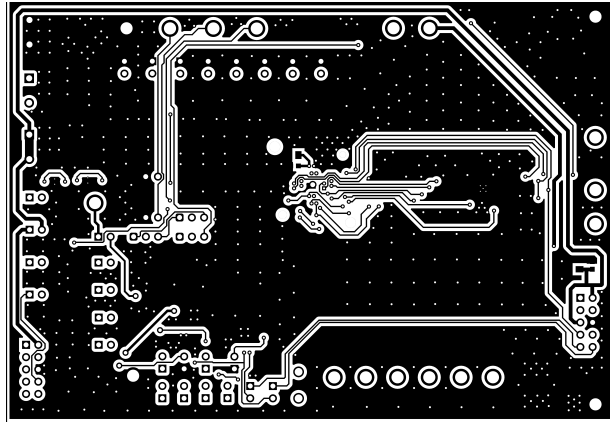


Figure 2-8. Bottom Layer

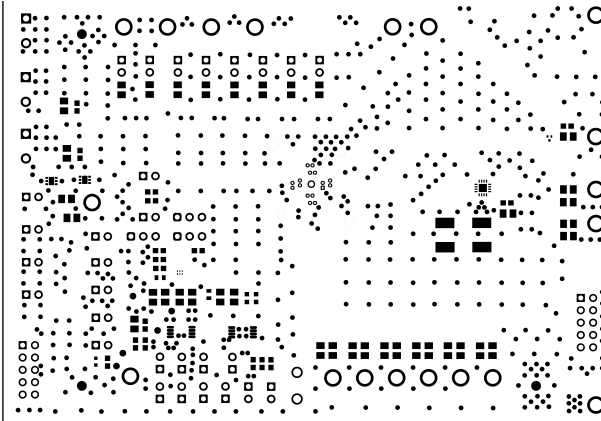


Figure 2-9. Top Solder Mask

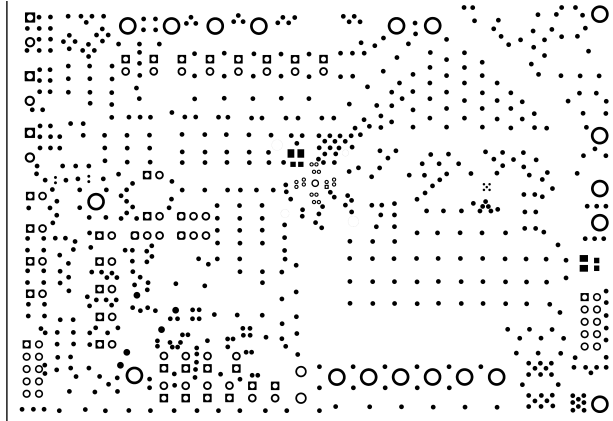


Figure 2-10. Bottom Solder Mask

3 EVM Connectors

This section describes the connectors, jumpers, and test points on the EVM as well as how to connect, set up, and properly use the EVM. Each device has an independent supply connection, but all grounds are connected on the board.

3.1 EVM Test Points

Table 3-1 lists the EVM test points as well as the functional descriptions. All TPS389006-Q1 pins have a corresponding test point on the EVM. These test points are located close to the pins for more accurate measurements. In addition to the test points listed below, the EVM also has four additional GND test points.

Table 3-1. Test Points

TEST POINT SILKSCREEN LABEL	FUNCTION	DESCRIPTION
MON1	Connection to MON1 pin	Allows the user to monitor voltage rail #1
MON2	Connection to MON2 pin	Allows the user to monitor voltage rail #2
MON3	Connection to MON3 pin	Allows the user to monitor voltage rail #3
MON4	Connection to MON4 pin	Allows the user to monitor voltage rail #4
MON5/RS_4	Connection to MON5 pin	Allows the user to monitor voltage rail #5
MON6/RS_3	Connection to MON6 pin	Allows the user to monitor voltage rail #6
MON7/RS_1/2	Connection to RS_1/2 pin	Allows the user to remote sense MON1 or MON2
SYNC/NRST/MON8	Connection to SYNC pin	SYNC pin indicates the number of monitored rails that have exited fault status and assigns tag values to each monitor voltage rail. Note when the TPS389R0x-Q1 device is utilized, the NRST signal is reported at this test pin.
SYNC_PD	Connection to SYNC_PD	Forcing the SYNC pin to toggle during test and increments an internal tag counter for each of the monitored channel (for debug purposes only)
ADDR	Connection to ADDR pin	Allows the user to measure the I ² C address voltage
NIRQ	Connection to NIRQ pin	Allows the user to monitor the interrupt (NIRQ) output
EN/ACT	Connection to ACT pin	Allows the user to set the ACT input to VDD or GND
SLEEP/ESM/WDI	Connection to SLEEP pin	Allows the user to set SLEEP input
SCL	Connection to SCL pin	Allows the user to monitor the clock signal input
SDA	Connection to SDA pin	Allows the user to monitor the data signal input
PEXT	External power supply	Allows the user to apply a power supply voltage that is not provided from the EVM
GND	GND for EVM	GND for EVM

3.2 EVM Jumpers

Table 3-2 lists the jumpers on the TPS389006Q1EVM. As ordered, the EVM has thirty-five (35) jumpers installed. Figure 3-1 is provided as visual aid.

Table 3-2. List of On-board Jumpers

JUMPER	JUMPER CONFIGURATION	DESCRIPTION
J1	VAUX	For connecting VAUX power to the EVM
J2	VDD	For connecting VDD power to the EVM
J3	GND	For connecting GND to the EVM
J4	Shunted (default) Pin 2 to Pin 3	For connecting ACT, NIRQ, and $\overline{\text{SLEEP}}$ to P1V8 or PEXT (Any external power)
J5 and J6	Open	For manually pulling down $\overline{\text{SLEEP}}$ and ACT pins to GND
J10, J11, J12, J13, J14, J15, J16, and J17	J15 shunted	Shunting any one of J10-J17 jumpers selects the I ² C address for TPS389006-Q1 IC on the EVM
J19, J20, and J21	Open	For connecting to the on-board I ² C buffer and pull-up voltage rail to either P1V8, PEXT or P1V2. Only shunt one of these jumpers at a time. Please remove the shunt of J22 when using one of these jumpers.
J22	Shunt	For connecting to the on-board, buffer I ² C and pull-up voltage rail to P3V3. During <i>daisy-chain</i> configuration, J22 needs to be shunted and J19, J20, and J21 needs to be open on the secondary EVMs.
J23	Shunted	Disables (U5) I ² C buffer
J24	Open	Connects PEXT to VAUX
J26 and J29	Shunted	Shunting both J26 and J29 bypasses the I ² C (U5) buffer for SDA and SCL signal lines
J27, J28, J30, and J31	Open	Shunting these jumpers buffers SCL and SDA I ² C signal lines by using the on-board (U5) buffer.
J32 and J33	Shunted	Shunting both J32 and J33 bypasses the I ² C (U6) buffer for SDA and SCL signal lines
J34	Shunted	Disables (U6) I ² C buffer
J35	Shunted (default) Pin 1 to Pin 2	SYNC pin is pulled up to P1V8. Note if TPS389006-Q1 variant is used, NRST is pulled up to P1V8 when using the described jumper placement.
J36	Shunted (default) Pin 2 to Pin 3	Input to one of (U4) comparators to indicate the SYNC pin has <i>tagged</i> a voltage rail that is not in a fault condition
J37, J38, J39, J40	Open	If multiple EVMs are connected in a <i>daisy-chain</i> configuration, then the following EVM boards needs to have J37, J38, J39, and J40 all shunted. By shunting these jumpers, VDD, VAUX, SYNC, and NIRQ signals is provided as inputs from the primary EVM board. Also, J22 needs to be shunted and J19, J20, and J21 needs to be open on the secondary EVMs during <i>daisy-chain</i> configuration.

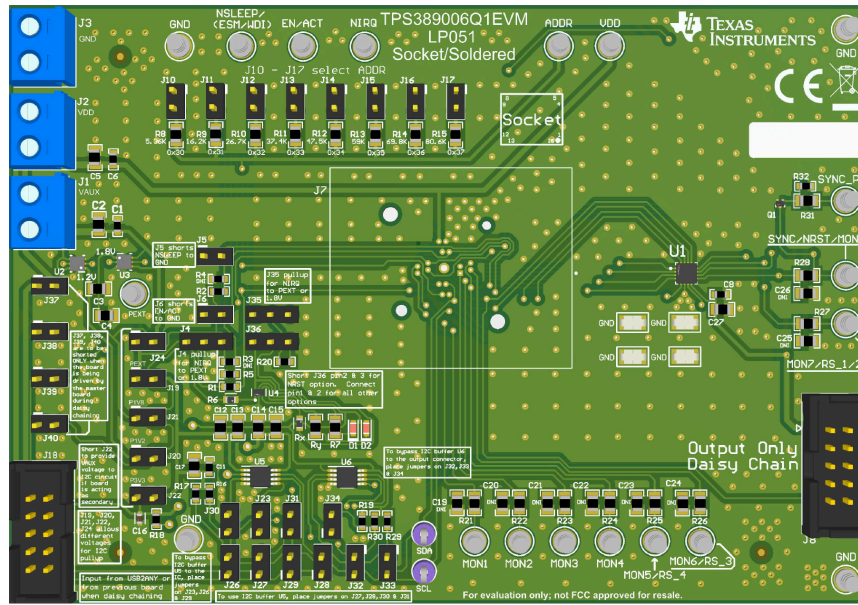


Figure 3-1. TPS389006Q1EVM Jumper Locations

4 EVM Setup and Operation

This section describes the functionality and operation of the TPS389006Q1EVM. Refer to the [TPS389006-Q1 Multichannel Overvoltage and Undervoltage I²C Programmable Voltage Supervisor and Monitor](#) data sheet for details on the electrical characteristics of the device.

The TPS389006Q1EVM comes with the TPS389006004RTERQ1 IC meaning the device is capable of monitoring up to six separate voltage rails. The EVM is capable of many different configurations to fully evaluate the functionality of all the TPS389006-Q1 device variants. The default jumper configuration of the TPS389006Q1EVM is mentioned in [Table 3-2](#).

The TPS389006Q1EVM comes with USB to GPIO connector, I²C bus repeaters, comparators, two LDOs, socket and solder down footprints, the ability to monitor up to eight (8) voltage rails, the option to daisy-chain up to three EVMs at a time via 10-pin connector, jumper selectable I²C address, I²C pullup voltage options, and TPS389006004RTERQ1 IC. The TPS389006Q1EVM also provides the ability for each monitored rail to be voltage divided down by resistor dividers on each of the monitored and input lines. The user must choose appropriately sized resistors such that the divided voltage is above, below or within the window of the voltage threshold depending on the type of input sensing topology is setup for each monitored input channel. Consult the Device Threshold Table in the [TPS389006-Q1 data sheet](#) to verify proper voltage monitored values.

The TPS389006Q1EVM is designed to be daisy-chain where the primary board is connected to the USB to GPIO connector (J18) and the output connector (J8) provides VDD, VAUX, SYNC, SCL, SDA, NIRQ, and GND to the (J18) connector of the secondary board through a 10-pin ribbon cable. When the daisy-chain option is being used, jumpers on the secondary board (J19-J22 and J37-J40) must be configured properly or else possible damage to the IC or EVM can occur. Jumper settings of J19, J20, and J21 must be left open whereas J22, J37, J38, J39, and J40 need to be shunted with jumpers for proper setup of the secondary board during daisy-chain setup. Also, the I²C rail voltage for the secondary board in the daisy-chain mode is defined as VI2CPULLUP = VAUX = 3.3V. See [Figure 2-2](#) for reference.

Equipment needed for TPS389006Q1EVM evaluation:

- TPS389006Q1EVM
- TI's [USB2GPIO](#) interface adapter (with ribbon cable)
- Power Supply (3.3V)
- Multimeters
- Multi-channel Oscilloscope (review evaluation waveforms)
- Jumper Wires/Cables

4.1 Setup and GUI Installations

4.1.1 TPS389006Q1EVM Hardware Setup

Follow the steps below for TPS389006Q1EVM hardware setup:

1. Connect VAUX (J1) and VDD (J2) to 3.3V from the power supply.
2. Connect GND (J3) to ground from the power supply.
3. Make sure the jumpers are connected as per the guidelines in the [Table 3-2](#).
4. Before allowing the output of the power supply to be engaged, check if the power supply voltage is set at 3.3V and the power supply output current is limited to 10mA.
5. Connect the TI's [USB2GPIO](#) USB interface adapter to J18 (USB2GPIO connector) using a 10-pin ribbon cable.
6. Connect the TI's [USB2GPIO](#) USB interface adapter to the USB port of the computer.
7. Connect any voltage supply rail that needs monitoring to any of the voltage monitoring inputs (MON1 - MON8).
8. The description of the TPS389006Q1EVM connections can be found in [Figure 4-1](#).

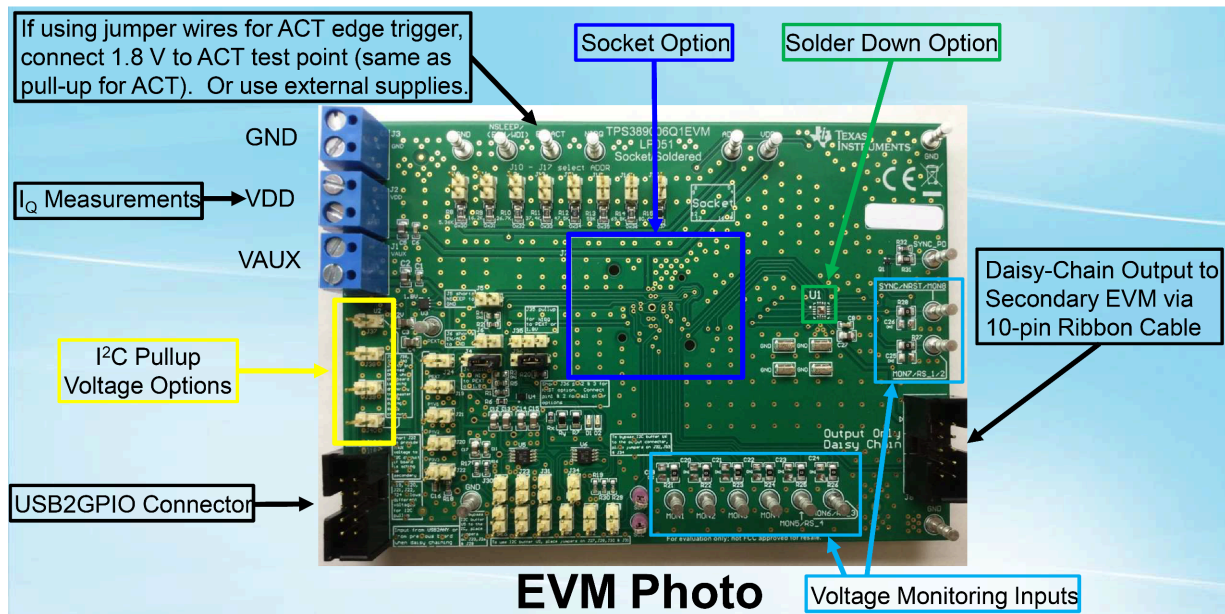


Figure 4-1. TPS389006Q1EVM Connection Description

4.1.2 TPS389006Q1EVM Software Setup

Follow the steps below for TPS389006Q1EVM GUI software installation:

1. Download the [Fusion Digital Power Designer](#) Platform GUI for TPS389006Q1EVM.
2. Open the downloaded file.
3. In the Welcome Wizard window, click *Next*.
4. Accept the license agreement and then click *Next*.

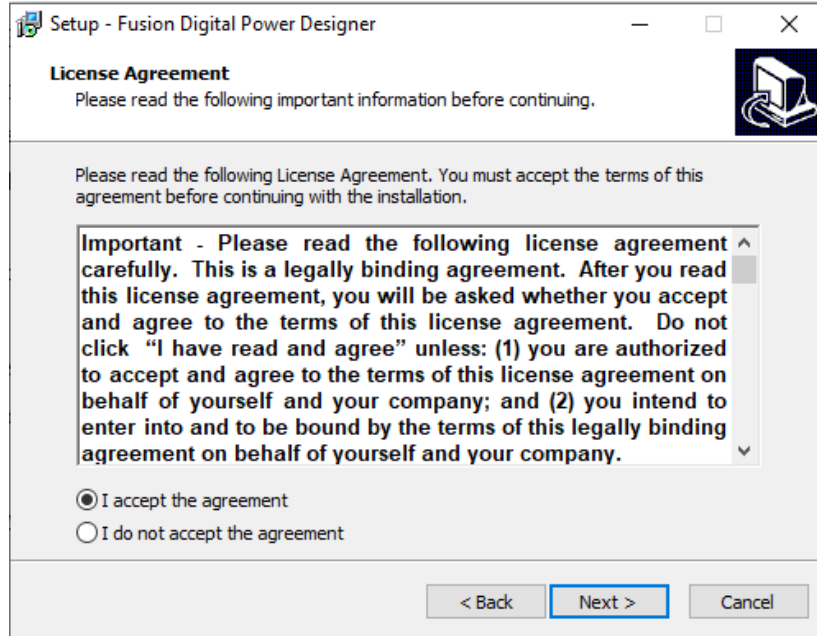


Figure 4-2. Setup License Agreement Window

5. The default destination folder works best. Click *Next*.

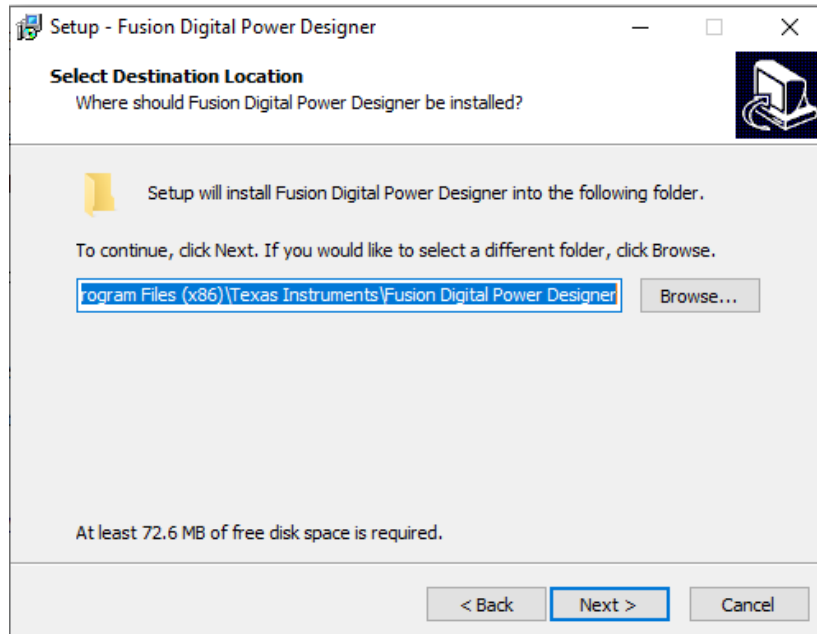


Figure 4-3. Setup Destination Window

6. Click *Next* for the Select Start Menu Folder option.

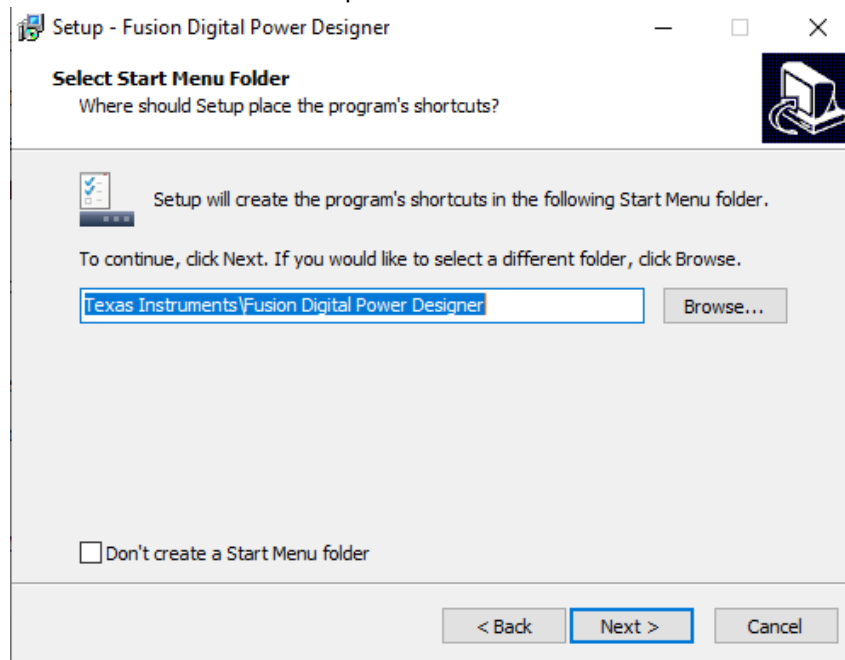


Figure 4-4. Setup Window - Start Menu Selection

7. There is no need to install additional options for this EVM. Click *Next*.

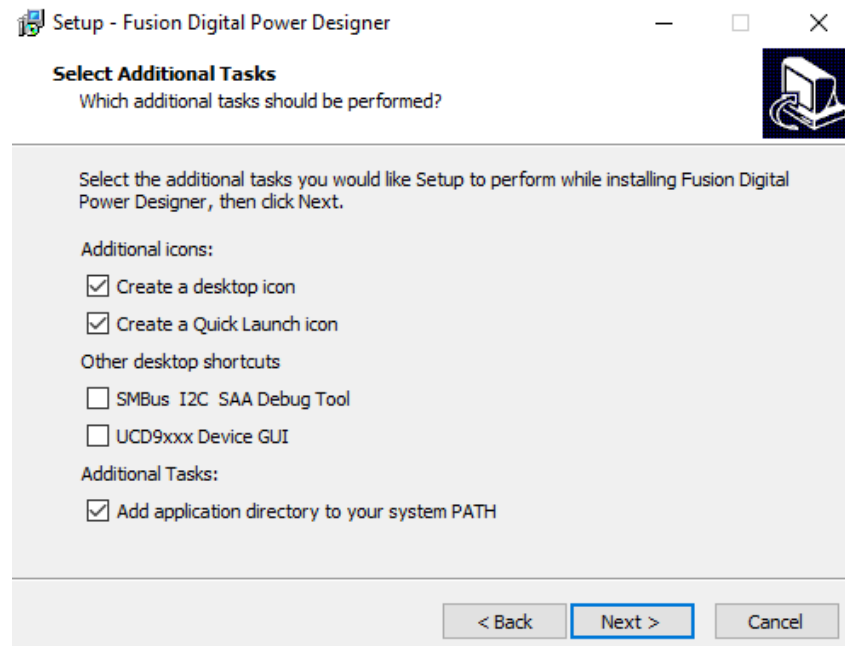


Figure 4-5. Setup Window - Additional Tasks

8. Finally click *Install* to install the Fusion software.

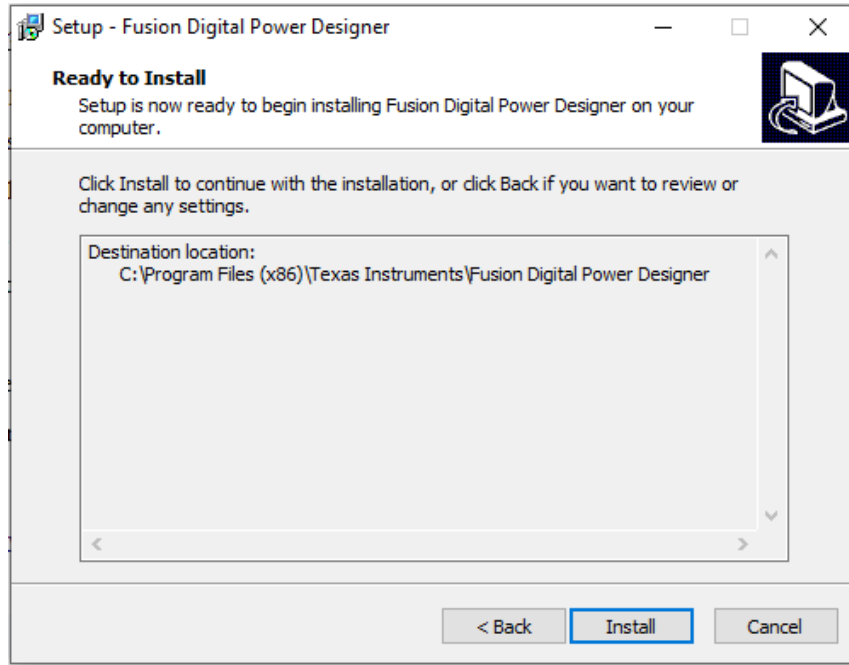


Figure 4-6. Setup Installation Window

9. Click on *Finish* to complete the installation setup and launch the software.

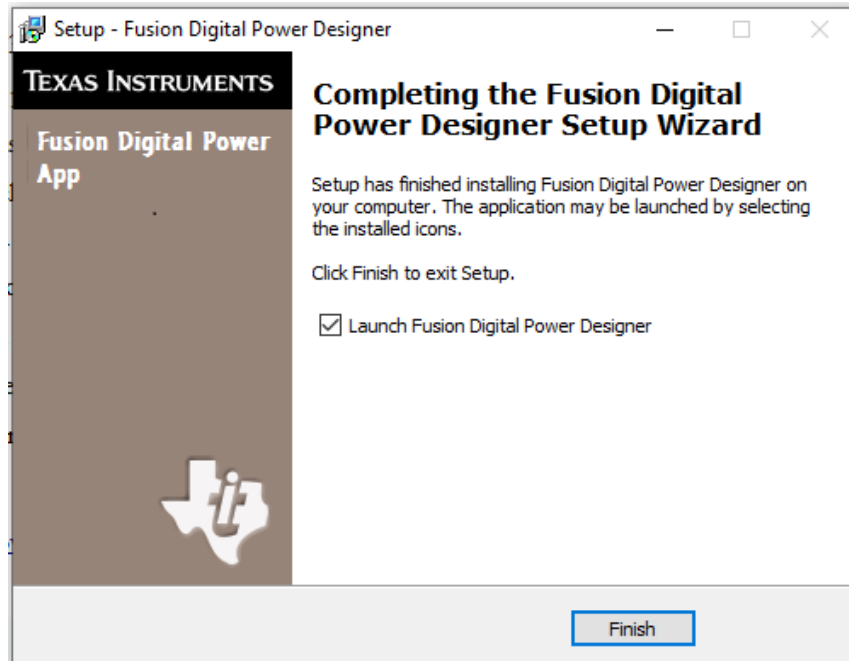


Figure 4-7. Installation Complete Window

4.2 Quick Start to TPS389006Q1EVM GUI

Please follow the steps below precisely to quickly evaluate the TPS389006-Q1. In this quick start, the TPS389006Q1EVM is set up to monitor several power supply rails after the ACT pin is triggered.

1. Make the hardware connections and software installation described in [Section 4.1](#) have been completed. Feel free to skip the GUI installation if the *Fusion Digital Power Designer* for TPS389006Q1EVM GUI has been installed already.
2. Power the EVM by turning on the power supply. Note that the voltage and current limits at the power supply is set at 3.3V and 10mA.
3. Once the TI's [USB2GPIO](#) USB interface adapter is connected to EVM and the laptop, launch the evaluation software *Fusion Digital Power Designer*.
4. Click on *I2C GUI* on the bottom right of GUI.

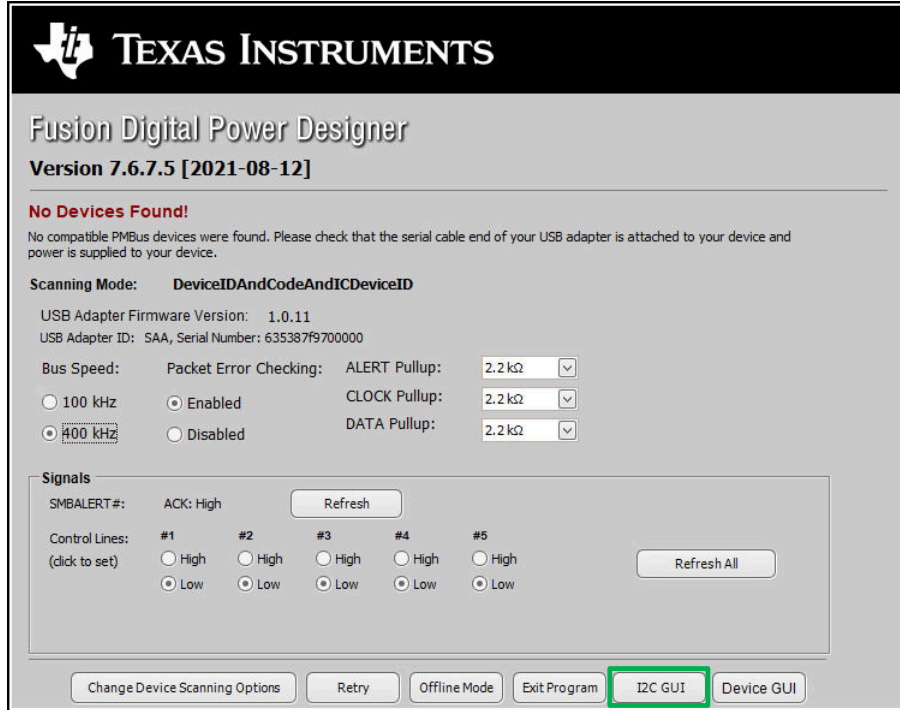


Figure 4-8. Fusion Welcome Window

5. Click on *Change Scan Mode* to select *TPS389xxx* and then click *OK*.

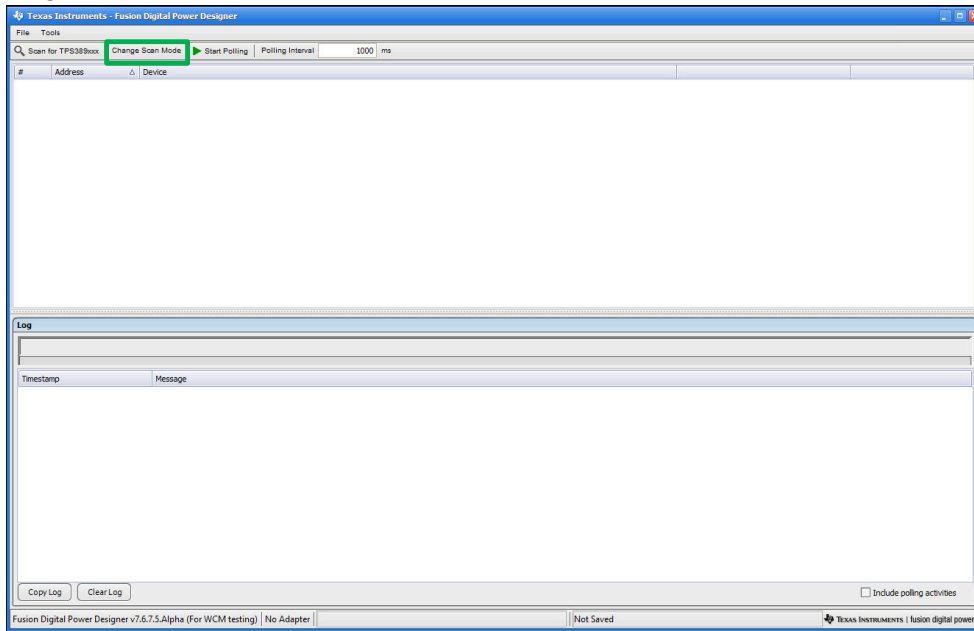


Figure 4-9. Fusion Scan Window

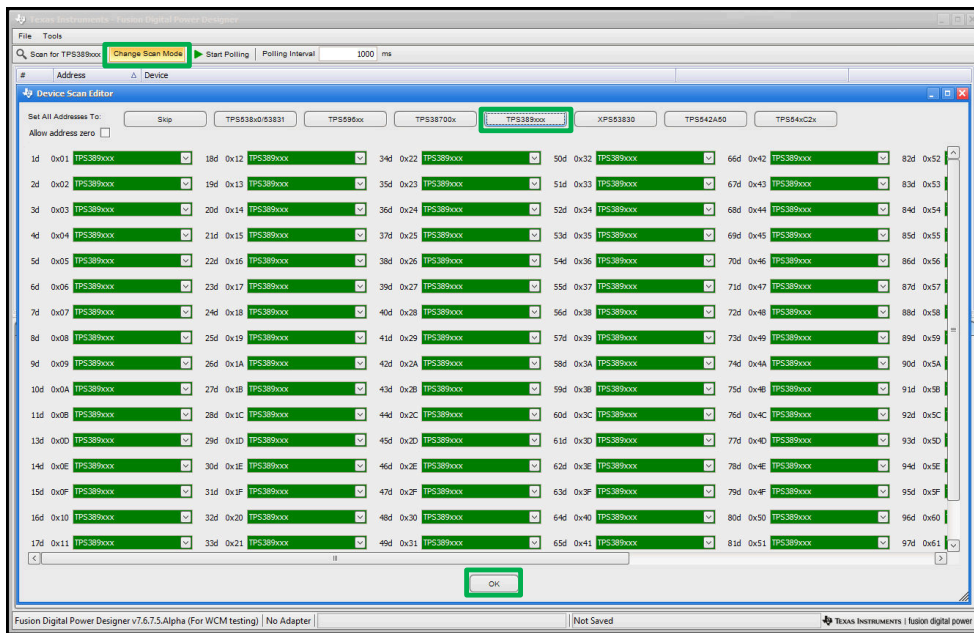


Figure 4-10. Fusion Scan Selection Window

- Scan for the TPS389006Q1EVM by clicking on *Scan for TPS389xxx* on top left of the window.

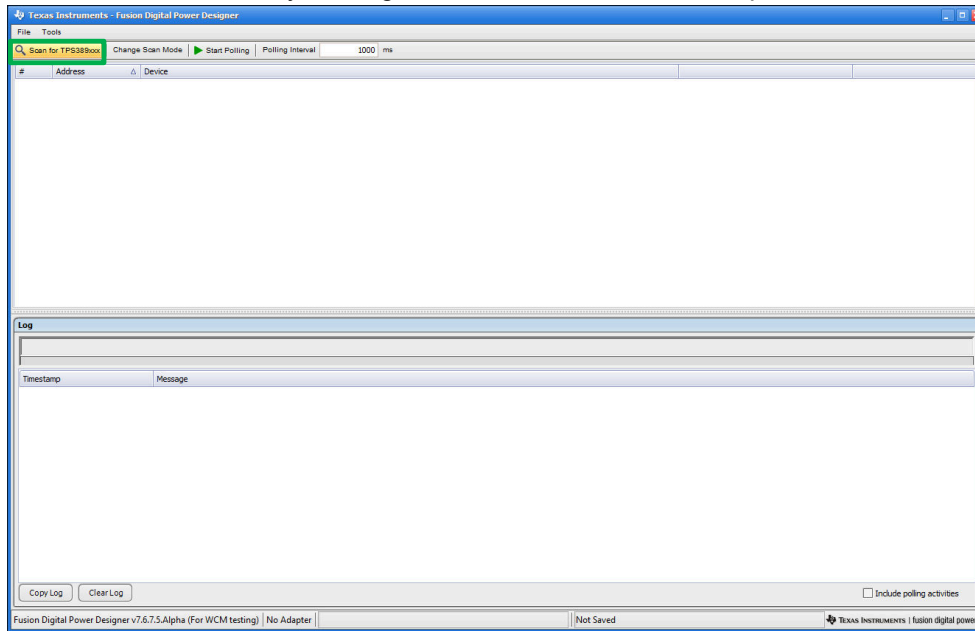


Figure 4-11. Fusion Scan Window - Scanning for TPS389006Q1EVM

- Once the EVM is discovered, select *Click to Configure*.

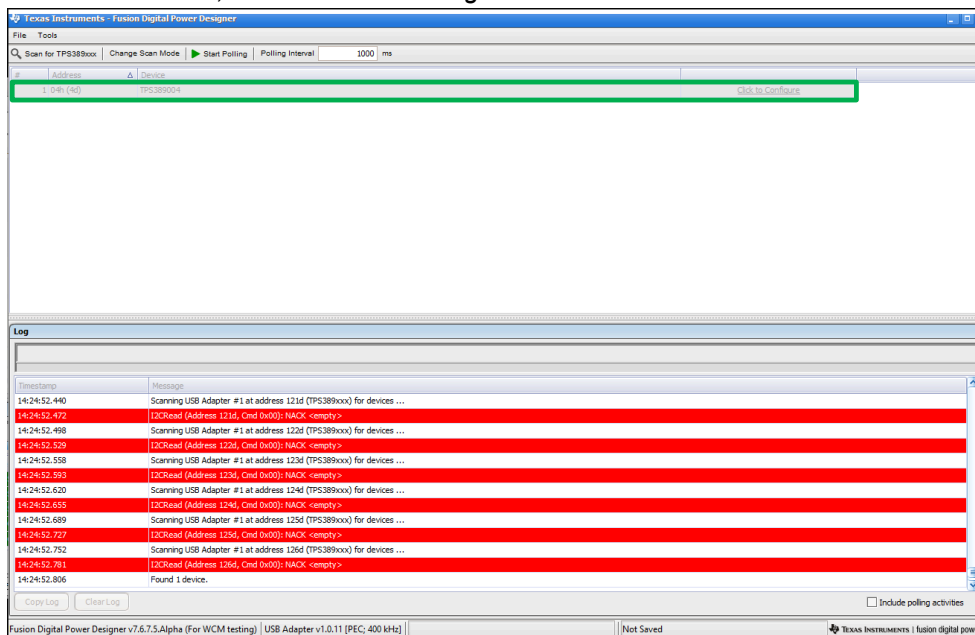


Figure 4-12. Fusion Scan Window - Scan for TPS389006Q1EVM Completed

- Once the *Click to Configure* box has been selected, the Fusion Digital Power Device GUI for the TPS389006-Q1 appears as shown below. The GUI image shows the *General Config*, *Sequencing*, *Clear/Reset*, *Telemetry*, and *Polling* (Plotting the monitored voltage rails) sub-windows.

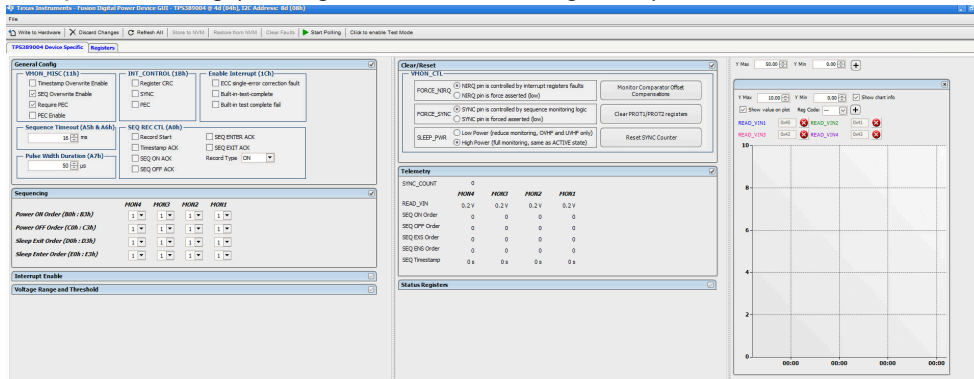


Figure 4-13. Fusion Digital Power Device GUI - TPS389006Q1EVM (Image #1)

- The GUI image below continues to show the additional sub-windows that are in the GUI for the TPS389006-Q1. The GUI image includes the *Interrupt Enable*, *Voltage Range and Threshold*, *Status Registers*, and *Polling* (plotting the monitored voltage rails) sub-windows.

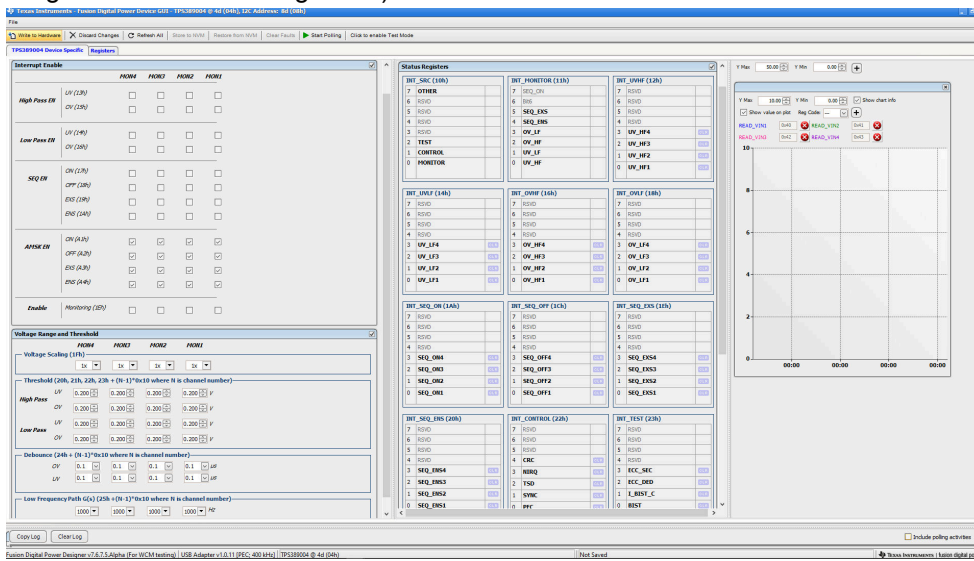


Figure 4-14. Fusion Digital Power Device GUI - TPS389006Q1EVM (Image #2)

10. The last GUI image below shows the last five registers in the *Status Registers* sub-window.

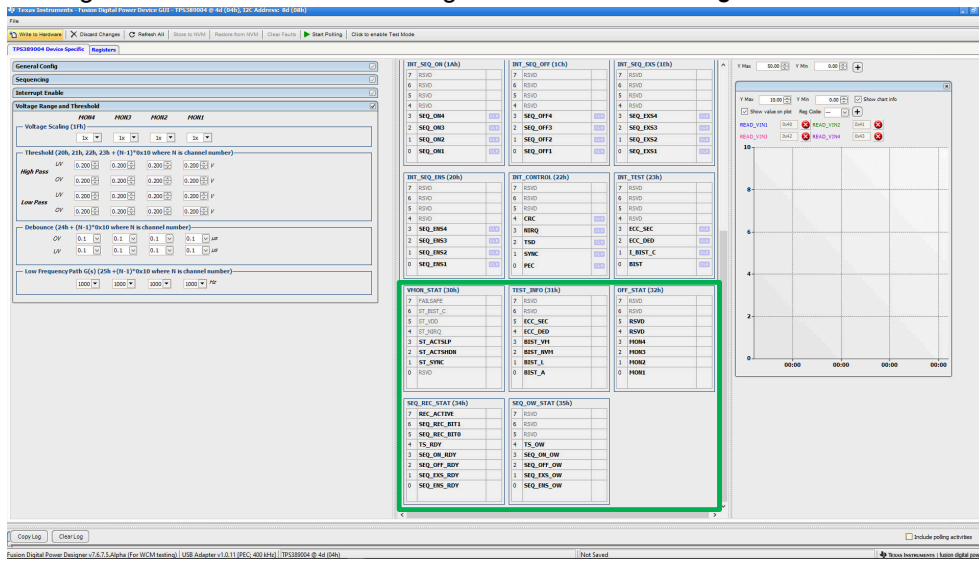


Figure 4-15. Fusion Digital Power Device GUI - TPS38900Q1EVM (Image #3)

4.3 Example Operation of TPS389xxx-Q1

The example below shows a TPS389004-Q1 monitoring four voltage supply rails on the TPS389006Q1EVM. Please follow the steps in [Section 4.1.1](#) and [Section 4.1.2](#) before evaluating the TPS389004-Q1. In this example, the TPS389006Q1EVM is set up to monitor several power supply rails after the ACT pin is asserted. Below, [Figure 4-16](#) shows how the TPS389006Q1EVM was setup to monitor four voltage supply rails.

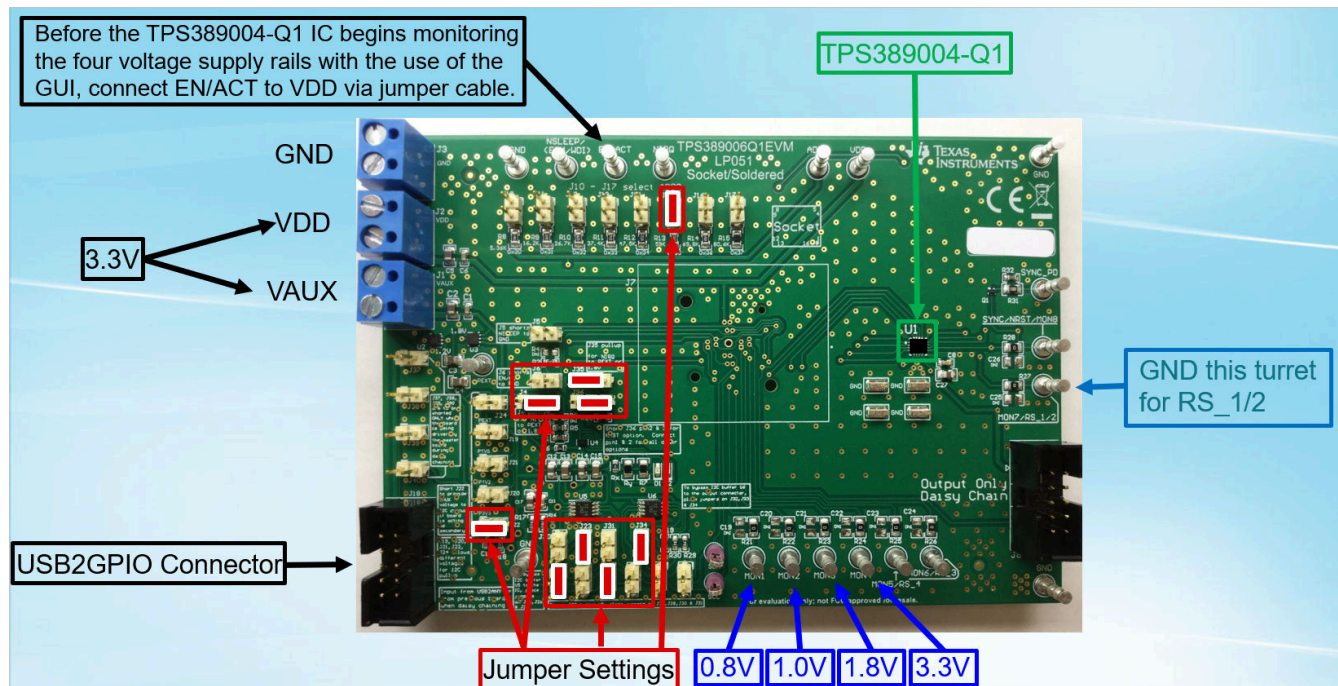


Figure 4-16. TPS389006Q1EVM Monitoring Four Voltage Supply Rails

1. Connect the TPS389006Q1EVM VDD and VAUX inputs to a 3.3V external power supply. Note that the voltage and current limits of the power supply must be set at 3.3V and 10mA.
2. Connect the TPS389006Q1EVM with TI's [USB2GPIO](#) USB Interface Adapter ribbon to J18 (USB2GPIO connector). Connect the USB plug from the USB Interface Adapter to the USB port of the computer. The TI USB Interface Adapter communicates to the TPS389004-Q1 IC via I²C protocols.
3. Verify that the jumper settings, highlighted in red in [Figure 4-16](#), are set on the TPS389006Q1EVM.
4. Ground turret (*MON7/RS_1/2*).
5. Apply 0.8V to MON1, 1.0V to MON2, 1.8V to MON3, 3.3V to MON4 to the turrets of TPS389006Q1EVM.
6. Final Connections must look similar to [Figure 4-16](#).
7. Open up the Fusion Digital Power Designer GUI on the computer and follow [Section 4.2](#).
8. Once the EVM is discovered and *Click to Configure* has been selected, the GUI is similar to [Figure 4-13](#), [Figure 4-14](#), [Figure 4-15](#).
9. Scroll to the bottom of the *Interrupt Enable* sub-window and enable all four monitoring inputs by clicking the empty boxes. The GUI image, [Figure 4-17](#) below, shows all the monitoring inputs being selected in the highlighted *black-box*.
10. In the *Voltage Range and Threshold* sub-window, enter the undervoltage (UV) and overvoltage (OV) threshold values for the monitoring inputs. One thing to note, any monitoring inputs that are higher than 1.5V needs to select *4x* in the *Voltage Scaling (1Fh)* field. The GUI image below, highlighted by a *yellow-box*, shows is described above.
11. Once steps 9 and 10 are completed, press *Write to Hardware* and the USB Interface Adapter communicates to the TPS389004-Q1 IC. Next, press *Start Polling* and both the Telemetry (shown in the highlighted orange-box) and the graphical waveform of the monitored inputs (shown in the highlighted red-box) is shown in the GUI.
12. If one of the monitored inputs senses a fault, then an interrupt indicator is displayed (illumination of a red LED) on the TPS389006Q1EVM. Also, one of the bit registers found in the *Status Registers* sub-window, highlighted in the green-box, also shows a fault in red color.

13. To clear the fault interrupt, press *Stop Polling*, go to the *Status Registers* sub-window, locate the red color fault interrupt and click on *CLR*. Then click on *Write to Hardware*. This procedure clears the fault interrupt and allows the device to continue to monitor the input channels.
14. Steps 8 through 13 refers to [Figure 4-17](#) below.

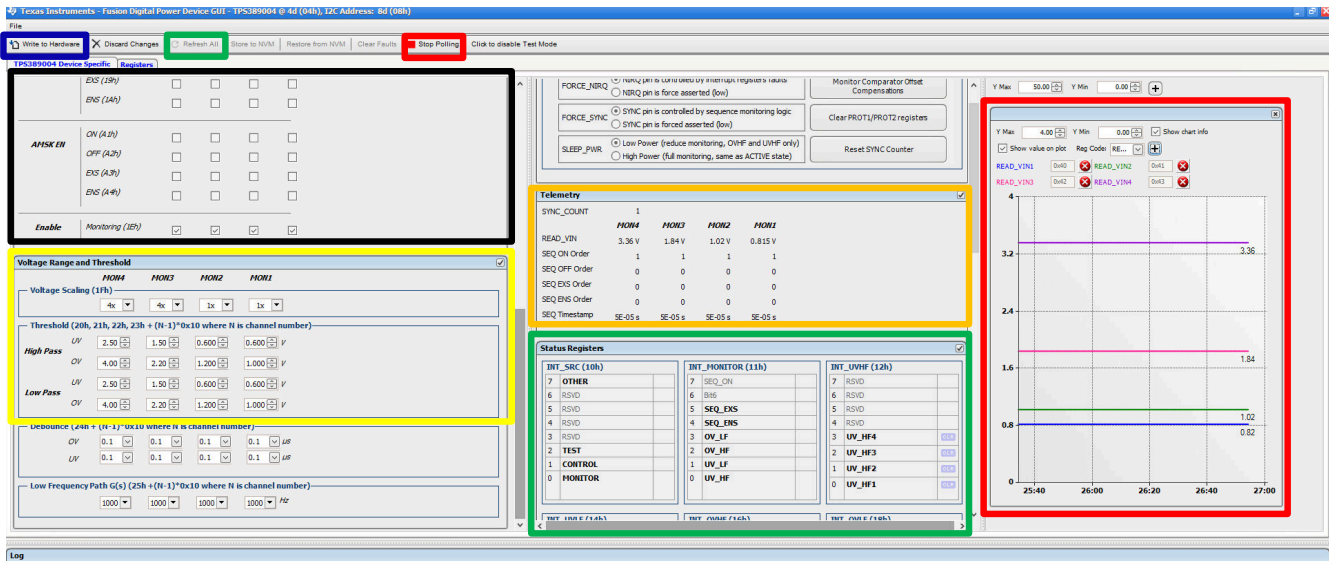


Figure 4-17. TPS389006Q1EVM GUI Setup for Monitoring Four Voltage Supply Rails

5 Revision History

NOTE: Page numbers for previous revisions may differ from page numbers in the current version.

Changes from Revision B (July 2023) to Revision C (August 2024)

Page

- Added TPS389R0x-Q1 variant throughout document..... [3](#)
- Updated SYNC/NRST/MON8 behavior when using TPS389R0x-Q1..... [12](#)
- Updated J36 configuration when using TPS389R0x-Q1..... [13](#)

Changes from Revision A (May 2023) to Revision B (August 2023)	Page
• Changed the OPN to TPS389006004RTERQ1 from TPS389006Q1 in Section 1	3
• Added statement clarifying the availability of socket J7 in Section 1	3
• Added table note to clarify availability of J7.....	7
• Changed the OPN to TPS389006004RTERQ1 from TPS389006Q1 in Section 4	15

Changes from Revision * (February 2022) to Revision A (May 2023)	Page
• Changed the OPN to TPS389006004RTERQ1 from TPS389006Q1 in <i>TPS389006Q1EVM Main Schematic</i>	5
• Changed the OPN to TPS389006004RTERQ1 from TPS389006Q1 in <i>Bill of Materials</i> table.....	7

STANDARD TERMS FOR EVALUATION MODULES

1. *Delivery:* TI delivers TI evaluation boards, kits, or modules, including any accompanying demonstration software, components, and/or documentation which may be provided together or separately (collectively, an "EVM" or "EVMs") to the User ("User") in accordance with the terms set forth herein. User's acceptance of the EVM is expressly subject to the following terms.
 - 1.1 EVMs are intended solely for product or software developers for use in a research and development setting to facilitate feasibility evaluation, experimentation, or scientific analysis of TI semiconductor products. EVMs have no direct function and are not finished products. EVMs shall not be directly or indirectly assembled as a part or subassembly in any finished product. For clarification, any software or software tools provided with the EVM ("Software") shall not be subject to the terms and conditions set forth herein but rather shall be subject to the applicable terms that accompany such Software
 - 1.2 EVMs are not intended for consumer or household use. EVMs may not be sold, sublicensed, leased, rented, loaned, assigned, or otherwise distributed for commercial purposes by Users, in whole or in part, or used in any finished product or production system.
2. *Limited Warranty and Related Remedies/Disclaimers:*
 - 2.1 These terms do not apply to Software. The warranty, if any, for Software is covered in the applicable Software License Agreement.
 - 2.2 TI warrants that the TI EVM will conform to TI's published specifications for ninety (90) days after the date TI delivers such EVM to User. Notwithstanding the foregoing, TI shall not be liable for a nonconforming EVM if (a) the nonconformity was caused by neglect, misuse or mistreatment by an entity other than TI, including improper installation or testing, or for any EVMs that have been altered or modified in any way by an entity other than TI, (b) the nonconformity resulted from User's design, specifications or instructions for such EVMs or improper system design, or (c) User has not paid on time. Testing and other quality control techniques are used to the extent TI deems necessary. TI does not test all parameters of each EVM. User's claims against TI under this Section 2 are void if User fails to notify TI of any apparent defects in the EVMs within ten (10) business days after delivery, or of any hidden defects with ten (10) business days after the defect has been detected.
 - 2.3 TI's sole liability shall be at its option to repair or replace EVMs that fail to conform to the warranty set forth above, or credit User's account for such EVM. TI's liability under this warranty shall be limited to EVMs that are returned during the warranty period to the address designated by TI and that are determined by TI not to conform to such warranty. If TI elects to repair or replace such EVM, TI shall have a reasonable time to repair such EVM or provide replacements. Repaired EVMs shall be warranted for the remainder of the original warranty period. Replaced EVMs shall be warranted for a new full ninety (90) day warranty period.

WARNING

Evaluation Kits are intended solely for use by technically qualified, professional electronics experts who are familiar with the dangers and application risks associated with handling electrical mechanical components, systems, and subsystems.

User shall operate the Evaluation Kit within TI's recommended guidelines and any applicable legal or environmental requirements as well as reasonable and customary safeguards. Failure to set up and/or operate the Evaluation Kit within TI's recommended guidelines may result in personal injury or death or property damage. Proper set up entails following TI's instructions for electrical ratings of interface circuits such as input, output and electrical loads.

NOTE:

EXPOSURE TO ELECTROSTATIC DISCHARGE (ESD) MAY CAUSE DEGRADATION OR FAILURE OF THE EVALUATION KIT; TI RECOMMENDS STORAGE OF THE EVALUATION KIT IN A PROTECTIVE ESD BAG.

3 Regulatory Notices:

3.1 United States

3.1.1 Notice applicable to EVMs not FCC-Approved:

FCC NOTICE: This kit is designed to allow product developers to evaluate electronic components, circuitry, or software associated with the kit to determine whether to incorporate such items in a finished product and software developers to write software applications for use with the end product. This kit is not a finished product and when assembled may not be resold or otherwise marketed unless all required FCC equipment authorizations are first obtained. Operation is subject to the condition that this product not cause harmful interference to licensed radio stations and that this product accept harmful interference. Unless the assembled kit is designed to operate under part 15, part 18 or part 95 of this chapter, the operator of the kit must operate under the authority of an FCC license holder or must secure an experimental authorization under part 5 of this chapter.

3.1.2 For EVMs annotated as FCC – FEDERAL COMMUNICATIONS COMMISSION Part 15 Compliant:

CAUTION

This device complies with part 15 of the FCC Rules. Operation is subject to the following two conditions: (1) This device may not cause harmful interference, and (2) this device must accept any interference received, including interference that may cause undesired operation.

Changes or modifications not expressly approved by the party responsible for compliance could void the user's authority to operate the equipment.

FCC Interference Statement for Class A EVM devices

NOTE: This equipment has been tested and found to comply with the limits for a Class A digital device, pursuant to part 15 of the FCC Rules. These limits are designed to provide reasonable protection against harmful interference when the equipment is operated in a commercial environment. This equipment generates, uses, and can radiate radio frequency energy and, if not installed and used in accordance with the instruction manual, may cause harmful interference to radio communications. Operation of this equipment in a residential area is likely to cause harmful interference in which case the user will be required to correct the interference at his own expense.

FCC Interference Statement for Class B EVM devices

NOTE: This equipment has been tested and found to comply with the limits for a Class B digital device, pursuant to part 15 of the FCC Rules. These limits are designed to provide reasonable protection against harmful interference in a residential installation. This equipment generates, uses and can radiate radio frequency energy and, if not installed and used in accordance with the instructions, may cause harmful interference to radio communications. However, there is no guarantee that interference will not occur in a particular installation. If this equipment does cause harmful interference to radio or television reception, which can be determined by turning the equipment off and on, the user is encouraged to try to correct the interference by one or more of the following measures:

- Reorient or relocate the receiving antenna.
- Increase the separation between the equipment and receiver.
- Connect the equipment into an outlet on a circuit different from that to which the receiver is connected.
- Consult the dealer or an experienced radio/TV technician for help.

3.2 Canada

3.2.1 For EVMs issued with an Industry Canada Certificate of Conformance to RSS-210 or RSS-247

Concerning EVMs Including Radio Transmitters:

This device complies with Industry Canada license-exempt RSSs. Operation is subject to the following two conditions:

(1) this device may not cause interference, and (2) this device must accept any interference, including interference that may cause undesired operation of the device.

Concernant les EVMs avec appareils radio:

Le présent appareil est conforme aux CNR d'Industrie Canada applicables aux appareils radio exempts de licence. L'exploitation est autorisée aux deux conditions suivantes: (1) l'appareil ne doit pas produire de brouillage, et (2) l'utilisateur de l'appareil doit accepter tout brouillage radioélectrique subi, même si le brouillage est susceptible d'en compromettre le fonctionnement.

Concerning EVMs Including Detachable Antennas:

Under Industry Canada regulations, this radio transmitter may only operate using an antenna of a type and maximum (or lesser) gain approved for the transmitter by Industry Canada. To reduce potential radio interference to other users, the antenna type and its gain should be so chosen that the equivalent isotropically radiated power (e.i.r.p.) is not more than that necessary for successful communication. This radio transmitter has been approved by Industry Canada to operate with the antenna types listed in the user guide with the maximum permissible gain and required antenna impedance for each antenna type indicated. Antenna types not included in this list, having a gain greater than the maximum gain indicated for that type, are strictly prohibited for use with this device.

Concernant les EVMs avec antennes détachables

Conformément à la réglementation d'Industrie Canada, le présent émetteur radio peut fonctionner avec une antenne d'un type et d'un gain maximal (ou inférieur) approuvé pour l'émetteur par Industrie Canada. Dans le but de réduire les risques de brouillage radioélectrique à l'intention des autres utilisateurs, il faut choisir le type d'antenne et son gain de sorte que la puissance isotrope rayonnée équivalente (p.i.r.e.) ne dépasse pas l'intensité nécessaire à l'établissement d'une communication satisfaisante. Le présent émetteur radio a été approuvé par Industrie Canada pour fonctionner avec les types d'antenne énumérés dans le manuel d'usage et ayant un gain admissible maximal et l'impédance requise pour chaque type d'antenne. Les types d'antenne non inclus dans cette liste, ou dont le gain est supérieur au gain maximal indiqué, sont strictement interdits pour l'exploitation de l'émetteur.

3.3 Japan

3.3.1 *Notice for EVMs delivered in Japan:* Please see http://www.tij.co.jp/llds/ti_ja/general/eStore/notice_01.page 日本国内に輸入される評価用キット、ボードについては、次のところをご覧ください。

<https://www.ti.com/ja-jp/legal/notice-for-evaluation-kits-delivered-in-japan.html>

3.3.2 *Notice for Users of EVMs Considered "Radio Frequency Products" in Japan:* EVMs entering Japan may not be certified by TI as conforming to Technical Regulations of Radio Law of Japan.

If User uses EVMs in Japan, not certified to Technical Regulations of Radio Law of Japan, User is required to follow the instructions set forth by Radio Law of Japan, which includes, but is not limited to, the instructions below with respect to EVMs (which for the avoidance of doubt are stated strictly for convenience and should be verified by User):

1. Use EVMs in a shielded room or any other test facility as defined in the notification #173 issued by Ministry of Internal Affairs and Communications on March 28, 2006, based on Sub-section 1.1 of Article 6 of the Ministry's Rule for Enforcement of Radio Law of Japan,
2. Use EVMs only after User obtains the license of Test Radio Station as provided in Radio Law of Japan with respect to EVMs, or
3. Use of EVMs only after User obtains the Technical Regulations Conformity Certification as provided in Radio Law of Japan with respect to EVMs. Also, do not transfer EVMs, unless User gives the same notice above to the transferee. Please note that if User does not follow the instructions above, User will be subject to penalties of Radio Law of Japan.

【無線電波を送信する製品の開発キットをお使いになる際の注意事項】 開発キットの中には技術基準適合証明を受けていないものがあります。技術適合証明を受けていないものご使用に際しては、電波法遵守のため、以下のいずれかの措置を取っていただく必要がありますのでご注意ください。

1. 電波法施行規則第6条第1項第1号に基づく平成18年3月28日総務省告示第173号で定められた電波暗室等の試験設備でご使用いただく。
2. 実験局の免許を取得後ご使用いただく。
3. 技術基準適合証明を取得後ご使用いただく。

なお、本製品は、上記の「ご使用にあたっての注意」を譲渡先、移転先に通知しない限り、譲渡、移転できないものとします。

上記を遵守頂けない場合は、電波法の罰則が適用される可能性があることをご留意ください。日本テキサス・イ

ンスツルメンツ株式会社

東京都新宿区西新宿 6 丁目 2 4 番 1 号

西新宿三井ビル

3.3.3 *Notice for EVMs for Power Line Communication:* Please see http://www.tij.co.jp/llds/ti_ja/general/eStore/notice_02.page

電力線搬送波通信についての開発キットをお使いになる際の注意事項については、次のところをご覧ください。 <https://www.ti.com/ja-jp/legal/notice-for-evaluation-kits-for-power-line-communication.html>

3.4 European Union

3.4.1 *For EVMs subject to EU Directive 2014/30/EU (Electromagnetic Compatibility Directive):*

This is a class A product intended for use in environments other than domestic environments that are connected to a low-voltage power-supply network that supplies buildings used for domestic purposes. In a domestic environment this product may cause radio interference in which case the user may be required to take adequate measures.

-
- 4 *EVM Use Restrictions and Warnings:*
 - 4.1 EVMS ARE NOT FOR USE IN FUNCTIONAL SAFETY AND/OR SAFETY CRITICAL EVALUATIONS, INCLUDING BUT NOT LIMITED TO EVALUATIONS OF LIFE SUPPORT APPLICATIONS.
 - 4.2 User must read and apply the user guide and other available documentation provided by TI regarding the EVM prior to handling or using the EVM, including without limitation any warning or restriction notices. The notices contain important safety information related to, for example, temperatures and voltages.
 - 4.3 *Safety-Related Warnings and Restrictions:*
 - 4.3.1 User shall operate the EVM within TI's recommended specifications and environmental considerations stated in the user guide, other available documentation provided by TI, and any other applicable requirements and employ reasonable and customary safeguards. Exceeding the specified performance ratings and specifications (including but not limited to input and output voltage, current, power, and environmental ranges) for the EVM may cause personal injury or death, or property damage. If there are questions concerning performance ratings and specifications, User should contact a TI field representative prior to connecting interface electronics including input power and intended loads. Any loads applied outside of the specified output range may also result in unintended and/or inaccurate operation and/or possible permanent damage to the EVM and/or interface electronics. Please consult the EVM user guide prior to connecting any load to the EVM output. If there is uncertainty as to the load specification, please contact a TI field representative. During normal operation, even with the inputs and outputs kept within the specified allowable ranges, some circuit components may have elevated case temperatures. These components include but are not limited to linear regulators, switching transistors, pass transistors, current sense resistors, and heat sinks, which can be identified using the information in the associated documentation. When working with the EVM, please be aware that the EVM may become very warm.
 - 4.3.2 EVMs are intended solely for use by technically qualified, professional electronics experts who are familiar with the dangers and application risks associated with handling electrical mechanical components, systems, and subsystems. User assumes all responsibility and liability for proper and safe handling and use of the EVM by User or its employees, affiliates, contractors or designees. User assumes all responsibility and liability to ensure that any interfaces (electronic and/or mechanical) between the EVM and any human body are designed with suitable isolation and means to safely limit accessible leakage currents to minimize the risk of electrical shock hazard. User assumes all responsibility and liability for any improper or unsafe handling or use of the EVM by User or its employees, affiliates, contractors or designees.
 - 4.4 User assumes all responsibility and liability to determine whether the EVM is subject to any applicable international, federal, state, or local laws and regulations related to User's handling and use of the EVM and, if applicable, User assumes all responsibility and liability for compliance in all respects with such laws and regulations. User assumes all responsibility and liability for proper disposal and recycling of the EVM consistent with all applicable international, federal, state, and local requirements.
 5. *Accuracy of Information:* To the extent TI provides information on the availability and function of EVMs, TI attempts to be as accurate as possible. However, TI does not warrant the accuracy of EVM descriptions, EVM availability or other information on its websites as accurate, complete, reliable, current, or error-free.
 6. *Disclaimers:*
 - 6.1 EXCEPT AS SET FORTH ABOVE, EVMS AND ANY MATERIALS PROVIDED WITH THE EVM (INCLUDING, BUT NOT LIMITED TO, REFERENCE DESIGNS AND THE DESIGN OF THE EVM ITSELF) ARE PROVIDED "AS IS" AND "WITH ALL FAULTS." TI DISCLAIMS ALL OTHER WARRANTIES, EXPRESS OR IMPLIED, REGARDING SUCH ITEMS, INCLUDING BUT NOT LIMITED TO ANY EPIDEMIC FAILURE WARRANTY OR IMPLIED WARRANTIES OF MERCHANTABILITY OR FITNESS FOR A PARTICULAR PURPOSE OR NON-INFRINGEMENT OF ANY THIRD PARTY PATENTS, COPYRIGHTS, TRADE SECRETS OR OTHER INTELLECTUAL PROPERTY RIGHTS.
 - 6.2 EXCEPT FOR THE LIMITED RIGHT TO USE THE EVM SET FORTH HEREIN, NOTHING IN THESE TERMS SHALL BE CONSTRUED AS GRANTING OR CONFERRING ANY RIGHTS BY LICENSE, PATENT, OR ANY OTHER INDUSTRIAL OR INTELLECTUAL PROPERTY RIGHT OF TI, ITS SUPPLIERS/LICENSORS OR ANY OTHER THIRD PARTY, TO USE THE EVM IN ANY FINISHED END-USER OR READY-TO-USE FINAL PRODUCT, OR FOR ANY INVENTION, DISCOVERY OR IMPROVEMENT, REGARDLESS OF WHEN MADE, CONCEIVED OR ACQUIRED.
 7. *USER'S INDEMNITY OBLIGATIONS AND REPRESENTATIONS.* USER WILL DEFEND, INDEMNIFY AND HOLD TI, ITS LICENSORS AND THEIR REPRESENTATIVES HARMLESS FROM AND AGAINST ANY AND ALL CLAIMS, DAMAGES, LOSSES, EXPENSES, COSTS AND LIABILITIES (COLLECTIVELY, "CLAIMS") ARISING OUT OF OR IN CONNECTION WITH ANY HANDLING OR USE OF THE EVM THAT IS NOT IN ACCORDANCE WITH THESE TERMS. THIS OBLIGATION SHALL APPLY WHETHER CLAIMS ARISE UNDER STATUTE, REGULATION, OR THE LAW OF TORT, CONTRACT OR ANY OTHER LEGAL THEORY, AND EVEN IF THE EVM FAILS TO PERFORM AS DESCRIBED OR EXPECTED.

8. *Limitations on Damages and Liability:*

8.1 *General Limitations.* IN NO EVENT SHALL TI BE LIABLE FOR ANY SPECIAL, COLLATERAL, INDIRECT, PUNITIVE, INCIDENTAL, CONSEQUENTIAL, OR EXEMPLARY DAMAGES IN CONNECTION WITH OR ARISING OUT OF THESE TERMS OR THE USE OF THE EVMS , REGARDLESS OF WHETHER TI HAS BEEN ADVISED OF THE POSSIBILITY OF SUCH DAMAGES. EXCLUDED DAMAGES INCLUDE, BUT ARE NOT LIMITED TO, COST OF REMOVAL OR REINSTALLATION, ANCILLARY COSTS TO THE PROCUREMENT OF SUBSTITUTE GOODS OR SERVICES, RETESTING, OUTSIDE COMPUTER TIME, LABOR COSTS, LOSS OF GOODWILL, LOSS OF PROFITS, LOSS OF SAVINGS, LOSS OF USE, LOSS OF DATA, OR BUSINESS INTERRUPTION. NO CLAIM, SUIT OR ACTION SHALL BE BROUGHT AGAINST TI MORE THAN TWELVE (12) MONTHS AFTER THE EVENT THAT GAVE RISE TO THE CAUSE OF ACTION HAS OCCURRED.

8.2 *Specific Limitations.* IN NO EVENT SHALL TI'S AGGREGATE LIABILITY FROM ANY USE OF AN EVM PROVIDED HEREUNDER, INCLUDING FROM ANY WARRANTY, INDEMNITY OR OTHER OBLIGATION ARISING OUT OF OR IN CONNECTION WITH THESE TERMS, , EXCEED THE TOTAL AMOUNT PAID TO TI BY USER FOR THE PARTICULAR EVM(S) AT ISSUE DURING THE PRIOR TWELVE (12) MONTHS WITH RESPECT TO WHICH LOSSES OR DAMAGES ARE CLAIMED. THE EXISTENCE OF MORE THAN ONE CLAIM SHALL NOT ENLARGE OR EXTEND THIS LIMIT.

9. *Return Policy.* Except as otherwise provided, TI does not offer any refunds, returns, or exchanges. Furthermore, no return of EVM(s) will be accepted if the package has been opened and no return of the EVM(s) will be accepted if they are damaged or otherwise not in a resalable condition. If User feels it has been incorrectly charged for the EVM(s) it ordered or that delivery violates the applicable order, User should contact TI. All refunds will be made in full within thirty (30) working days from the return of the components(s), excluding any postage or packaging costs.

10. *Governing Law:* These terms and conditions shall be governed by and interpreted in accordance with the laws of the State of Texas, without reference to conflict-of-laws principles. User agrees that non-exclusive jurisdiction for any dispute arising out of or relating to these terms and conditions lies within courts located in the State of Texas and consents to venue in Dallas County, Texas. Notwithstanding the foregoing, any judgment may be enforced in any United States or foreign court, and TI may seek injunctive relief in any United States or foreign court.

Mailing Address: Texas Instruments, Post Office Box 655303, Dallas, Texas 75265
Copyright © 2023, Texas Instruments Incorporated

IMPORTANT NOTICE AND DISCLAIMER

TI PROVIDES TECHNICAL AND RELIABILITY DATA (INCLUDING DATA SHEETS), DESIGN RESOURCES (INCLUDING REFERENCE DESIGNS), APPLICATION OR OTHER DESIGN ADVICE, WEB TOOLS, SAFETY INFORMATION, AND OTHER RESOURCES "AS IS" AND WITH ALL FAULTS, AND DISCLAIMS ALL WARRANTIES, EXPRESS AND IMPLIED, INCLUDING WITHOUT LIMITATION ANY IMPLIED WARRANTIES OF MERCHANTABILITY, FITNESS FOR A PARTICULAR PURPOSE OR NON-INFRINGEMENT OF THIRD PARTY INTELLECTUAL PROPERTY RIGHTS.

These resources are intended for skilled developers designing with TI products. You are solely responsible for (1) selecting the appropriate TI products for your application, (2) designing, validating and testing your application, and (3) ensuring your application meets applicable standards, and any other safety, security, regulatory or other requirements.

These resources are subject to change without notice. TI grants you permission to use these resources only for development of an application that uses the TI products described in the resource. Other reproduction and display of these resources is prohibited. No license is granted to any other TI intellectual property right or to any third party intellectual property right. TI disclaims responsibility for, and you will fully indemnify TI and its representatives against, any claims, damages, costs, losses, and liabilities arising out of your use of these resources.

TI's products are provided subject to [TI's Terms of Sale](#) or other applicable terms available either on [ti.com](https://www.ti.com) or provided in conjunction with such TI products. TI's provision of these resources does not expand or otherwise alter TI's applicable warranties or warranty disclaimers for TI products.

TI objects to and rejects any additional or different terms you may have proposed.

Mailing Address: Texas Instruments, Post Office Box 655303, Dallas, Texas 75265
Copyright © 2024, Texas Instruments Incorporated