

When and How to Supply an External Bias for Buck Controllers – Part 1



Mathew Jacob

In multi-rail systems system designers often have to make the choice of where to tap into for the input rail for the buck controllers. Often it is from 12V or 24V rails, however in some cases it's from 5V or 3.3V rails. I will be discussing the need to supplying external bias and its benefits in the first part of this 3 part series.

Well, it comes down to the metal-oxide semiconductor field-effect transistor (MOSFET) curves and operating the MOSFETs in their sweet spots. It also depends on the input voltage. Most controllers are designed for use in a 5V or 12V rail, yet in many cases system designers use the same controllers in lower voltage rails.

If you look at the data sheets of those controllers, the V_{IN} range checks out OK, but are you really getting the best performance or highest efficiency possible when operating at 3.3V?

Let's use TI's LM27403 as an example. [Figure 1](#) shows the applicable info from the data sheet.

		MIN	NOM	MAX	UNIT
VIN	Input voltage ⁽²⁾				
	VIN tied to VDD	3.0		5.5	V
	VIN	3.0		20	V

Figure 1. LM27403 v_{IN} Range

The minimum V_{IN} is 3V, so it passes the sanity check for use with a 3.3V rail. Now, let's look at the block diagram for the LM27403, shown in [Figure 2](#).

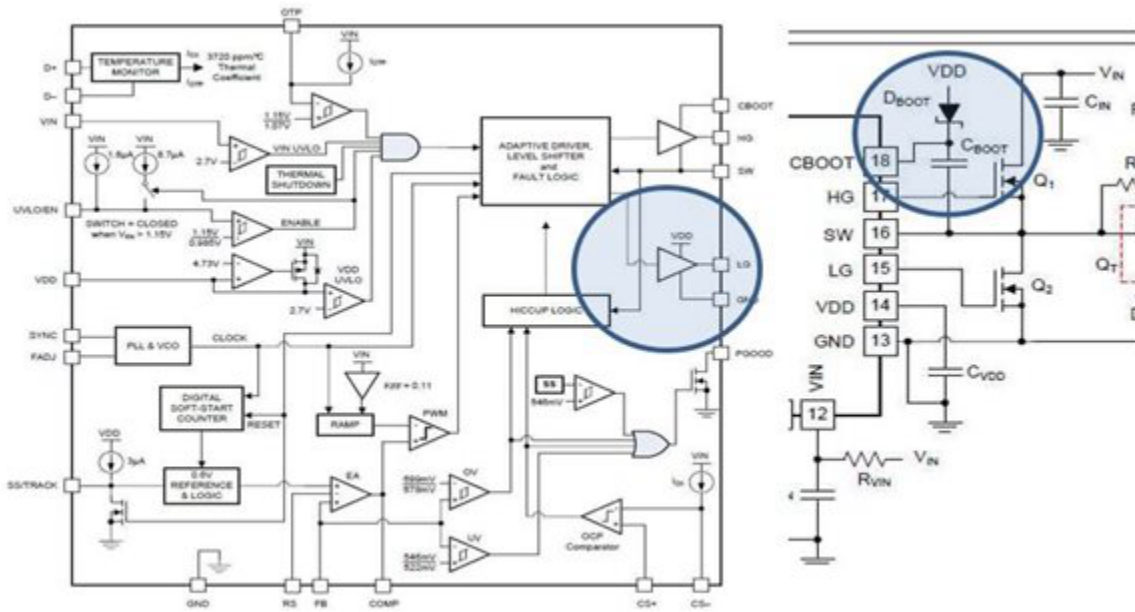


Figure 2. LM27403 block diagram

VDD in [Figure 2](#) powers both the low- and high-side drivers. The supply for the low-side driver is VDD and the supply for the high-side driver is C_{BOOT}, also known as VDD-Dboot. This means that the low-side FET will see 3.3V for the gate drive and the high-side FET will see 3.3V minus the boot diode drop.

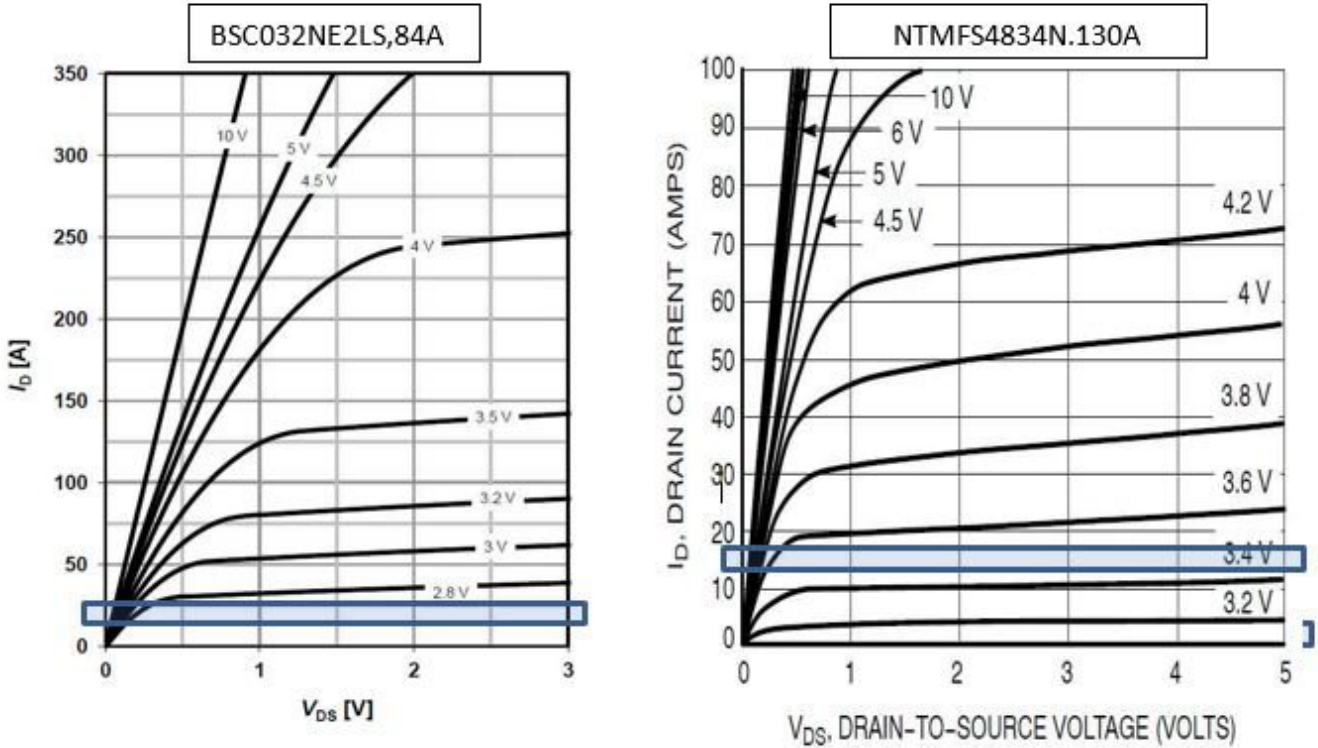
You'll usually want to use controllers when your output-current needs are higher than 5A. Take a 15A application. [Figure 3](#) lists a few random FET choices.

FETS	I _D max	Rdson spec	I _d at V _{gs} =3V	Rdson at V _{gs} =3V	I _d at V _{gs} =5V	Rdson at V _{gs} =5V
NTD4806N	76A	10mΩ	<3A	No data	>70A	6mΩ
CSD17308Q3	50A	10mΩ	No data	12mΩ	>30A	8.5mΩ
CSD17304Q3	56A	6mΩ	>30A	9.5mΩ	>30A	6.5mΩ
CSD17309Q3	60A	5mΩ	>30A	6mΩ	>50A	4.5mΩ
CSD17581Q3A	60A	3.2mΩ	No data	10mΩ	>50A	3.7mΩ
NTMFS4834N	130A	4mΩ	10A	25mΩ	>100A	3.5mΩ
BSC032NE2LS	84A	3mΩ	50A	10mΩ	>70A	3.5mΩ
CSD16556Q5B	100A	1mΩ	No data	3mΩ	>70A	1.2mΩ
BSC010NE2LS	100A	1mΩ	75A	3mΩ	>70A	1mΩ
CSD87350Q5D -control fet	40A	5mΩ	No data	8mΩ	>30A	5mΩ
CSD87350Q5D -sync fet	40A	1.2mΩ	No data	2.7mΩ	>30A	2.2mΩ

Figure 3. FET Choices for a 15A Design

Referring to [Figure 3](#) and [Figure 4](#) you can see that the I_D max and Rdson spec columns in the data sheet can be misleading when it comes to operating at 3.3V. Factoring in a 10% tolerance, examine the FET curves (in [Figure 4](#)) for 3V and the drain current in the I_d at V_{gs}=3V column in [Figure 3](#). This is the significant parameter that tells you whether a FET can natively support operation at V_{IN} = 3.3V. For example, the NTMFS4834N will not support a 15A application even though it has a low Rdson number (see the I_D capability at V_{gs} = 3V in [Figure 4](#)). This same FET would be OK if you were supplying 5V to the VDD pin of the LM27403. But using FETs that are not designed for a 3.3V application will affect three things:

- The FET won't support the current, and the high V_d drop will cause high power dissipation or even damage the device.
- Efficiency will be lower than expected due to the sharp increase in Rdson at 3V_{gs}.
- If the controller uses Rdson for sensing the current limit, the current limit may not function correctly.



Good choice for a 3.3V input voltage/15A design

Bad choice for a 3.3V input voltage/15A design

Figure 4. FET Curves Showing I_D Versus V_{DS}

Figure 3 indicates that all of the FETs would be fine to use at $V_{GS} = 5V$.

Talking about MOSFET data sheets, the CSD17304Q3 and CSD17309Q3 data sheets show my favorite format depicting curves down to lower V_{GS} levels. Figure 5 shows the curves down to V_{GS} levels of 2.5V. Kudos to the applications team that did this.

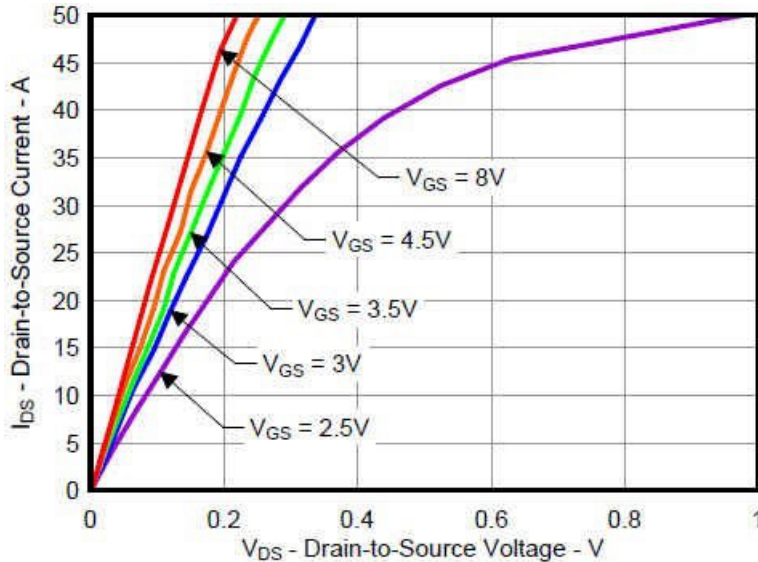


Figure 5. FET Curve from the CSD17309Q3 Data Sheet

How do you accomplish that practically for a 3.3V rail? This leads me to the question I asked at the beginning of this post; when to use an external bias for controllers.

In some cases external bias is used as an efficiency improvement measure. In other cases external bias makes it practical for the FET to support the current.

Figure 6 and Figure 7 shows the efficiency improvements for different configurations of VDD with different FETs.

How much current should the bias regulator be capable of supplying? It should be capable of providing the non-switching quiescent current plus the average gate-drive currents (I_{BIAS}). You can calculate this using the CSD87350Q5D as an example (see

$$I_{BIAS} = Q_{G(ctrl)} + Q_{G(sync)} \times f_{SW} = 30 \text{ nC} \times 250 \text{ kHz} = 7.5 \text{ mA} \quad (1)$$

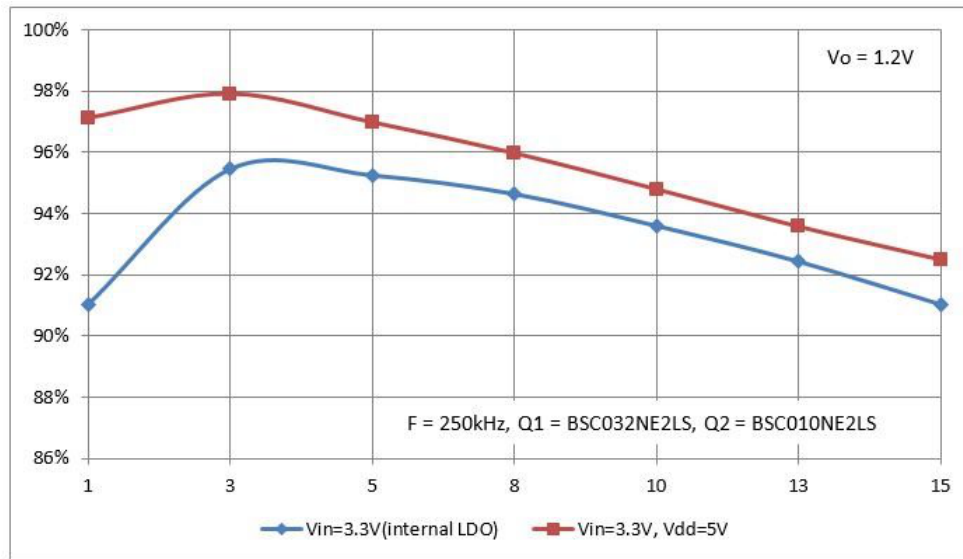


Figure 6. Efficiency Curves for the LM27403 and BSC032NE2LS/BSC010NE2LS, with Internal and External Bias

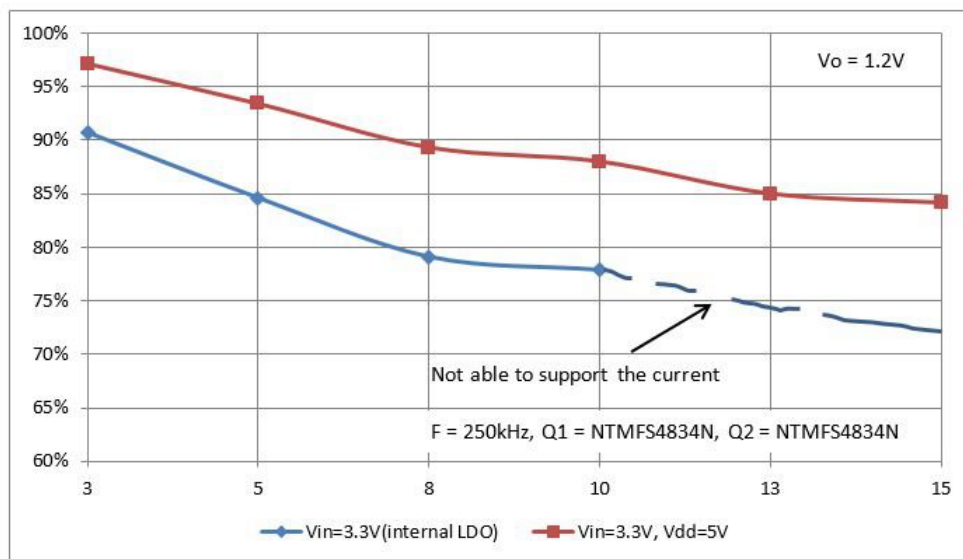


Figure 7. Efficiency Curves for the LM27403 and NTMFS4834, with Internal and External Bias

Figure 8 shows the impact of DC bias on the switching waveform, with dc bias the rise times are fast.

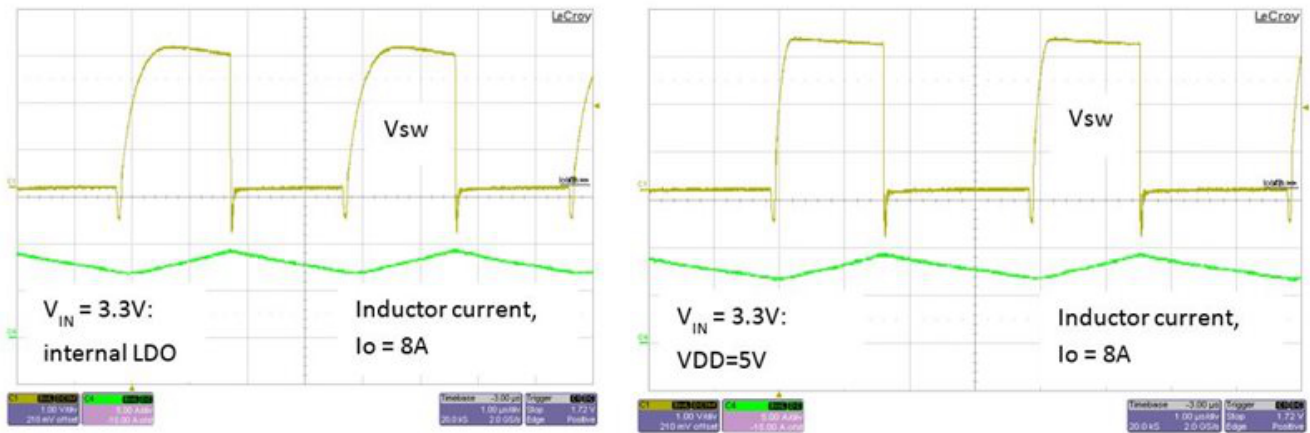


Figure 8. Switching Waveforms with and without DC Bias

So as you can see, you have to pay careful attention to FET selection in controller designs that run off of a 3.3V rail. By pairing the right FET, you can get a trouble-free design performing at its best; by using a device that flexibly applies external bias, you can optimize your design for cost and highest efficiency.

In the next installment of this series, I'll discuss these two topics:

- Can you apply an external bias voltage to any controller VDD pin or V_{IN} pin?
- If you don't have a 5V bias rail available in your system, can you generate a 5V bias rail from the DC/DC converter by using a charge pump?

IMPORTANT NOTICE AND DISCLAIMER

TI PROVIDES TECHNICAL AND RELIABILITY DATA (INCLUDING DATA SHEETS), DESIGN RESOURCES (INCLUDING REFERENCE DESIGNS), APPLICATION OR OTHER DESIGN ADVICE, WEB TOOLS, SAFETY INFORMATION, AND OTHER RESOURCES "AS IS" AND WITH ALL FAULTS, AND DISCLAIMS ALL WARRANTIES, EXPRESS AND IMPLIED, INCLUDING WITHOUT LIMITATION ANY IMPLIED WARRANTIES OF MERCHANTABILITY, FITNESS FOR A PARTICULAR PURPOSE OR NON-INFRINGEMENT OF THIRD PARTY INTELLECTUAL PROPERTY RIGHTS.

These resources are intended for skilled developers designing with TI products. You are solely responsible for (1) selecting the appropriate TI products for your application, (2) designing, validating and testing your application, and (3) ensuring your application meets applicable standards, and any other safety, security, regulatory or other requirements.

These resources are subject to change without notice. TI grants you permission to use these resources only for development of an application that uses the TI products described in the resource. Other reproduction and display of these resources is prohibited. No license is granted to any other TI intellectual property right or to any third party intellectual property right. TI disclaims responsibility for, and you will fully indemnify TI and its representatives against, any claims, damages, costs, losses, and liabilities arising out of your use of these resources.

TI's products are provided subject to [TI's Terms of Sale](#) or other applicable terms available either on [ti.com](https://www.ti.com) or provided in conjunction with such TI products. TI's provision of these resources does not expand or otherwise alter TI's applicable warranties or warranty disclaimers for TI products.

TI objects to and rejects any additional or different terms you may have proposed.

Mailing Address: Texas Instruments, Post Office Box 655303, Dallas, Texas 75265
Copyright © 2023, Texas Instruments Incorporated