

TPS65910 User Guide For OMAP3 Family of Processor

This document can be used as a reference for connectivity between the TPS65910 power-management integrated circuit (PMIC) and the OMAP3 family (OMAP35xx/OMAP36xx/DM37xx/AM37xx/AM35xx, except AM3517 and AM3505).

Contents

1	Introduction	1
2	Platform Connection	1
3	Power-Up Sequencing	3
4	Getting Started With TPS65910 and Associated Processor	5
5	Revision History	8

List of Figures

1	OMAP3 Power Supply Connections With TPS65910	2
2	Power-Up Sequence for TPS65910	3

List of Tables

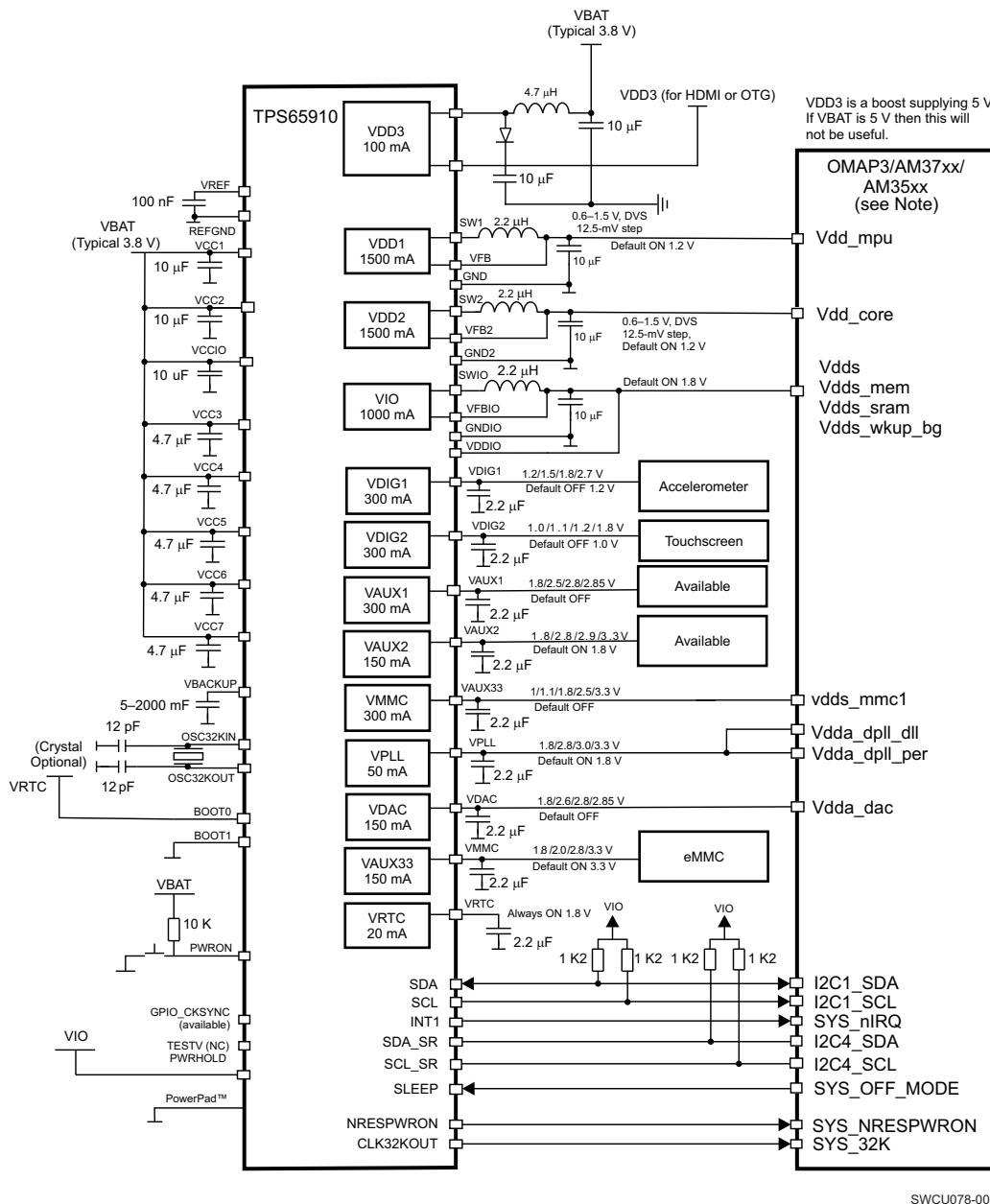
1	Power-Up Sequence for TPS65910 (BOOT0 = 1 and BOOT1 = 0).....	3
2	Power Domain Mapping	4
3	EEPROM Configuration of TPS65910	4
4	Revision History	8

1 Introduction

This document can be used as a reference for connectivity between the TPS65910 PMIC and OMAP3 family (OMAP35xx/OMAP36xx/DM37xx/AM37xx/AM35xx, except AM3517 and AM3505). For information about the power resources or the functionality of the device, see the device data sheet.

2 Platform Connection

[Figure 1](#) shows the power supply connections between the TPS65910 and OMAP3.



SWCU078-001

Figure 1. OMAP3 Power Supply Connections With TPS65910

NOTE:

- This diagram does not apply to the AM3517 and AM3505 processors.
- The power-up sequence for OMAP core power rails (for VDD_CORE and VDD_MPU) is swapped. However, this does not affect OMAP power up. OMAP powers up without any issues.
- The reason for swapping the supply domains is that, based on experimentation, VDD1 is less board sensitive than VDD2 under heavy load (> 1200 mA) conditions, so it is recommended to use VDD1 for handling the heaviest load condition of the application, thus easing the board routing.

At power up, the maximum current capability (default setting) of the DCDC converters is as follows:

- VIO(max) = 500 mA
- VDD1(max) = 1000 mA
- VDD2(max) = 1000 mA

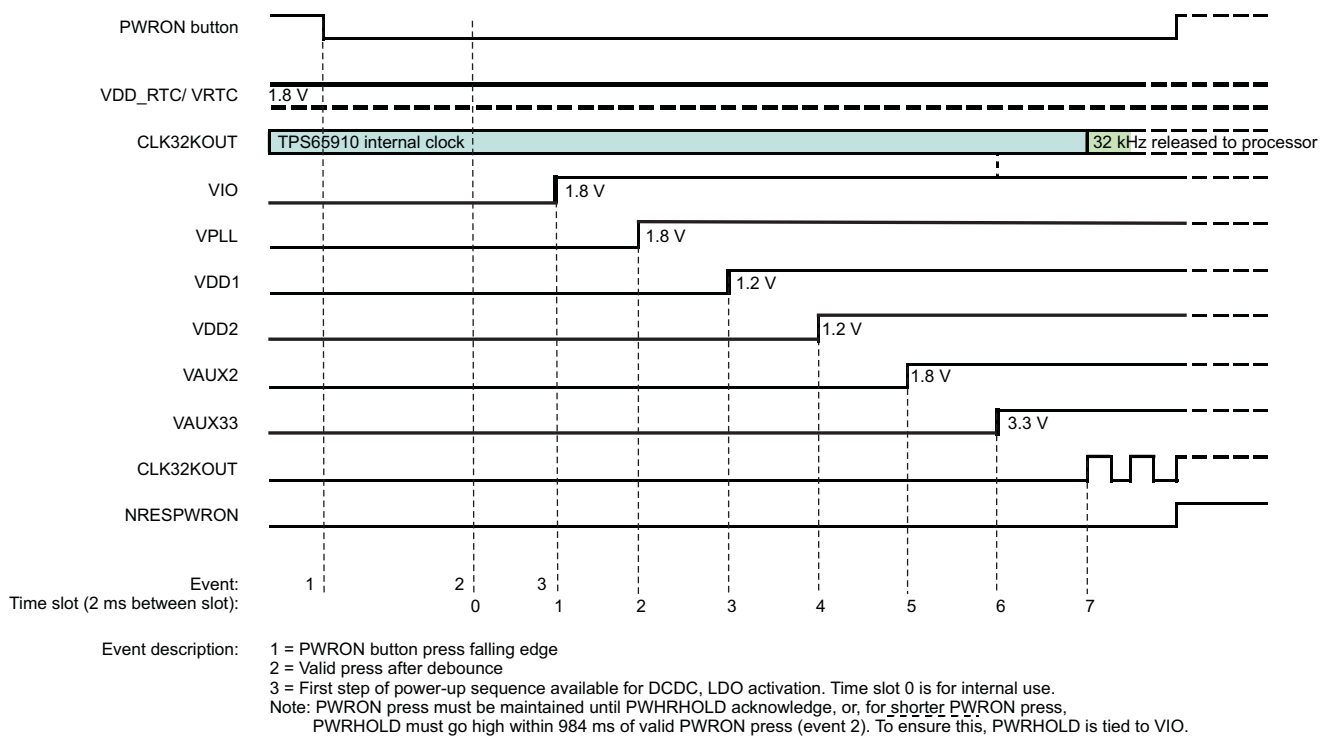
To have the maximum current capability, the user must program the following register bits:

- VIO_REG[ILMAX] = b01 for 1 A
- VDD1_REG[ILMAX] = b1 for 1.5 A
- VDD2_REG[ILMAX] = b1 for 1.5 A

3 Power-Up Sequencing

3.1 Power-Up Sequence for OMAP3 Family

This section describes the power-up sequence for the TPS65910 power rails that matches the power-up sequence for the processors named in [Section 1, Introduction](#). To power up the system, the user should press and release the PWRON switch (generating a negative pulse) on the platform (see [Figure 2](#).)



SWCU078-002

Figure 2. Power-Up Sequence for TPS65910

[Table 1](#) describes the power-up sequence for TPS65910 where BOOT0 = 1 and BOOT1 = 0. This sequence is aligned for the family of processors named in [Section 1, Introduction](#).

Table 1. Power-Up Sequence for TPS65910 (BOOT0 = 1 and BOOT1 = 0)

Power Domain	Pin Name	Voltage (V)	Sequence
IO CORE	VDDS_WKUP_BGVDDS_SRAMVDDS_MEMVDDS	1.8	1
PLL	VDDS_DPLL_DLLVDDS_DPLL_PER	1.8	2
Core	VDD_CORE	1.2	3
Core	VDD_MPU	1.2	4

NOTE: For correct power on of the device, the PWRHOLD signal should be high after PWRON is pressed. For an OMAP3 configuration, the PWRHOLD signal on TPS65910 is connected to VIO. PWRHOLD transitions to high when VIO powers up.

Table 2 describes the power domain mapping for the TPS65910 and OMAP35xx/AM35xx processors.

Table 2. Power Domain Mapping

TPS65910 Power Resource	I _{max} (mA)	OMAP35xx/AM35xx Power Domain	I _{max} (mA)
VIO	1000	Vdds_io vdds_mem vdds_sram Vdda_wkup_bg_bb	60 35 41 5
VPLL	50	Vdda_dpils_dll Vdda_dpil_per	30 10
VDD1	1500	Vdd_mpu	1200
VDD2	1500	Vdd_core	300
VDAC	150	Vdda_dac	60
VAUX2	150	Vdds_mmc1	20

Table 3 lists the EEPROM configuration of the TPS65910.

Table 3. EEPROM Configuration of TPS65910

Register	Bit	Description	TPS65910 BOOT0/1
VDD1_OP_REG	SEL	VDD1 voltage level selection for boot	1.2 V
VDD1_REG	VGAIN_SEL	VDD1 gain selection (x1 or x2)	x1
EEPROM		VDD1 time slot selection	3
DCDCCTRL_REG	VDD1_PSKIP	VDD1 pulse skip mode enable	Skip enabled
VDD2_OP_REG/VDD2_SR_REG	SEL	VDD2 voltage level selection for boot	1.2 V
VDD2_REG	VGAIN_SEL	VDD2 gain selection (x1 or x3)	x1
EEPROM		VDD2 time slot selection	4
DCDCCTRL_REG	VDD2_PSKIP	VDD2 pulse skip mode enable	Skip enabled
VIO_REG	SEL	VIO voltage selection	1.8 V
EEPROM		VIO time slot selection	1
DCDCCTRL_REG	VIO_PSKIP	VIO pulse skip mode enable	Skip enabled
EEPROM		VDD3 time slot	OFF
VDIG1_REG	SEL	LDO voltage selection	1.2 V
EEPROM		LDO time slot	OFF
VDIG2_REG	SEL	LDO voltage selection	1.0 V
EEPROM		LDO time slot	OFF
VDAC_REG	SEL	LDO voltage selection	1.8 V
EEPROM		LDO time slot	OFF
VPLL_REG	SEL	LDO voltage selection	1.8 V
EEPROM		LDO time slot	2
VAUX1_REG	SEL	LDO voltage selection	1.8 V
EEPROM		LDO time slot	OFF
VMMC_REG	SEL	LDO voltage selection	1.8 V
EEPROM		LDO time slot	OFF
VAUX33_REG	SEL	LDO voltage selection	3.3 V

Table 3. EEPROM Configuration of TPS65910 (continued)

Register	Bit	Description	TPS65910 BOOT0/1
EEPROM		LDO time slot	6
VAUX2_REG	SEL	LDO voltage selection	1.8 V
EEPROM		LDO time slot	5
CLK32KOUT pin		CLK32KOUT time slot	7
NRESPWRON pin		NRESPWRON time slot	7 + 1
VRTC_REG	VRTC_OFFMASK	0 = VRTC LDO is in low-power mode during OFF state. 1 = VRC LDO is in full-power mode during OFF state.	Low-power mode
DEVCTRL_REG	RTC_PWDN	0 = RTC in normal power mode 1 = Clock gating of RTC register and logic, low-power mode	1
DEVCTRL_REG	CK32K_CTRL	0 = Clock source is crystal/external clock. 1 = Clock source is internal RC oscillator.	Crystal
DEVCTRL2_REG	TSLOT_LENGTH	Boot sequence time slot duration: 0 = 0.5 ms 1 = 2 ms	2 ms
DEVCTRL2_REG	IT_POL	0 = INT1 signal will be active low 1 = INT1 signal is active high.	Active low
INT_MSK_REG	VMBHI_IT_MSK	0 = Device automatically switches on at NOSUPPLY-to-OFF or BACKUP-to-OFF transition. 1 = Start-up reason is required before switch on.	0 = Automatic switch-on from supply insertion
VMBCH_REG	VMBCH_SEL[1:0]	Select threshold for main battery comparator threshold VMBCH.	3 V

4 Getting Started With TPS65910 and Associated Processor

4.1 First Initialization

4.1.1 I/O Polarity/Muxing Configuration

Program DEVCTRL2_REG.SLEEPSIG_POL = 0 to set the polarity of the SLEEP signal for active low. The software configuration allows specific power resources to enter low consumption state when the SLEEP signal goes low.

Set DEVCTRL_REG.DEV_SLP = 1 to allow sleep transition when requested.

Update the GPIO0 configuration (GPIO0_REG) as desired.

4.1.2 Define Wakeup/Interrupt Event (SLEEP or OFF)

Select the appropriate bits in the INT_MSK_REG and INT_MSK2_REG registers to activate an interrupt to the processor on the INT1 line.

4.1.3 Backup Battery Configuration

If a backup battery is used, set BBCH_REG[BBCHEN] to 1 to enable backup battery charging. Maximum voltage can be set based on backup battery specifications (BBSEL).

4.1.4 DCDC and Voltage Scaling Resource Configuration

NOTE: If the SmartReflex™ interface is not used for voltage scaling (power saving), then these pins can be used to control the power resources.

Configure two operating voltages for DCDC1 and DCDC2:

- VDDx_OP_REG.SEL = roof voltage (Enx ball High)
- VDDx_SR_REG.SEL = floor voltage (Enx ball Low)

Assign control of DCDC1 to SCLSR_EN1 and DCDC2 to SCLSR_EN2:

- Set EN1_SMPS_ASS_REG.VDD1_EN1 = 1.
- Set EN2_SMPS_ASS_REG.VDD2_EN2 = 1.
- Set SLEEP_KEEP_RES_ON_REG.VDD2_KEEPON = 1 (allow low-power mode).
- Set SLEEP_KEEP_RES_ON_REG.VDD1_KEEPON = 1 (allow low-power mode).

4.1.5 Sleep Platform Configuration

Configure the state of the LDOs when the SLEEP signal is used. By default, all resources go to SLEEP state. In SLEEP state the LDO voltage is maintained but transient and load capability is reduced.

Resources that provide full load capability must be set in the SLEEP_KEEP_LDO_ON_REG register.

Resources that can be set off in SLEEP state to optimize power consumption must be set in the SLEEP_SET_LDO_OFF_REG register.

4.2 Event Management Through Interrupt

4.2.1 INT_STS_REG.VMBHI_IT

INT_STS_REG.VMBHI_IT indicates that the supply (VBAT) is connected. Leaving BACKUP or NO SUPPLY state, the system must be initialized (see [Section 4.1, First Initialization](#)).

4.2.2 INT_STS_REG.PWRON_IT

INT_STS_REG.PWRON_IT is triggered by pressing the PWRON button. If the device is in OFF or SLEEP state, then this interrupt acts as a wake-up event and resources are reinitialized.

4.2.3 INT_STS_REG.PWRON_LP_IT

INT_STS_REG.PWRON_LP_IT is the PWRON long-press interrupt and is generated when the PWRON switch is pressed for 6 seconds. The application processor can decide to acknowledge the interrupt. If this interrupt is not acknowledged in the following 2 seconds, the device interprets this as a power-down event.

4.2.4 INT_STS_REG.HOTDIE_IT

INT_STS_REG.HOTDIE_IT indicates that the temperature of the die is reaching the limit. Software must decrease power consumption before automatic shutdown.

4.2.5 INT_STS_REG.VMBDCH_IT

INT_STS_REG.VMBDCH_IT indicates that the input supply is low and the processor must prepare a shutdown to avoid losing data.

This interrupt is linked to VBAT but does not apply in a system where PMIC is connected to 5-V rails and not connected directly to VBAT.

4.2.6 INT_STS2_REG.GPIO_R/F_IT

INT_STS2_REG.GPIO_R/F_IT is the GPIO interrupt event and can be used to wake up the device from SLEEP state. This can be an interrupt coming from any peripheral or similar device. This wake-up event is not valid for a transition from OFF state.

4.2.7 INT_STS_REG.RTC_ALARM_IT

INT_STS_REG.RTC_ALARM_IT is triggered when the RTC alarm set time is reached.

5 Revision History

Table 4. Revision History

Version	Literature Number	Date	Notes
*	SWCU078	December 2010	See ⁽¹⁾ .
A	SWCU078A	July 2011	See ⁽²⁾ .

⁽¹⁾ *TPS65910 User Guide For OMAP3 Family of Processor*, SWCU071 - Initial release.

⁽²⁾ *TPS65910 User Guide For OMAP3 Family of Processor, and TMS320C674x*, SWCU071A:

- Update [Figure 1](#): Fix inductors on DCDC1 and DCDC2, change from 2.2 nH to 2.2 uH.

IMPORTANT NOTICE

Texas Instruments Incorporated and its subsidiaries (TI) reserve the right to make corrections, modifications, enhancements, improvements, and other changes to its products and services at any time and to discontinue any product or service without notice. Customers should obtain the latest relevant information before placing orders and should verify that such information is current and complete. All products are sold subject to TI's terms and conditions of sale supplied at the time of order acknowledgment.

TI warrants performance of its hardware products to the specifications applicable at the time of sale in accordance with TI's standard warranty. Testing and other quality control techniques are used to the extent TI deems necessary to support this warranty. Except where mandated by government requirements, testing of all parameters of each product is not necessarily performed.

TI assumes no liability for applications assistance or customer product design. Customers are responsible for their products and applications using TI components. To minimize the risks associated with customer products and applications, customers should provide adequate design and operating safeguards.

TI does not warrant or represent that any license, either express or implied, is granted under any TI patent right, copyright, mask work right, or other TI intellectual property right relating to any combination, machine, or process in which TI products or services are used. Information published by TI regarding third-party products or services does not constitute a license from TI to use such products or services or a warranty or endorsement thereof. Use of such information may require a license from a third party under the patents or other intellectual property of the third party, or a license from TI under the patents or other intellectual property of TI.

Reproduction of TI information in TI data books or data sheets is permissible only if reproduction is without alteration and is accompanied by all associated warranties, conditions, limitations, and notices. Reproduction of this information with alteration is an unfair and deceptive business practice. TI is not responsible or liable for such altered documentation. Information of third parties may be subject to additional restrictions.

Resale of TI products or services with statements different from or beyond the parameters stated by TI for that product or service voids all express and any implied warranties for the associated TI product or service and is an unfair and deceptive business practice. TI is not responsible or liable for any such statements.

TI products are not authorized for use in safety-critical applications (such as life support) where a failure of the TI product would reasonably be expected to cause severe personal injury or death, unless officers of the parties have executed an agreement specifically governing such use. Buyers represent that they have all necessary expertise in the safety and regulatory ramifications of their applications, and acknowledge and agree that they are solely responsible for all legal, regulatory and safety-related requirements concerning their products and any use of TI products in such safety-critical applications, notwithstanding any applications-related information or support that may be provided by TI. Further, Buyers must fully indemnify TI and its representatives against any damages arising out of the use of TI products in such safety-critical applications.

TI products are neither designed nor intended for use in military/aerospace applications or environments unless the TI products are specifically designated by TI as military-grade or "enhanced plastic." Only products designated by TI as military-grade meet military specifications. Buyers acknowledge and agree that any such use of TI products which TI has not designated as military-grade is solely at the Buyer's risk, and that they are solely responsible for compliance with all legal and regulatory requirements in connection with such use.

TI products are neither designed nor intended for use in automotive applications or environments unless the specific TI products are designated by TI as compliant with ISO/TS 16949 requirements. Buyers acknowledge and agree that, if they use any non-designated products in automotive applications, TI will not be responsible for any failure to meet such requirements.

Following are URLs where you can obtain information on other Texas Instruments products and application solutions:

Products

Audio	www.ti.com/audio
Amplifiers	amplifier.ti.com
Data Converters	dataconverter.ti.com
DLP® Products	www.dlp.com
DSP	dsp.ti.com
Clocks and Timers	www.ti.com/clocks
Interface	interface.ti.com
Logic	logic.ti.com
Power Mgmt	power.ti.com
Microcontrollers	microcontroller.ti.com
RFID	www.ti-rfid.com
RF/IF and ZigBee® Solutions	www.ti.com/lprf

Applications

Communications and Telecom	www.ti.com/communications
Computers and Peripherals	www.ti.com/computers
Consumer Electronics	www.ti.com/consumer-apps
Energy and Lighting	www.ti.com/energy
Industrial	www.ti.com/industrial
Medical	www.ti.com/medical
Security	www.ti.com/security
Space, Avionics and Defense	www.ti.com/space-avionics-defense
Transportation and Automotive	www.ti.com/automotive
Video and Imaging	www.ti.com/video
Wireless	www.ti.com/wireless-apps

TI E2E Community Home Page

e2e.ti.com

Mailing Address: Texas Instruments, Post Office Box 655303, Dallas, Texas 75265
Copyright © 2011, Texas Instruments Incorporated