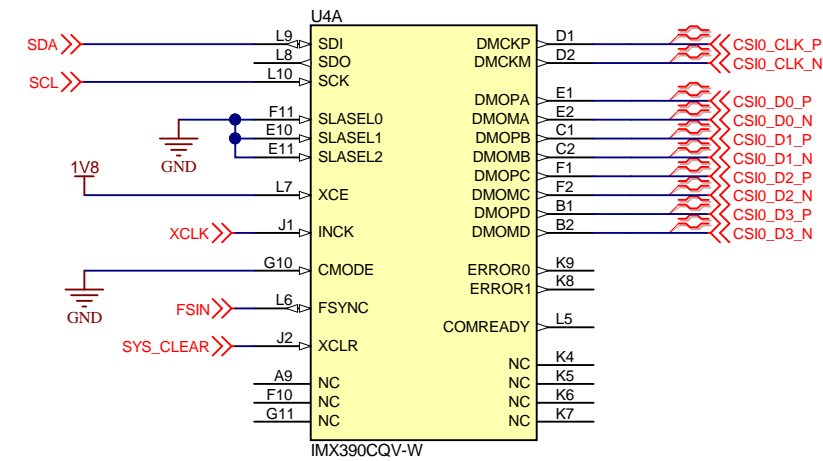
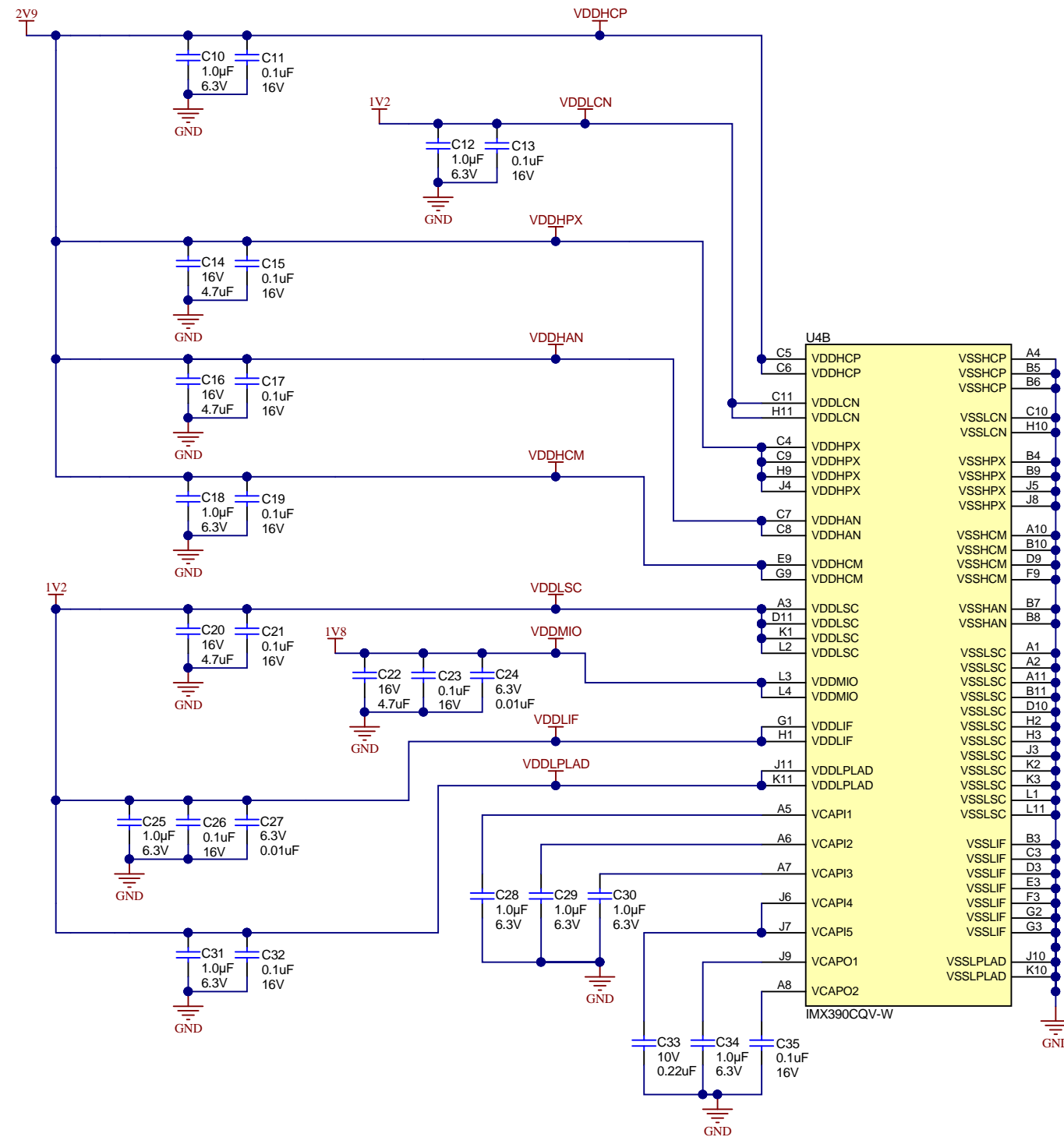


COAX CONNECTOR, POWER SUPPLY

Texas Instruments and/or its licensors do not warrant the accuracy or completeness of this specification or any information contained therein. Texas Instruments and/or its licensors do not warrant that this design will meet the specifications, will be suitable for your application or fit for any particular purpose, or will operate in an implementation. Texas Instruments and/or its licensors do not warrant that the design is production worthy. You should completely validate and test your design implementation to confirm the system functionality for your application.

Number: TIDA-020003	Rev: E1	Designed for: Public Release	Mod. Date: 11/25/2019
SVN Rev: Not in version control	Assembly Variant: 001	Project Title: TIDA-020003	Sheet: 1 of 5
Drawn By: Jeramie Bianchi	Engineer: Matt S	File: TIDA-020003_Coax Connection and Power Supply_SchDoc	http://www.ti.com
		Contact: http://www.ti.com/support	© Texas Instruments 2019





I2C Address = 0011010x

I2C Address = 0x1A

Image Sensor

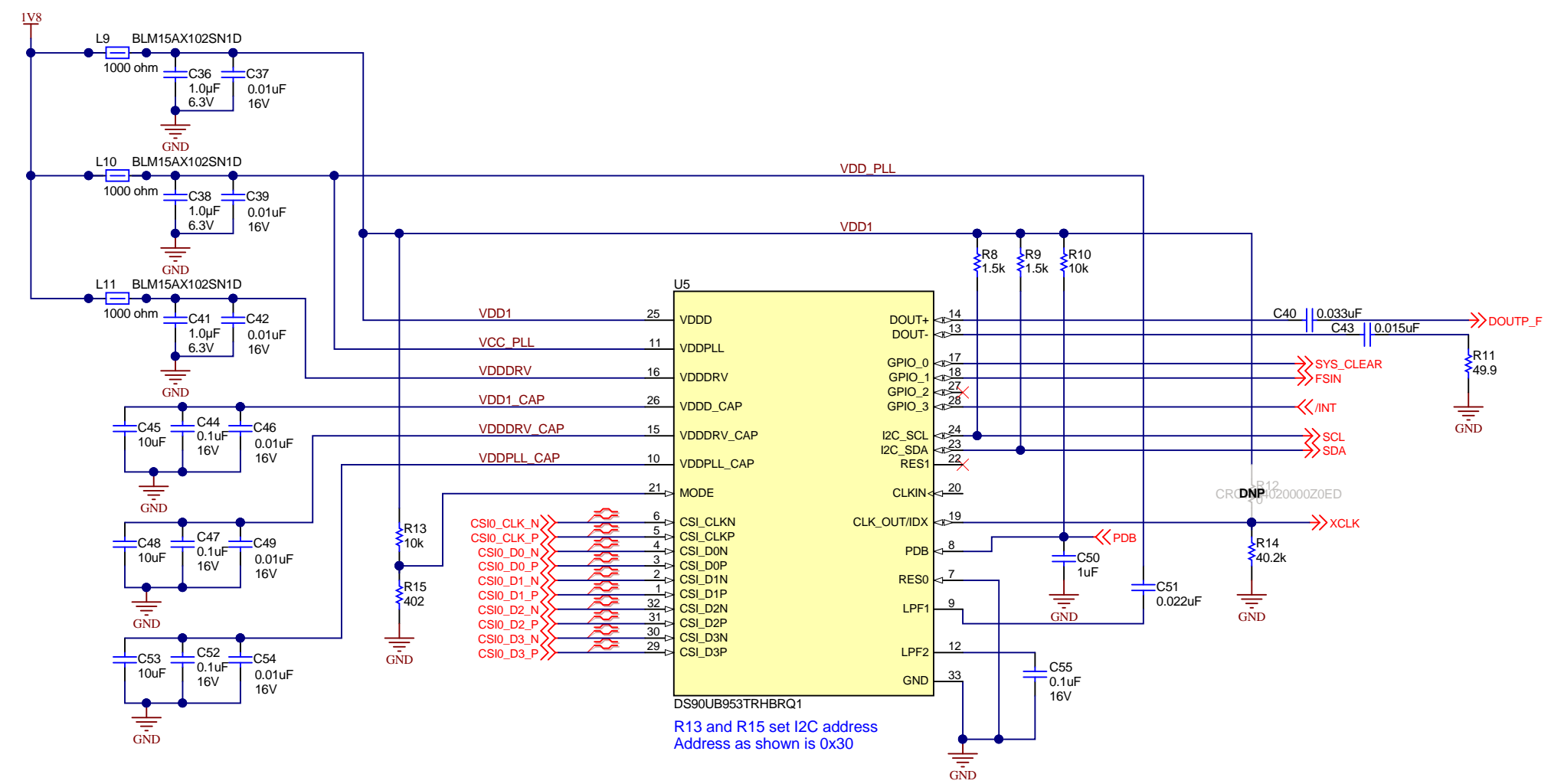
Texas Instruments and/or its licensors do not warrant the accuracy or completeness of this specification or any information contained therein. Texas Instruments and/or its licensors do not warrant that this design will meet the specifications, will be suitable for your application or fit for any particular purpose, or will operate in an implementation. Texas Instruments and/or its licensors do not warrant that the design is production worthy. You should completely validate and test your design implementation to confirm the system functionality for your application.

Number: TIDA-020003 | Rev: E1
 SVN Rev: Not in version control
 Drawn By: Jeramie Bianchi
 Engineer: Matt S

Designed for: Public Release	Mod. Date: 11/24/2019
Project Title: TIDA-020003	
Sheet Title: Image Sensor	
Assembly Variant: 001	Sheet: 3 of 5
File: TIDA-020003_Imager.SchDoc	Size: B
Contact: http://www.ti.com/support	



© Texas Instruments 2019



SERIALIZER

Texas Instruments and/or its licensors do not warrant the accuracy or completeness of this specification or any information contained therein. Texas Instruments and/or its licensors do not warrant that this design will meet the specifications, will be suitable for your application or fit for any particular purpose, or will operate in an implementation. Texas Instruments and/or its licensors do not warrant that the design is production worthy. You should completely validate and test your design implementation to confirm the system functionality for your application.

Number: TIDA-020003	Rev: E1	Designed for: Public Release	Mod. Date: 11/24/2019
SVN Rev: Not in version control	Drawn By: Jeramie Bianchi	Project Title: TIDA-020003	Sheet Title: Serializer
Engineer: Matt S	Assembly Variant: 001	File: TIDA-020003_Serializer.SchDoc	Sheet: 4 of 5
	Size: B	Contact: http://www.ti.com/support	Size: B



LH1
MECH
CMT821

ZZ1

Assembly Note

These assemblies are ESD sensitive, ESD precautions shall be observed.

ZZ2

Assembly Note

These assemblies must be clean and free from flux and all contaminants. Use of no clean flux is not acceptable.

ZZ3

Assembly Note

These assemblies must comply with workmanship standards IPC-A-610 Class 2, unless otherwise specified.



PCB Number: TIDA-020003
PCB Rev: E1

A

A

B

B

C


C

D

D

Hardware

Texas Instruments and/or its licensors do not warrant the accuracy or completeness of this specification or any information contained therein. Texas Instruments and/or its licensors do not warrant that this design will meet the specifications, will be suitable for your application or fit for any particular purpose, or will operate in an implementation. Texas Instruments and/or its licensors do not warrant that the design is production worthy. You should completely validate and test your design implementation to confirm the system functionality for your application.

Number: TIDA-020003	Rev: E1	Designed for: Public Release	Mod. Date: 11/24/2019
SVN Rev: Not in version control	Assembly Variant: 001	Project Title: TIDA-020003	Sheet: 5 of 5
Drawn By: Jeramie Bianchi	File: TIDA-020003_HDWR.SchDoc	Sheet Title: Hardware	Size: B
Engineer: Matt S	Contact: http://www.ti.com/support	 http://www.ti.com <small>© Texas Instruments 2019</small>	

IMPORTANT NOTICE AND DISCLAIMER

TI PROVIDES TECHNICAL AND RELIABILITY DATA (INCLUDING DATASHEETS), DESIGN RESOURCES (INCLUDING REFERENCE DESIGNS), APPLICATION OR OTHER DESIGN ADVICE, WEB TOOLS, SAFETY INFORMATION, AND OTHER RESOURCES "AS IS" AND WITH ALL FAULTS, AND DISCLAIMS ALL WARRANTIES, EXPRESS AND IMPLIED, INCLUDING WITHOUT LIMITATION ANY IMPLIED WARRANTIES OF MERCHANTABILITY, FITNESS FOR A PARTICULAR PURPOSE OR NON-INFRINGEMENT OF THIRD PARTY INTELLECTUAL PROPERTY RIGHTS.

These resources are intended for skilled developers designing with TI products. You are solely responsible for (1) selecting the appropriate TI products for your application, (2) designing, validating and testing your application, and (3) ensuring your application meets applicable standards, and any other safety, security, or other requirements. These resources are subject to change without notice. TI grants you permission to use these resources only for development of an application that uses the TI products described in the resource. Other reproduction and display of these resources is prohibited. No license is granted to any other TI intellectual property right or to any third party intellectual property right. TI disclaims responsibility for, and you will fully indemnify TI and its representatives against, any claims, damages, costs, losses, and liabilities arising out of your use of these resources.

TI's products are provided subject to TI's Terms of Sale (www.ti.com/legal/termsofsale.html) or other applicable terms available either on ti.com or provided in conjunction with such TI products. TI's provision of these resources does not expand or otherwise alter TI's applicable warranties or warranty disclaimers for TI products.

Mailing Address: Texas Instruments, Post Office Box 655303, Dallas, Texas 75265
Copyright © 2019, Texas Instruments Incorporated