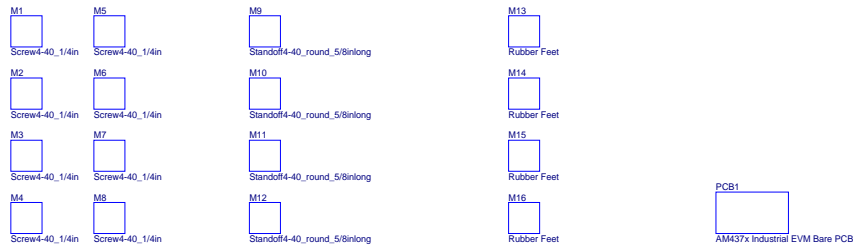
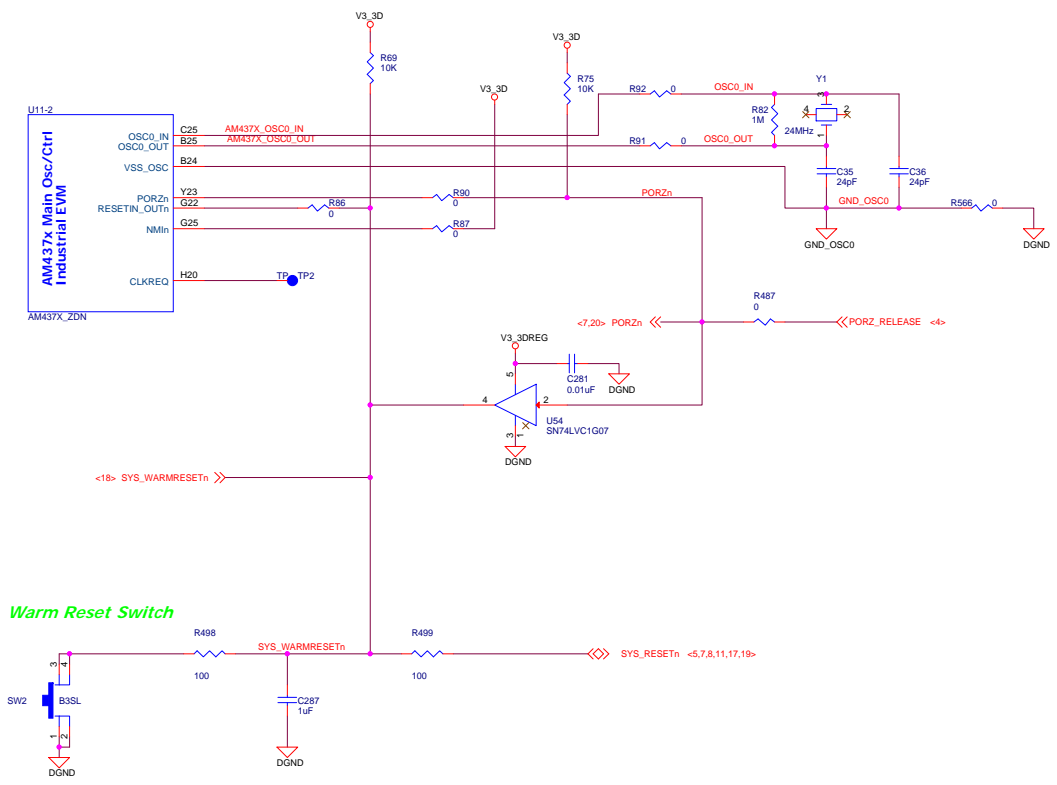


ARM MPU AM437X Industrial EVM ZDN Package

- See the Hardware User Guide for board details
- See the Errata Document for design Issues
- See the PCB Build Specification for PCB Details



ARM MPU	Texas Instruments, Inc.			
	ARM MPU Business Unit 12500 TI Blvd Dallas, TX 75243			
	AM437x Industrial EVM			Final
	Title Page			
Size	Document Number	Modified By:	Rev	
C	am437x_industrial_evm_3k0008.dsn	Damon Domke	1.3A	
Date: Wednesday, August 27, 2014			Sheet: 1	of 20

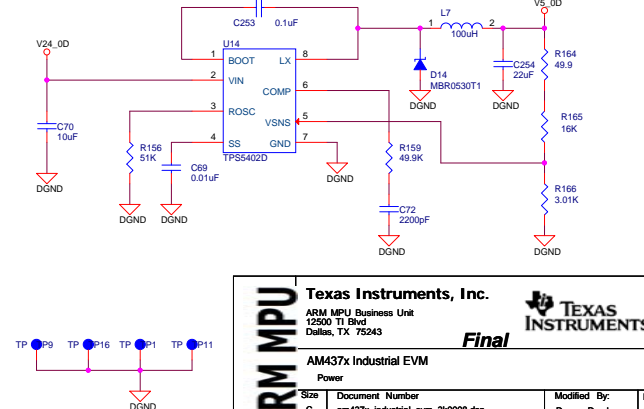
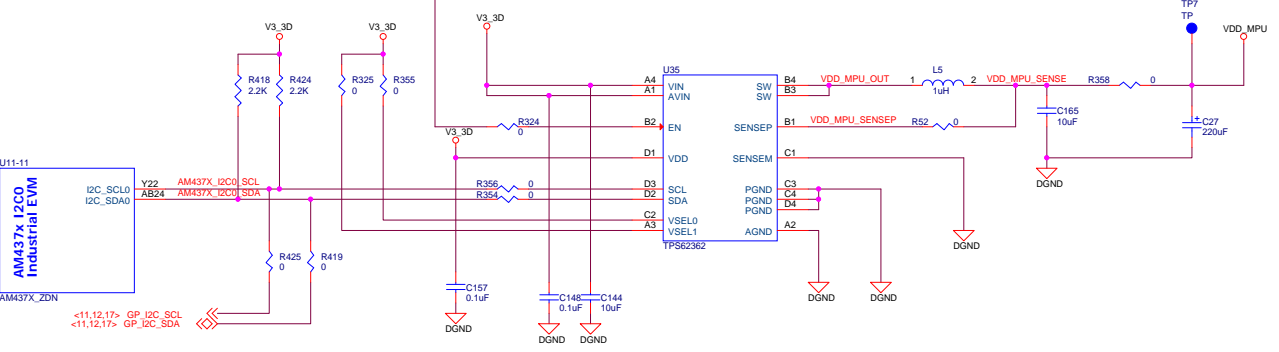
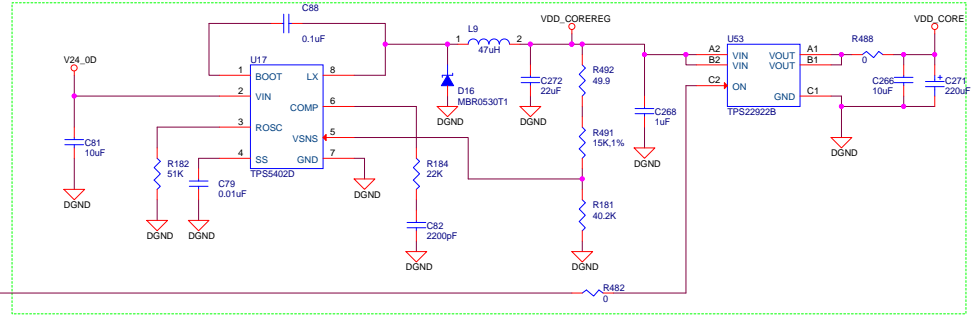
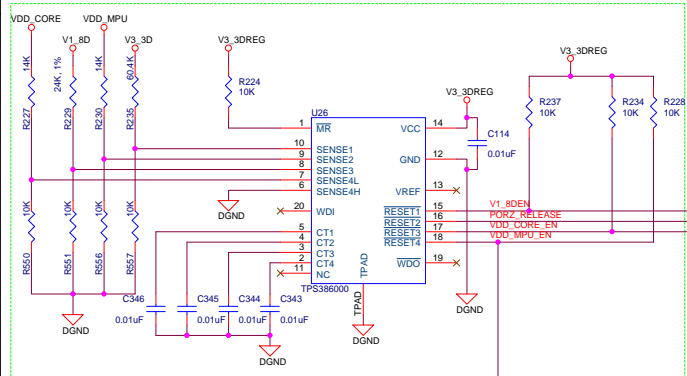
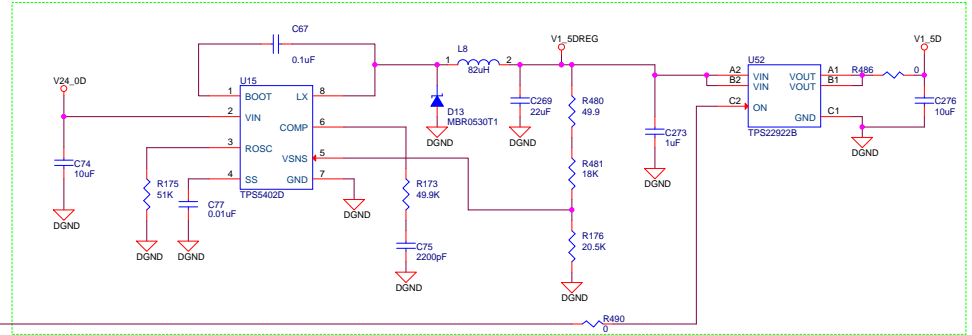
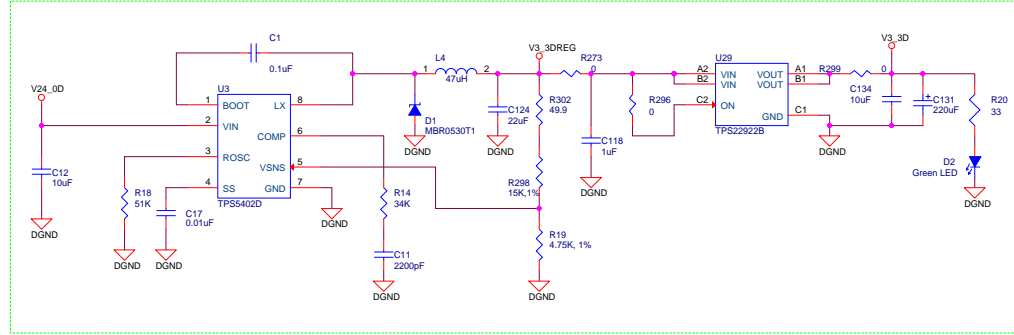
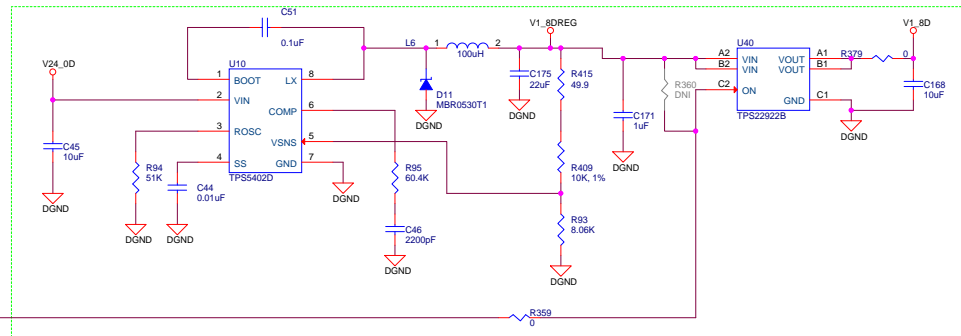
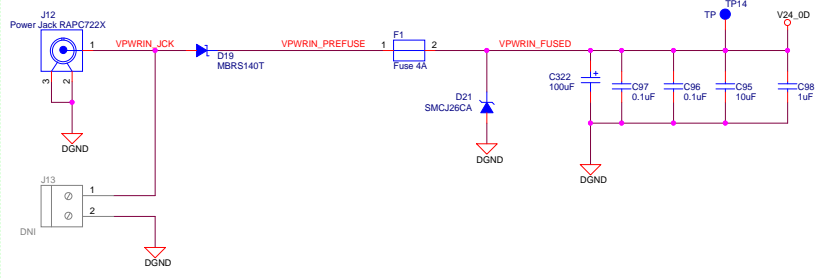


Warm Reset Switch

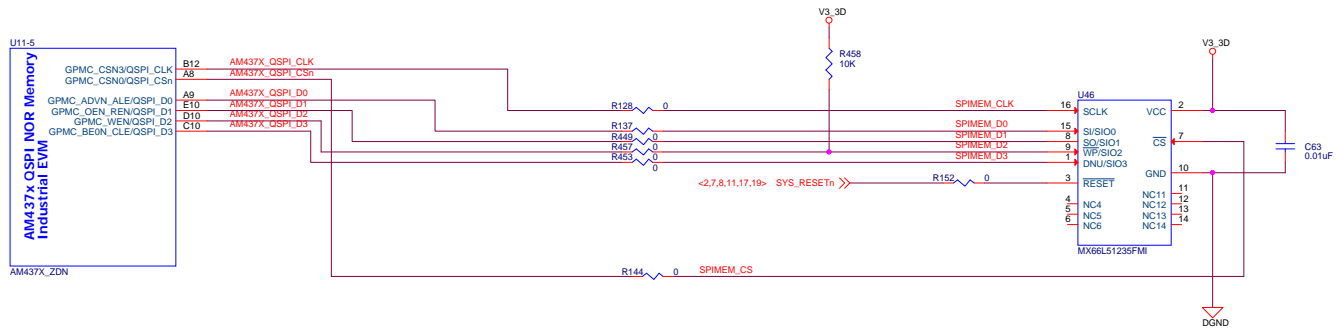
defaultbuild

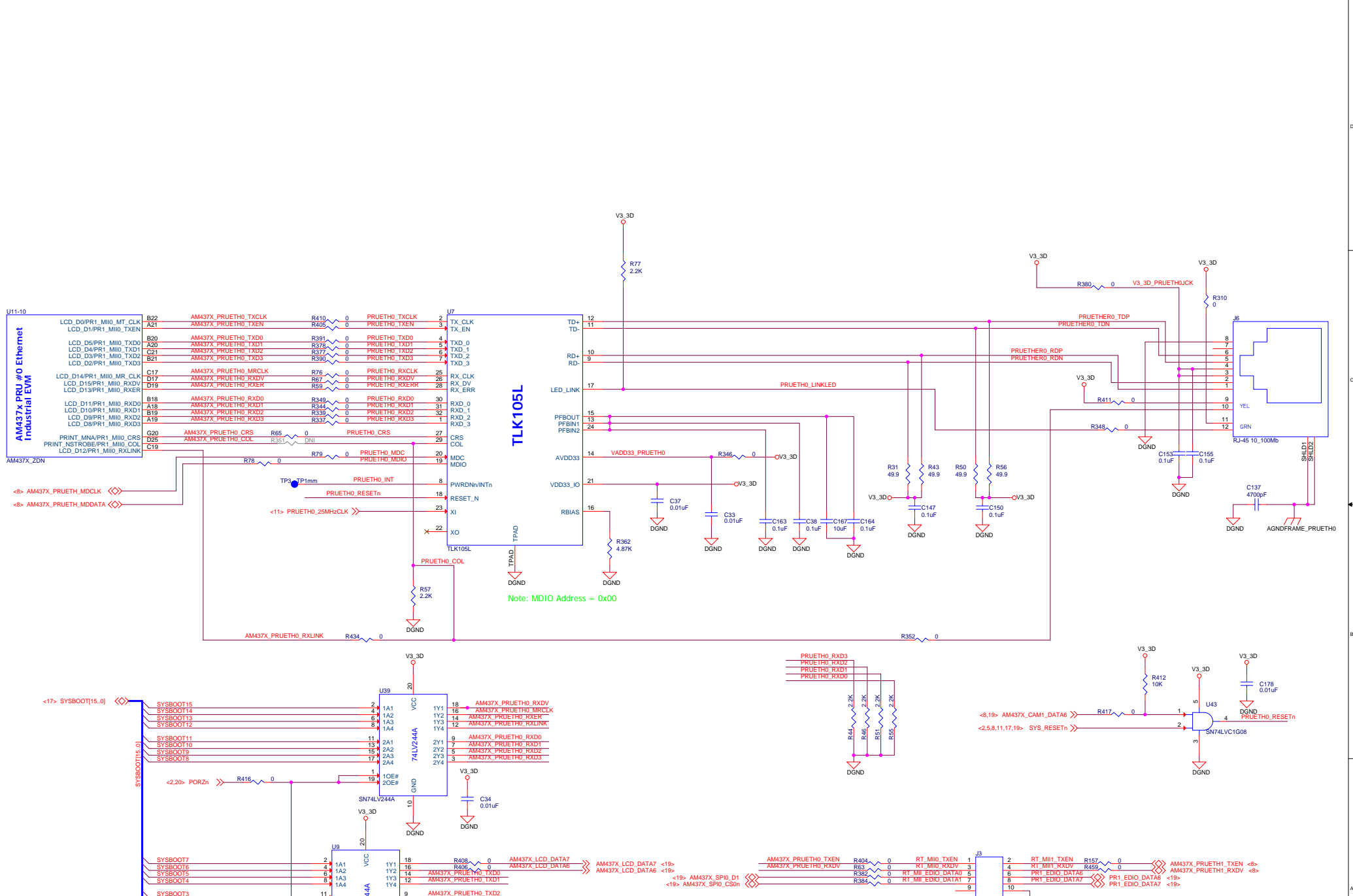
ARM MPU	Texas Instruments, Inc.			
	ARM MPU Business Unit 12500 TI Blvd Dallas, TX 75243			
	Final			
AM437x Industrial EVM				
Processor System				
Size	Document Number	Modified By:	Rev	
C	am437x_industrial_ewm_3k0008.dsn	Damon Domke	1.3A	
Date:	Monday, July 21, 2014	Sheet: 2	of 20	

Main 24VDC Power Input



ARM MPU Texas Instruments, Inc. ARM MPU Business Unit
 12500 TI Blvd
 Dallas, TX 75243
Final
AM437x Industrial EVM
 Power
 Size C Document Number am437x_industrial_ewm_3k0008.dsn Modified By: Damon Domke Rev 1.3A
 Date: Thursday, July 31, 2014 Sheet: 4 of 20



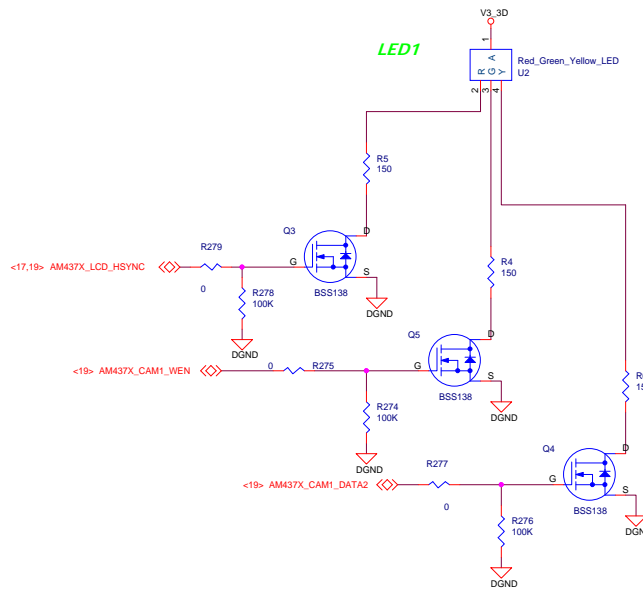
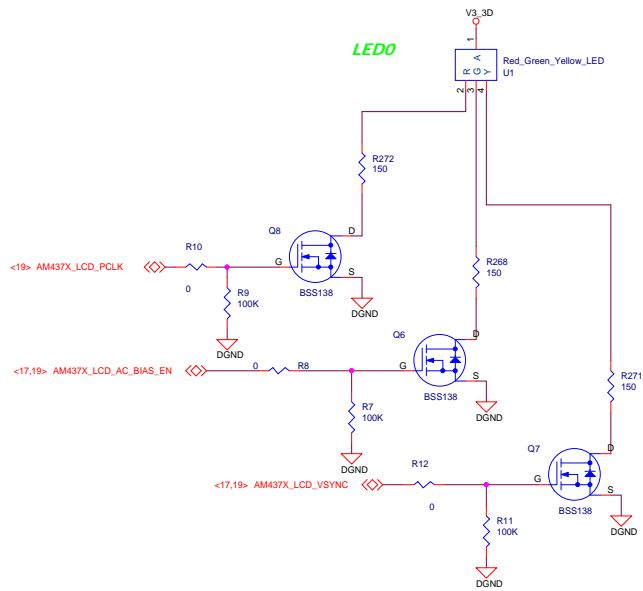


U11-10
AM437x PRU #0 Ethernet Industrial EVM

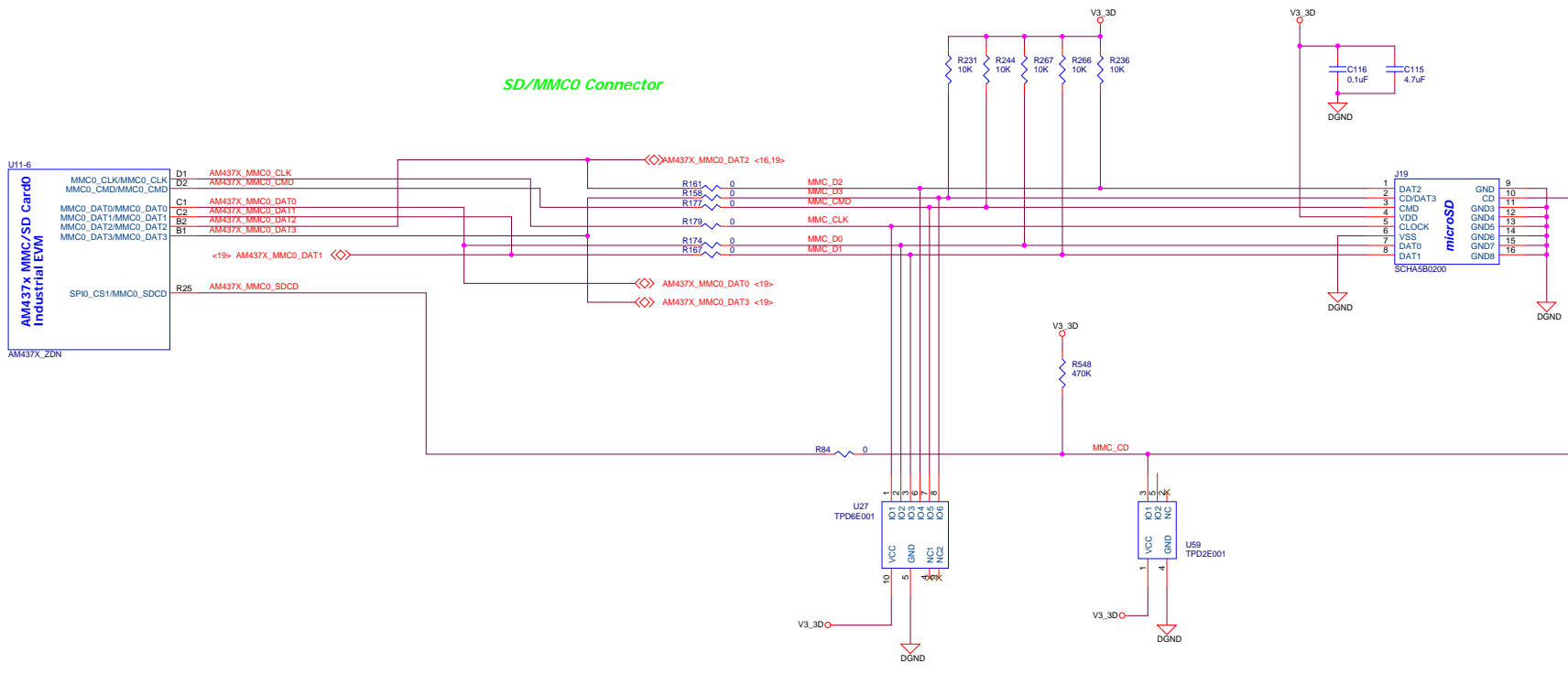
TLK105L

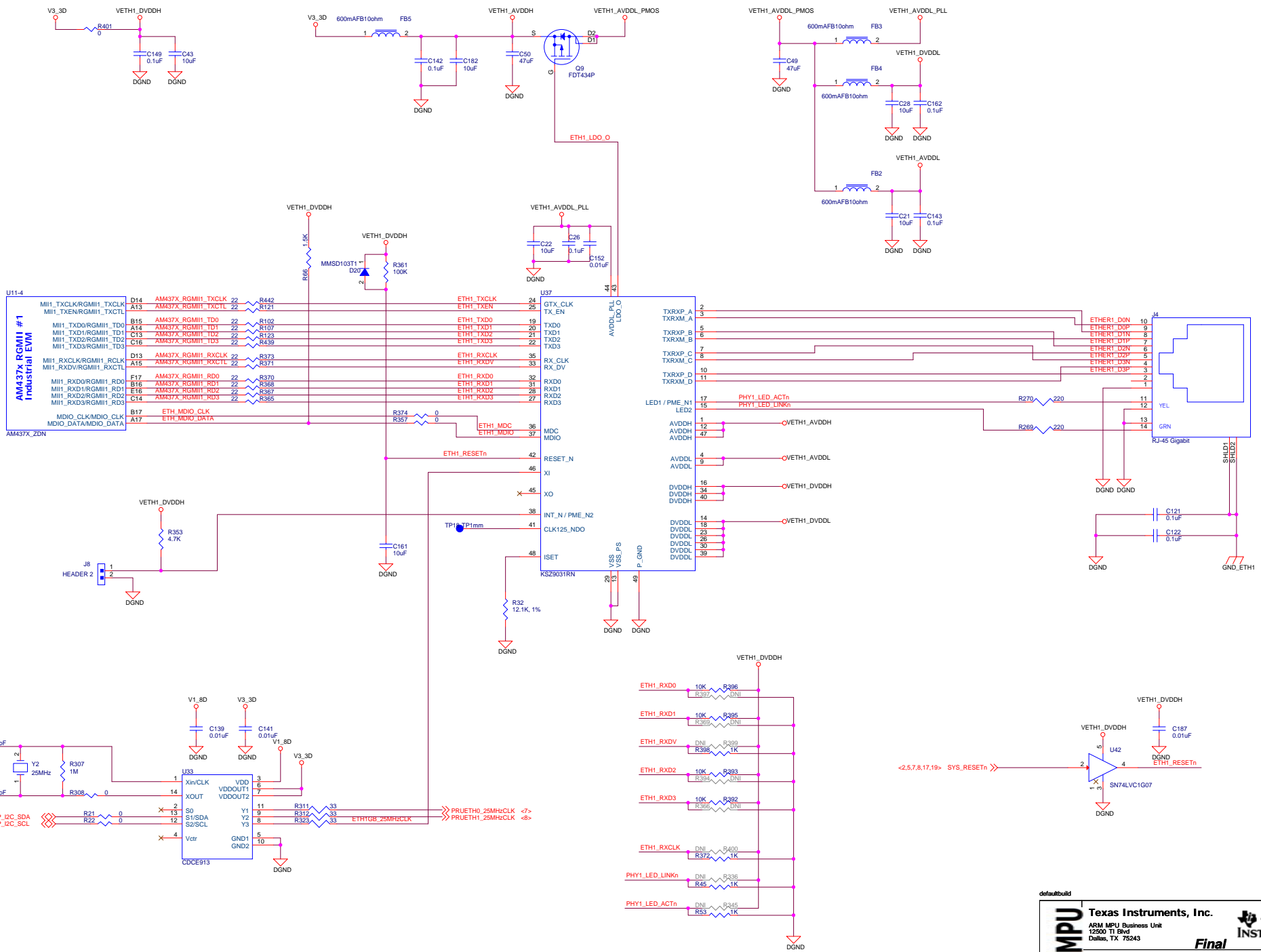
Note: MDIO Address = 0x00

ARM MPU	Texas Instruments, Inc.		TEXAS INSTRUMENTS
	ARM MPU Business Unit 12500 TI Blvd Dallas, TX 75243		
	AM437x Industrial EVM		Final
ICSS #0 Ethernet			
Size	Document Number	Modified By:	Rev
C	am437x_industrial_evm_3k0008.dsn	Damon Domke	1.3A
Date: Friday, August 08, 2014		Sheet: 7 of 20	



ARM MPU	Texas Instruments, Inc.			
	ARM MPU Business Unit 12500 TI Blvd Dallas, TX 75243			
	Final			
	AM437x Industrial EVM EtherCAT			
Size	Document Number	Modified By:	Rev	
C	am437x_industrial_evm_3k0008.dsn	Damon Domke	1.3A	
Date:	Monday, July 21, 2014	Sheet:	9	of 20





defaultbuild

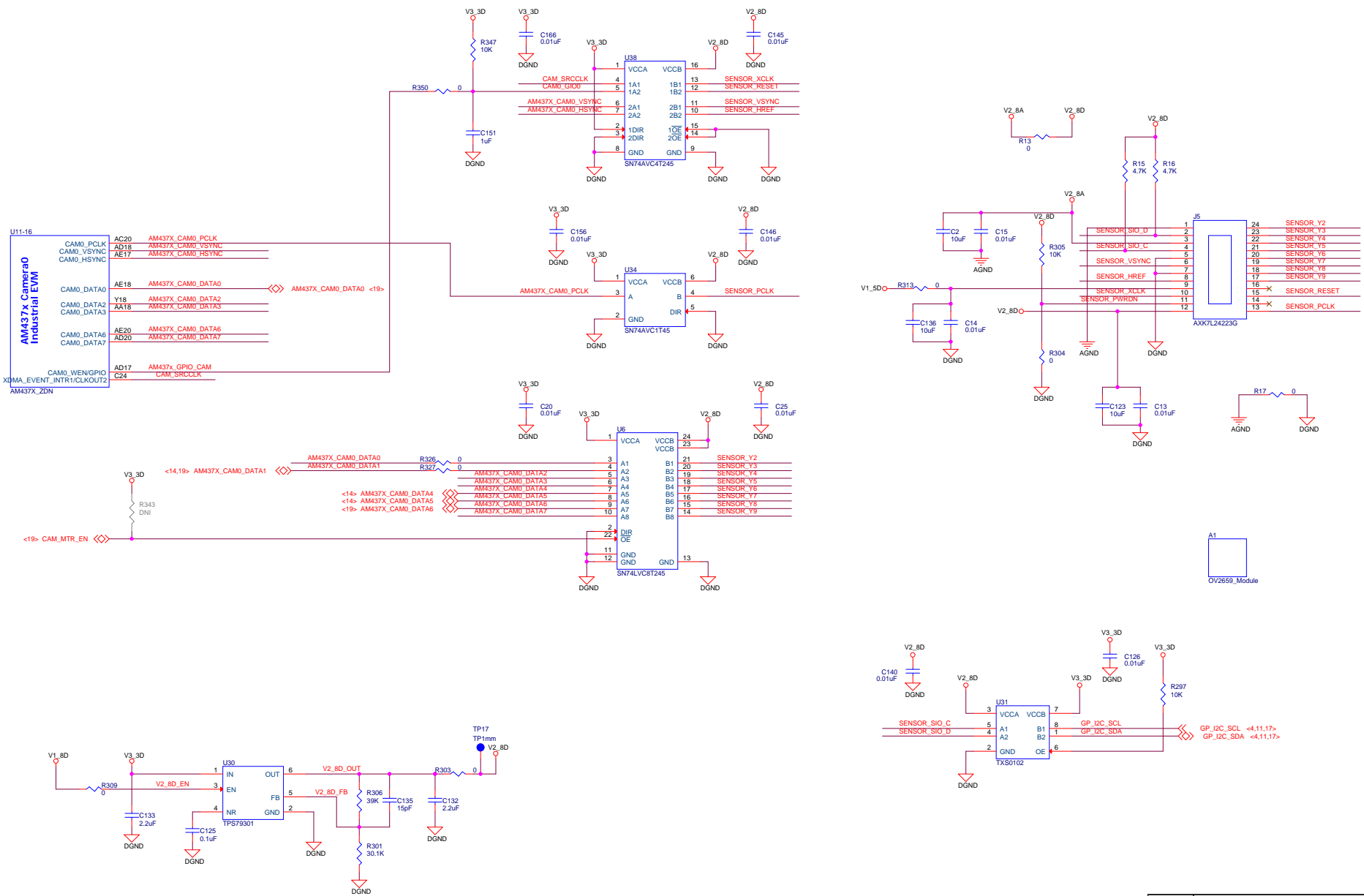
ARM MPU Texas Instruments, Inc. **TEXAS INSTRUMENTS**

ARM MPU Business Unit
12500 TI Blvd
Dallas, TX 75243

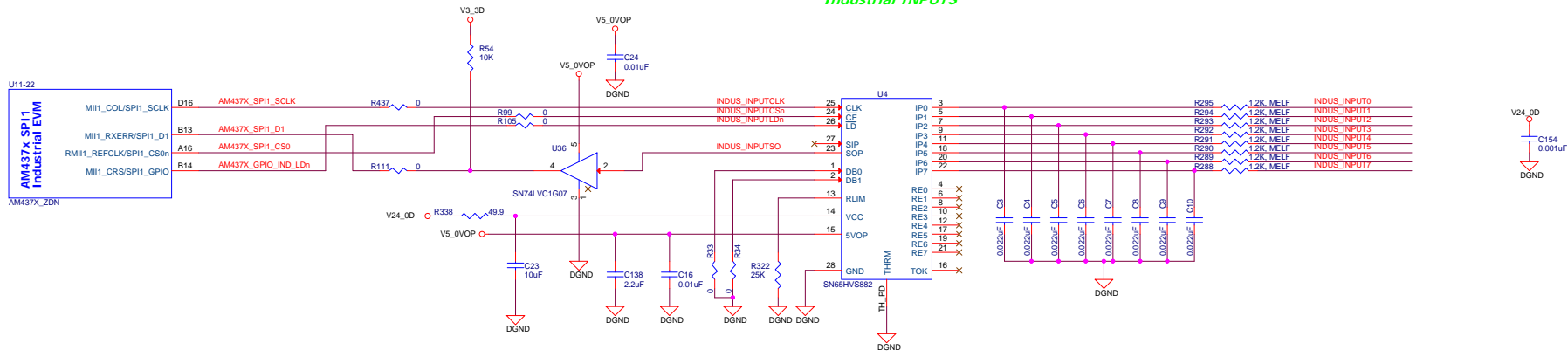
Final

AM437x Industrial EVM
Gigabit Ethernet #1

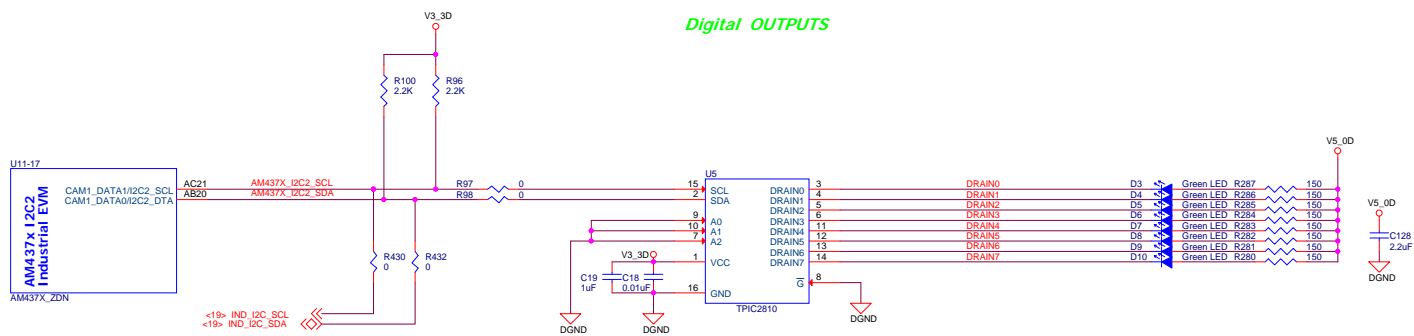
Size	Document Number	Modified By:	Rev
C	am437x_industrial_ewm_3k0008.dsn	Damon Domke	1.3A
Date:	Monday, July 21, 2014	Sheet:	11 of 20



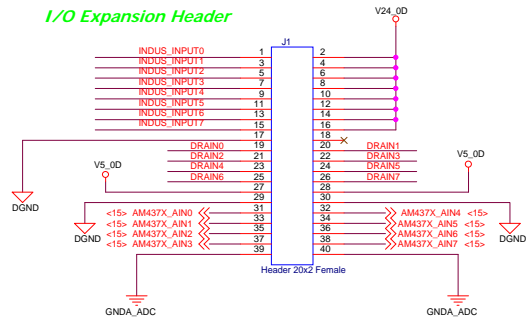
Industrial INPUTS



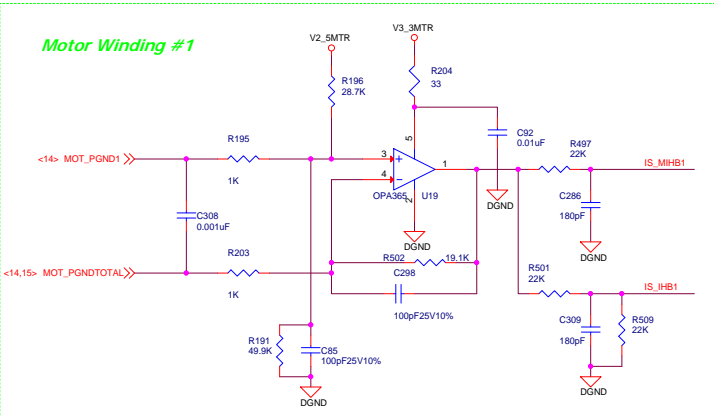
Digital OUTPUTS



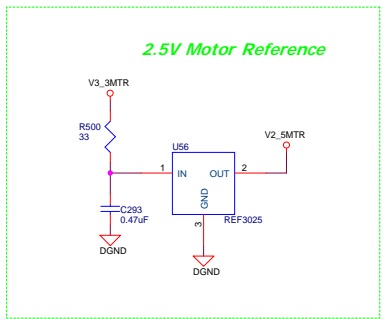
I/O Expansion Header



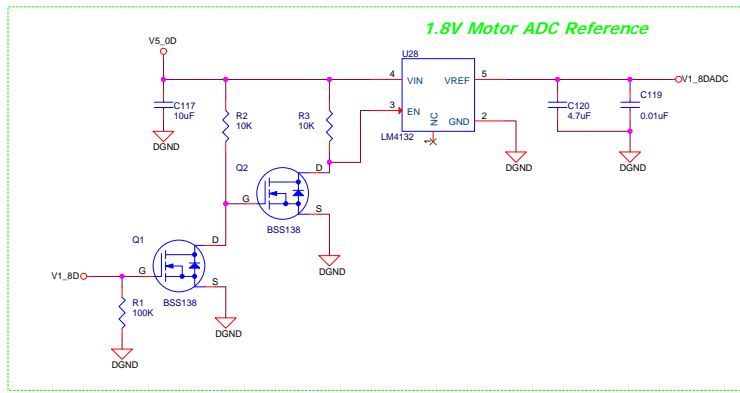
Motor Winding #1



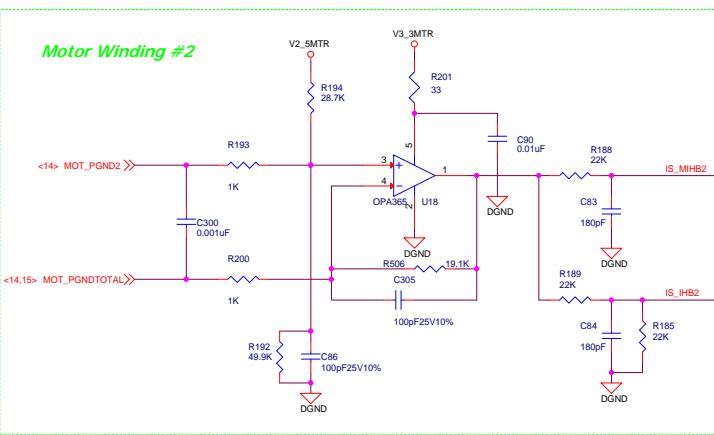
2.5V Motor Reference



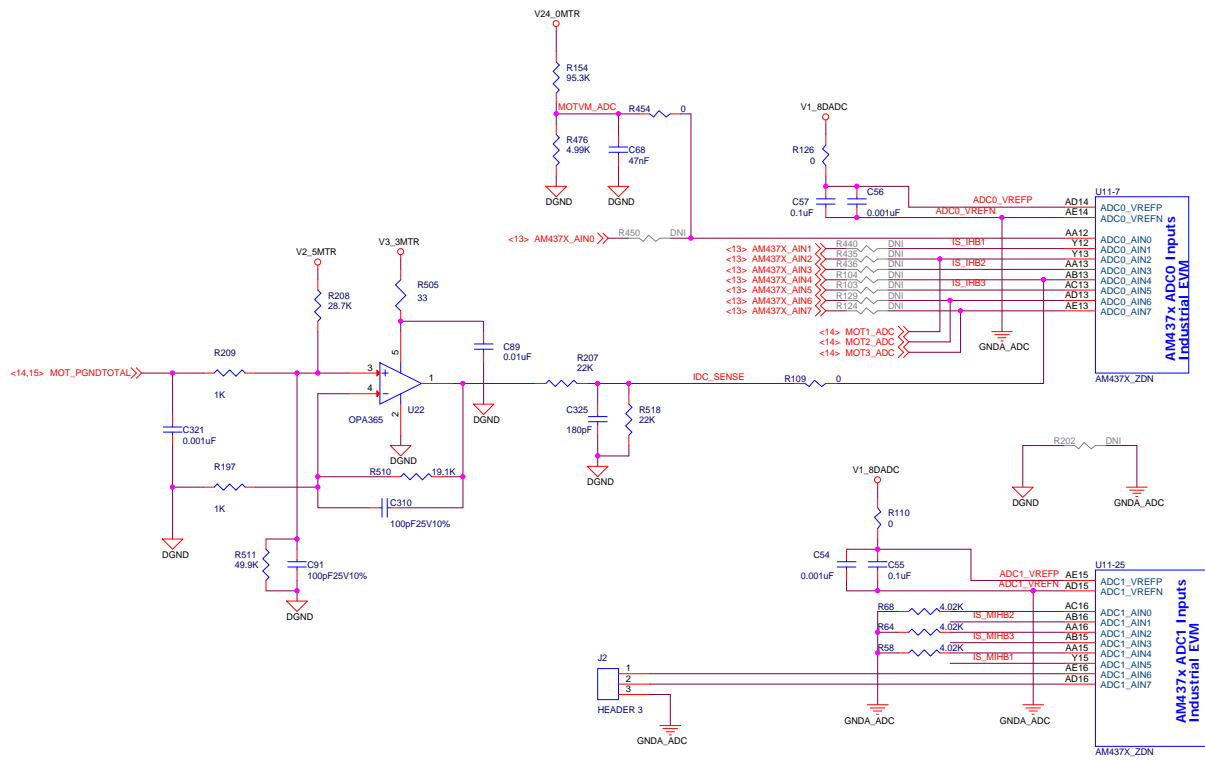
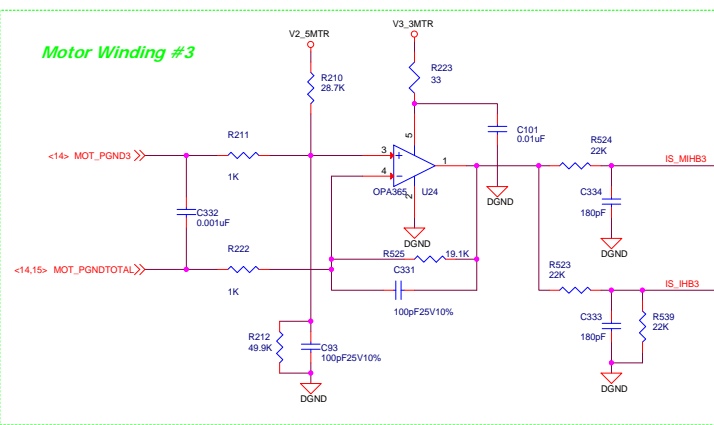
1.8V Motor ADC Reference



Motor Winding #2



Motor Winding #3



ARM MPU Texas Instruments, Inc.
 ARM MPU Business Unit
 12500 TI Blvd
 Dallas, TX 75243

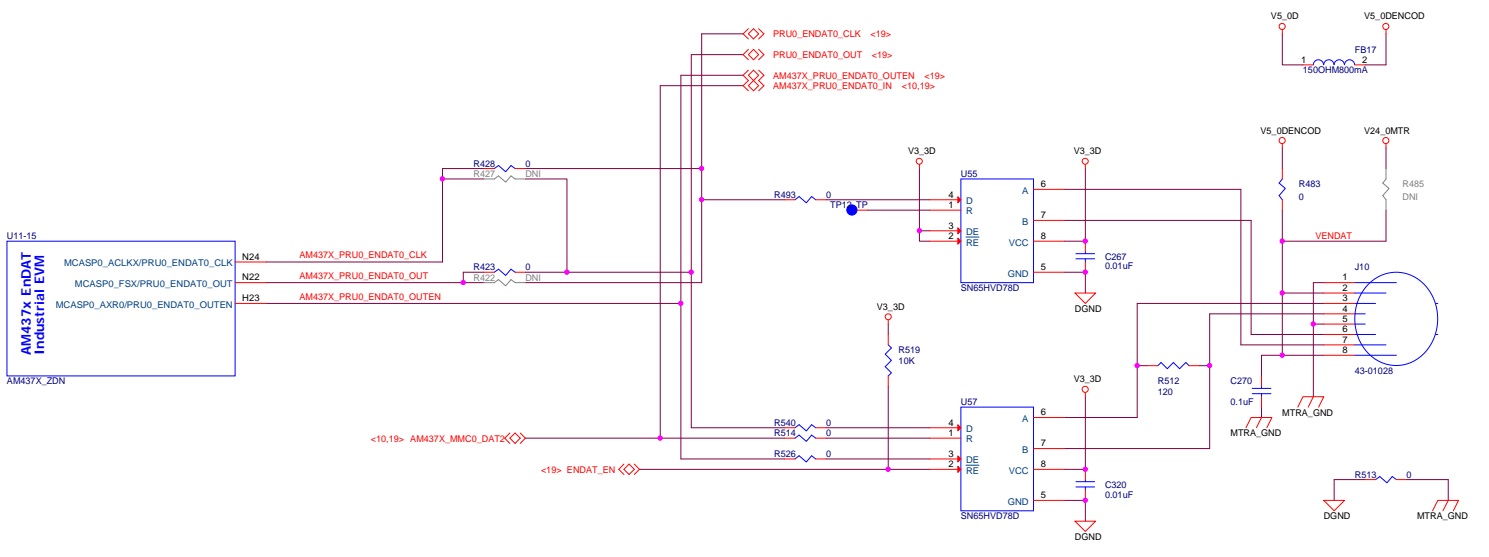
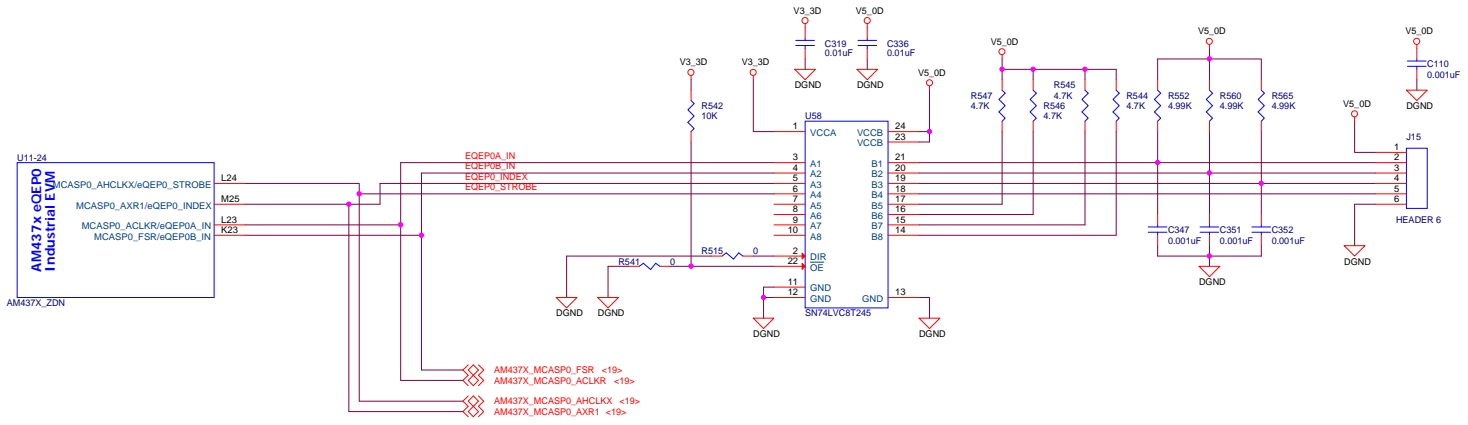
TEXAS INSTRUMENTS

Final


AM437x Industrial EVM
 Motor Sense

Size	Document Number	Modified By:	Rev
C	am437x_industrial_ewm_3k0008.dsn	Damon Domke	1.3A

Date: Friday, August 08, 2014 Sheet: 15 of 20



defaultbuild

ARM MPU **Texas Instruments, Inc.** 

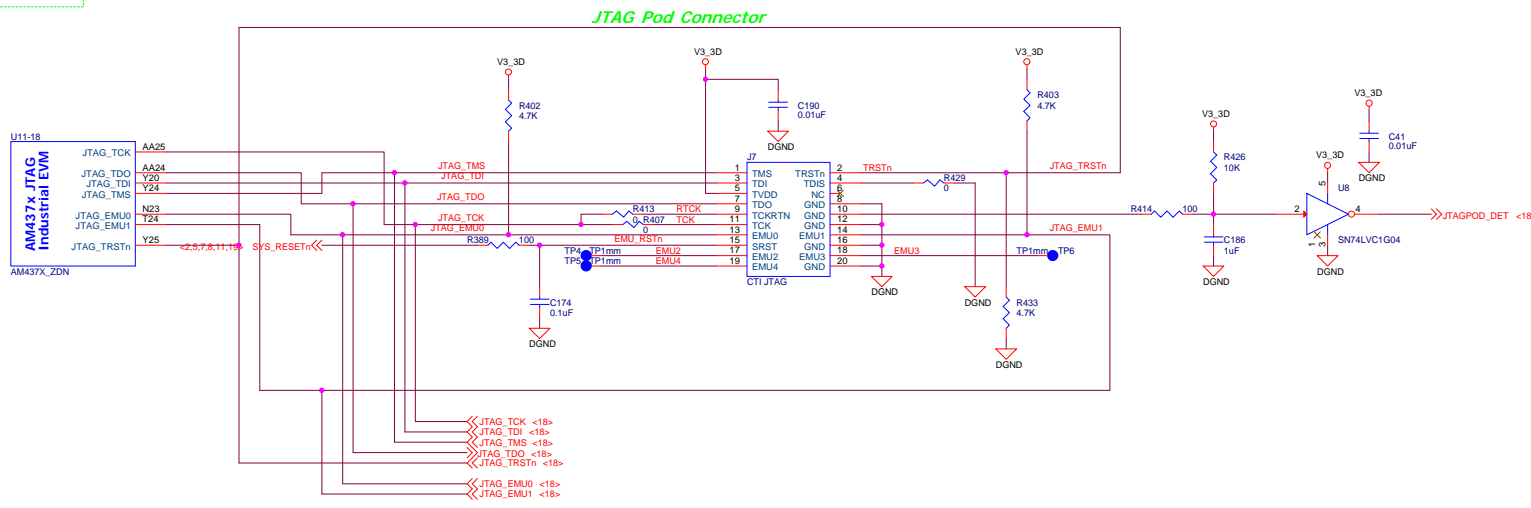
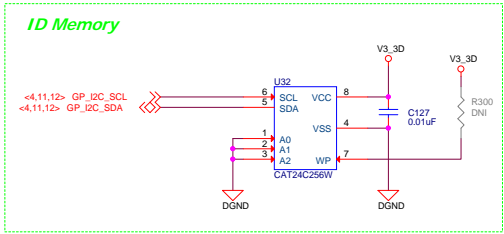
ARM MPU Business Unit
12500 TI Blvd
Dallas, TX 75243

Final

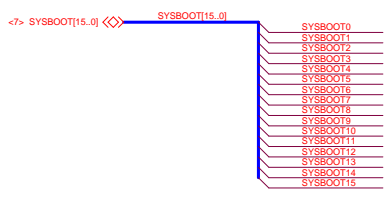
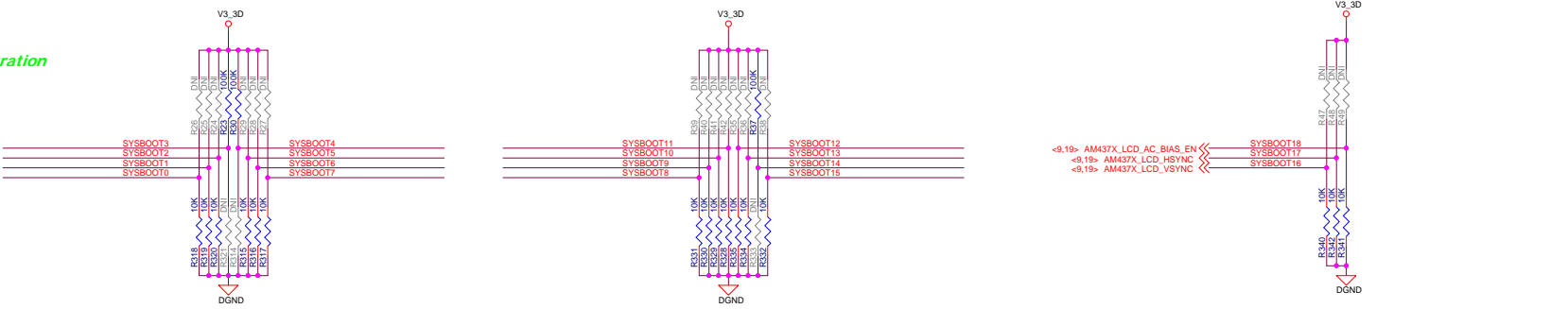
AM437x Industrial EVM
Motor Encoders QEP and EndAT

Size	Document Number	Modified By:	Rev
C	am437x_industrial_ewm_3k0008.dsn	Damon Domke	1.3A

Date: Friday, August 08, 2014 Sheet: 16 of 20



Boot Configuration



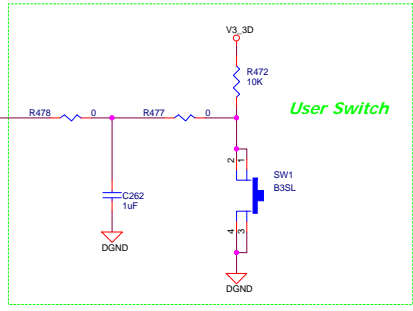
ARM MPU	Texas Instruments, Inc.			
	ARM MPU Business Unit			
	12500 TI Blvd			
	Dallas, TX 75243			
AM437x Industrial EVM				
Debug/Configuration				
Size	Document Number	Modified By:	Rev	
C	am437x_industrial_ewm_3k0008.dsn	Damon Domke	1.3A	
Date:	Friday, August 08, 2014	Sheet:	17 of 20	

U11-23
 AE11 XI_32K
 AE12 NO_SOK
 AE10 PMU_PORZ
 AE7 EXT_WAKEUP1
 AE8 PMIC_POWER_EN1
 AD1 PMU_HBZ
 AD2 TEMP_DIODE_P
 AD1 TEMP_DIODE_N
 AB6 TAMPER_EVENT
 W25 USB0_DP
 W24 USB0_DM
 U24 USB0_CE
 U23 USB0_ID
 U21 USB0_VBUS
 U20 USB0_DRVVBUS
 V24 USB1_DP
 V25 USB1_DM
 U25 USB1_CE
 U26 USB1_ID
 U25 USB1_VBUS
 F25 USB1_DRVVBUS
 AC12 RSV_AC12
 AC10 RSV_AC10
 AB10 RSV_AB10
 AA10 RSV_AA10
 AA9 RSV_AA9
 Y10 RSV_Y10
 AC9 RSV_AC9
 Y7 RSV_Y7
 AA7 RSV_AA7
 AC8 RSV_AA7
 ACS RSV_ACS
 AB7 RSV_AC5
 RSV_AB7
 AD10 RSV_AD10
 AD11 RSV_AD11
 AB9 RSV_AB9
 W10 RSV_W10
 AC7 RSV_W10
 Y6 RSV_AC7
 AE9 RSV_Y6
 AE9 RSV_AE9
 HT9 RSV_H19

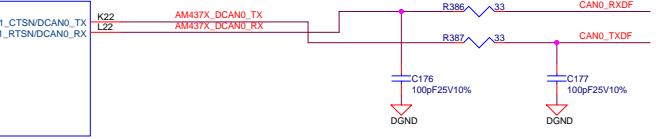
AM437x GPIO & Unused Pins Industrial EVM

CAM0_FIELD CAM1_WEN
 CAM1_DATA3 CAM1_DATA4
 CAM1_DATA5 CAM1_DATA6
 CAM1_DATA7 CAM1_DATA8
 CAM1_DATA9
 LCD_D6
 LCD_D7
 LCD_PCLK
 LCD_VSYNC
 LCD_HSYNC
 LCD_AC_BIAS_EN
 F24 AM437X_LCD_DATA6
 E19 AM437X_LCD_DATA7
 B23 AM437X_LCD_VSYNC
 A23 AM437X_LCD_HSYNC
 A24 AM437X_LCD_AC_BIAS_EN
 F24 AM437X_LCD_DATA6
 E19 AM437X_LCD_DATA7
 B23 AM437X_LCD_VSYNC
 A23 AM437X_LCD_HSYNC
 A24 AM437X_LCD_AC_BIAS_EN
 GPIO5_9
 GPIO5_12
 AD25 AM437X_SD_CLKOUT
 AE21 AM437X_SD_DATA_IN1
 P25 AM437X_eHRPWM0_SYNC1
 P24
 D11 AM437X_eHRPWM0_SYNC0
 P20
 T23
 R24 SYNC1
 G24
 M24 AM437X_MCASPO_AHCLKR
 B6
 GPICM_AD0
 GPICM_AD1
 GPICM_AD2
 GPICM_AD3
 GPICM_AD4
 GPICM_AD5
 GPICM_AD6
 GPICM_AD7
 B10 AM437X_eHRPWM2A
 A10 AM437X_eHRPWM2B
 B9
 F10
 GPMIC_CSN2/PR1_EDIO_DATA6
 GPMIC_CSN2/PR1_EDIO_DATA7
 GPMIC_WAIT0
 CAM0_DATA8
 CAM0_DATA9
 AC18
 AB25
 AD21
 AE22 AM437X_CAM1_DATA3
 AD22 AM437X_CAM1_DATA4
 AE23 AM437X_CAM1_DATA5
 AD24 AM437X_CAM1_DATA6
 AC24
 AM437X_CAM1_WEN <-8>
 AM437X_CAM1_DATA2 <-8>
 AM437X_CAM1_DATA7 <-7,8>
 AM437X_LCD_DATA6 <-7>
 AM437X_LCD_DATA7 <-7>
 AM437X_LCD_PCLK <-8>
 AM437X_LCD_HSYNC <-9,17>
 AM437X_LCD_HSYNC <-9,17>
 AM437X_LCD_AC_BIAS_EN <-9,17>
 ENDAT_EN <-16>
 R73
 R388
 R74
 R73
 R74
 R73
 R74
 PR1_EDIO_DATA6 <-7>
 PR1_EDIO_DATA7 <-7>
 CAM_MTR_EN <-12>
 CAM_MTR_EN <-12>

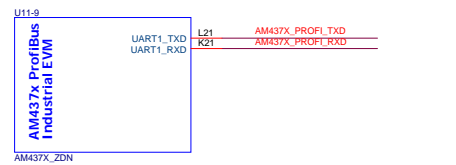
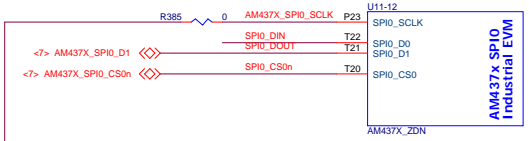
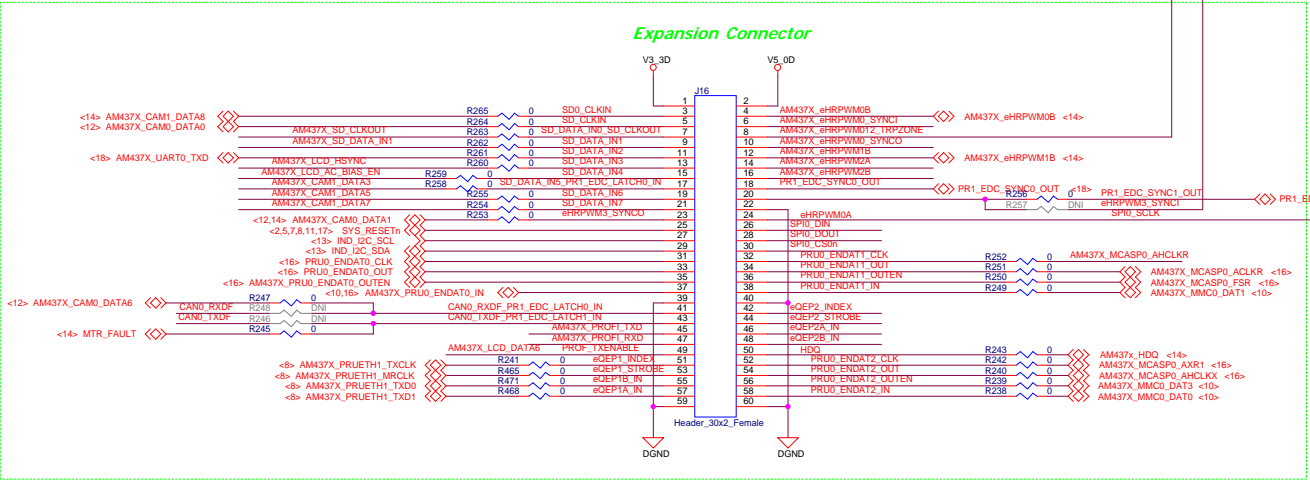
AM437X_ZDN



U11-14
 AM437x DCAN0 Industrial EVM
 AM437X_ZDN



Expansion Connector



U11-9
 AM437x ProfIBus Industrial EVM
 AM437X_ZDN

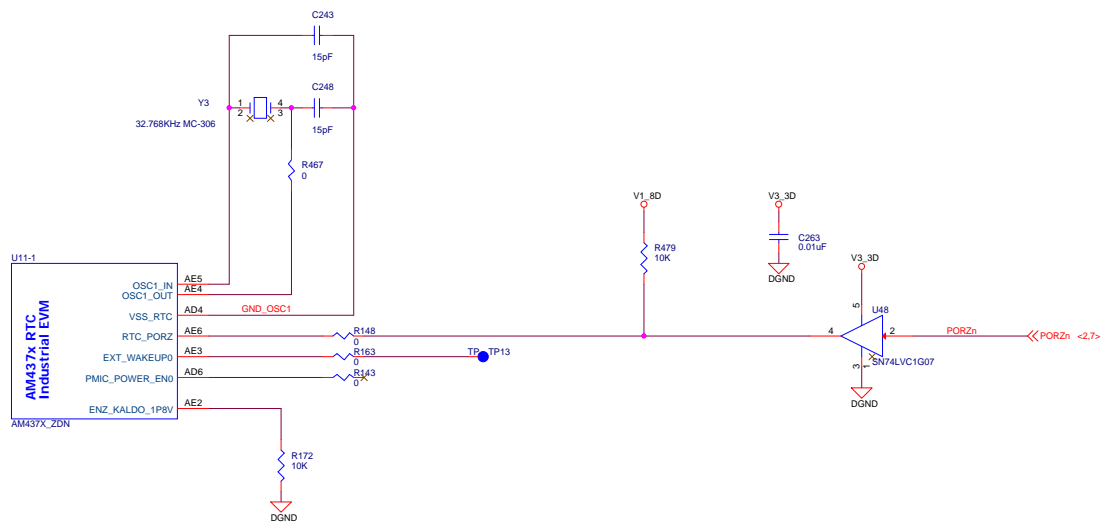
ARM MPU Texas Instruments, Inc. ARM MPU Business Unit 12500 TI Blvd Dallas, TX 75243

Final TEXAS INSTRUMENTS

AM437x Industrial EVM
 Expansion

Size	Document Number	Modified By:	Rev
C	am437x_industrial_ewm_3k0008.dsn	Damon Domke	1.3A

Date: Friday, August 08, 2014 Sheet: 19 of 20



IMPORTANT NOTICE FOR TI REFERENCE DESIGNS

Texas Instruments Incorporated ("TI") reference designs are solely intended to assist designers ("Buyers") who are developing systems that incorporate TI semiconductor products (also referred to herein as "components"). Buyer understands and agrees that Buyer remains responsible for using its independent analysis, evaluation and judgment in designing Buyer's systems and products.

TI reference designs have been created using standard laboratory conditions and engineering practices. **TI has not conducted any testing other than that specifically described in the published documentation for a particular reference design.** TI may make corrections, enhancements, improvements and other changes to its reference designs.

Buyers are authorized to use TI reference designs with the TI component(s) identified in each particular reference design and to modify the reference design in the development of their end products. HOWEVER, NO OTHER LICENSE, EXPRESS OR IMPLIED, BY ESTOPPEL OR OTHERWISE TO ANY OTHER TI INTELLECTUAL PROPERTY RIGHT, AND NO LICENSE TO ANY THIRD PARTY TECHNOLOGY OR INTELLECTUAL PROPERTY RIGHT, IS GRANTED HEREIN, including but not limited to any patent right, copyright, mask work right, or other intellectual property right relating to any combination, machine, or process in which TI components or services are used. Information published by TI regarding third-party products or services does not constitute a license to use such products or services, or a warranty or endorsement thereof. Use of such information may require a license from a third party under the patents or other intellectual property of the third party, or a license from TI under the patents or other intellectual property of TI.

TI REFERENCE DESIGNS ARE PROVIDED "AS IS". TI MAKES NO WARRANTIES OR REPRESENTATIONS WITH REGARD TO THE REFERENCE DESIGNS OR USE OF THE REFERENCE DESIGNS, EXPRESS, IMPLIED OR STATUTORY, INCLUDING ACCURACY OR COMPLETENESS. TI DISCLAIMS ANY WARRANTY OF TITLE AND ANY IMPLIED WARRANTIES OF MERCHANTABILITY, FITNESS FOR A PARTICULAR PURPOSE, QUIET ENJOYMENT, QUIET POSSESSION, AND NON-INFRINGEMENT OF ANY THIRD PARTY INTELLECTUAL PROPERTY RIGHTS WITH REGARD TO TI REFERENCE DESIGNS OR USE THEREOF. TI SHALL NOT BE LIABLE FOR AND SHALL NOT DEFEND OR INDEMNIFY BUYERS AGAINST ANY THIRD PARTY INFRINGEMENT CLAIM THAT RELATES TO OR IS BASED ON A COMBINATION OF COMPONENTS PROVIDED IN A TI REFERENCE DESIGN. IN NO EVENT SHALL TI BE LIABLE FOR ANY ACTUAL, SPECIAL, INCIDENTAL, CONSEQUENTIAL OR INDIRECT DAMAGES, HOWEVER CAUSED, ON ANY THEORY OF LIABILITY AND WHETHER OR NOT TI HAS BEEN ADVISED OF THE POSSIBILITY OF SUCH DAMAGES, ARISING IN ANY WAY OUT OF TI REFERENCE DESIGNS OR BUYER'S USE OF TI REFERENCE DESIGNS.

TI reserves the right to make corrections, enhancements, improvements and other changes to its semiconductor products and services per JESD46, latest issue, and to discontinue any product or service per JESD48, latest issue. Buyers should obtain the latest relevant information before placing orders and should verify that such information is current and complete. All semiconductor products are sold subject to TI's terms and conditions of sale supplied at the time of order acknowledgment.

TI warrants performance of its components to the specifications applicable at the time of sale, in accordance with the warranty in TI's terms and conditions of sale of semiconductor products. Testing and other quality control techniques for TI components are used to the extent TI deems necessary to support this warranty. Except where mandated by applicable law, testing of all parameters of each component is not necessarily performed.

TI assumes no liability for applications assistance or the design of Buyers' products. Buyers are responsible for their products and applications using TI components. To minimize the risks associated with Buyers' products and applications, Buyers should provide adequate design and operating safeguards.

Reproduction of significant portions of TI information in TI data books, data sheets or reference designs is permissible only if reproduction is without alteration and is accompanied by all associated warranties, conditions, limitations, and notices. TI is not responsible or liable for such altered documentation. Information of third parties may be subject to additional restrictions.

Buyer acknowledges and agrees that it is solely responsible for compliance with all legal, regulatory and safety-related requirements concerning its products, and any use of TI components in its applications, notwithstanding any applications-related information or support that may be provided by TI. Buyer represents and agrees that it has all the necessary expertise to create and implement safeguards that anticipate dangerous failures, monitor failures and their consequences, lessen the likelihood of dangerous failures and take appropriate remedial actions. Buyer will fully indemnify TI and its representatives against any damages arising out of the use of any TI components in Buyer's safety-critical applications.

In some cases, TI components may be promoted specifically to facilitate safety-related applications. With such components, TI's goal is to help enable customers to design and create their own end-product solutions that meet applicable functional safety standards and requirements. Nonetheless, such components are subject to these terms.

No TI components are authorized for use in FDA Class III (or similar life-critical medical equipment) unless authorized officers of the parties have executed an agreement specifically governing such use.

Only those TI components that TI has specifically designated as military grade or "enhanced plastic" are designed and intended for use in military/aerospace applications or environments. Buyer acknowledges and agrees that any military or aerospace use of TI components that have **not** been so designated is solely at Buyer's risk, and Buyer is solely responsible for compliance with all legal and regulatory requirements in connection with such use.

TI has specifically designated certain components as meeting ISO/TS16949 requirements, mainly for automotive use. In any case of use of non-designated products, TI will not be responsible for any failure to meet ISO/TS16949.