
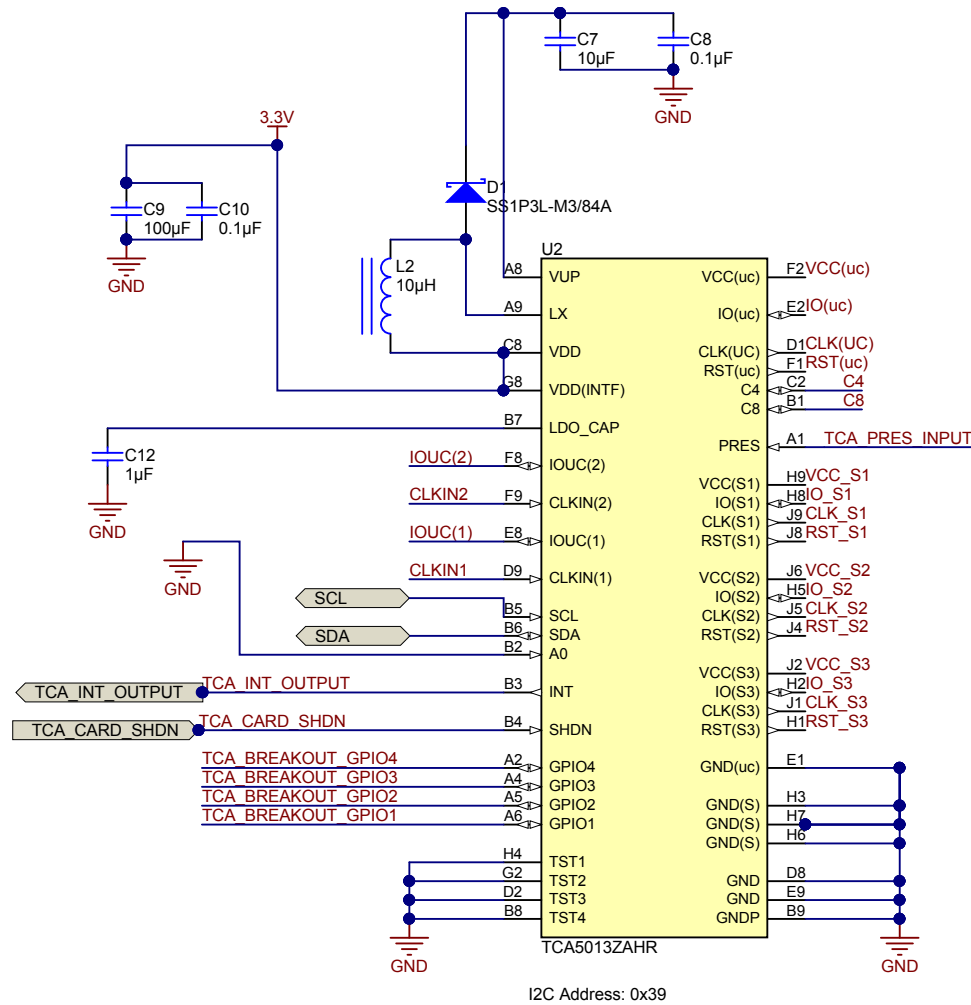
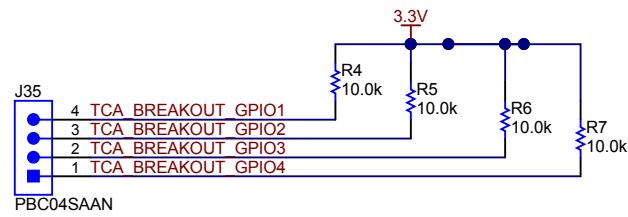
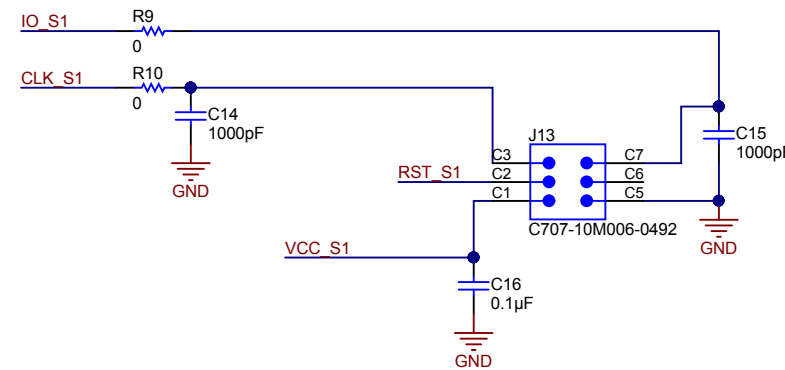
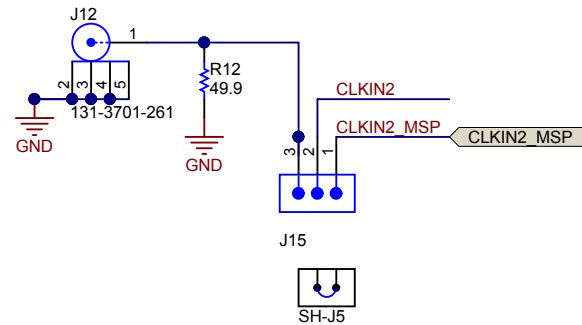
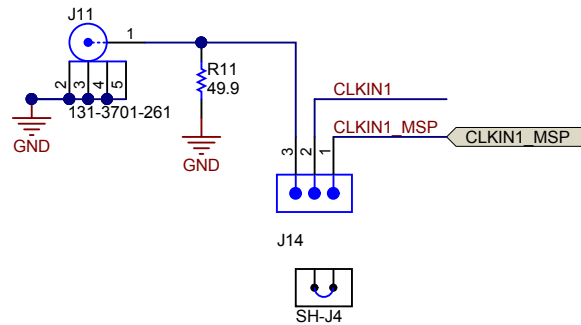
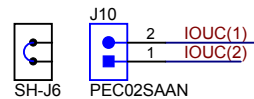
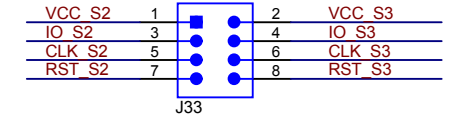
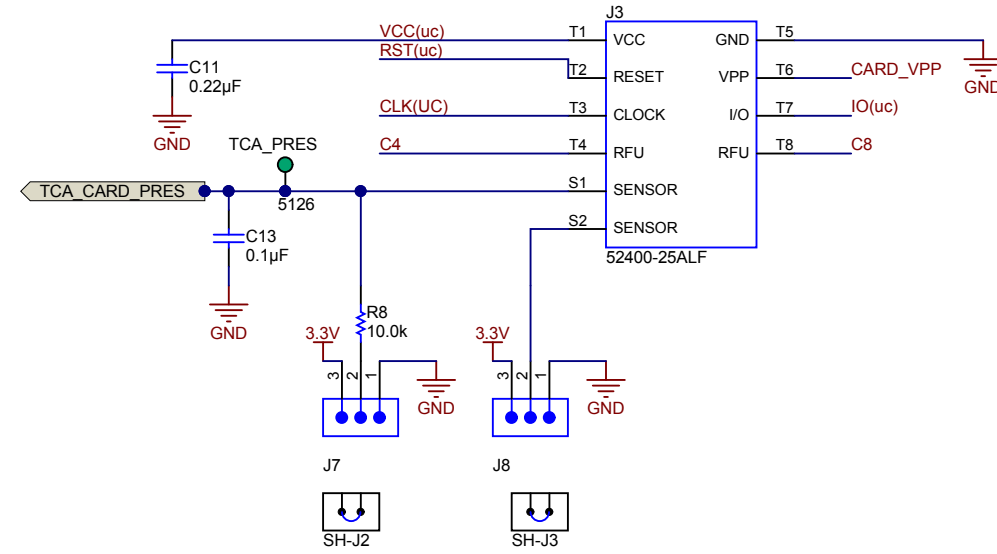
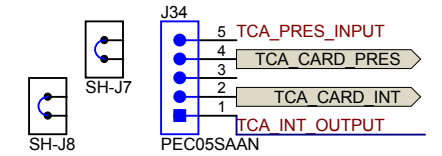


Texas Instruments and/or its licensors do not warrant the accuracy or completeness of this specification or any information contained therein. Texas Instruments and/or its licensors do not warrant that this design will meet the specifications, will be suitable for your application or fit for any particular purpose, or will operate in an implementation. Texas Instruments and/or its licensors do not warrant that the design is production worthy. You should completely validate and test your design implementation to confirm the system functionality for your application.

Orderable: N/A	Designed for: Public Release	Mod. Date: 4/27/2016	 http://www.ti.com
TID #: 00818	Project Title: TIDA-00818	Sheet: 1 of 10	
Number: TIDA-00818	Rev: E1	Assembly Variant: [No Variations]	Size: B
SVN Rev: Version control disabled	File: TIDA-00818 3.3V Rail.SchDoc	Contact: http://www.ti.com/support	© Texas Instruments 2016
Drawn By:	Engineer: Oscar Yu		



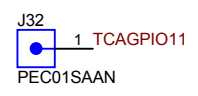
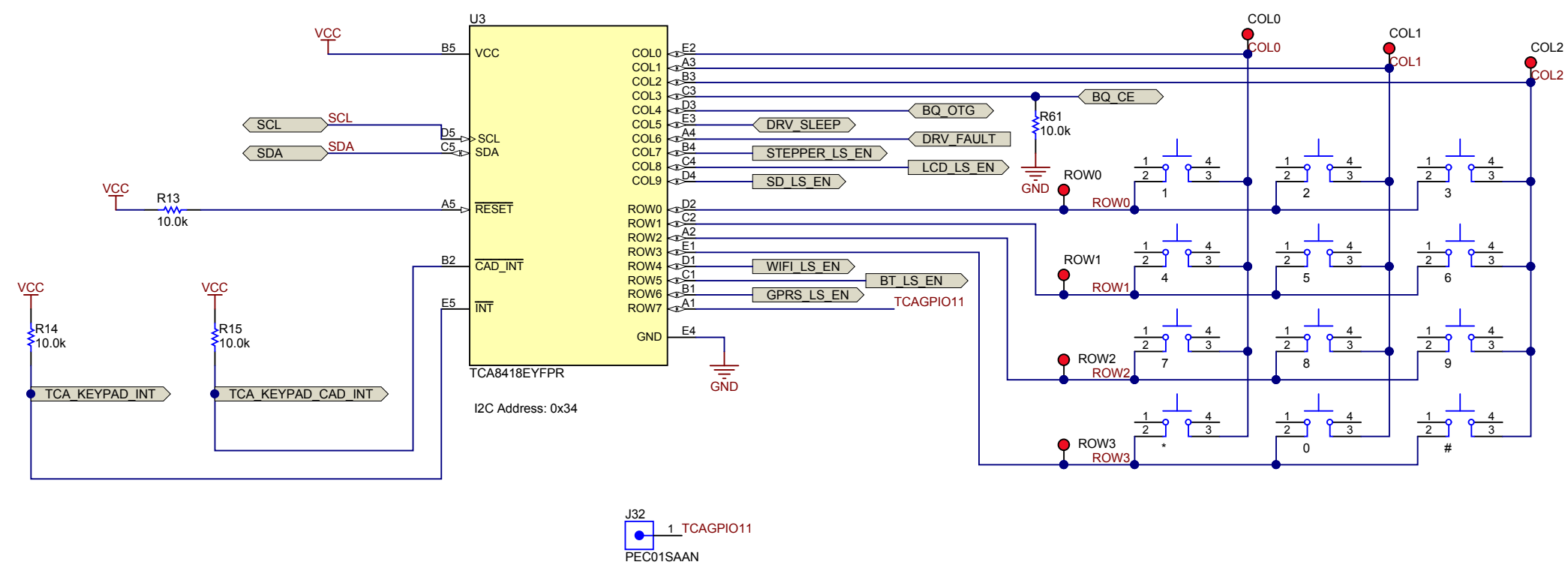
I2C Address: 0x39



Texas Instruments and/or its licensors do not warrant the accuracy or completeness of this specification or any information contained therein. Texas Instruments and/or its licensors do not warrant that this design will meet the specifications, will be suitable for your application or fit for any particular purpose, or will operate in an implementation. Texas Instruments and/or its licensors do not warrant that the design is production worthy. You should completely validate and test your design implementation to confirm the system functionality for your application.

Orderable: N/A	Designed for: Public Release	Mod. Date: 6/20/2016
TID #: 00818	Project Title: TIDA-00818	
Number: TIDA-00818	Rev: E1	Sheet Title:
SVN Rev: Version control disabled	Assembly Variant: [No Variations]	Sheet: 2 of 10
Drawn By:	File: TIDA-00818 Card Reader.SchDoc	Size: B
Engineer: Oscar Yu	Contact: <a href="http://www.ti.com/support">http://www.ti.com/support</a>	

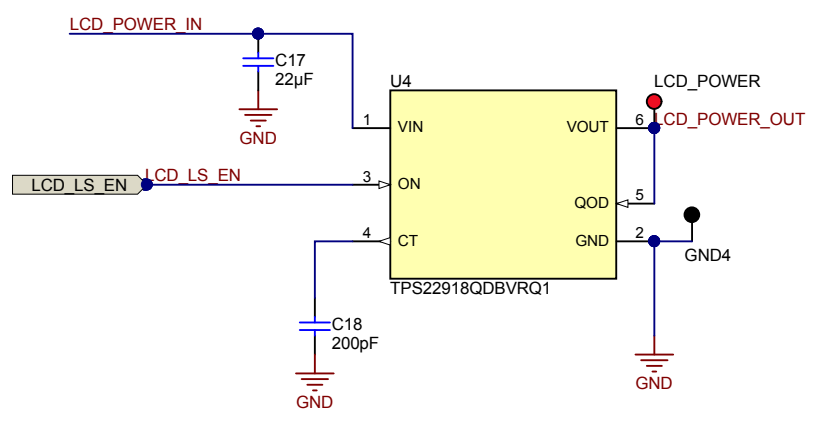
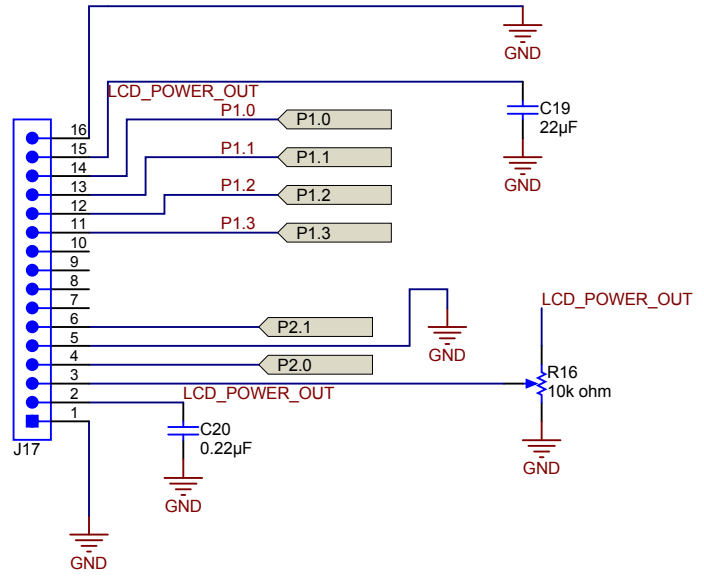
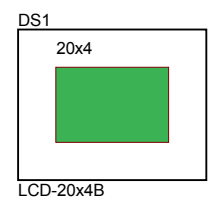
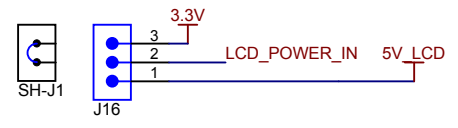




Texas Instruments and/or its licensors do not warrant the accuracy or completeness of this specification or any information contained therein. Texas Instruments and/or its licensors do not warrant that this design will meet the specifications, will be suitable for your application or fit for any particular purpose, or will operate in an implementation. Texas Instruments and/or its licensors do not warrant that the design is production worthy. You should completely validate and test your design implementation to confirm the system functionality for your application.

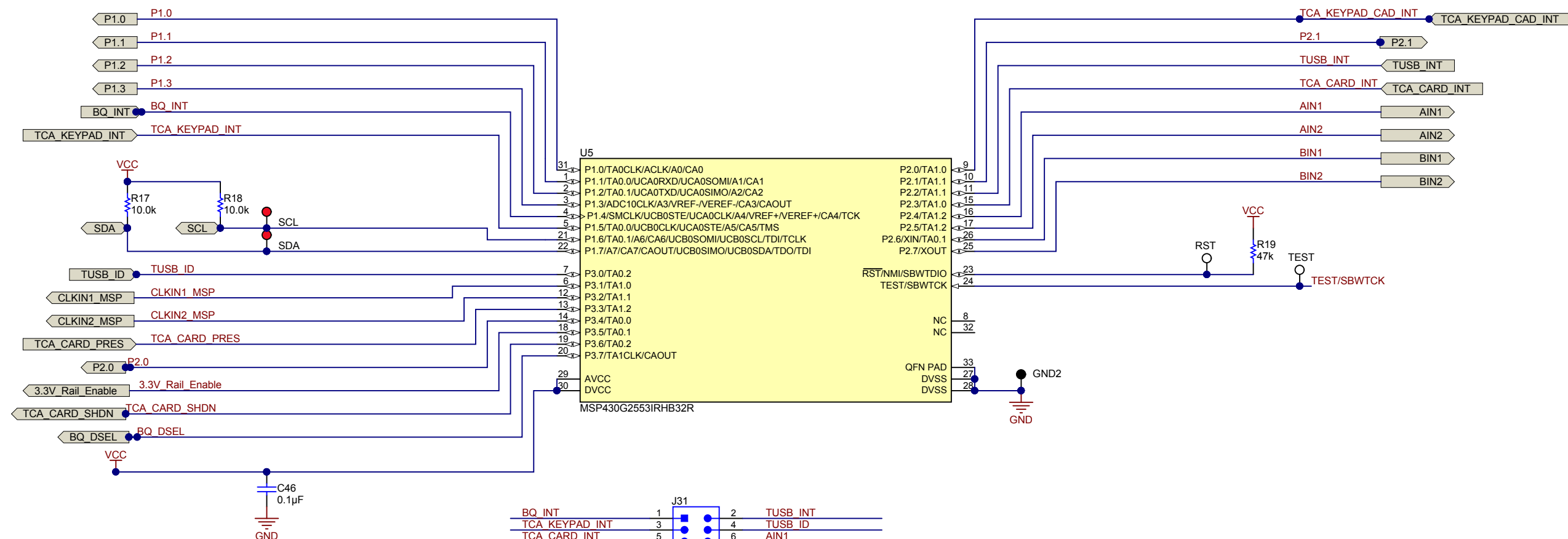
Orderable: N/A	Designed for: Public Release	Mod. Date: 4/27/2016
TID #: 00818	Project Title: TIDA-00818	
Number: TIDA-00818	Rev: E1	Sheet Title:
SVN Rev: Version control disabled	Assembly Variant: [No Variations]	Sheet: 3 of 10
Drawn By:	File: TIDA-00818 Keypad.SchDoc	Size: B
Engineer: Oscar Yu	Contact: <a href="http://www.ti.com/support">http://www.ti.com/support</a>	





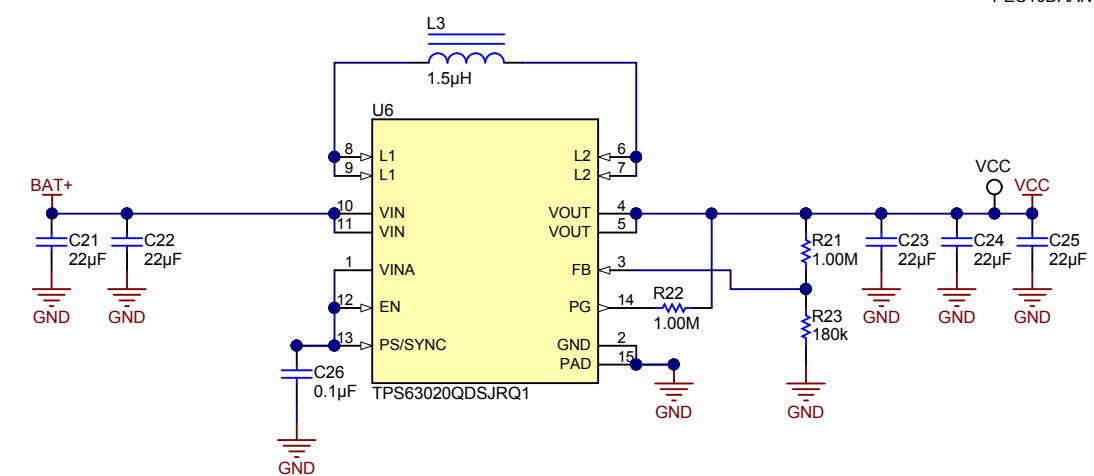
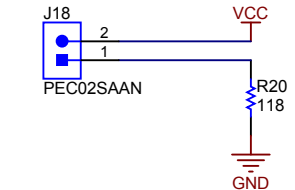
Texas Instruments and/or its licensors do not warrant the accuracy or completeness of this specification or any information contained therein. Texas Instruments and/or its licensors do not warrant that this design will meet the specifications, will be suitable for your application or fit for any particular purpose, or will operate in an implementation. Texas Instruments and/or its licensors do not warrant that the design is production worthy. You should completely validate and test your design implementation to confirm the system functionality for your application.

Orderable: N/A	Designed for: Public Release	Mod. Date: 4/27/2016	
TID #: 00818	Project Title: TIDA-00818	Sheet: 4 of 10	
Number: TIDA-00818	Rev: E1	Assembly Variant: [No Variations]	Size: B
SVN Rev: Version control disabled	File: TIDA-00818_LCD.SchDoc	Engineer: Oscar Yu	Contact: <a href="http://www.ti.com/support">http://www.ti.com/support</a>
© Texas Instruments 2016			



BQ_INT	1	J31	2	TUSB_INT
TCA_KEYPAD_INT	3	J31	4	TUSB_ID
TCA_CARD_INT	5	J31	6	AIN1
	7	J31	8	AIN2
	9	J31	10	BIN1
TCA_CARD_PRES	11	J31	12	BIN2
TCA_KEYPAD_CAD_INT	13	J31	14	TEST/SBWTCK
3.3V_Rail_Enable	15	J31	16	
TCA_CARD_SHDN	17	J31	18	
BQ_DSEL	19	J31	20	

VCC breakout for external loads, or enable 28mA pseudo-Sitara processor load



Texas Instruments and/or its licensors do not warrant the accuracy or completeness of this specification or any information contained therein. Texas Instruments and/or its licensors do not warrant that this design will meet the specifications, will be suitable for your application or fit for any particular purpose, or will operate in an implementation. Texas Instruments and/or its licensors do not warrant that the design is production worthy. You should completely validate and test your design implementation to confirm the system functionality for your application.

Orderable: N/A	Designed for: Public Release	Mod. Date: 6/20/2016
TID #: 00818	Project Title: TIDA-00818	
Number: TIDA-00818	Rev: E1	Sheet Title:
SVN Rev: Version control disabled	Assembly Variant: [No Variations]	Sheet: 5 of 10
Drawn By:	File: TIDA-00818 MSP430.SchDoc	Size: B
Engineer: Oscar Yu	Contact: <a href="http://www.ti.com/support">http://www.ti.com/support</a>	



A

B

C

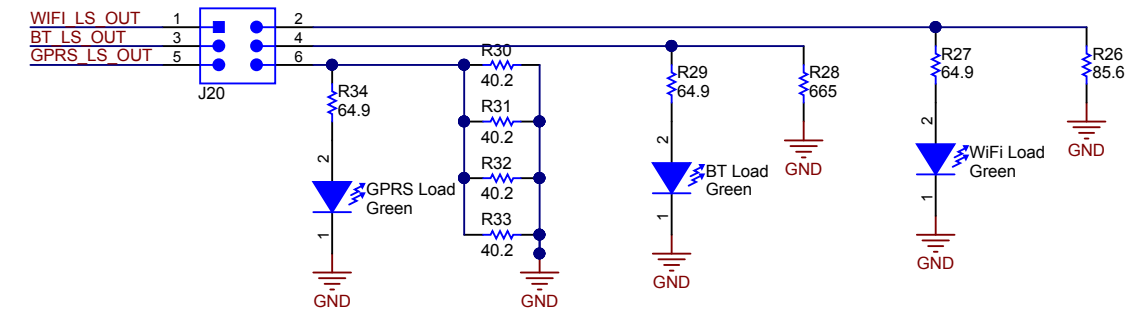
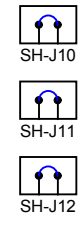
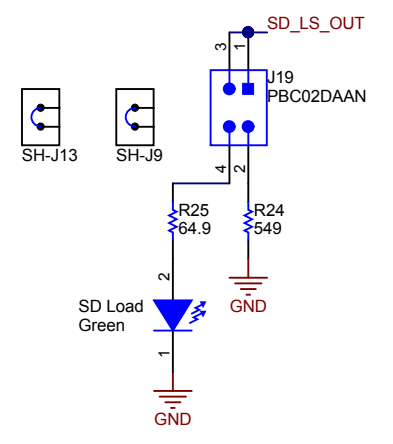
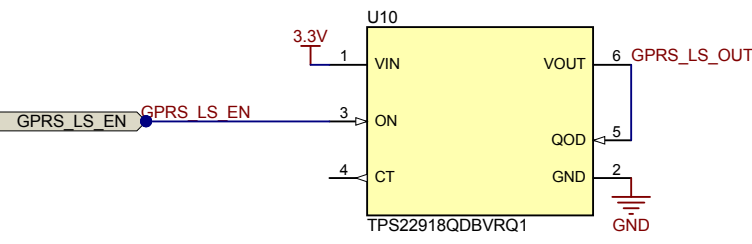
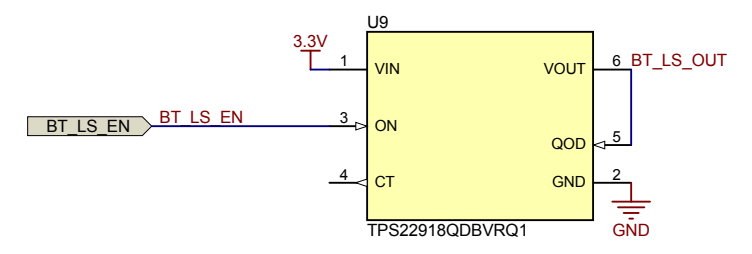
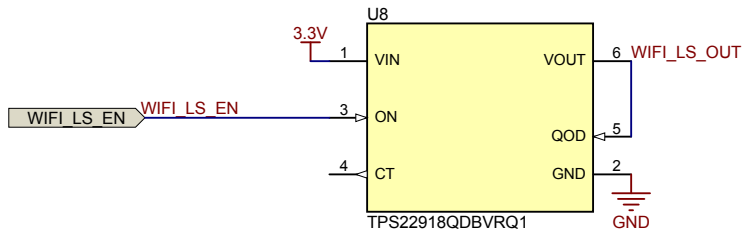
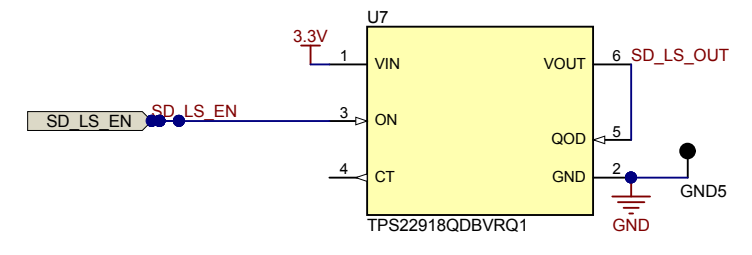
D

A

B

C

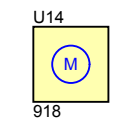
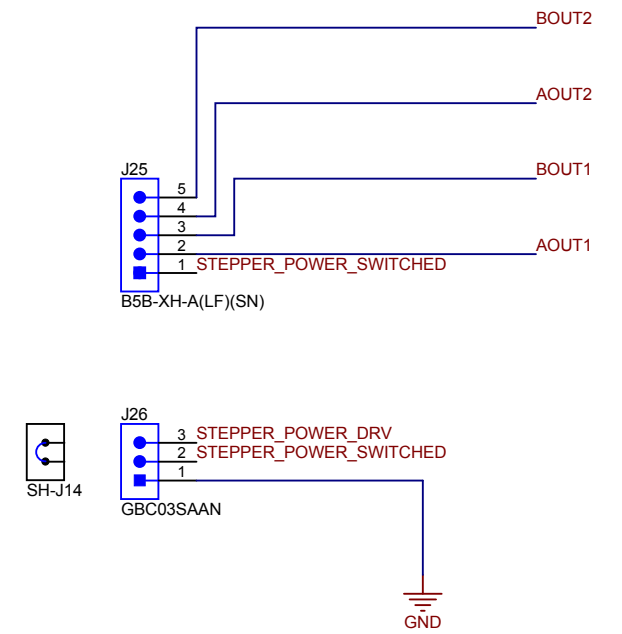
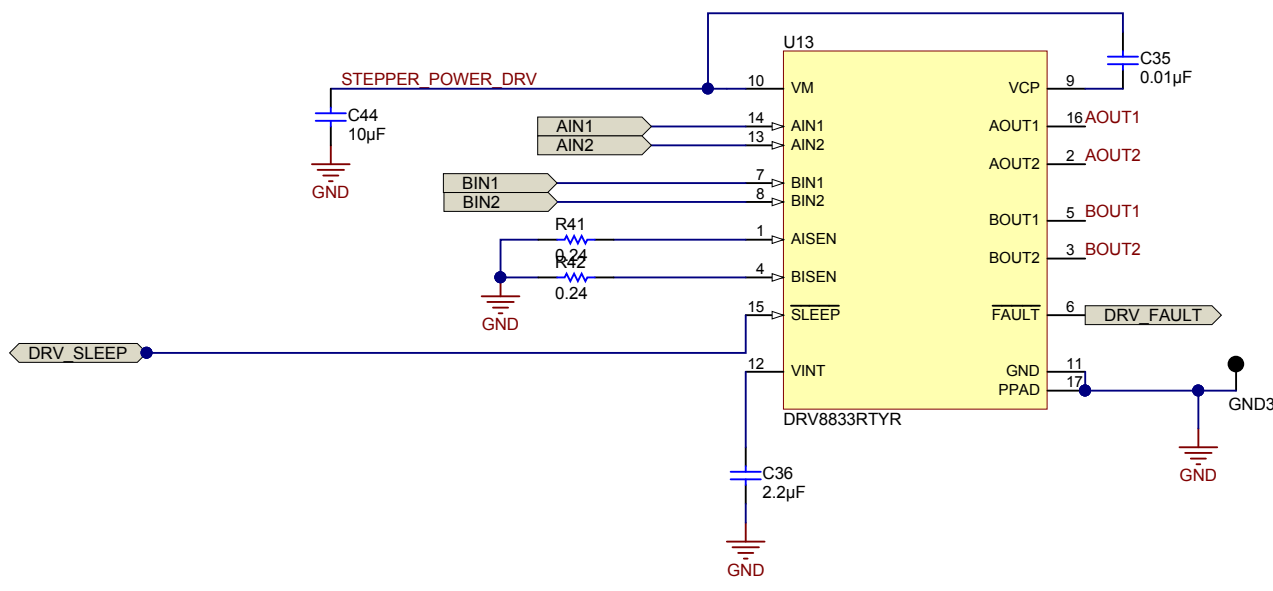
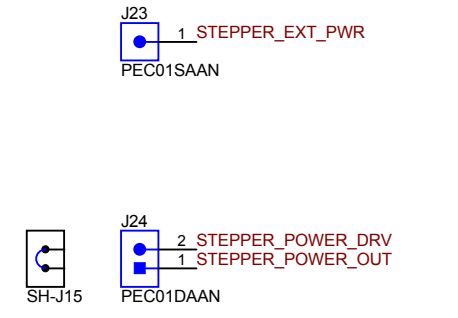
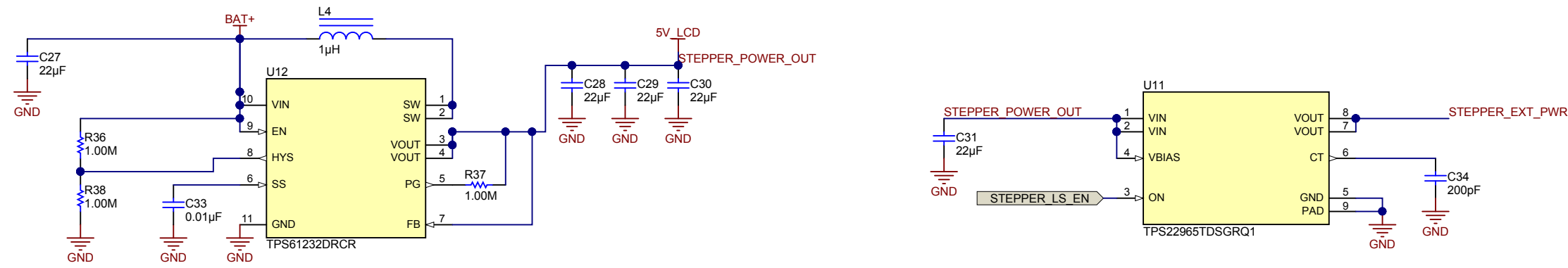
D



Texas Instruments and/or its licensors do not warrant the accuracy or completeness of this specification or any information contained therein. Texas Instruments and/or its licensors do not warrant that this design will meet the specifications, will be suitable for your application or fit for any particular purpose, or will operate in an implementation. Texas Instruments and/or its licensors do not warrant that the design is production worthy. You should completely validate and test your design implementation to confirm the system functionality for your application.

Orderable: N/A	Designed for: Public Release	Mod. Date: 4/27/2016
TID #: 00818	Project Title: TIDA-00818	
Number: TIDA-00818	Rev: E1	Sheet Title:
SVN Rev: Version control disabled	Assembly Variant: [No Variations]	Sheet: 6 of 10
Drawn By:	File: TIDA-00818 Phantom Loads.SchDoc	Size: B
Engineer: Oscar Yu	Contact: <a href="http://www.ti.com/support">http://www.ti.com/support</a>	

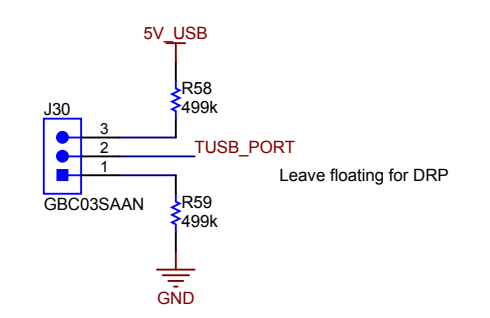
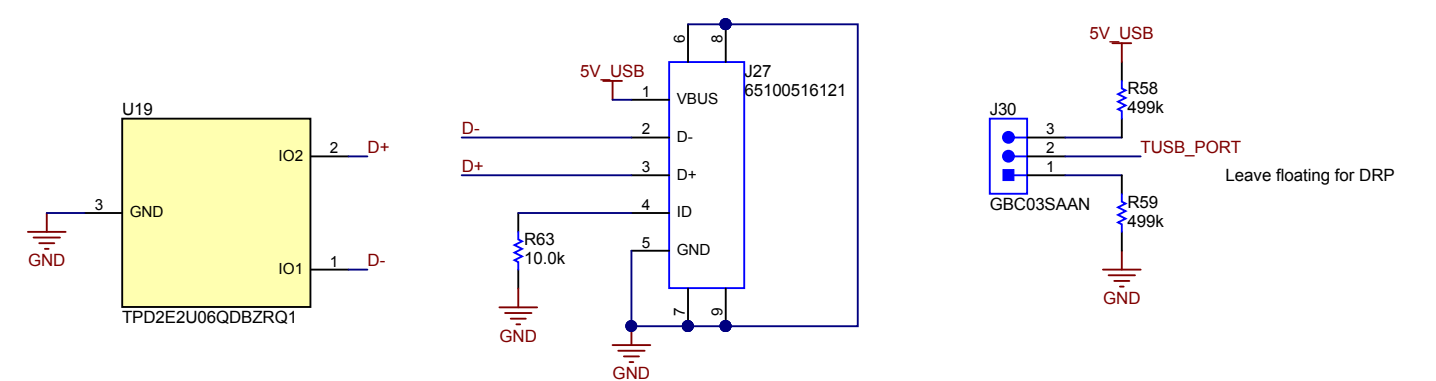
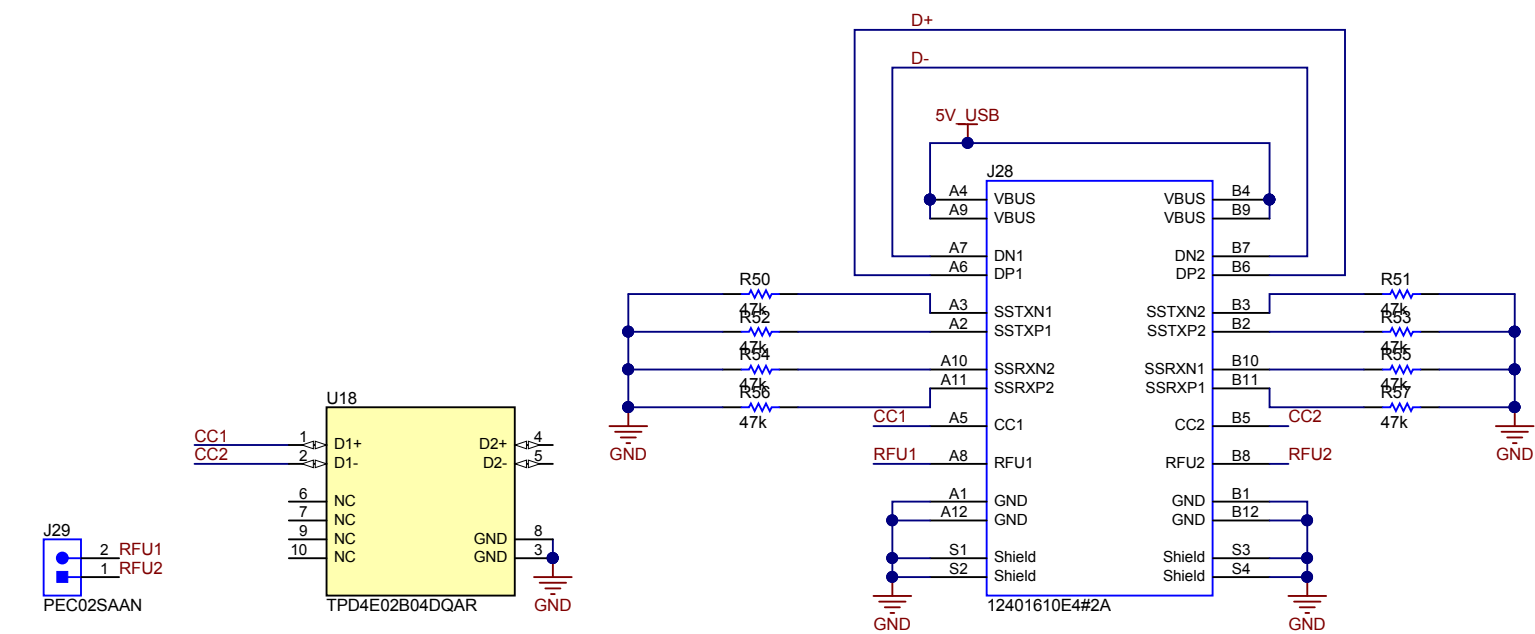
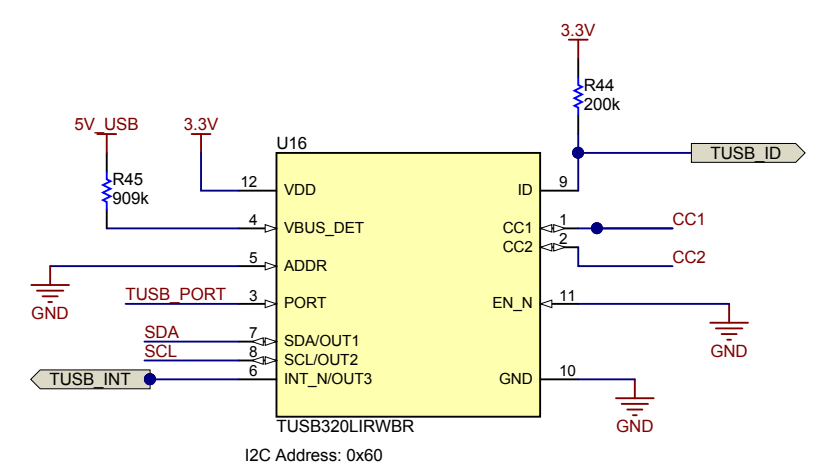
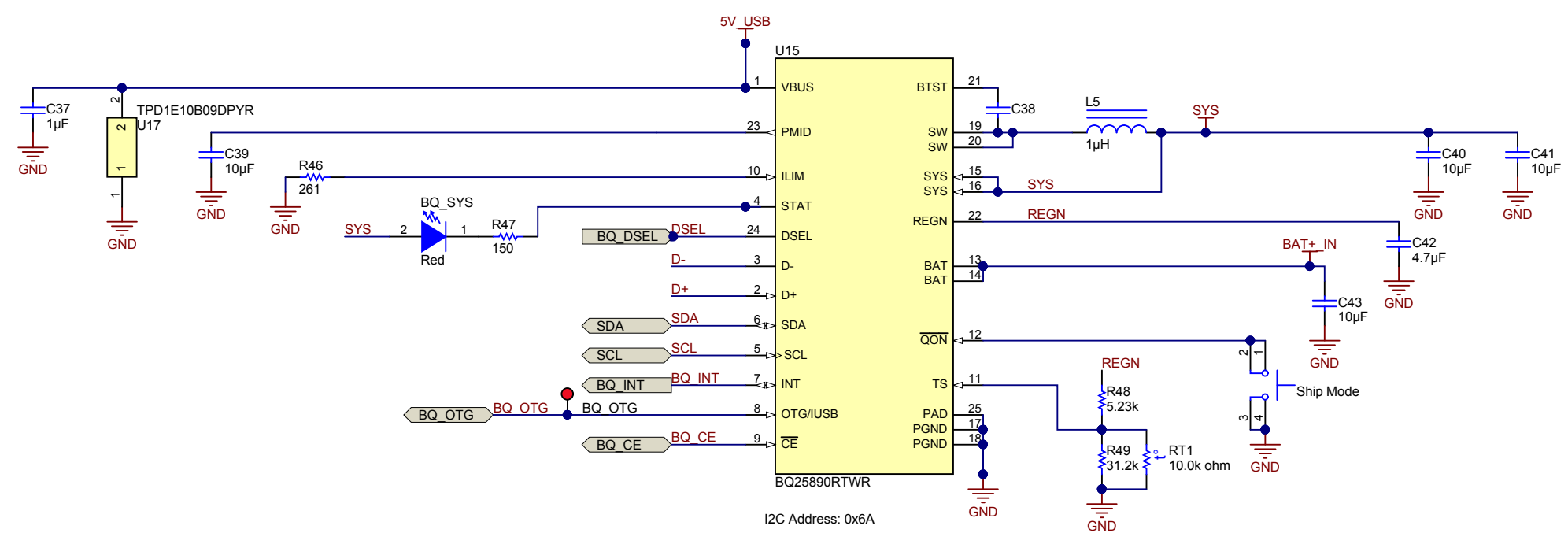




Texas Instruments and/or its licensors do not warrant the accuracy or completeness of this specification or any information contained therein. Texas Instruments and/or its licensors do not warrant that this design will meet the specifications, will be suitable for your application or fit for any particular purpose, or will operate in an implementation. Texas Instruments and/or its licensors do not warrant that the design is production worthy. You should completely validate and test your design implementation to confirm the system functionality for your application.

Orderable: N/A	Designed for: Public Release	Mod. Date: 6/20/2016
TID #: 00818	Project Title: TIDA-00818	
Number: TIDA-00818	Rev: E1	Sheet Title:
SVN Rev: Version control disabled	Assembly Variant: [No Variations]	Sheet: 7 of 10
Drawn By:	File: TIDA-00818 Stepper.SchDoc	Size: B
Engineer: Oscar Yu	Contact: <a href="http://www.ti.com/support">http://www.ti.com/support</a>	



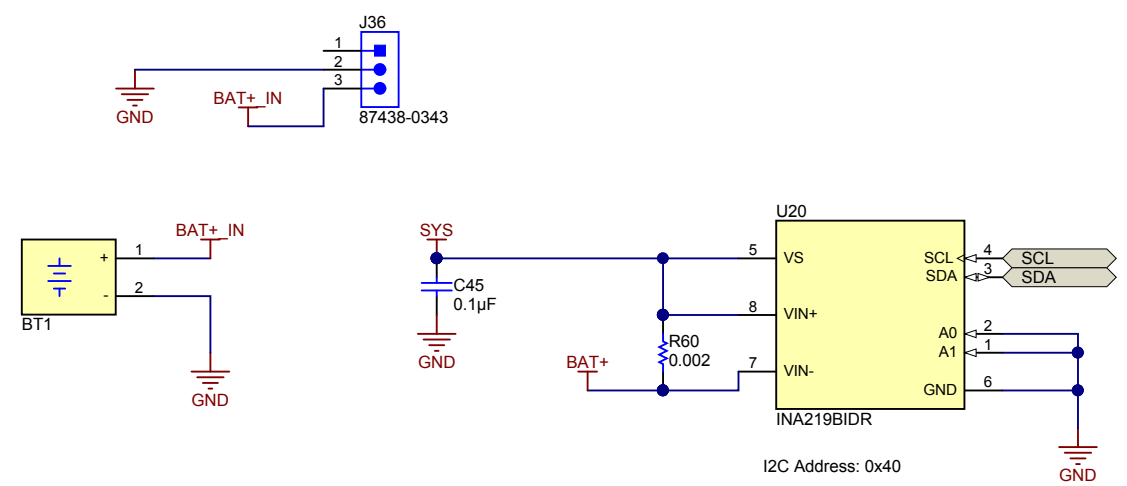


Texas Instruments and/or its licensors do not warrant the accuracy or completeness of this specification or any information contained therein. Texas Instruments and/or its licensors do not warrant that this design will meet the specifications, will be suitable for your application or fit for any particular purpose, or will operate in an implementation. Texas Instruments and/or its licensors do not warrant that the design is production worthy. You should completely validate and test your design implementation to confirm the system functionality for your application.


Orderable: N/A	Designed for: Public Release	Mod. Date: 6/22/2016
TID #: 00818	Project Title: TIDA-00818	
Number: TIDA-00818	Rev: E1	Sheet Title:
SVN Rev: Version control disabled	Assembly Variant: [No Variations]	Sheet: 8 of 10
Drawn By:	File: TIDA-00818 USB.SchDoc	Size: B
Engineer: Oscar Yu	Contact: <a href="http://www.ti.com/support">http://www.ti.com/support</a>	







Texas Instruments and/or its licensors do not warrant the accuracy or completeness of this specification or any information contained therein. Texas Instruments and/or its licensors do not warrant that this design will meet the specifications, will be suitable for your application or fit for any particular purpose, or will operate in an implementation. Texas Instruments and/or its licensors do not warrant that the design is production worthy. You should completely validate and test your design implementation to confirm the system functionality for your application.

Orderable: N/A	Designed for: Public Release	Mod. Date: 4/27/2016	 <a href="http://www.ti.com">http://www.ti.com</a> © Texas Instruments 2016
TID #: 00818	Project Title: TIDA-00818		
Number: TIDA-00818	Rev: E1	Sheet: 9 of 10	
SVN Rev: Version control disabled	Assembly Variant: [No Variations]		
Drawn By:	File: TIDA-00818 Battery + CSM.SchDoc	Size: B	
Engineer: Oscar Yu	Contact: <a href="http://www.ti.com/support">http://www.ti.com/support</a>		

H1 NY PMS 440 0025 PH  
 H2 NY PMS 440 0025 PH  
 H3 NY PMS 440 0025 PH  
 H4 NY PMS 440 0025 PH

H5 1902E  
 H6 1902E  
 H7 1902E  
 H8 1902E

H9 NY HN 440  
 H10 NY HN 440

FID1 FID2 FID3 FID4 FID5 FID6

H11 NY PMS 440 0038 PH  
 H12 NY PMS 440 0038 PH

PCB Number: TIDA-00818  
 PCB Rev: E1

PCB LOGO  
 Texas Instruments

PCB LOGO  
 Pb-Free Symbol

Label Table	
Variant	Label Text
001	ChangeMe!
002	ChangeMe!

ZZ1  
**Assembly Note**  
 These assemblies are ESD sensitive, ESD precautions shall be observed.

ZZ2  
**Assembly Note**  
 These assemblies must be clean and free from flux and all contaminants. Use of no clean flux is not acceptable.

ZZ3  
**Assembly Note**  
 These assemblies must comply with workmanship standards IPC-A-610 Class 2, unless otherwise specified.

Texas Instruments and/or its licensors do not warrant the accuracy or completeness of this specification or any information contained therein. Texas Instruments and/or its licensors do not warrant that this design will meet the specifications, will be suitable for your application or fit for any particular purpose, or will operate in an implementation. Texas Instruments and/or its licensors do not warrant that the design is production worthy. You should completely validate and test your design implementation to confirm the system functionality for your application.

Orderable: N/A	Designed for: Public Release	Mod. Date: 6/20/2016
TID #: 00818	Project Title: TIDA-00818	
Number: TIDA-00818	Rev: E1	Sheet Title:
SVN Rev: Version control disabled	Assembly Variant: [No Variations]	Sheet: 10 of 10
Drawn By:	File: TIDA-00818 Hardware.SchDoc	Size: B
Engineer: Oscar Yu	Contact: <a href="http://www.ti.com/support">http://www.ti.com/support</a>	

## IMPORTANT NOTICE FOR TI REFERENCE DESIGNS

Texas Instruments Incorporated ("TI") reference designs are solely intended to assist designers ("Designer(s)") who are developing systems that incorporate TI products. TI has not conducted any testing other than that specifically described in the published documentation for a particular reference design.

TI's provision of reference designs and any other technical, applications or design advice, quality characterization, reliability data or other information or services does not expand or otherwise alter TI's applicable published warranties or warranty disclaimers for TI products, and no additional obligations or liabilities arise from TI providing such reference designs or other items.

TI reserves the right to make corrections, enhancements, improvements and other changes to its reference designs and other items.

Designer understands and agrees that Designer remains responsible for using its independent analysis, evaluation and judgment in designing Designer's systems and products, and has full and exclusive responsibility to assure the safety of its products and compliance of its products (and of all TI products used in or for such Designer's products) with all applicable regulations, laws and other applicable requirements. Designer represents that, with respect to its applications, it has all the necessary expertise to create and implement safeguards that (1) anticipate dangerous consequences of failures, (2) monitor failures and their consequences, and (3) lessen the likelihood of failures that might cause harm and take appropriate actions. Designer agrees that prior to using or distributing any systems that include TI products, Designer will thoroughly test such systems and the functionality of such TI products as used in such systems. Designer may not use any TI products in life-critical medical equipment unless authorized officers of the parties have executed a special contract specifically governing such use. Life-critical medical equipment is medical equipment where failure of such equipment would cause serious bodily injury or death (e.g., life support, pacemakers, defibrillators, heart pumps, neurostimulators, and implantables). Such equipment includes, without limitation, all medical devices identified by the U.S. Food and Drug Administration as Class III devices and equivalent classifications outside the U.S.

Designers are authorized to use, copy and modify any individual TI reference design only in connection with the development of end products that include the TI product(s) identified in that reference design. HOWEVER, NO OTHER LICENSE, EXPRESS OR IMPLIED, BY ESTOPPEL OR OTHERWISE TO ANY OTHER TI INTELLECTUAL PROPERTY RIGHT, AND NO LICENSE TO ANY TECHNOLOGY OR INTELLECTUAL PROPERTY RIGHT OF TI OR ANY THIRD PARTY IS GRANTED HEREIN, including but not limited to any patent right, copyright, mask work right, or other intellectual property right relating to any combination, machine, or process in which TI products or services are used. Information published by TI regarding third-party products or services does not constitute a license to use such products or services, or a warranty or endorsement thereof. Use of the reference design or other items described above may require a license from a third party under the patents or other intellectual property of the third party, or a license from TI under the patents or other intellectual property of TI.

TI REFERENCE DESIGNS AND OTHER ITEMS DESCRIBED ABOVE ARE PROVIDED "AS IS" AND WITH ALL FAULTS. TI DISCLAIMS ALL OTHER WARRANTIES OR REPRESENTATIONS, EXPRESS OR IMPLIED, REGARDING THE REFERENCE DESIGNS OR USE OF THE REFERENCE DESIGNS, INCLUDING BUT NOT LIMITED TO ACCURACY OR COMPLETENESS, TITLE, ANY EPIDEMIC FAILURE WARRANTY AND ANY IMPLIED WARRANTIES OF MERCHANTABILITY, FITNESS FOR A PARTICULAR PURPOSE, AND NON-INFRINGEMENT OF ANY THIRD PARTY INTELLECTUAL PROPERTY RIGHTS.

TI SHALL NOT BE LIABLE FOR AND SHALL NOT DEFEND OR INDEMNIFY DESIGNERS AGAINST ANY CLAIM, INCLUDING BUT NOT LIMITED TO ANY INFRINGEMENT CLAIM THAT RELATES TO OR IS BASED ON ANY COMBINATION OF PRODUCTS AS DESCRIBED IN A TI REFERENCE DESIGN OR OTHERWISE. IN NO EVENT SHALL TI BE LIABLE FOR ANY ACTUAL, DIRECT, SPECIAL, COLLATERAL, INDIRECT, PUNITIVE, INCIDENTAL, CONSEQUENTIAL OR EXEMPLARY DAMAGES IN CONNECTION WITH OR ARISING OUT OF THE REFERENCE DESIGNS OR USE OF THE REFERENCE DESIGNS, AND REGARDLESS OF WHETHER TI HAS BEEN ADVISED OF THE POSSIBILITY OF SUCH DAMAGES.

TI's standard terms of sale for semiconductor products (<http://www.ti.com/sc/docs/stdterms.htm>) apply to the sale of packaged integrated circuit products. Additional terms may apply to the use or sale of other types of TI products and services.

Designer will fully indemnify TI and its representatives against any damages, costs, losses, and/or liabilities arising out of Designer's non-compliance with the terms and provisions of this Notice.

Mailing Address: Texas Instruments, Post Office Box 655303, Dallas, Texas 75265  
Copyright © 2016, Texas Instruments Incorporated