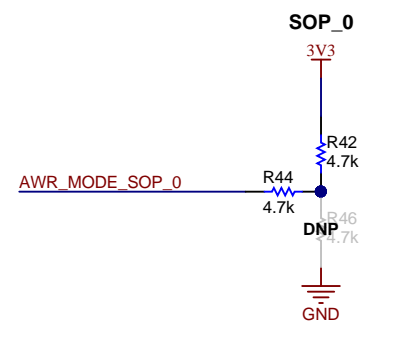
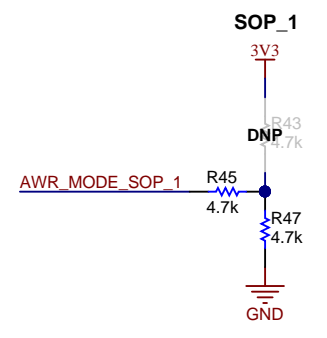
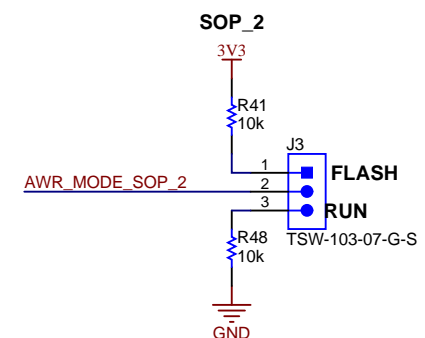
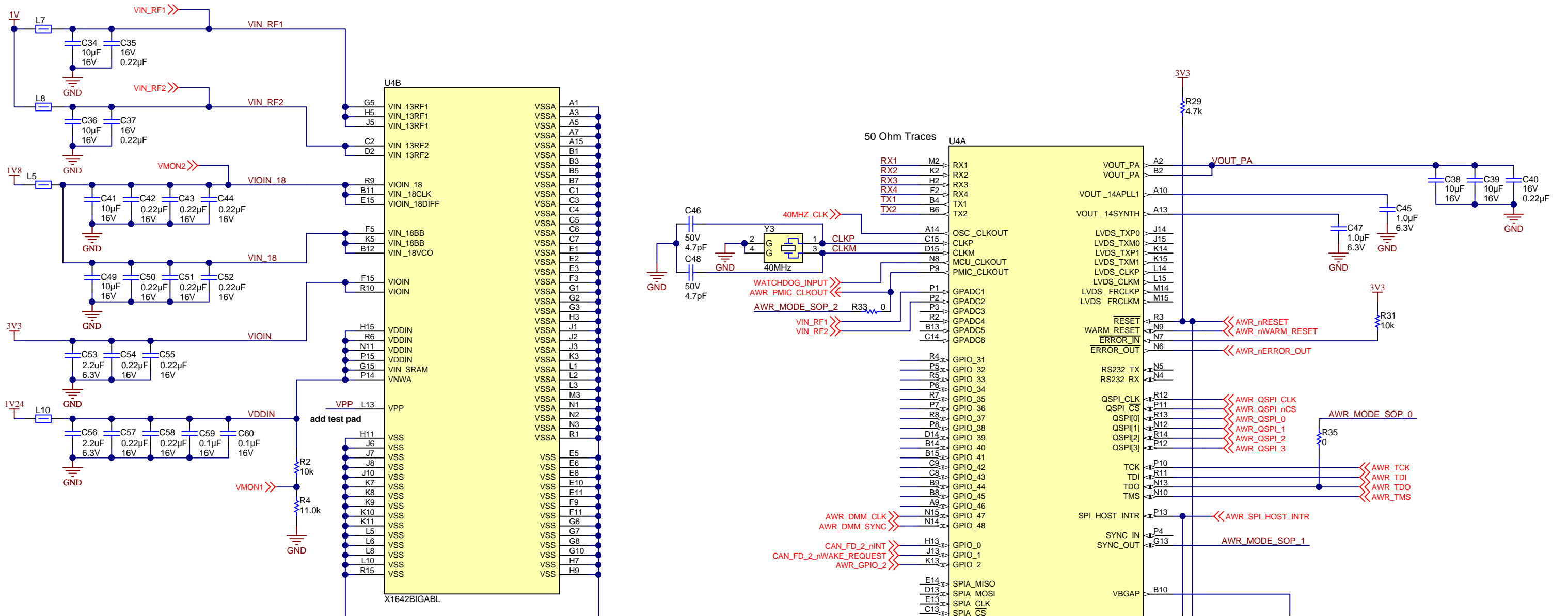


POWER SUPPLY

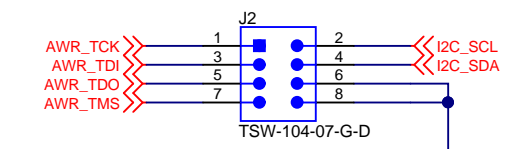
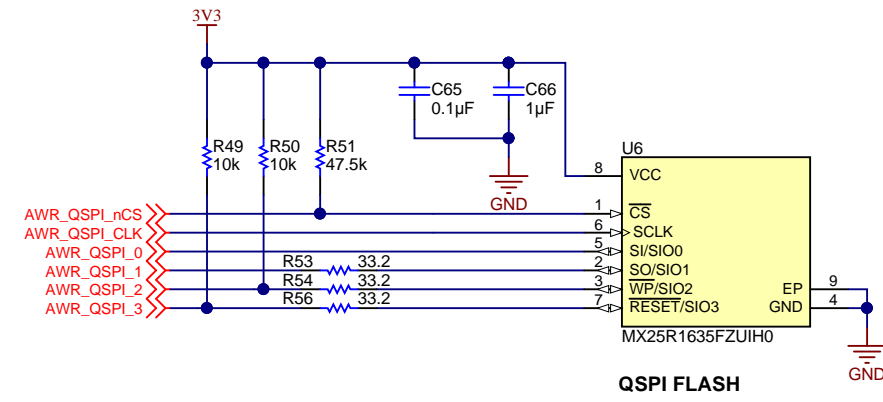
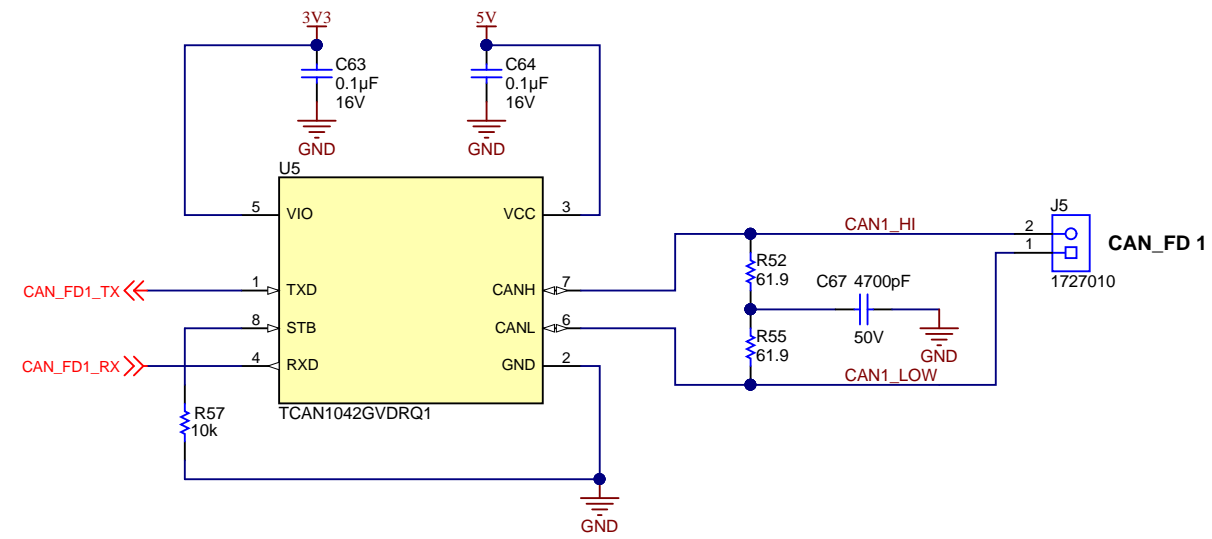


RADAR

Texas Instruments and/or its licensors do not warrant the accuracy or completeness of this specification or any information contained therein. Texas Instruments and/or its licensors do not warrant that this design will meet the specifications, will be suitable for your application or fit for any particular purpose, or will operate in an implementation. Texas Instruments and/or its licensors do not warrant that the design is production worthy. You should completely validate and test your design implementation to confirm the system functionality for your application.

Number: TIDA-020011	Rev: E1	Designed for: Public Release	Mod. Date: 10/29/2018
Project Title: Change in menu Project Project Options Parameters	Sheet Title: Radar	SVN Rev: Version control disabled	Assembly Variant: 001
Drawn By: Brian Shaffer	Engineer: Matt Sullivan	File: RADAR.SchDoc	Size: B
		Sheet: 2 of 4	http://www.ti.com
		Contact: http://www.ti.com/support	© Texas Instruments 2018





CAN-FD, FLASH

Texas Instruments and/or its licensors do not warrant the accuracy or completeness of this specification or any information contained therein. Texas Instruments and/or its licensors do not warrant that this design will meet the specifications, will be suitable for your application or fit for any particular purpose, or will operate in an implementation. Texas Instruments and/or its licensors do not warrant that the design is production worthy. You should completely validate and test your design implementation to confirm the system functionality for your application.

Number: TIDA-020011	Rev: E1	Mod. Date: 6/28/2018	 http://www.ti.com
Project Title: Change in menu Project Project Options Parameters		Sheet: 3 of 4	
Sheet Title: CAN-FD, FLASH		Size: B	
Assembly Variant: 001		Contact: http://www.ti.com/support	
Drawn By: Brian Shaffer		Engineer: Matt Sullivan	

ZZ1

Assembly Note

These assemblies are ESD sensitive, ESD precautions shall be observed.

ZZ2

Assembly Note

These assemblies must be clean and free from flux and all contaminants. Use of no clean flux is not acceptable.

ZZ3

Assembly Note

These assemblies must comply with workmanship standards IPC-A-610 Class 2, unless otherwise specified.

DNP

FID1

DNP

FID2

DNP

FID3



FID4



FID5



FID6

PCB Number: TIDA-020011
PCB Rev: E1

PCB
LOGO
Texas Instruments

Hardware

Designed for: Public Release	Mod. Date: 5/9/2018
Project Title: Change in menu Project Project Options Parameters	
Sheet Title: Hardware	
SVN Rev: Version control disabled	Sheet: 4 of 4
Drawn By: Brian Shaffer	File: HDWR.SchDoc
Engineer: Matt Sullivan	Contact: http://www.ti.com/support



http://www.ti.com
© Texas Instruments 2018

Texas Instruments and/or its licensors do not warrant the accuracy or completeness of this specification or any information contained therein. Texas Instruments and/or its licensors do not warrant that this design will meet the specifications, will be suitable for your application or fit for any particular purpose, or will operate in an implementation. Texas Instruments and/or its licensors do not warrant that the design is production worthy. You should completely validate and test your design implementation to confirm the system functionality for your application.

IMPORTANT NOTICE AND DISCLAIMER

TI PROVIDES TECHNICAL AND RELIABILITY DATA (INCLUDING DATASHEETS), DESIGN RESOURCES (INCLUDING REFERENCE DESIGNS), APPLICATION OR OTHER DESIGN ADVICE, WEB TOOLS, SAFETY INFORMATION, AND OTHER RESOURCES "AS IS" AND WITH ALL FAULTS, AND DISCLAIMS ALL WARRANTIES, EXPRESS AND IMPLIED, INCLUDING WITHOUT LIMITATION ANY IMPLIED WARRANTIES OF MERCHANTABILITY, FITNESS FOR A PARTICULAR PURPOSE OR NON-INFRINGEMENT OF THIRD PARTY INTELLECTUAL PROPERTY RIGHTS.

These resources are intended for skilled developers designing with TI products. You are solely responsible for (1) selecting the appropriate TI products for your application, (2) designing, validating and testing your application, and (3) ensuring your application meets applicable standards, and any other safety, security, or other requirements. These resources are subject to change without notice. TI grants you permission to use these resources only for development of an application that uses the TI products described in the resource. Other reproduction and display of these resources is prohibited. No license is granted to any other TI intellectual property right or to any third party intellectual property right. TI disclaims responsibility for, and you will fully indemnify TI and its representatives against, any claims, damages, costs, losses, and liabilities arising out of your use of these resources.

TI's products are provided subject to TI's Terms of Sale (www.ti.com/legal/termsofsale.html) or other applicable terms available either on ti.com or provided in conjunction with such TI products. TI's provision of these resources does not expand or otherwise alter TI's applicable warranties or warranty disclaimers for TI products.

Mailing Address: Texas Instruments, Post Office Box 655303, Dallas, Texas 75265
Copyright © 2018, Texas Instruments Incorporated