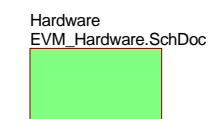
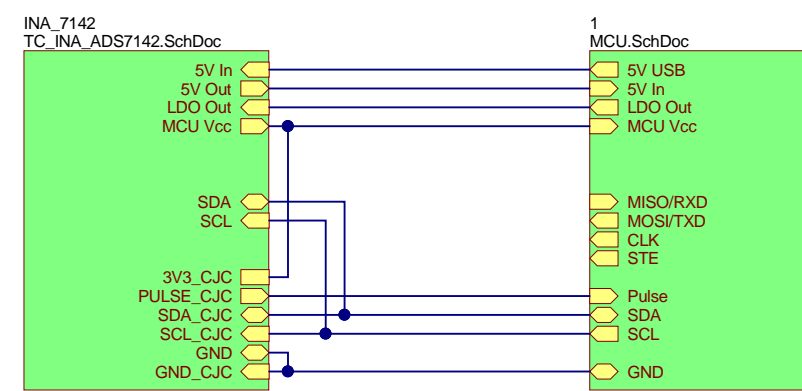
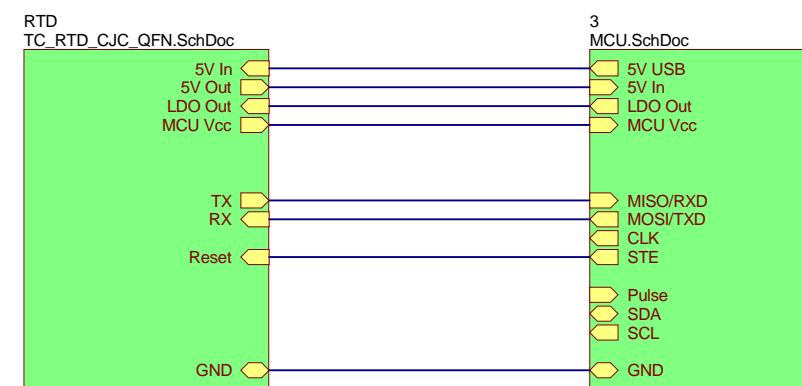
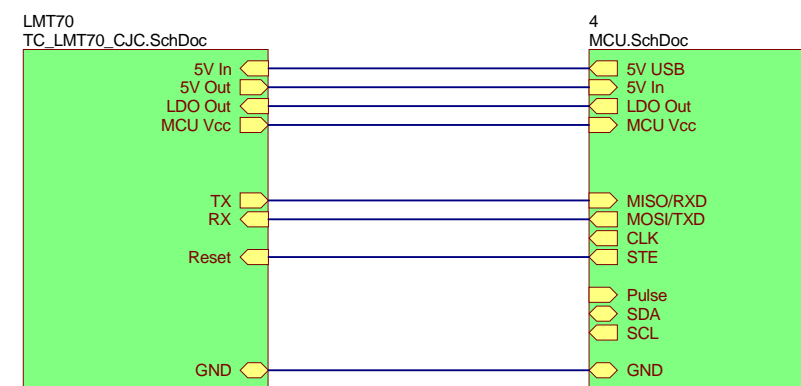



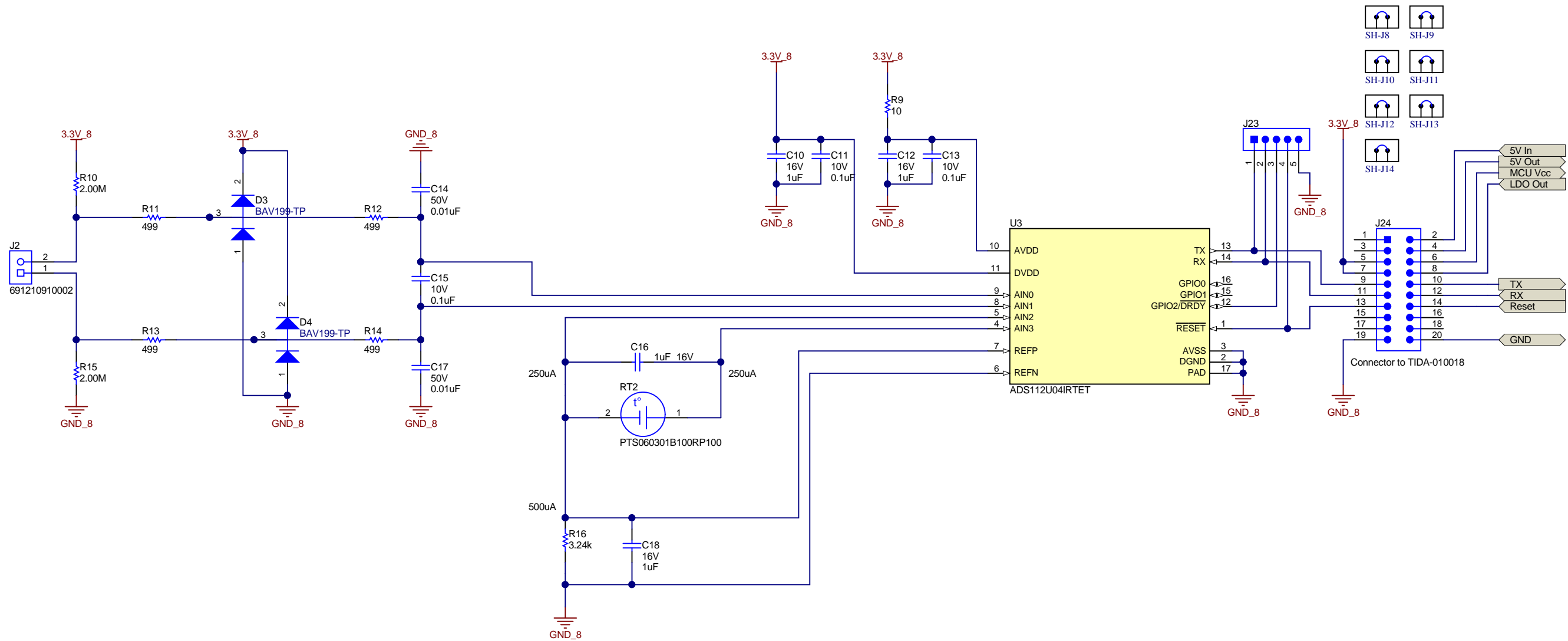
Revision History				
Rev	ECN #	Approved Date	Approved by	Notes
N/A	N/A	N/A	N/A	N/A



Texas Instruments and/or its licensors do not warrant the accuracy or completeness of this specification or any information contained therein. Texas Instruments and/or its licensors do not warrant that this design will meet the specifications, will be suitable for your application or fit for any particular purpose, or will operate in an implementation. Texas Instruments and/or its licensors do not warrant that the design is production worthy. You should completely validate and test your design implementation to confirm the system functionality for your application.

Orderable: <a href="#">ChangeMe in variant</a>	Designed for: <a href="#">Public Release</a>	Mod. Date: 2/1/2019	 <a href="http://www.ti.com">http://www.ti.com</a> © Texas Instruments 2018
TID #: N/A	Project Title: <a href="#">RTD Replacement</a>		
Number: <a href="#">TIDA-010019</a>	Rev: <a href="#">E2</a>	Sheet Title:	
SVN Rev: Not in version control	Assembly Variant: <a href="#">001</a>	Sheet: <a href="#">1 of 9</a>	
Drawn By:	File: <a href="#">CoverSheet.SchDoc</a>	Size: B	
Engineer: <a href="#">Steffen Graf</a>	Contact: <a href="http://www.ti.com/support">http://www.ti.com/support</a>		

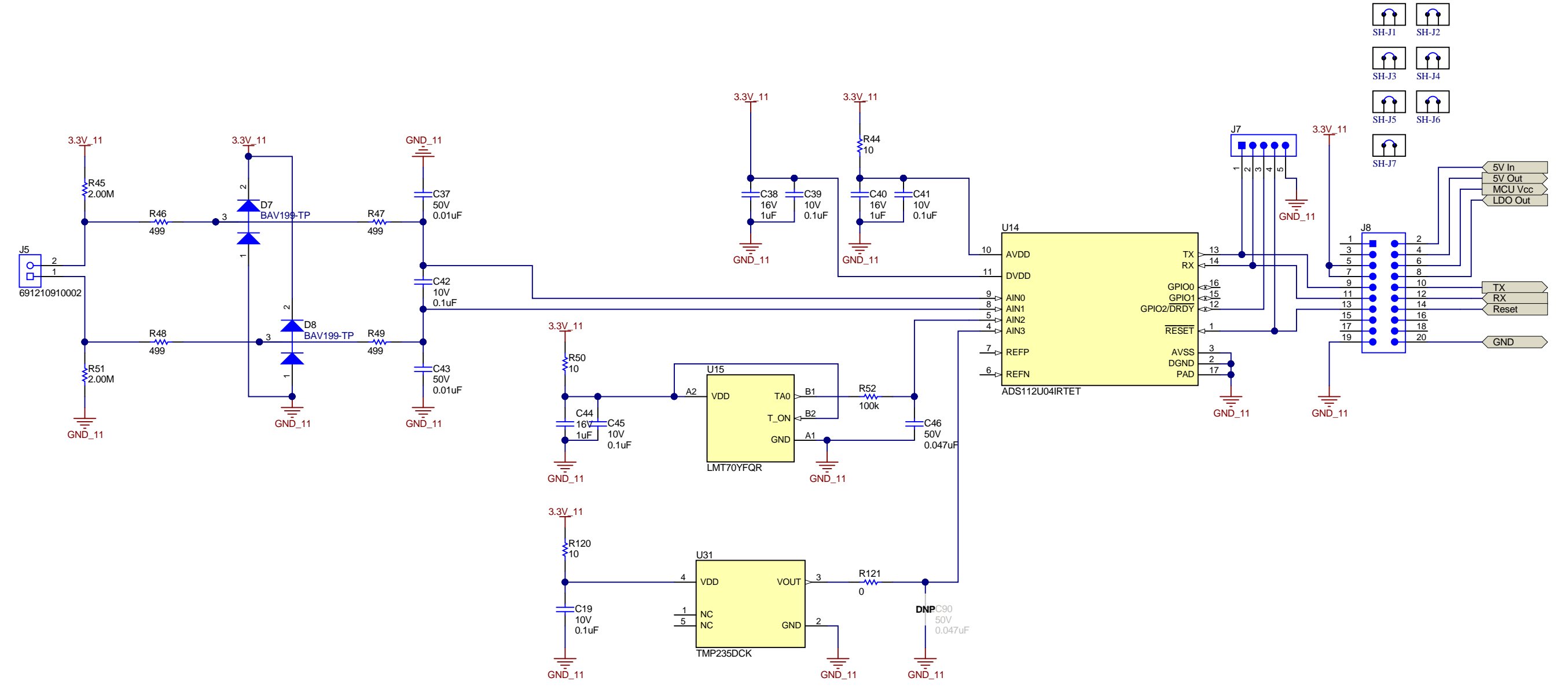
### TC Interface with RTD CJC



Orderable: <a href="#">ChangeMe in variant</a>	Designed for: <a href="#">Public Release</a>	Mod. Date: 2/4/2019
TID #: N/A	Project Title: <a href="#">RTD Replacement</a>	
Number: <a href="#">TIDA-010019</a>	Rev: <a href="#">E2</a>	Sheet Title:
SVN Rev: Not in version control	Assembly Variant: <a href="#">001</a>	Sheet: <a href="#">2 of 9</a>
Drawn By:	File: <a href="#">TC_RT_D_CJC_QFN.SchDoc</a>	Size: <a href="#">B</a>
Engineer: <a href="#">Steffen Graf</a>	Contact: <a href="#">http://www.ti.com/support</a>	

Texas Instruments and/or its licensors do not warrant the accuracy or completeness of this specification or any information contained therein. Texas Instruments and/or its licensors do not warrant that this design will meet the specifications, will be suitable for your application or fit for any particular purpose, or will operate in an implementation. Texas Instruments and/or its licensors do not warrant that the design is production worthy. You should completely validate and test your design implementation to confirm the system functionality for your application.



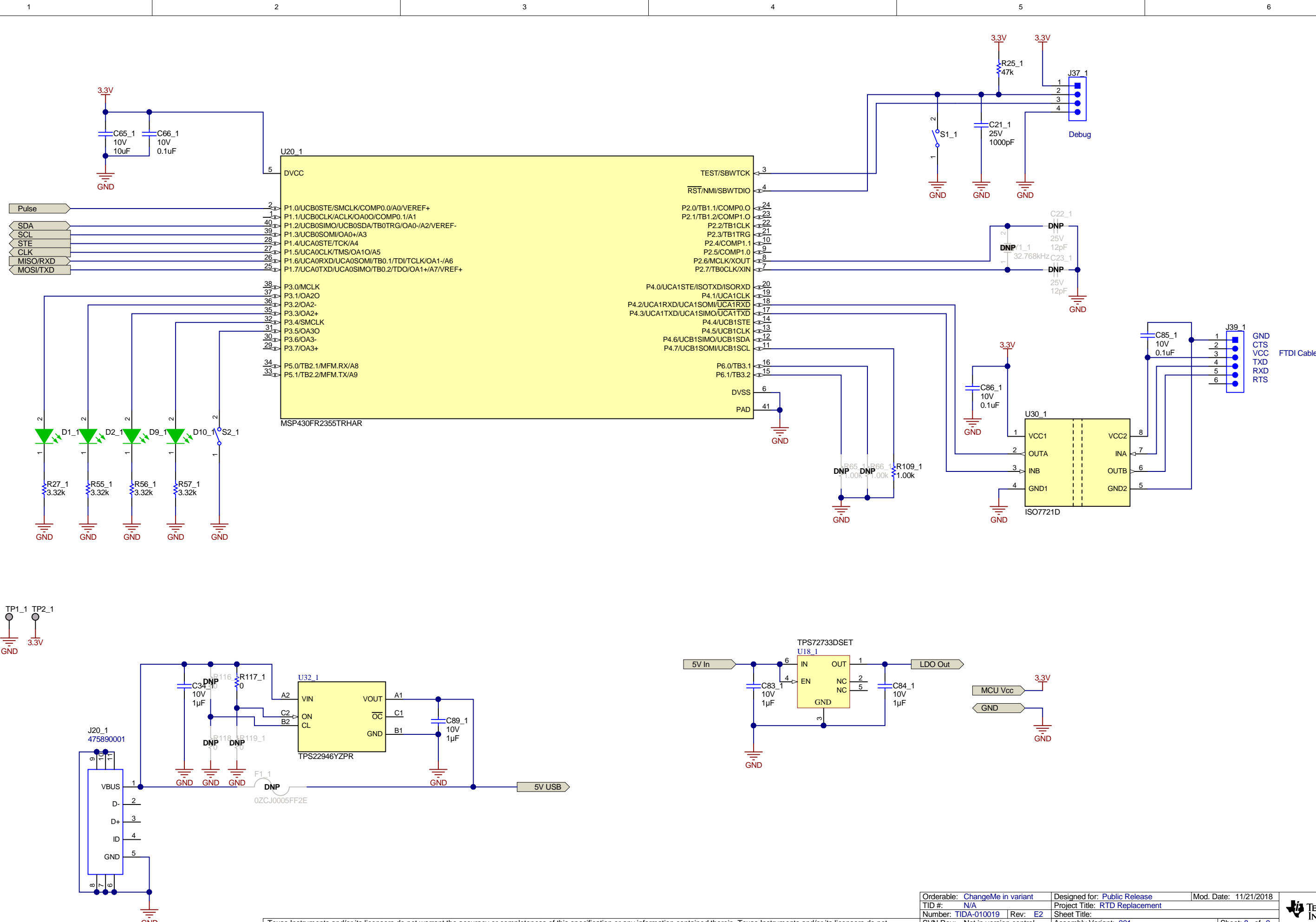


Texas Instruments and/or its licensors do not warrant the accuracy or completeness of this specification or any information contained therein. Texas Instruments and/or its licensors do not warrant that this design will meet the specifications, will be suitable for your application or fit for any particular purpose, or will operate in an implementation. Texas Instruments and/or its licensors do not warrant that the design is production worthy. You should completely validate and test your design implementation to confirm the system functionality for your application.

Orderable: <a href="#">ChangeMe in variant</a>	Designed for: <a href="#">Public Release</a>	Mod. Date: 2/4/2019
TID #: N/A	Project Title: <a href="#">RTD Replacement</a>	
Number: <a href="#">TIDA-010019</a>	Rev: <a href="#">E2</a>	Sheet Title:
SVN Rev: Not in version control	Assembly Variant: <a href="#">001</a>	Sheet: <a href="#">3 of 9</a>
Drawn By:	File: <a href="#">TC_LMT70_CJC.SchDoc</a>	Size: <a href="#">B</a>
Engineer: <a href="#">Steffen Graf</a>	Contact: <a href="#">http://www.ti.com/support</a>	<a href="#">http://www.ti.com</a>

© Texas Instruments 2018

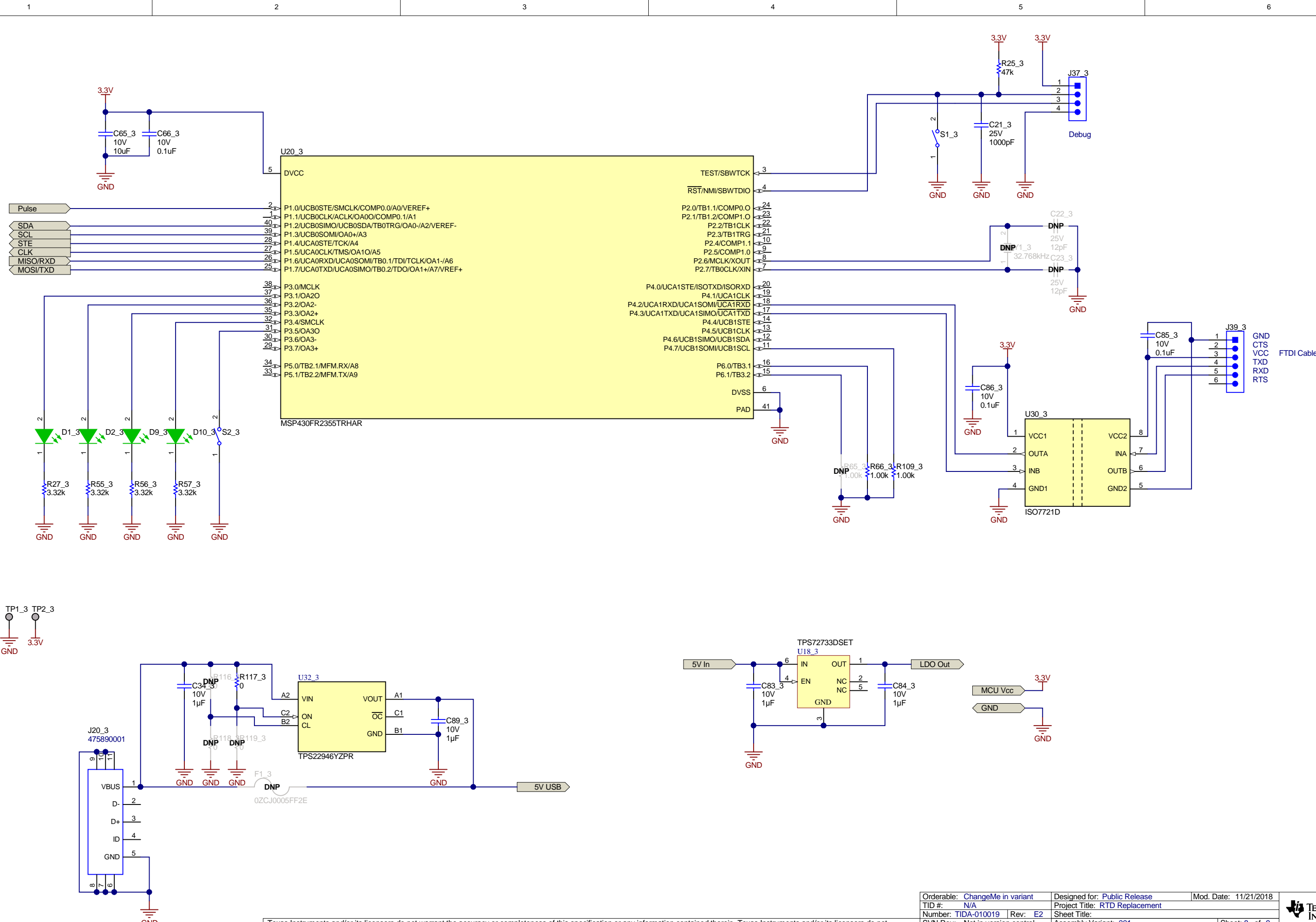




Texas Instruments and/or its licensors do not warrant the accuracy or completeness of this specification or any information contained therein. Texas Instruments and/or its licensors do not warrant that this design will meet the specifications, will be suitable for your application or fit for any particular purpose, or will operate in an implementation. Texas Instruments and/or its licensors do not warrant that the design is production worthy. You should completely validate and test your design implementation to confirm the system functionality for your application.

Orderable: ChangeMe in variant	Designed for: Public Release	Mod. Date: 11/21/2018
TID #: N/A	Project Title: RTD Replacement	
Number: TIDA-010019	Rev: E2	Sheet Title:
SVN Rev: Not in version control	Assembly Variant: 001	Sheet: 8 of 9
Drawn By:	File: MCU_SchDoc	Size: B
Engineer: Steffen Graf	Contact: <a href="http://www.ti.com/support">http://www.ti.com/support</a>	

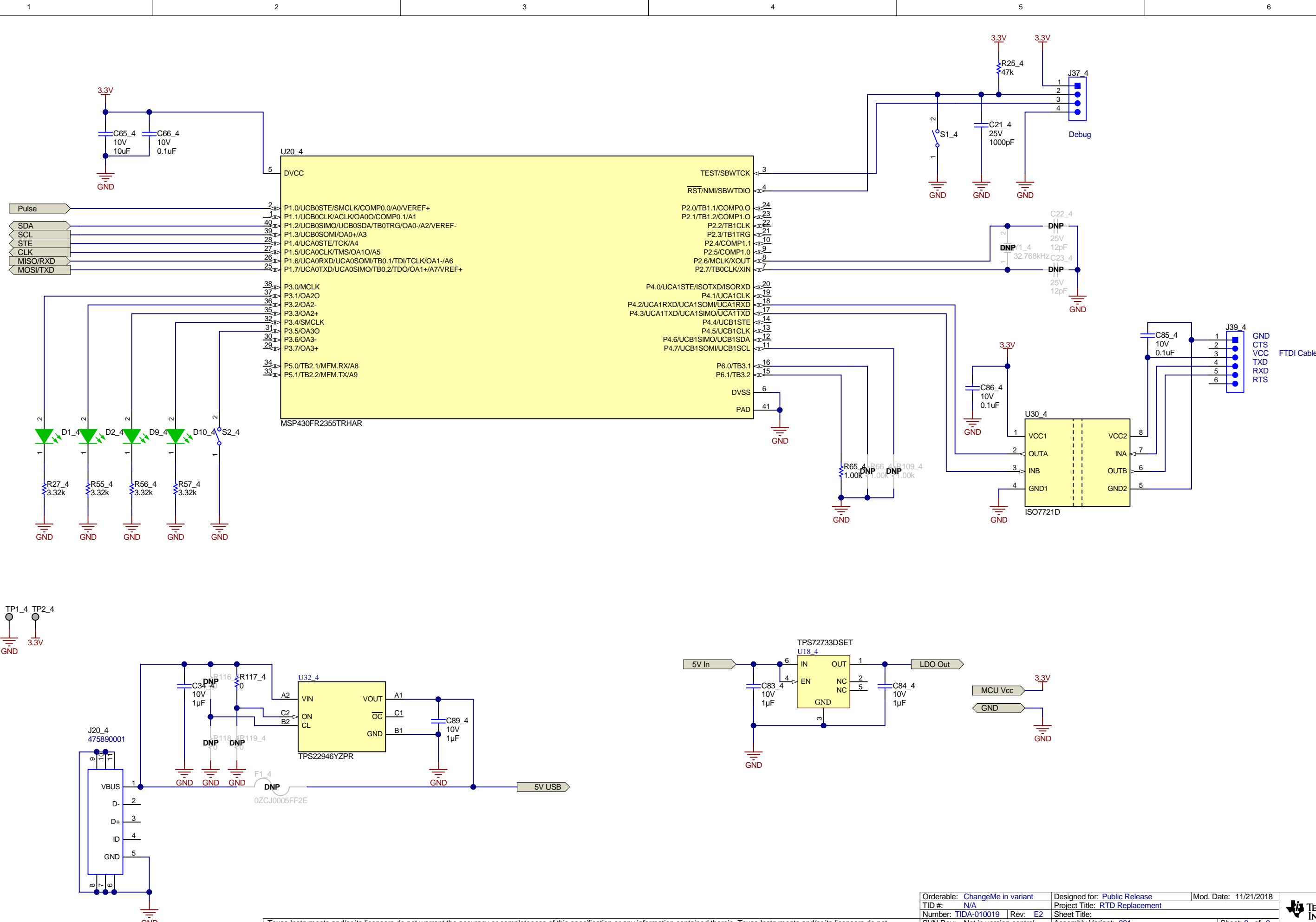




Texas Instruments and/or its licensors do not warrant the accuracy or completeness of this specification or any information contained therein. Texas Instruments and/or its licensors do not warrant that this design will meet the specifications, will be suitable for your application or fit for any particular purpose, or will operate in an implementation. Texas Instruments and/or its licensors do not warrant that the design is production worthy. You should completely validate and test your design implementation to confirm the system functionality for your application.

Orderable: ChangeMe in variant	Designed for: Public Release	Mod. Date: 11/21/2018
TID #: N/A	Project Title: RTD Replacement	
Number: TIDA-010019	Rev: E2	Sheet Title:
SVN Rev: Not in version control	Assembly Variant: 001	Sheet: 8 of 9
Drawn By:	File: MCU_SchDoc	Size: B
Engineer: Steffen Graf	Contact: <a href="http://www.ti.com/support">http://www.ti.com/support</a>	



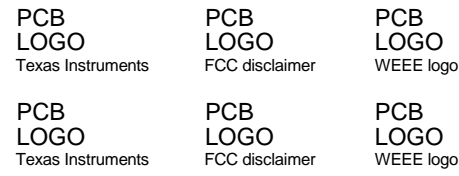
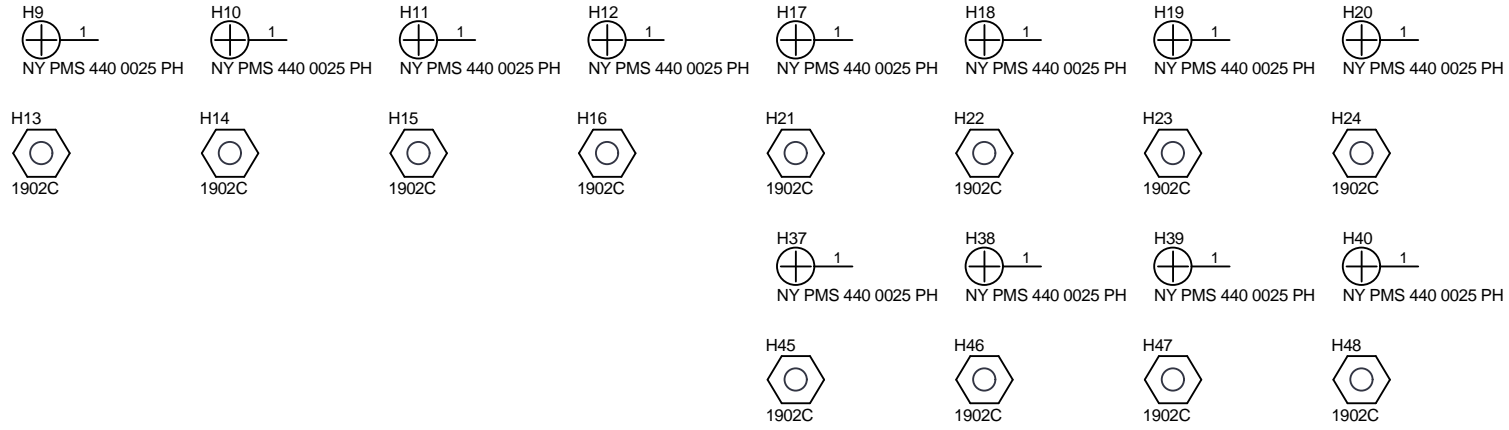


Texas Instruments and/or its licensors do not warrant the accuracy or completeness of this specification or any information contained therein. Texas Instruments and/or its licensors do not warrant that this design will meet the specifications, will be suitable for your application or fit for any particular purpose, or will operate in an implementation. Texas Instruments and/or its licensors do not warrant that the design is production worthy. You should completely validate and test your design implementation to confirm the system functionality for your application.

Orderable: ChangeMe in variant	Designed for: Public Release	Mod. Date: 11/21/2018
TID #: N/A	Project Title: RTD Replacement	
Number: TIDA-010019	Rev: E2	Sheet Title:
SVN Rev: Not in version control	Assembly Variant: 001	Sheet: 8 of 9
Drawn By:	File: MCU_SchDoc	Size: B
Engineer: Steffen Graf	Contact: <a href="http://www.ti.com/support">http://www.ti.com/support</a>	



© Texas Instruments 2018



PCB Number: TIDA-010019  
PCB Rev: E2



Variant/Label Table	
Variant	Label Text
001	Default

LBL1  
PCB Label  
THT-14-423-10  
Size: 0.65" x 0.20 "

LBL3  
PCB Label  
THT-14-423-10  
Size: 0.65" x 0.20 "

LBL4  
PCB Label  
THT-14-423-10  
Size: 0.65" x 0.20 "

ZZ1  
Label Assembly Note  
This Assembly Note is for PCB labels only

ZZ2  
Assembly Note  
These assemblies are ESD sensitive, ESD precautions shall be observed.

ZZ3  
Assembly Note  
These assemblies must be clean and free from flux and all contaminants. Use of no clean flux is not acceptable.

ZZ4  
Assembly Note  
These assemblies must comply with workmanship standards IPC-A-610 Class 2, unless otherwise specified.

Texas Instruments and/or its licensors do not warrant the accuracy or completeness of this specification or any information contained therein. Texas Instruments and/or its licensors do not warrant that this design will meet the specifications, will be suitable for your application or fit for any particular purpose, or will operate in an implementation. Texas Instruments and/or its licensors do not warrant that the design is production worthy. You should completely validate and test your design implementation to confirm the system functionality for your application.

Orderable: <a href="#">ChangeMe in variant</a>	Designed for: <a href="#">Public Release</a>	Mod. Date: 2/4/2019	
TID #: N/A	Project Title: <a href="#">RTD Replacement</a>		
Number: <a href="#">TIDA-010019</a>	Rev: <a href="#">E2</a>	Sheet Title:	
SVN Rev: Not in version control	Assembly Variant: <a href="#">001</a>	Sheet: <a href="#">9 of 9</a>	
Drawn By:	File: <a href="#">EVM_Hardware.SchDoc</a>	Size: B	<a href="http://www.ti.com">http://www.ti.com</a>
Engineer: <a href="#">Steffen Graf</a>	Contact: <a href="http://www.ti.com/support">http://www.ti.com/support</a>		© Texas Instruments 2018



## IMPORTANT NOTICE AND DISCLAIMER

TI PROVIDES TECHNICAL AND RELIABILITY DATA (INCLUDING DATASHEETS), DESIGN RESOURCES (INCLUDING REFERENCE DESIGNS), APPLICATION OR OTHER DESIGN ADVICE, WEB TOOLS, SAFETY INFORMATION, AND OTHER RESOURCES "AS IS" AND WITH ALL FAULTS, AND DISCLAIMS ALL WARRANTIES, EXPRESS AND IMPLIED, INCLUDING WITHOUT LIMITATION ANY IMPLIED WARRANTIES OF MERCHANTABILITY, FITNESS FOR A PARTICULAR PURPOSE OR NON-INFRINGEMENT OF THIRD PARTY INTELLECTUAL PROPERTY RIGHTS.

These resources are intended for skilled developers designing with TI products. You are solely responsible for (1) selecting the appropriate TI products for your application, (2) designing, validating and testing your application, and (3) ensuring your application meets applicable standards, and any other safety, security, or other requirements. These resources are subject to change without notice. TI grants you permission to use these resources only for development of an application that uses the TI products described in the resource. Other reproduction and display of these resources is prohibited. No license is granted to any other TI intellectual property right or to any third party intellectual property right. TI disclaims responsibility for, and you will fully indemnify TI and its representatives against, any claims, damages, costs, losses, and liabilities arising out of your use of these resources.

TI's products are provided subject to TI's Terms of Sale ([www.ti.com/legal/termsofsale.html](http://www.ti.com/legal/termsofsale.html)) or other applicable terms available either on [ti.com](http://ti.com) or provided in conjunction with such TI products. TI's provision of these resources does not expand or otherwise alter TI's applicable warranties or warranty disclaimers for TI products.

Mailing Address: Texas Instruments, Post Office Box 655303, Dallas, Texas 75265  
Copyright © 2019, Texas Instruments Incorporated