

Design Guide: TIDA-060021

Cascaded High-Gain Active Low-Pass Filter Reference Design for High-Impedance Applications



Description

This design uses an OPA2810 high-speed amplifier to provide two multiple feedback (MFB) low-pass filter boards with 1 MHz cutoff frequencies. The fourth-order board, provides a fourth-order filter with high gain and steep roll-off. The high-impedance board (High-Z), is a second-order filter meant for systems with a large output impedance in the previous stage. Both boards in this reference design offer engineers a high-gain, wide supply range filter with a focus on minimizing noise and distortion. The OPA810 is a single-channel variant of the OPA2810 device.

Resources

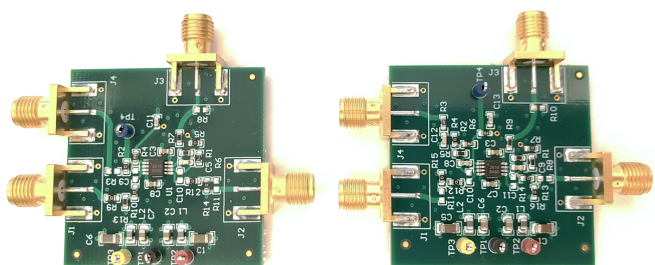
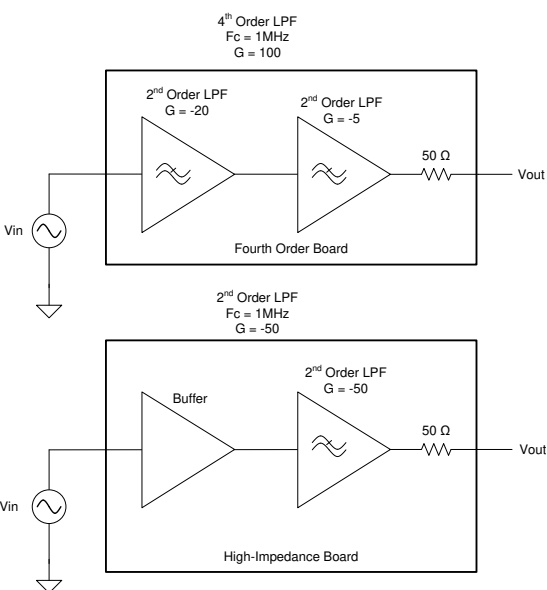
TIDA-060021	Design Folder
OPA2810	Product Folder
OPA810	Product Folder
TINA-TI	Tool Folder
Filter-Pro	Tool Folder

Features

- Cascaded low-pass filter to achieve a gain up to 40 dB and a cutoff frequency of 1 MHz
- Multiple feedback topology for fourth-order and second-order designs
- Compact two-stage design for high gain and second or fourth-order filters
- Minimal overshoot and ringing resulting from high stability
- Low-distortion and low-noise design
- Uses the JFET-input OPA2810 for low input noise, high common mode rejection ratio (CMRR), and fast slew rate
- Supports wide supply voltage range and high output voltage designs

Applications

- Data acquisition (DAQ)
- Spectrum and network analyzers
- Oscilloscopes
- Active probes





An IMPORTANT NOTICE at the end of this TI reference design addresses authorized use, intellectual property matters and other important disclaimers and information.

1 System Description

With improvements in amplifier capabilities over time, active filters have become more common in higher frequency applications. Compared to passive filters, active filters can provide gain and also improve the size, cost, and flexibility of a design. With the right amplifier and configuration, active filters can prove useful in many filter applications.

Texas Instruments' FilterPro™ software tool was used in the design of both active filters featured in the TIDA-060021 boards. Each board has a different emphasis on its design, but both boards are made up of two stages:

- The High-Z board is made up of a buffer, followed by a 34-dB gain, MFB filter. The original input signal is inverted because the High-Z board only uses one MFB filter. The use of a buffer for the first stage allows the filter to have a large input impedance.
- The fourth-order design uses an MFB filter for both stages, leading to a greater gain of 40 dB, steeper roll-off and no inversion of the input. This design, however, does not use a buffer and therefore has an input impedance of only 412 Ω .

1.1 Key System Specifications

Table 1. Key System Specifications

PARAMETER	SPECIFICATIONS (High-Z)	SPECIFICATIONS (4th Order)
Filter order	2nd-order	4th-order
Gain	34 dB	40 dB
Input impedance	12 G Ω	412 Ω
Cutoff frequency	1.04 MHz	1.04 MHz
Pass-band ripple	< 1 dB	< 1 dB
Stop-band attenuation	34 dB	40 dB
Stop-band cut-off frequency	15.16 MHz	4.53 MHz
Q-factor (first stage)	n/a	0.556
Q-factor (second stage)	0.599	1.06
Total supply voltage (min)	4.75 V	4.75 V
Total supply voltage (max)	27 V	27 V

2 System Overview

2.1 Block Diagrams

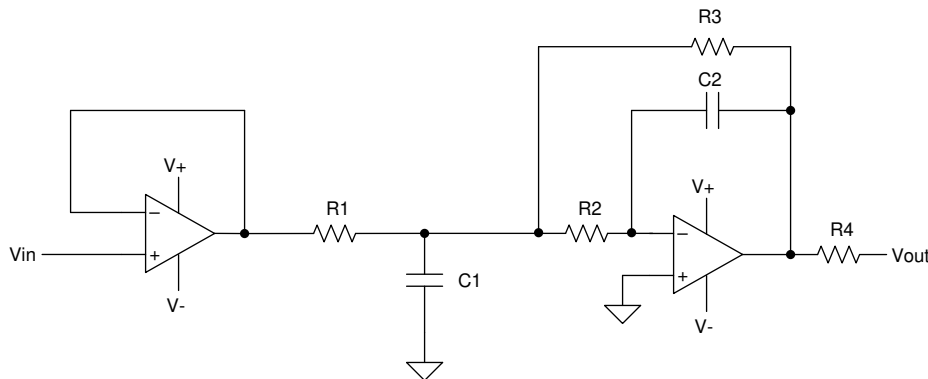


Figure 1. High-Z, 2nd-Order Filter Circuit

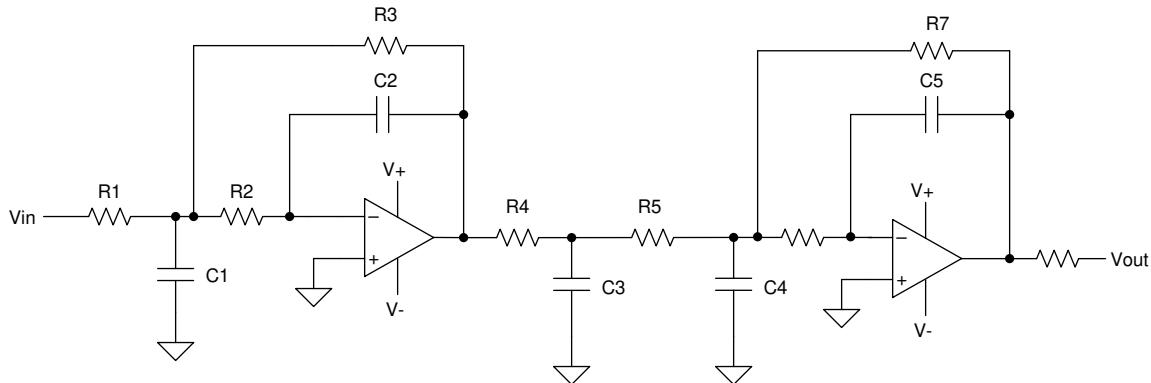


Figure 2. 4th-Order Filter Circuit

2.2 Design Considerations

2.2.1 Filter Topology

A multiple-feedback (MFB) topology was chosen for both designs because of its reliability in high-gain and high-frequency applications. To provide gain to a Sallen-Key filter, two resistors must be added to the typical configuration. However, an MFB filter uses fewer components to provide both higher gains and better stop-band rejection. Another issue with Sallen-Key filters is their high-pass like effects at higher frequencies. To mitigate this effect, larger resistances are needed, leading to greater noise in the overall system.

Both designs are given topologies where a combination of the desired filter gain, quality factor, and corner frequency determine the component values of the design. Equation 1 shows the transfer function of a low-pass MFB filter using the second stage of the High-Z board in Figure 1.

$$A(s) = \frac{-1}{C_1 C_2 R_1 R_2} \frac{1}{S^2 + \frac{R_1 + R_2}{C_1 R_1 R_2} \left(1 + \frac{R_1}{R_3}\right) S + \frac{1}{C_1 C_2 R_2 R_3}} \quad (1)$$

2.2.2 Filter Properties

A 0.05° equiripple linear phase filter was chosen for the type of response for both the High-Z and fourth-order designs. A linear phase filter displays characteristics between that of a Bessel and Butterworth response. By introducing slight ripple into the phase response of the filter, a faster roll-off rate and bandwidth than that of a Bessel filter can be achieved. This linear-phase filter has more overshoot than a Bessel filter but less than that of a Butterworth response. [Table 2](#) shows the quality factors of each filter stage. For more information on the types of low-pass filter responses and their comparisons, see the [How to compare your circuit requirements to active-filter approximations technical brief](#).

Table 2. Quality Factor of Filter Designs

BOARD	STAGE 1	STAGE 2
High-Z	—	0.599
4th-order	0.556	1.06

2.2.3 Noise

In order to minimize the total noise of each filter, op amp noise must be the dominating factor in both designs. The OPA2810 voltage noise is the dominant source of amplifier noise because the OPA2810 is a FET-input device. Components are the largest factor in achieving a lower noise solution because the properties of the OPA2810 are fixed. As a result, noise must be considered when determining component values, along with the quality factor, gain, and cutoff frequency of the filter. [Figure 3](#) and [Figure 4](#) compare the total simulated integrated noise results of both filters, with an equivalent circuit using noiseless resistors. This comparison provides insight to the noise contribution of both the amplifiers and components to the overall system noise.

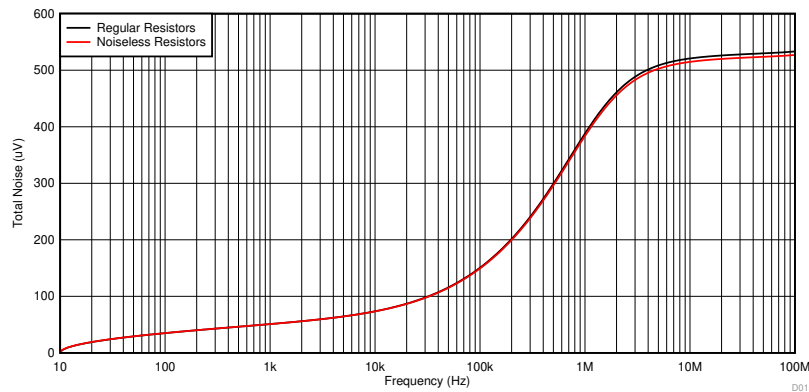


Figure 3. Noise Comparison for the High-Z Board

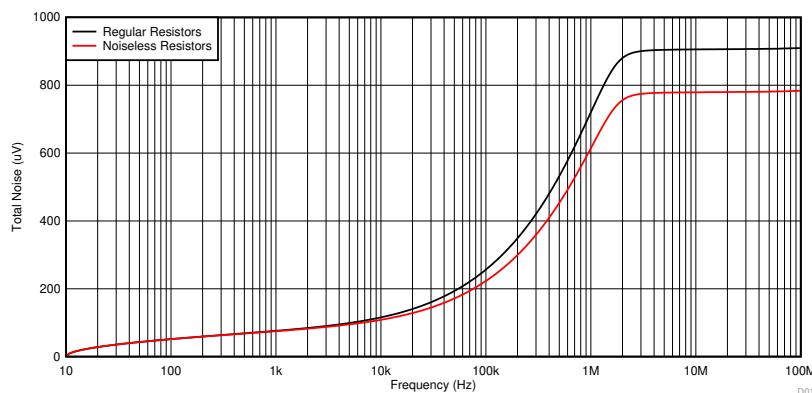


Figure 4. Noise Comparison for the 4th-Order Board

Appendix A of [Design Methodology for MFB Filters in ADC Interface Applications application report](#) describes the effect of each noise source on the final output of an MFB filter. The noticeable resistor noise in the fourth-order filter is a cause of the feedback resistance of the first stage. By lowering this resistance, resistor R1 must also be lowered, reducing the input impedance of the filter even further. If low input impedance is not a concern, the noise of the fourth-order board can be reduced by reducing these gain resistors and adjusting other components of the first stage to maintain the same quality factor and cutoff frequency.

2.3 Highlighted Products

2.3.1 OPA2810

The OPA2810 is a dual-channel, field-effect transistor (FET)-input, voltage-feedback operational amplifier with low input bias current. The OPA2810 is unity-gain stable with a small-signal unity-gain bandwidth of 105 MHz, and offers excellent DC precision and dynamic AC performance at a low quiescent current (I_Q) of 3.6 mA per channel (typical). The OPA2810 is fabricated on Texas Instrument's proprietary, high-speed silicon germanium (SiGe) bipolar CMOS (BiCMOS) process and achieves significant performance improvements over comparable FET-input amplifiers at similar levels of quiescent power. With a gain-bandwidth product (GBWP) of 70 MHz, slew rate of 192 V/ μ s, and low voltage noise of 6 nV/ $\sqrt{\text{Hz}}$, the OPA2810 is well suited for use in a wide range of high-fidelity data-acquisition and signal-processing applications.

The OPA2810 is characterized to operate over a wide supply range of 4.75 V to 27 V, and features rail-to-rail inputs and outputs. The OPA2810 amplifier delivers 75 mA of linear output current, suitable for driving optoelectronics components and analog-to-digital converter (ADC) inputs or buffering digital-to-analog (DAC) outputs into heavy loads.

2.3.2 OPA810

The OPA810 is a single-channel variant of the OPA2810, and could also be used in this design.

3 Hardware, Software, Testing Requirements, and Test Results

3.1 Required Hardware and Software

3.1.1 Hardware

The various hardware inputs and outputs of the TIDA-060021 boards are provided below:

- Terminals TP1, TP2, and TP3 provide inputs to power the board (GND, VCC, and VEE, respectively)
- SMA connectors J1 and J4 provide filter inputs for the High-Z and fourth-order boards, respectively
- SMA connector J3 provides the filter output

3.2 Testing and Results

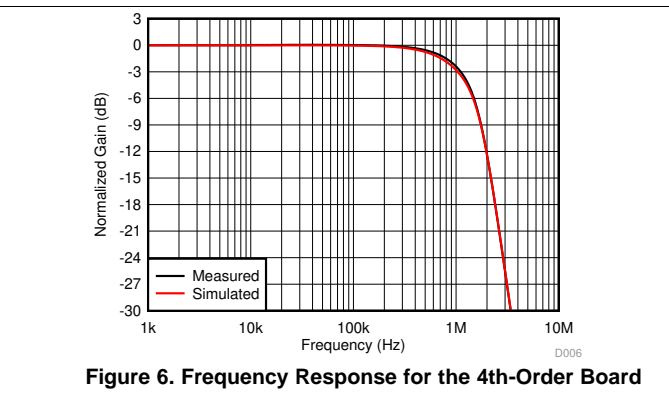
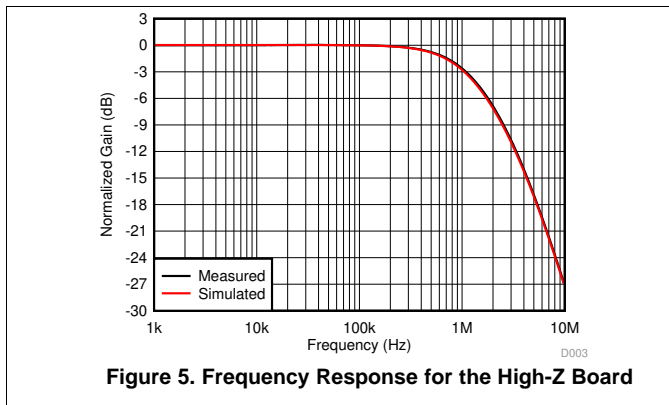
3.2.1 Test Setup

[Section 3.1.1](#) describes the inputs and outputs required to power and run each of the TIDA-060021 boards. Each board is powered with a dual power supply of ± 12 V with output swings dependent on the type of test. The test results are taken at a free-air operating ambient temperature value (T_A) of 25°C with no forced air regulating temperature of the EVM, unless otherwise noted in the results.

3.2.2 Test Results

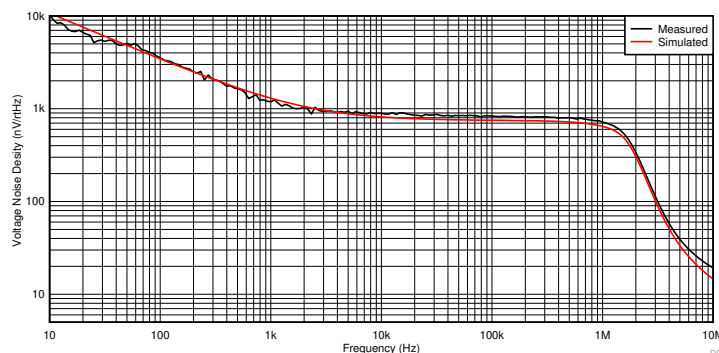
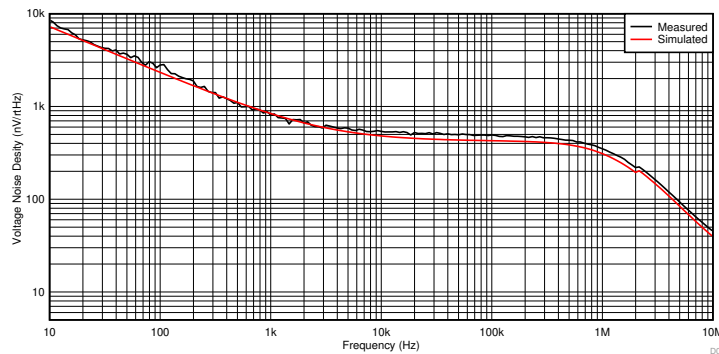
3.2.2.1 Frequency Response

As shown in Figure 5 and Figure 6, the frequency response results closely resemble the data returned during simulations. A large-signal response with an output voltage of 6 V_{PP} is used for the measured data whereas the simulated curve is a small-signal response. Both responses illustrate that at larger outputs, the OPA2810 slew limit is not reached and there is minimal loss in the frequency response of both filters. This minimal loss illustrates that the measured response also matches simulations at lower output levels.



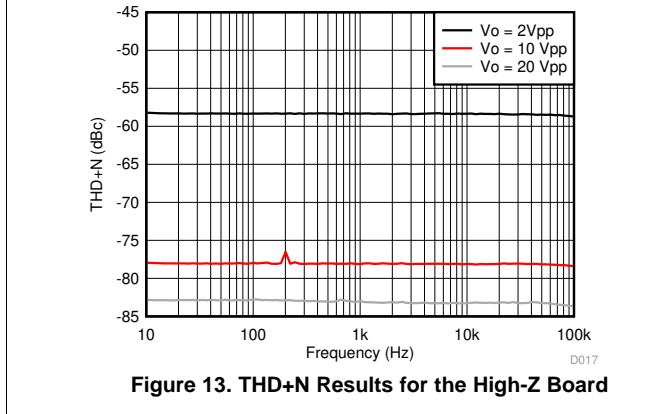
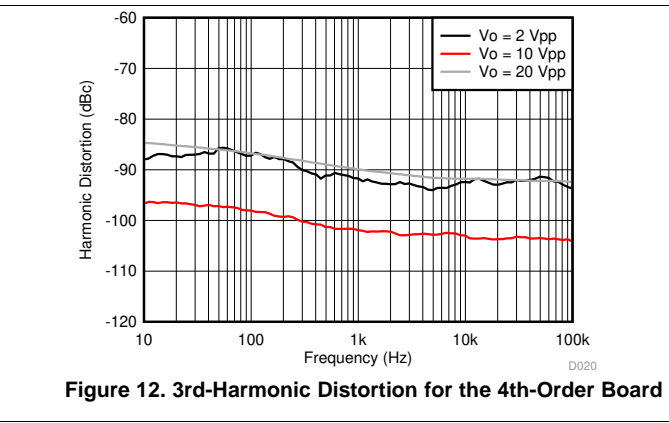
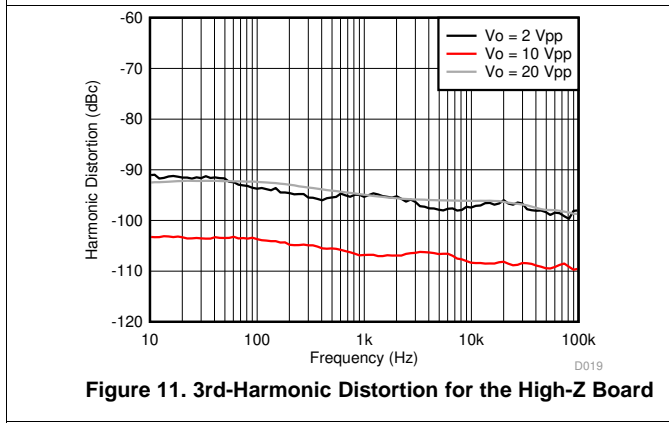
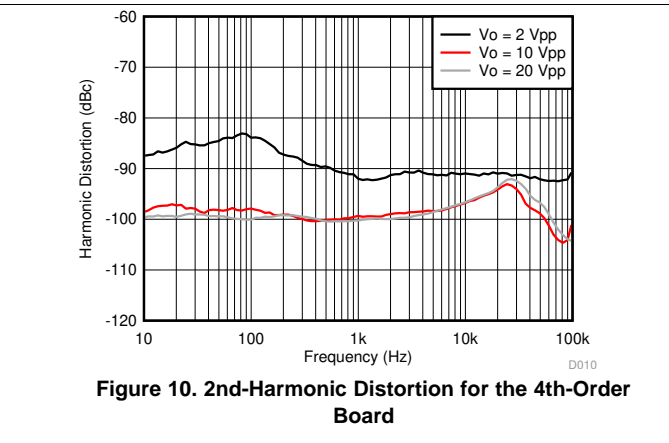
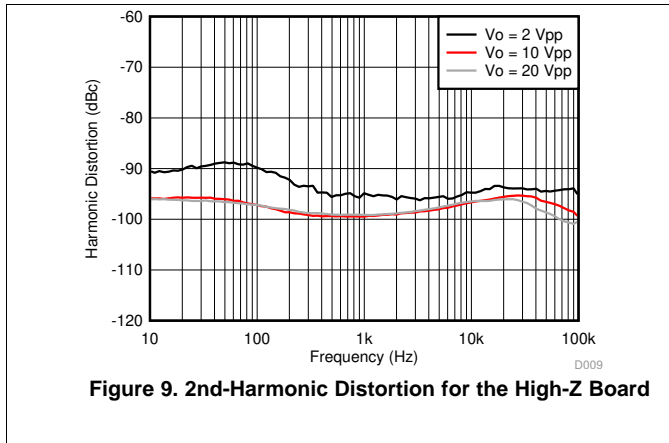
3.2.2.2 Noise

For both boards, the measured noise matched the simulated results. Differences in noise can be attributed to a deviation from of the OPA2810 typical noise specifications and from component tolerances that are then amplified by the high gain of the board. Figure 7 and Figure 8 show noise test results for the High-Z and fourth-order boards, respectively.



3.2.2.3 Distortion

Figure 9 through Figure 12 show the harmonic distortion of both boards. There is increased distortion between these figures and the distortion figure of the OPA2810 data sheet. The data sheet results, however, use a low-gain-test configuration to measure distortion. Figure 13 and Figure 14 display the total harmonic distortion plus noise (THD+N) results of each board, which remain relatively constant over the measured frequency range. This constant result represents the noise floor of each board and illustrates that noise is the dominating factor of THD+N in the frequency range of these figures. Figure 13 and Figure 14 also illustrate that THD+N is improved at larger output voltages because the signal-to-noise ratio (SNR) increases when noise is kept constant when the output signal level increases.



3.2.2.4 Step Response

Figure 15 through Figure 18 show the step responses for the High-Z and fourth-order boards. Although the High-Z board displays an underdamped response, the fourth-order board response is slightly overdamped. In both cases, the quality factor is between that of a Bessel and Butterworth response. The difference in the type of response can be attributed to constraints in component selection and tolerances. This design used FilterPro™ software and E96 resistors. If tighter tolerance resistors are used, similar responses can be achieved for both boards.

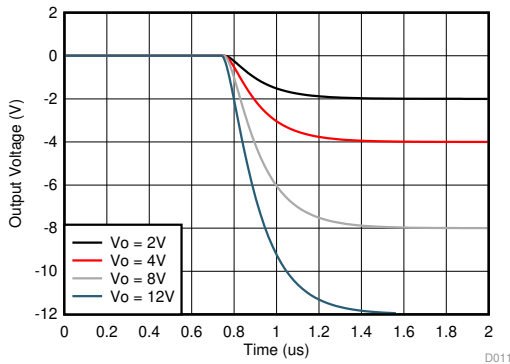


Figure 15. Step Response Simulations for the High-Z Board

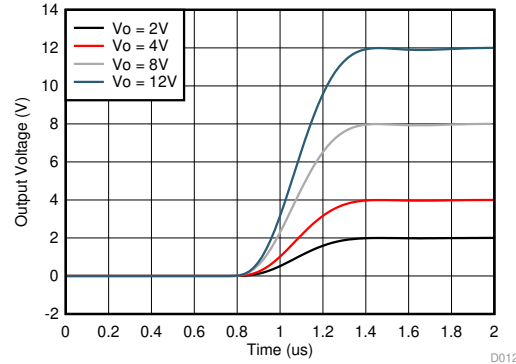


Figure 16. Step Response Simulations for the 4th-Order Board

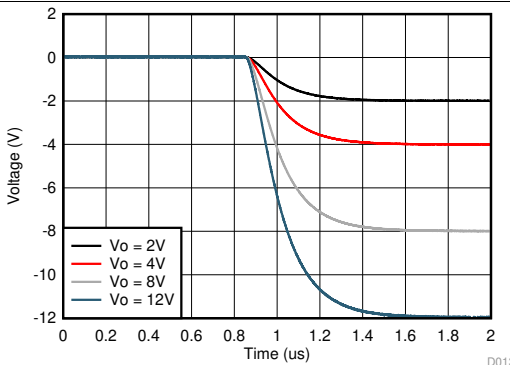


Figure 17. Step Response Results for the High-Z Board

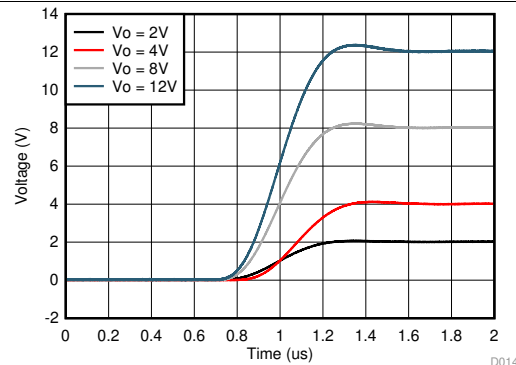


Figure 18. Step Response Results for the 4th-Order Board

4 Design Files

4.1 Schematics

To download the schematics, see the design files at [TIDA-060021](#).

4.2 Bill of Materials

To download the bill of materials (BOM), see the design files at [TIDA-060021](#).

4.3 PCB Layout Recommendations

This design follows the guidelines found in the *Layout* section of the [OPA2810 data sheet](#).

4.3.1 Layout Prints

To download the layer plots, see the design files at [TIDA-060021](#).

4.4 Altium Project

To download the Altium Designer® project files, see the design files at [TIDA-060021](#).

4.5 Gerber Files

To download the Gerber files, see the design files at [TIDA-060021](#).

4.6 Assembly Drawings

To download the assembly drawings, see the design files at [TIDA-060021](#).

5 Software Files

To download the software files, see the design files at [TIDA-060021](#).

6 Related Documentation

1. Texas Instruments, [How to compare your circuit requirements to active-filter approximations technical brief](#)
2. Texas Instruments, [Active low-pass filter design application report](#)
3. Texas Instruments, [Design methodology for MFB filters in ADC interface applications application report](#)
4. Texas Instruments, [OPA2810 Dual-channel, 27-V, rail-to-rail input/output FET-input operational amplifier data sheet](#)

6.1 Trademarks

E2E, FilterPro are trademarks of Texas Instruments.

Altium Designer is a registered trademark of Altium LLC or its affiliated companies.

All other trademarks are the property of their respective owners.

7 About the Author

Sima Jalaleddine is an applications engineer intern in TI's high-speed amplifiers team. She is pursuing her masters degree in Electrical and Computer Engineering at the University of Arizona.

Hasan Babiker is an applications engineer with TI in the high-speed amplifier team. He received his bachelor of science in electrical engineering at the University of Florida.

Revision History

NOTE: Page numbers for previous revisions may differ from page numbers in the current version.

Changes from A Revision (March 2019) to B Revision	Page
-----------------------------------------------------------	-------------

- | | |
|------------------------------------|---|
| • Added OPA810 product folder..... | 1 |
|------------------------------------|---|

Changes from Original (March 2019) to A Revision	Page
---------------------------------------------------------	-------------

- | | |
|---------------------------------------------------------------------------------|---|
| • Replaced 4th-Order Filter Circuit with High-Z, 2nd-Order Filter Circuit | 3 |
| • Replaced High-Z, 2nd-Order Filter Circuit with 4th-Order Filter Circuit | 3 |

IMPORTANT NOTICE AND DISCLAIMER

TI PROVIDES TECHNICAL AND RELIABILITY DATA (INCLUDING DATA SHEETS), DESIGN RESOURCES (INCLUDING REFERENCE DESIGNS), APPLICATION OR OTHER DESIGN ADVICE, WEB TOOLS, SAFETY INFORMATION, AND OTHER RESOURCES "AS IS" AND WITH ALL FAULTS, AND DISCLAIMS ALL WARRANTIES, EXPRESS AND IMPLIED, INCLUDING WITHOUT LIMITATION ANY IMPLIED WARRANTIES OF MERCHANTABILITY, FITNESS FOR A PARTICULAR PURPOSE OR NON-INFRINGEMENT OF THIRD PARTY INTELLECTUAL PROPERTY RIGHTS.

These resources are intended for skilled developers designing with TI products. You are solely responsible for (1) selecting the appropriate TI products for your application, (2) designing, validating and testing your application, and (3) ensuring your application meets applicable standards, and any other safety, security, regulatory or other requirements.

These resources are subject to change without notice. TI grants you permission to use these resources only for development of an application that uses the TI products described in the resource. Other reproduction and display of these resources is prohibited. No license is granted to any other TI intellectual property right or to any third party intellectual property right. TI disclaims responsibility for, and you will fully indemnify TI and its representatives against, any claims, damages, costs, losses, and liabilities arising out of your use of these resources.

TI's products are provided subject to [TI's Terms of Sale](#) or other applicable terms available either on [ti.com](#) or provided in conjunction with such TI products. TI's provision of these resources does not expand or otherwise alter TI's applicable warranties or warranty disclaimers for TI products.

TI objects to and rejects any additional or different terms you may have proposed.

Mailing Address: Texas Instruments, Post Office Box 655303, Dallas, Texas 75265
Copyright © 2022, Texas Instruments Incorporated