

# How to Save Space and BOM Costs by Sharing Microphones across Automotive Subsystems

---



Krunal Maniar

In the cost-driven automotive industry, reducing bill-of-materials (BOM) costs by sharing resources across multiple subsystems (when possible) can give manufacturers an edge. Traditional automotive end-equipments often use independent hardware to control specific functions of the car, and chances to combine functions may be overlooked.

Sharing microphones between different automotive audio subsystems not only saves automakers the cost of a microphone – it eliminates the cost associated with microphone plastic enclosures, wiring and installation. These costs likely outweigh the cost of a microphone or a codec. In this article, I'll discuss an effective way to share hands-free voice command recognition and eCall microphones using TI's automotive-grade [TLV320AIC3109-Q1](#), [TLV320AIC3104-Q1](#) and [TLV320AIC3106-Q1](#) audio codecs.

## A typical application of microphones in vehicles

As shown in [Figure 1-1](#), a typical telematics system with eCall has one dedicated microphone for direct audio communication between the car and local emergency services in an emergency. The microphone signal is digitized using an analog-to-digital converter (ADC) inside a codec, and is eventually transmitted to emergency operators through a connectivity module.

A typical head unit has two audio input sources: one line input to support playback from portable audio output devices such as smartphones and MP3 players, and a microphone input for voice command recognition and hands-free telecommunication.

Therefore, most vehicles use at least two dedicated microphones: one for eCall applications and another for voice command recognition and hands-free telecommunication applications.

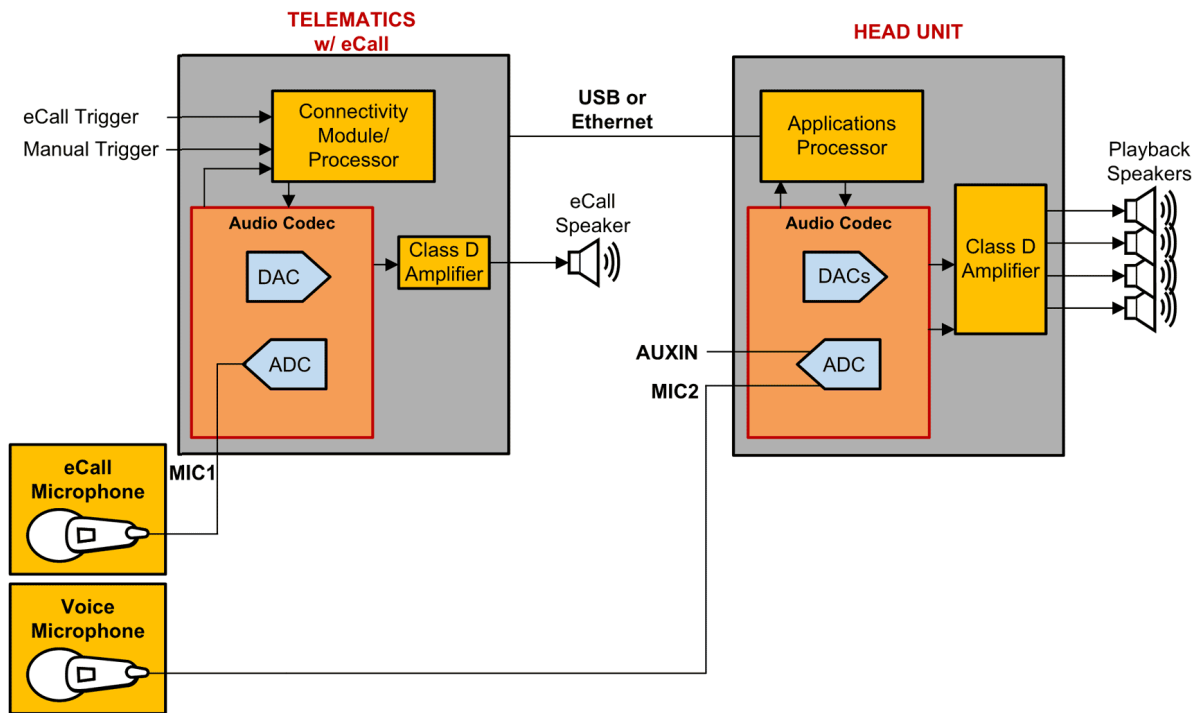


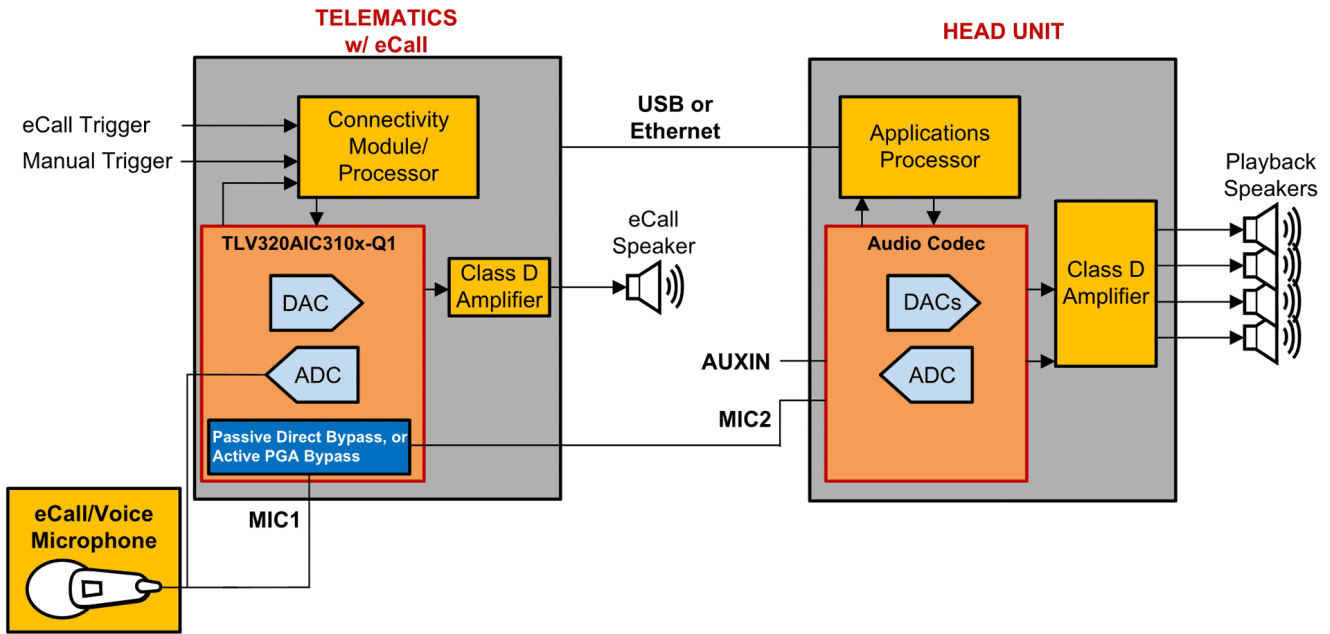
Figure 1-1. A Typical Application Using Dedicated eCall and Voice Microphones

### Sharing a microphone for eCall and voice command recognition

TI's automotive-grade TLV320AIC3109-Q1, TLV320AIC3104-Q1 and TLV320AIC3106-Q1 audio codecs offer two special modes that allow the microphone signal to be routed to the ADC of the codec for eCall and also to the head unit for voice command recognition:

- **Passive direct bypass mode** establishes a direct connection from microphone input to line output, in addition to the regular ADC path. This mode allows the microphone signal to be bypassed directly to the line output passively, without any amplification.
- **Active PGA bypass mode** establishes a buffered connection from microphone input to analog output through a PGA and a mixer, in addition to the regular ADC path. This mode allows the amplification of the microphone signal (if necessary) before the signal is routed to the line or headphone output.

As shown in Figure 1-2, these modes enable you to eliminate one microphone from the system altogether, resulting in reduced cost and space associated with the second microphone, along with reduced cable routing and microphone installation costs.



**Figure 1-2. Sharing eCall and Voice Microphones Using TLV320AIC310x-Q1 Devices**

The application note, “[Different Configurations in TLV320AIC310x-Q1 Codec Family to Enable Sharing eCall and Hands-Free Voice Microphones in Vehicles](#),” explains the different possible configurations, along with example pseudo-code, in both passive direct bypass and active PGA bypass modes.

**Additional resources**

- Explore TI’s portfolio of [low-power, high-performing audio converters](#).
- Learn more about [automotive infotainment](#).

## IMPORTANT NOTICE AND DISCLAIMER

TI PROVIDES TECHNICAL AND RELIABILITY DATA (INCLUDING DATA SHEETS), DESIGN RESOURCES (INCLUDING REFERENCE DESIGNS), APPLICATION OR OTHER DESIGN ADVICE, WEB TOOLS, SAFETY INFORMATION, AND OTHER RESOURCES "AS IS" AND WITH ALL FAULTS, AND DISCLAIMS ALL WARRANTIES, EXPRESS AND IMPLIED, INCLUDING WITHOUT LIMITATION ANY IMPLIED WARRANTIES OF MERCHANTABILITY, FITNESS FOR A PARTICULAR PURPOSE OR NON-INFRINGEMENT OF THIRD PARTY INTELLECTUAL PROPERTY RIGHTS.

These resources are intended for skilled developers designing with TI products. You are solely responsible for (1) selecting the appropriate TI products for your application, (2) designing, validating and testing your application, and (3) ensuring your application meets applicable standards, and any other safety, security, regulatory or other requirements.

These resources are subject to change without notice. TI grants you permission to use these resources only for development of an application that uses the TI products described in the resource. Other reproduction and display of these resources is prohibited. No license is granted to any other TI intellectual property right or to any third party intellectual property right. TI disclaims responsibility for, and you will fully indemnify TI and its representatives against, any claims, damages, costs, losses, and liabilities arising out of your use of these resources.

TI's products are provided subject to [TI's Terms of Sale](#) or other applicable terms available either on [ti.com](https://www.ti.com) or provided in conjunction with such TI products. TI's provision of these resources does not expand or otherwise alter TI's applicable warranties or warranty disclaimers for TI products.

TI objects to and rejects any additional or different terms you may have proposed.

Mailing Address: Texas Instruments, Post Office Box 655303, Dallas, Texas 75265  
Copyright © 2023, Texas Instruments Incorporated