

## OPA356-Q1 200-MHz CMOS Operational Amplifier

### 1 Features

- Qualified For Automotive Applications
- AEC-Q100 Qualified With the Following Results:
  - Device Temperature Grade:  $-40^{\circ}\text{C}$  to  $125^{\circ}\text{C}$
  - Ambient Operating Temperature Range
  - Device HBM ESD Classification Level 2
  - Device CDM ESD Classification Level C6
- Unity-Gain Bandwidth: 450 MHz
- Wide Bandwidth: 200-MHz GBW
- High Slew Rate:  $360\text{ V}/\mu\text{s}$
- Low Noise:  $5.8\text{ nV}/\sqrt{\text{Hz}}$
- Excellent Video Performance:
  - Differential Gain: 0.02%
  - Differential Phase:  $0.05^{\circ}$
  - 0.1-dB Gain Flatness: 75 MHz
- Input Range Includes Ground
- Rail-To-Rail Output (Within 100 mV)
- Low Input Bias Current: 3 pA
- Thermal Shutdown
- Single-Supply Operating Range: 2.5 V to 5.5 V

### 2 Applications

- Infotainment Systems
- ADAS Systems
- Radar
- Dynamic Stability Controls (DSC)

### 3 Description

The OPA356-Q1 is a high-speed voltage-feedback CMOS operational amplifier designed for video and other applications requiring wide bandwidth. The OPA356-Q1 is unity-gain stable and can drive large output currents. Differential gain is 0.02% and differential phase is  $0.05^{\circ}$ . Quiescent current is only 8.3 mA.

The OPA356-Q1 is optimized for operation on single or dual supplies as low as 2.5 V ( $\pm 1.25\text{ V}$ ) and up to 5.5 V ( $\pm 2.75\text{ V}$ ). The common-mode input range for the OPA356-Q1 extends 100 mV below ground and up to 1.5 V from  $V+$ . The output swing is within 100 mV of the rails, supporting wide dynamic range.

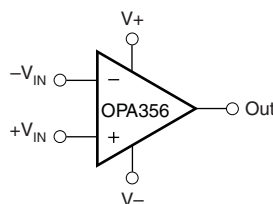
The OPA356-Q1 is available in the SOT23-5 package and is specified over the  $-40^{\circ}\text{C}$  to  $125^{\circ}\text{C}$  range.

#### Device Information<sup>(1)</sup>

PART NUMBER	PACKAGE	BODY SIZE (NOM)
OPA356-Q1	SOT-23 (5)	2.90 mm x 1.60 mm

(1) For all available packages, see the orderable addendum at the end of the datasheet.

#### Simplified Schematic



## Table of Contents

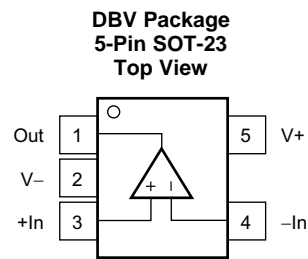
<b>1 Features</b> ..... 1 <b>2 Applications</b> ..... 1 <b>3 Description</b> ..... 1 <b>4 Revision History</b> ..... 2 <b>5 Pin Configuration and Functions</b> ..... 3 <b>6 Specifications</b> ..... 4 6.1 Absolute Maximum Ratings ..... 4 6.2 ESD Ratings..... 4 6.3 Recommended Operating Conditions ..... 4 6.4 Thermal Information ..... 4 6.5 Electrical Characteristics..... 5 6.6 Typical Characteristics ..... 6 <b>7 Detailed Description</b> ..... 11 7.1 Overview ..... 11 7.2 Functional Block Diagram ..... 11 7.3 Feature Description..... 12	7.4 Device Functional Modes..... 12 <b>8 Application and Implementation</b> ..... 13 8.1 Application Information..... 13 8.2 Typical Applications ..... 13 <b>9 Power Supply Recommendations</b> ..... 18 <b>10 Layout</b> ..... 19 10.1 Layout Guidelines ..... 19 10.2 Layout Example ..... 19 <b>11 Device and Documentation Support</b> ..... 20 11.1 Documentation Support ..... 20 11.2 Receiving Notification of Documentation Updates ..... 20 11.3 Community Resources..... 20 11.4 Trademarks ..... 20 11.5 Electrostatic Discharge Caution..... 20 11.6 Glossary ..... 20 <b>12 Mechanical, Packaging, and Orderable Information</b> ..... 20
--	---

## 4 Revision History

NOTE: Page numbers for previous revisions may differ from page numbers in the current version.

Changes from Original (March 2009) to Revision A	Page
• Added <i>Device Information</i> table, <i>ESD Ratings</i> table, <i>Thermal Information</i> table, <i>Feature Description</i> section, <i>Device Functional Modes</i> section, <i>Application and Implementation</i> section, <i>Power Supply Recommendations</i> section, <i>Layout</i> section, <i>Device and Documentation Support</i> section, and <i>Mechanical, Packaging, and Orderable Information</i> section .....	1
• Added AEC-Q100 Qualification Features bullet .....	1
• Deleted <i>Ordering Information</i> table .....	3
• Deleted footnote 2 from <i>Absolute Maximum Ratings</i> table .....	4
• Deleted the SR, $t_r$ , $t_f$ , $t_{settle}$ , and Overload recovery time rows from the <i>Electrical Characteristics</i> table and moved to the <i>Timing Requirements</i> table .....	5
• Changed <i>Layout Guidelines</i> title from <i>PCB Layout</i> .....	19

## 5 Pin Configuration and Functions



### Pin Functions

PIN		I/O	DESCRIPTION
NO.	NAME		
1	Out	O	Output pin
2	V-	—	Negative power supply
3	+In	I	Noninverting input pin
4	-In	I	Inverting input pin
5	V+	—	Positive power supply

## 6 Specifications

### 6.1 Absolute Maximum Ratings

over operating free-air temperature range (unless otherwise noted)<sup>(1)</sup>

		MIN	MAX	UNIT
V <sub>S</sub>	Supply voltage, V+ to V–		7.5	V
V <sub>IN</sub>	Signal input pins voltage range	–0.5	(V+) + 0.5	V
	V– current		10	mA
	Output short-circuit duration <sup>(2)</sup>		Continuous	
T <sub>A</sub>	Operating free-air temperature range	–40	125	°C
T <sub>J</sub>	Junction temperature		160	°C
T <sub>stg</sub>	Storage temperature	–65	150	°C

- (1) Stresses beyond those listed under *Absolute Maximum Ratings* may cause permanent damage to the device. These are stress ratings only, which do not imply functional operation of the device at these or any other conditions beyond those indicated under *Recommended Operating Conditions*. Exposure to absolute-maximum-rated conditions for extended periods may affect device reliability.
- (2) Short-circuit to ground one amplifier per package.

### 6.2 ESD Ratings

		VALUE	UNIT
V <sub>(ESD)</sub>	Electrostatic discharge	Human-body model (HBM), per AEC Q100-002 <sup>(1)</sup>	±2000
		Charged-device model (CDM), per AEC Q100-011	±500

- (1) AEC Q100-002 indicates that HBM stressing shall be in accordance with the ANSI/ESDA/JEDEC JS-001 specification.

### 6.3 Recommended Operating Conditions

over operating free-air temperature range (unless otherwise noted)

		MIN	MAX	UNIT
V <sub>S</sub>	Supply voltage, V– to V+	2.7	5.5	V
T <sub>A</sub>	Operating free-air temperature	–40	125	°C

### 6.4 Thermal Information

THERMAL METRIC <sup>(1)</sup>	OPA356-Q1		UNIT
	DBV (SOT-23)		
	5 PINS		
R <sub>θJA</sub>	Junction-to-ambient thermal resistance	185.0	°C/W
R <sub>θJC(top)</sub>	Junction-to-case (top) thermal resistance	102.5	°C/W
R <sub>θJB</sub>	Junction-to-board thermal resistance	43.9	°C/W
ψ <sub>JT</sub>	Junction-to-top characterization parameter	18.2	°C/W
ψ <sub>JB</sub>	Junction-to-board characterization parameter	43.6	°C/W
R <sub>θJC(bot)</sub>	Junction-to-case (bottom) thermal resistance	N/A	°C/W

- (1) For more information about traditional and new thermal metrics, see the [Semiconductor and IC Package Thermal Metrics](#) application report.

## 6.5 Electrical Characteristics

 $V_S = 2.7\text{ V to }5.5\text{ V}$ ,  $R_F = 604\ \Omega$ ,  $R_L = 150\ \Omega$  connected to  $V_S / 2$  (unless otherwise noted)

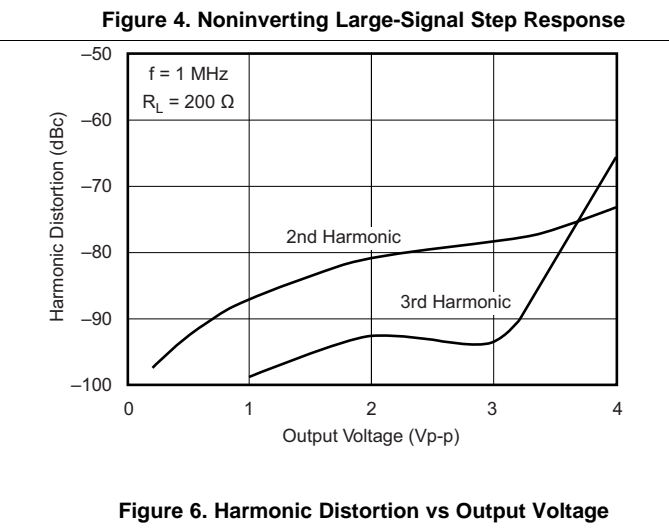
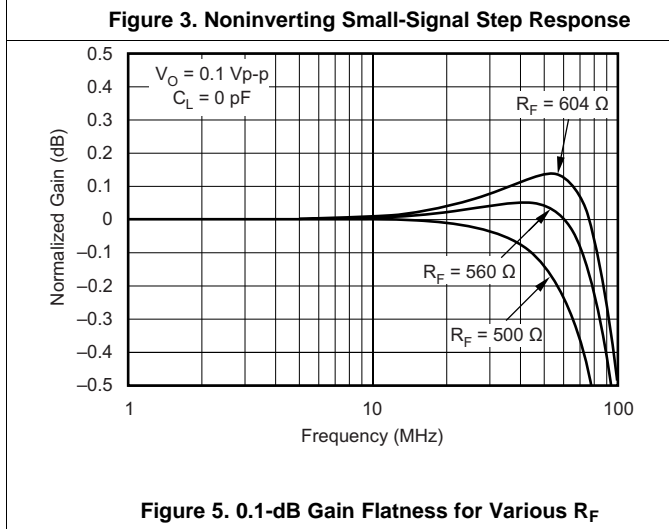
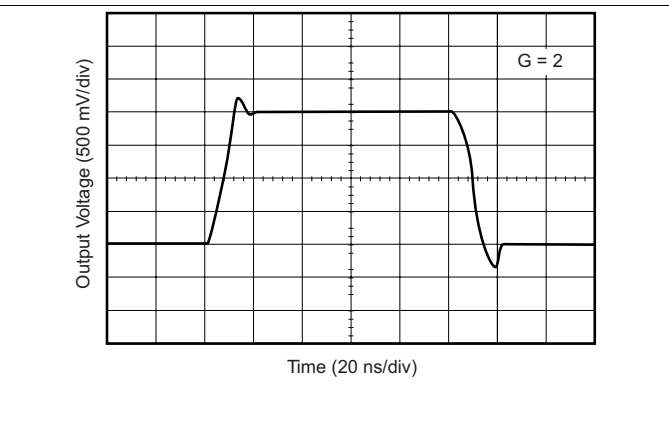
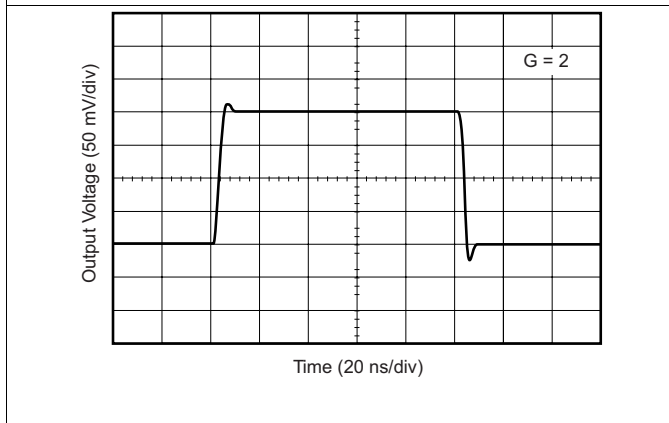
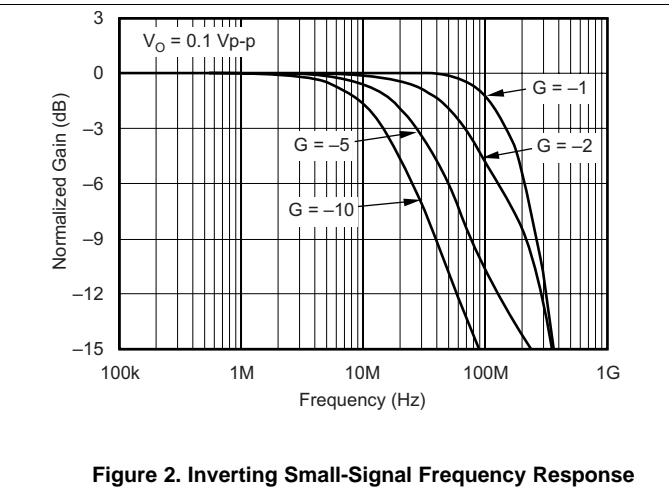
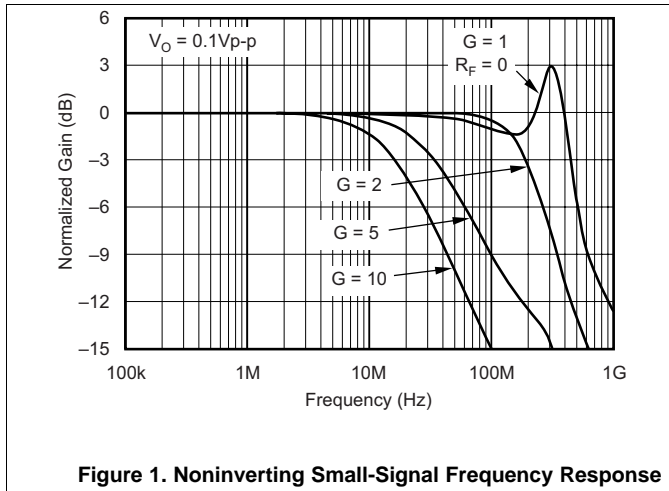
PARAMETER		TEST CONDITIONS	$T_A$ <sup>(1)</sup>	MIN	TYP	MAX	UNIT	
$V_{OS}$	Input offset voltage	$V_S = 5\text{ V}$ , $V_{CM} = V^- + 0.8\text{ V}$	25°C		±2	±9	mV	
			Full range			±15		
$\Delta V_{OS}/\Delta T$	Offset voltage drift over temperature		Full range		±7		µV/°C	
PSRR	Offset voltage drift vs power supply	$V_S = 2.7\text{ V to }5.5\text{ V}$ , $V_{CM} = V_S / 2 - 0.15\text{ V}$	25°C		±80	±350	µV/V	
$I_B$	Input bias current		25°C		3	±50	pA	
$I_{OS}$	Input offset current		25°C		±1	±50	pA	
$V_n$	Input voltage noise density	$f = 1\text{ MHz}$	25°C		5.8		nV/√Hz	
$I_n$	Input current noise density	$f = 1\text{ MHz}$	25°C		50		fA/√Hz	
$V_{CM}$	Input common-mode voltage range		25°C	$V^- - 0.1$		$V^+ - 1.5$	V	
CMRR	Input common-mode rejection ratio	$V_S = 5.5\text{ V}$ , $-0.1\text{ V} < V_{CM} < 4\text{ V}$	25°C	66	80		dB	
			Full range	66				
$Z_{ID}$	Differential input impedance		25°C		$10^{13} \parallel 1.5$		Ω    pF	
$Z_{ICM}$	Common-mode input impedance		25°C		$10^{13} \parallel 1.5$		Ω    pF	
$A_{OL}$	Open-loop gain	$V_S = 5\text{ V}$ , $0.3\text{ V} < V_O < 4.7\text{ V}$	25°C	84	92		dB	
			Full range	80				
$f_{-3dB}$	Small-signal bandwidth	$G = 1$ , $V_O = 100\text{ mVp-p}$ , $R_F = 0\ \Omega$	25°C		450		MHz	
					$G = 2$ , $V_O = 100\text{ mVp-p}$ , $R_L = 50\ \Omega$	100		
					$G = 2$ , $V_O = 100\text{ mVp-p}$ , $R_L = 150\ \Omega$	170		
					$G = 2$ , $V_O = 100\text{ mVp-p}$ , $R_L = 1\text{ k}\Omega$	200		
GBW	Gain-bandwidth product	$G = 10$ , $R_L = 1\text{ k}\Omega$	25°C		200		MHz	
$f_{0.1dB}$	Bandwidth for 0.1-dB gain flatness	$G = 2$ , $V_O = 100\text{ mVp-p}$ , $R_F = 560\ \Omega$	25°C		75		MHz	
SR	Slew rate	$V_S = 5\text{ V}$ , $G = 2$ , 4-V output step	25°C		+300	-360	V/µs	
$t_r$ , $t_f$	Rise and fall times	$G = 2$ , $V_O = 200\text{ mVp-p}$ , 10% to 90%	25°C		2.4		ns	
		$G = 2$ , $V_O = 2\text{ Vp-p}$ , 10% to 90%			8			
$t_{settle}$	Settling time	$V_S = 5\text{ V}$ , $G = 2$ , 2-V output step	25°C		30		ns	
					0.01%	120		
Overload recovery time		$V_{IN} \times \text{Gain} = V_S$	25°C		8		ns	
Harmonic distortion	Second harmonic	$G = 2$ , $f = 1\text{ MHz}$ , $V_O = 2\text{ Vp-p}$ , $R_L = 200\ \Omega$	25°C		-81		dBc	
	Third harmonic		25°C		-93			
Differential gain error		NTSC, $R_L = 150\ \Omega$	25°C		0.02%			
Differential phase error		NTSC, $R_L = 150\ \Omega$	25°C		0.05		°	
Voltage output swing from rail		$V_S = 5\text{ V}$ , $R_L = 150\ \Omega$ , $A_{OL} > 84\text{ dB}$	25°C		0.2	0.3	V	
		$V_S = 5\text{ V}$ , $R_L = 1\text{ k}\Omega$			0.1			
		$V_S = 5\text{ V}$ , $R_L = 50\ \Omega$			0.4	0.6		
$I_O$	Output current <sup>(2)</sup>	Continuous	25°C		±60		mA	
		Peak			$V_S = 5\text{ V}$	±100		
		$V_S = 3\text{ V}$			±80			
Short-circuit current			25°C		+250	-200	mA	
Closed-loop output impedance			25°C		0.02		Ω	
$I_Q$	Quiescent current	$V_S = 5\text{ V}$ , $I_O = 0$	25°C		8.3	11	mA	
			Full range			14		
Thermal shutdown junction temperature		Shutdown	25°C		160		°C	
		Reset from shutdown			140			

(1) Full range  $T_A = -40^\circ\text{C}$  to  $125^\circ\text{C}$ .

(2) See Figure 20.

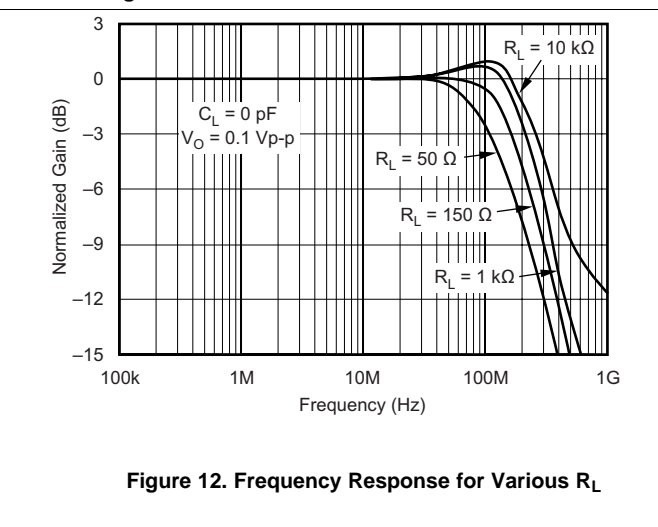
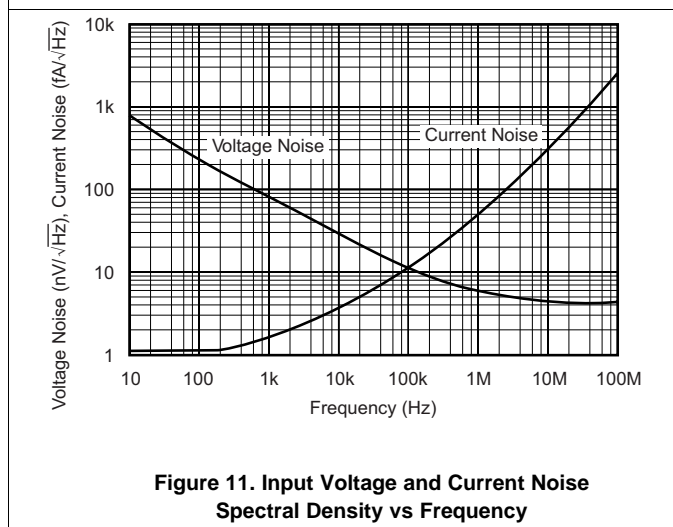
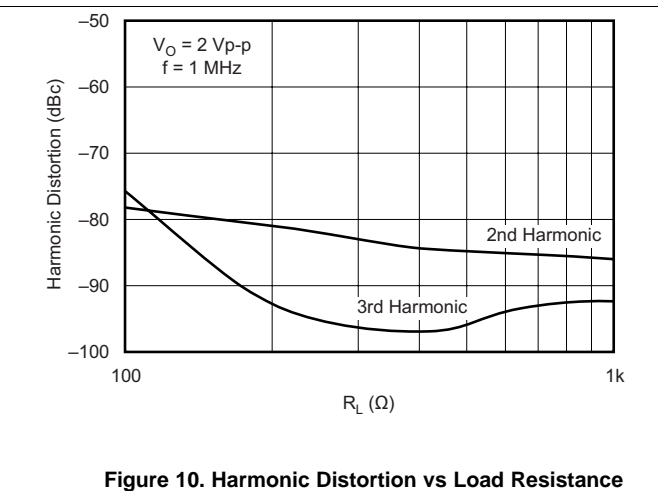
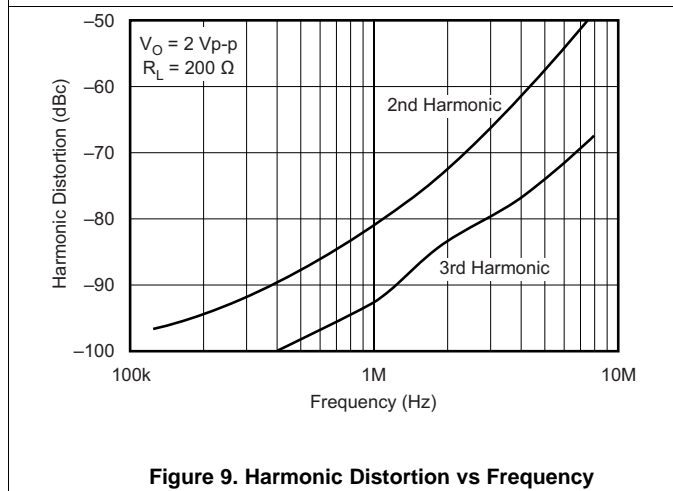
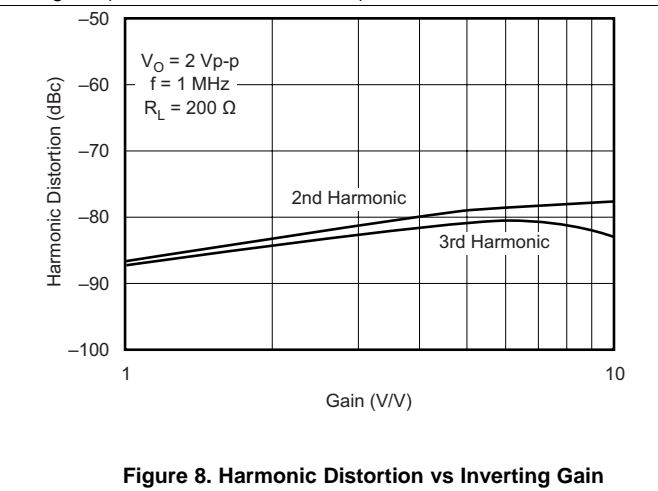
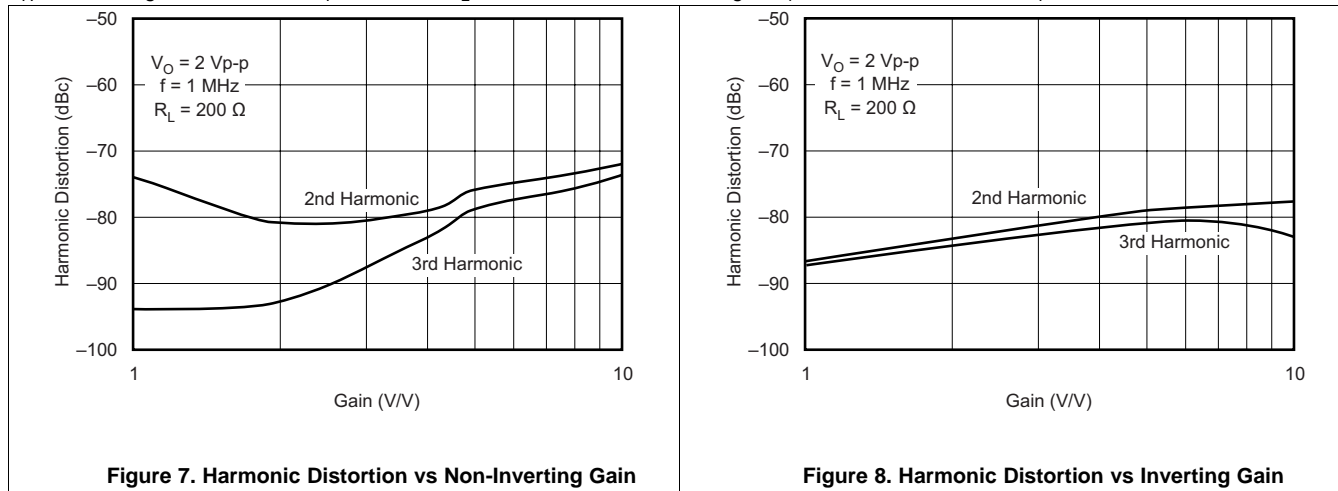
## 6.6 Typical Characteristics

$T_A = 25^\circ\text{C}$ ,  $V_S = 5\text{ V}$ ,  $G = 2$ ,  $R_F = 604\ \Omega$ ,  $R_L = 150\ \Omega$  connected to  $V_S / 2$  (unless otherwise noted)



Typical Characteristics (continued)

$T_A = 25^\circ\text{C}$ ,  $V_S = 5\text{ V}$ ,  $G = 2$ ,  $R_F = 604\ \Omega$ ,  $R_L = 150\ \Omega$  connected to  $V_S / 2$  (unless otherwise noted)



Typical Characteristics (continued)

$T_A = 25^\circ\text{C}$ ,  $V_S = 5\text{ V}$ ,  $G = 2$ ,  $R_F = 604\ \Omega$ ,  $R_L = 150\ \Omega$  connected to  $V_S / 2$  (unless otherwise noted)

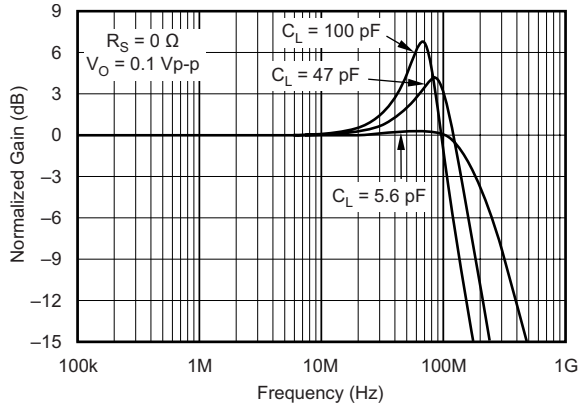


Figure 13. Frequency Response for Various  $C_L$

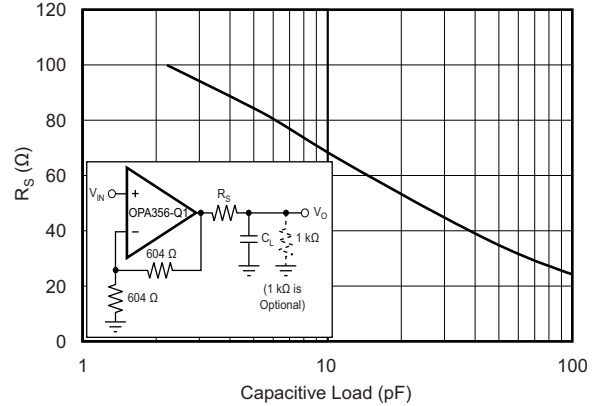


Figure 14. Recommended  $R_S$  vs Capacitive Load

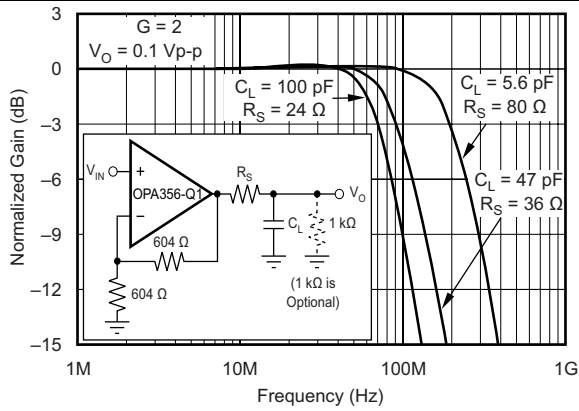


Figure 15. Frequency Response vs Capacitive Load

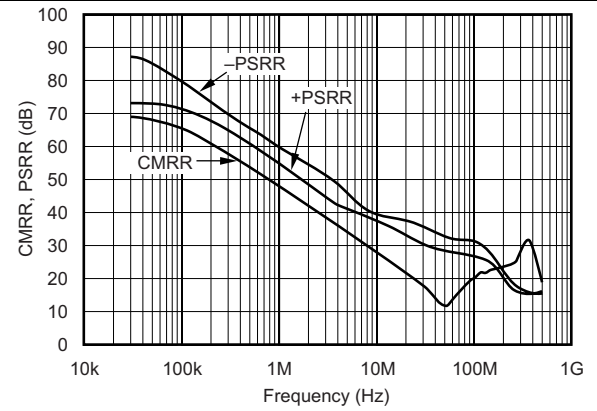


Figure 16. Common-Mode Rejection Ratio and Power-Supply Rejection Ratio vs Frequency

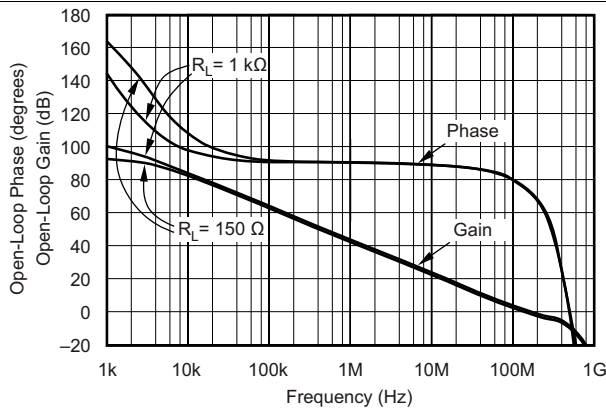


Figure 17. Open-Loop Gain and Phase

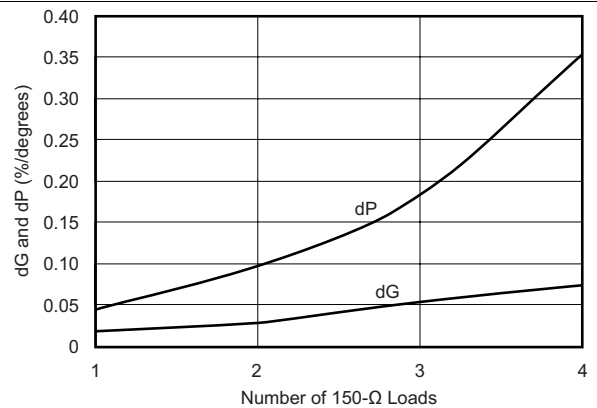
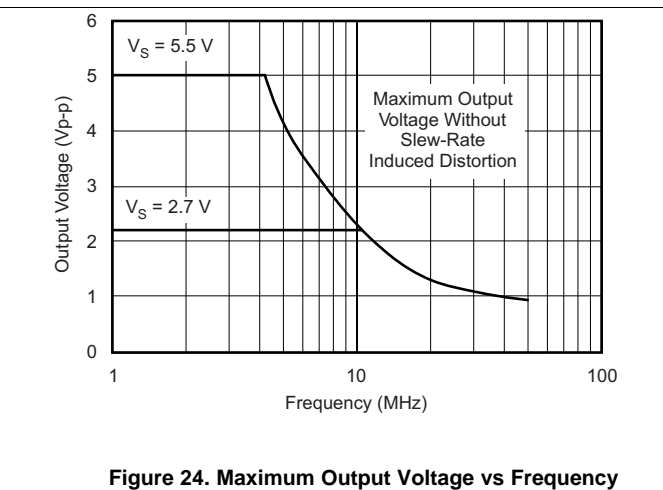
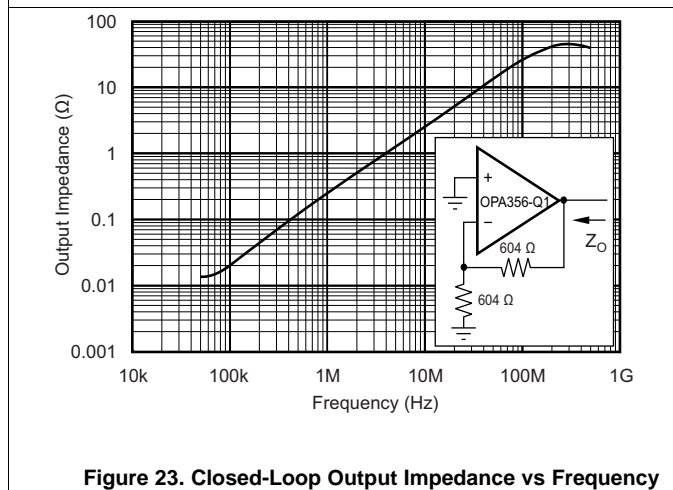
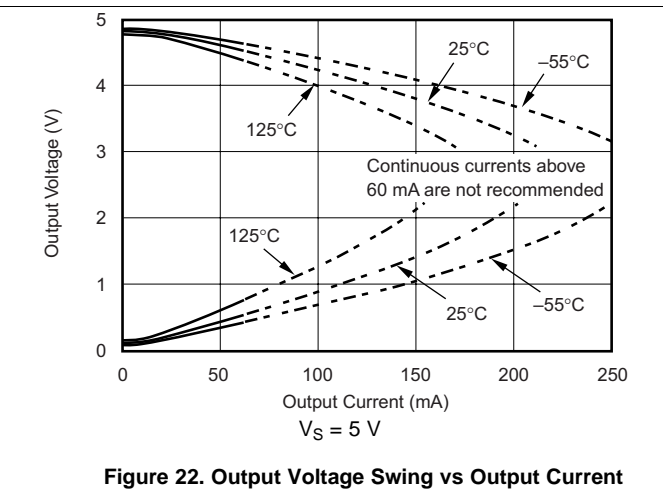
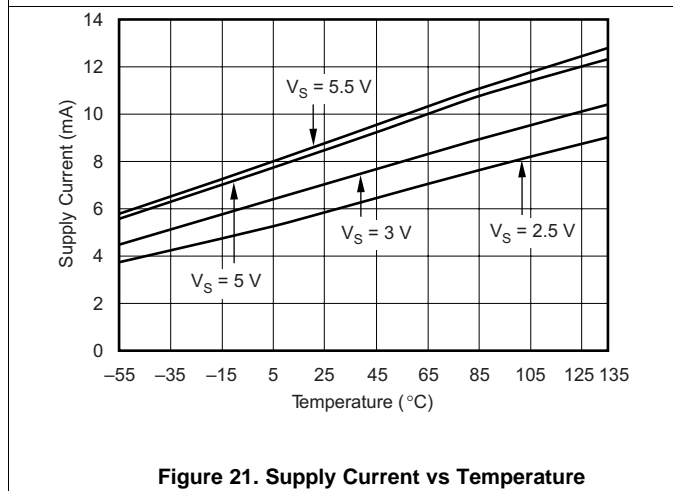
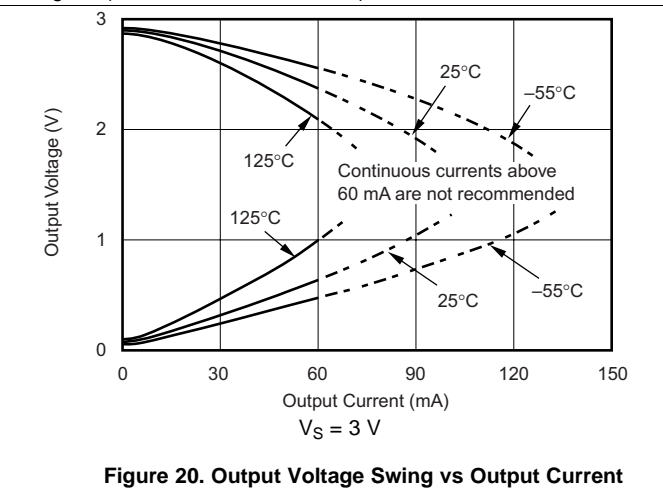
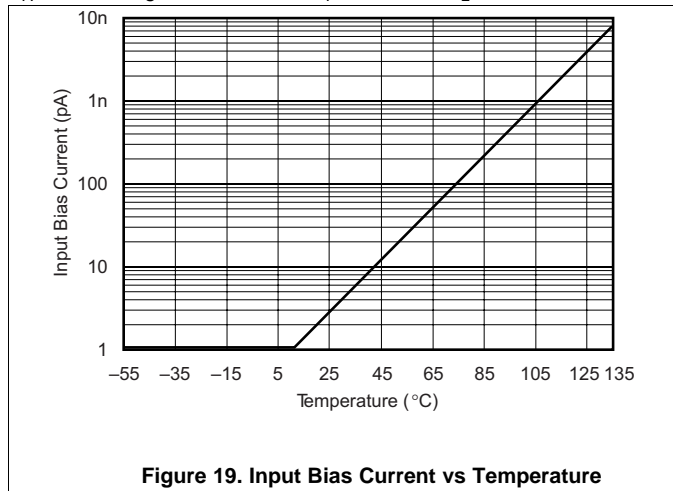


Figure 18. Composite Video Differential Gain and Phase



Typical Characteristics (continued)

$T_A = 25^\circ\text{C}$ ,  $V_S = 5\text{ V}$ ,  $G = 2$ ,  $R_F = 604\ \Omega$ ,  $R_L = 150\ \Omega$  connected to  $V_S / 2$  (unless otherwise noted)



Typical Characteristics (continued)

$T_A = 25^\circ\text{C}$ ,  $V_S = 5\text{ V}$ ,  $G = 2$ ,  $R_F = 604\ \Omega$ ,  $R_L = 150\ \Omega$  connected to  $V_S / 2$  (unless otherwise noted)

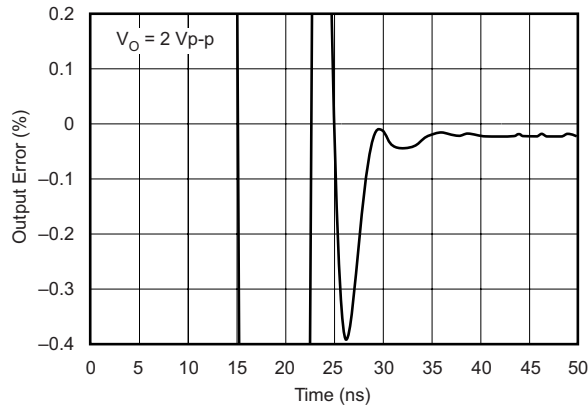


Figure 25. Output Settling Time to 0.1%

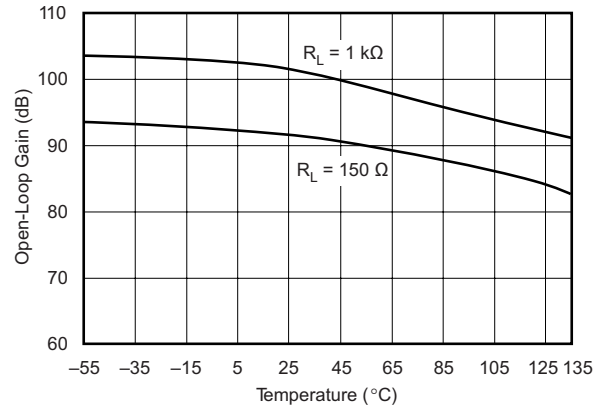


Figure 26. Open-Loop Gain vs Temperature

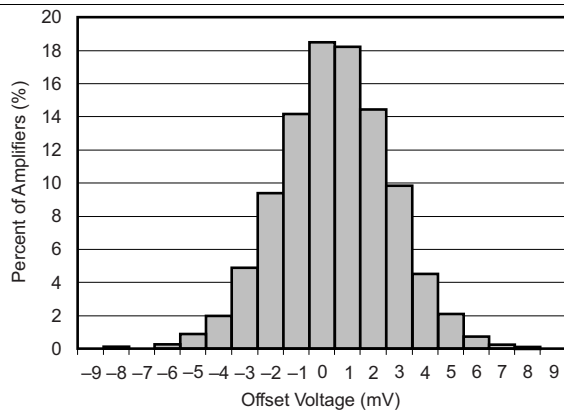


Figure 27. Offset Voltage Production Distribution

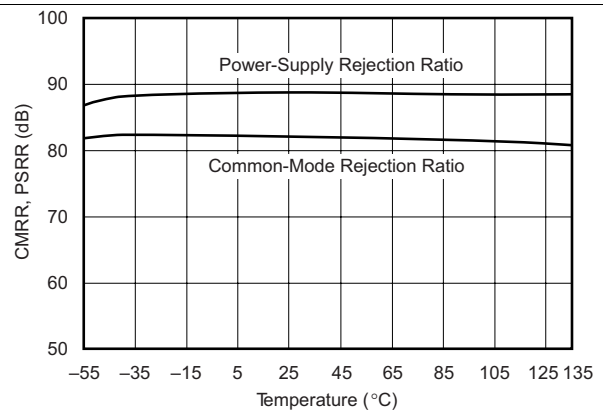


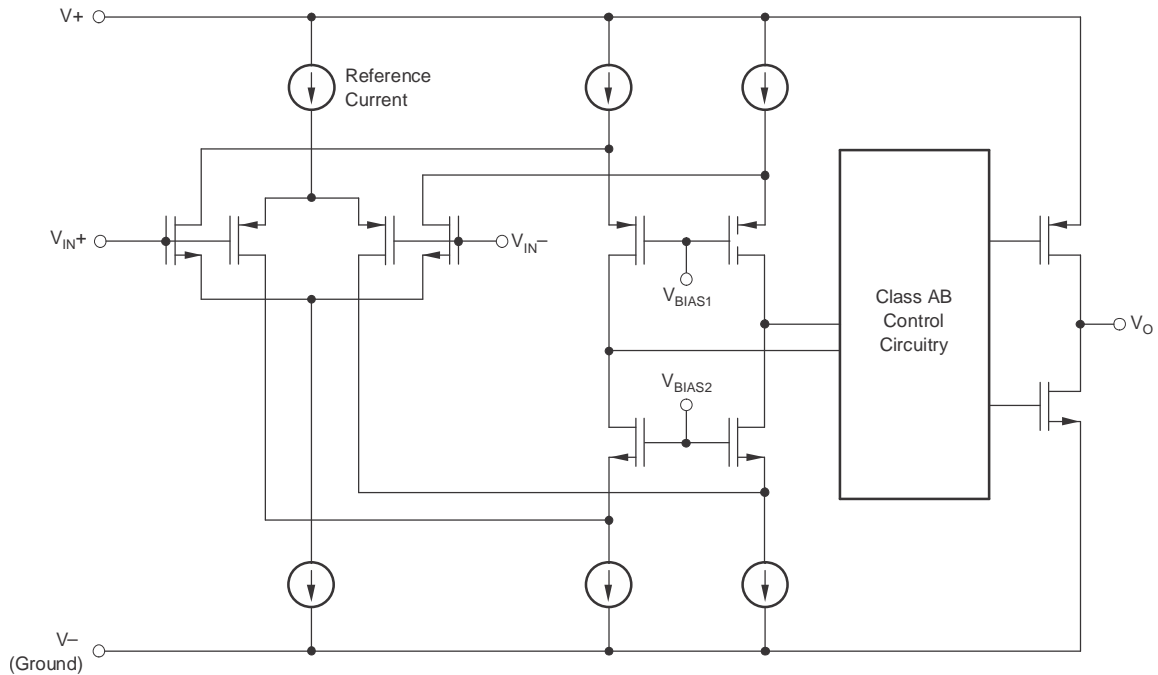
Figure 28. Common-Mode Rejection Ratio and Power-Supply Rejection Ratio vs Temperature

## 7 Detailed Description

### 7.1 Overview

The OPA356-Q1 operational amplifier is a high-speed, 360-V/ $\mu$ s, amplifier, making the device a great option for transimpedance applications. The device is unity-gain stable and can operate on a single-supply voltage (2.7 V to 5.5 V), or a split-supply voltage ( $\pm 1.35$  V to  $\pm 2.75$  V), making the device highly versatile and simple to use. The OPA356-Q1 amplifier is specified from 2.7 V to 5.5 V and over the automotive temperature range of  $-40^{\circ}\text{C}$  to  $+125^{\circ}\text{C}$ .

### 7.2 Functional Block Diagram



## 7.3 Feature Description

### 7.3.1 Operating Voltage

The OPA356-Q1 is specified over a power-supply range of 2.7 V to 5.5 V ( $\pm 1.35$  V to  $\pm 2.75$  V). However, the supply voltage may range from 2.5 V to 5.5 V ( $\pm 1.25$  V to  $\pm 2.75$  V). Supply voltages higher than 7.5 V (absolute maximum) can permanently damage the amplifier.

Parameters that vary significantly over supply voltage or temperature are shown in the [Typical Characteristics](#) section of this data sheet.

### 7.3.2 Output Drive

The output stage of the OPA356-Q1 is capable of driving a standard back-terminated 75- $\Omega$  video cable. A back-terminated transmission line does not exhibit a capacitive load to its driver. A properly back-terminated 75- $\Omega$  cable does not appear as capacitance; the cable presents only a 150- $\Omega$  resistive load to the OPA356-Q1 output.

The output stage can supply high short-circuit current (typically over 200 mA). Therefore, an on-chip thermal shutdown circuit is provided to protect the OPA356-Q1 from dangerously high junction temperatures. At 160°C, the protection circuit shuts down the amplifier. Normal operation resumes when the junction temperature cools to below 140°C.

---

#### NOTE

TI does not recommend running a continuous dc current in excess of  $\pm 60$  mA. See [Figure 20](#) in the [Typical Characteristics](#) section.

---

## 7.4 Device Functional Modes

The OPA356-Q1 is powered on when the supply is connected. The device can operate as a single-supply operational amplifier or dual-supply amplifier depending on the application. The device can also be used with asymmetrical supplies as long as the differential voltage ( $V_-$  to  $V_+$ ) is at least 1.8 V and no greater than 5.5 V (for example,  $V_-$  is set to  $-3.5$  V and  $V_+$  is set to 1.5 V).

## 8 Application and Implementation

### 8.1 Application Information

The OPA355-Q1 is a CMOS, high-speed, voltage-feedback, operational amplifier (op-amp) designed for general-purpose applications.

The amplifier features a 200-MHz gain bandwidth and 300-V/ $\mu$ s slew rate, but the device is unity-gain stable and operates as a 1-V/V voltage follower.

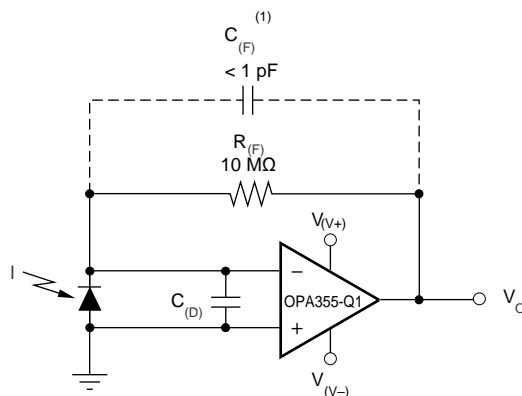
The input common-mode voltage range of the device includes ground, which allows the OPA356-Q1 to be used in virtually any single-supply application up to a supply voltage of 5.5 V.

### 8.2 Typical Applications

#### 8.2.1 Transimpedance Amplifier

Wide gain bandwidth, low input bias current, low input voltage, and current noise make the OPA356-Q1 a preferred wideband photodiode transimpedance amplifier. Low-voltage noise is important because photodiode capacitance causes the effective noise gain of the circuit to increase at high frequency.

The key elements to a transimpedance design, as shown in [Figure 29](#), are the expected diode capacitance ( $C_{(D)}$ ), which must include the parasitic input common-mode and differential-mode input capacitance (4 pF + 5 pF), the desired transimpedance gain ( $R_{(FB)}$ ), and the gain-bandwidth (GBW) for the OPA356-Q1 (20 MHz). With these three variables set, the feedback capacitor value ( $C_{(FB)}$ ) is set to control the frequency response.  $C_{(FB)}$  includes the stray capacitance of  $R_{(FB)}$ , which is 0.2 pF for a typical surface-mount resistor.



(1)  $C_{(FB)}$  is optional to prevent gain peaking.  $C_{(FB)}$  includes the stray capacitance of  $R_{(FB)}$ .

**Figure 29. Dual-Supply Transimpedance Amplifier**

#### 8.2.1.1 Design Requirements

PARAMETER	VALUE
Supply voltage $V_{(V+)}$	2.5 V
Supply voltage $V_{(V-)}$	-2.5 V

#### 8.2.1.2 Detailed Design Procedure

To achieve a maximally-flat, second-order Butterworth frequency response, the feedback pole must be set to:

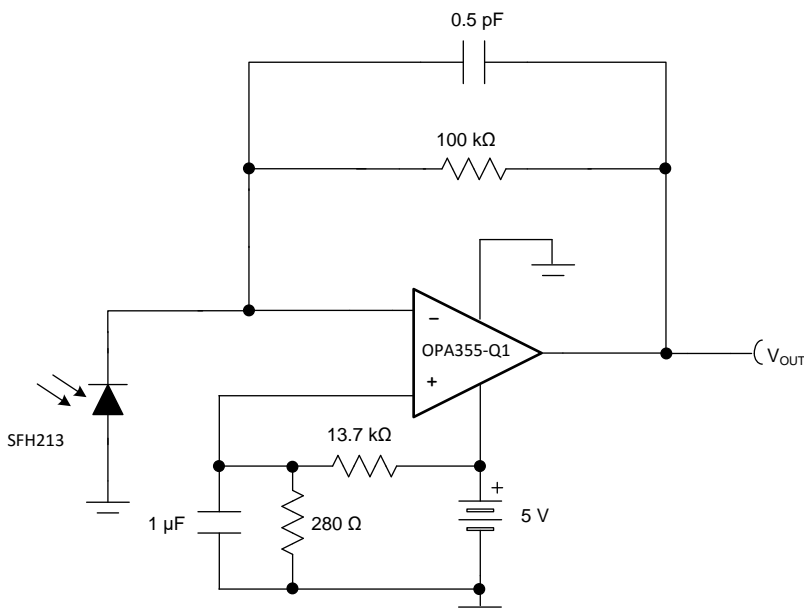
$$\frac{1}{2 \times \pi \times R_{(FB)} \times C_{(FB)}} = \sqrt{\frac{\text{GBW}}{4 \times \pi \times R_{(FB)} \times C_{(D)}}} \quad (1)$$

Use [Equation 2](#) to calculate the bandwidth.

$$f_{(-3 \text{ dB})} = \sqrt{\frac{\text{GBW}}{2 \times \pi \times R_{(FB)} \times C_{(D)}}} \quad (2)$$

For other transimpedance bandwidths, consider the high-speed CMOS [OPA380](#) (90-MHz GBW), [OPA354](#) (100-MHz GBW), [OPA300](#) (180-MHz GBW), [OPA355](#) (200-MHz GBW), or [OPA656](#) and [OPA657](#) (400-MHz GBW).

For single-supply applications, the +INx input can be biased with a positive DC voltage to allow the output to reach true zero when the photodiode is not exposed to any light, and respond without the added delay that results from coming out of the negative rail; this configuration is shown in [Figure 30](#). This bias voltage appears across the photodiode, providing a reverse bias for faster operation.



**Figure 30. Single-Supply Transimpedance Amplifier**

For additional information, see the [Compensate Transimpedance Amplifiers Intuitively](#) application bulletin.

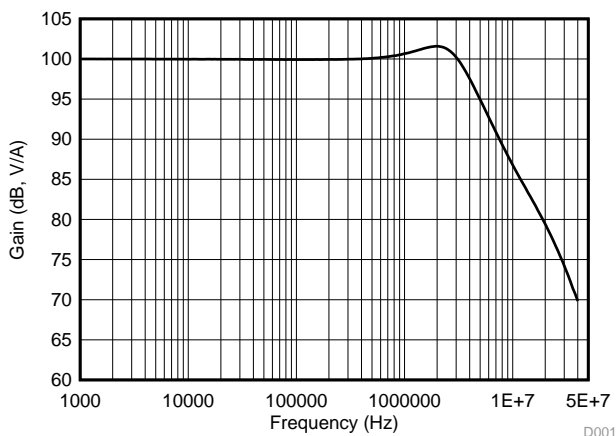
#### 8.2.1.2.1 Optimizing The Transimpedance Circuit

To achieve the best performance, select components according to the following guidelines:

1. For lowest noise, select  $R_{(FB)}$  to create the total required gain. Using a lower value for  $R_{(FB)}$  and adding gain after the transimpedance amplifier generally produces poorer noise performance. The noise produced by  $R_{(FB)}$  increases with the square-root of  $R_{(FB)}$ , whereas the signal increases linearly. Therefore, signal-to-noise ratio improves when all the required gain is placed in the transimpedance stage.
2. Minimize photodiode capacitance and stray capacitance at the summing junction (inverting input). This capacitance causes the voltage noise of the op amp to amplify (increasing amplification at high frequency). Using a low-noise voltage source to reverse-bias a photodiode can significantly reduce the capacitance. Smaller photodiodes have lower capacitance. Use optics to concentrate light on a small photodiode.
3. Noise increases with increased bandwidth. Limit the circuit bandwidth to only that required. Use a capacitor across the  $R_{(FB)}$  to limit bandwidth, even if not required for stability.
4. Circuit board leakage can degrade the performance of an otherwise well-designed amplifier. Clean the circuit board carefully. A circuit board guard trace that encircles the summing junction and is driven at the same voltage can help control leakage.

For additional information, see the [Noise Analysis of FET Transimpedance Amplifiers](#) and [Noise Analysis for High-Speed Op Amps](#) application bulletins).

### 8.2.1.3 Application Curve



-3 dB bandwidth is 4.56 MHz

Figure 31. AC Transfer Function

### 8.2.2 High-Impedance Sensor Interface

Many sensors have high source impedances that may range up to 10 MΩ, or even higher. The output signal of sensors often must be amplified or otherwise conditioned by means of an amplifier. The input bias current of this amplifier can load the sensor output and cause a voltage drop across the source resistance, as shown in Figure 32, where  $V_{(+INx)} = V_S - I_{(BIAS)} \times R_{(S)}$ . The last term,  $I_{(BIAS)} \times R_{(S)}$ , shows the voltage drop across  $R_{(S)}$ . To prevent errors introduced to the system as a result of this voltage, an op amp with very low input bias current must be used with high impedance sensors. This low current keeps the error contribution by  $I_{(BIAS)} \times R_{(S)}$  less than the input voltage noise of the amplifier, so that the input voltage noise does not become the dominant noise factor. The OPA356-Q1 op amp features very low input bias current (typically 200 fA), and is therefore a preferred choice for such applications.

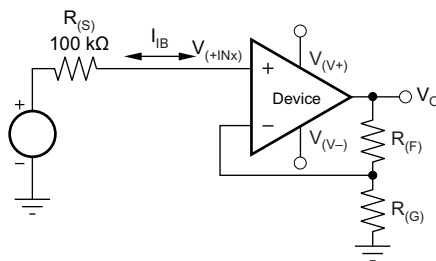
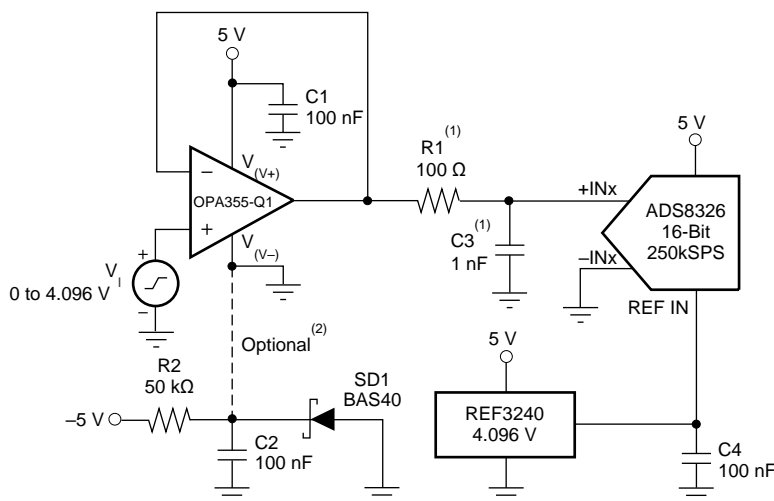


Figure 32. Noise as a Result of  $I_{(BIAS)}$

### 8.2.3 Driving ADCs

The OPA356-Q1 op amps are designed for driving sampling analog-to-digital converters (ADCs) with sampling speeds up to 1 MSPS. The zero-crossover distortion input stage topology allows the OPA356-Q1 to drive ADCs without degradation of differential linearity and THD.

The OPA356-Q1 can be used to buffer the ADC switched input capacitance and resulting charge injection while providing signal gain. Figure 33 shows the OPA356-Q1 configured to drive the ADS8326.



(1) Suggested value; may require adjustment based on specific application.

(2) Single-supply applications lose a small number of ADC codes near ground as a result of op amp output swing limitation. If a negative power supply is available, this simple circuit creates a  $-0.3\text{-V}$  supply to allow output swing to true ground potential.

**Figure 33. Driving the ADS8326**

### 8.2.4 Active Filter

The OPA356-Q1 is designed for active filter applications that require a wide bandwidth, fast slew rate, low-noise, single-supply operational amplifier. Figure 34 depicts a 500-kHz, second-order, low-pass filter using the multiple-feedback (MFB) topology. The components are selected to provide a maximally-flat Butterworth response. Beyond the cutoff frequency, roll-off is  $-40\text{ dB/dec}$ . The Butterworth response is preferred for applications requiring predictable gain characteristics, such as the anti-aliasing filter used in front of an ADC.

One point to observe when considering the MFB filter is that the output is inverted, relative to the input. If this inversion is not required, or not desired, a noninverting output can be achieved through one of the following options:

1. Adding an inverting amplifier
2. Adding an additional second-order MFB stage
3. Using a noninverting filter topology, such as the Sallen-Key (see Figure 35).

MFB and Sallen-Key, low-pass and high-pass filter synthesis is quickly accomplished using TI's FilterPro™ program. This software is available as a free download at [www.ti.com](http://www.ti.com).



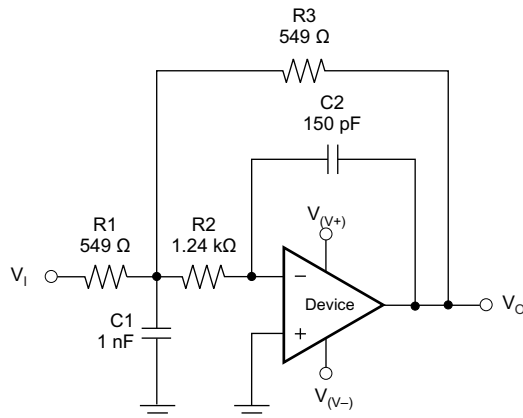


Figure 34. Second-Order Butterworth 500-kHz Low-Pass Filter

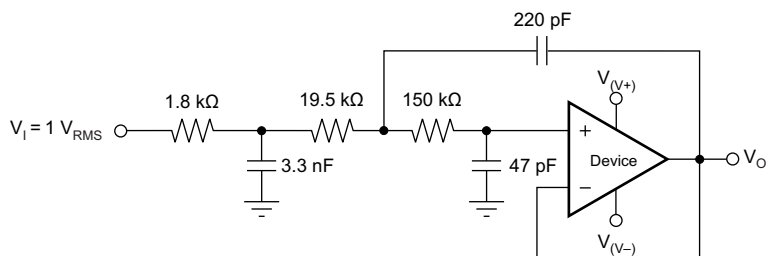


Figure 35. OPA356-Q1 Configured as a Three-Pole, 20-kHz, Sallen-Key Filter

## 9 Power Supply Recommendations

The OPA356-Q1 is specified for operation from 2.7 to 5.5 V ( $\pm 1.35$  to  $\pm 2.75$  V); many specifications apply from  $-40^{\circ}\text{C}$  to  $+125^{\circ}\text{C}$ . Parameters that can exhibit significant variance with regard to operating voltage or temperature are shown in the [Typical Characteristics](#) section.

Place 0.1- $\mu\text{F}$  bypass capacitors close to the power-supply pins to reduce errors coupling in from noisy or high-impedance power supplies. For more detailed information on bypass capacitor placement, see the [Layout Guidelines](#) section.

Power dissipation depends on power-supply voltage, signal and load conditions. With DC signals, power dissipation is equal to the product of output current times the voltage across the conducting output transistor,  $V_S - V_O$ . Minimize power dissipation by using the lowest possible power-supply voltage required to ensure the required output voltage swing.

For resistive loads, the maximum power dissipation occurs at a DC output voltage of one-half the power-supply voltage. Dissipation with AC signals is lower. Application bulletin AB-039, *Power Amplifier Stress and Power Handling Limitations* explains how to calculate or measure power dissipation with unusual signals and loads, and is available on [www.ti.com](http://www.ti.com).

Any tendency to activate the thermal protection circuit indicates excessive power dissipation or an inadequate heat sink. For reliable operation, limit junction temperature to  $150^{\circ}\text{C}$  maximum. To estimate the margin of safety in a complete design, increase the ambient temperature to trigger the thermal protection at  $160^{\circ}\text{C}$ . The thermal protection must trigger more than  $35^{\circ}\text{C}$  above the maximum expected ambient condition of the application.

## 10 Layout

### 10.1 Layout Guidelines

- Good high-frequency PC board layout techniques should be employed for the OPA356-Q1. Generous use of ground planes, short direct signal traces, and a suitable bypass capacitor located at the V+ pin assure clean, stable operation. Large areas of copper also provide a means of dissipating heat that is generated within the amplifier in normal operation.
- Sockets are definitely not recommended for use with any high-speed amplifier.
- A 10- $\mu$ F ceramic bypass capacitor is the minimum recommended value; adding a 1- $\mu$ F or larger tantalum capacitor in parallel can be beneficial when driving a low-resistance load. Providing adequate bypass capacitance is essential to achieving very low harmonic and intermodulation distortion.

### 10.2 Layout Example

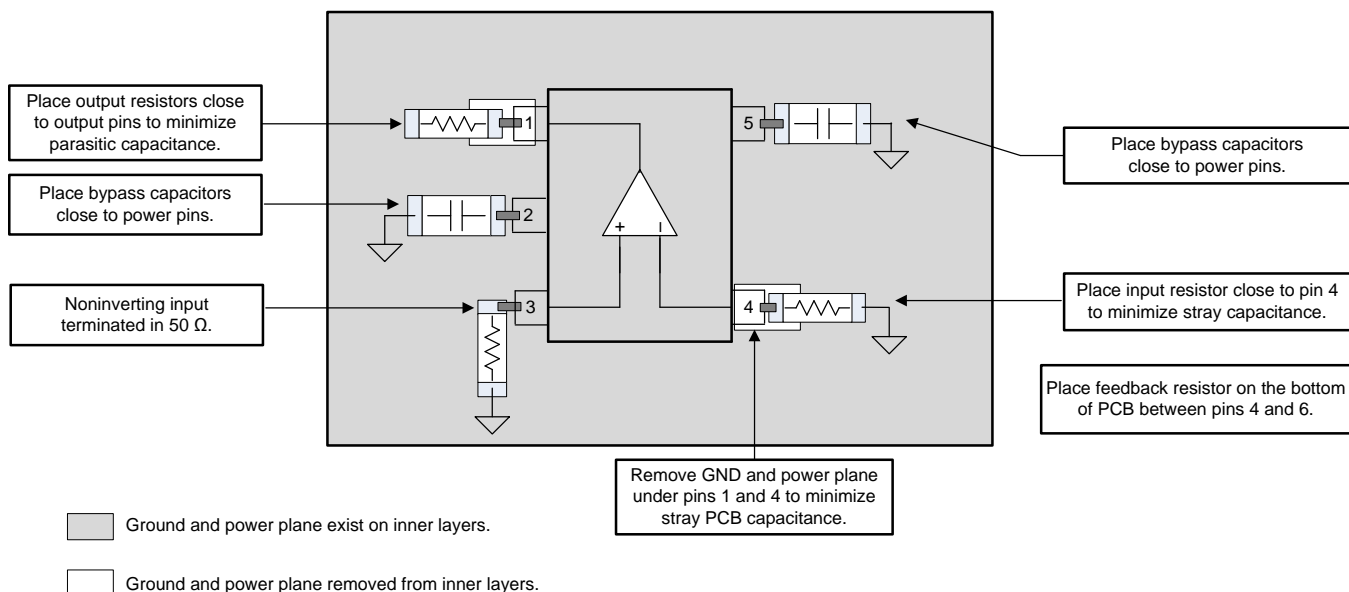


Figure 36. Example Layout

## 11 Device and Documentation Support

### 11.1 Documentation Support

#### 11.1.1 Related Documentation

For related documentation see the following:

- [OPAx380 Precision, High-Speed Transimpedance Amplifier](#)
- [OPAx354 250-MHz, Rail-to-Rail I/O, CMOS Operational Amplifiers](#)
- [OPAx300 Low-Noise, High-Speed, 16-Bit Accurate, CMOS Operational Amplifier](#)
- [OPAx355 200MHz, CMOS Operational Amplifier With Shutdown](#)
- [OPA656 Wideband, Unity-Gain Stable, FET-Input Operational Amplifier](#)
- [OPA657 1.6-GHz, Low-Noise, FET-Input Operational Amplifier](#)
- [Compensate Transimpedance Amplifiers Intuitively](#)
- [Noise Analysis of FET Transimpedance Amplifiers](#)
- [Noise Analysis for High-Speed Op Amps](#)
- [ADS8326 16-Bit, High-Speed, 2.7V to 5.5V microPower Sampling Analog-to-Digital Converter](#)
- [FilterPro™](#)

#### 11.2 Receiving Notification of Documentation Updates

To receive notification of documentation updates, navigate to the device product folder on ti.com. In the upper right corner, click on *Alert me* to register and receive a weekly digest of any product information that has changed. For change details, review the revision history included in any revised document.

#### 11.3 Community Resources

The following links connect to TI community resources. Linked contents are provided "AS IS" by the respective contributors. They do not constitute TI specifications and do not necessarily reflect TI's views; see TI's [Terms of Use](#).

**TI E2E™ Online Community** *TI's Engineer-to-Engineer (E2E) Community*. Created to foster collaboration among engineers. At e2e.ti.com, you can ask questions, share knowledge, explore ideas and help solve problems with fellow engineers.

**Design Support** *TI's Design Support* Quickly find helpful E2E forums along with design support tools and contact information for technical support.

#### 11.4 Trademarks

E2E is a trademark of Texas Instruments.

FilterPro is a trademark of Texas Instruments Incorporated.

All other trademarks are the property of their respective owners.

#### 11.5 Electrostatic Discharge Caution



This integrated circuit can be damaged by ESD. Texas Instruments recommends that all integrated circuits be handled with appropriate precautions. Failure to observe proper handling and installation procedures can cause damage.

ESD damage can range from subtle performance degradation to complete device failure. Precision integrated circuits may be more susceptible to damage because very small parametric changes could cause the device not to meet its published specifications.

#### 11.6 Glossary

[SLYZ022](#) — *TI Glossary*.

This glossary lists and explains terms, acronyms, and definitions.

## 12 Mechanical, Packaging, and Orderable Information

The following pages include mechanical, packaging, and orderable information. This information is the most current data available for the designated devices. This data is subject to change without notice and revision of this document. For browser-based versions of this data sheet, refer to the left-hand navigation.

**PACKAGING INFORMATION**

Orderable Device	Status (1)	Package Type	Package Drawing	Pins	Package Qty	Eco Plan (2)	Lead finish/ Ball material (6)	MSL Peak Temp (3)	Op Temp (°C)	Device Marking (4/5)	Samples
OPA356AQDBVRQ1	ACTIVE	SOT-23	DBV	5	3000	RoHS & Green	NIPDAU	Level-2-260C-1 YEAR	-40 to 125	OOVQ	Samples

(1) The marketing status values are defined as follows:

**ACTIVE:** Product device recommended for new designs.

**LIFEBUY:** TI has announced that the device will be discontinued, and a lifetime-buy period is in effect.

**NRND:** Not recommended for new designs. Device is in production to support existing customers, but TI does not recommend using this part in a new design.

**PREVIEW:** Device has been announced but is not in production. Samples may or may not be available.

**OBSOLETE:** TI has discontinued the production of the device.

(2) **RoHS:** TI defines "RoHS" to mean semiconductor products that are compliant with the current EU RoHS requirements for all 10 RoHS substances, including the requirement that RoHS substance do not exceed 0.1% by weight in homogeneous materials. Where designed to be soldered at high temperatures, "RoHS" products are suitable for use in specified lead-free processes. TI may reference these types of products as "Pb-Free".

**RoHS Exempt:** TI defines "RoHS Exempt" to mean products that contain lead but are compliant with EU RoHS pursuant to a specific EU RoHS exemption.

**Green:** TI defines "Green" to mean the content of Chlorine (Cl) and Bromine (Br) based flame retardants meet JS709B low halogen requirements of <=1000ppm threshold. Antimony trioxide based flame retardants must also meet the <=1000ppm threshold requirement.

(3) MSL, Peak Temp. - The Moisture Sensitivity Level rating according to the JEDEC industry standard classifications, and peak solder temperature.

(4) There may be additional marking, which relates to the logo, the lot trace code information, or the environmental category on the device.

(5) Multiple Device Markings will be inside parentheses. Only one Device Marking contained in parentheses and separated by a "-" will appear on a device. If a line is indented then it is a continuation of the previous line and the two combined represent the entire Device Marking for that device.

(6) Lead finish/Ball material - Orderable Devices may have multiple material finish options. Finish options are separated by a vertical ruled line. Lead finish/Ball material values may wrap to two lines if the finish value exceeds the maximum column width.

**Important Information and Disclaimer:** The information provided on this page represents TI's knowledge and belief as of the date that it is provided. TI bases its knowledge and belief on information provided by third parties, and makes no representation or warranty as to the accuracy of such information. Efforts are underway to better integrate information from third parties. TI has taken and continues to take reasonable steps to provide representative and accurate information but may not have conducted destructive testing or chemical analysis on incoming materials and chemicals. TI and TI suppliers consider certain information to be proprietary, and thus CAS numbers and other limited information may not be available for release.

In no event shall TI's liability arising out of such information exceed the total purchase price of the TI part(s) at issue in this document sold by TI to Customer on an annual basis.

**OTHER QUALIFIED VERSIONS OF OPA356-Q1 :**

- Catalog: [OPA356](#)

NOTE: Qualified Version Definitions:

- Catalog - TI's standard catalog product

## TAPE AND REEL INFORMATION



### QUADRANT ASSIGNMENTS FOR PIN 1 ORIENTATION IN TAPE



\*All dimensions are nominal

Device	Package Type	Package Drawing	Pins	SPQ	Reel Diameter (mm)	Reel Width W1 (mm)	A0 (mm)	B0 (mm)	K0 (mm)	P1 (mm)	W (mm)	Pin1 Quadrant
OPA356AQDBVRQ1	SOT-23	DBV	5	3000	178.0	9.0	3.3	3.2	1.4	4.0	8.0	Q3

TAPE AND REEL BOX DIMENSIONS



\*All dimensions are nominal

Device	Package Type	Package Drawing	Pins	SPQ	Length (mm)	Width (mm)	Height (mm)
OPA356AQDBVRQ1	SOT-23	DBV	5	3000	190.0	190.0	30.0





# EXAMPLE BOARD LAYOUT

DBV0005A

SOT-23 - 1.45 mm max height

SMALL OUTLINE TRANSISTOR



LAND PATTERN EXAMPLE  
EXPOSED METAL SHOWN  
SCALE:15X



SOLDER MASK DETAILS

4214839/K 08/2024

NOTES: (continued)

- 6. Publication IPC-7351 may have alternate designs.
- 7. Solder mask tolerances between and around signal pads can vary based on board fabrication site.

# EXAMPLE STENCIL DESIGN

DBV0005A

SOT-23 - 1.45 mm max height

SMALL OUTLINE TRANSISTOR



SOLDER PASTE EXAMPLE  
BASED ON 0.125 mm THICK STENCIL  
SCALE:15X

4214839/K 08/2024

NOTES: (continued)

8. Laser cutting apertures with trapezoidal walls and rounded corners may offer better paste release. IPC-7525 may have alternate design recommendations.
9. Board assembly site may have different recommendations for stencil design.

## IMPORTANT NOTICE AND DISCLAIMER

TI PROVIDES TECHNICAL AND RELIABILITY DATA (INCLUDING DATA SHEETS), DESIGN RESOURCES (INCLUDING REFERENCE DESIGNS), APPLICATION OR OTHER DESIGN ADVICE, WEB TOOLS, SAFETY INFORMATION, AND OTHER RESOURCES "AS IS" AND WITH ALL FAULTS, AND DISCLAIMS ALL WARRANTIES, EXPRESS AND IMPLIED, INCLUDING WITHOUT LIMITATION ANY IMPLIED WARRANTIES OF MERCHANTABILITY, FITNESS FOR A PARTICULAR PURPOSE OR NON-INFRINGEMENT OF THIRD PARTY INTELLECTUAL PROPERTY RIGHTS.

These resources are intended for skilled developers designing with TI products. You are solely responsible for (1) selecting the appropriate TI products for your application, (2) designing, validating and testing your application, and (3) ensuring your application meets applicable standards, and any other safety, security, regulatory or other requirements.

These resources are subject to change without notice. TI grants you permission to use these resources only for development of an application that uses the TI products described in the resource. Other reproduction and display of these resources is prohibited. No license is granted to any other TI intellectual property right or to any third party intellectual property right. TI disclaims responsibility for, and you will fully indemnify TI and its representatives against, any claims, damages, costs, losses, and liabilities arising out of your use of these resources.

TI's products are provided subject to [TI's Terms of Sale](#) or other applicable terms available either on [ti.com](https://www.ti.com) or provided in conjunction with such TI products. TI's provision of these resources does not expand or otherwise alter TI's applicable warranties or warranty disclaimers for TI products.

TI objects to and rejects any additional or different terms you may have proposed.

Mailing Address: Texas Instruments, Post Office Box 655303, Dallas, Texas 75265  
Copyright © 2024, Texas Instruments Incorporated